



US00D974835S

(12) **United States Design Patent**  
**Xie**

(10) **Patent No.:** **US D974,835 S**  
(45) **Date of Patent:** **\*\* Jan. 10, 2023**

(54) **CRUSHED DIAMOND FLATWARE HANDLE**

(71) Applicant: **Shiyong Xie**, Heyuan (CN)

(72) Inventor: **Shiyong Xie**, Heyuan (CN)

(\*\*) Term: **15 Years**

(21) Appl. No.: **29/823,101**

(22) Filed: **Jan. 14, 2022**

(51) **LOC (14) Cl.** ..... **07-03**

(52) **U.S. Cl.**  
USPC ..... **D7/401.2**; D7/642; D7/645; D7/653

(58) **Field of Classification Search**  
USPC ..... D7/368, 401.2, 642–645, 653–664, 669,  
D7/675–677, 681, 683, 688–689, 691;  
D8/107, 300–301; D22/117–118;  
D24/147

CPC ... A01D 9/02; A01D 9/04; A01D 9/06; A47G  
21/00; A47G 21/004; A47G 21/005;  
A47G 21/02; A47G 21/023; A47G 21/04;  
A47G 21/06; A47G 21/08; A47J 43/28;  
A47J 43/281; A47J 43/282; A61F 13/10;  
A61J 7/0023; B25G 1/00; B25G 1/01;  
B25G 1/02; B25G 3/00; B65D 75/56;  
B65D 75/563; B65D 75/566; B67B 7/00;  
B67B 7/724; B67B 7/73

See application file for complete search history.

(56) **References Cited**

**U.S. PATENT DOCUMENTS**

D208,817 S *	10/1967	Doerfler	.....	D7/662
D212,126 S *	8/1968	Conland	.....	D7/662
D226,735 S *	4/1973	Navara	.....	D7/649
D602,312 S *	10/2009	Footman	.....	D7/645
D703,483 S *	4/2014	Lee	.....	D7/401.2
D898,513 S	10/2020	Shane-Schuldt		
D898,514 S *	10/2020	Shane-Schuldt	.....	D7/645
D911,106 S *	2/2021	Powers	.....	D7/645
2005/0210683 A1 *	9/2005	Philbrook	.....	A47G 21/00

30/322

**OTHER PUBLICATIONS**

SHYFOY Luxury Crushed Diamond Flatware. Date First Available on Amazon.com May 11, 2021. <https://www.amazon.com/dp/B094NQPJWY/ref> (Year: 2021).\*

\* cited by examiner

*Primary Examiner* — Ricky Pham

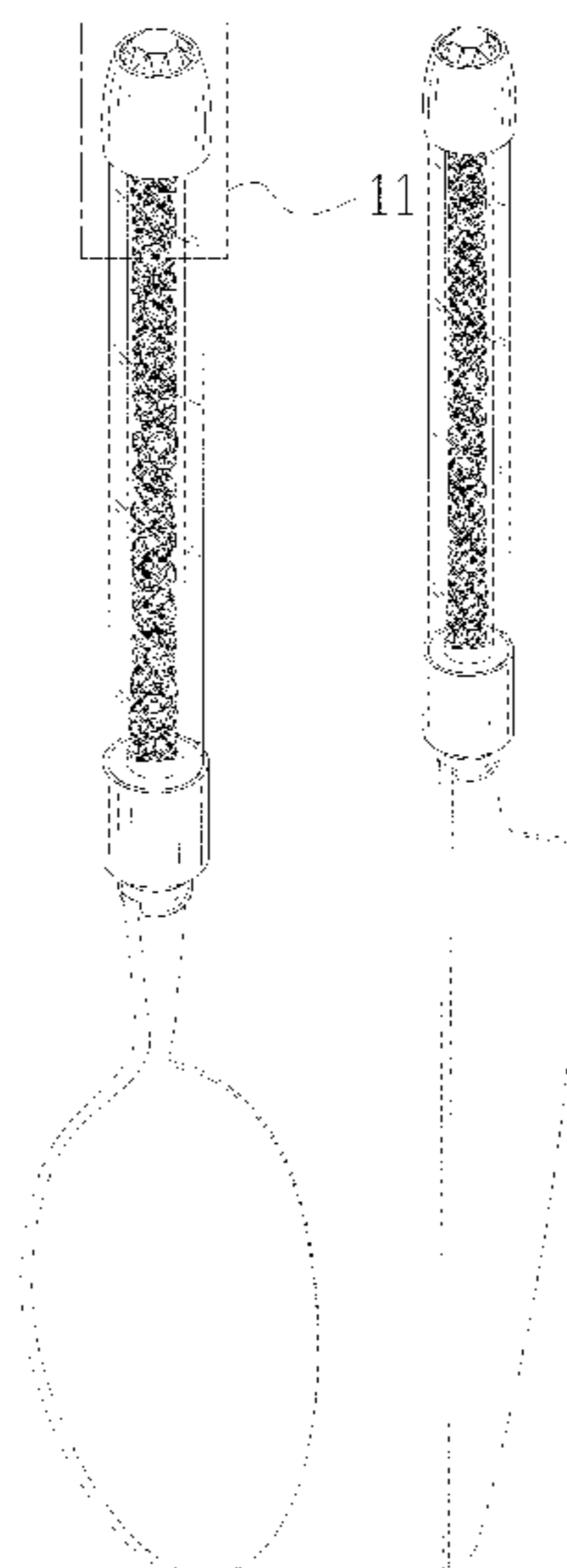
(57) **CLAIM**

The ornamental design for a crushed diamond flatware handle, as shown and described.

**DESCRIPTION**

FIG. 1 is a perspective view of a crushed diamond flatware handle showing my new design where the crushed diamond flatware handle is in a first configuration of use;  
 FIG. 2 is another perspective view thereof;  
 FIG. 3 is a front elevational view thereof;  
 FIG. 4 is a rear elevational view thereof;  
 FIG. 5 is a left side elevational view thereof;  
 FIG. 6 is a right side elevational view thereof;  
 FIG. 7 is a top plan view thereof;  
 FIG. 8 is a bottom plan view thereof;  
 FIG. 9 is a perspective view of the crushed diamond flatware handle where the crushed diamond flatware handle is in a second configuration of use;  
 FIG. 10 is a perspective view of the crushed diamond flatware handle where the crushed diamond flatware handle is in a third configuration of use; and,  
 FIG. 11 is an enlarged view of portion 11 shown in FIG. 1.  
 The dash-dash broken lines in the drawings depict environment of the crushed diamond flatware handle that form no part of the claimed design. The dot-dash broken lines represent boundaries of the enlarged portion and form no part of the claimed design.

**1 Claim, 11 Drawing Sheets**



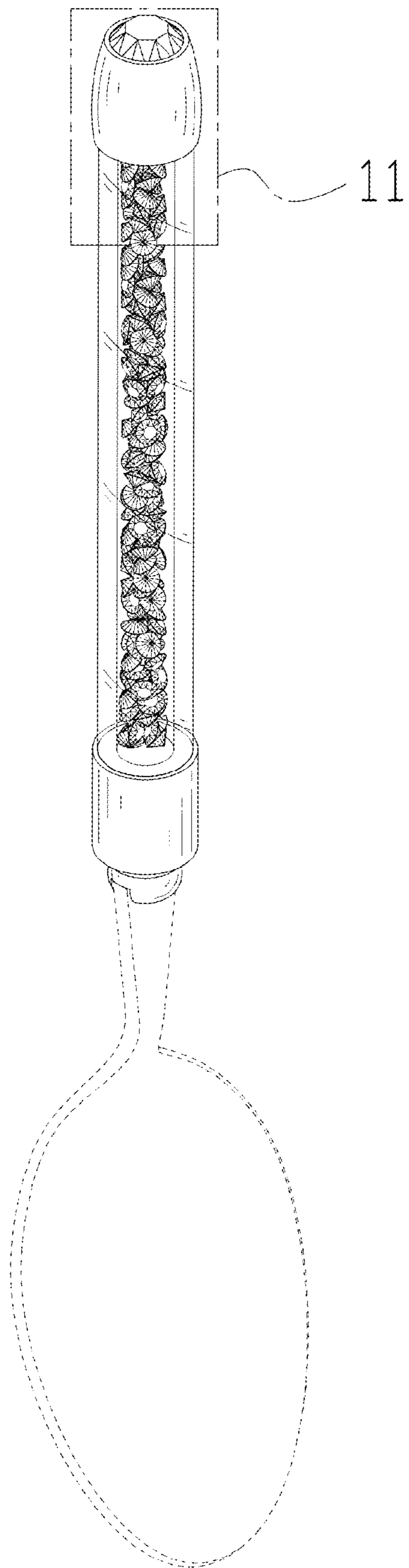


FIG. 1

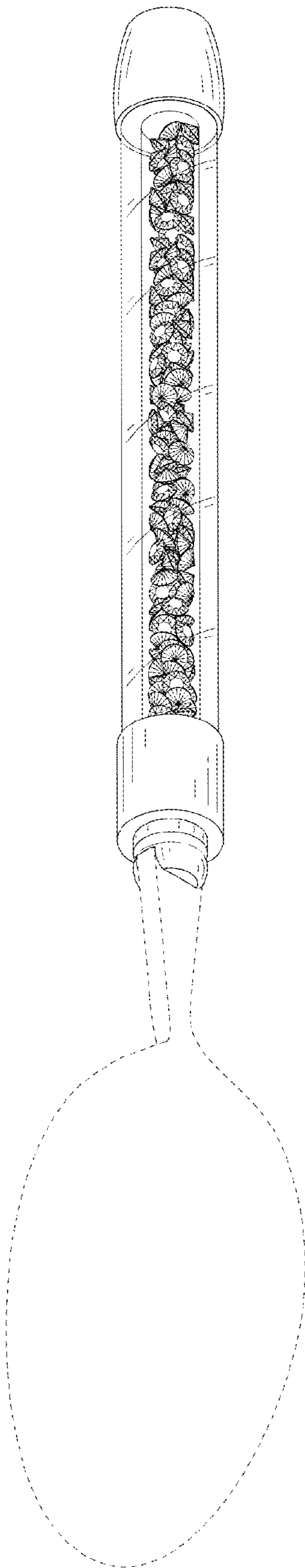


FIG. 2

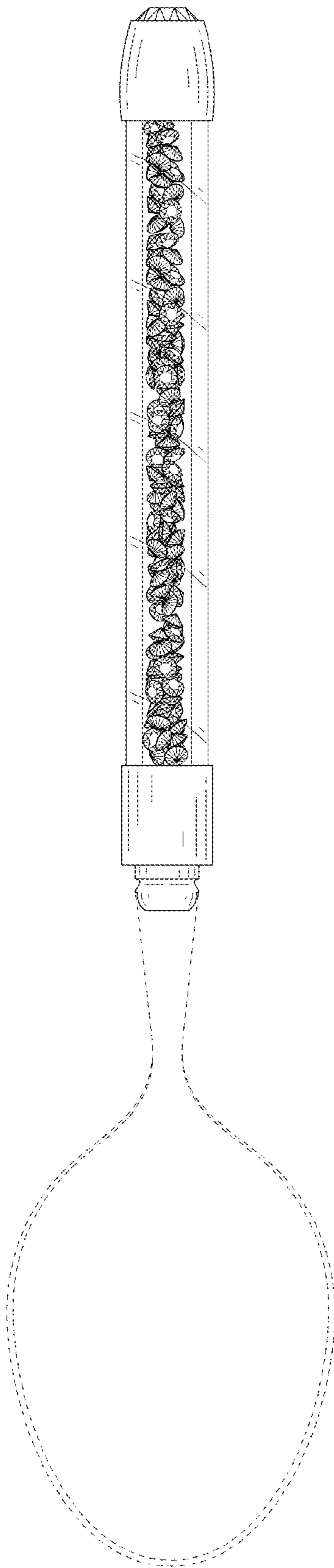


FIG. 3

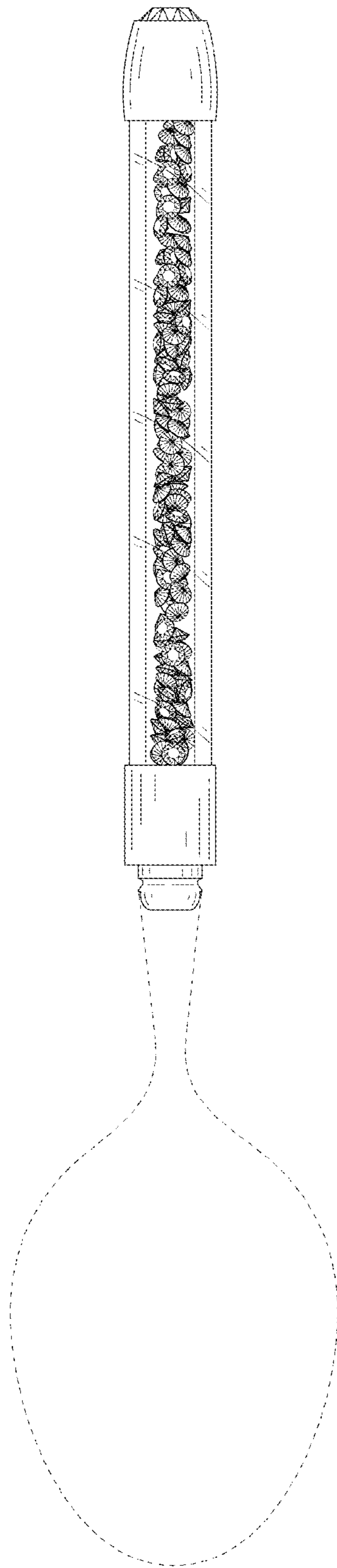


FIG. 4

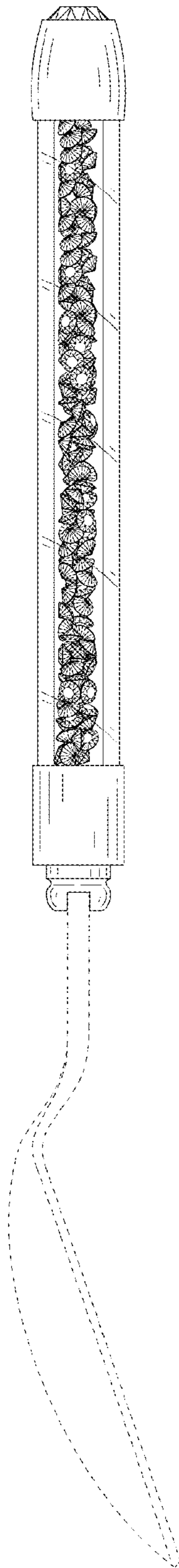


FIG. 5

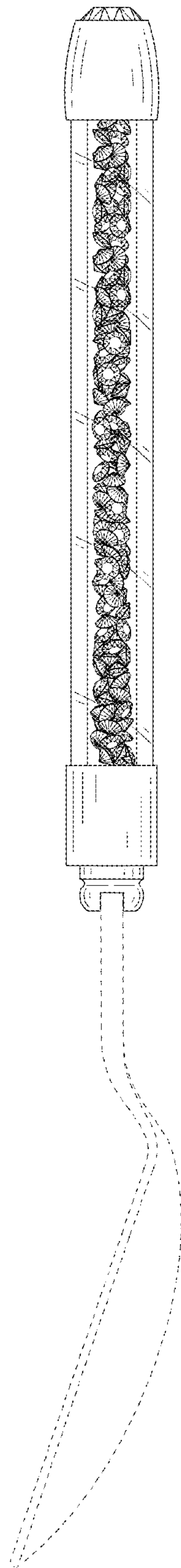


FIG. 6

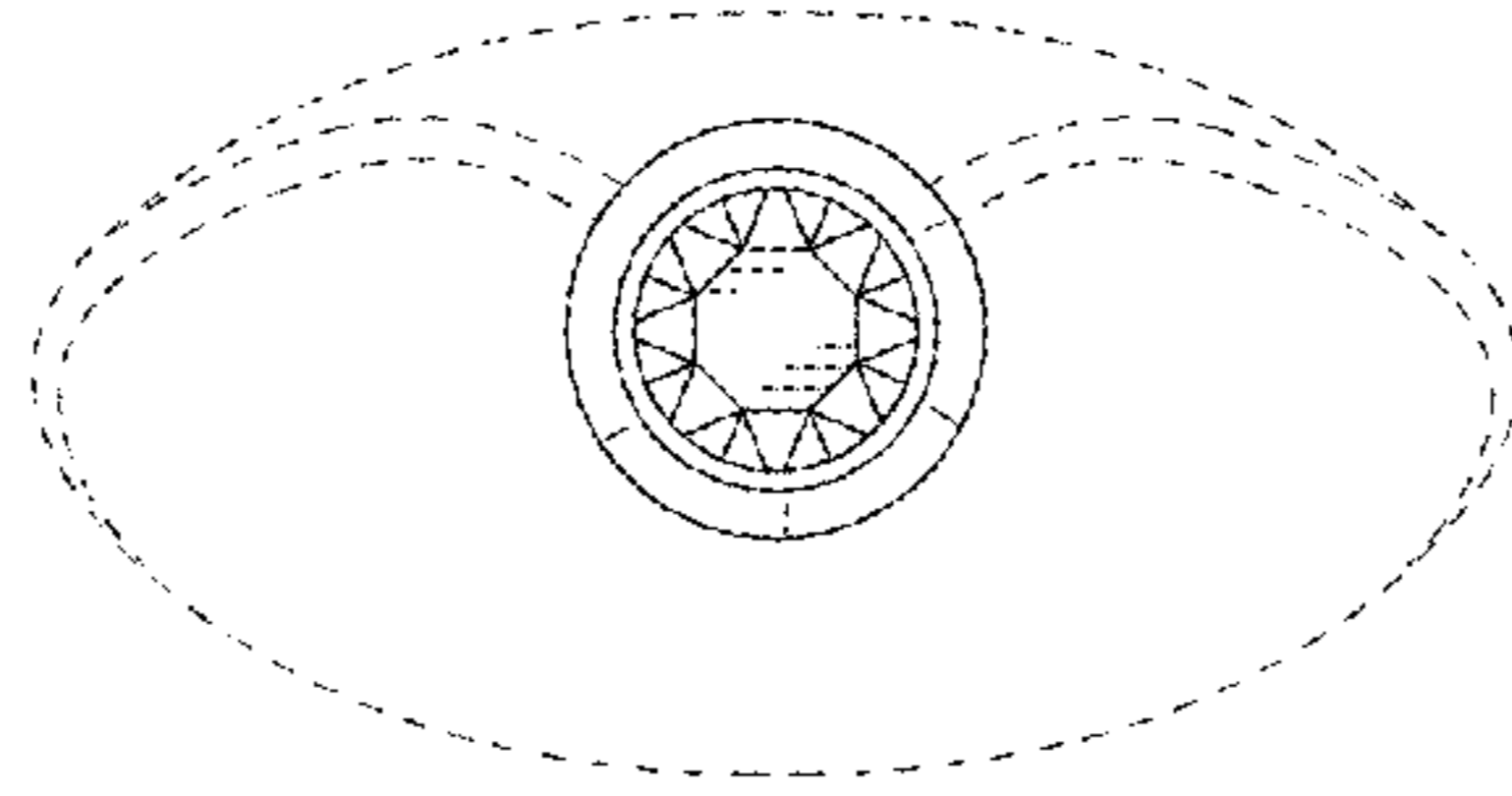


FIG. 7



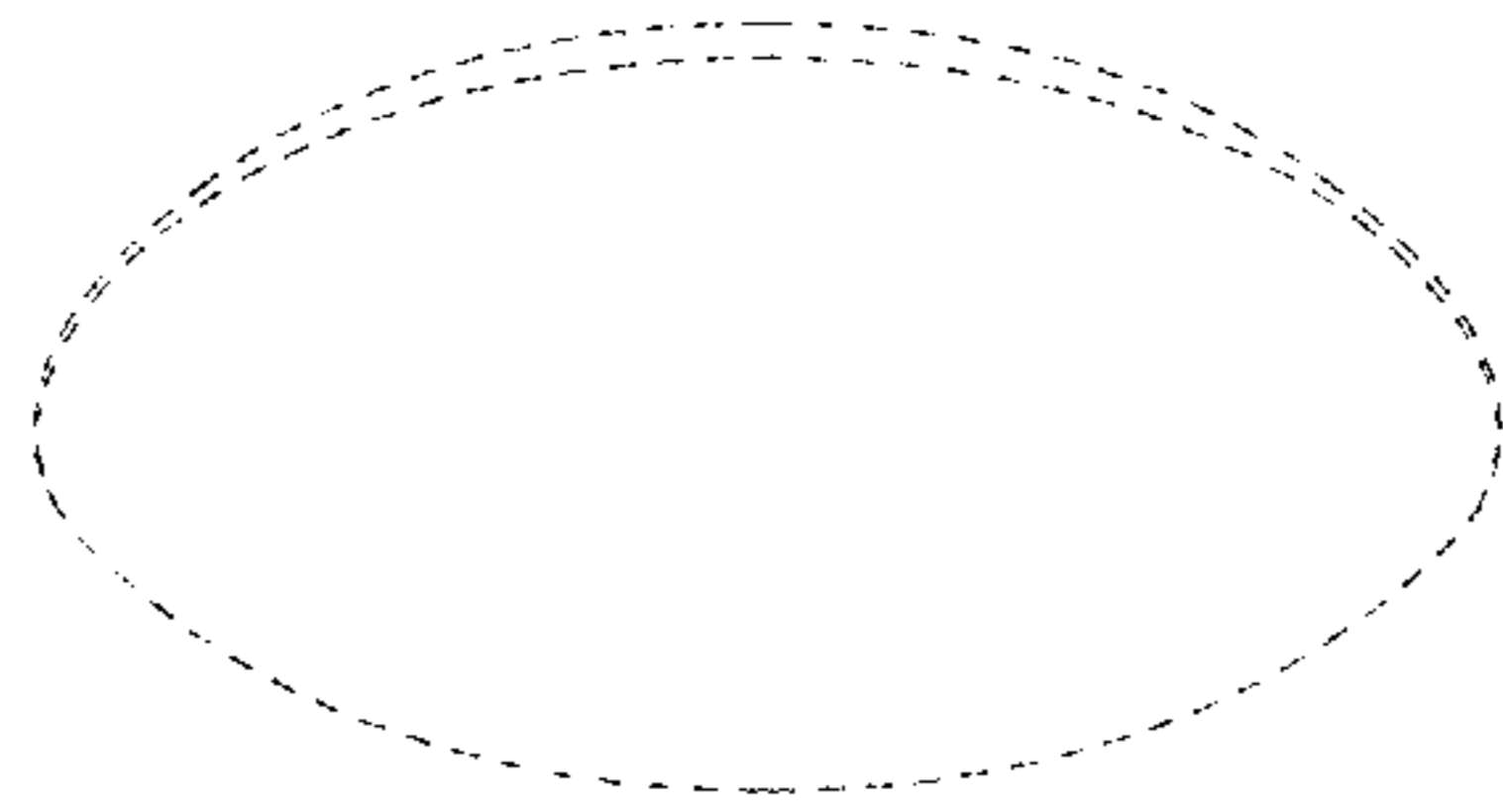


FIG. 8

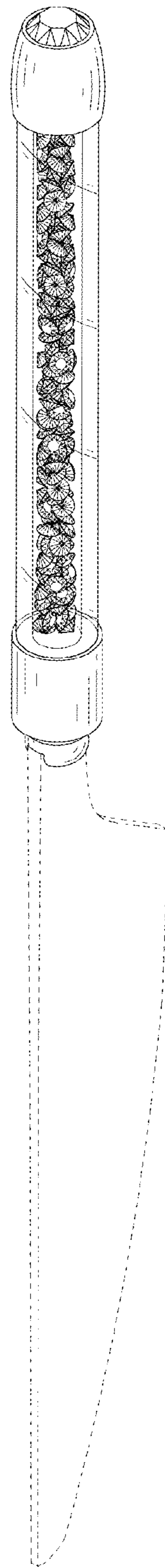


FIG. 9

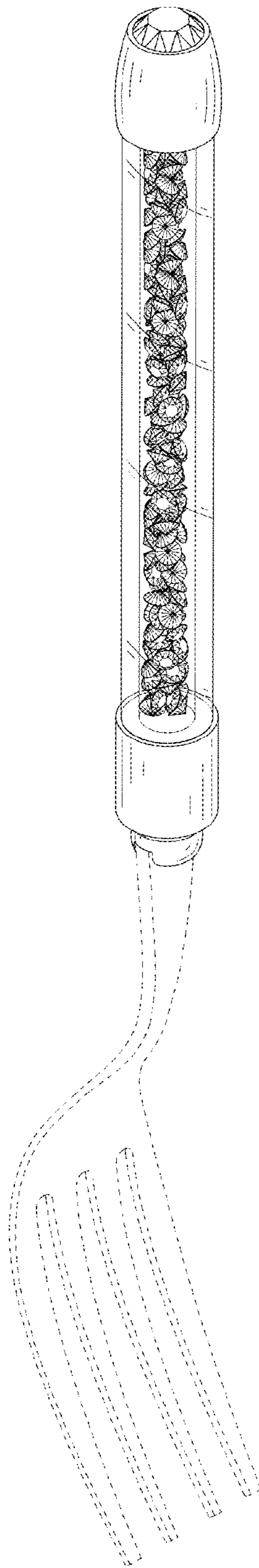


FIG. 10

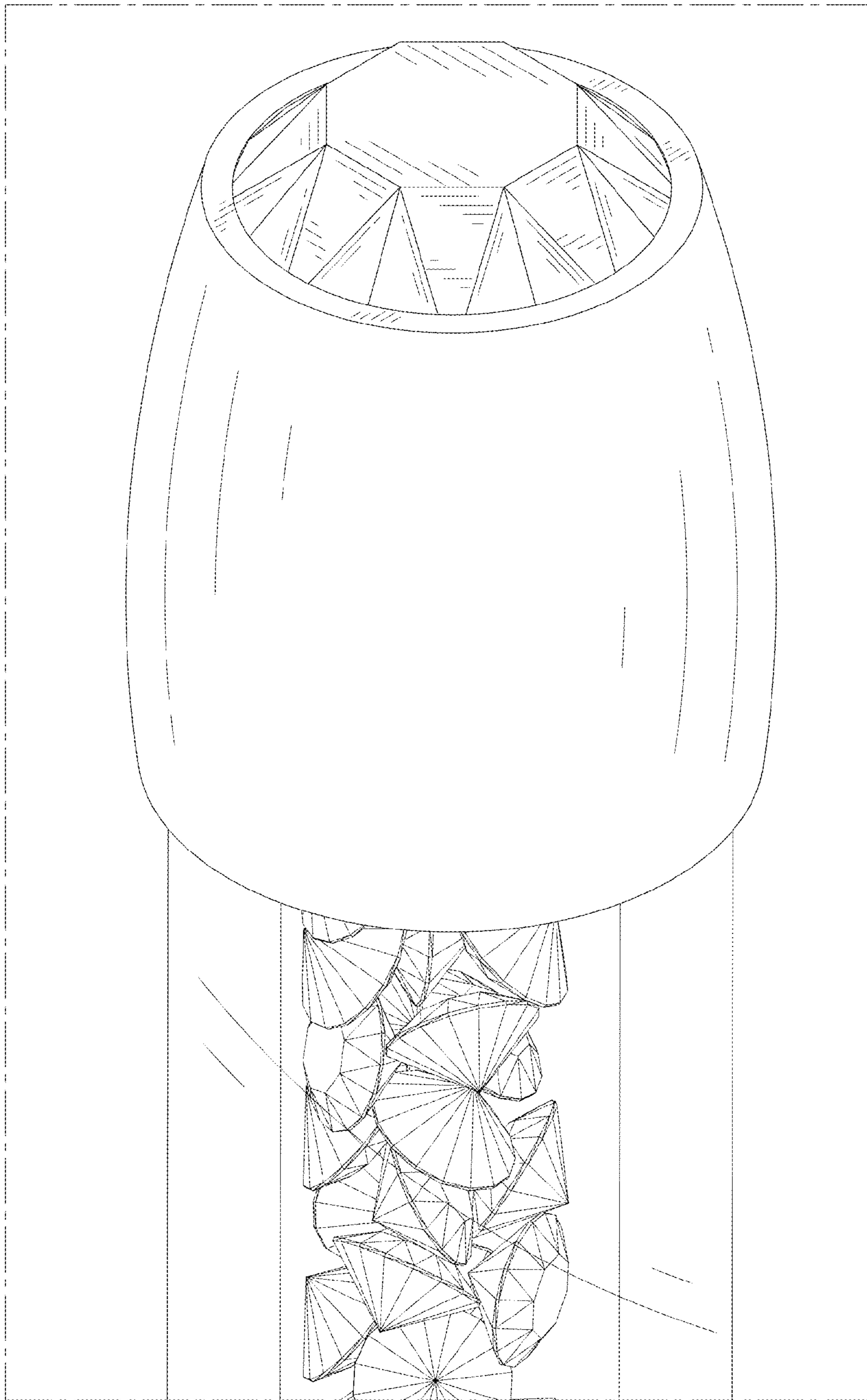


FIG. 11