



US00D974833S

(12) **United States Design Patent**  
**Chen**

(10) **Patent No.:** **US D974,833 S**  
(45) **Date of Patent:** **\*\* Jan. 10, 2023**

(54) **STAND TOP**

- (71) Applicant: **Tiff's Treats Holdings, Inc.**, Austin, TX (US)
- (72) Inventor: **Leon Chen**, Austin, TX (US)
- (73) Assignee: **Tiff's Treats Holdings, Inc.**, Austin, TX (US)
- (\*\*) Term: **15 Years**
- (21) Appl. No.: **29/694,392**
- (22) Filed: **Jun. 10, 2019**

**Related U.S. Application Data**

- (63) Continuation of application No. 29/606,647, filed on Jun. 6, 2017, now Pat. No. Des. 850,862.
- (51) **LOC (14) Cl.** ..... **07-99**
- (52) **U.S. Cl.**  
USPC ..... **D7/396.1**
- (58) **Field of Classification Search**  
USPC ..... D7/550.1, 554.1, 554.4, 558, 396.1, D7/396.6, 401.2, 403; D6/363, 661.1, D6/676, 693, 685, 698, 699, 699.1, 702, D6/707, 707.21, 707.24, 707.26, 708, D6/708.17; D9/414, 424, 425, 430, 431; D21/334, 363, 364, 368, 483, 484, 485, D21/504, 505  
CPC . A47B 21/00; A47B 2021/0307; A47B 23/00; A47B 31/00; A47J 47/00; A47J 47/005; A47J 47/16; A47G 19/00; A47G 19/02; A47G 23/06  
See application file for complete search history.

(56) **References Cited**

**U.S. PATENT DOCUMENTS**

- 115,456 A 5/1871 Fisher
- 135,696 A 2/1873 Dakin

(Continued)

**OTHER PUBLICATIONS**

Triangular Stand | posted at chairish.com, no posting date, [online], [site visited May 20, 2022]. Available from Internet, <URL: https://www.chairish.com/product/2360756/1980s-artisan-studio-made-triangular-stand-with-slate-top> (Year: 2022).\*

(Continued)

*Primary Examiner* — Andrew Kerr

(74) *Attorney, Agent, or Firm* — Norton Rose Fulbright US LLP

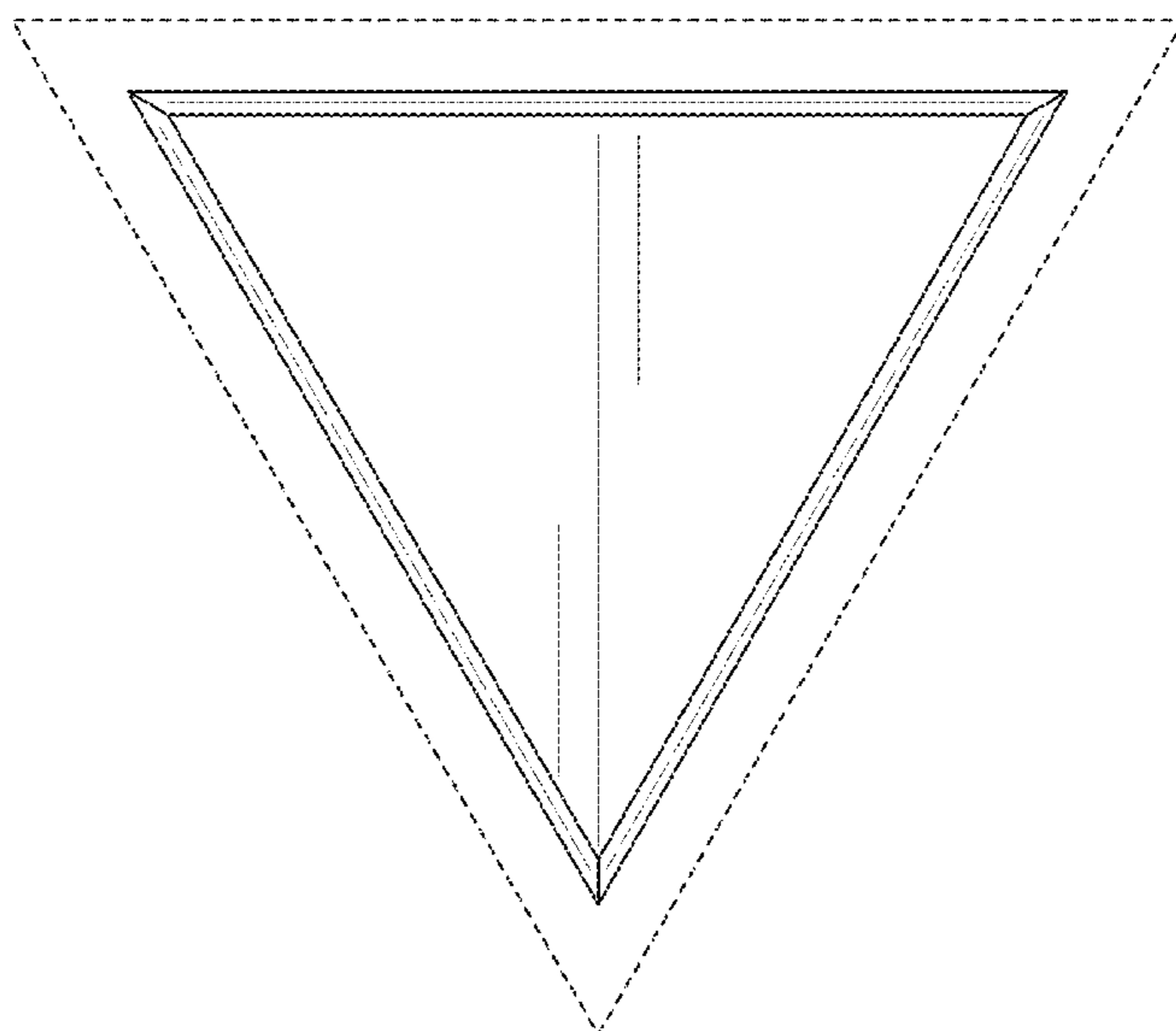
(57) **CLAIM**

The ornamental design for a stand top, as shown and described.

**DESCRIPTION**

FIG. 1 is a top view of a stand top showing my new design; and, FIG. 2 is a front view thereof, the views after rotating the stand 120 degrees in either direction about a longitudinal axis that is centered within and extends through the stand's top, from top to bottom, being identical. The shape of the stand top showing my new design is symmetrical about each of three planes that are positioned: (a) at 120 degree angles to each other, and (b) perpendicular to the sheet depicting FIG. 1, where one of the planes bisects equally the left and right sides of the stand top in FIG. 1. Each of the three side surfaces that meets the top surface of the stand top along an edge is planar. The stand top is intended to be part of a stand placed on a tray and used as a support for the tray cover and possibly one or more stacked trays, for items such as edible items. The broken lines showing portions of the stand top in the figures are for the purpose of illustrating environmental structure only and form no part of the claimed design.

**1 Claim, 2 Drawing Sheets**



(56)

References Cited

U.S. PATENT DOCUMENTS

197,931 A 12/1877 Haight  
 500,839 A 7/1893 Anthony  
 938,242 A 10/1909 Johnston  
 D47,966 S 10/1915 Reischmann  
 1,570,651 A 1/1926 Topping et al.  
 1,955,919 A 4/1934 Kress  
 2,689,050 A 9/1954 Albin  
 2,841,272 A \* 7/1958 Dreier ..... A47F 3/005  
 206/278  
 2,902,174 A 9/1959 Audsley  
 D194,325 S 1/1963 Swett  
 D197,981 S 4/1964 Miller  
 3,146,906 A 9/1964 Swett  
 D200,117 S 1/1965 Kolarik  
 3,169,496 A 2/1965 Muggli et al.  
 D240,343 S 6/1976 Moore, Jr.  
 D246,022 S 10/1977 Mathur  
 4,385,467 A \* 5/1983 Samuels ..... A63F 9/12  
 446/99  
 D272,212 S 1/1984 Daenen et al.  
 D272,215 S 1/1984 Daenen et al.  
 D283,856 S 5/1986 Elmaleh  
 D289,839 S 5/1987 Kouzoujian  
 4,787,163 A \* 11/1988 Berg ..... G09F 21/042  
 40/592  
 D354,862 S 1/1995 Goldberg  
 D367,979 S 3/1996 Lewis  
 D376,758 S \* 12/1996 Bradfield ..... D9/430  
 D389,347 S 1/1998 Muller  
 D389,674 S 1/1998 Muller  
 D418,412 S \* 1/2000 Komatsu ..... D9/433  
 D436,270 S 1/2001 Kane  
 D441,258 S 5/2001 Spiegelman  
 D448,232 S \* 9/2001 Wilkinson ..... D6/613  
 D465,155 S \* 11/2002 Weinstein ..... D9/430  
 D538,357 S 3/2007 Salmon  
 D545,241 S \* 6/2007 Poteet ..... D11/132  
 D560,974 S 2/2008 Goode et al.  
 D577,962 S 10/2008 Bauer et al.  
 D585,670 S \* 2/2009 Gharabegian ..... D6/693  
 D634,366 S \* 3/2011 Squillante ..... D20/10  
 D644,045 S \* 8/2011 Oster ..... D6/708

D647,713 S 11/2011 Unterrainer et al.  
 D653,557 S \* 2/2012 Anton Villa ..... D9/416  
 D664,010 S 7/2012 Goode et al.  
 D668,464 S 10/2012 Du  
 D669,759 S \* 10/2012 Castilleja ..... D9/456  
 8,276,524 B2 10/2012 Goode et al.  
 D670,196 S 11/2012 Dunn  
 D671,368 S 11/2012 Stewart et al.  
 1,047,882 A1 12/2012 Beach  
 D677,935 S \* 3/2013 Pirayesh ..... D6/676  
 D683,192 S 5/2013 Schwartz et al.  
 D683,214 S \* 5/2013 McAdam ..... D9/433  
 D683,975 S 6/2013 Starck et al.  
 D690,949 S 10/2013 Lievore et al.  
 D707,493 S 6/2014 Frei  
 D733,468 S \* 7/2015 Marco ..... D6/661.1  
 D763,464 S 8/2016 Li et al.  
 D767,925 S \* 10/2016 Blagmon, Jr. .... D6/693  
 D788,584 S 6/2017 Chen et al.  
 1,235,689 A1 8/2017 Hoag  
 D801,979 S 11/2017 Seo et al.  
 D804,582 S \* 12/2017 Exley ..... D21/483  
 D811,101 S 2/2018 Liu  
 D825,965 S 8/2018 Hendifar et al.  
 D849,530 S \* 5/2019 Fremgen ..... D9/737  
 D900,249 S \* 10/2020 Hwang ..... D21/505  
 D904,018 S \* 12/2020 Ziemann ..... D3/272  
 D926,565 S \* 8/2021 Beckmann Legorreta .... D9/430  
 1,401,057 A1 12/2021 Elliott

OTHER PUBLICATIONS

Printout showing pedestal tables, retrieved from archive.org with an apparent capture date of Feb. 17, 2014—<https://web.archive.org/web/20140217160941/http://www.knoll.com/designer/Eero-Saarinen>. Triangle End Table | Posted at fesdecor.com, posted on Sep. 9, 2016 [online], [site visited Sep. 23, 2018]. Available from Internet, <URL: <https://fesdecor.com/a-gallery-of-18-nice-triangle-end-table-designs/modern-minimalist-thick-wood-triangle-end-table-with-base/>> (Year: 2016). Triangle cocktail stand | posted at premiereeventsonline.com, no posting date [online], [site visited Sep. 23, 2018]. Available from Internet, <URL: <https://www.premiereeventsonline.com/product/triang-cocktail-table/>> (Year: 2018).

\* cited by examiner

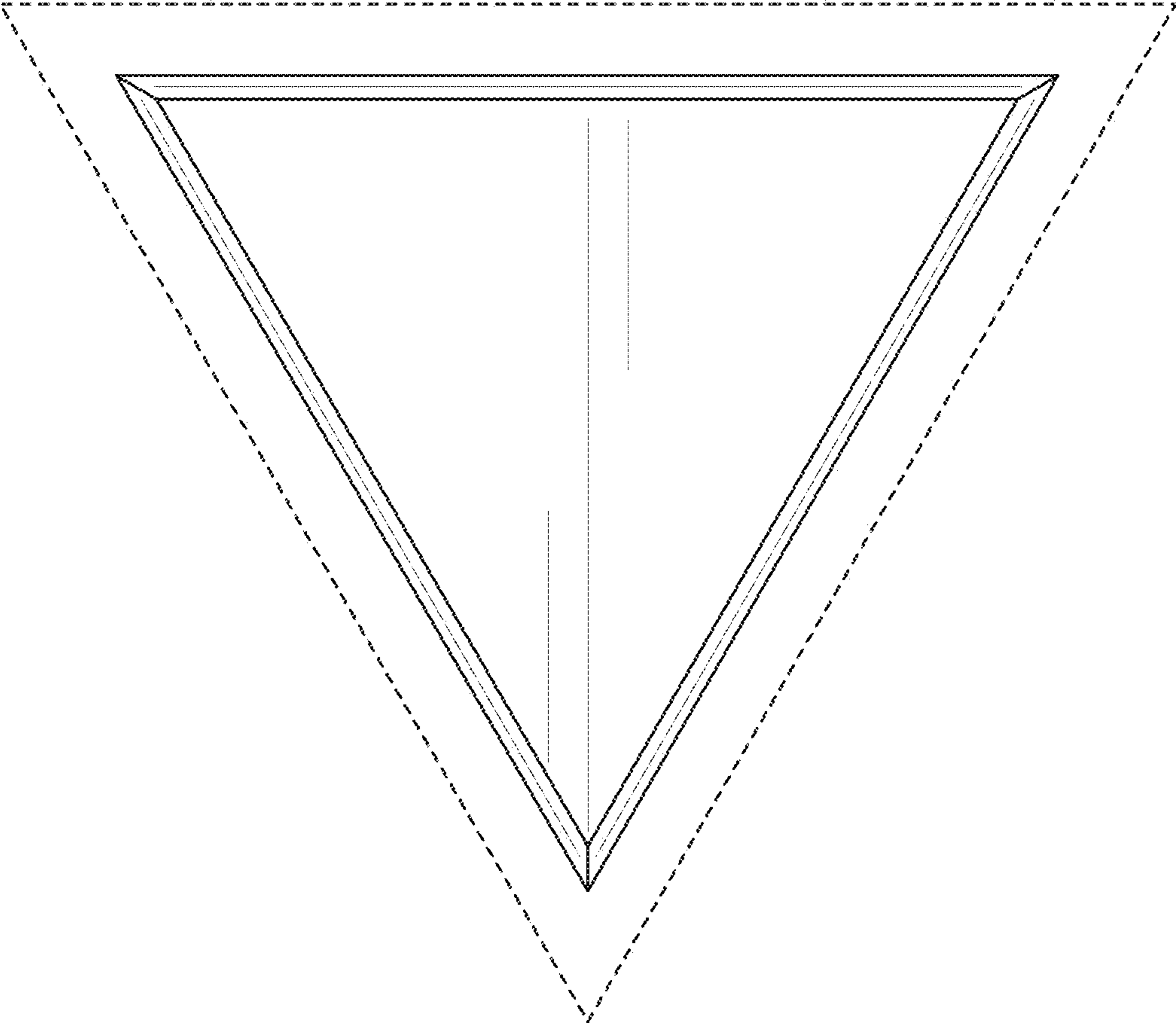


FIG. 1

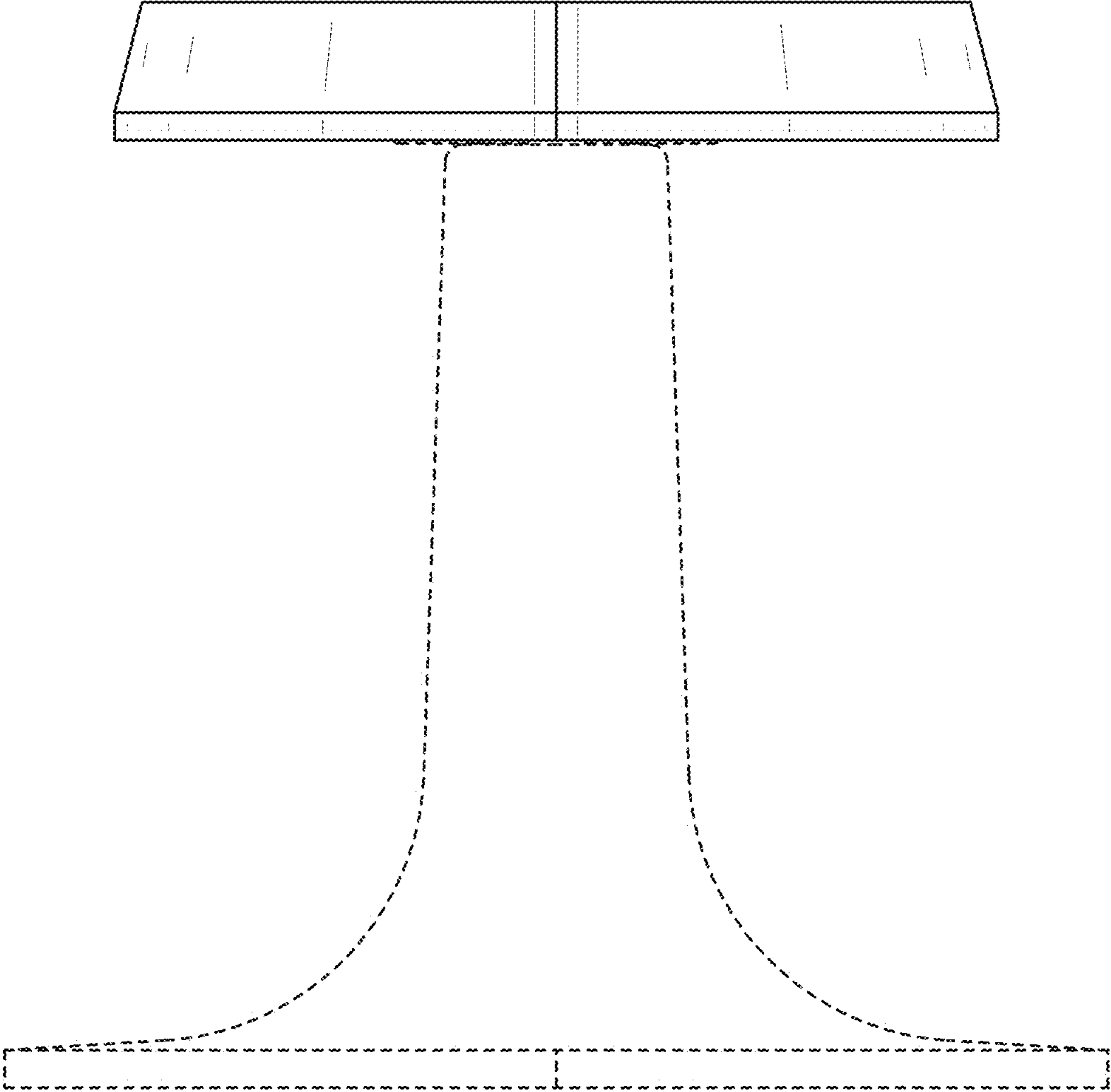


FIG. 2