



US00D974829S

(12) **United States Design Patent**
Peng

(10) **Patent No.:** **US D974,829 S**

(45) **Date of Patent:** **** Jan. 10, 2023**

(54) **LID FOR WATER BOTTLE**
(71) Applicant: **Shenzhen Too Feel Plastic & Hardware Co., Ltd, Guangdong (CN)**

D897,760 S * 10/2020 Feng D9/453
D897,763 S * 10/2020 Feng D9/453
D900,537 S * 11/2020 Yao D7/392.1
D900,538 S * 11/2020 Yao D7/392.1

(Continued)

(72) Inventor: **Guo Peng, Guangdong (CN)**

FOREIGN PATENT DOCUMENTS

(73) Assignee: **Shenzhen Too Feel Plastic & Hardware Co., Ltd, Shenzhen (CN)**

CN 305354322 * 9/2019
CN 306063183 * 9/2020

(Continued)

(**) Term: **15 Years**

OTHER PUBLICATIONS

(21) Appl. No.: **29/760,490**

Fidus [online] URL: <https://www.amazon.com/Fidus-Leakproof-Tritan-BPA-Free-Motivational/dp/B08KZP7VDN> (site visited: May 31, 2022) (Year: 2020).*

(22) Filed: **Dec. 1, 2020**

(Continued)

(30) **Foreign Application Priority Data**

Aug. 20, 2020 (CN) 202030480035.6

(51) **LOC (14) Cl.** **07-01**

(52) **U.S. Cl.**
USPC **D7/392.1; D9/449**

(58) **Field of Classification Search**
USPC D7/507, 509, 510, 511, 533, 536, 392.1, D7/396.1, 396.2, 608, 900; D30/132, D30/121, 122, 123, 124, 125, 126, 127, D30/128, 129, 130, 131, 133; D9/443, D9/449, 561; D3/202; D29/125, 126
CPC A47G 19/2205; A47G 23/16; A47G 19/2272; A47J 41/00; A47J 41/02; A47J 41/0077; Y10S 220/903; B65D 21/02; B65D 43/00; B65D 41/00
See application file for complete search history.

Primary Examiner — Jae Liang
Assistant Examiner — Tia Ruth-Renee Polidori

(57) **CLAIM**

The ornamental design for a lid for water bottle, as shown and described.

DESCRIPTION

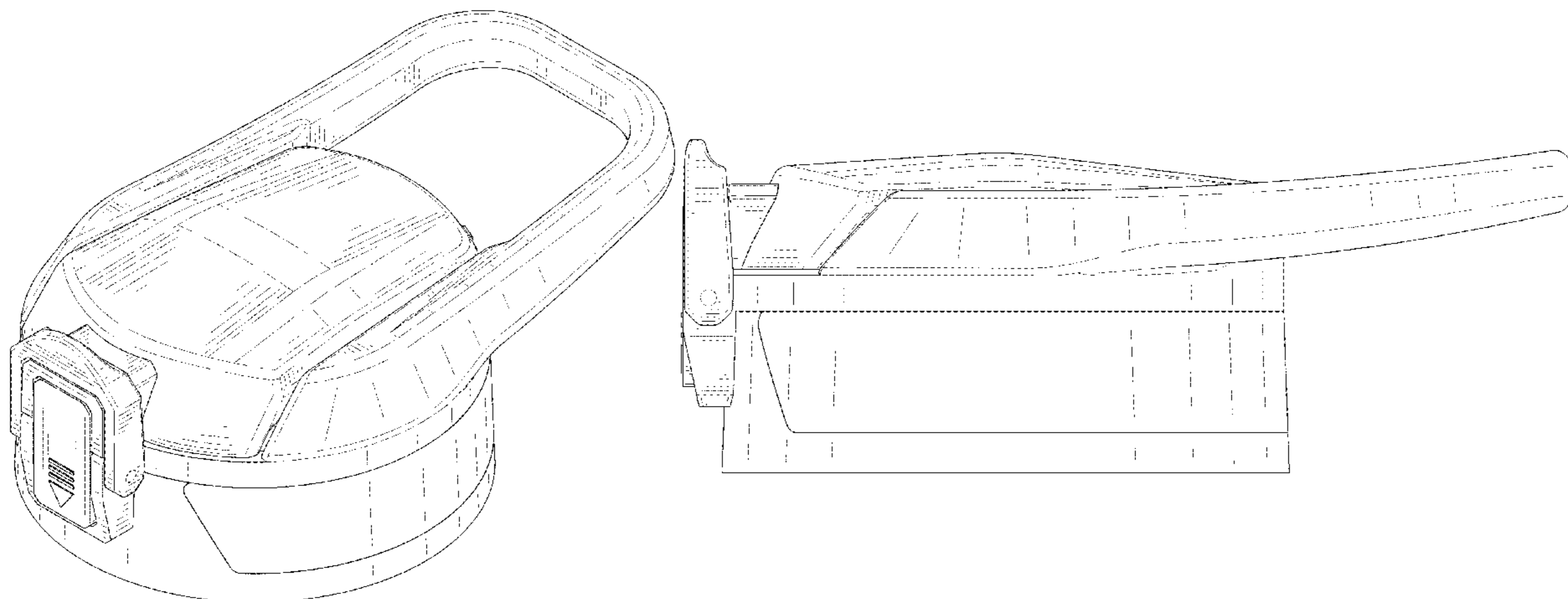
FIG. 1 is a top, front and left side perspective view of a lid for water bottle showing my new design;
FIG. 2 is a bottom, rear and right side perspective view thereof;
FIG. 3 is a top, front and right side perspective view thereof;
FIG. 4 is a front elevational view thereof;
FIG. 5 is a rear elevational view thereof;
FIG. 6 is a left side view thereof;
FIG. 7 is a right side view thereof;
FIG. 8 is a top plan view thereof; and,
FIG. 9 is a bottom plan view thereof.
The broken lines in the drawings illustrate portions of the lid for water bottle which form no part of the claimed design.

(56) **References Cited**

U.S. PATENT DOCUMENTS

D719,780 S * 12/2014 Sullivan D7/392.1
D817,084 S * 5/2018 Hammer D7/392.1
D879,550 S * 3/2020 Lane D7/392
D884,419 S * 5/2020 Backs D7/397

1 Claim, 9 Drawing Sheets



(56)

References Cited

OTHER PUBLICATIONS

U.S. PATENT DOCUMENTS

D915,821 S * 4/2021 Ludolph D7/392.1
 D922,136 S * 6/2021 Lin D9/449
 D923,394 S * 6/2021 Gu D7/392.1
 D923,396 S * 6/2021 Lin D7/392.1
 D925,279 S * 7/2021 Wang D7/396.2
 D935,266 S * 11/2021 Chen D7/392.1
 D936,413 S * 11/2021 Omdahl, II D9/449
 D942,210 S * 2/2022 Wang D7/392.1
 D947,597 S * 4/2022 Shi D7/392.1
 D948,280 S * 4/2022 Beckwith D7/392.1
 D954,493 S * 6/2022 Harris D7/392.1
 D954,495 S * 6/2022 Wang D7/392.1

FOREIGN PATENT DOCUMENTS

CN 306529644 * 5/2021
 CN 306594544 * 6/2021
 CN 306879654 * 10/2021
 CN 307381843 * 6/2022
 CN 307530925 * 9/2022

H2O Capsule [online] URL: <https://www.amazon.com/H2O-Capsule-Motivational-workout-Pregnancy/dp/B08QDRPQ67> (site visited: May 31, 2022) (Year: 2020).*

Paser [online] URL: <https://www.amazon.com/PASER-Motivational-32-Leakproof-Portable/dp/B0933776HJ> (site visited: May 31, 2022) (Year: 2021).*

Venture Pal [online] URL: <https://www.amazon.com/Venture-Pal-Motivational-Leakproof-Style-Green/dp/BOSVRZRZKY> (site visited: May 31, 2022) (Year: 2021).*

Alibaba [online] URL: https://www.alibaba.com/product-detail/Portable-Leak-Proof-Custom-Logo-Sport_1600518192486.html?spm=a2700.shop_plgr.41413.28.5fe15624Uk6Ygq (site visited: May 31, 2022) (Year: 2022).*

Kepto [online] URL: <https://www.amazon.com/KEEPTO-Gallon-Bottle-Marker-Motivational/dp/B09YGT942H> (site visited: May 31, 2022) (Year: 2022).*

H2O Capsule [online] URL: <https://www.h2ocapsule.com/products/black-replacement-straw-lid-h2o-capsule> (site visited: Sep. 16, 2022) (Year: 2022).*

* cited by examiner

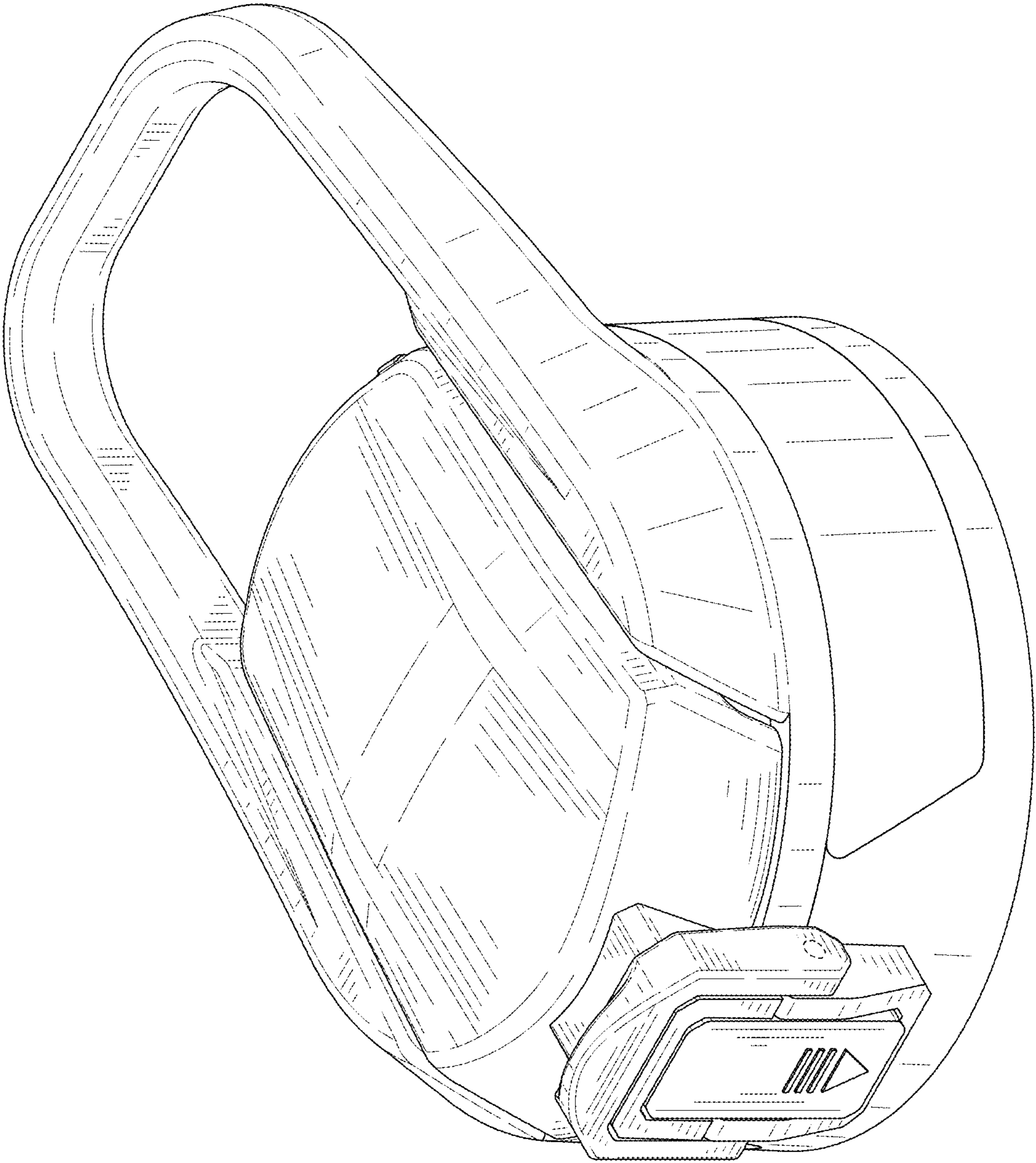


FIG. 1

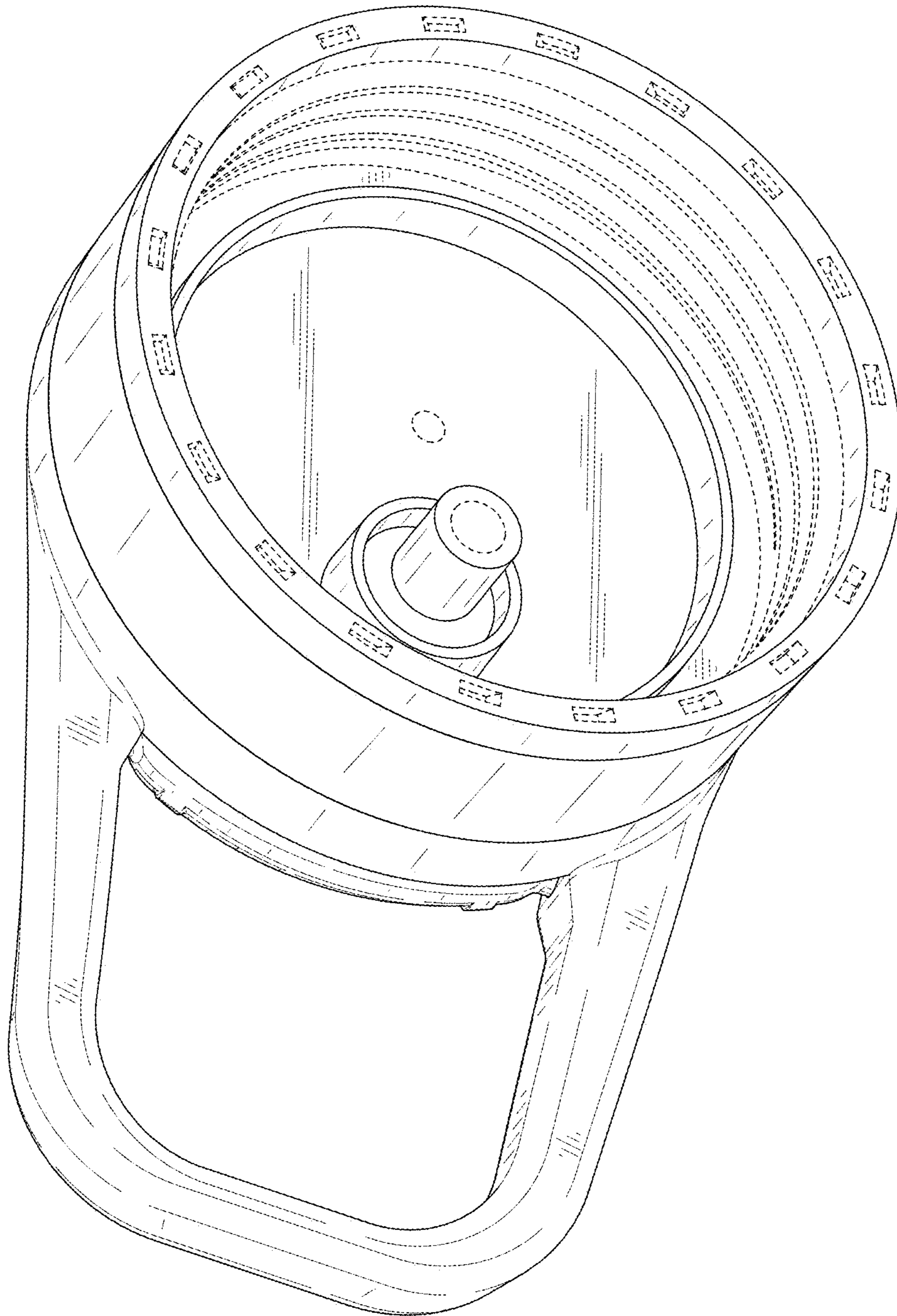


FIG. 2

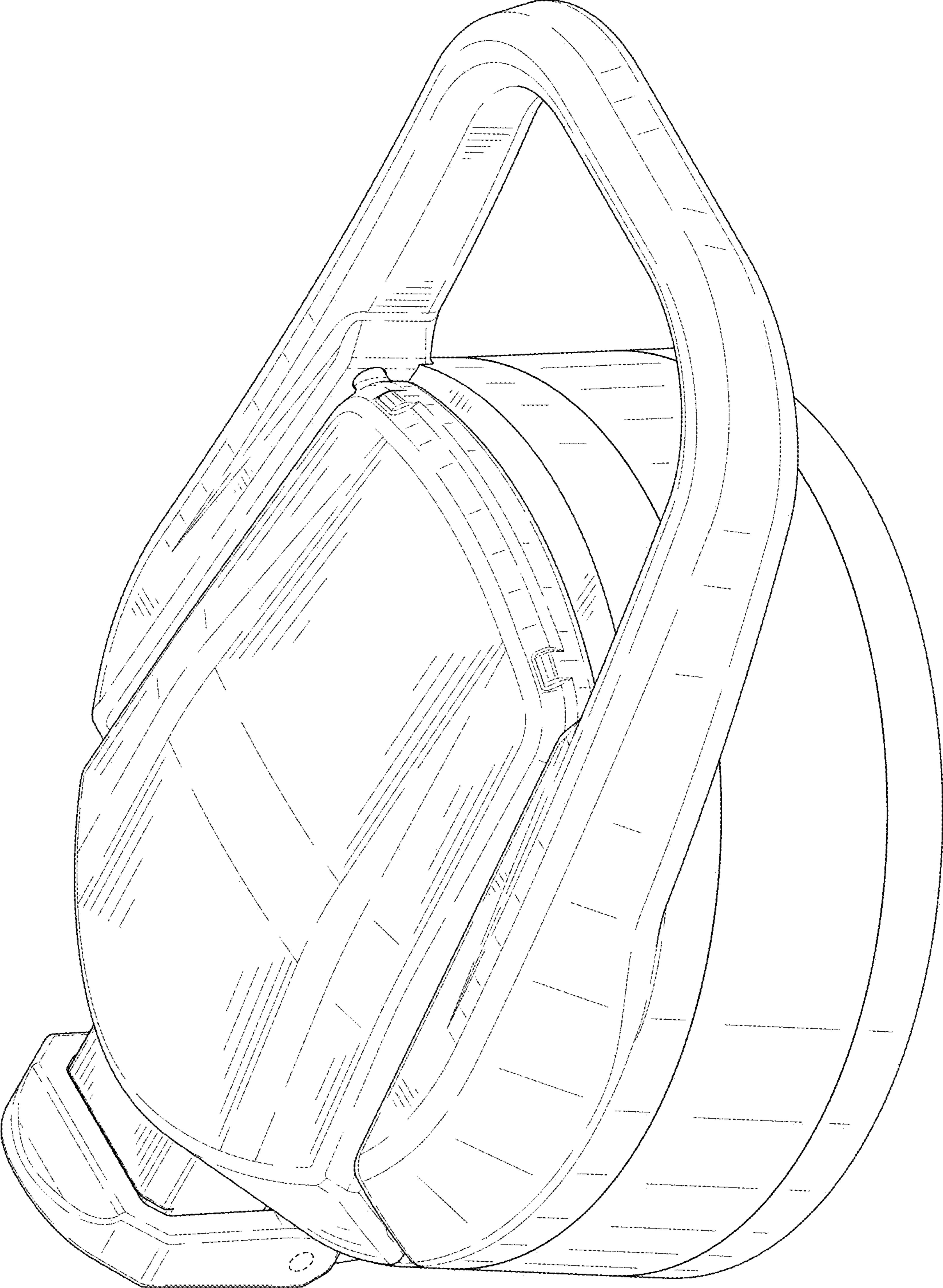


FIG. 3

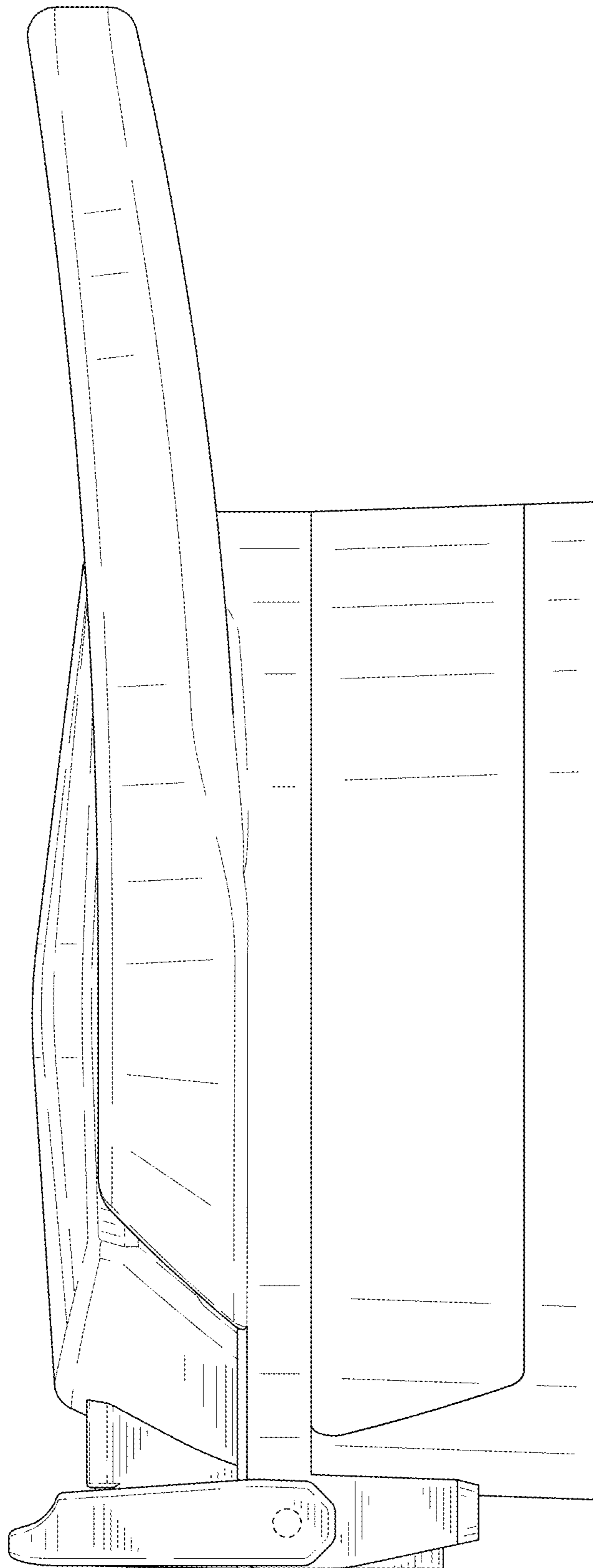


FIG. 4

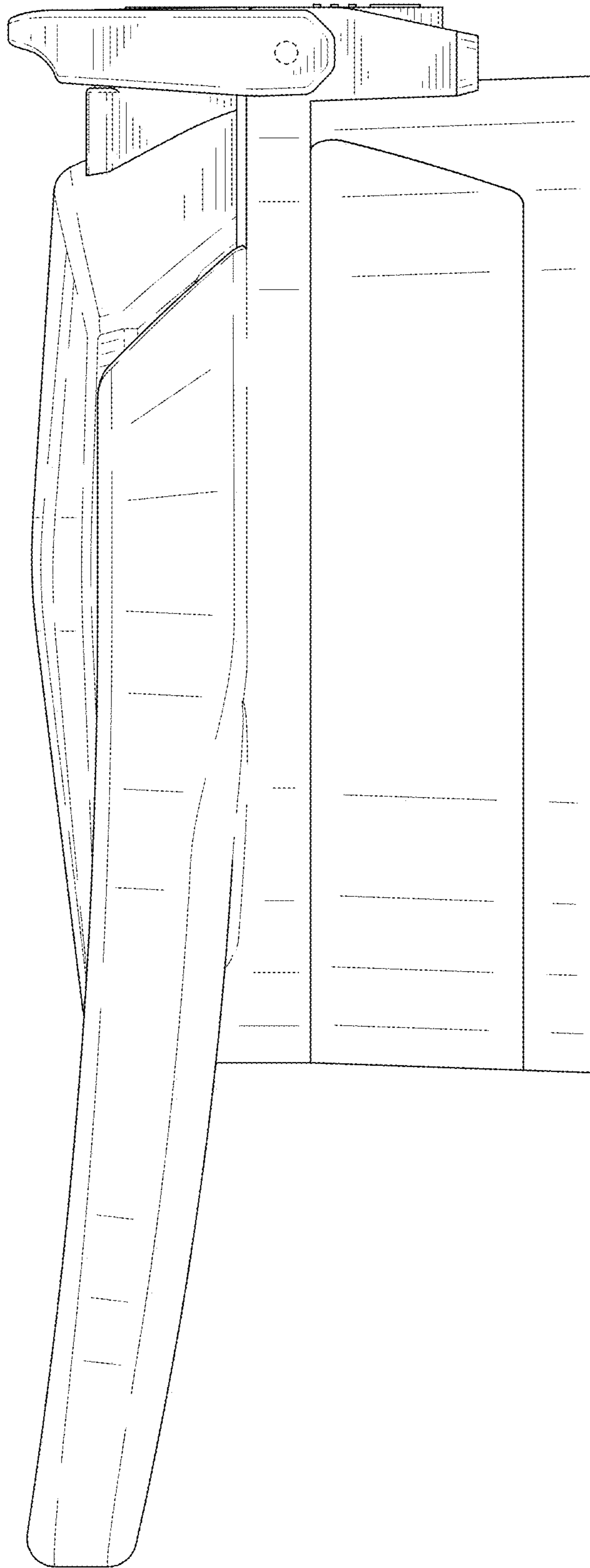


FIG. 5

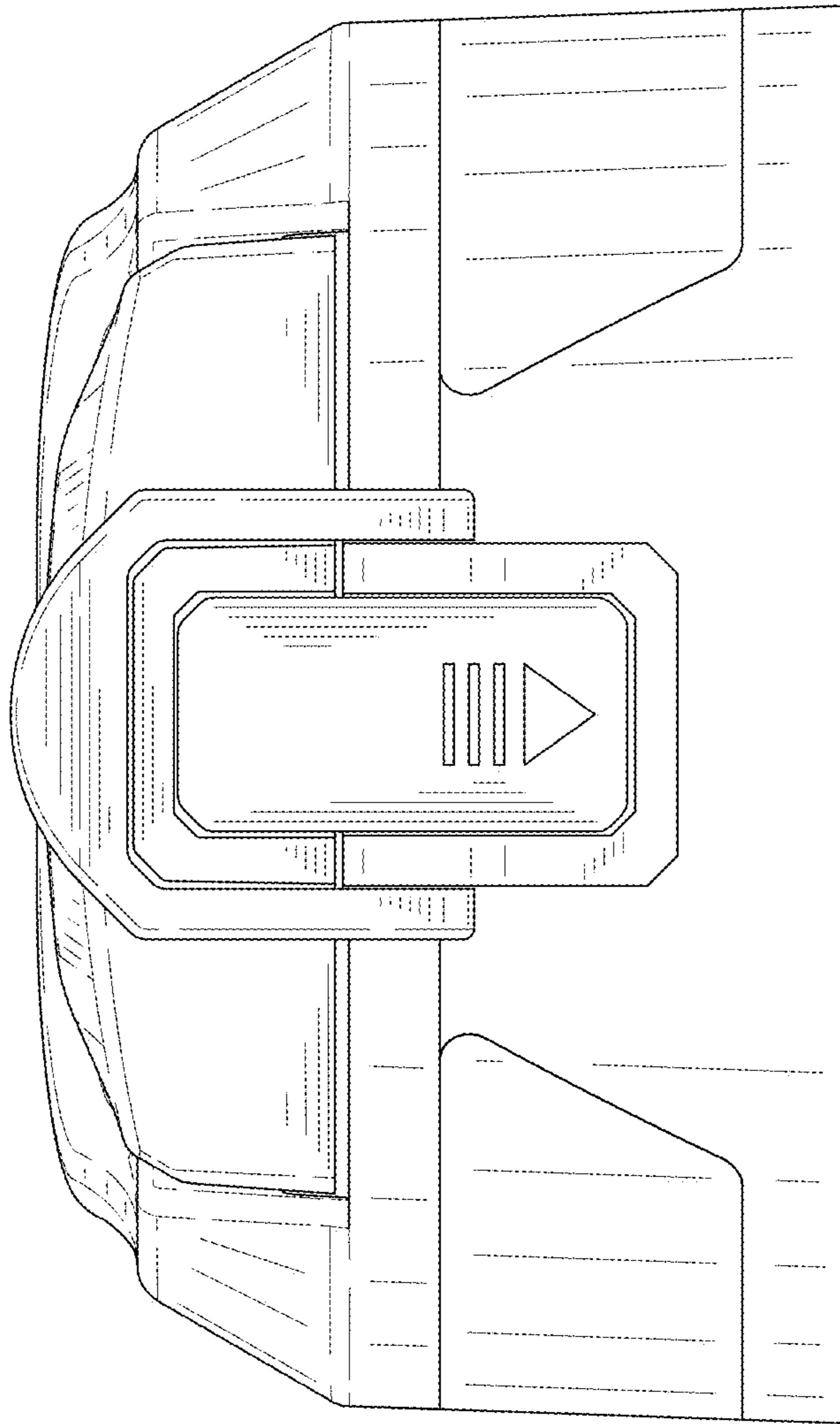


FIG. 6

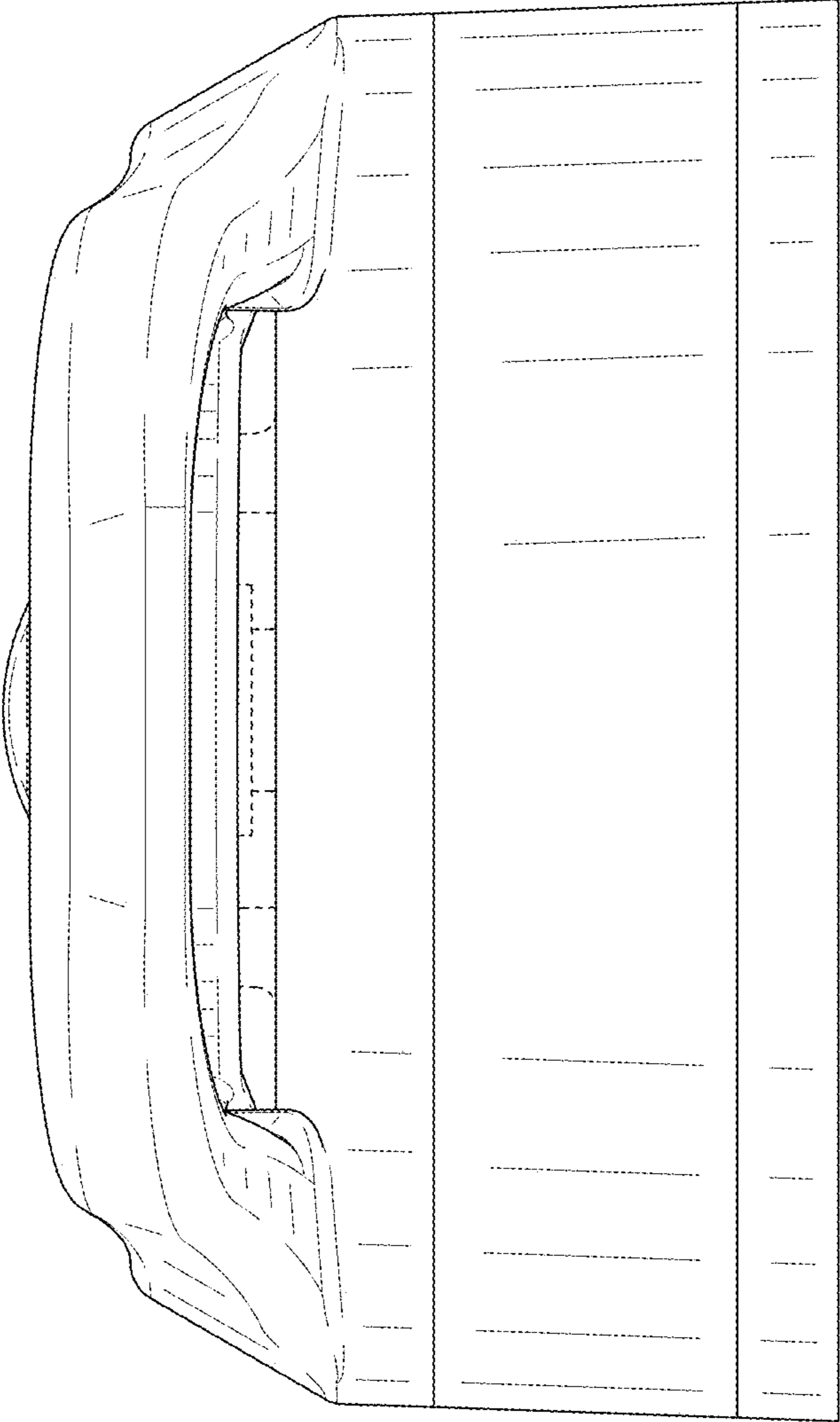


FIG. 7

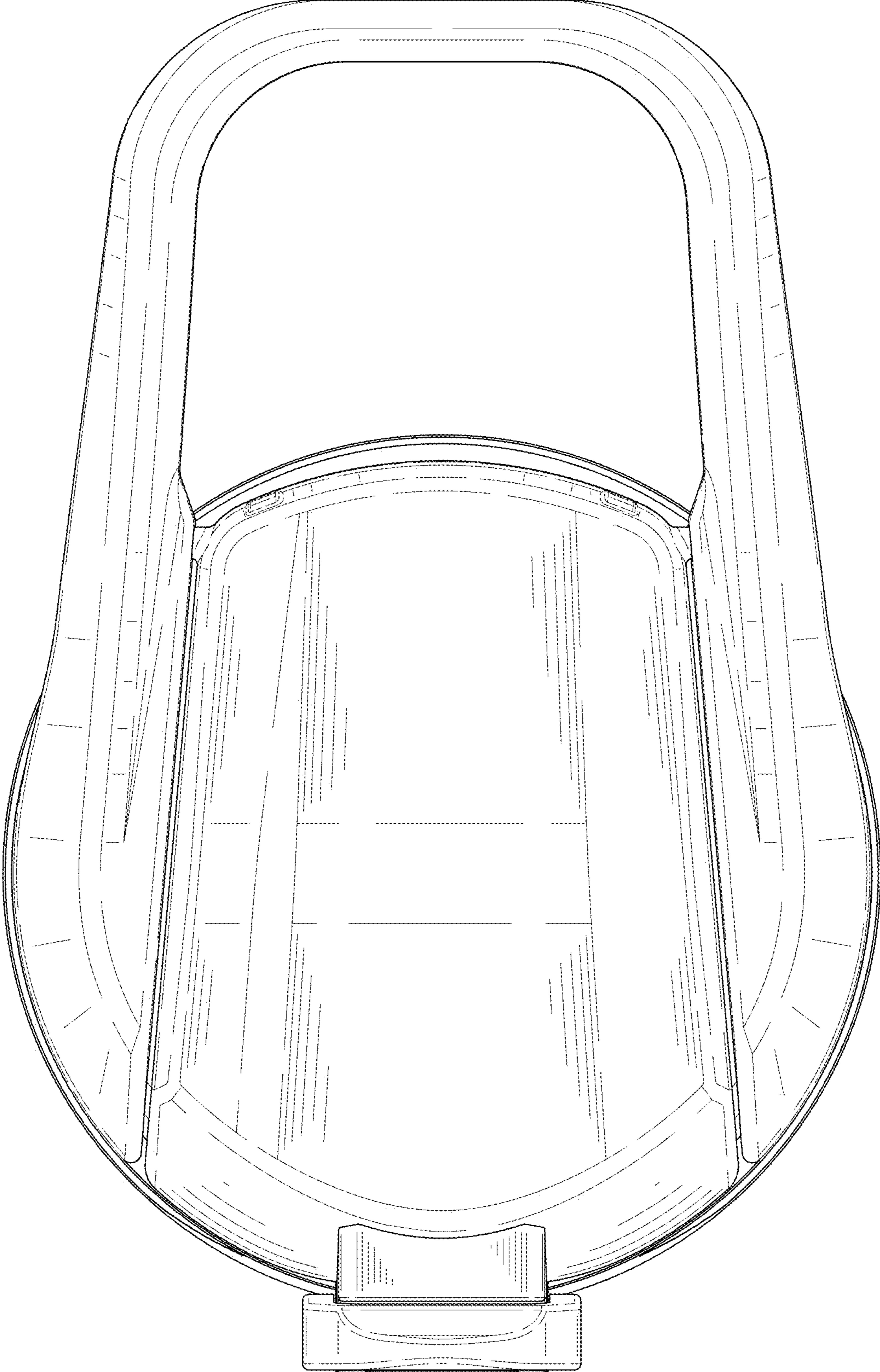


FIG. 8

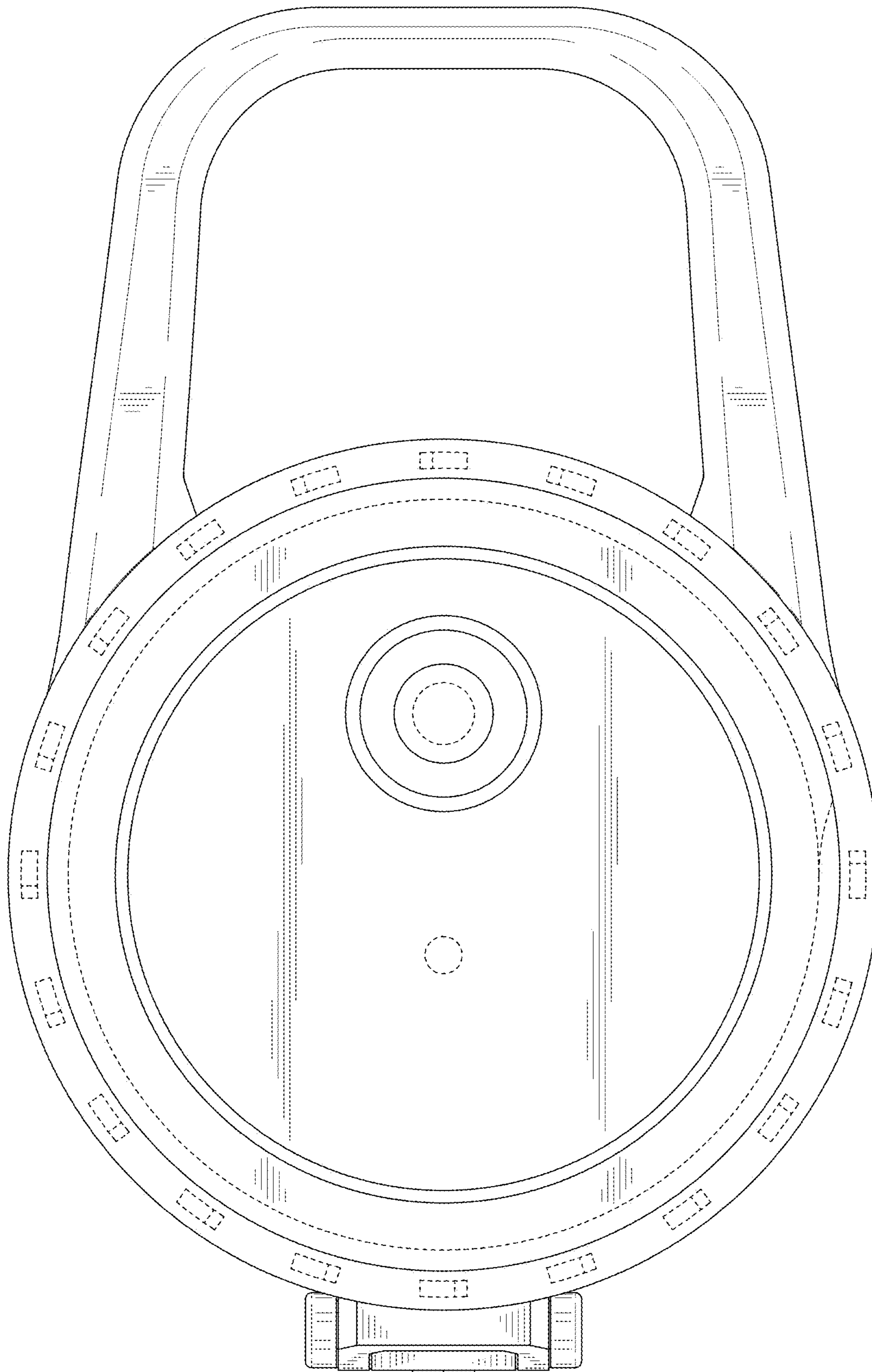


FIG. 9