



US00D974826S

(12) **United States Design Patent** (10) **Patent No.:** **US D974,826 S**
Schoenmakers et al. (45) **Date of Patent:** **** Jan. 10, 2023**

(54) **CONTAINER LID**
(71) Applicant: **The Decor Corporation Pty. Ltd.**,
Dandenong South (AU)
(72) Inventors: **Alexander Schoenmakers**, Dandenong
South (AU); **George Kotsiopoulos**,
Dandenong South (AU); **Toby Hartley**,
Dandenong South (AU)
(73) Assignee: **THE DECOR CORPORATION PTY.**
LTD., Dandenong South (AU)
(**) Term: **15 Years**
(21) Appl. No.: **29/787,244**
(22) Filed: **Jun. 4, 2021**

(30) **Foreign Application Priority Data**
Mar. 15, 2021 (AU) 202111460
(51) **LOC (14) Cl.** **07-02**
(52) **U.S. Cl.**
USPC **D7/391**
(58) **Field of Classification Search**
USPC D3/202, 203, 302, 323; D7/213, 300,
D7/354-363, 387, 391-393, 396-398,
D7/401.1, 413, 507, 509, 510, 511,
D7/538-542, 601, 602, 605, 629, 630,
D7/512, 513, 396.2, 396.3, 415, 392.1,
D7/400; D9/414, 424-429, 434-436,
D9/438-441, 443-447, 449-454,
D9/503-505, 523, 682, 686, 901, 902,
D9/906; D22/146
CPC A47G 19/027; A47G 19/12; A47G 19/127;
A47G 19/2272; A47G 23/06; A45F 3/16;
A47J 41/00; A47J 41/0005; A47J
41/0011; A47J 41/0016; A47J 41/0022;
A47J 41/0027; A47J 41/0083; A47J
47/14; A61J 1/00; A61J 1/1412; B65D
1/00; B65D 1/02; B65D 1/12; B65D
1/22; B65D 1/265; B65D 23/08; B65D
25/34; B65D 39/00; B65D 39/0017;
B65D 39/007; B65D 39/08; B65D
39/0023; B65D 39/16; B65D 41/00;
(Continued)

(56) **References Cited**
U.S. PATENT DOCUMENTS
D203,772 S * 2/1966 Reuters D9/425
3,452,896 A * 7/1969 Elliot B65D 43/0212
220/784

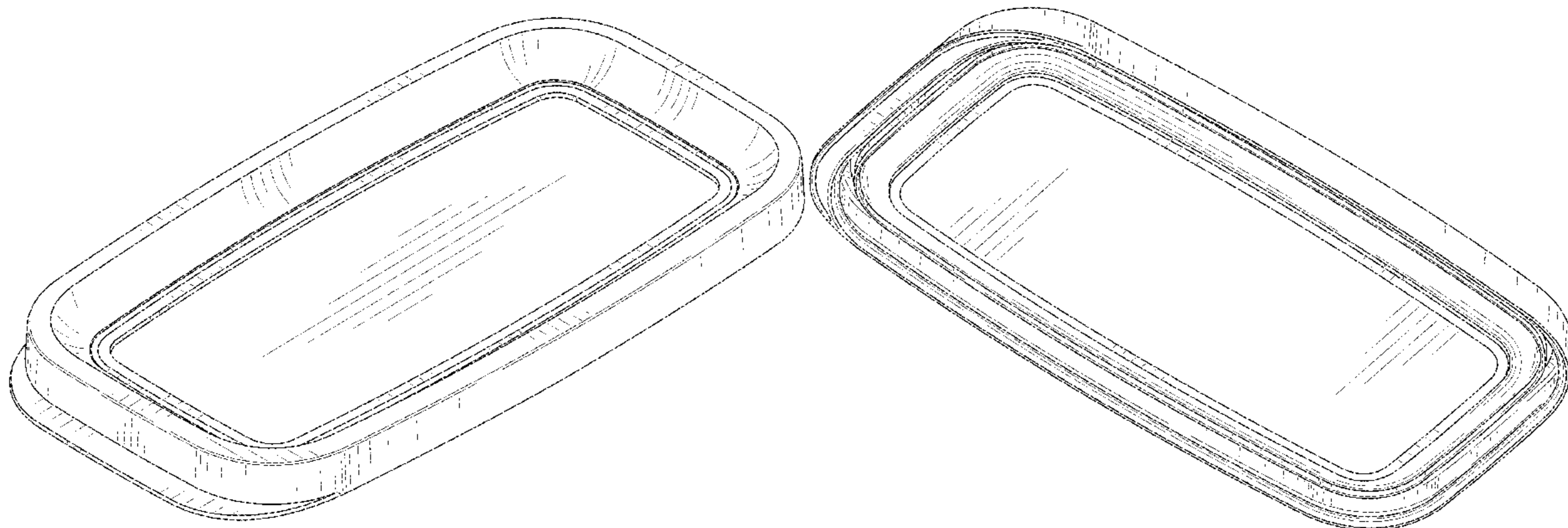
(Continued)
FOREIGN PATENT DOCUMENTS
GB 6140571 * 6/2021
NZ 429009-0001 * 8/2021

OTHER PUBLICATIONS
Décor Pantry Stack & Store, posted Sep. 15, 2021 [online], [retrieved
Oct. 12, 2022]. Retrieved on internet, [https://www.amazon.co.uk/
D%C3%A9cor-Storage-Container-Dishwasher-Microwave/dp/
B09GB8XJDM?ref=ast_sto_dp&th=1](https://www.amazon.co.uk/D%C3%A9cor-Storage-Container-Dishwasher-Microwave/dp/B09GB8XJDM?ref=ast_sto_dp&th=1) (Year: 2021).*
Primary Examiner — Nicole C Shiflet
Assistant Examiner — Yen Le Southwood
(74) *Attorney, Agent, or Firm* — Cantor Colburn LLP

(57) **CLAIM**
The ornamental design for a container lid, as shown and
described.

DESCRIPTION
FIG. 1 is top perspective view of a container lid showing my
new design;
FIG. 2 is a side view thereof;
FIG. 3 is another side view thereof;
FIG. 4 is a front view thereof;
FIG. 5 is a rear view thereof;
FIG. 6 is a top view thereof;
FIG. 7 is a bottom view thereof; and,
FIG. 8 is a bottom perspective view thereof.

1 Claim, 5 Drawing Sheets



(58) **Field of Classification Search**

CPC . B65D 41/02; B65D 41/0407; B65D 4/0457;
B65D 41/38; B65D 41/56; B65D 41/62;
B65D 43/00; B65D 43/02; B65D 43/022;
B65D 43/0212; B65D 43/161; B65D
43/162; B65D 43/0206; B65D 43/0249;
B65D 43/0256; B65D 45/00; B65D
45/02; B65D 45/16; B65D 45/18; B65D
45/32; B65D 47/00; B65D 47/06; B65D
47/066; B65D 47/08; B65D 51/16; B65D
51/1683; B65D 51/1688; B65D 51/1694;
B65D 51/244; B65D 51/28; B65D
81/2038; B65D 81/3865; B65D 83/40;
B65D 83/48; B65D 2203/12; B65D
2251/00; B65D 2251/03; B65D
2251/1083; B65D 2543/00; B65D
2543/00046; B65D 2543/00055; B65D
2543/0012; B65D 2543/00592; B65D
2543/00907; B65D 2543/00925; B65D
2543/00092; B65D 2543/00296

See application file for complete search history.

(56) **References Cited**

U.S. PATENT DOCUMENTS

D284,254 S *	6/1986	Carlson	D7/629
4,700,842 A *	10/1987	Grusin	B65D 43/0218 206/508
D350,880 S *	9/1994	VanValkenburg	D9/425
D703,493 S *	4/2014	de Ste. Croix	D7/629
D816,396 S *	5/2018	Eades	D7/391

* cited by examiner

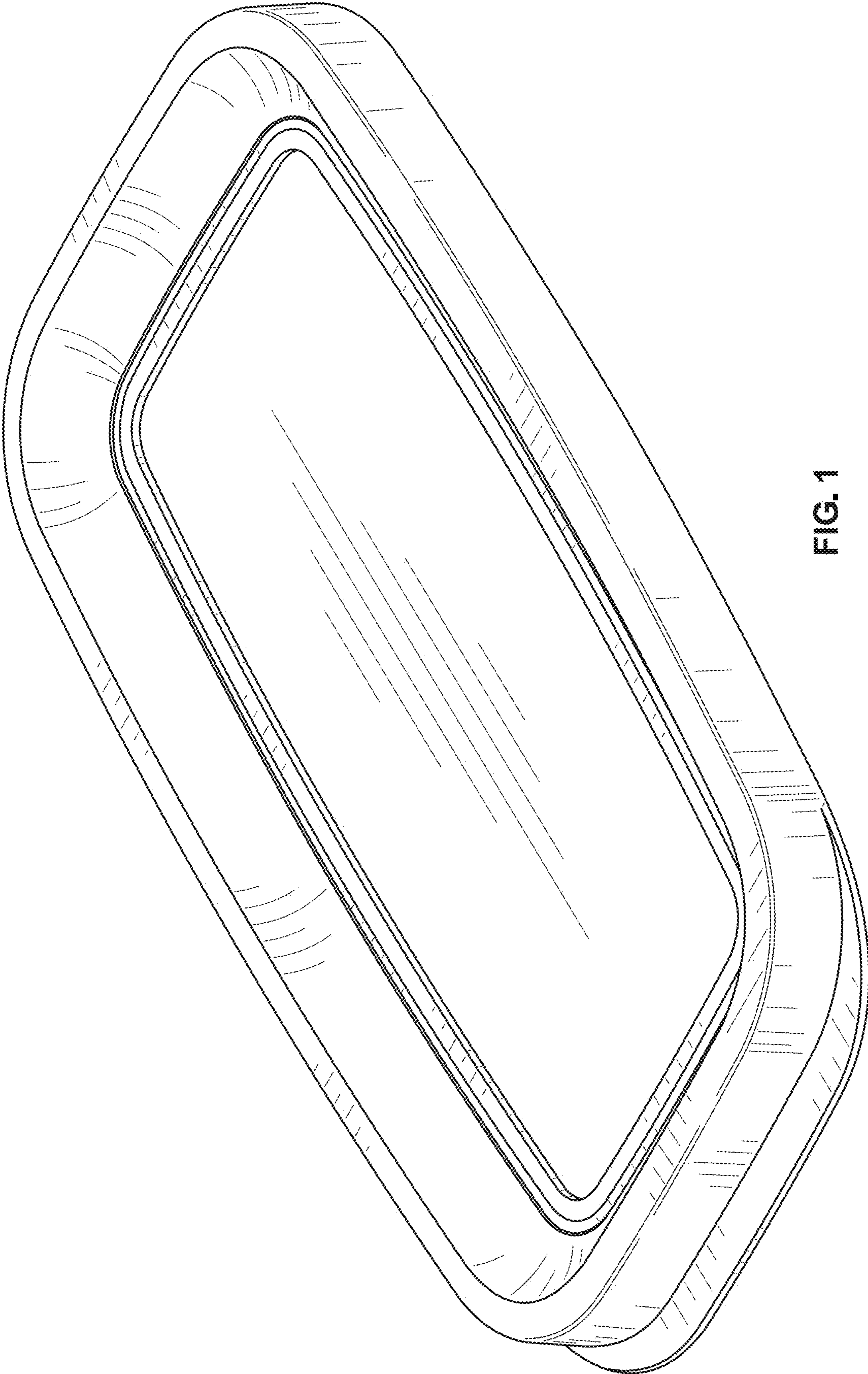


FIG. 1

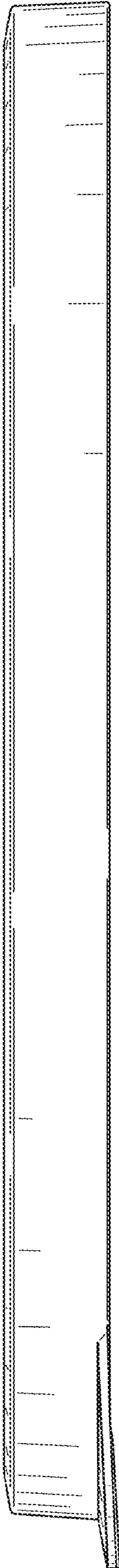


FIG. 2

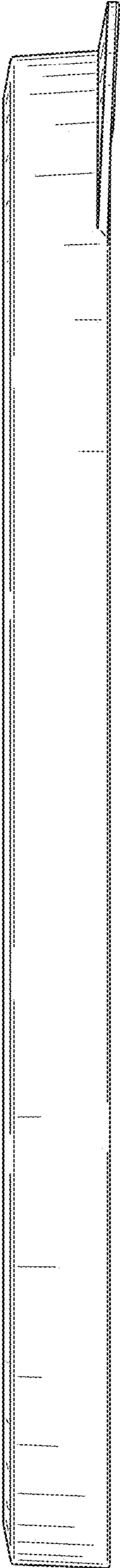


FIG. 3

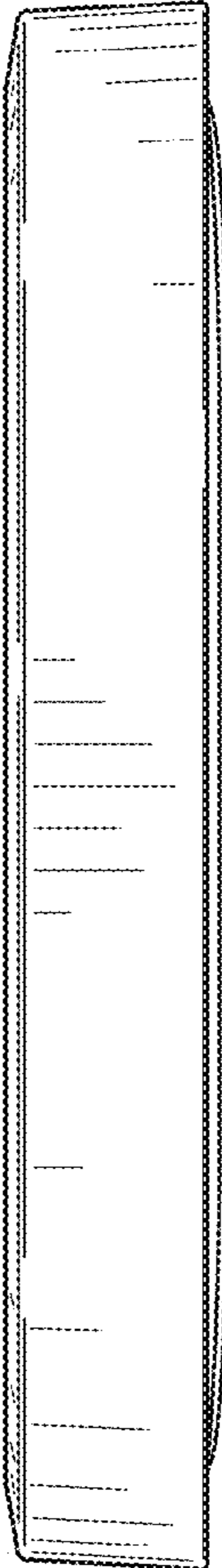


FIG. 4

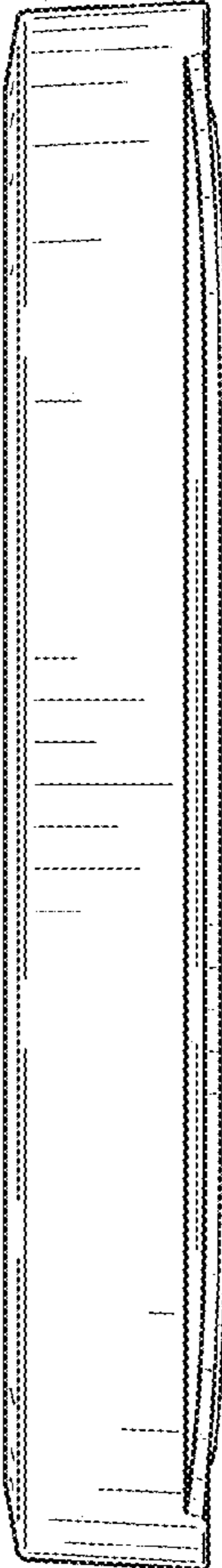


FIG. 5

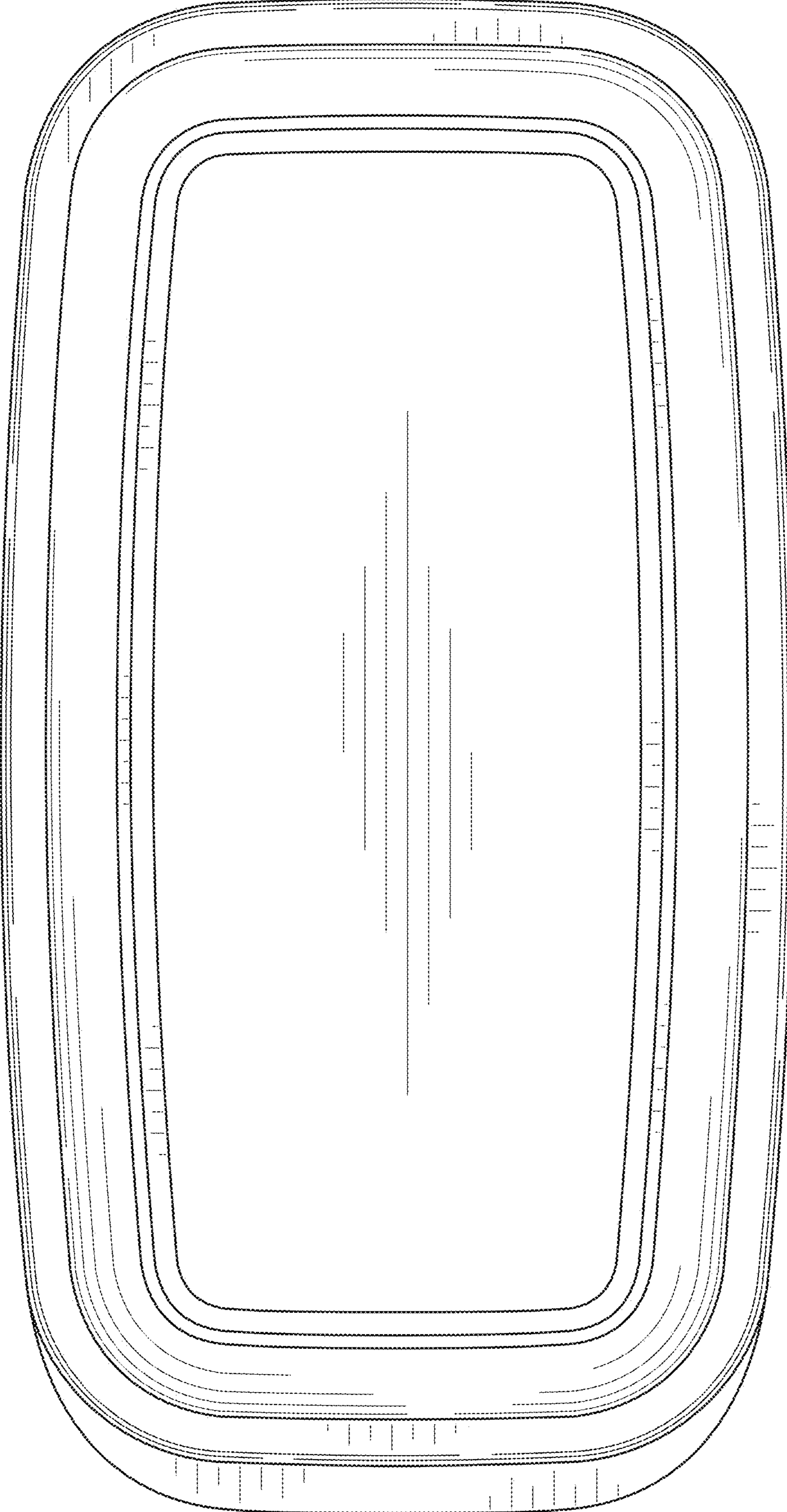


FIG. 6

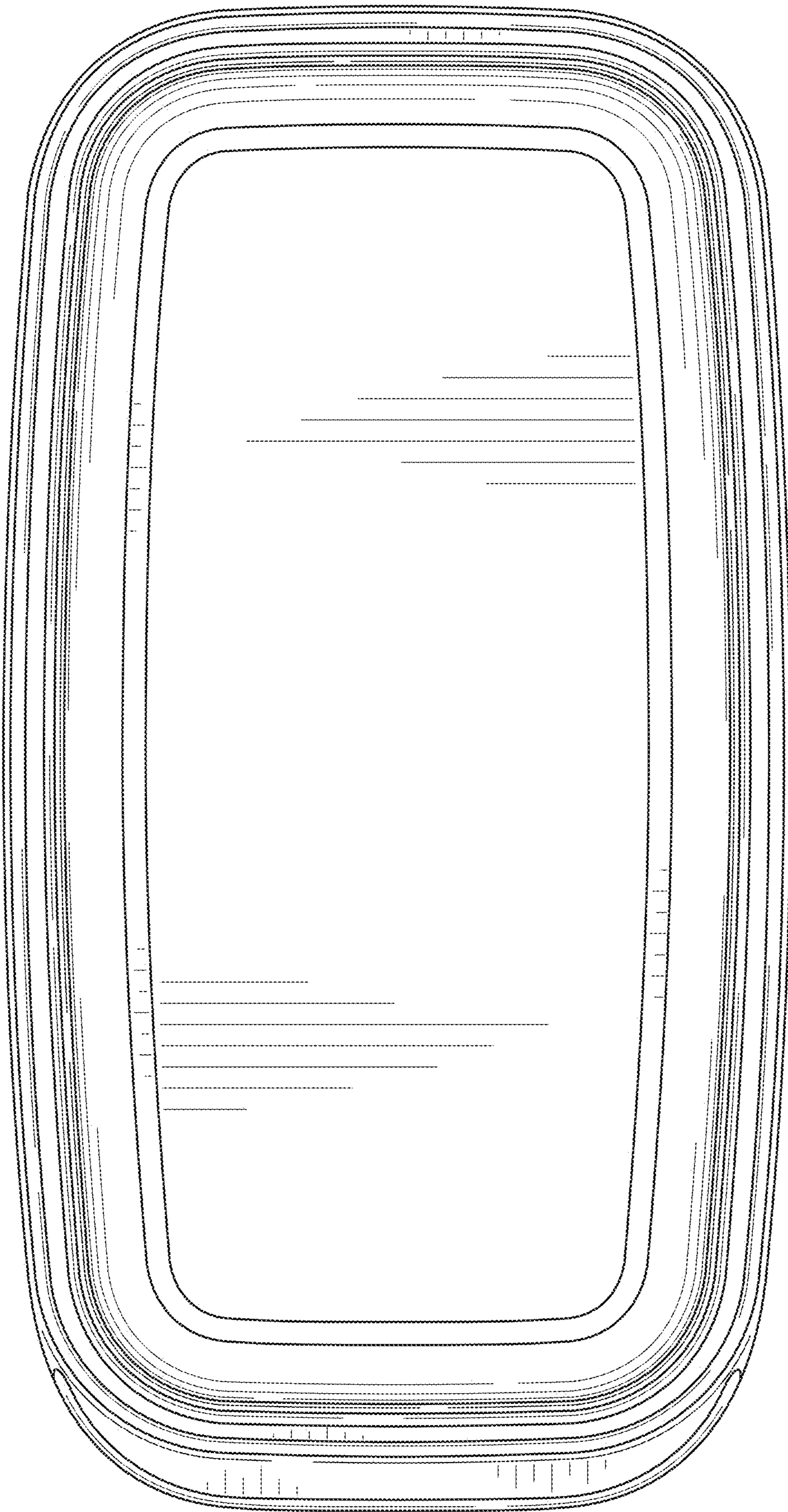


FIG. 7

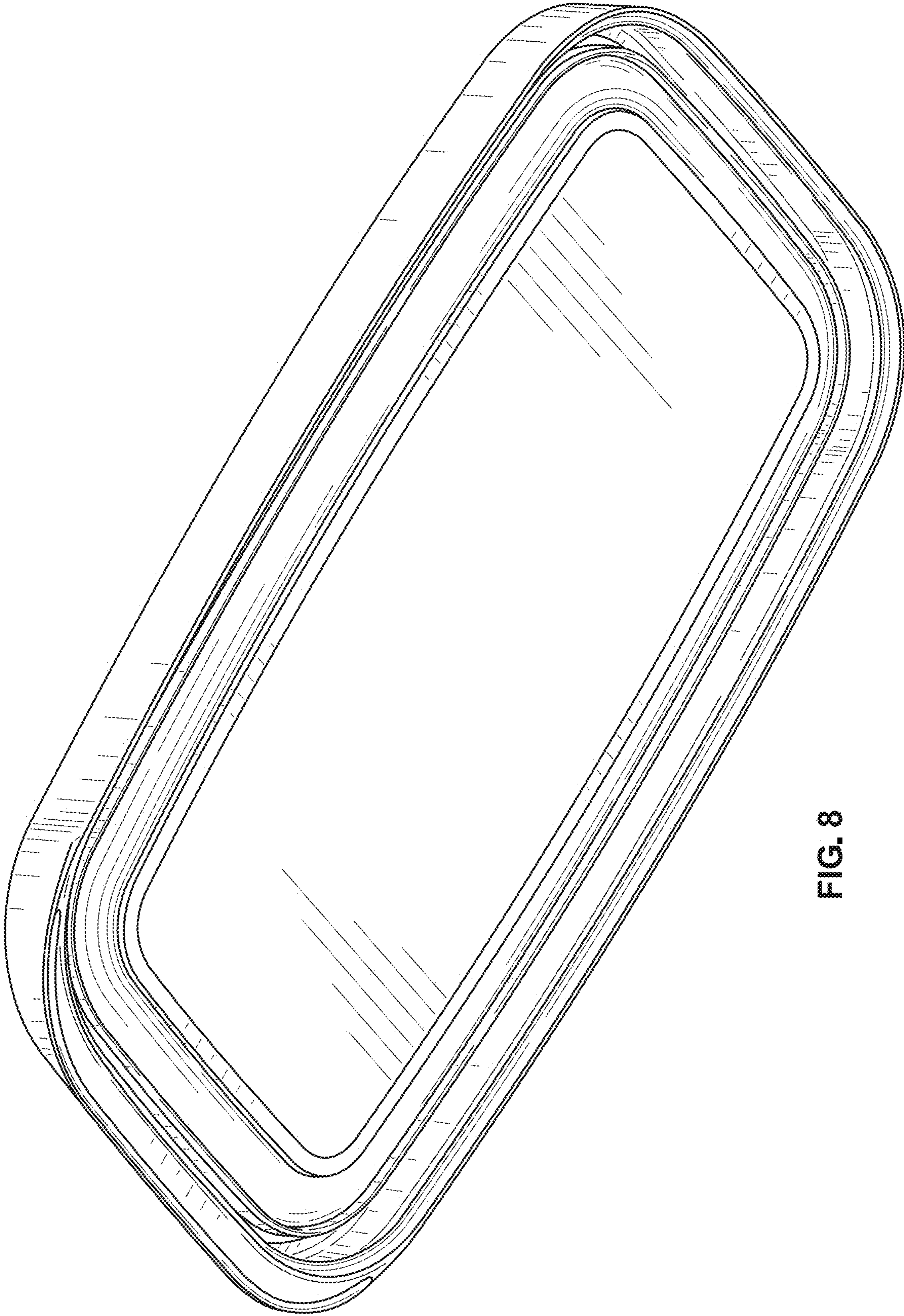


FIG. 8