



US00D974823S

(12) **United States Design Patent** (10) **Patent No.:** **US D974,823 S**
Huang (45) **Date of Patent:** **** Jan. 10, 2023**

(54) **EGG POACHER**

FOREIGN PATENT DOCUMENTS

(71) Applicant: **Wenzhao Huang**, Shenzhen (CN)

HK 0800867-0001 * 5/2008

(72) Inventor: **Wenzhao Huang**, Shenzhen (CN)

OTHER PUBLICATIONS

(**) Term: **15 Years**

COZILIFE Silicone Egg Poaching Cups, posted at Amazon.com on Sep. 26, 2016, [site visited May 3, 2022]. Available from internet, URL: <https://www.amazon.com/Egg-Poacher-COZILIFE-Build-Microwave/dp/B01LXBW1UI/> (Year: 2016).*

(21) Appl. No.: **29/762,823**

Skoo Silicone Egg Poaching Cups, posted at Amazon.com on Mar. 24, 2019, [site visited May 3, 2022]. Available from internet, URL: <https://www.amazon.com/Egg-Poacher-Silicone-Poaching-Microwave/dp/B07PZ462JH/> (Year: 2019).*

(22) Filed: **Dec. 18, 2020**

(51) **LOC (14) Cl.** **07-02**

(52) **U.S. Cl.**
USPC **D7/360**

(58) **Field of Classification Search**

USPC D24/123; D26/6, 9; D30/129, 130, 131, D30/132
CPC A47G 19/12; A47J 27/00; A47J 27/002; A47J 27/08; A47J 27/21; A47J 27/58; A47J 36/025; A47J 36/06; A47J 36/12; A47J 37/00; A47J 37/10; A47J 37/101; A47J 37/103; A47J 37/12; A47J 37/1204; A47J 45/061; A47J 45/071; A47J 45/08; H05B 6/12

See application file for complete search history.

(Continued)

Primary Examiner — Andrew Kerr
Assistant Examiner — Chariton Alexakis
(74) *Attorney, Agent, or Firm* — WPAT, PC

(57) **CLAIM**

The ornamental design for an egg poacher, as shown and described.

(56) **References Cited**

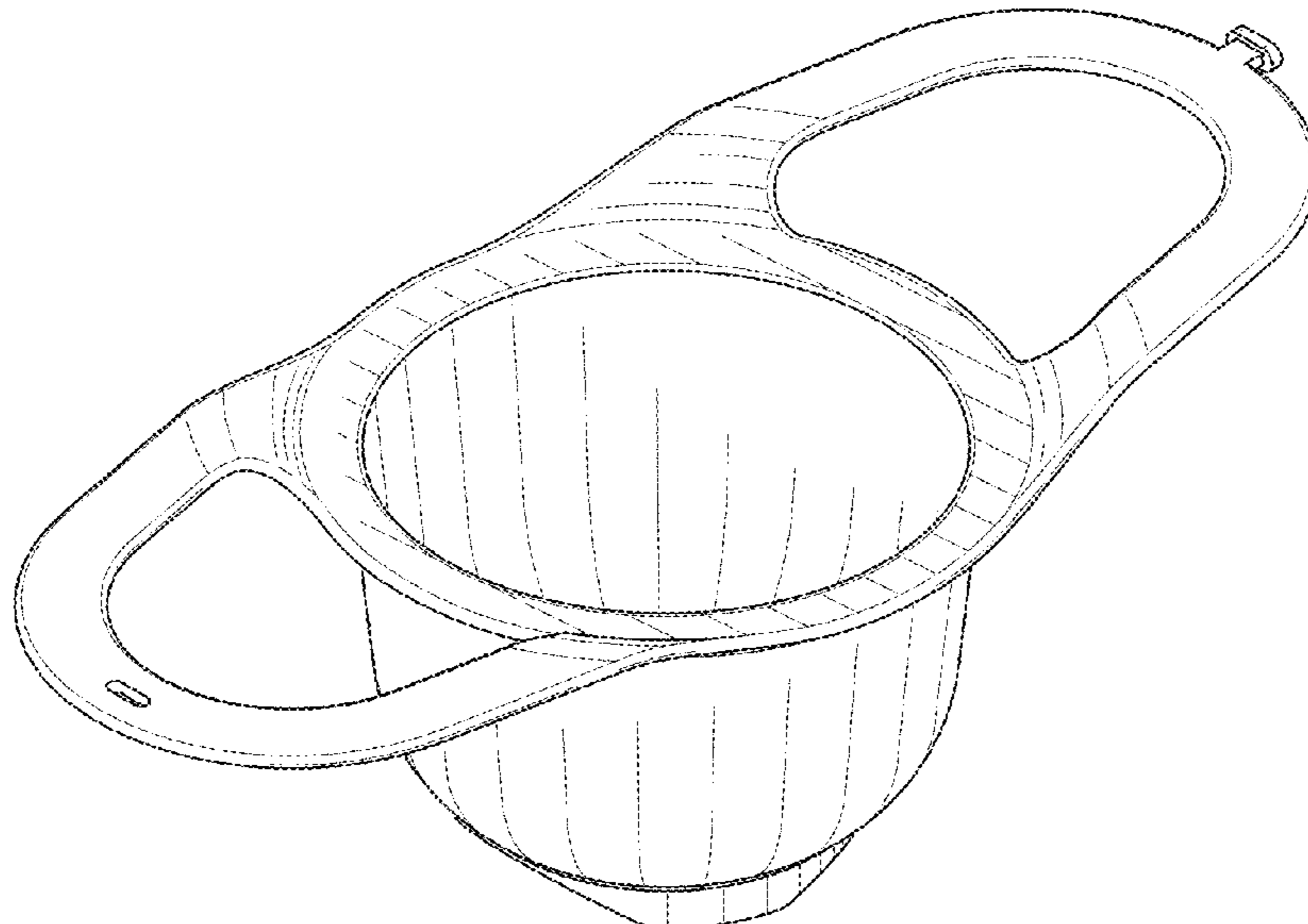
DESCRIPTION

U.S. PATENT DOCUMENTS

D458,077 S	*	6/2002	Candianides	D7/360
D470,006 S	*	2/2003	Cooper	D7/360
D495,559 S	*	9/2004	Vidal	D7/360
D512,599 S	*	12/2005	Hoenstein	D7/360
D522,309 S	*	6/2006	Pukall	D7/360
D529,332 S	*	10/2006	Hoenstein	D7/360
D558,537 S	*	1/2008	Curtin	D7/667
D582,718 S	*	12/2008	Chandler	D7/360
D598,717 S	*	8/2009	Jalet	D7/667
D604,989 S	*	12/2009	Chen	D7/545
D763,625 S	*	8/2016	Wright	D7/545
D911,775 S	*	3/2021	Ferrada	D7/672
D931,677 S	*	9/2021	Cossu	D7/360
D945,840 S	*	3/2022	Zhou	D7/667

FIG. 1 is a perspective view of an egg poacher showing the new design;
FIG. 2 is a front view thereof;
FIG. 3 is a rear view thereof;
FIG. 4 is a left-side view thereof;
FIG. 5 is a right-side view thereof;
FIG. 6 is a top view thereof;
FIG. 7 is a bottom view thereof; and,
FIG. 8 is a perspective view in a use state thereof.
The broken lines depict portions of the egg poacher that form no part of the claimed design.

1 Claim, 7 Drawing Sheets



(56)

References Cited

OTHER PUBLICATIONS

KRGMNHR Silicone Egg Poacher Cup, posted at Amazon.com on Nov. 14, 2020, [site visited May 3, 2022]. Available from internet, URL: <<https://www.amazon.com/Egg-Poacher-Standers-Silicone-Microwave/dp/B08Q7FR4ZS/>> (Year: 2020).*

* cited by examiner

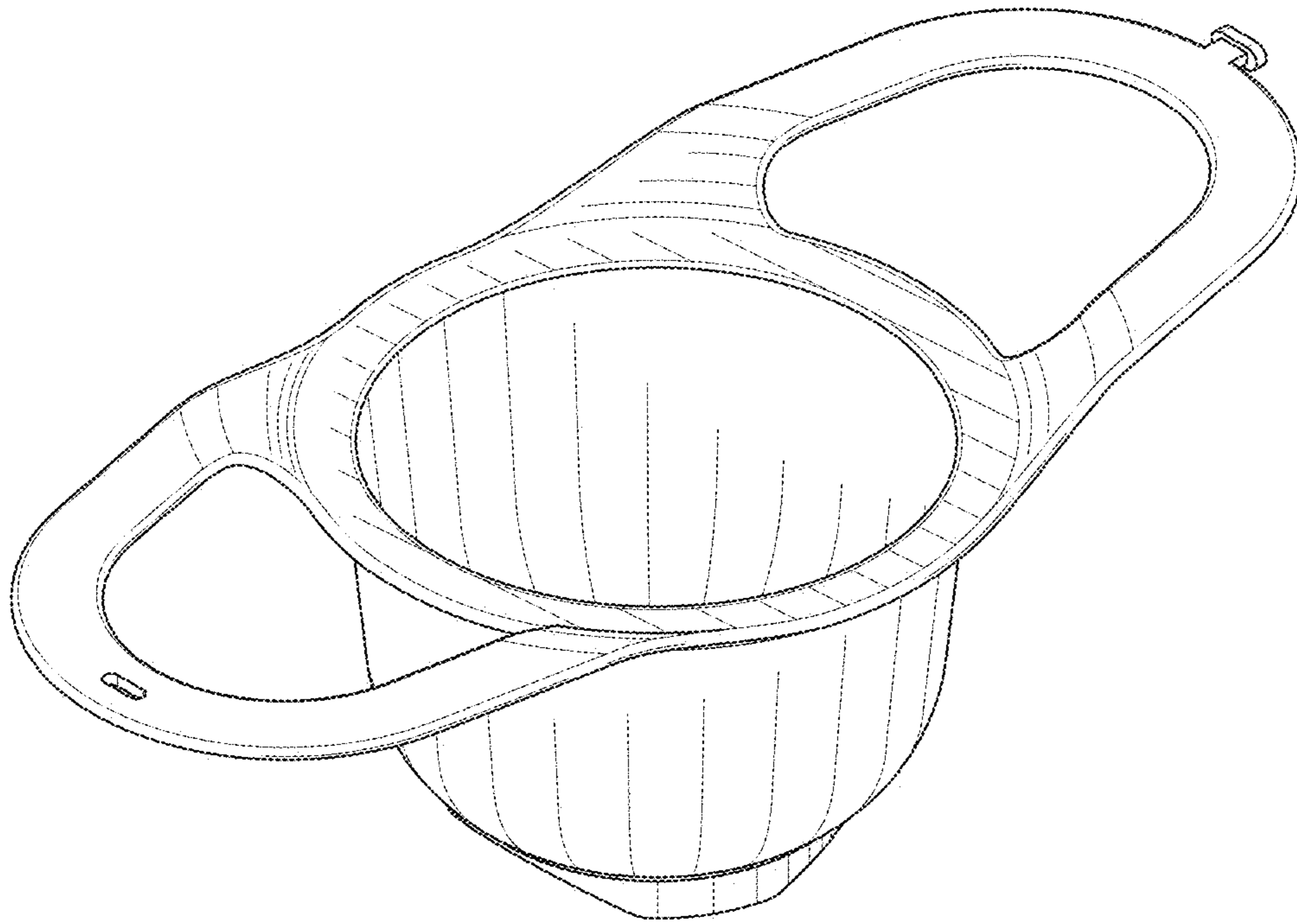


FIG. 1

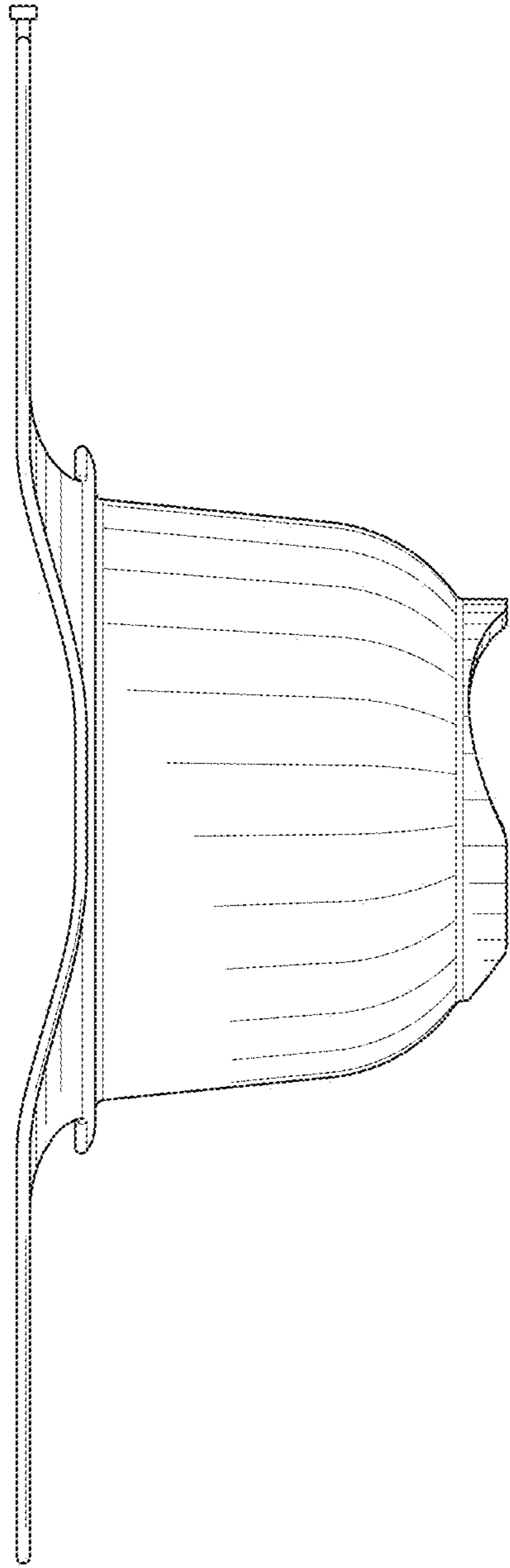


FIG. 2

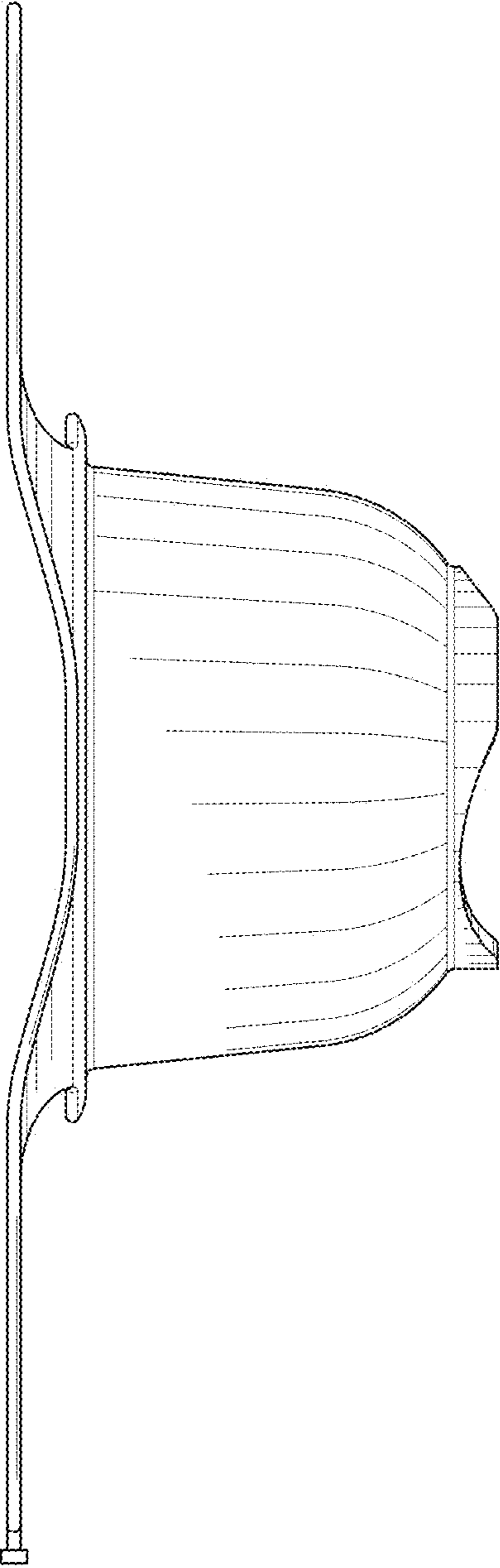


FIG. 3

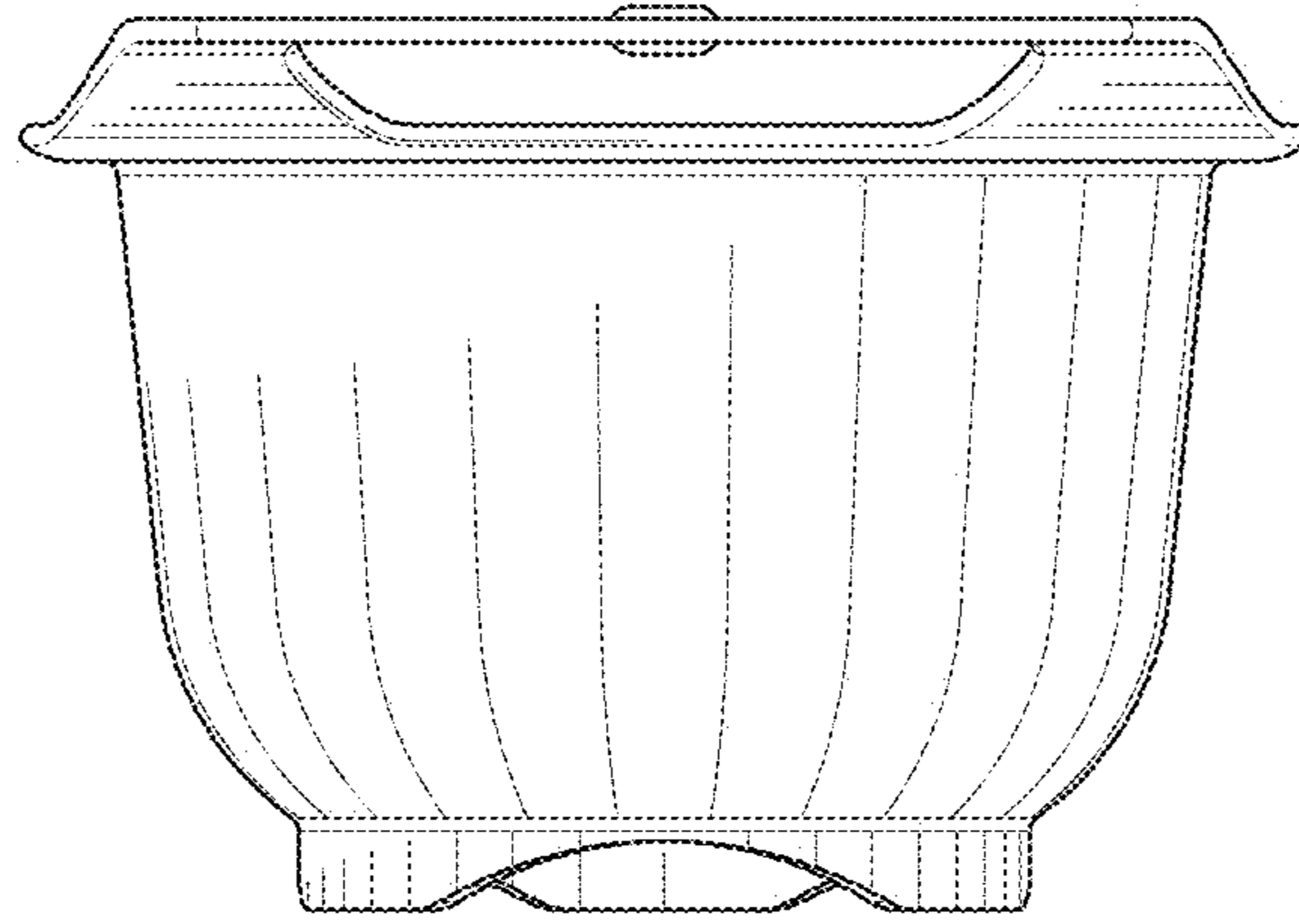


FIG. 4

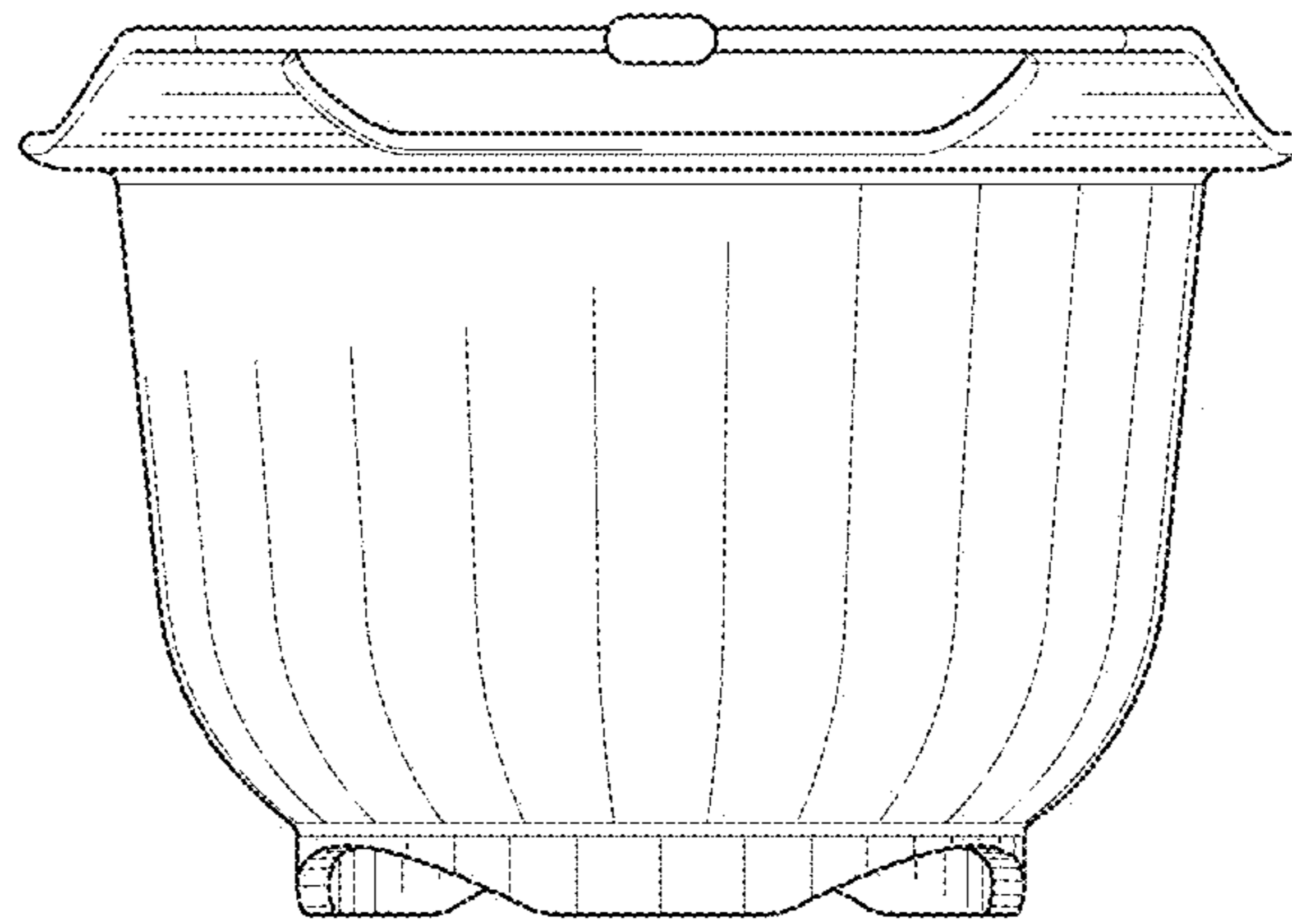


FIG. 5

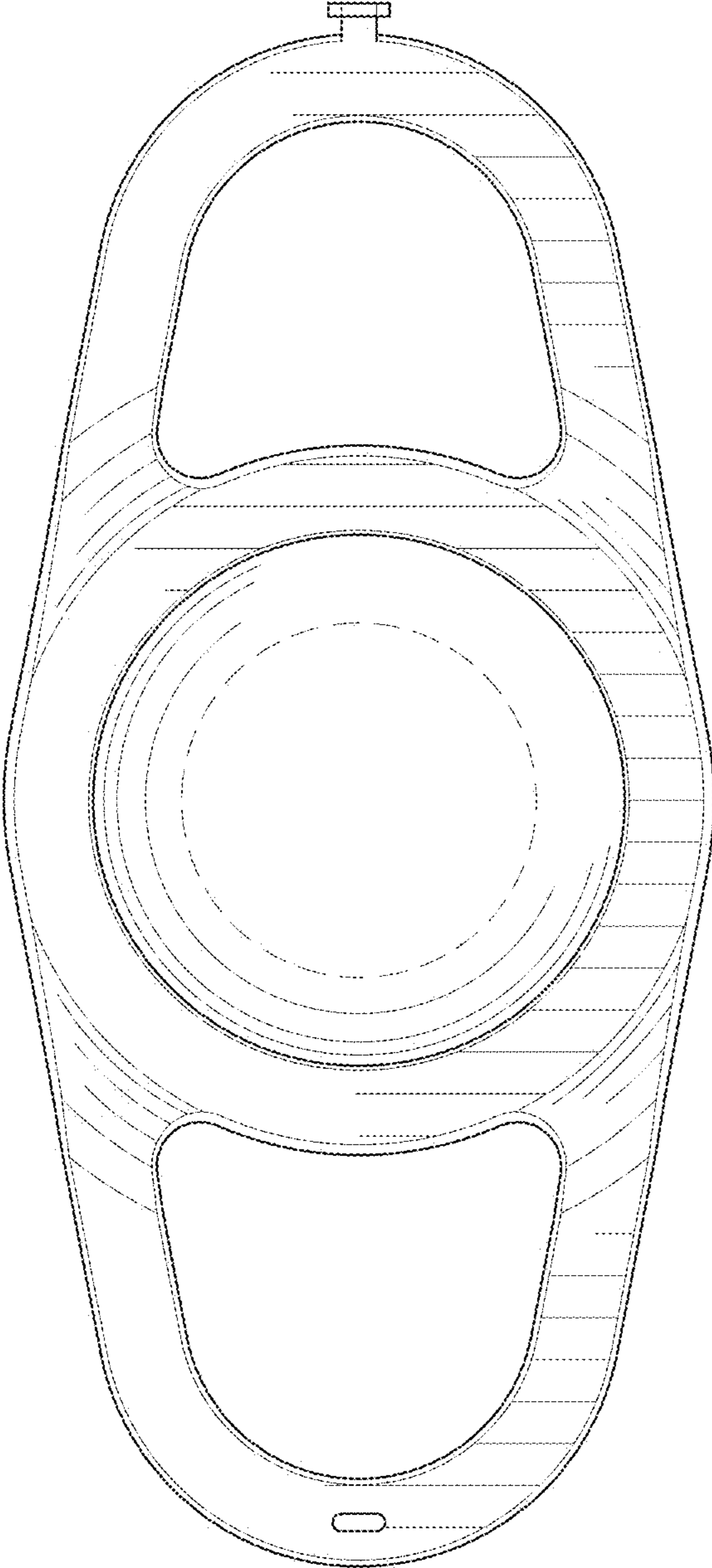


FIG. 6

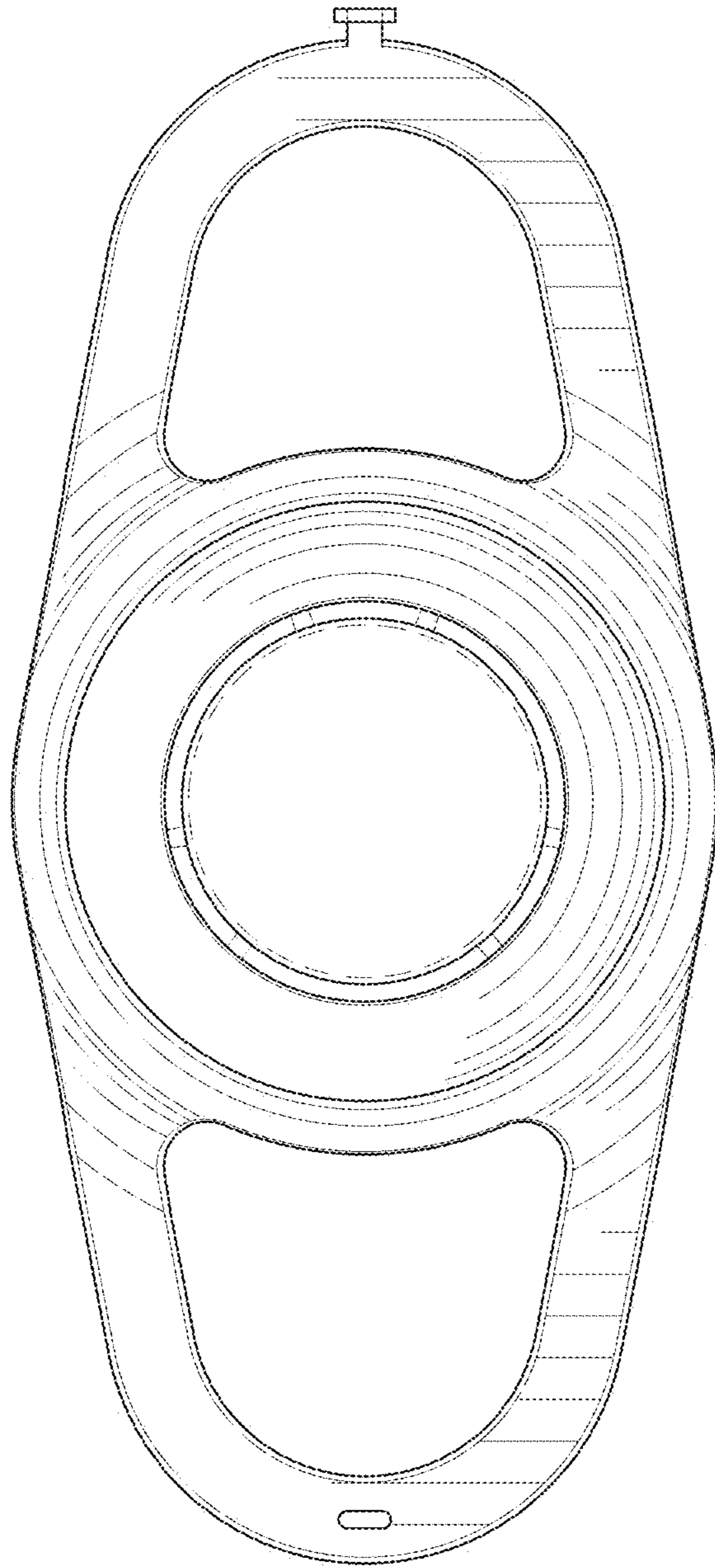


FIG. 7

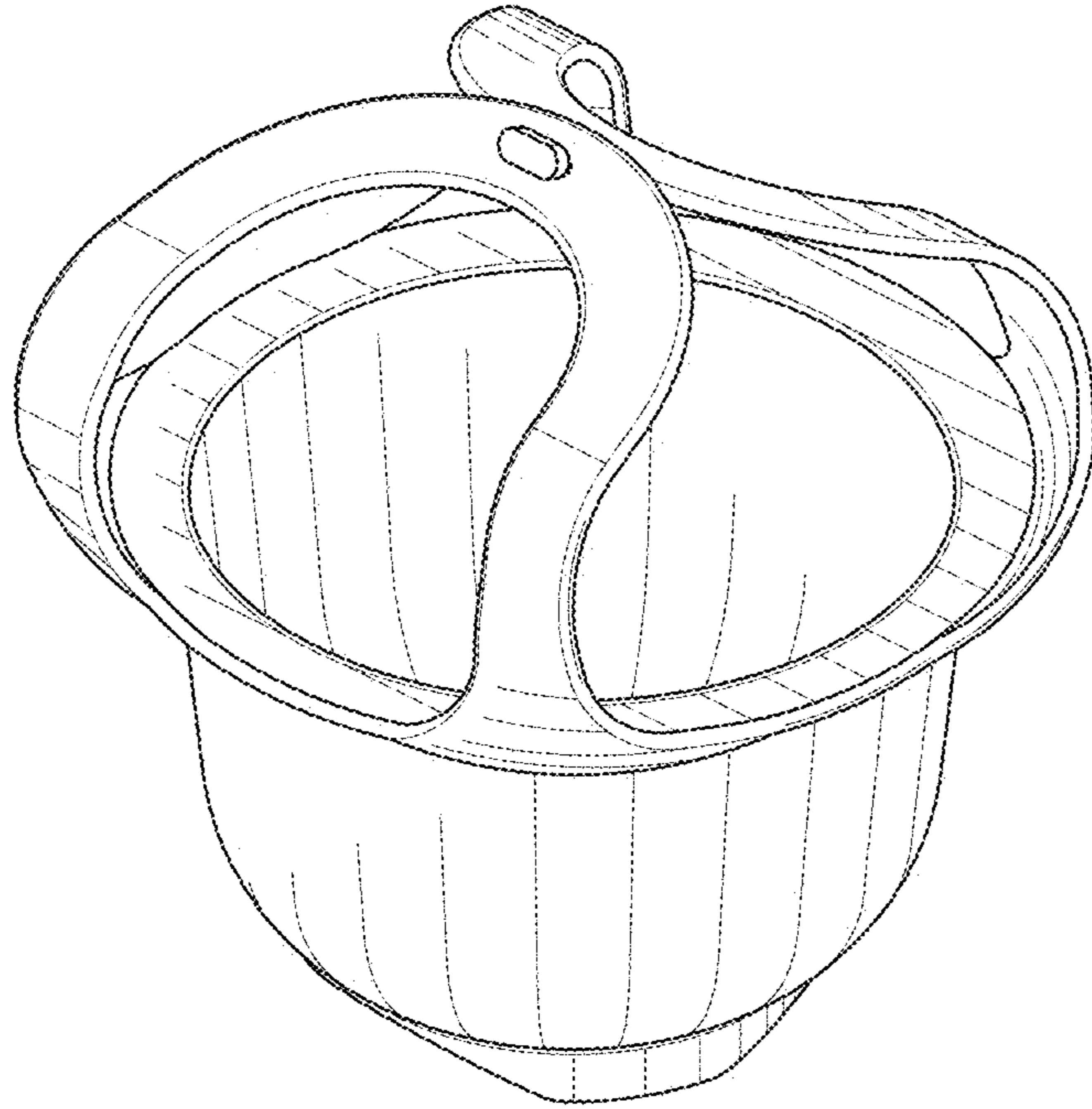


FIG. 8