

US00D974821S

(12) **United States Design Patent** (10) **Patent No.:** **US D974,821 S**
Tan (45) **Date of Patent:** **** Jan. 10, 2023**

(54) **PRESSURE COOKER**

(71) Applicant: **MIDEA GROUP CO., LTD.**,
Guangdong (CN)

(72) Inventor: **Mao Tan**, Guangdong (CN)

(73) Assignee: **MIDEA GROUP CO., LTD.**,
Guangdong (CN)

(**) Term: **15 Years**

(21) Appl. No.: **35/512,250**

(22) Filed: **May 6, 2021**

(80) **Hague Agreement Data**

Int. Filing Date: **May 6, 2021**

Int. Reg. No.: **DM/215300**

Int. Reg. Date: **May 6, 2021**

Int. Reg. Pub. Date: **Jul. 23, 2021**

(30) **Foreign Application Priority Data**

Nov. 20, 2020 (CN) 202030706844.4

(51) **LOC (14) Cl.** **07-02**

(52) **U.S. Cl.**
USPC **D7/358**

(58) **Field of Classification Search**

USPC D7/300, 306, 309, 323, 352, 358, 362,
D7/363, 402, 409, 553, 665

CPC A21B 1/06; A21B 1/50; A47J 27/00; A47J
27/04

See application file for complete search history.

(56) **References Cited**

U.S. PATENT DOCUMENTS

2,531,717 A * 11/1950 Zimmer A47J 27/0815
220/246

D486,351 S * 2/2004 Lu D7/354

D549,517 S * 8/2007 Moran D7/358
D728,301 S * 5/2015 Hack D7/368
D871,828 S * 1/2020 Tan D7/354
D883,016 S * 5/2020 Deng D7/354
D929,792 S * 9/2021 Fransen D7/354
D929,793 S * 9/2021 Deng D7/354
D931,034 S * 9/2021 Fung D7/358
D935,259 S * 11/2021 Deng D7/354
2020/0224934 A1 * 7/2020 Itzkowitz A47J 27/002

OTHER PUBLICATIONS

Amazon website, COMFEE' 6 Quart Pressure Cooker 12-in-1, Earliest date on Amazon May 31, 2021, Available on the Internet URL: <https://www.amazon.com/COMFEE-Pressure-Kick-Start-Multi-Functional-Programmable/dp/B091TTDRVP> (Year: 2021).*

* cited by examiner

Primary Examiner — S. Bryan Reinholdt, Jr.

(57) **CLAIM**

The ornamental design for a pressure cooker, as shown and described.

DESCRIPTION

1. Pressure cooker

1.1: Front

1.2: Back

1.3: Left

1.4: Right

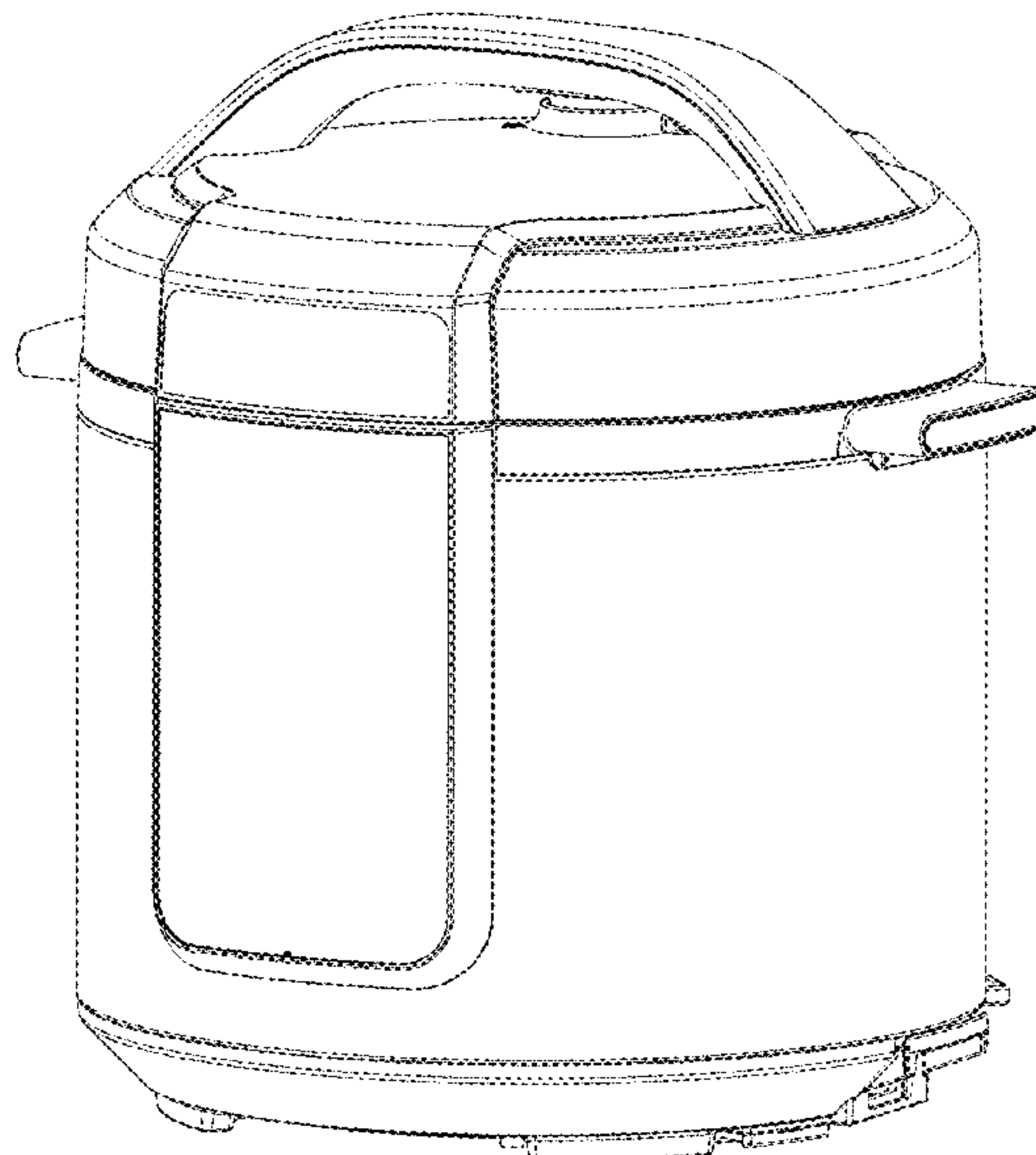
1.5: Top

1.6: Bottom

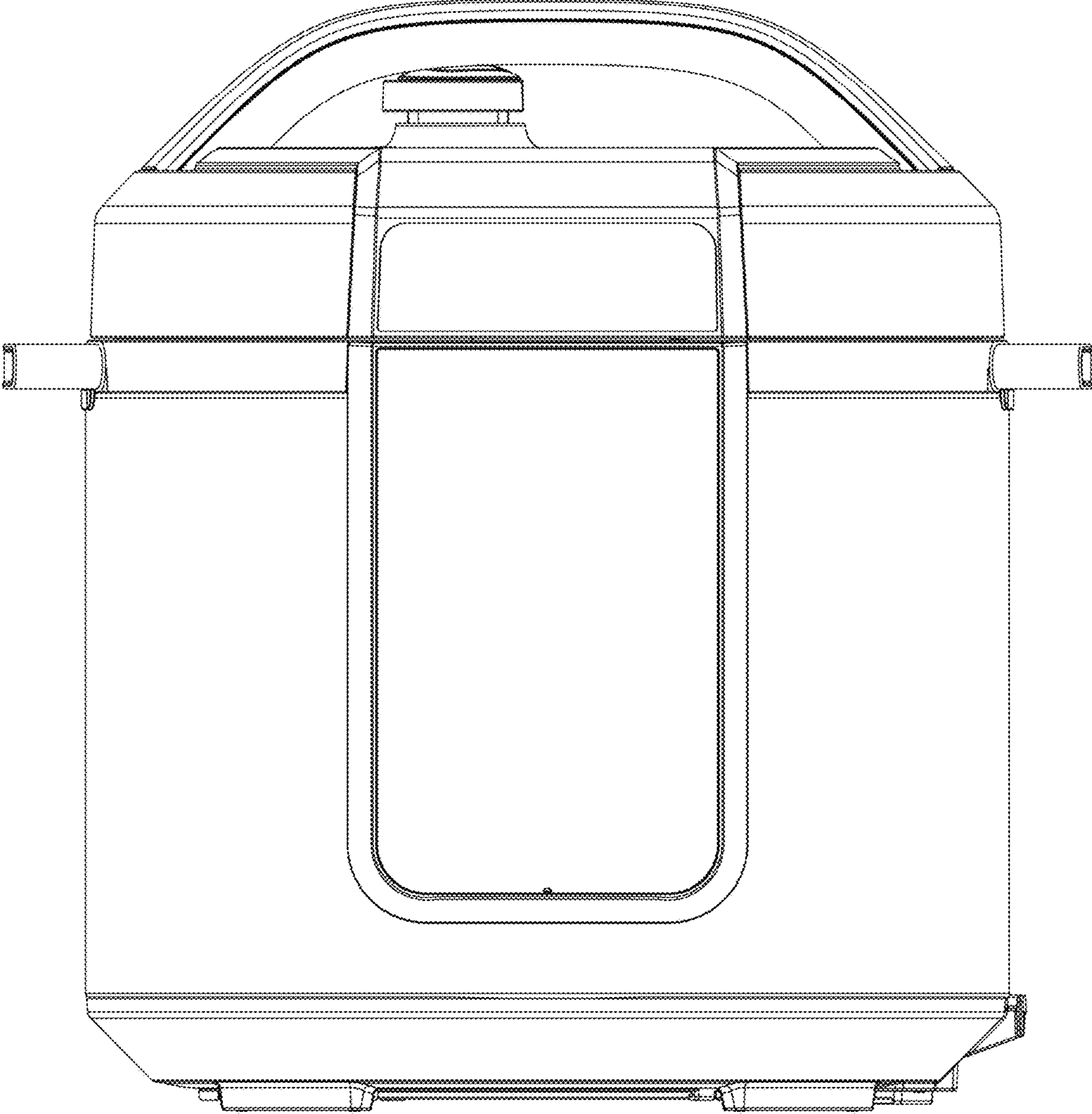
1.7: Perspective

The broken lines shown in reproduction 1.6 depict portions of the pressure cooker that form no part of the claimed design.

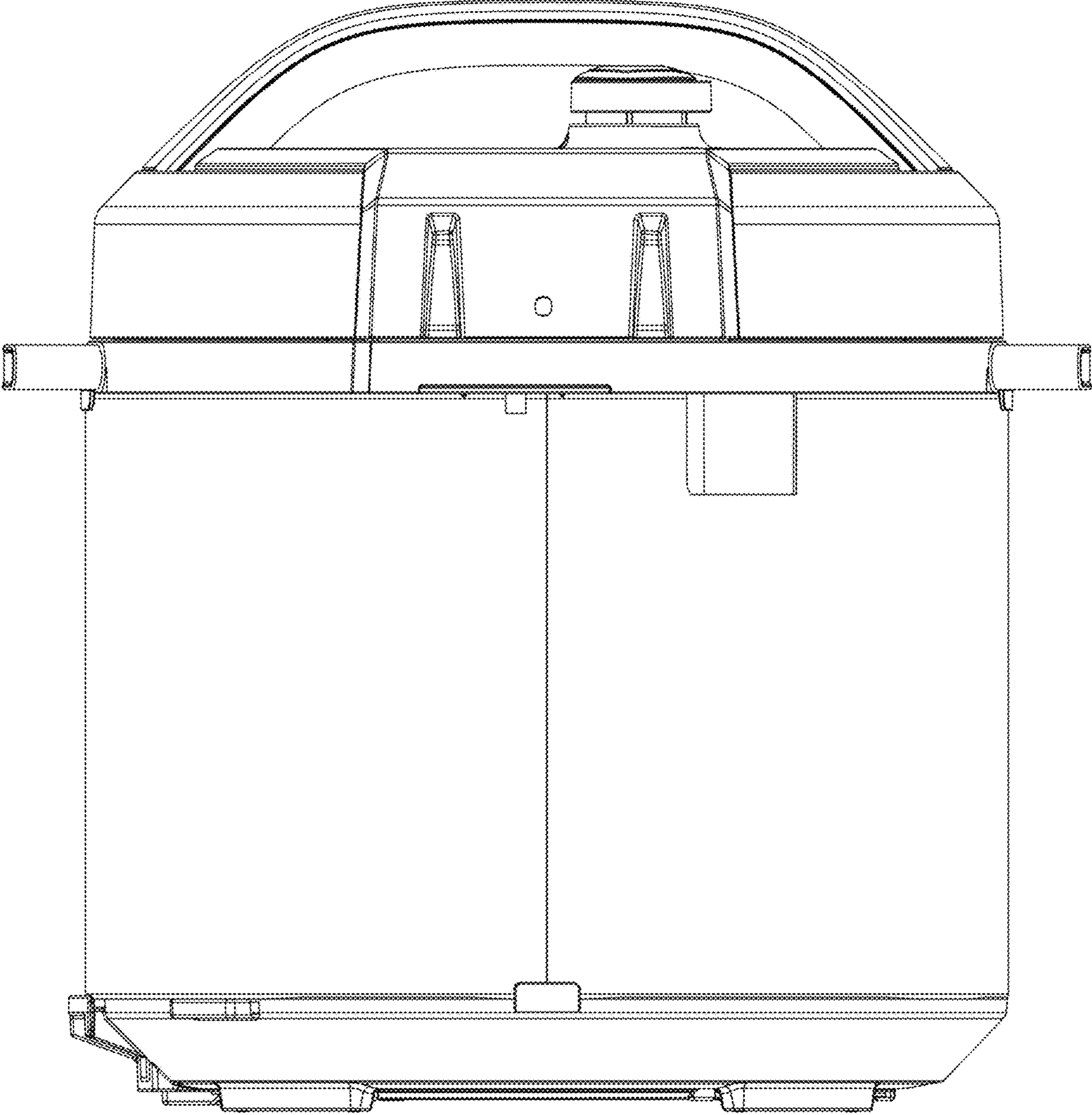
1 Claim, 7 Drawing Sheets



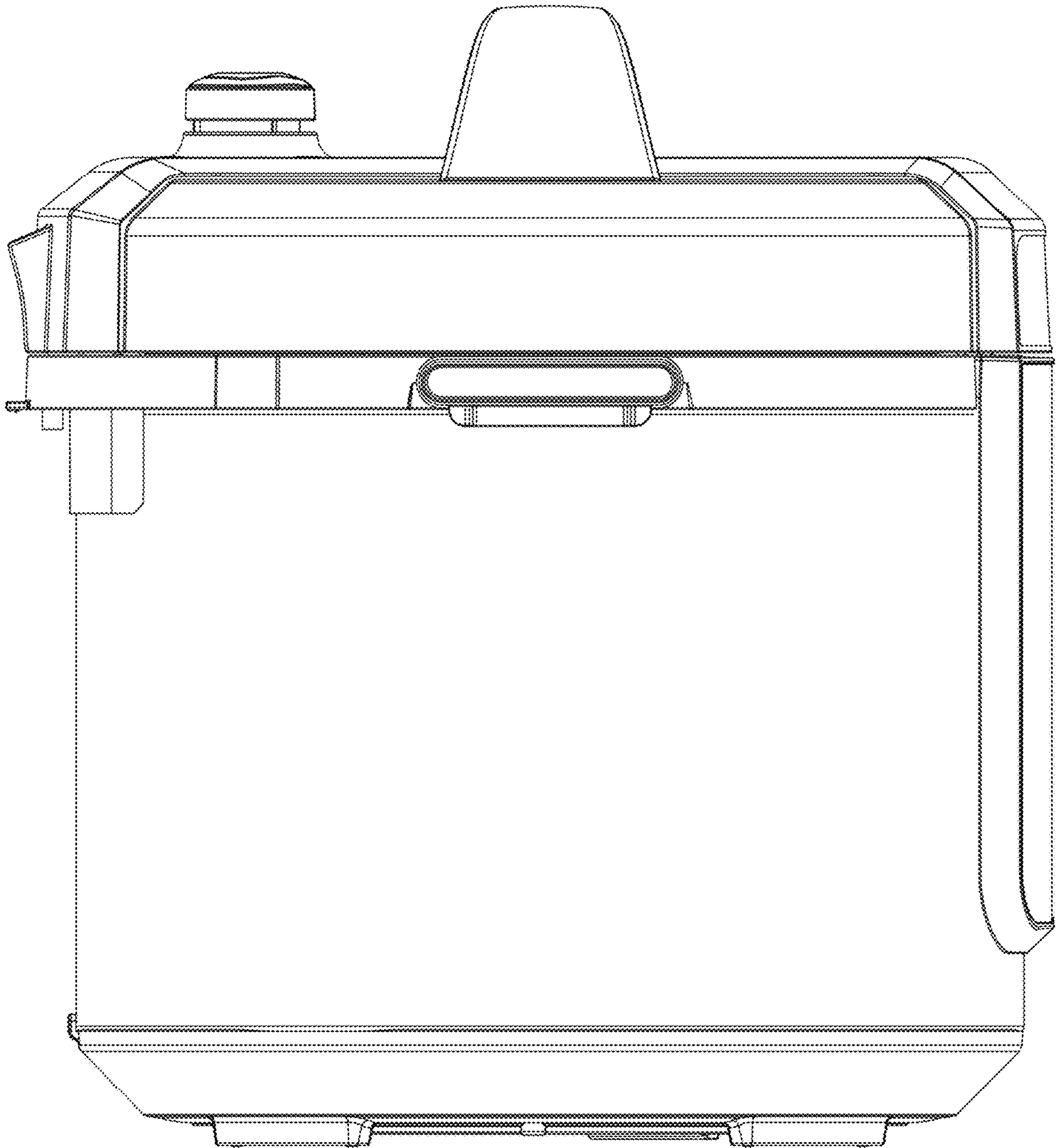
1.1



1.2



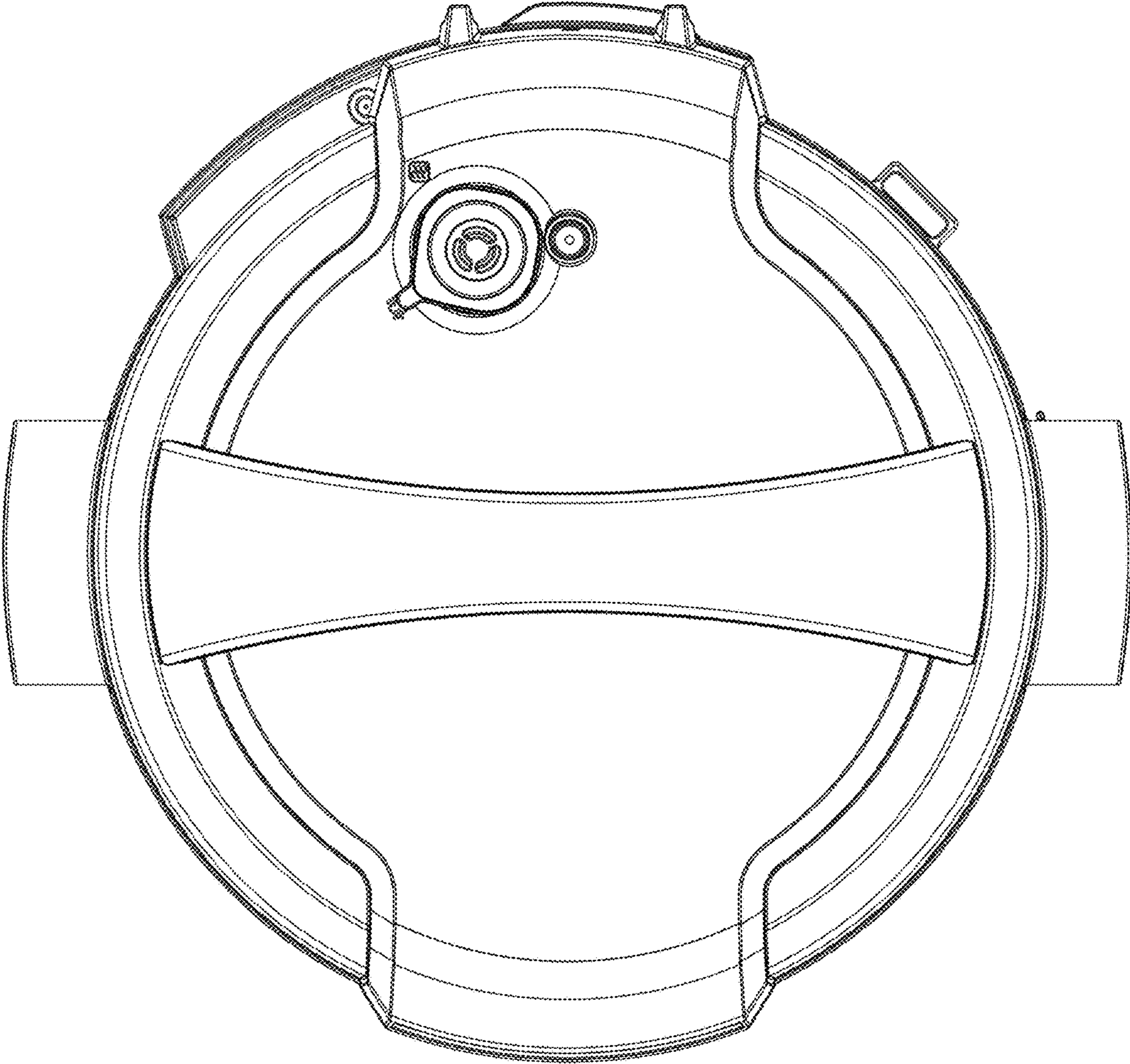
1.3

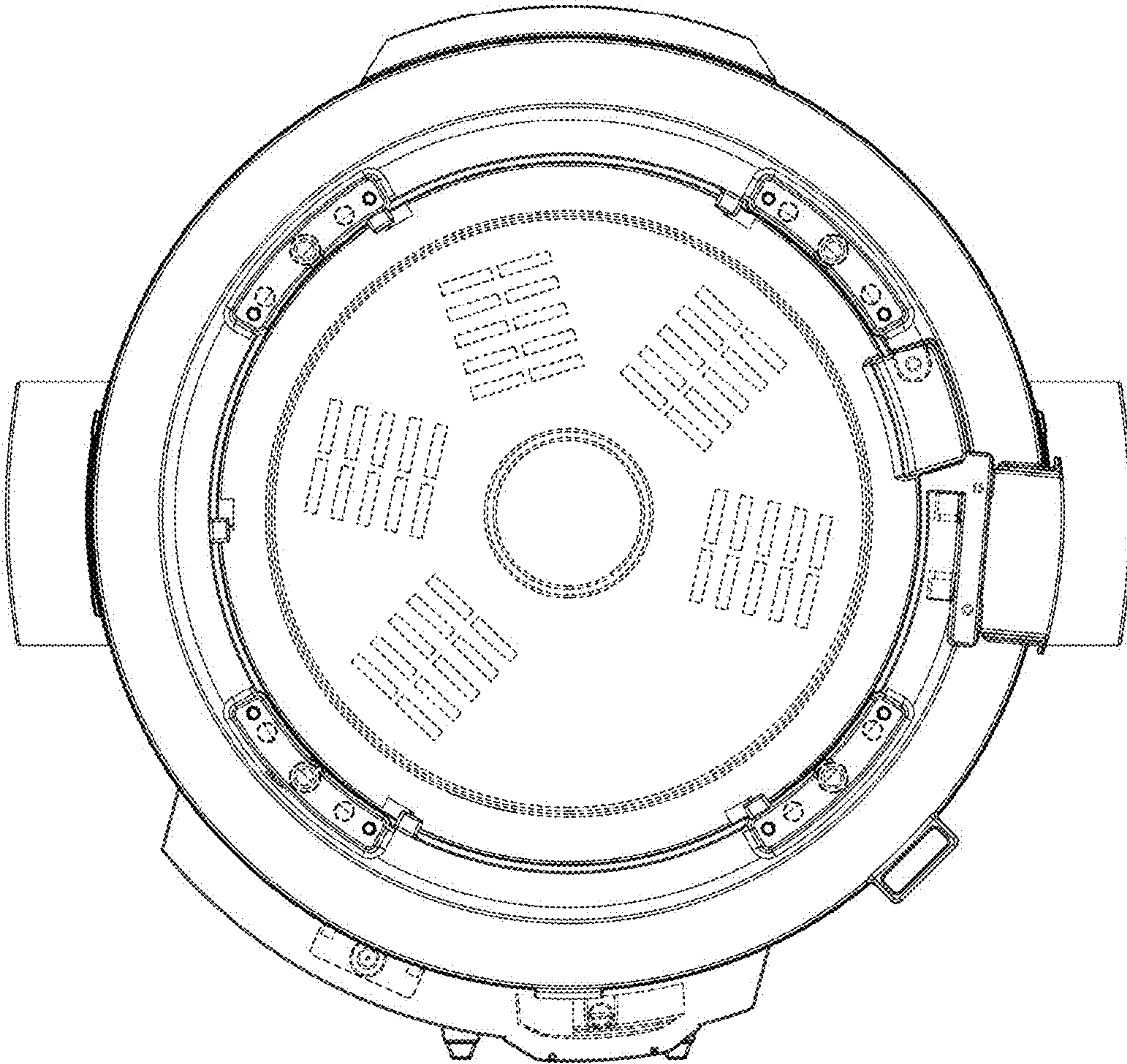


1.4



1.5





1.6

1.7

