



US00D974819S

(12) **United States Design Patent**  
**Zhou**

(10) **Patent No.:** **US D974,819 S**  
(45) **Date of Patent:** **\*\* Jan. 10, 2023**

(54) **OVEN**

(71) Applicant: **FOSHAN HANSHI HEATING  
EQUIPMENT MANUFACTURE  
CO., LTD., Foshan (CN)**

(72) Inventor: **Ming Zhou, Foshan (CN)**

(\*\*) Term: **15 Years**

(21) Appl. No.: **29/755,172**

(22) Filed: **Oct. 19, 2020**

(51) **LOC (14) Cl.** ..... **07-02**

(52) **U.S. Cl.**  
USPC ..... **D7/350.1**

(58) **Field of Classification Search**  
USPC ..... D7/323, 327, 328, 329, 332, 333, 334,  
D7/335, 339, 340, 341, 346, 347, 348,  
D7/350.1, 350.2, 350.3, 350.4, 352, 362,  
D7/365, 367, 402, 403, 404; D23/329,  
D23/338, 339, 342, 343, 402  
CPC ... A21B 2/00; A47J 33/00; A47J 36/38; A47J  
37/00; A47J 37/06; A47J 37/0623; A47J  
37/0629; A47J 37/0635; A47J 37/0647;  
A47J 37/0652; A47J 37/0658; A47J  
37/07; A47J 37/0704; A47J 37/0709;  
A47J 37/0713; A47J 37/0763; F24B  
1/181; F23B 20/00; F24C 1/16; F24C  
5/20

See application file for complete search history.

(56) **References Cited**

**U.S. PATENT DOCUMENTS**

1,199,605 A \* 9/1916 Potter ..... F24B 1/205  
126/29  
D245,509 S \* 8/1977 Ulmer ..... D23/343  
D251,385 S \* 3/1979 Zimmer ..... A47J 37/0658  
D23/343  
D272,557 S \* 2/1984 Williamson ..... D23/343  
6,213,004 B1 \* 4/2001 Franco ..... A47J 37/0629  
99/341

D517,853 S \* 3/2006 Mata, Jr. .... D7/332  
D845,695 S \* 4/2019 Wu ..... D7/334  
D849,908 S \* 5/2019 Wu ..... D23/343  
D853,774 S \* 7/2019 Tapaninaho ..... D7/339  
D862,969 S \* 10/2019 Tapaninaho ..... D7/339  
D887,767 S \* 6/2020 Huang ..... D7/323  
D909,551 S \* 2/2021 Wu ..... D23/342  
D925,962 S \* 7/2021 Tapaninaho ..... D7/332

(Continued)

**FOREIGN PATENT DOCUMENTS**

IE 23259-0001 \* 5/2021

**OTHER PUBLICATIONS**

Food Party Outdoor Pizza Oven, posted at Amazon.com on Jun. 30,  
2021, [site visited Apr. 7, 2022]. Available from internet, URL:  
<<https://www.amazon.com/Food-Party-Portable-Gas-Fired-Thermometer/dp/B0989VK3X1/>> (Year: 2021).\*

(Continued)

*Primary Examiner* — Andrew Kerr

*Assistant Examiner* — Chariton Alexakis

(74) *Attorney, Agent, or Firm* — Rumit Ranjit Kanakia

(57) **CLAIM**

The ornamental design for an oven, as shown and described.

**DESCRIPTION**

FIG. 1 is a first perspective view of an oven showing my new design;

FIG. 2 is a second perspective view thereof;

FIG. 3 is a front view thereof;

FIG. 4 is a back view thereof;

FIG. 5 is a left side view thereof;

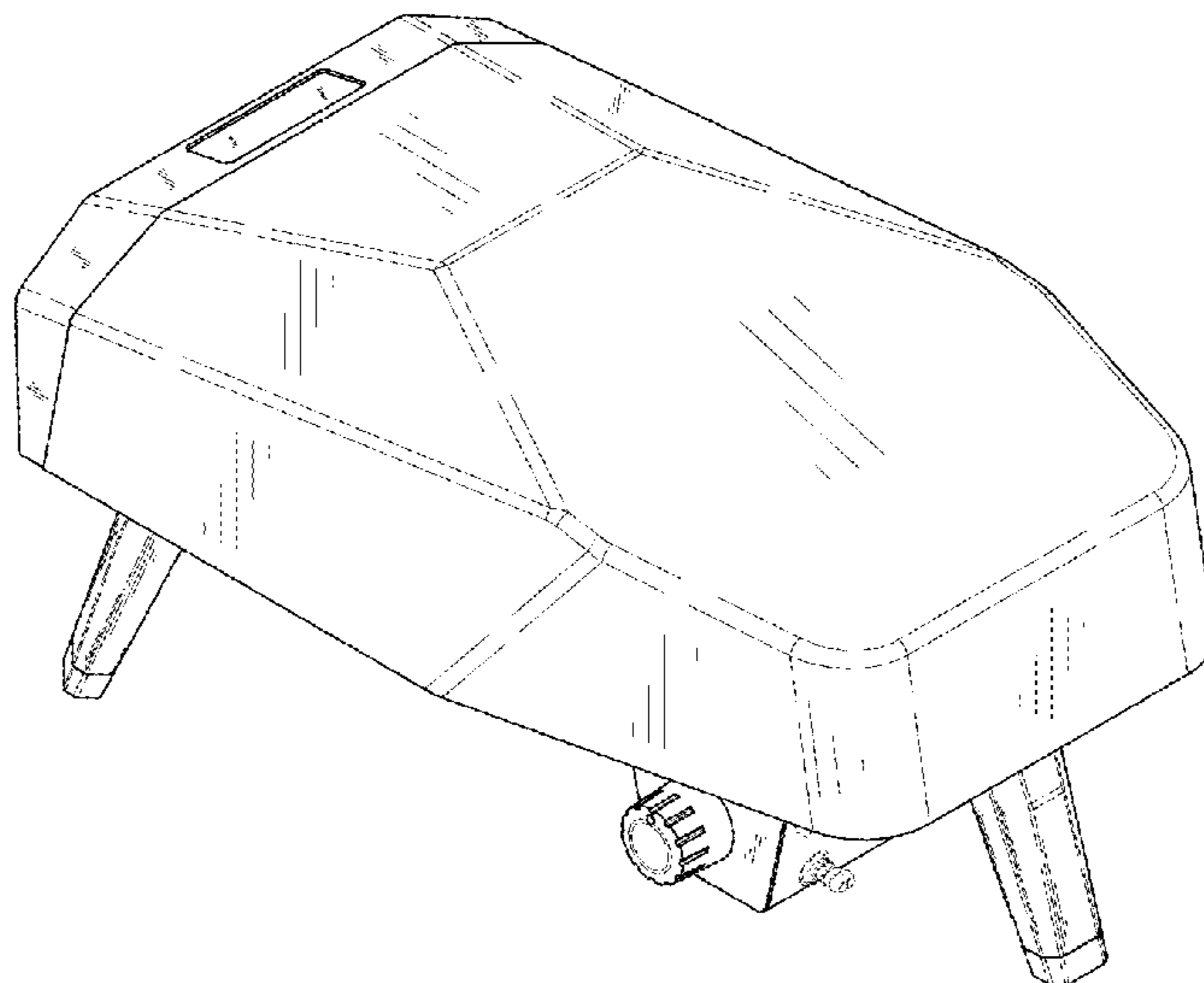
FIG. 6 is a right side view thereof;

FIG. 7 is a top view thereof; and,

FIG. 8 is a bottom view thereof.

The broken lines in the drawings depict portions of the oven that form no part of the claimed design.

**1 Claim, 8 Drawing Sheets**



(56)

**References Cited**

U.S. PATENT DOCUMENTS

2012/0167868 A1\* 7/2012 Chang ..... F24B 5/08  
126/273 R  
2019/0049117 A1\* 2/2019 Tapaninaho ..... A47J 37/0704  
2020/0229448 A1\* 7/2020 Moretti ..... F24C 15/08  
2020/0345176 A1\* 11/2020 Bert ..... F23Q 13/02  
2021/0392904 A1\* 12/2021 Raio ..... A47J 37/0658  
2021/0392905 A1\* 12/2021 Huang ..... A21B 1/33  
2022/0061588 A1\* 3/2022 Yan ..... A47J 37/0658

OTHER PUBLICATIONS

Ooni Koda 12 Gas Pizza Oven, posted at Amazon.com on (date not available), [site visited Apr. 8, 2022]. Available from internet, URL: <<https://www.amazon.com/Ooni-UU-P06A00-Koda-Oven-Black/dp/B07PN5R5WY/>> (Year: NA).\*

\* cited by examiner

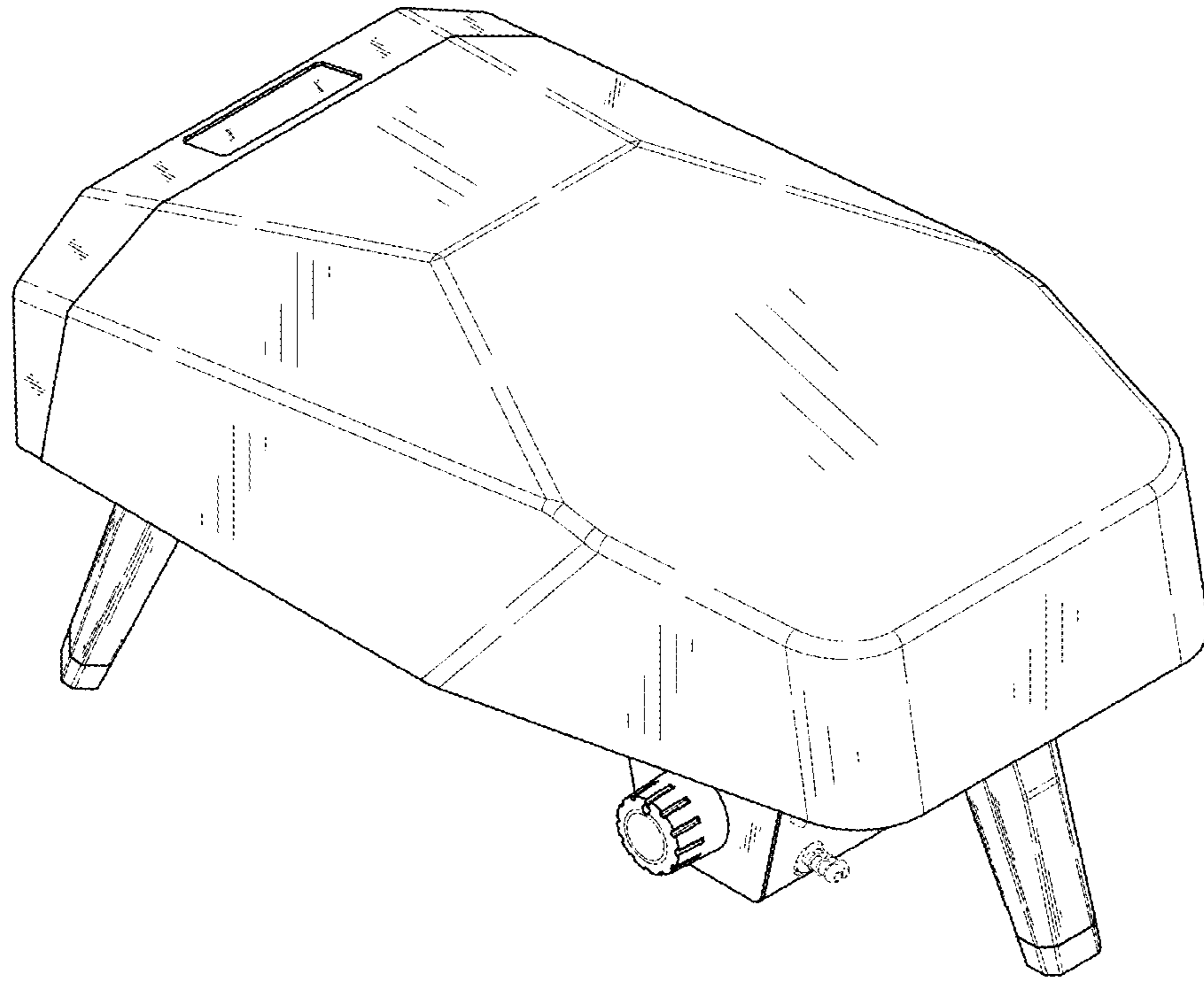


FIG. 1

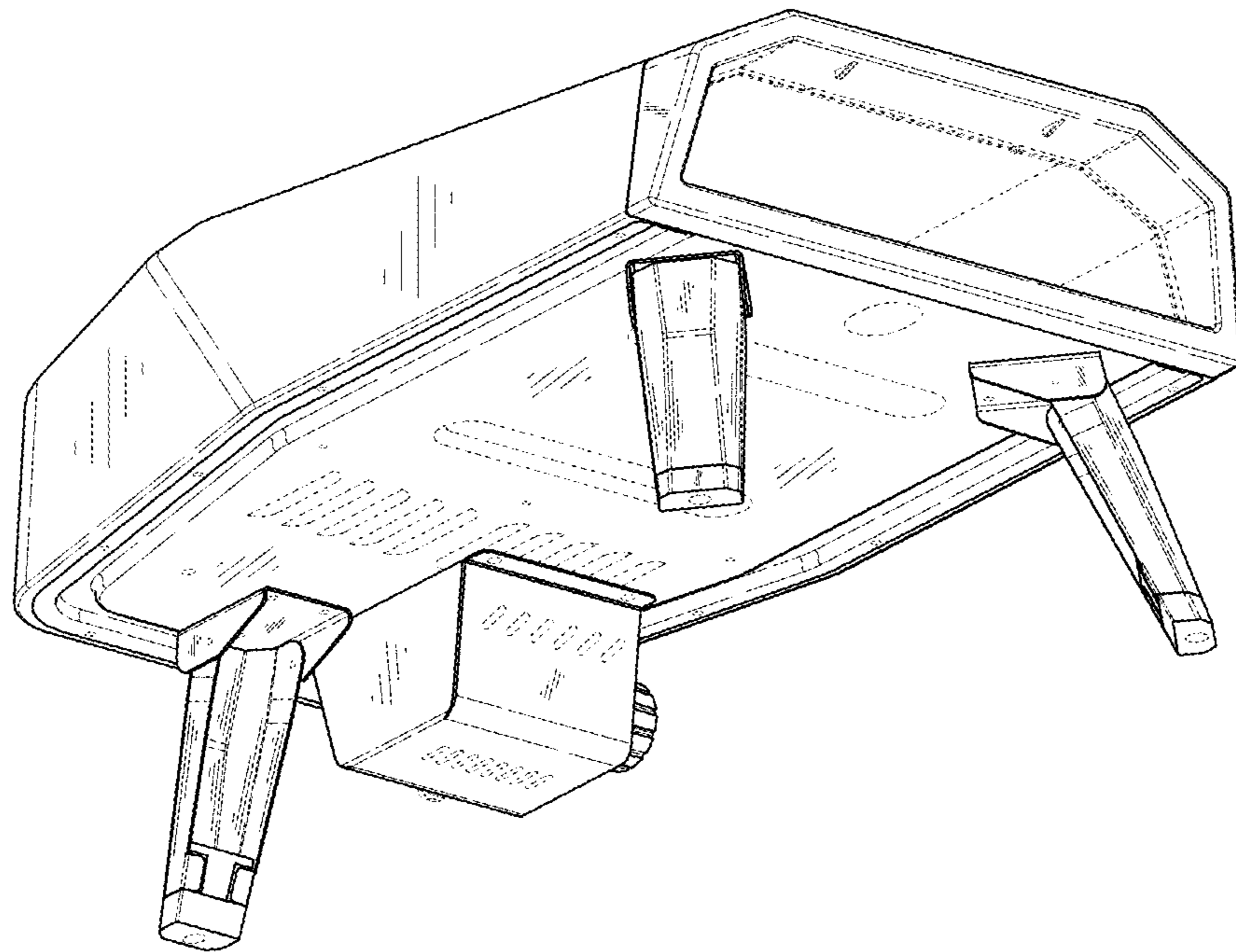


FIG. 2

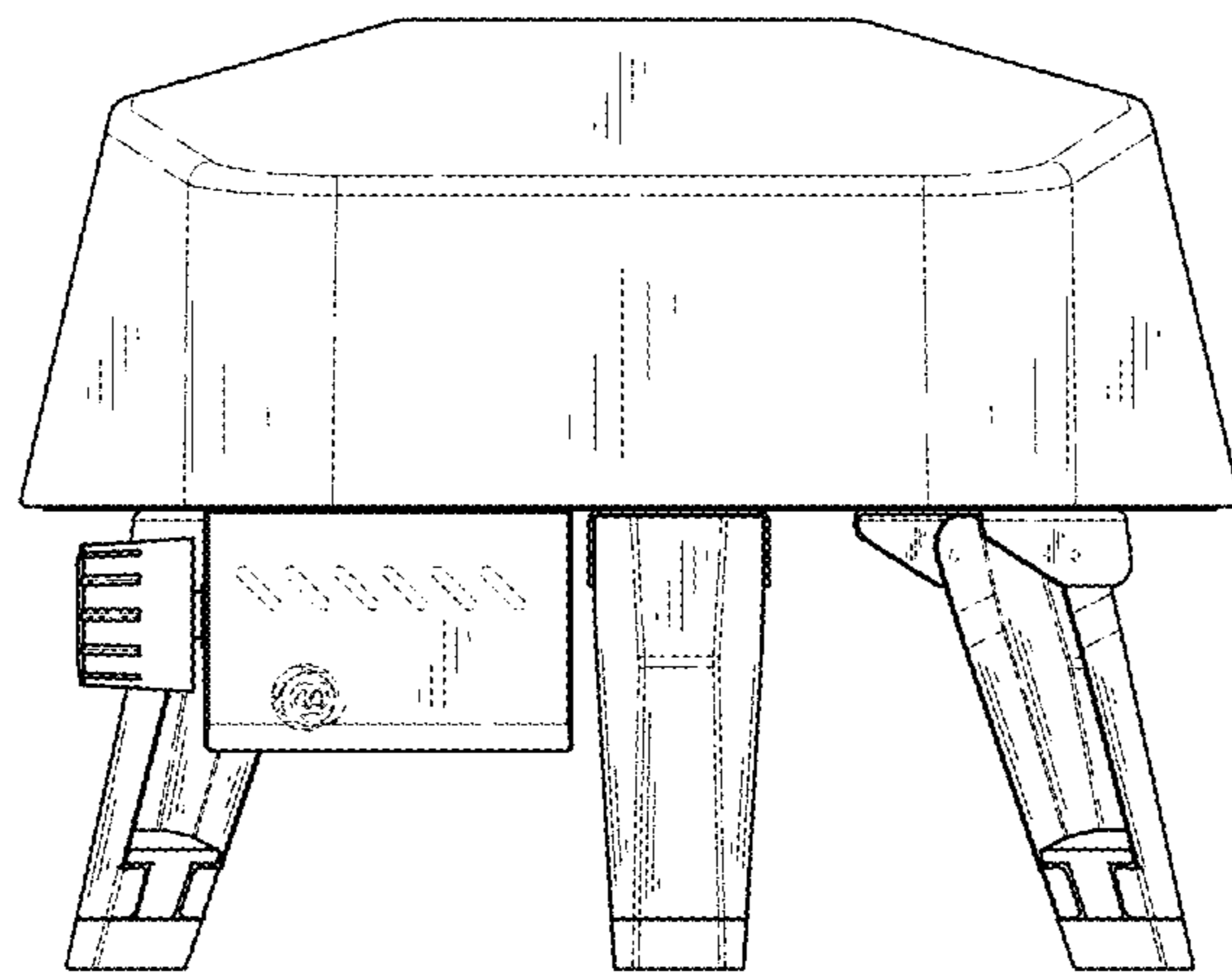


FIG. 3

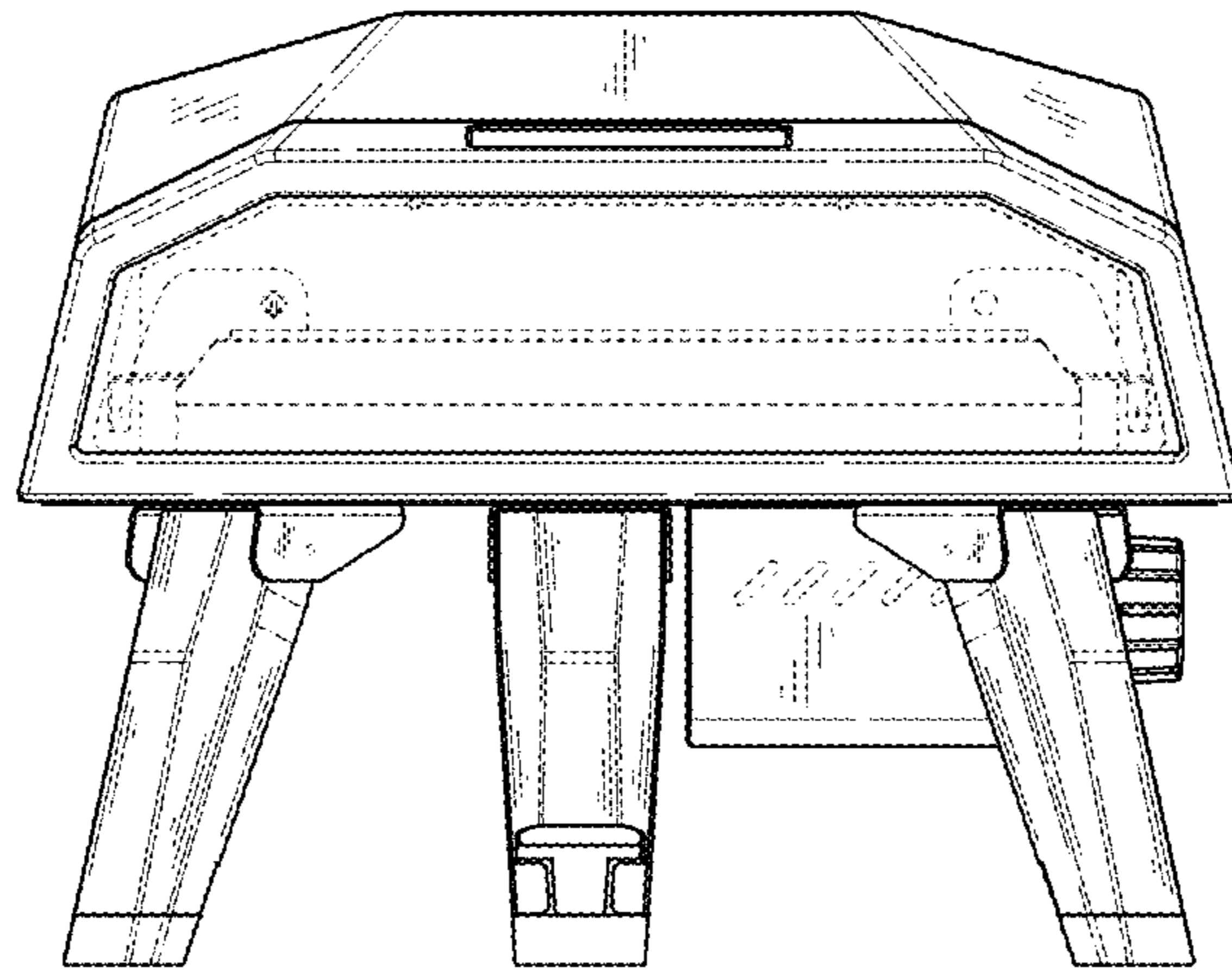


FIG. 4



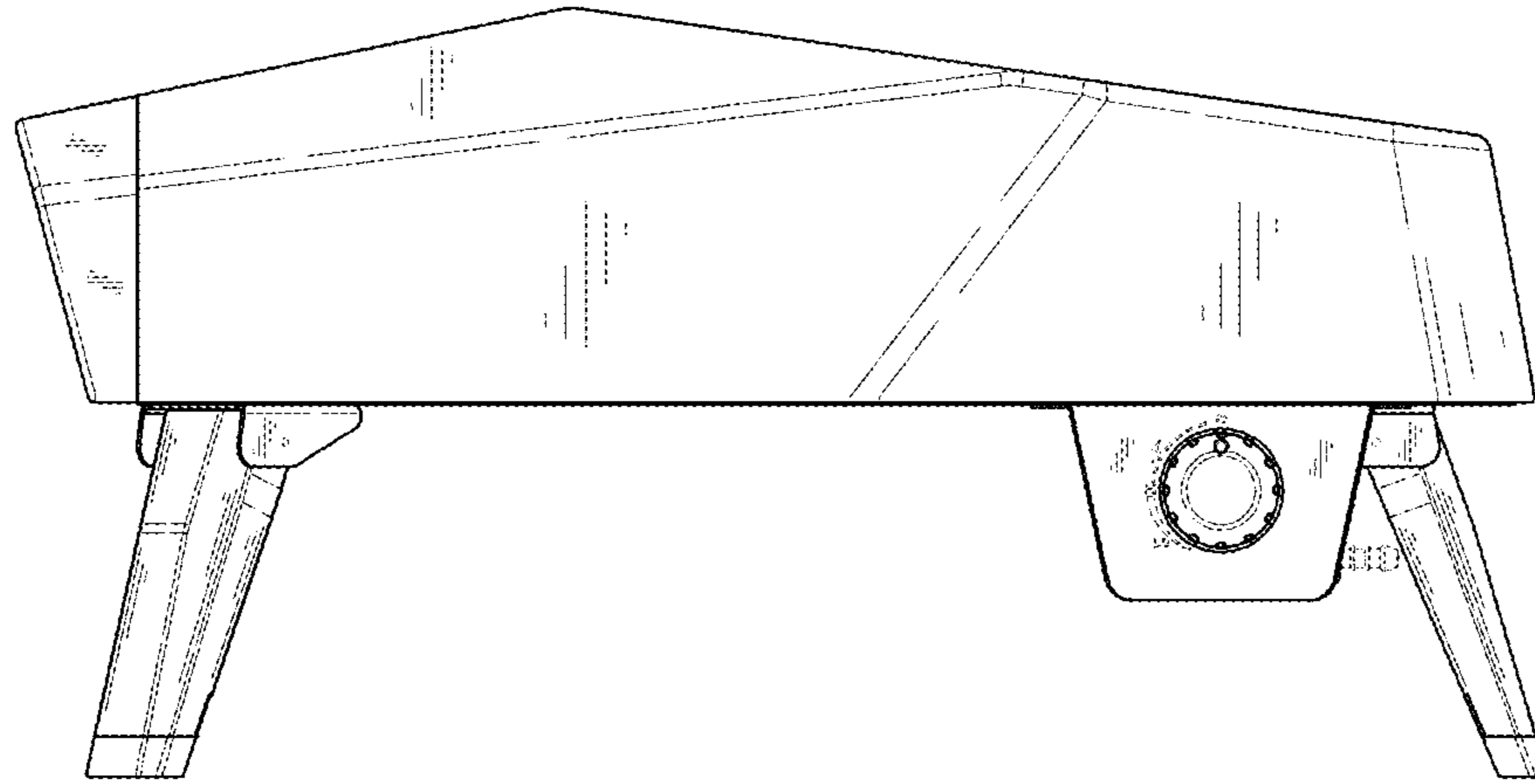


FIG. 5

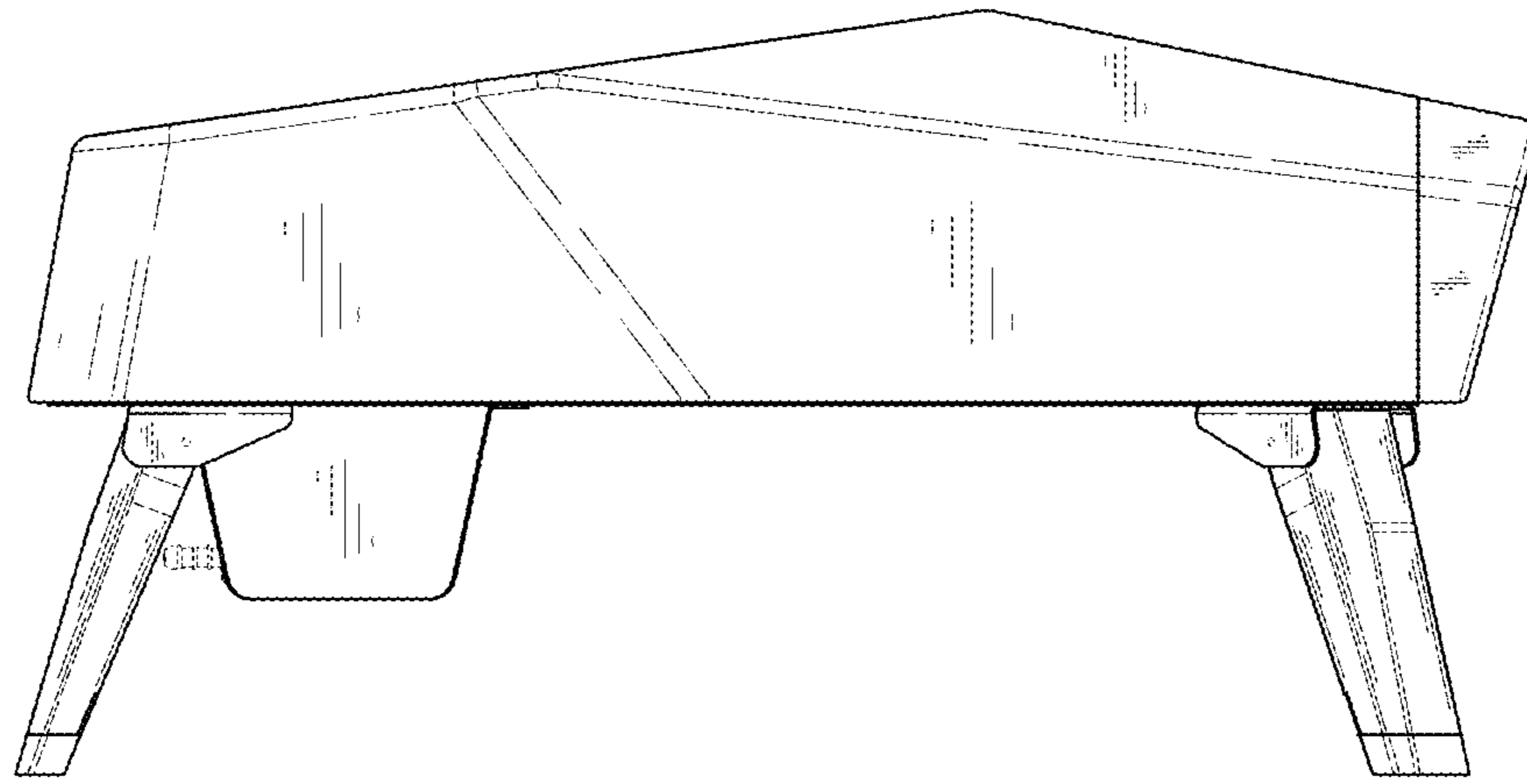


FIG. 6



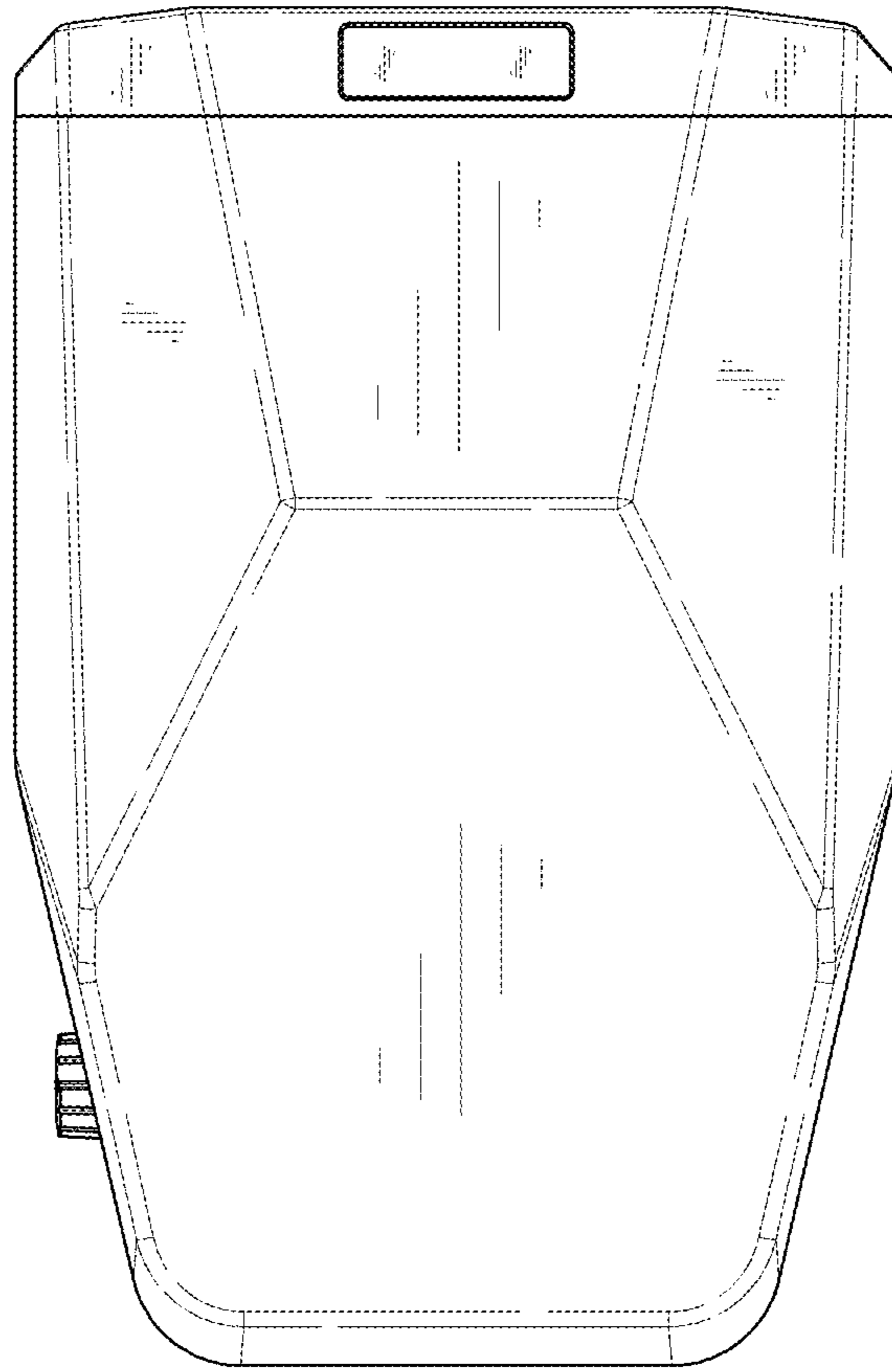


FIG. 7

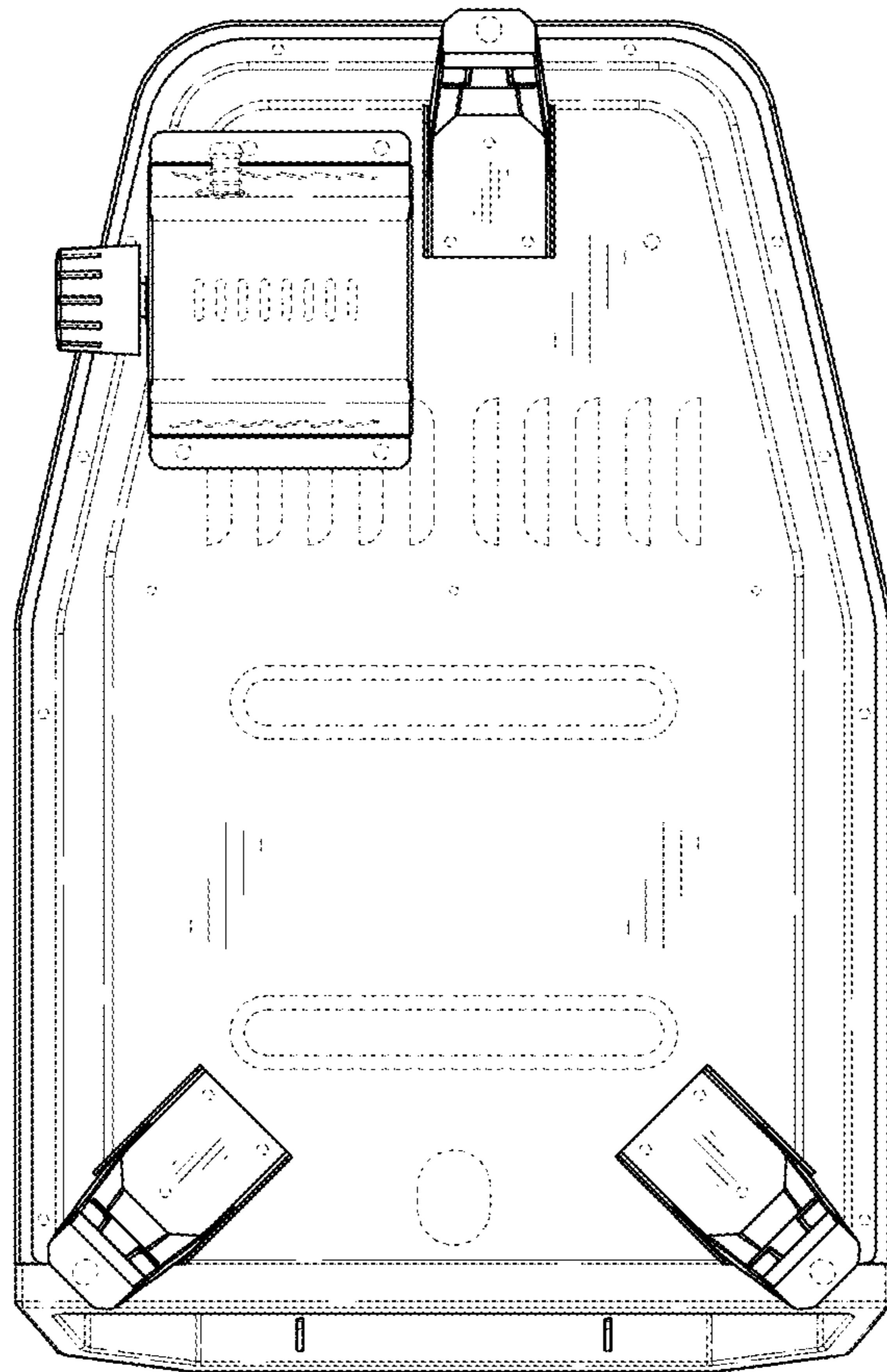


FIG. 8