



US00D974817S

(12) **United States Design Patent**
Sowden

(10) **Patent No.:** **US D974,817 S**

(45) **Date of Patent:** **** Jan. 10, 2023**

(54) **TOASTER**

(71) Applicant: **HAY ApS**, Horsens (DK)

(72) Inventor: **George Sowden**, Milan (IT)

(73) Assignee: **HAY APS**, Horsens (DK)

(**) Term: **15 Years**

(21) Appl. No.: **29/732,441**

(22) Filed: **Apr. 24, 2020**

(30) **Foreign Application Priority Data**

Jan. 30, 2020 (EM) 007569454-0002

(51) **LOC (14) Cl.** **07-02**

(52) **U.S. Cl.**
USPC **D7/330**

(58) **Field of Classification Search**
USPC D7/328, 329, 330, 331, 339, 340, 341,
D7/342, 343, 344, 345, 346, 347, 348,
D7/349, 351, 352, 390, 402, 405, 406;
D21/523, 524
CPC A47J 37/08; A47J 37/0807; A47J 37/0814;
A47J 37/0821; A47J 37/0828; A47J
37/0835; A47J 37/0842; A47J 37/085;
A47J 37/0857; A47J 37/0864; A47J
37/0871; A47J 37/0878; A47J 37/0885;
A47J 37/0892; A47J 37/0611; A47J
37/0623; A47J 37/0629; A47J 37/00;
A47J 37/04; A47J 37/06; A21B 1/00;
A21B 1/52; A21B 5/00; F24C 15/02;
F24C 15/04; F24C 15/10

See application file for complete search history.

(56) **References Cited**

U.S. PATENT DOCUMENTS

D270,223 S * 8/1983 Miyake D7/330
D315,273 S * 3/1991 Myerly D7/330

D328,685 S * 8/1992 Wolfe D7/328
D369,715 S * 5/1996 Roze D7/330
D395,978 S * 7/1998 Lin D7/330
D396,164 S * 7/1998 Stutzer D7/330
D425,358 S * 5/2000 Hughes D7/330
6,502,502 B1 * 1/2003 Sutton A47J 37/0814
99/329 P
D497,279 S * 10/2004 Morrison D7/330
D505,584 S * 5/2005 Sowden D7/330
D525,817 S * 8/2006 Brown D7/330

(Continued)

FOREIGN PATENT DOCUMENTS

EM 006754727-0006 * 8/2019
EM 008567515-0001 * 6/2021

(Continued)

OTHER PUBLICATIONS

Sowden Toaster, no announcement date [online], retrieved Jul. 13, 2021, retrieved from internet, <https://hay.dk/en/hay/accessories-8b1762fc/kitchen/cooking-ff2368d1/sowden-toaster>.*

(Continued)

Primary Examiner — Messina L Smith
(74) *Attorney, Agent, or Firm* — Cantor Colburn LLP

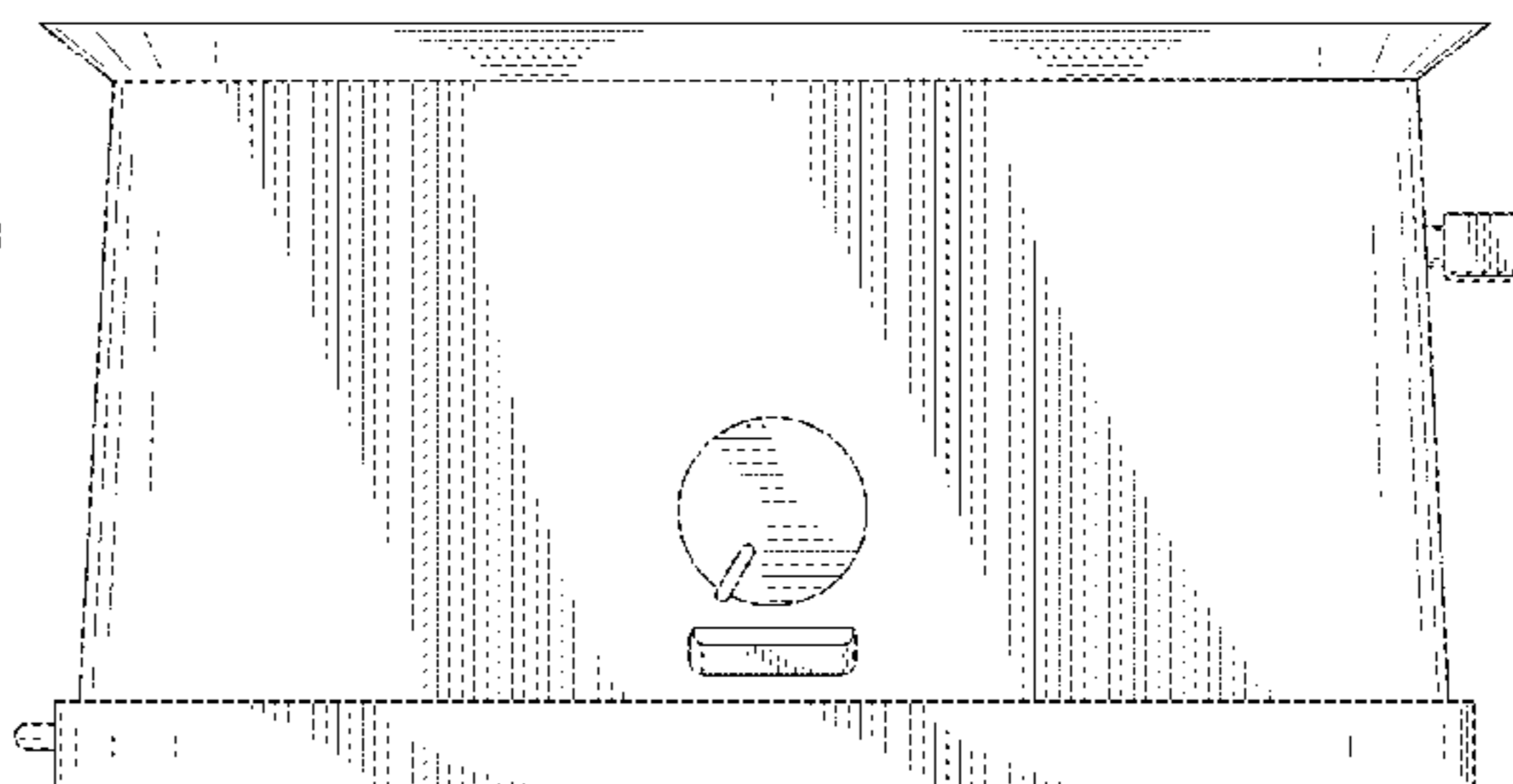
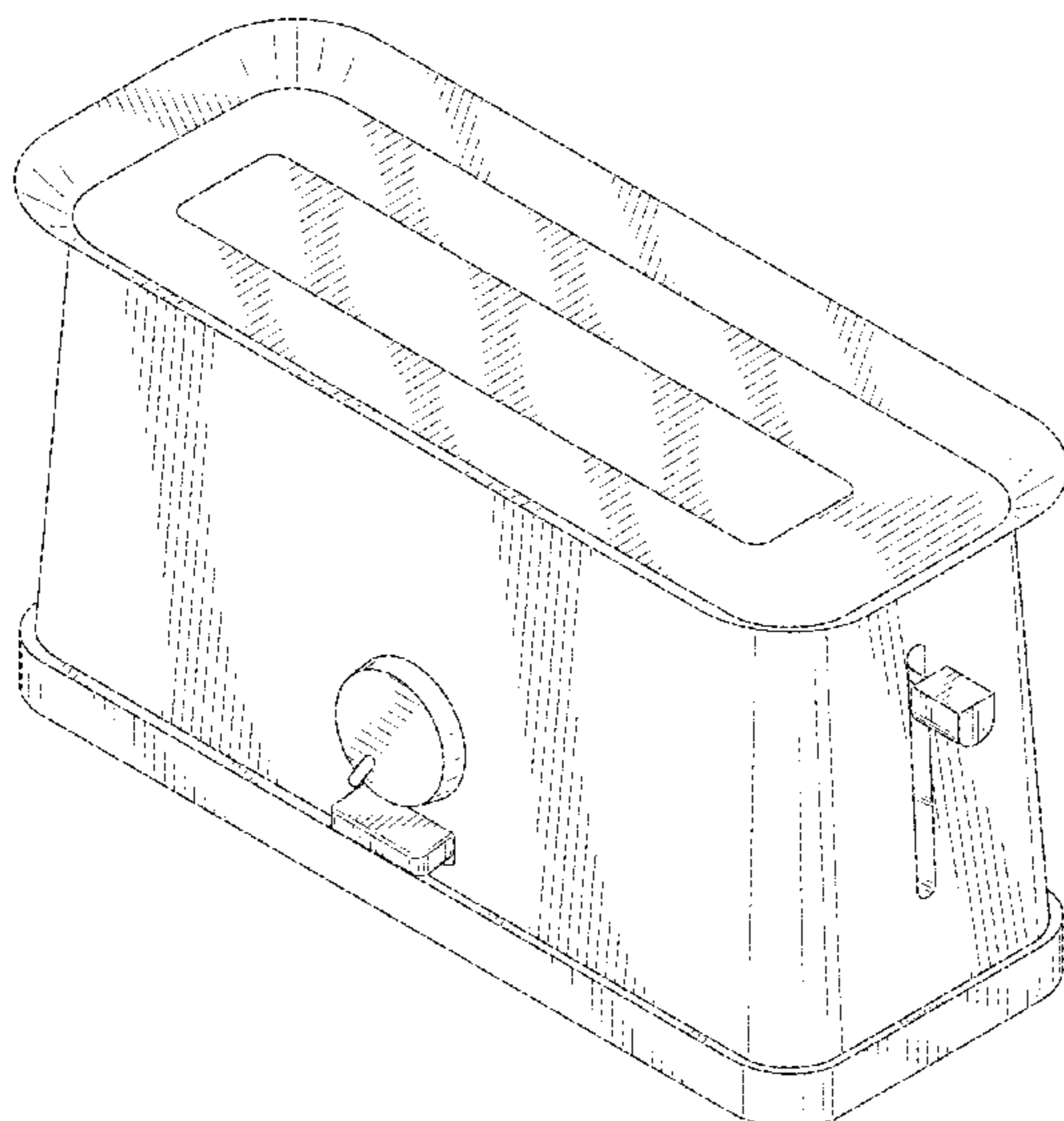
(57) **CLAIM**

I claim, the ornamental design for a toaster, as shown and described.

DESCRIPTION

FIG. 1 is a perspective view of a toaster, showing my new design;
FIG. 2 is a front view thereof;
FIG. 3 is a rear view thereof;
FIG. 4 is a top view thereof;
FIG. 5 is a bottom view thereof;
FIG. 6 is a side view thereof; and,
FIG. 7 is an opposite side view thereof.

1 Claim, 4 Drawing Sheets



(56)

References Cited

U.S. PATENT DOCUMENTS

D583,184 S * 12/2008 Delong D7/329
 D590,200 S * 4/2009 Mullen D7/330
 D726,489 S * 4/2015 Brook D7/330
 D751,853 S * 3/2016 Hunt D7/330
 D759,417 S * 6/2016 Carpenter D7/330
 D809,327 S * 2/2018 Chalk D7/330
 D810,492 S * 2/2018 Carpenter D7/330
 D811,152 S * 2/2018 Barquin D7/330
 D841,386 S * 2/2019 McConnell D7/330
 D843,769 S * 3/2019 Chen D7/330
 10,278,540 B1 * 5/2019 Huggins A47J 37/0857
 D862,966 S * 10/2019 Brook D7/330
 2001/0016222 A1 * 8/2001 Tomsich A47J 37/08
 426/523
 2013/0177687 A1 * 7/2013 Cheung A23L 5/15
 426/466
 2014/0322408 A1 * 10/2014 Khosla A47J 37/0892
 426/383
 2019/0059653 A1 * 2/2019 Leng A47J 37/08
 2020/0253411 A1 * 8/2020 Gray A47J 37/0885
 2021/0121018 A1 * 4/2021 Denham A47J 37/0807

FOREIGN PATENT DOCUMENTS

KR 3010771280002 * 12/2020
 RU 00123929 * 2/2021

OTHER PUBLICATIONS

HAY Sowden Toaster by George Sowden, announced Aug. 6, 2020 [online], retrieved Jul. 13, 2021, retrieved from internet, <https://www.youtube.com/watch?v=3HoFnM8QB5M>.
 YOPIDOF0 Toaster 2 Slice, announced Oct. 10, 2020 [online], retrieved Jul. 13, 2021, retrieved from internet, https://www.amazon.com/YOPIDOF0-Toaster-Functions-Settings-Removable/dp/B08KZG97R8/ref=asc_df_B08KZG97R8/?tag=hyprod-20&linkCode=df0&hvadid=475811797624&hvpos=&hvnetw=g&hvrnd=16185784438346951082&hvpone=&hvptwo=&hvqmt=&hvdev=c&hvdvcm1=&hvlocint=&hvlocphy=1027019&hvtargid=pla-1124869608423&pssc=1.
 KitchenAid Almond Cream Manual Control Long Slot Toaster, announced © 2020 [online], retrieved Jul. 13, 2021, retrieved from internet, <https://www.hartsofstur.com/kitchenaid-almond-cream-manual-control-long-slot-toaster-5kmt4116bac.html>.

* cited by examiner

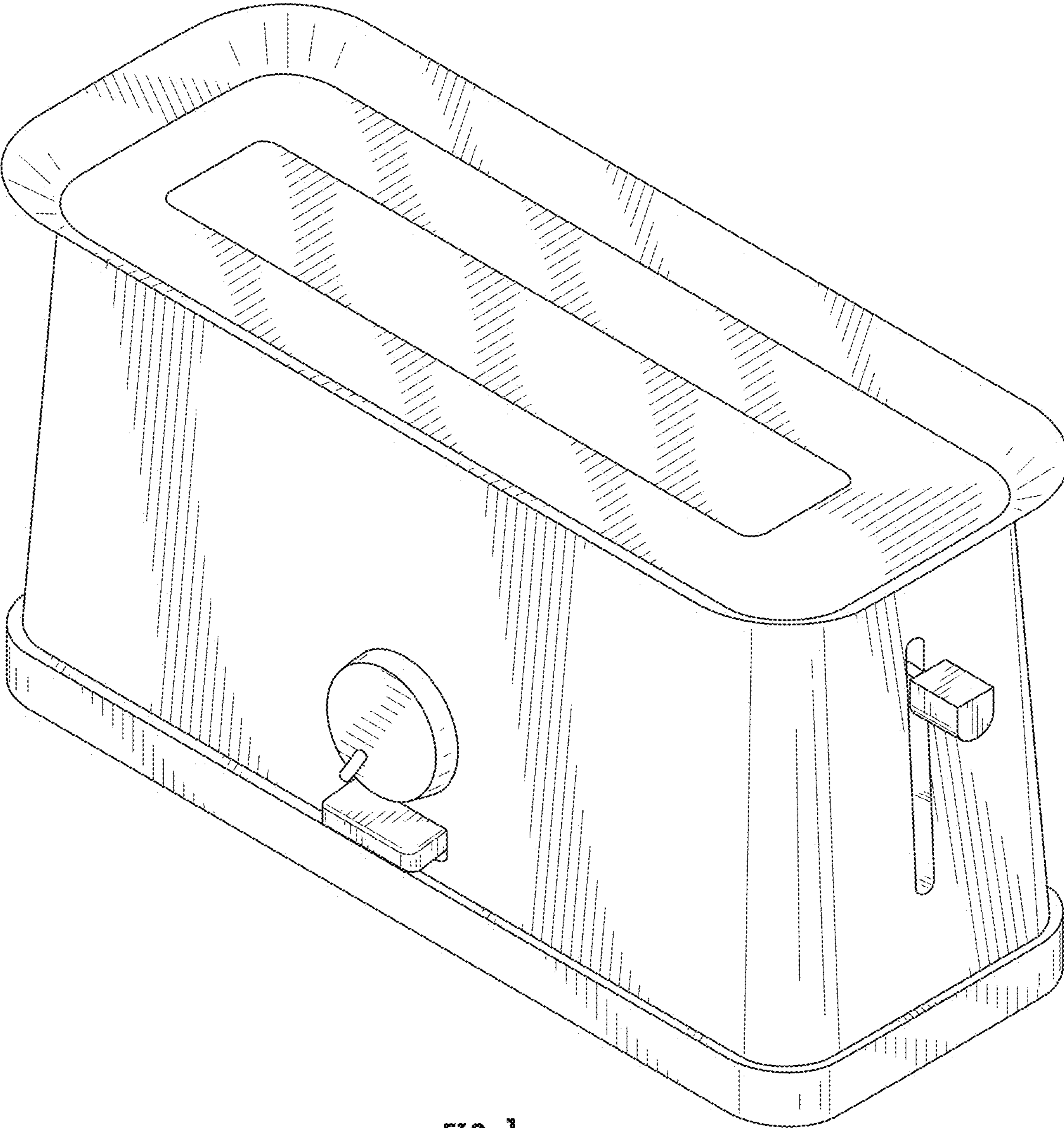


FIG. 1

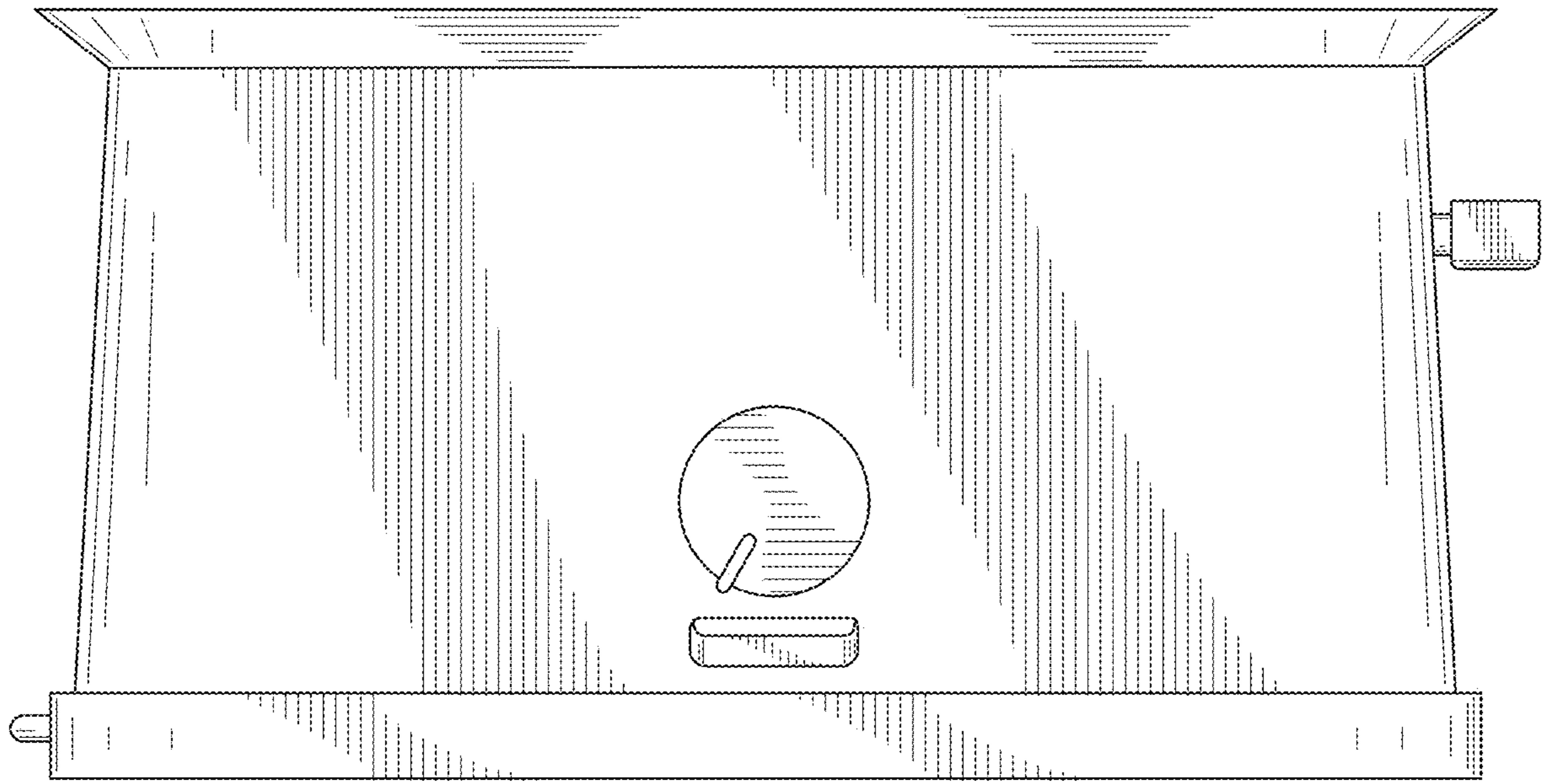


FIG. 2

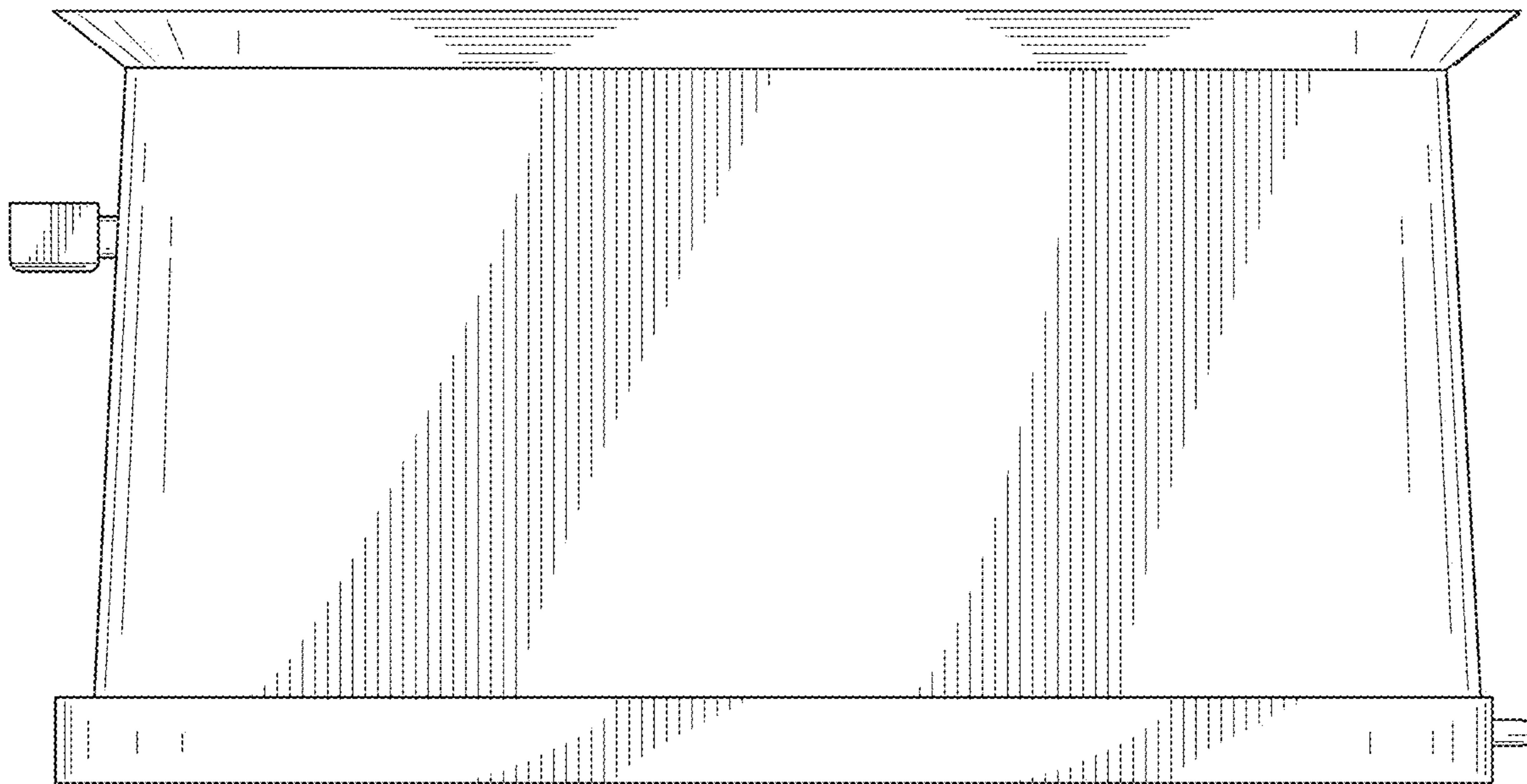


FIG. 3

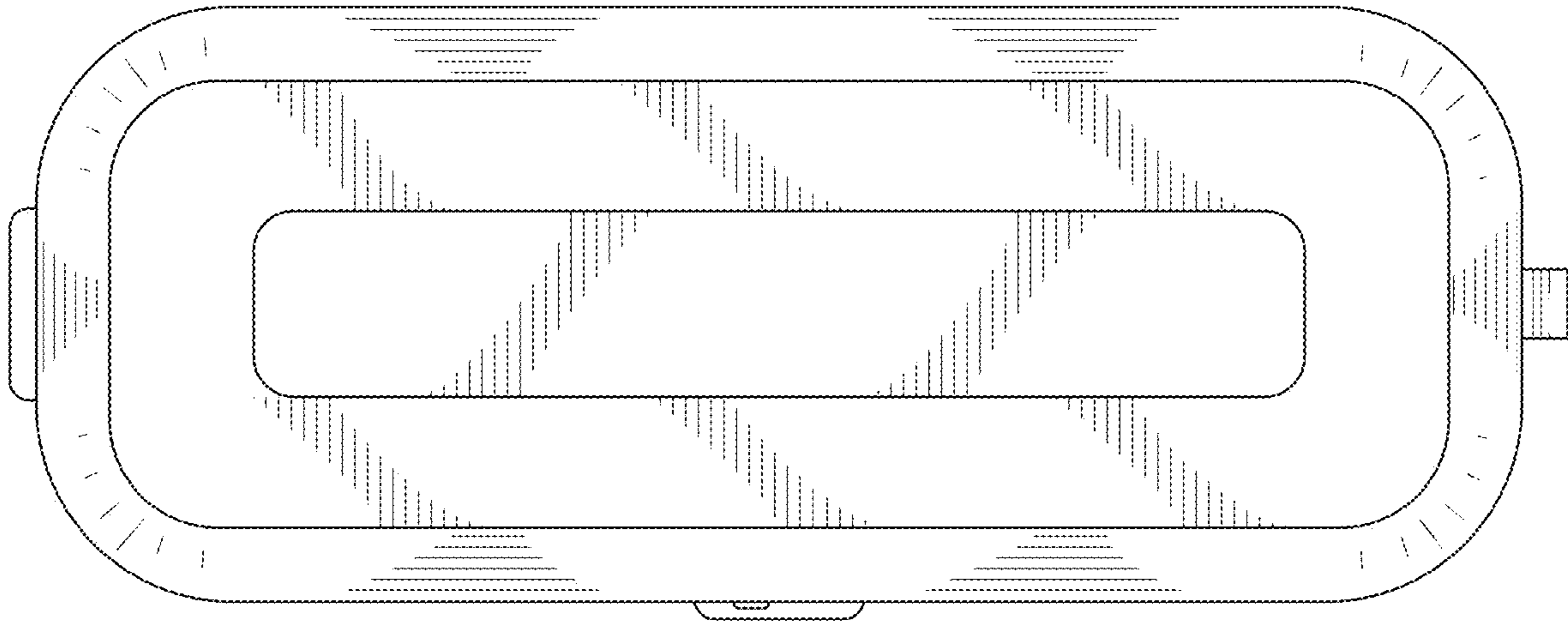


FIG. 4

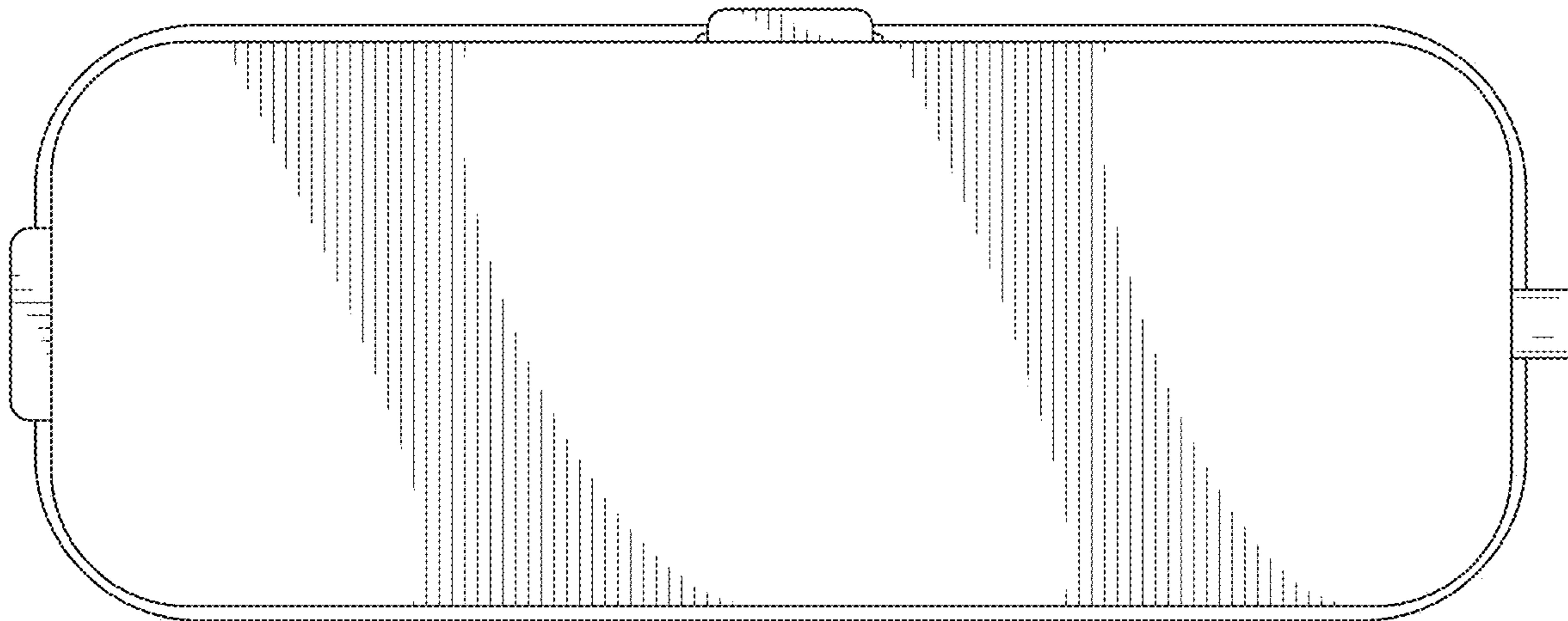


FIG. 5

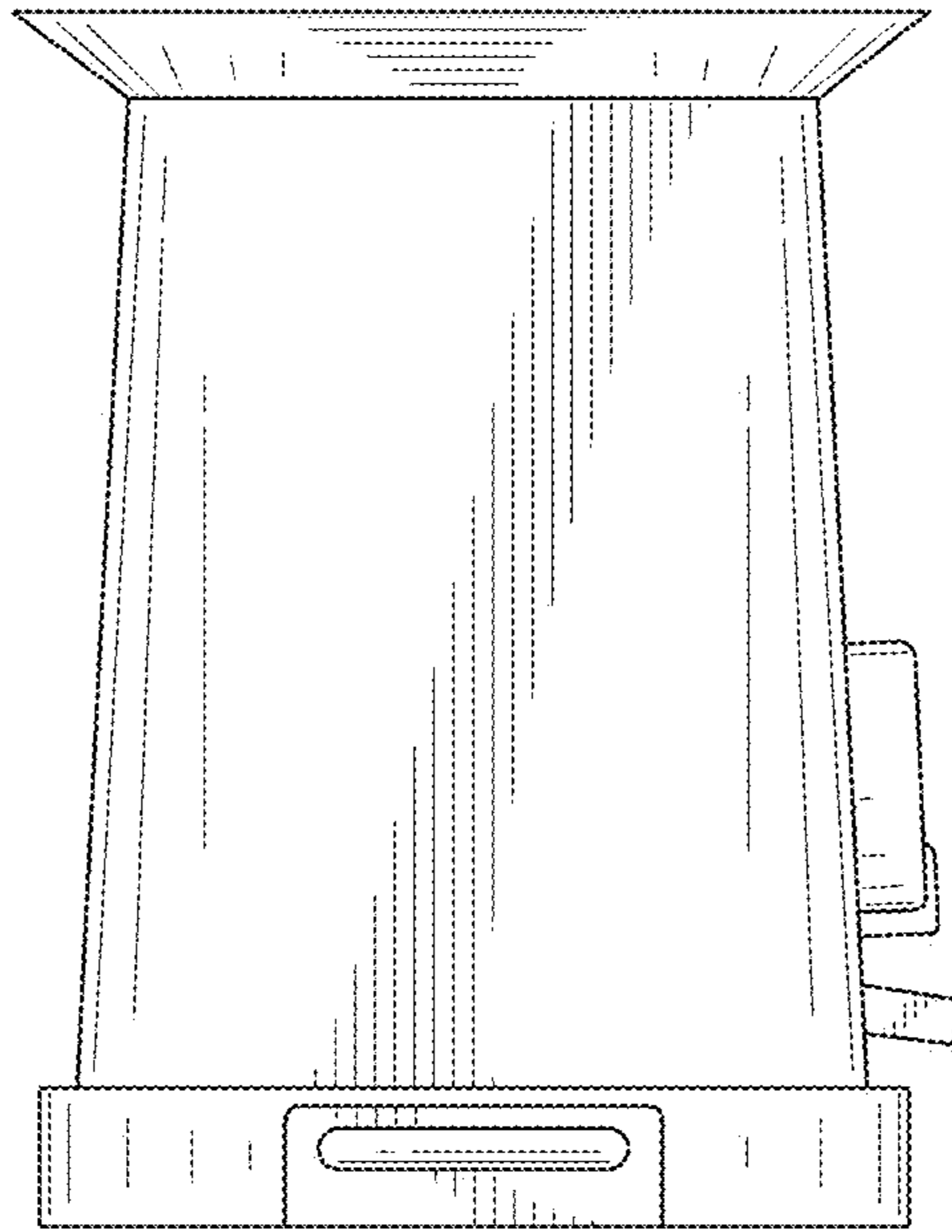


FIG. 6

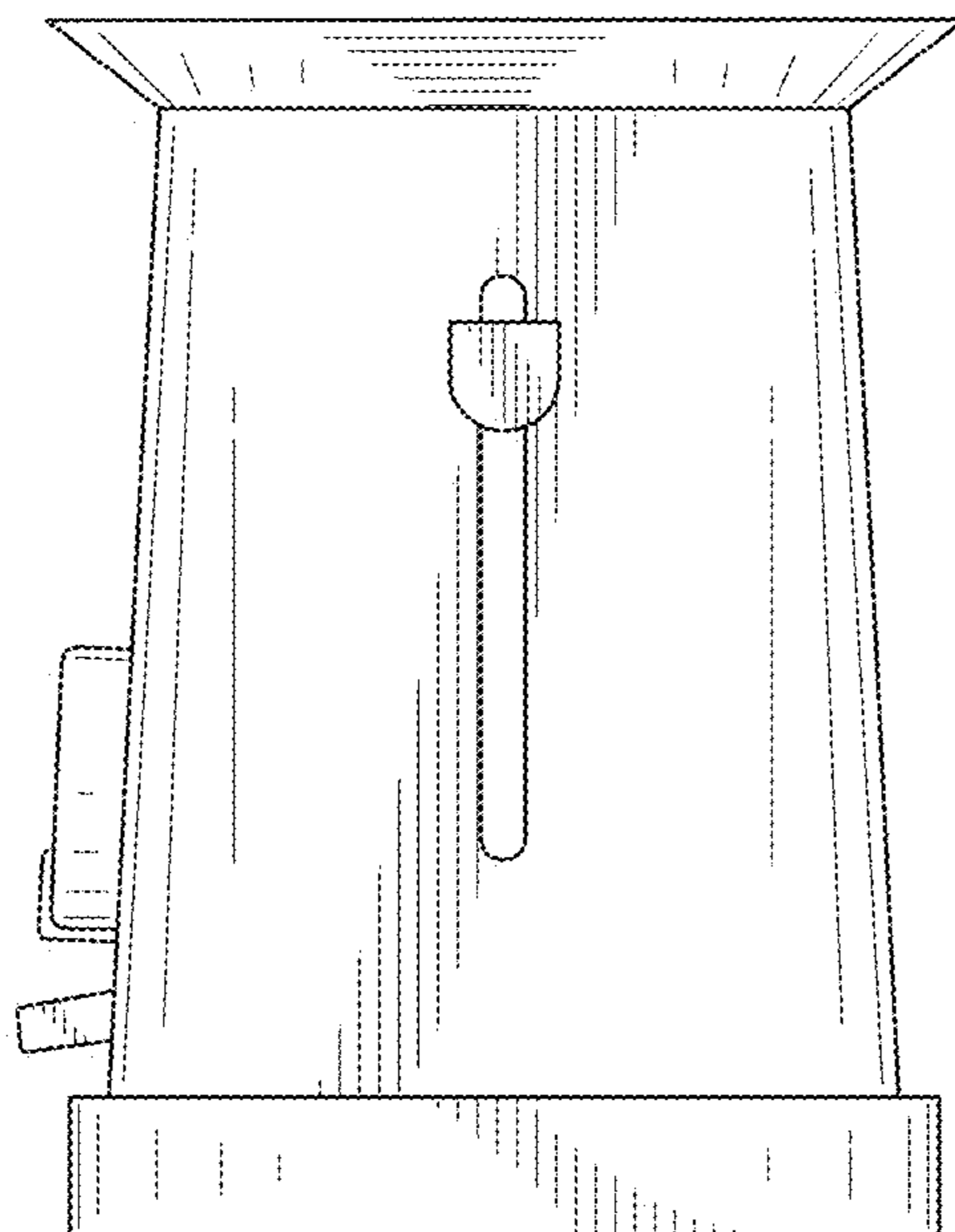


FIG. 7