



US00D974816S

(12) **United States Design Patent** (10) **Patent No.:** **US D974,816 S**
Hedberg et al. (45) **Date of Patent:** **** Jan. 10, 2023**

(54) **ARMREST**

FOREIGN PATENT DOCUMENTS

(71) Applicants: **Brad M. Hedberg**, Winnetka, IL (US);
Kirsten E. Hedberg, Winnetka, IL
(US); **Katie A. Hedberg**, Winnetka, IL
(US)

CN 210227474 U 4/2020
CN 212117635 U 12/2020
(Continued)

(72) Inventors: **Brad M. Hedberg**, Winnetka, IL (US);
Kirsten E. Hedberg, Winnetka, IL
(US); **Katie A. Hedberg**, Winnetka, IL
(US)

OTHER PUBLICATIONS

“ComforTask Arms” Oct. 3, 2011, amazon.com, site visited Sep. 15,
2022 <<https://www.wayfair.com/furniture/pdp/hon-comfortask-arms-hn4133.html?piid=>> (Year: 2011).*

(**) Term: **15 Years**

(Continued)

(21) Appl. No.: **29/835,319**

Primary Examiner — Kevin K Rudzinski

Assistant Examiner — Paul D Bohannon

(22) Filed: **Apr. 18, 2022**

(74) *Attorney, Agent, or Firm* — Lesley A. Wallerstein,
LLC

(51) **LOC (14) Cl.** **06-06**

(52) **U.S. Cl.**
USPC **D6/716.2**

(57) **CLAIM**

(58) **Field of Classification Search**
USPC D6/356, 364, 366, 367, 368, 716, 716.1,
D6/716.2, 716.3

The ornamental design for an armrest, as shown and
described.

CPC A47C 1/023; A47C 1/0242; A47C 3/24;
A47C 7/402

DESCRIPTION

See application file for complete search history.

FIG. 1 is a top perspective view of an armrest.
FIG. 2 is a bottom perspective view of the armrest of FIG.
1.
FIG. 3 is a front view of the armrest of FIG. 1.
FIG. 4 is a rear view of the armrest of FIG. 1.
FIG. 5 is left view of the armrest of FIG. 1.
FIG. 6 is a right view of the armrest of FIG. 1.
FIG. 7 is a top view of the armrest of FIG. 1.
FIG. 8 is a bottom view of the armrest of FIG. 1.
FIG. 9 is another top perspective view of the armrest of FIG.
1; and,
FIG. 10 is another bottom perspective view of the armrest of
FIG. 1.

(56) **References Cited**

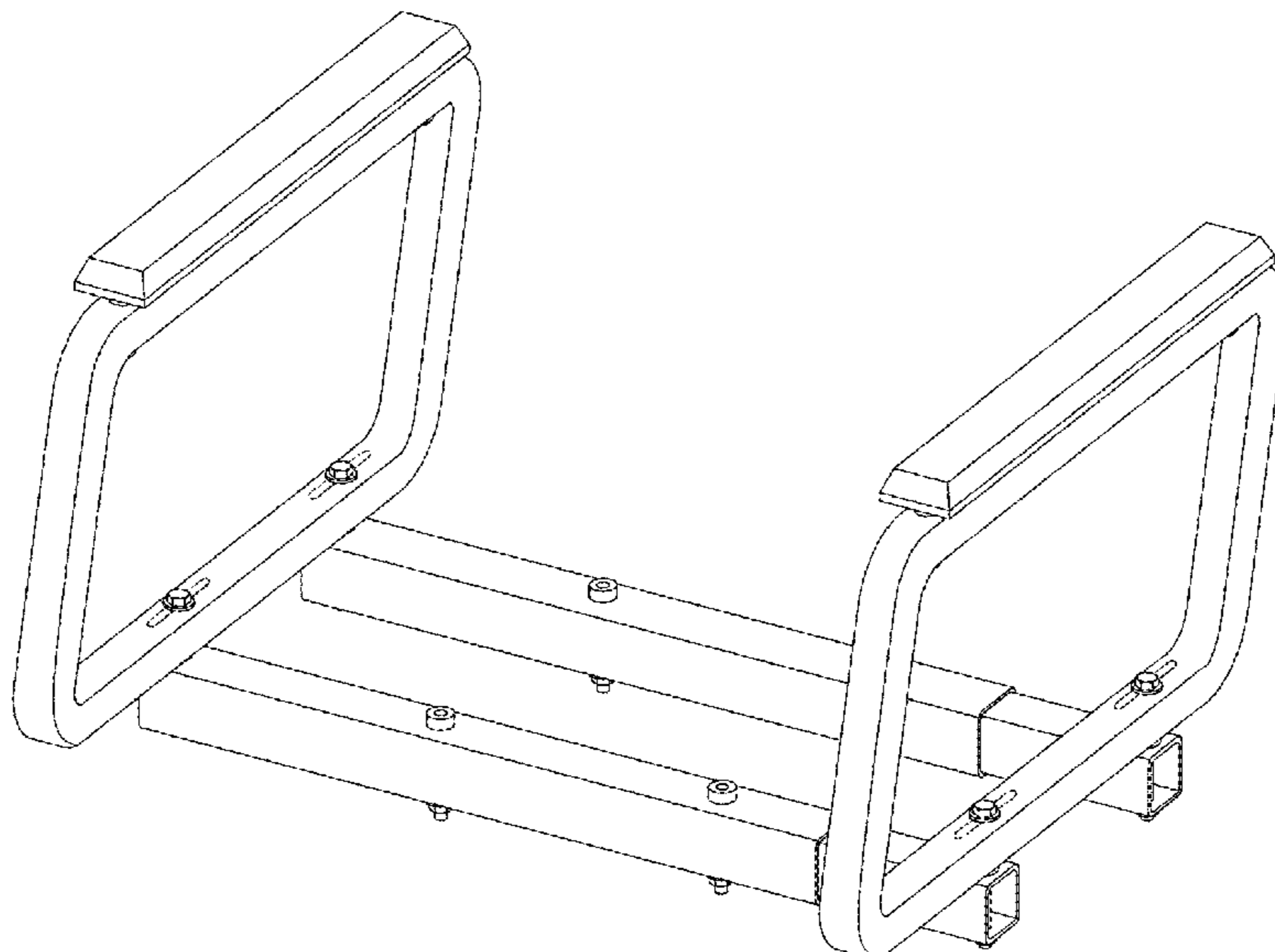
U.S. PATENT DOCUMENTS

D270,874 S * 10/1983 Ochsner D6/366
D272,585 S * 2/1984 Tolleson D6/366
D273,918 S * 5/1984 Keeler D6/366
D274,675 S * 7/1984 Diffrient D6/366
D276,957 S * 1/1985 Schultz D6/366
4,802,708 A 2/1989 Vos et al.
D340,142 S * 10/1993 Totoro D6/375
D347,955 S * 6/1994 Leftwich D6/716
D356,897 S * 4/1995 Ochsner D6/366
D367,983 S * 3/1996 Olson D6/716.3
D368,380 S * 4/1996 Olson D6/366
D368,817 S * 4/1996 Schultz D6/716.3

The broken lines depict environmental subject matter and
form no part of the claimed design.

(Continued)

1 Claim, 10 Drawing Sheets



(56)

References Cited

U.S. PATENT DOCUMENTS

5,556,163 A * 9/1996 Rogers, III A47C 1/023
297/362.11
D405,970 S * 2/1999 Kaczmarek D6/366
D495,167 S * 8/2004 Chu D6/366

FOREIGN PATENT DOCUMENTS

CN 212521261 U 2/2021
CN 212788002 U 3/2021
CN 112998462 A 6/2021
DE 202021100919 U1 3/2021
JP 6870952 B2 5/2021
KR 101785175 B1 10/2017
KR 20210000729 U 4/2021

OTHER PUBLICATIONS

<https://tempres.com/store/Deluxe-Powder-Coated-Black-Armrest-Bracket-p95075260>.

* cited by examiner

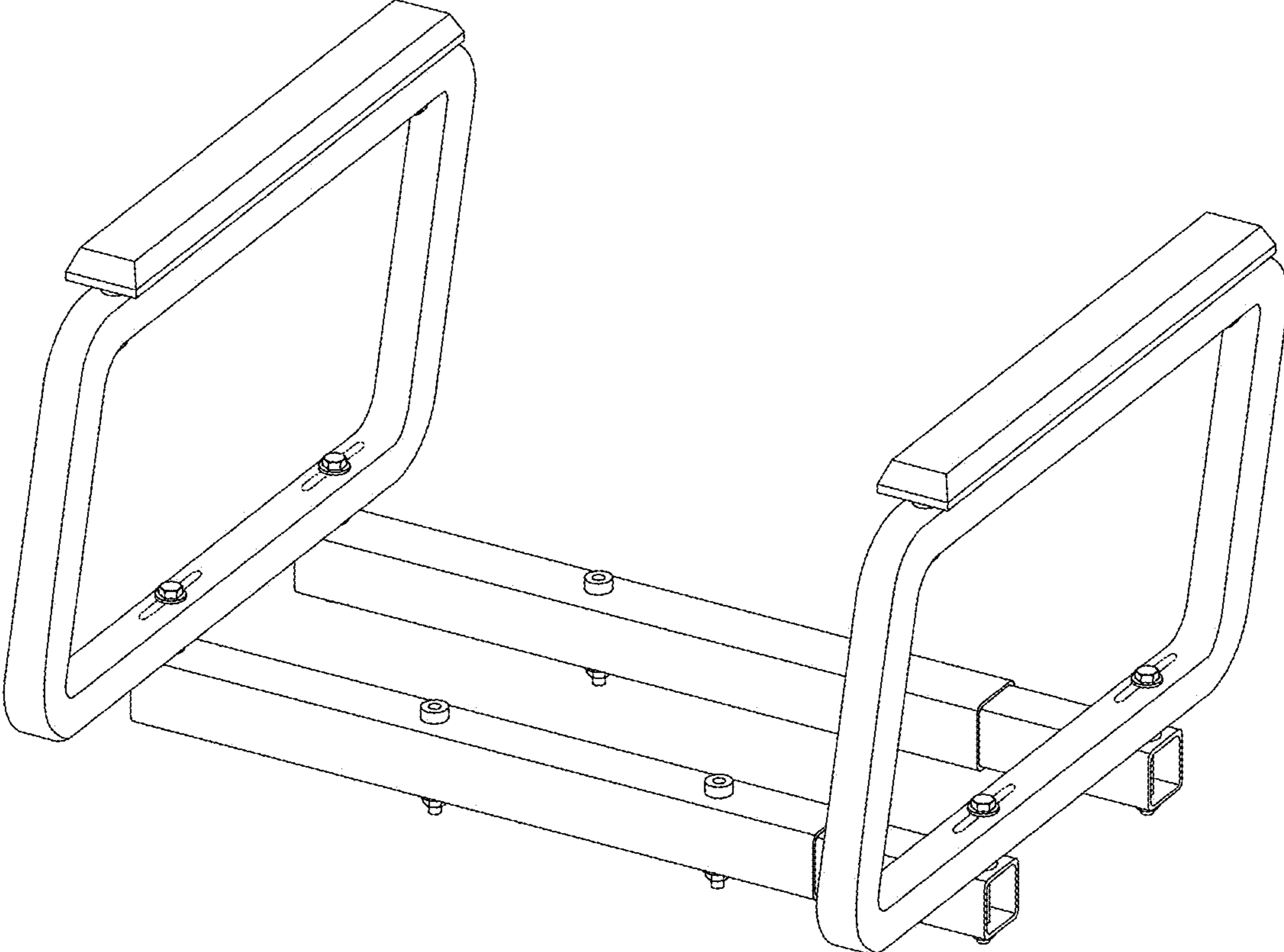


FIG. 1

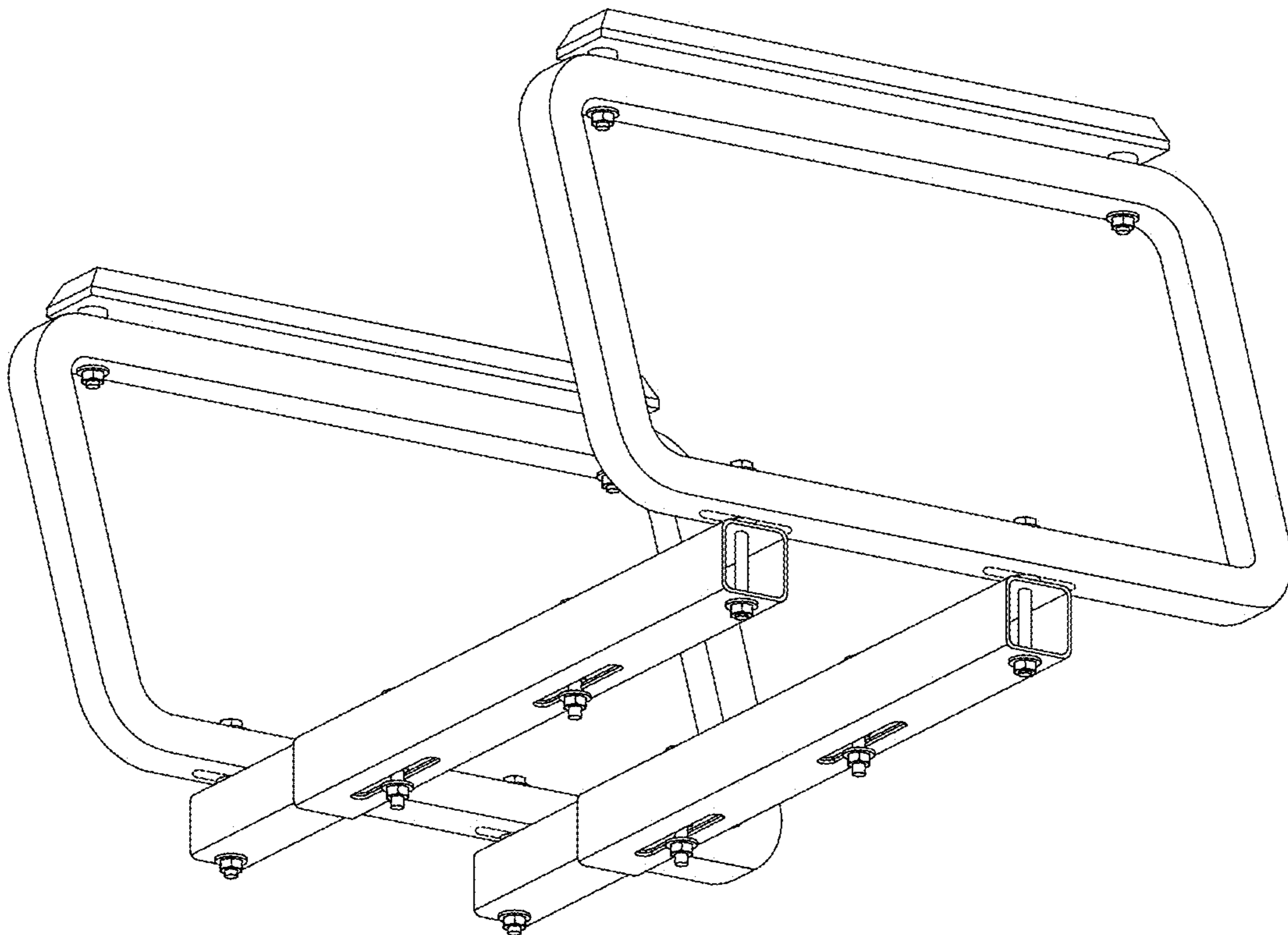


FIG. 2

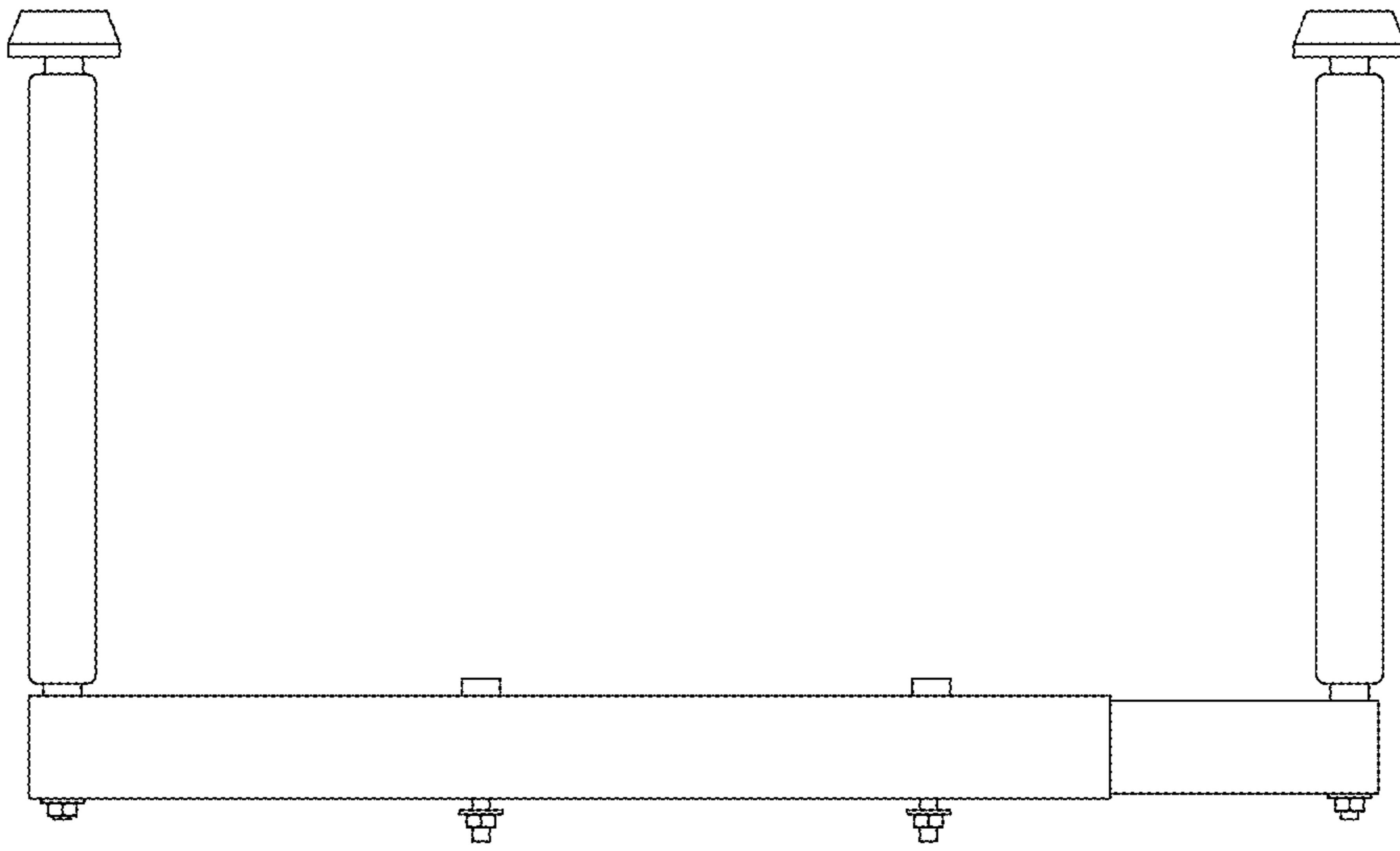


FIG. 3

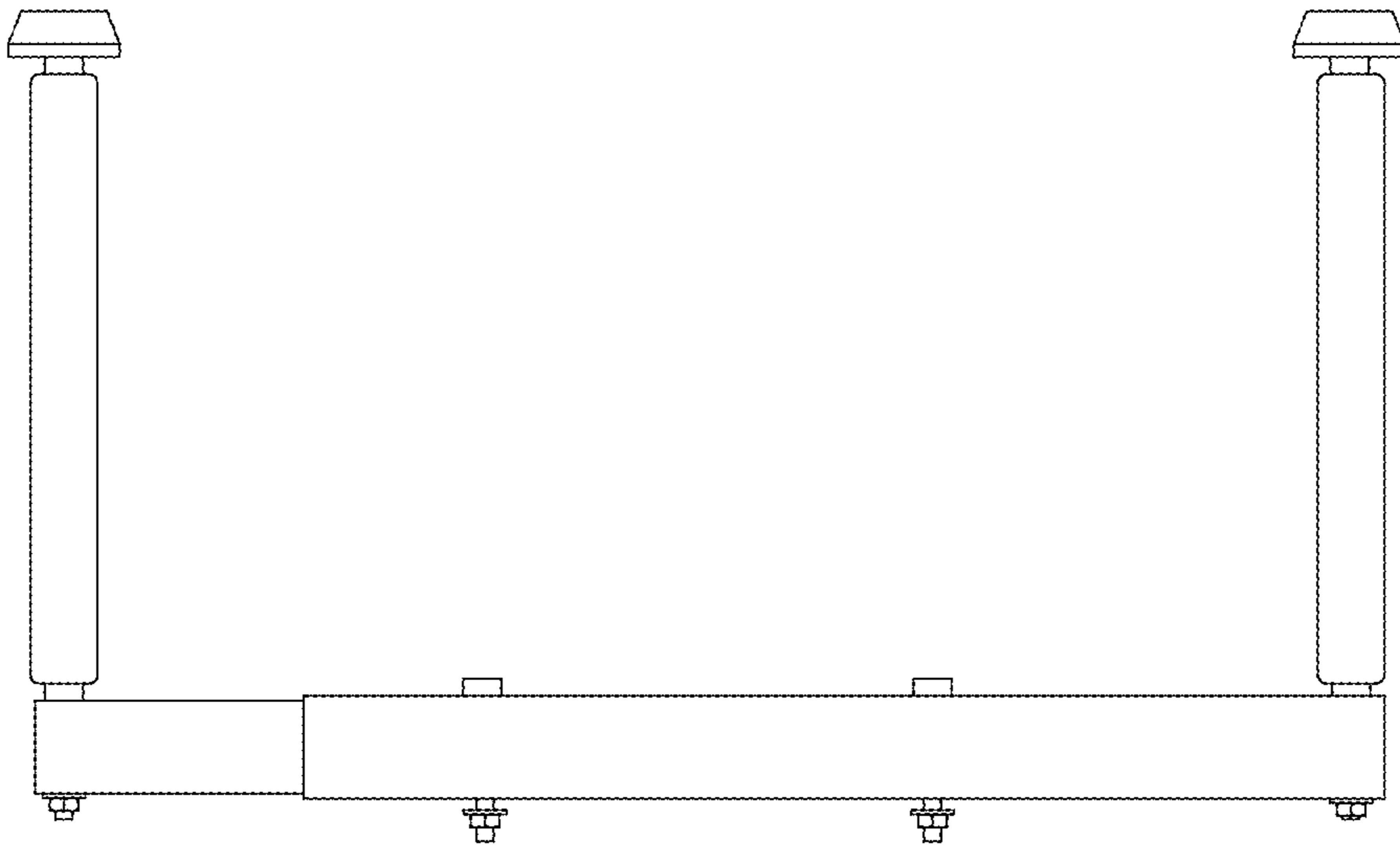


FIG. 4

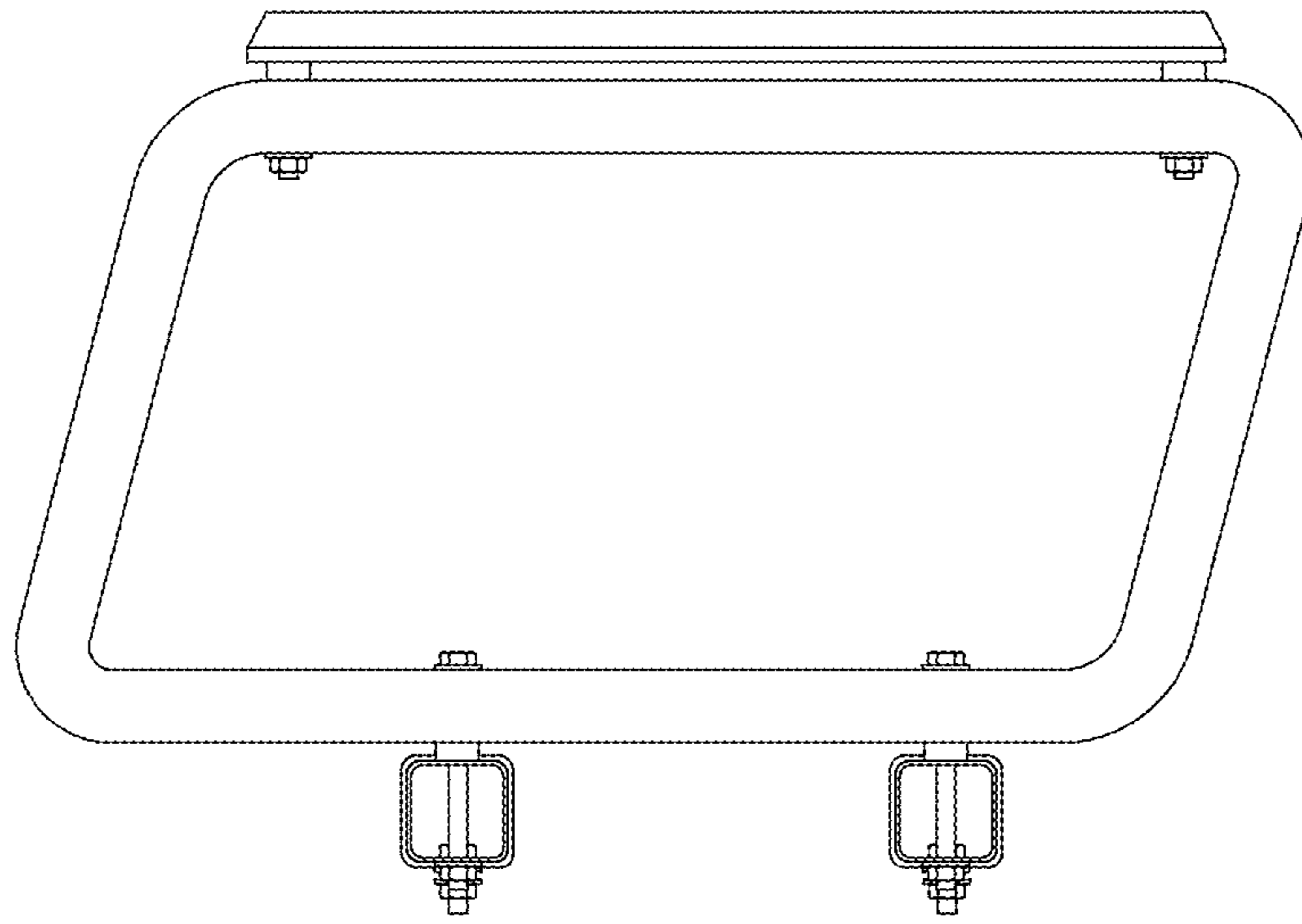


FIG. 5

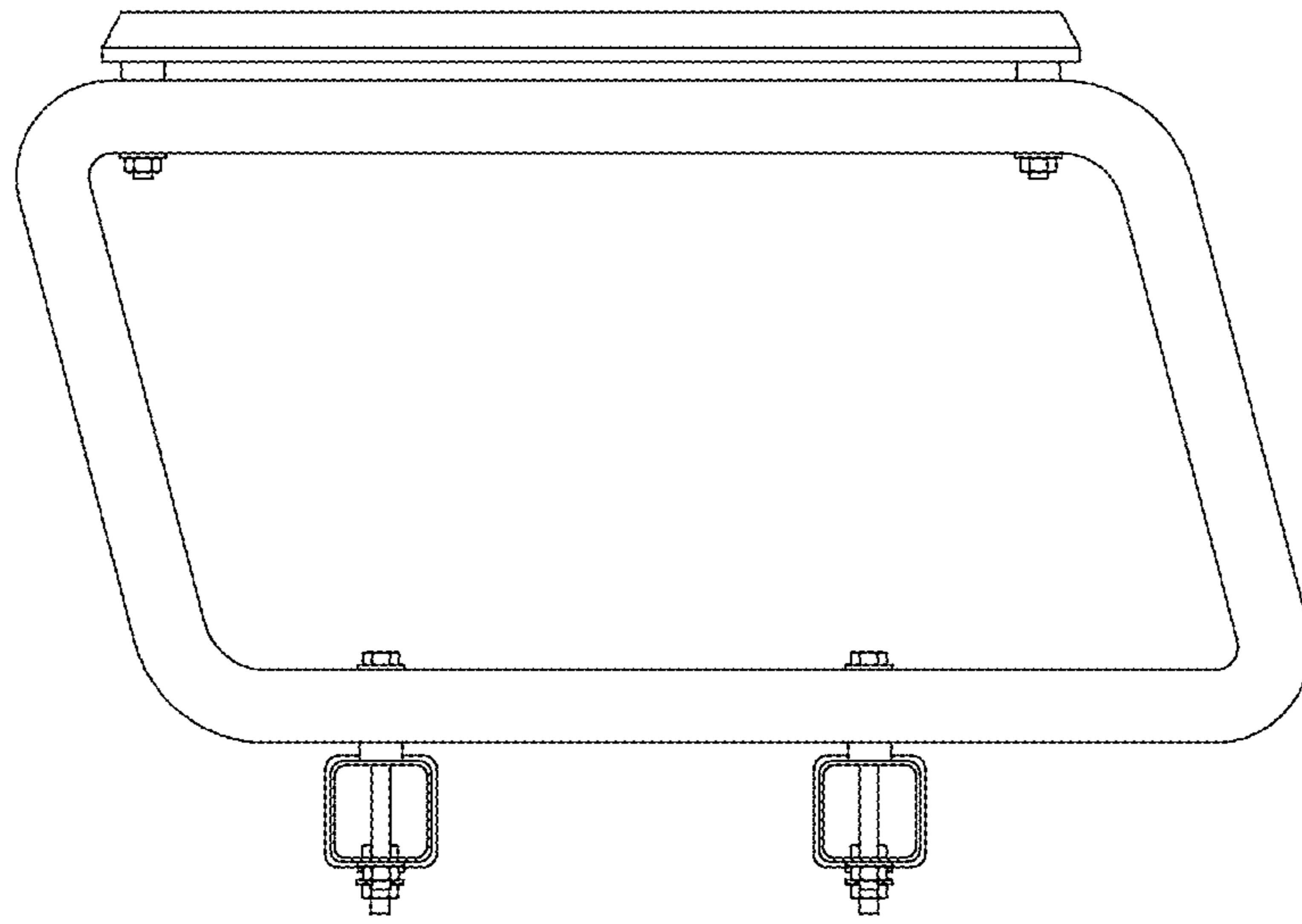


FIG. 6

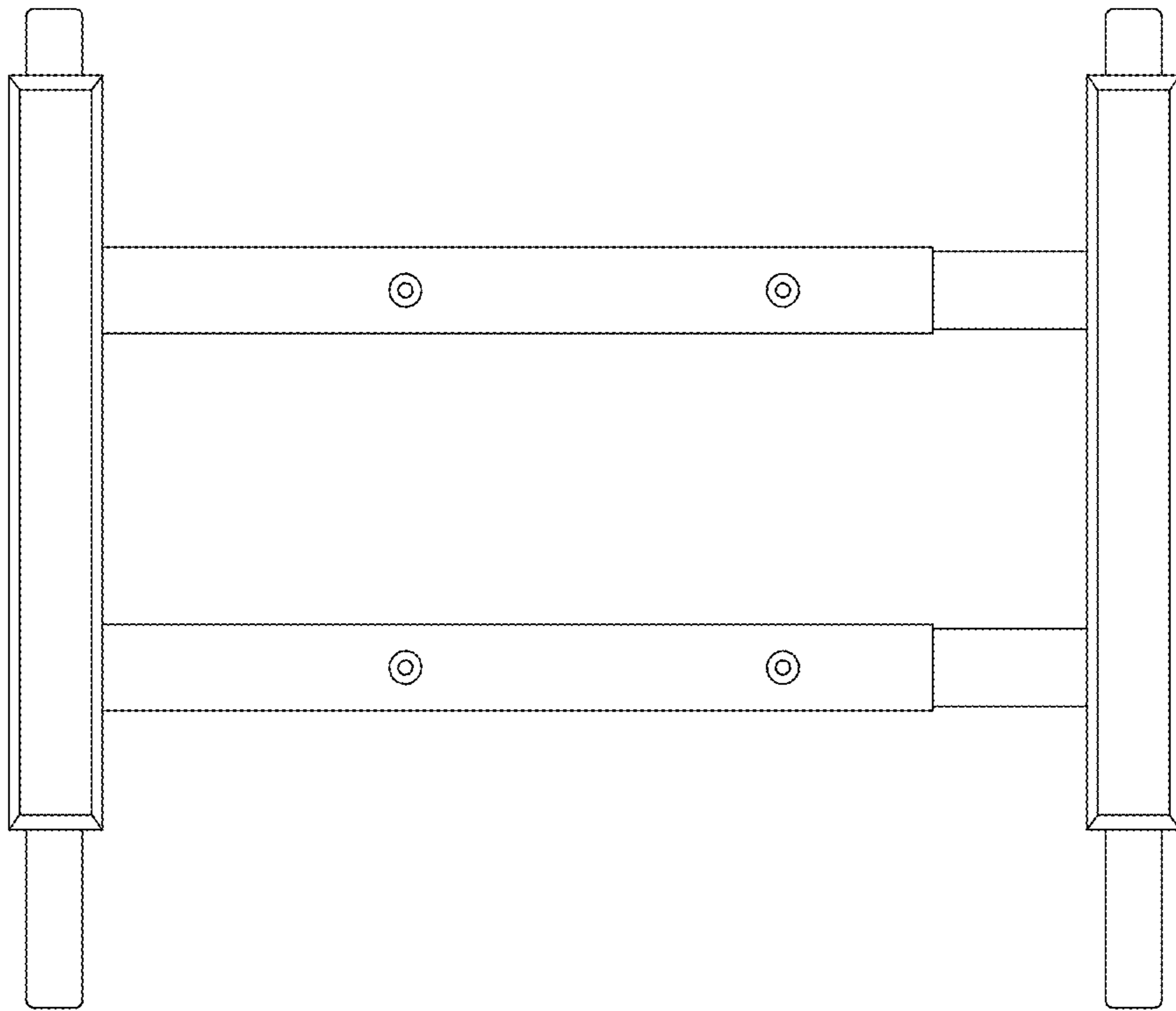


FIG. 7

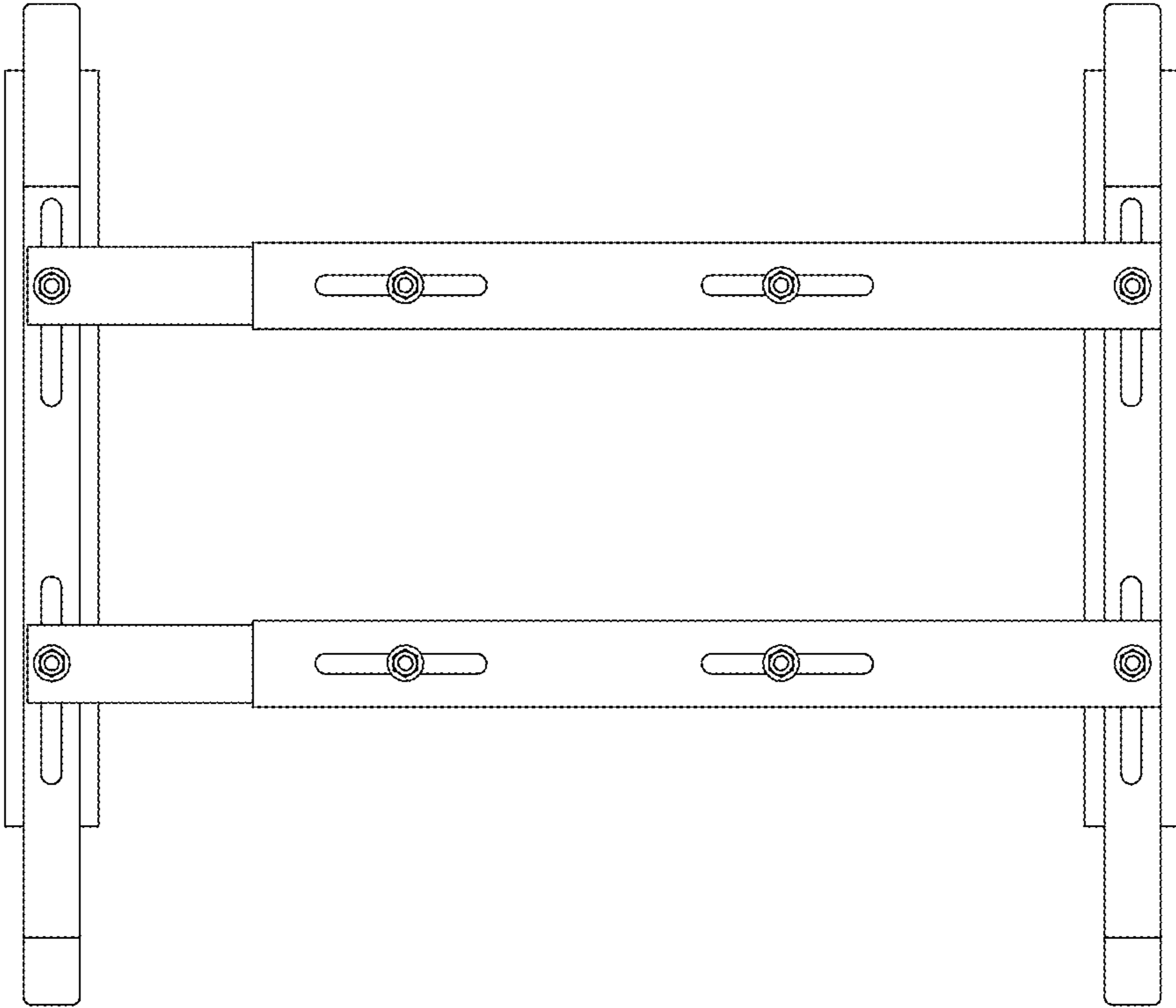


FIG. 8

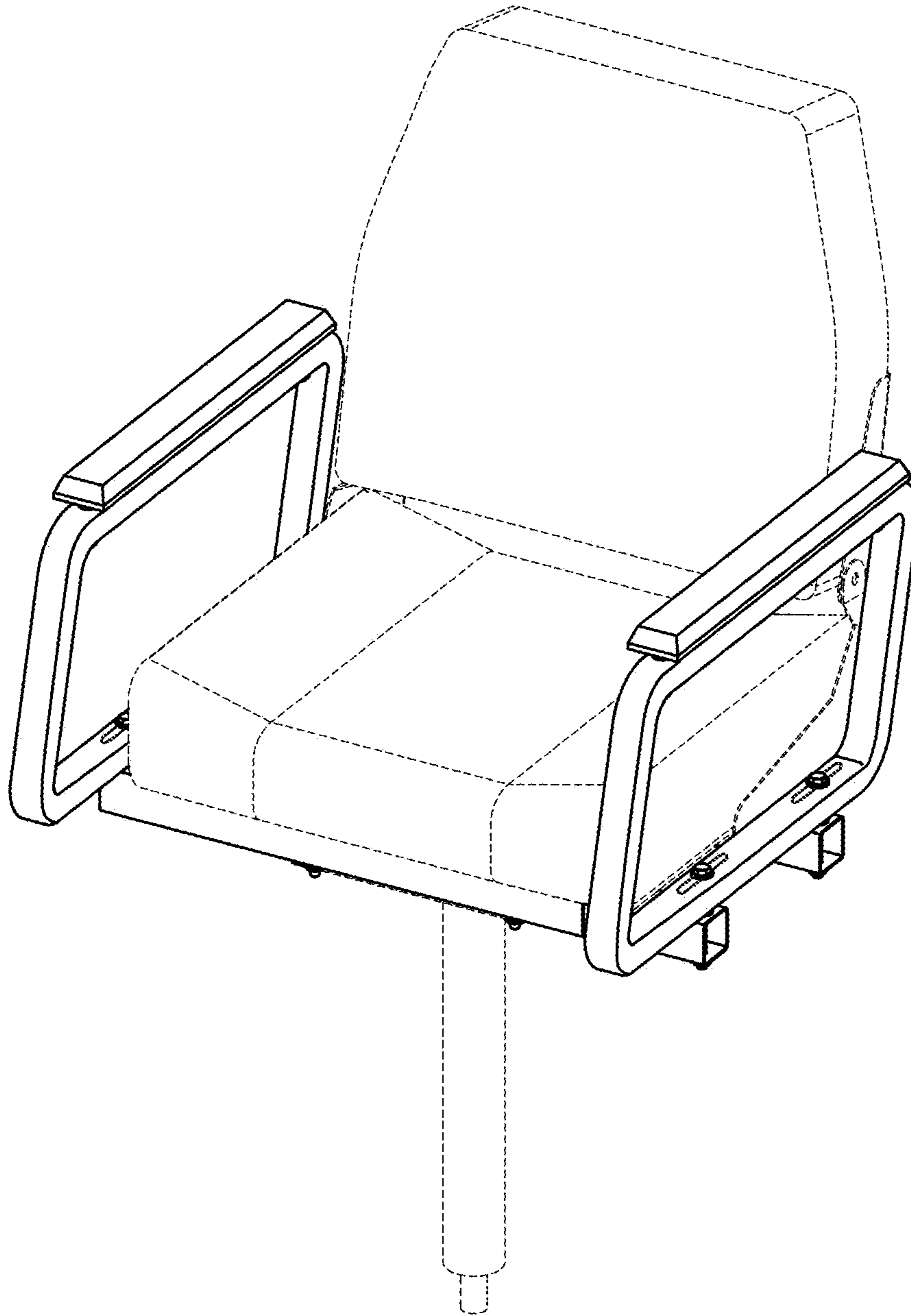


FIG. 9

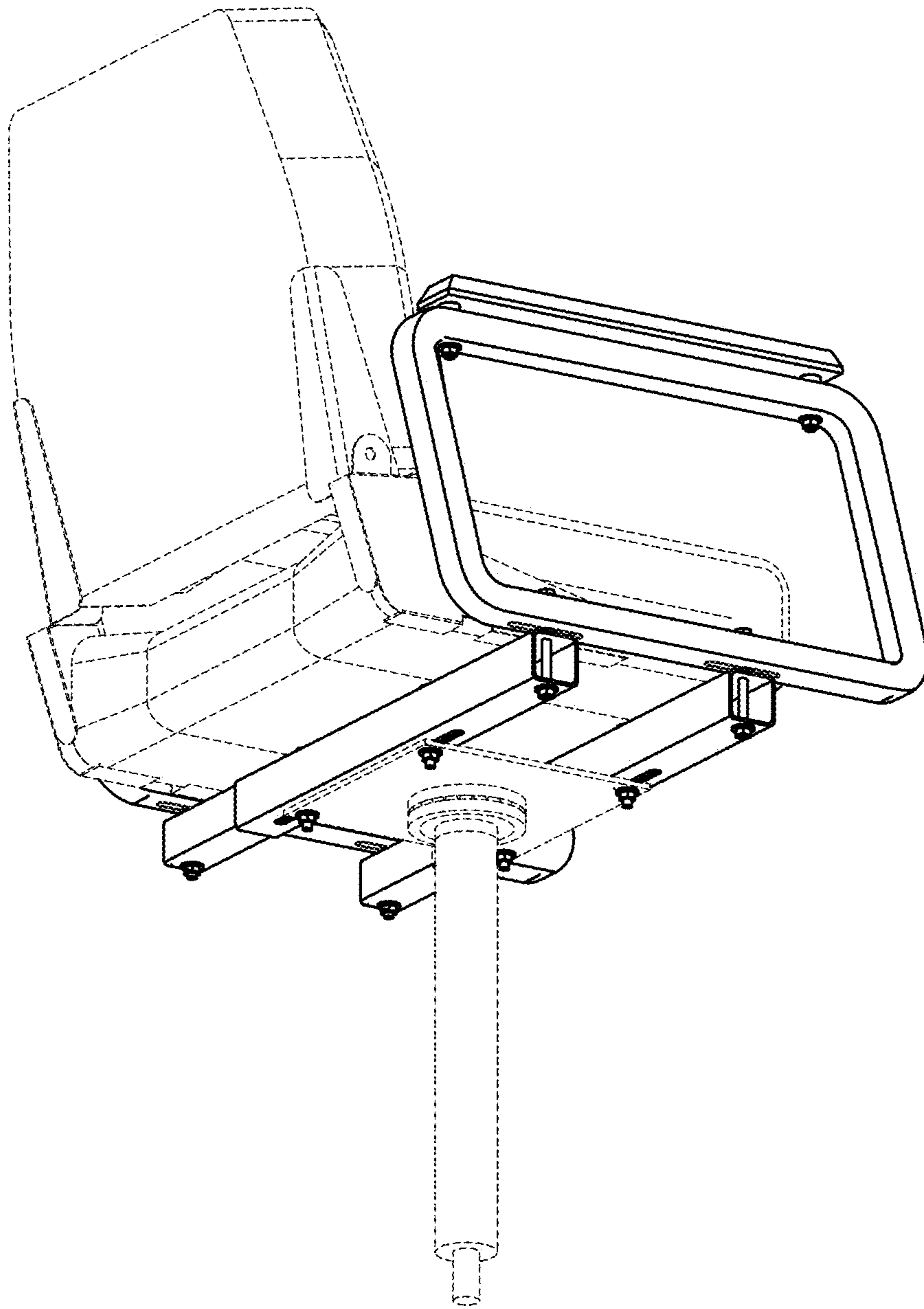


FIG. 10