



US00D974814S

(12) **United States Design Patent**  
**Chang et al.**

(10) **Patent No.:** **US D974,814 S**  
(45) **Date of Patent:** **\*\* Jan. 10, 2023**

(54) **TABLE RISER**

D694,557 S \* 12/2013 Rodgers ..... D6/675  
D817,676 S \* 5/2018 Herring ..... D6/705

(71) Applicant: **EP Family Corp.**, Walnut, CA (US)

\* cited by examiner

(72) Inventors: **Jeff Yonghuang Chang**, Walnut, CA (US); **Chih-Chiang Kuo**, Walnut, CA (US)

*Primary Examiner* — Mary Ann Calabrese  
(74) *Attorney, Agent, or Firm* — Tommy S F Wang; Wang IP Law Group, P.C.

(\*\*) Term: **15 Years**

(57) **CLAIM**

The ornamental design for a table riser, as shown and described.

(21) Appl. No.: **29/746,727**

**DESCRIPTION**

(22) Filed: **Aug. 17, 2020**

(51) **LOC (14) Cl.** ..... **06-06**

(52) **U.S. Cl.**  
USPC ..... **D6/705; D6/654**

(58) **Field of Classification Search**  
USPC ..... D6/329, 642, 673, 643.1, 644, 672, 691, D6/691.6, 702, 705, 705.5, 706  
CPC ..... A47B 2200/12  
See application file for complete search history.

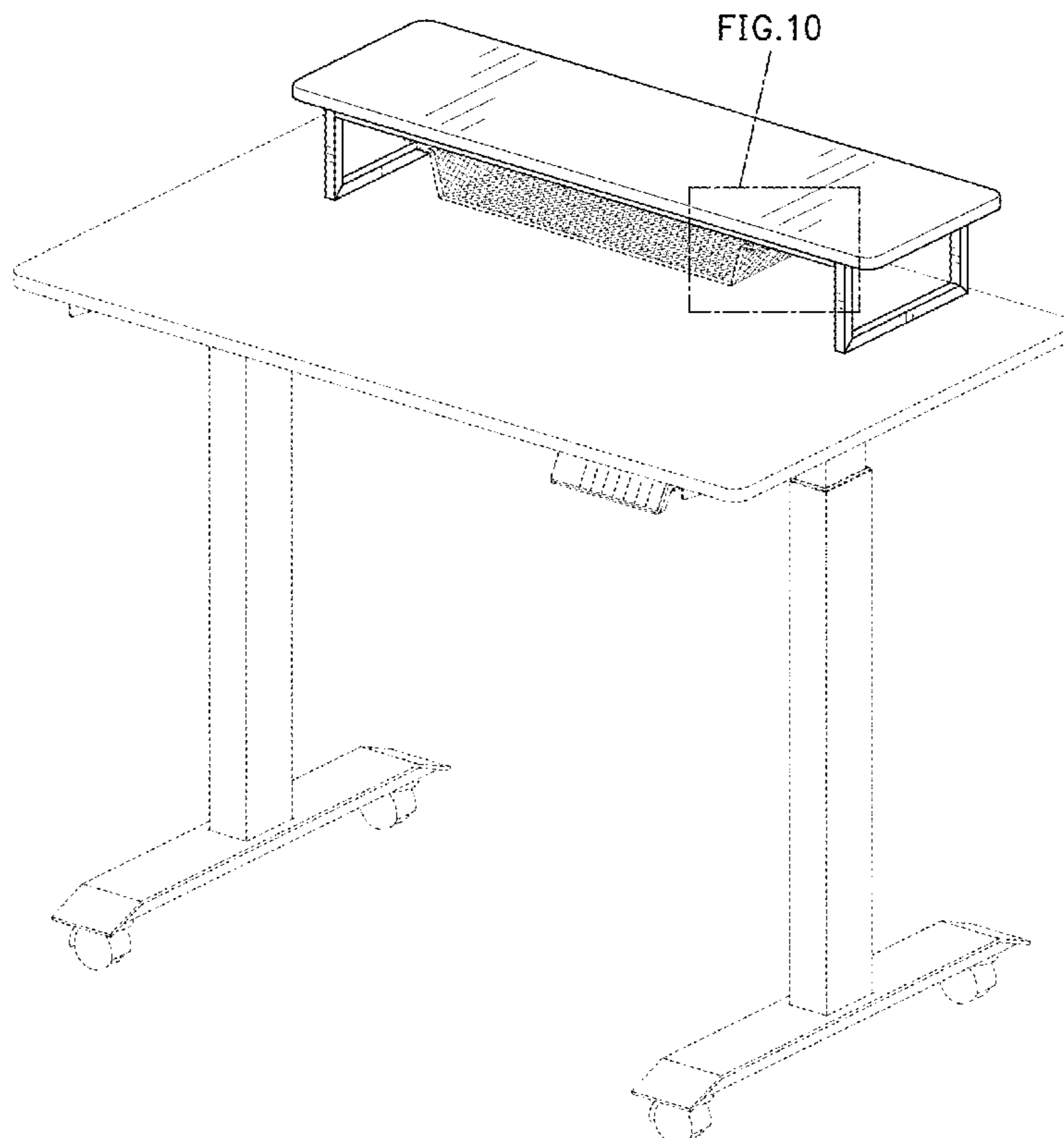
FIG. 1 is a perspective view of a table riser showing our new design;  
FIG. 2 is a front view thereof;  
FIG. 3 is a rear view thereof;  
FIG. 4 is a left side view thereof;  
FIG. 5 is a right side view thereof;  
FIG. 6 is a top view thereof;  
FIG. 7 is a bottom view thereof;  
FIG. 8 is a perspective view thereof, shown in an alternate position within its environment;  
FIG. 9 is a perspective view thereof, shown in a second alternate position within its environment;  
FIG. 10 is an enlarged detailed view of the boxed area labeled 10 in FIG. 1; and,  
FIG. 11 is an enlarged detailed view of the boxed area labeled 11 in FIG. 2.  
The broken lines in the drawings show both portions of the table riser and environmental subject matter which form no part of the claimed design.

(56) **References Cited**

**U.S. PATENT DOCUMENTS**

D161,959 S \* 2/1951 Park ..... A47B 13/08 D6/642  
2,717,815 A \* 9/1955 Hubbard ..... A47B 13/08 D6/691.8  
D614,889 S \* 5/2010 Van Duysen ..... D6/691.5

**1 Claim, 10 Drawing Sheets**



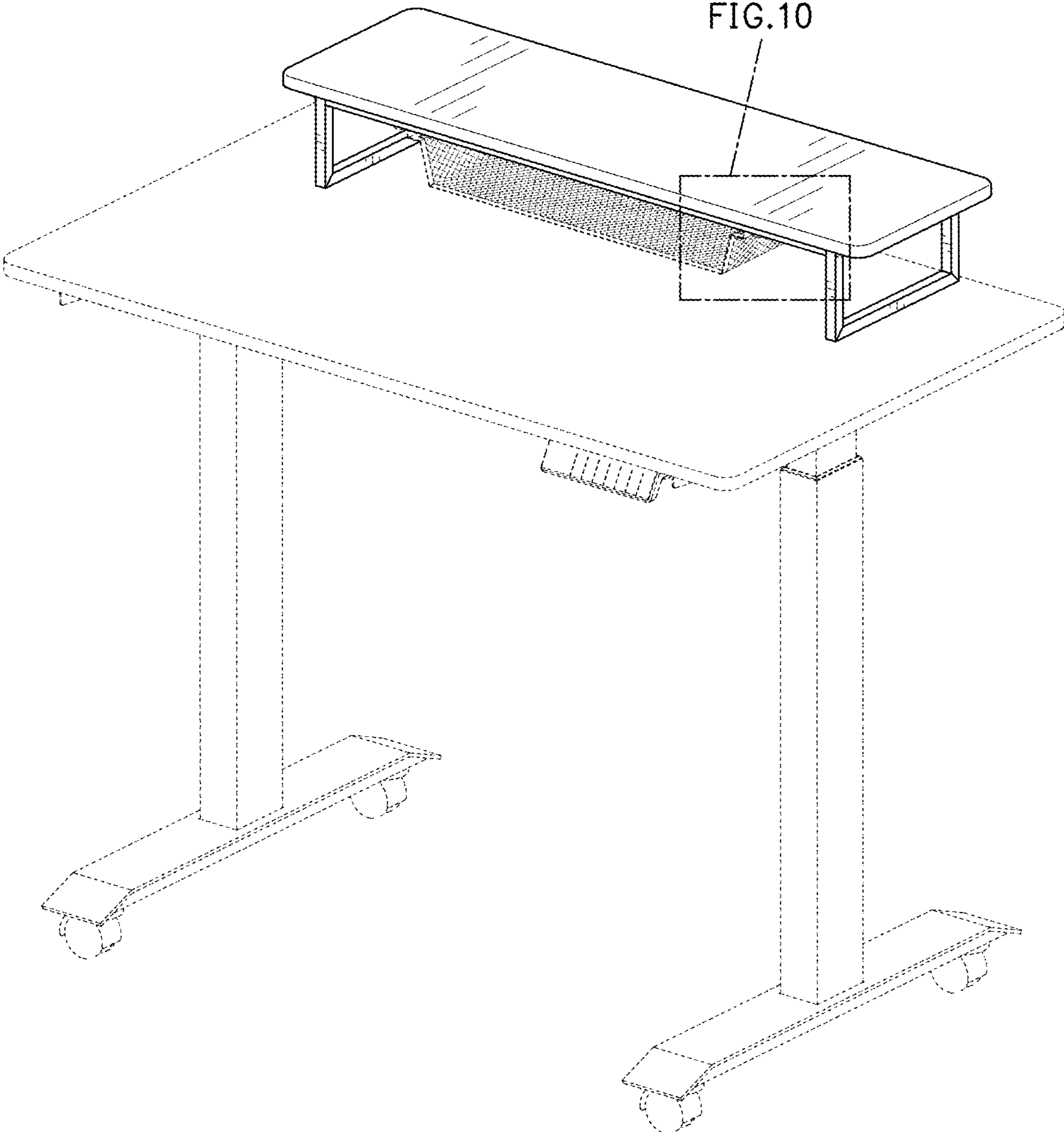


FIG. 1

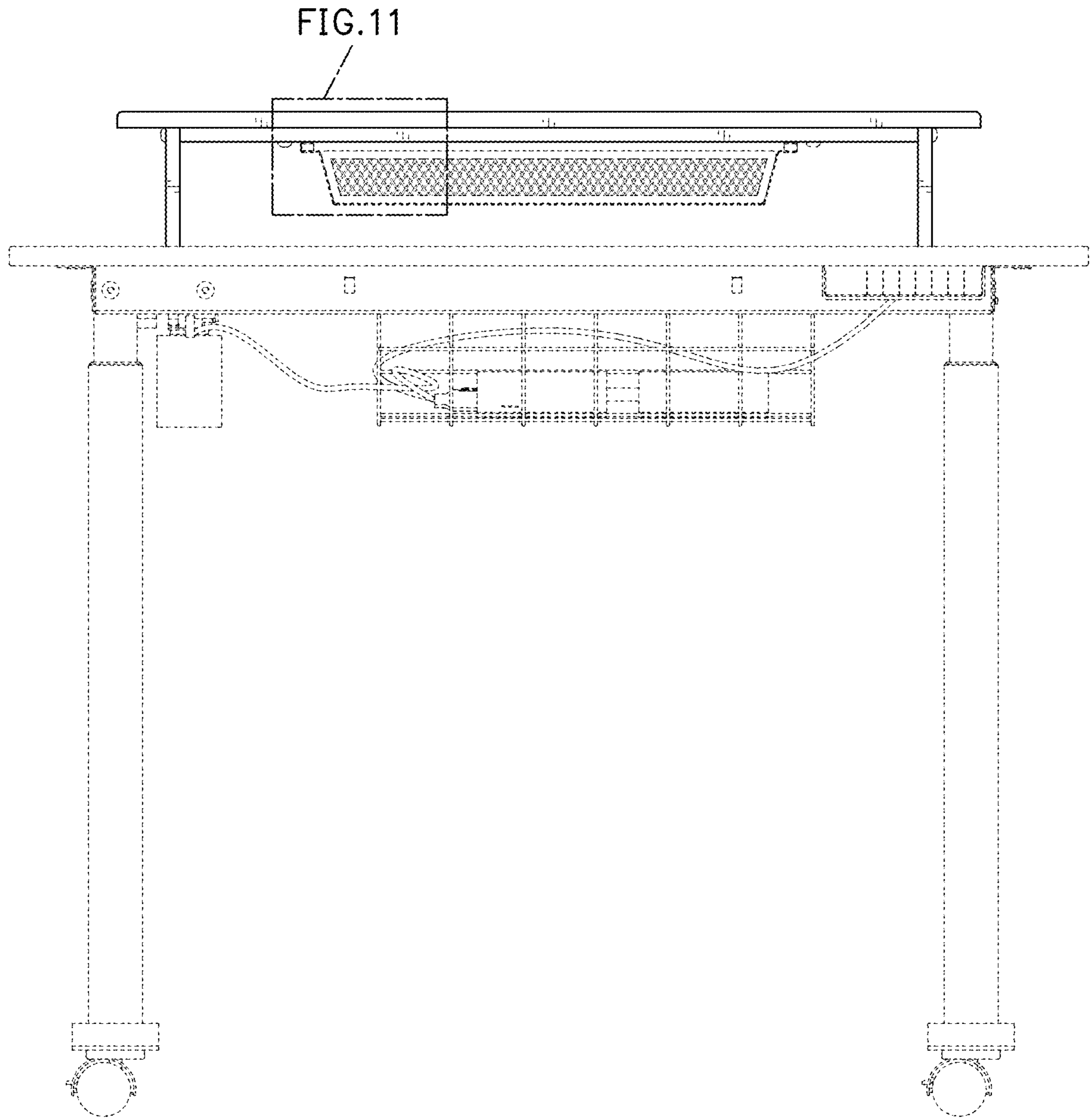


FIG. 2

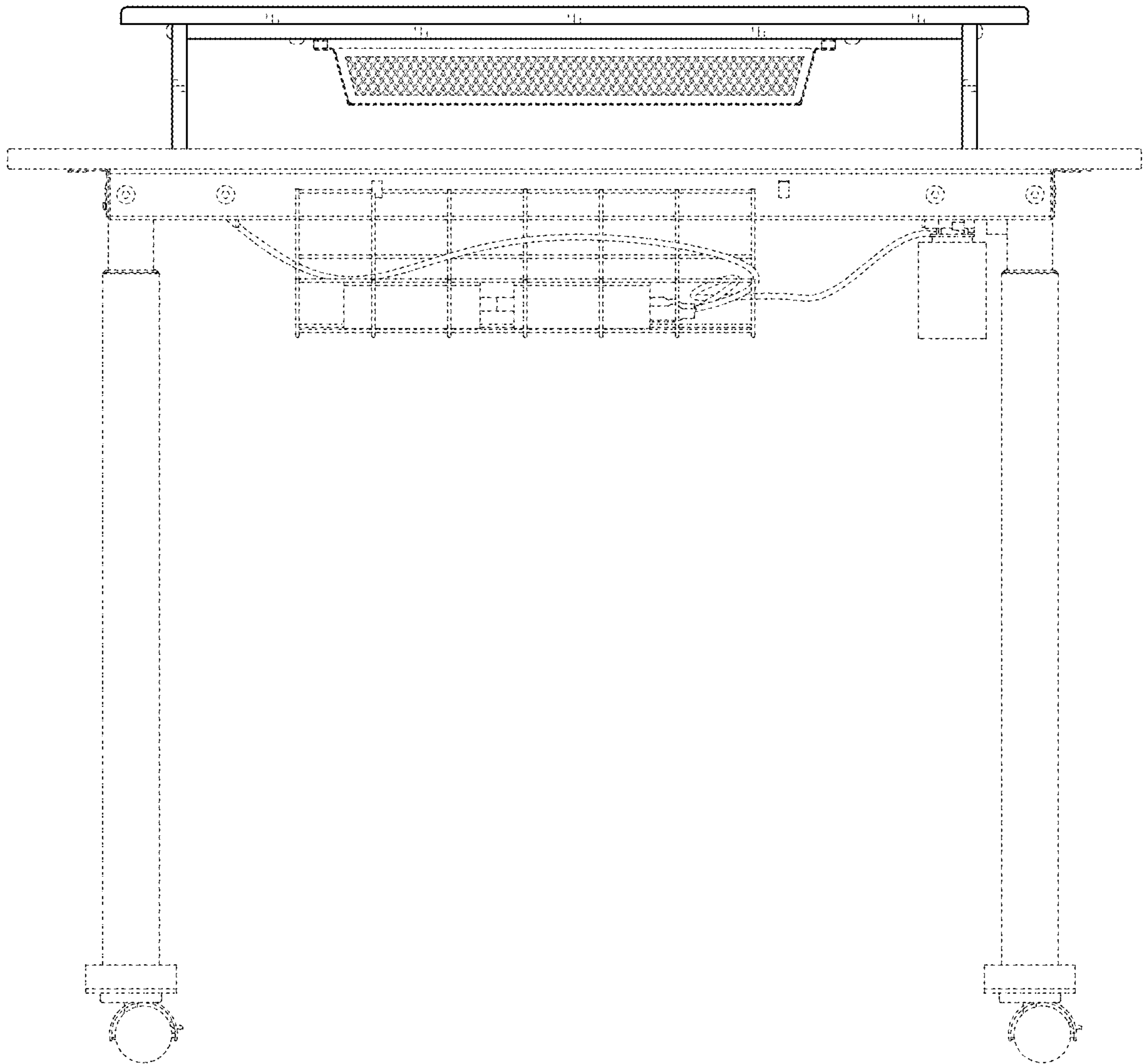


FIG. 3

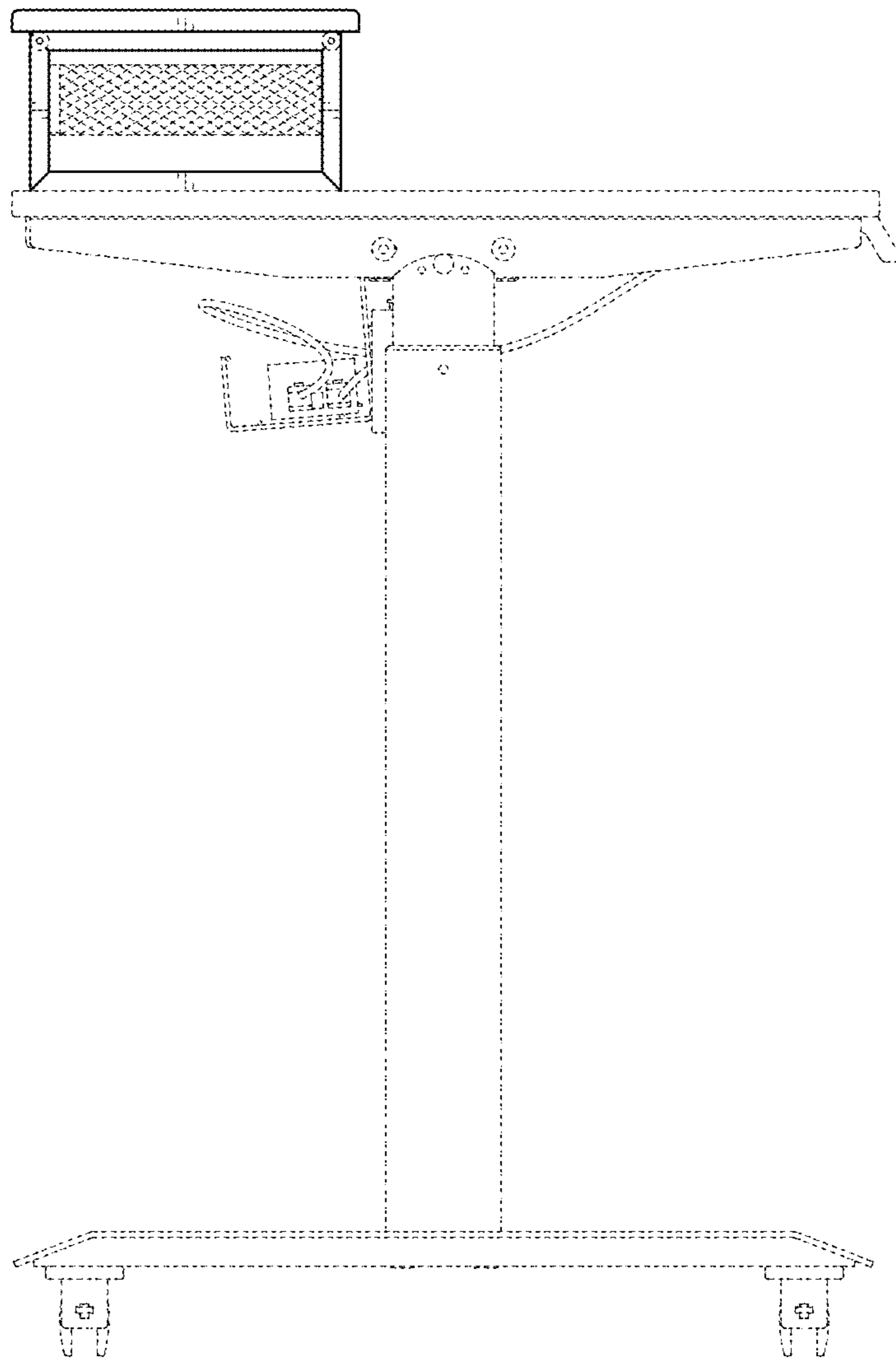


FIG. 4

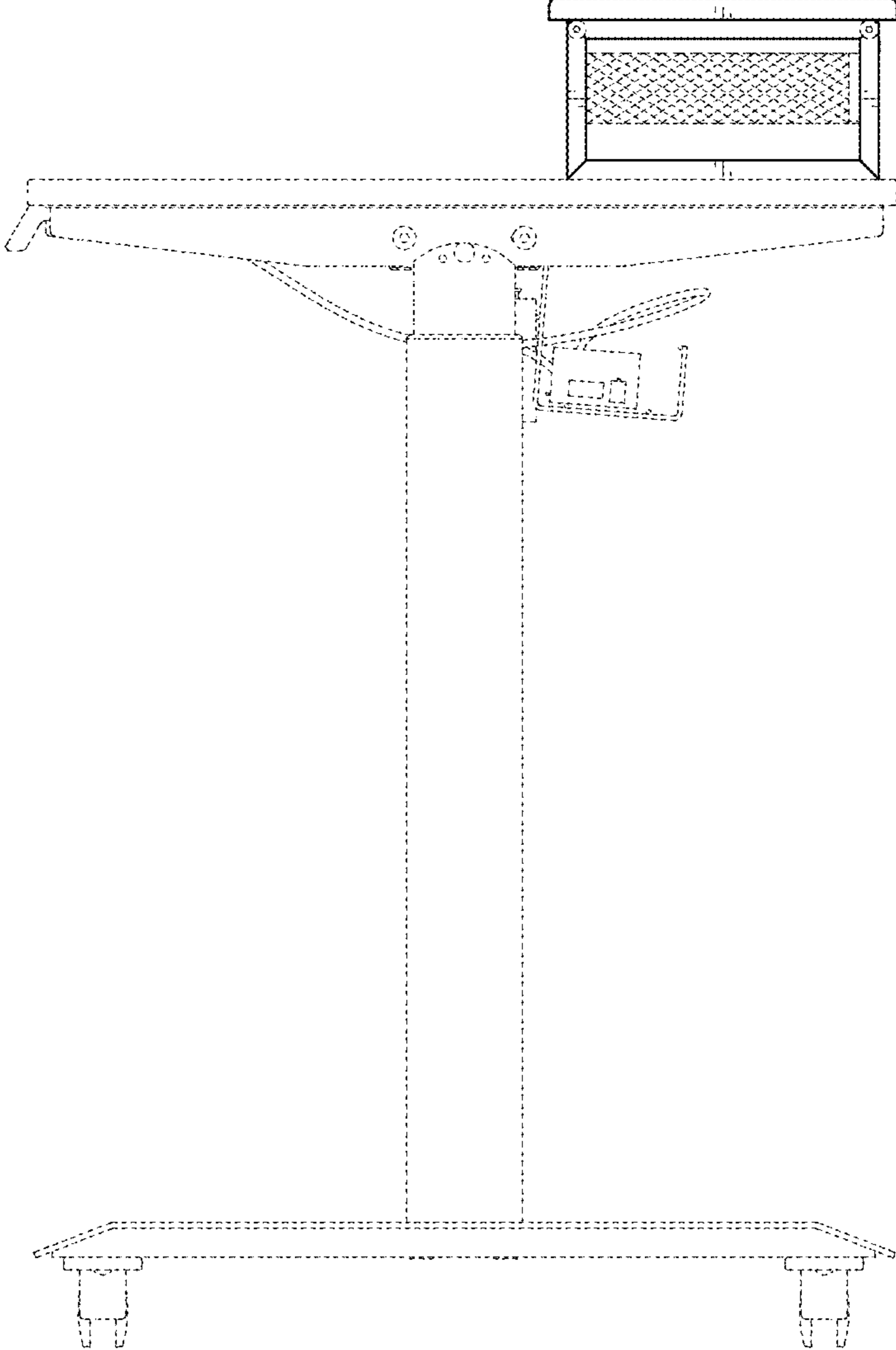


FIG. 5

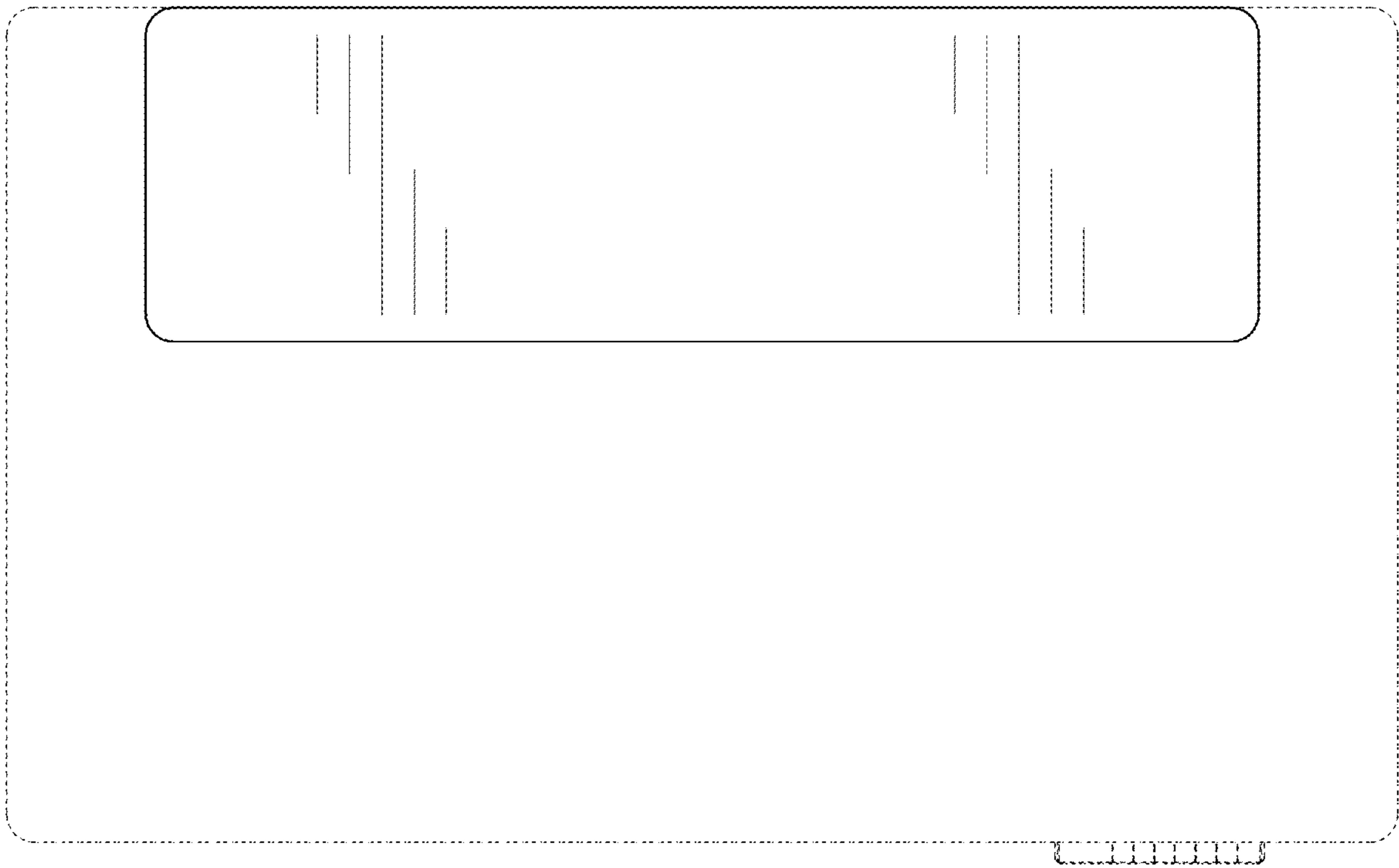


FIG. 6

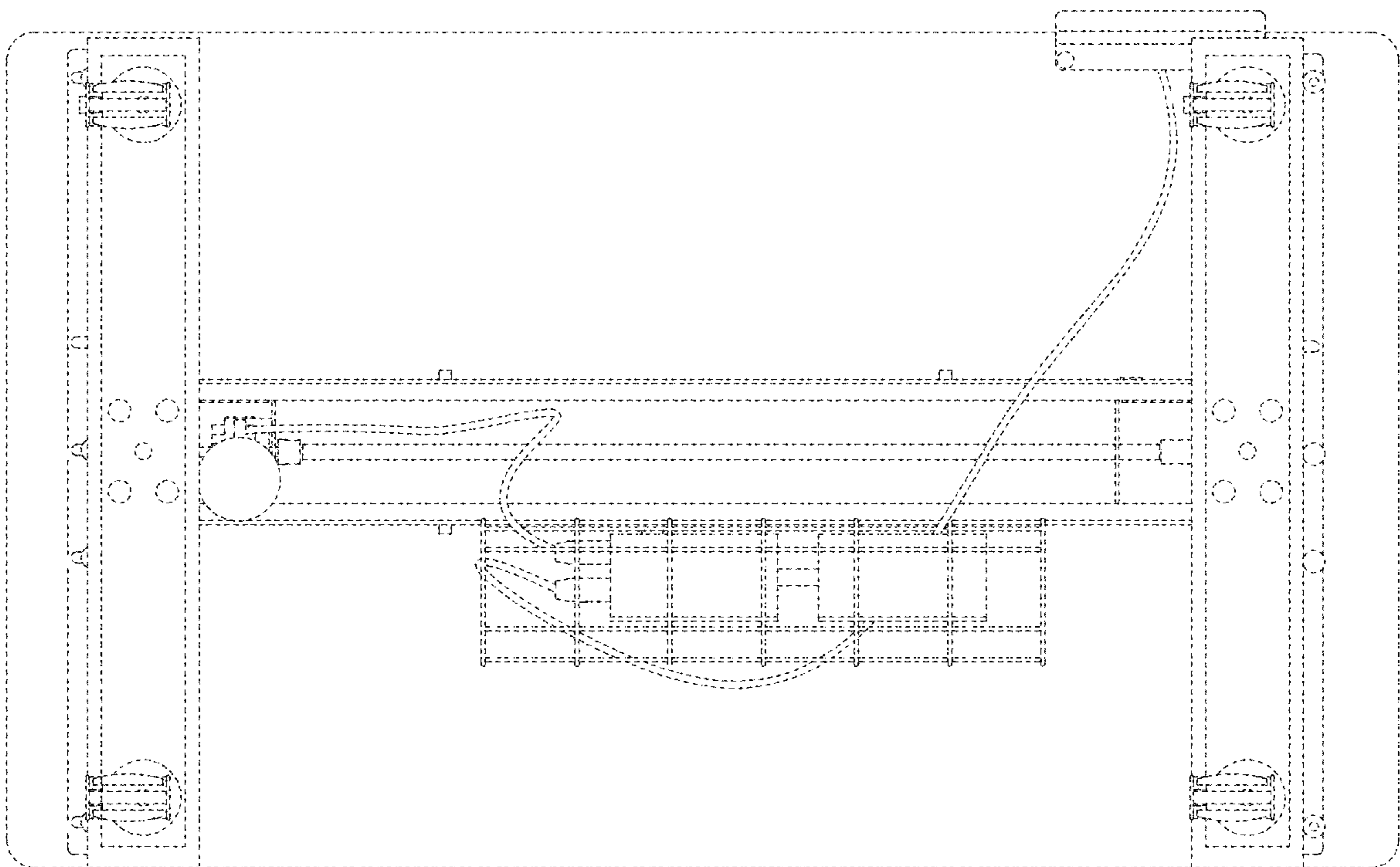


FIG. 7

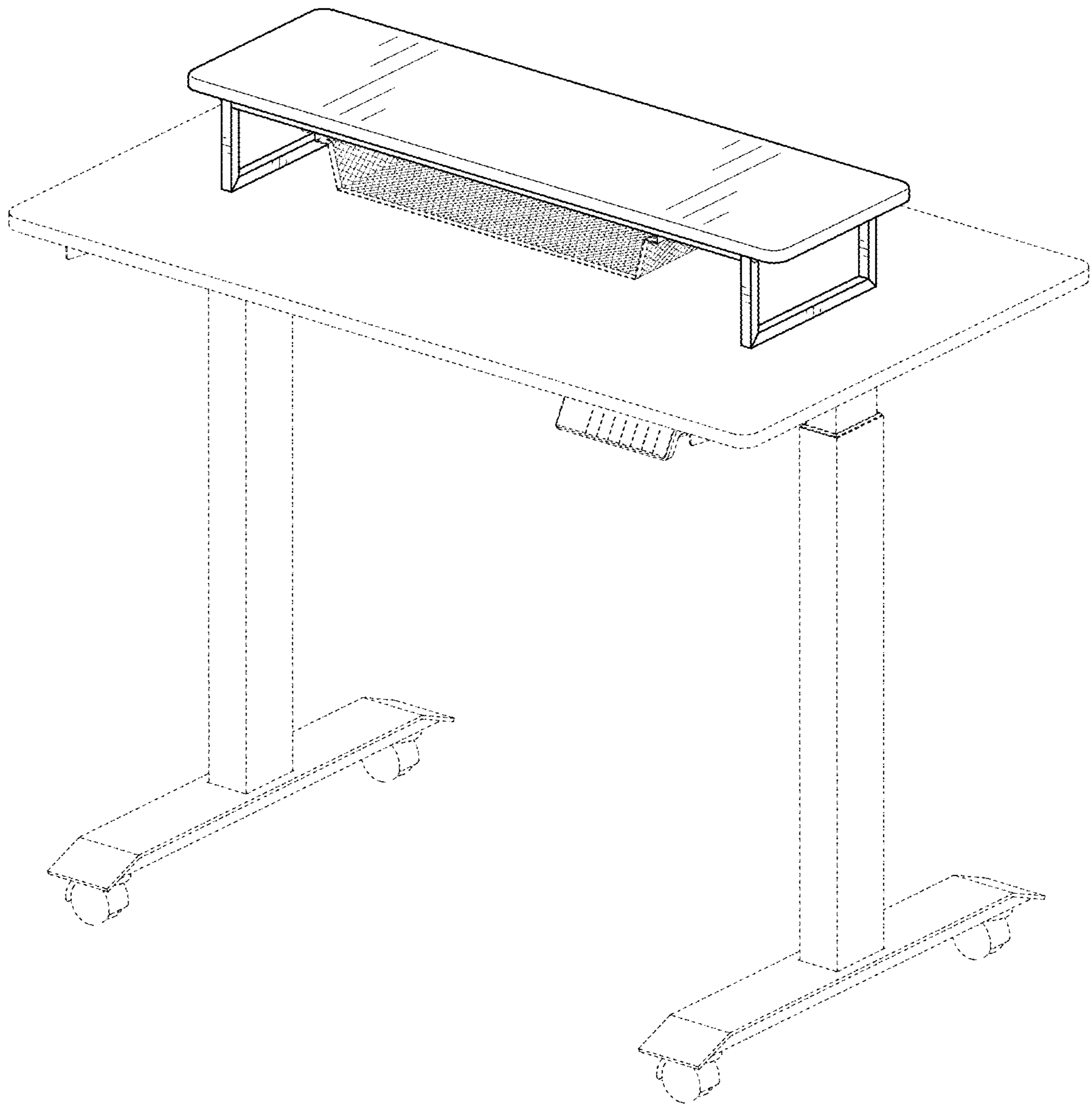


FIG. 8



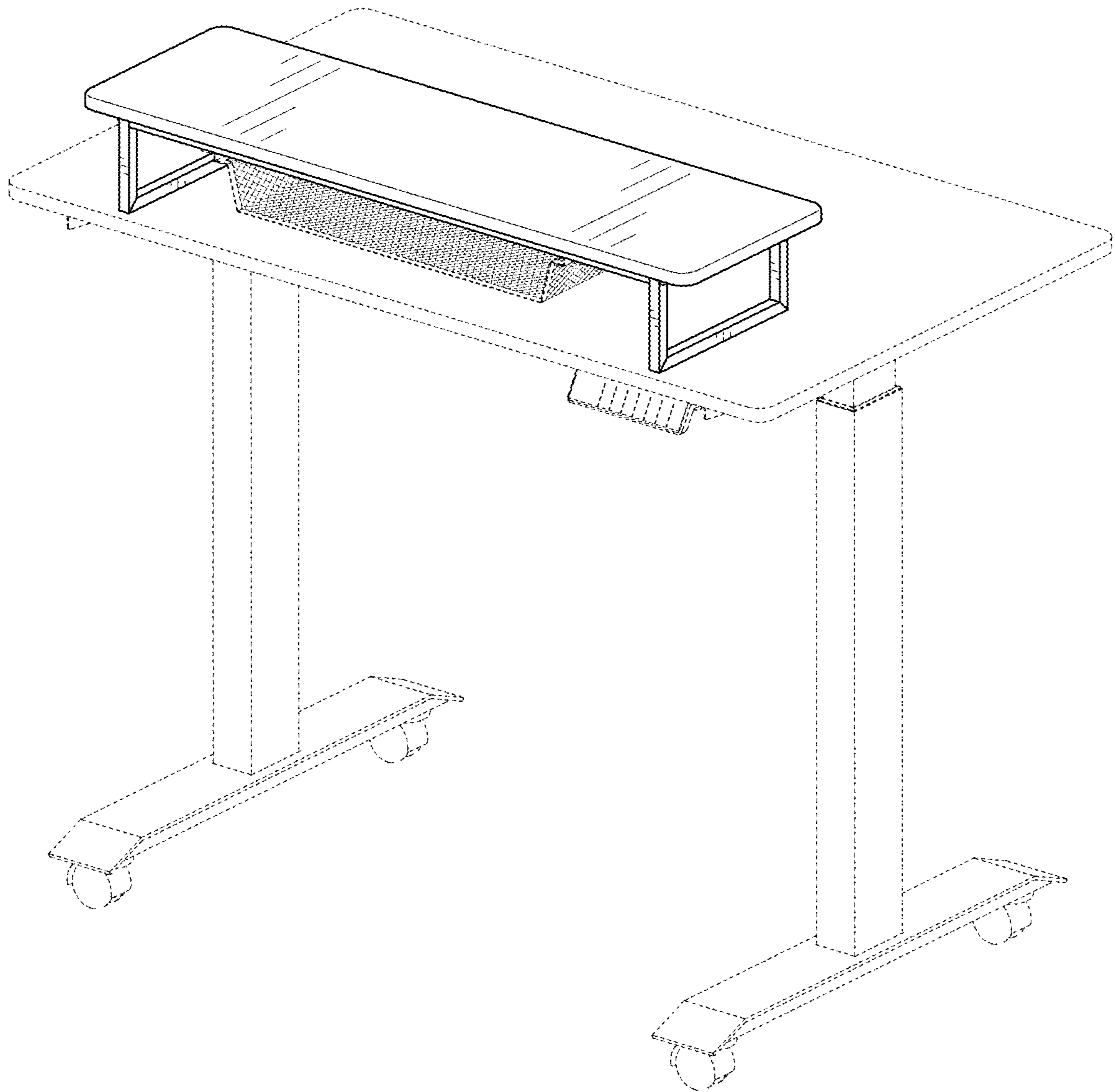


FIG. 9

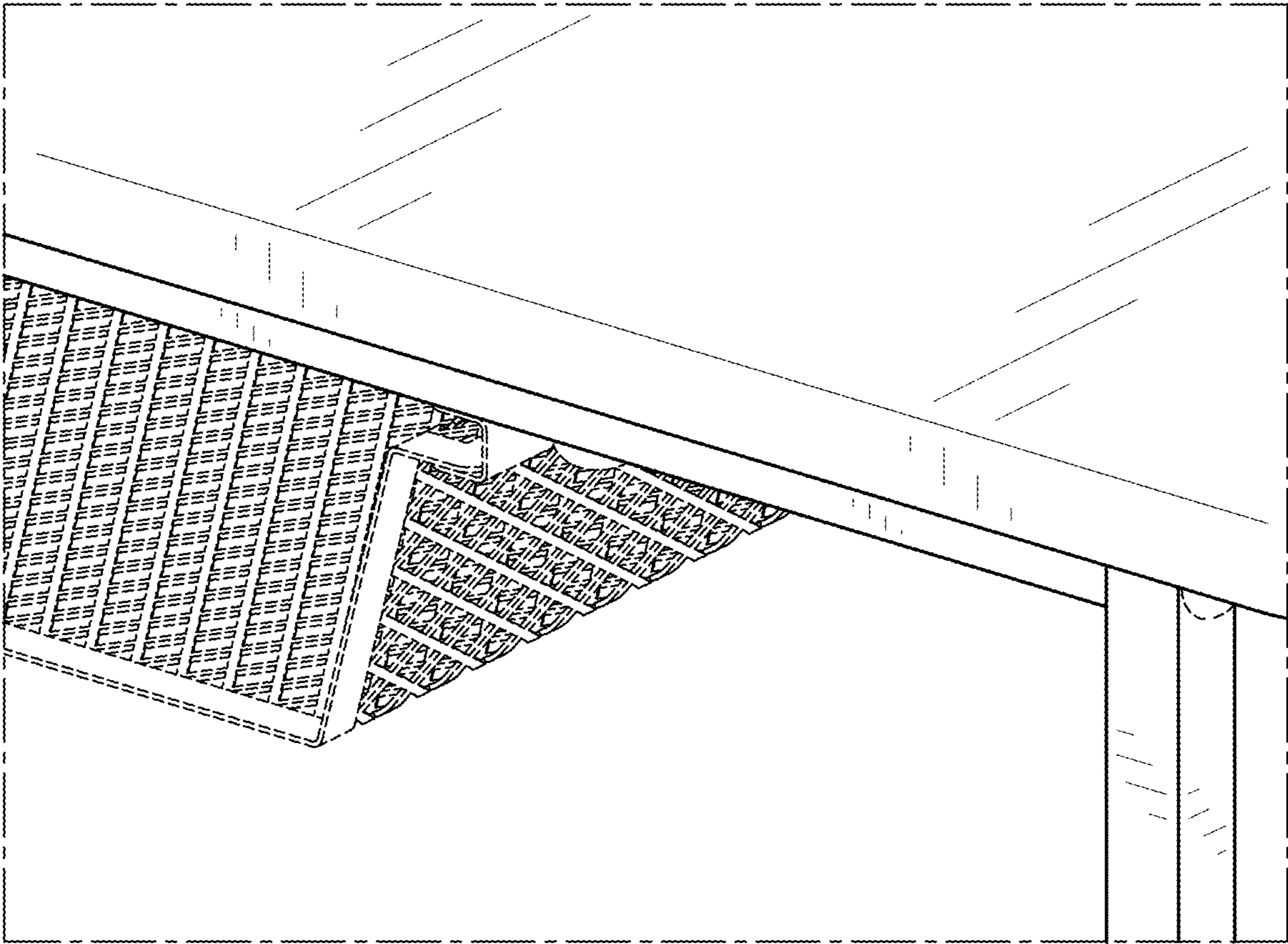


FIG. 10

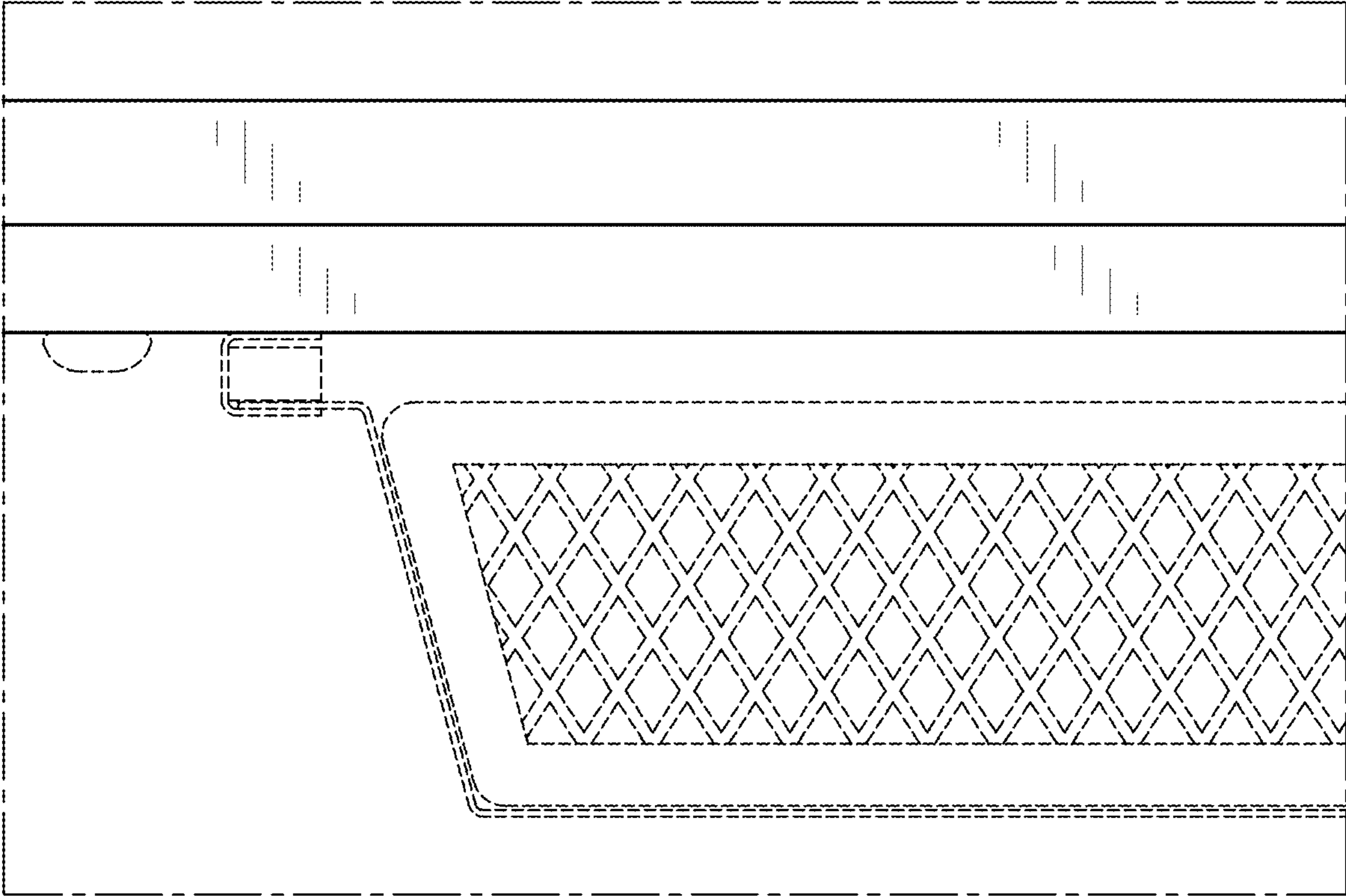


FIG. 11