



US00D974813S

(12) **United States Design Patent**  
**Zhang**

(10) **Patent No.:** **US D974,813 S**  
(45) **Date of Patent:** **\*\* Jan. 10, 2023**

- (54) **CABINET DOOR**
- (71) Applicant: **Zhangzhou Guancheng Industry and Trade Co., Ltd.**, Zhangzhou (CN)
- (72) Inventor: **Yuecong Zhang**, Longhai (CN)
- (\*\*) Term: **15 Years**
- (21) Appl. No.: **29/831,773**
- (22) Filed: **Mar. 23, 2022**
- (51) **LOC (14) Cl.** ..... **06-04**
- (52) **U.S. Cl.**  
USPC ..... **D6/703.3**
- (58) **Field of Classification Search**  
USPC ..... D6/657, 671, 671.1, 689, 703, 703.3,  
D6/708.15  
CPC . E06B 5/006; E06B 9/01; A47B 79/00; A47B  
81/067; A47B 96/20; A47B 2096/207;  
A47B 2096/208; A47B 2096/209  
See application file for complete search history.

D776,472 S	1/2017	Nicholson	
D808,688 S *	1/2018	Everson	D6/657
D817,040 S *	5/2018	Davis	D6/661
D856,053 S	8/2019	Reyes	
D899,825 S *	10/2020	Li	D6/671.1
D905,478 S *	12/2020	Li	D6/657
D908,405 S *	1/2021	Davis	D6/661
D909,797 S *	2/2021	Davis	D6/657
D922,106 S *	6/2021	Li	D6/657
D927,897 S *	8/2021	Chu	D6/657
D941,064 S *	1/2022	Packer	D6/657
D948,251 S *	4/2022	Li	D6/671.1
D948,896 S *	4/2022	Chu	D6/657
D953,779 S *	6/2022	Chen	D6/657

\* cited by examiner

*Primary Examiner* — Catherine Ho

(74) *Attorney, Agent, or Firm* — Rumit Ranjit Kanakia

(57) **CLAIM**

The ornamental design for a cabinet door, as shown and described.

**DESCRIPTION**

FIG. 1 is a top perspective view of a cabinet door, showing my new design;  
 FIG. 2 is bottom perspective view thereof;  
 FIG. 3 is a front elevational view thereof;  
 FIG. 4 is an enlarged detailed view of the encircled area 4 in FIG. 1;  
 FIG. 5 is an enlarged detailed view of the encircled area 5 in FIG. 1;  
 FIG. 6 is an enlarged detailed view of the encircled area 6 in FIG. 2; and,  
 FIG. 7 is an enlarged detailed view of the encircled area 7 in FIG. 2.  
 The broken lines in the figures are for the purposes of illustrating portions of the cabinet door, which form no part of the claimed design.

**1 Claim, 7 Drawing Sheets**

(56) **References Cited**  
 U.S. PATENT DOCUMENTS

D38,666 S *	7/1907	Thornley	D6/703
991,527 A *	5/1911	Miller	E06B 9/01 160/102
D186,113 S *	9/1959	Church	D6/671
D186,115 S *	9/1959	Church	D6/671.1
D186,116 S *	9/1959	Church	D6/671.1
D186,118 S *	9/1959	Church	D6/662.1
D572,055 S	7/2008	Huang	
D572,954 S	7/2008	Huang	
D613,528 S	4/2010	Louk	
D635,802 S	4/2011	Voron	
D663,138 S *	7/2012	Andersen	D6/661
D667,654 S *	9/2012	Lenney	D6/671.1
D690,124 S	9/2013	Baker	
D697,346 S	1/2014	Wysock	
D697,347 S	1/2014	Wysock	
D764,846 S	8/2016	Reinhart	

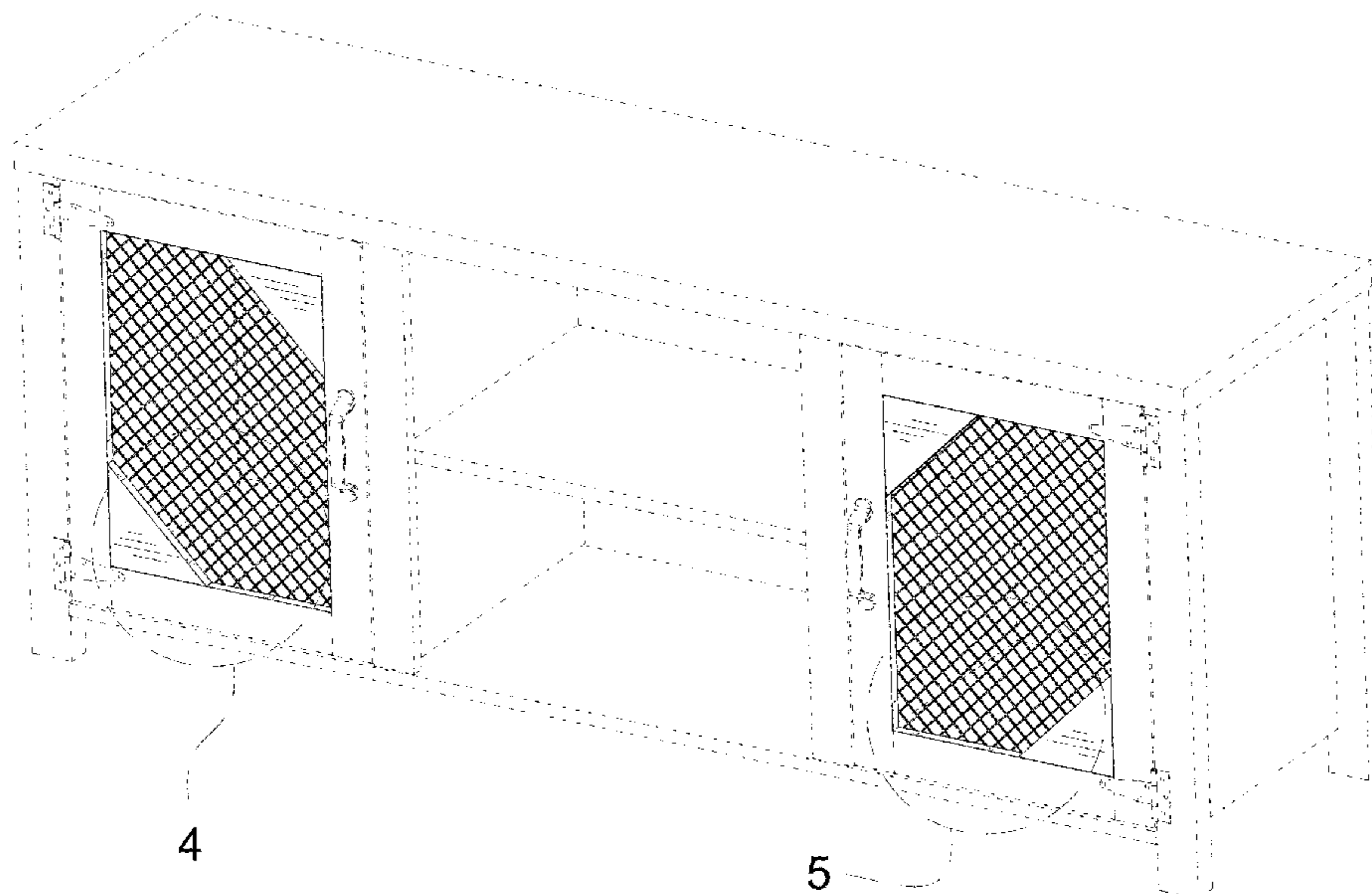




FIG. 1

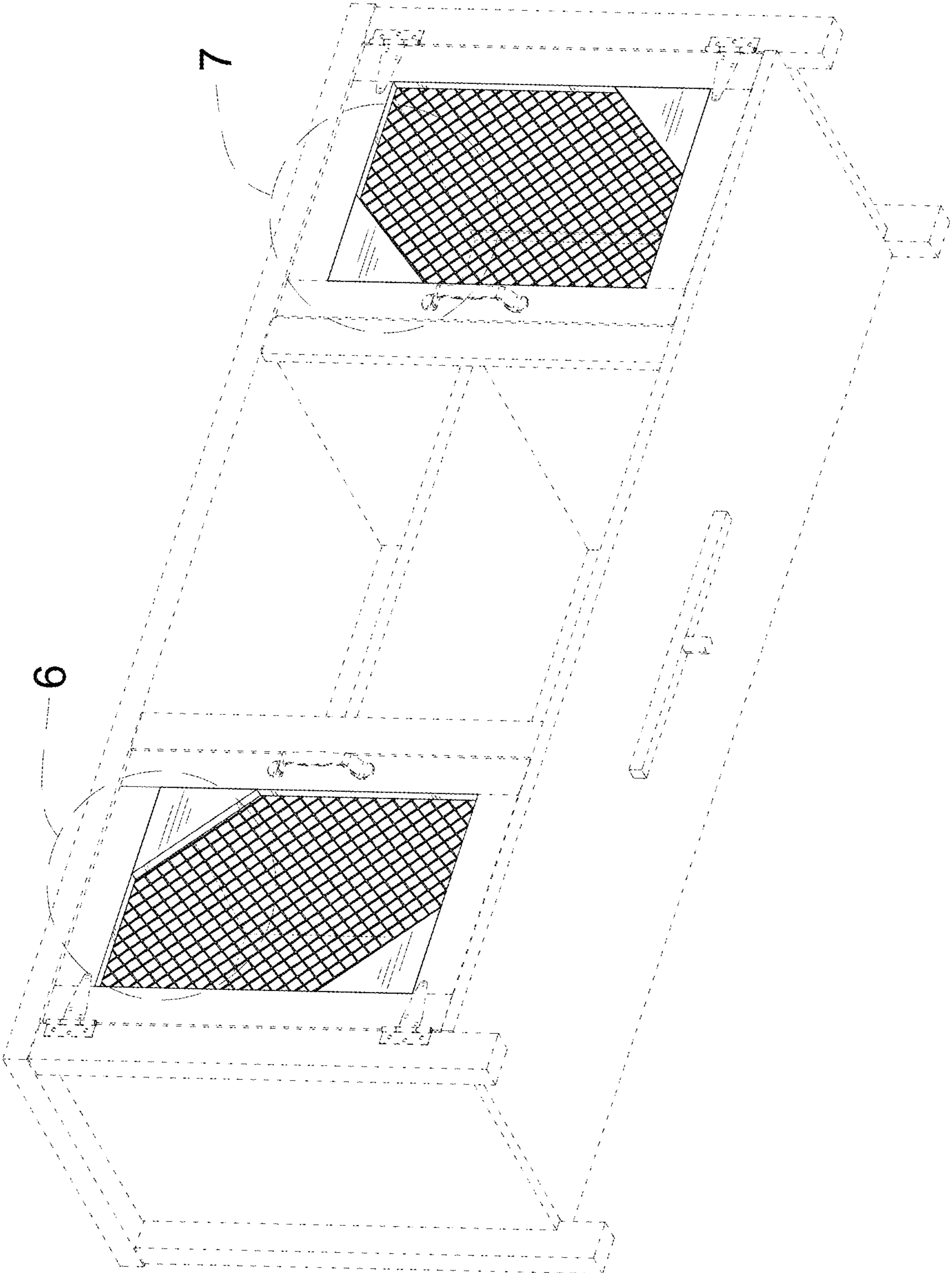


FIG. 2

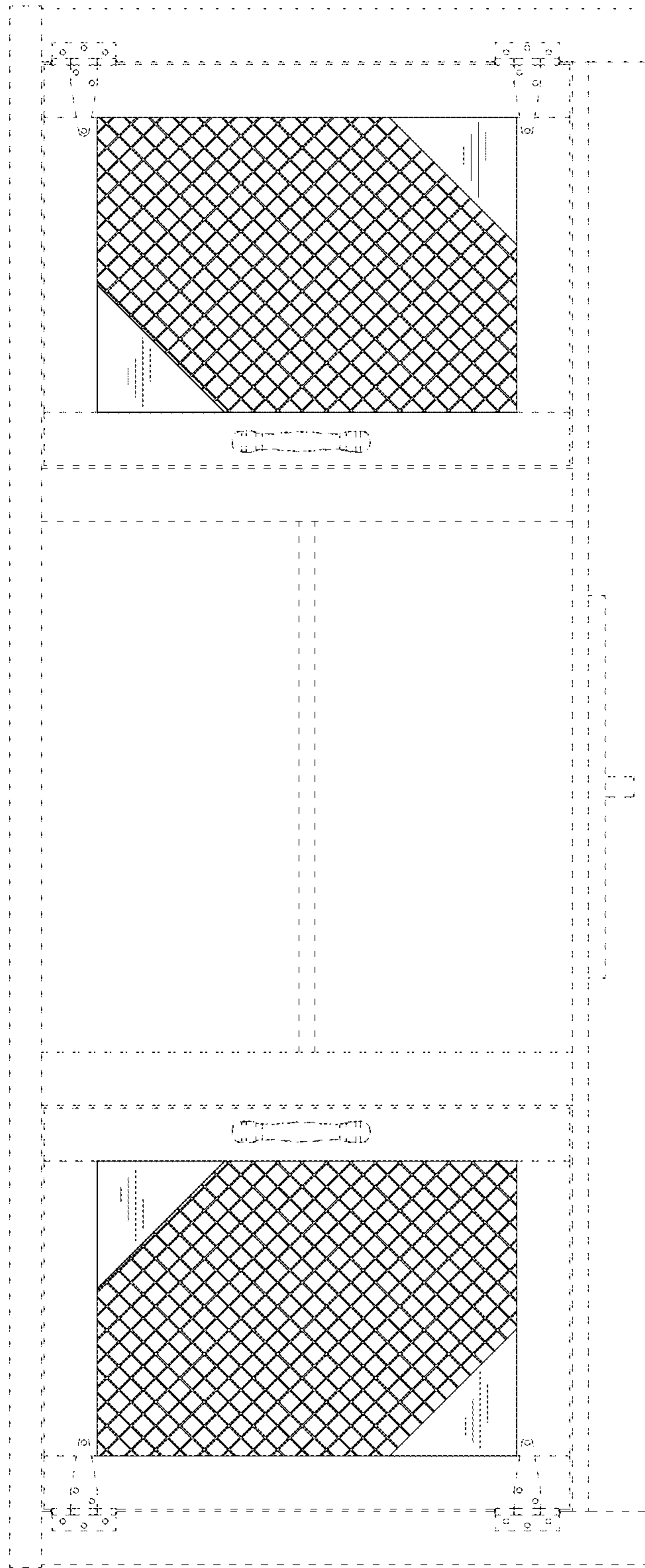


FIG. 3

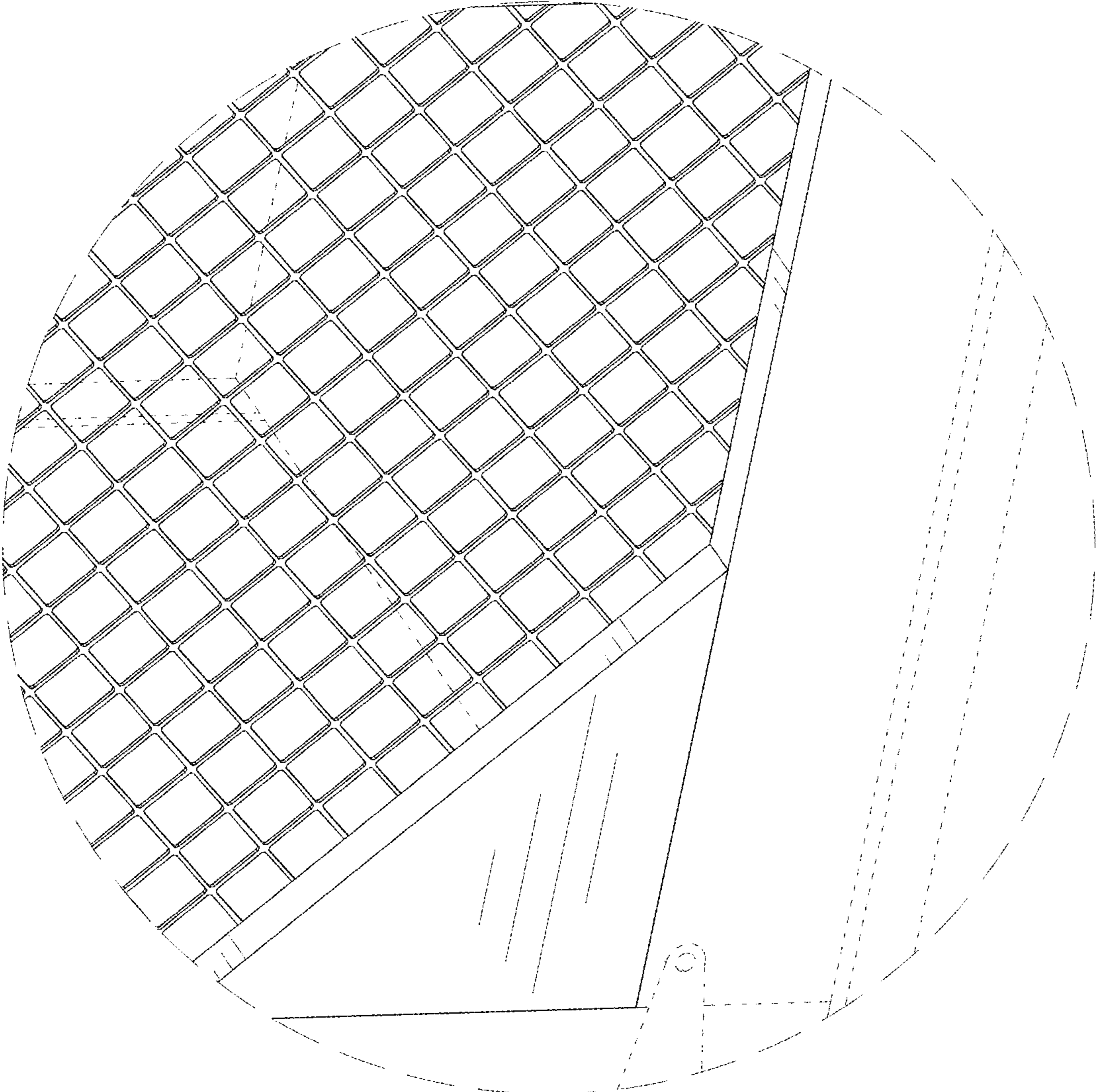


FIG. 4

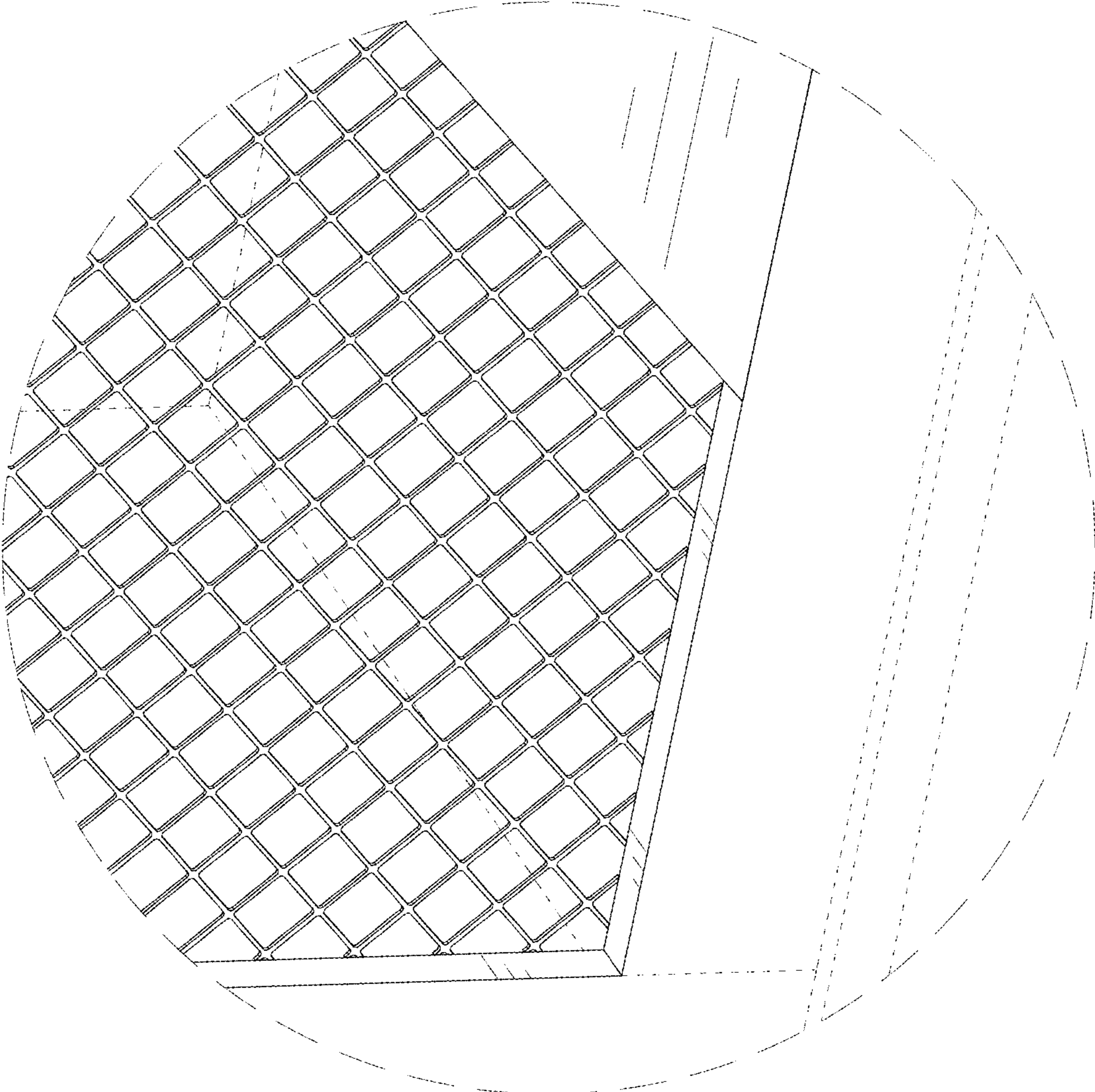


FIG. 5

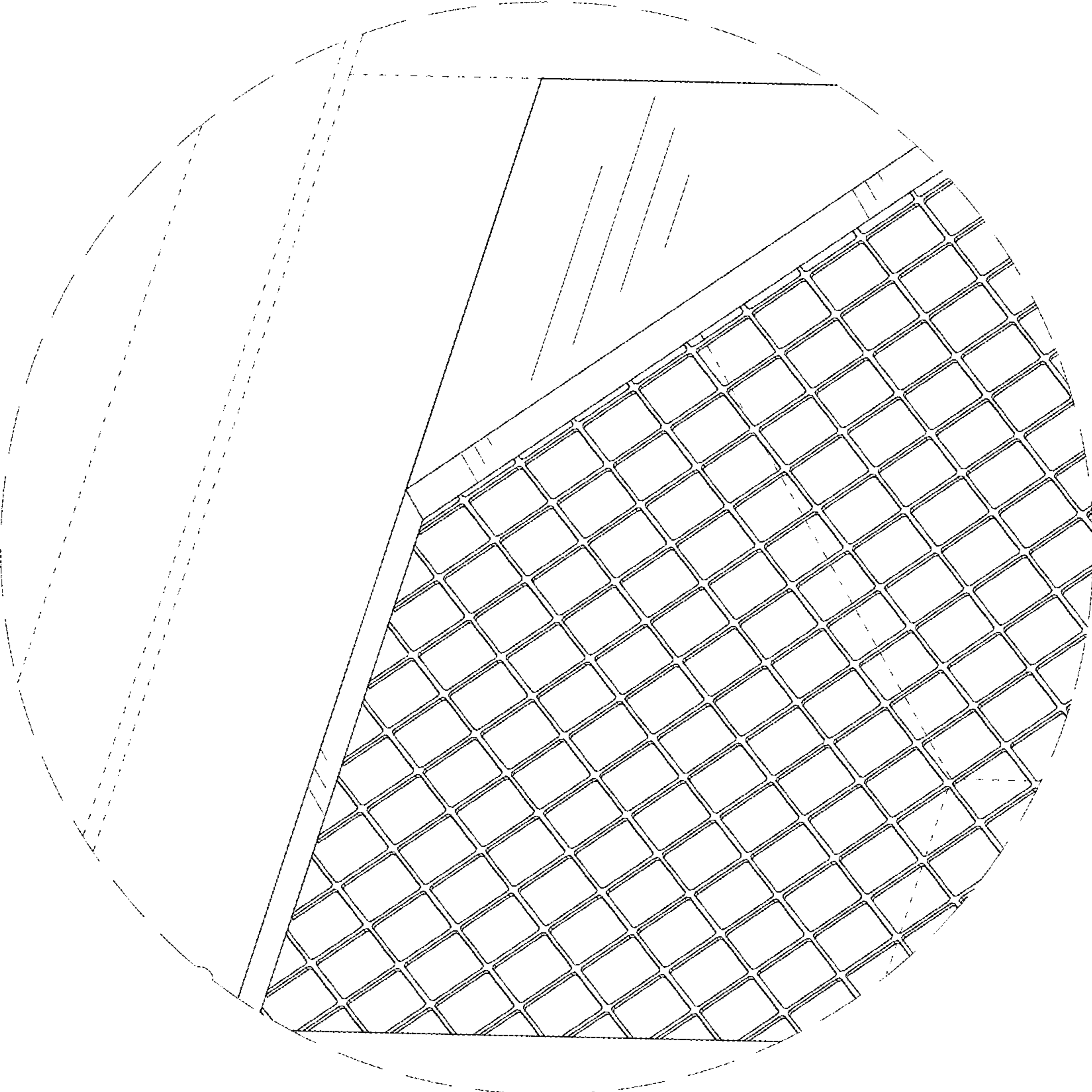


FIG. 6

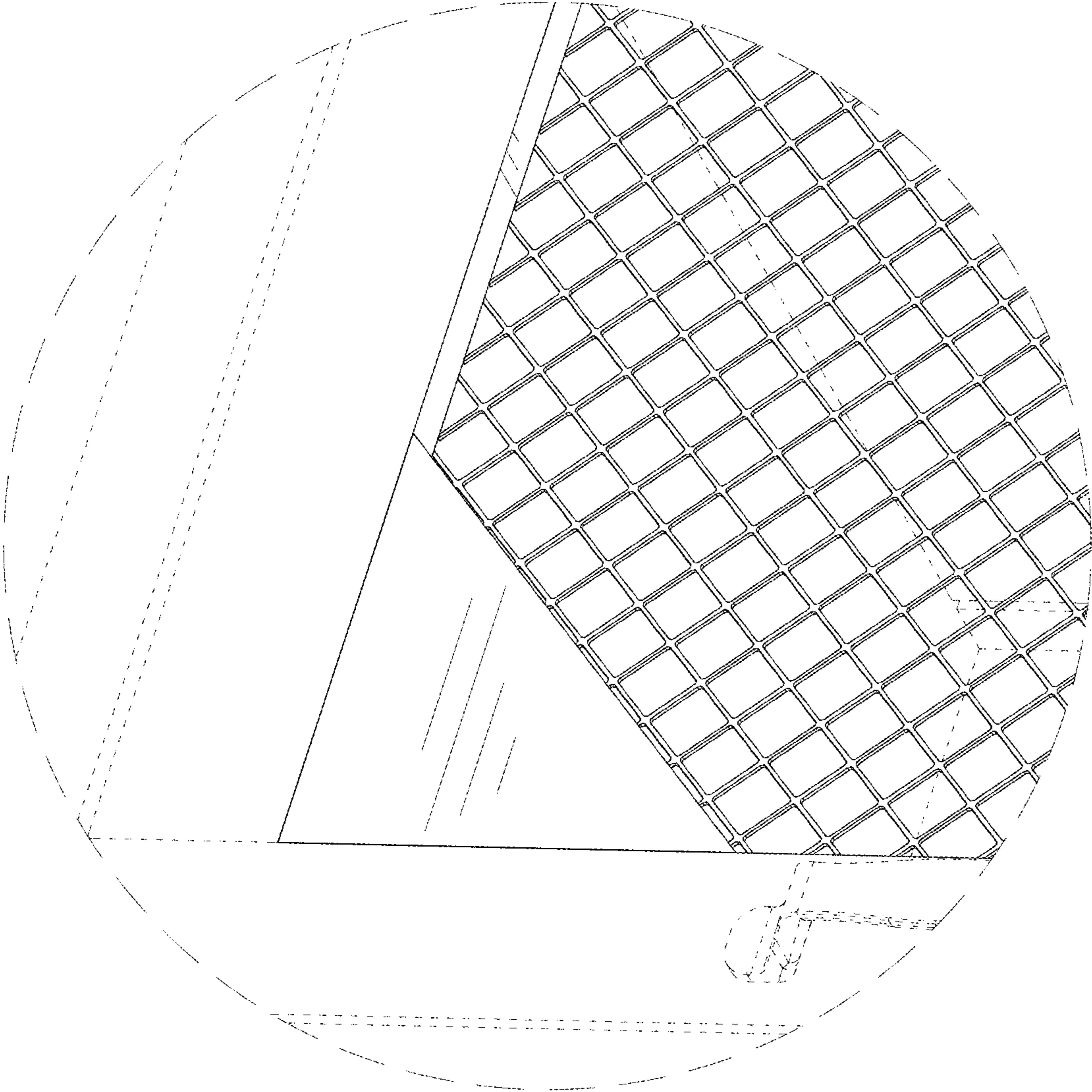


FIG. 7