



US00D974810S

(12) **United States Design Patent**
Zhang

(10) **Patent No.:** **US D974,810 S**
(45) **Date of Patent:** **** Jan. 10, 2023**

- (54) **BALLOON ARCH STAND**
- (71) Applicant: **Binhua Zhang**, Shenzhen (CN)
- (72) Inventor: **Binhua Zhang**, Shenzhen (CN)
- (**) Term: **15 Years**
- (21) Appl. No.: **29/849,117**
- (22) Filed: **Aug. 8, 2022**
- (51) **LOC (14) Cl.** **06-04**
- (52) **U.S. Cl.**
USPC **D6/677**
- (58) **Field of Classification Search**
USPC D6/332, 672, 677, 677.5, 681, 681.1;
D21/453, 699, 790, 791; D20/19, 41;
D11/164; D25/100, 101
CPC . E04B 1/32; E04H 15/34; E04H 15/36; A47F
5/14; A47F 7/00; A63B 63/00; A63H
2027/1041; A63H 2027/01008; A63H
27/10
See application file for complete search history.

- (56) **References Cited**
U.S. PATENT DOCUMENTS
4,811,956 A * 3/1989 Foreman F41J 1/10
273/409
5,057,981 A * 10/1991 Bowen F21S 4/20
362/808
D328,138 S 7/1992 Nadherny-Borutin
D333,280 S * 2/1993 Rago D25/100
D422,326 S * 4/2000 Lai D21/699
8,172,636 B1 * 5/2012 Carbonero A63B 19/04
446/120
9,051,755 B2 * 6/2015 Heining E04H 12/2253
9,957,707 B1 * 5/2018 Cooper, Jr. F21S 4/20
D828,057 S * 9/2018 Yaguchi D6/681
10,190,330 B2 * 1/2019 Barnes E04H 15/30
D867,457 S * 11/2019 Sweeney D21/302
D874,164 S * 2/2020 Hamilton A63B 19/04
D6/332
D874,165 S * 2/2020 Hamilton A63B 63/00
D6/332

- D948,992 S * 4/2022 Werlinger D8/354
- D953,077 S * 5/2022 Zhuang E04H 15/30
D6/677.5
- D953,458 S * 5/2022 Engler E04H 15/60
D21/699
- D964,785 S * 9/2022 Sun G09F 21/06
D6/672
- D966,721 S * 10/2022 McKenna D6/332
- 2001/0045074 A1 * 11/2001 Kim G09F 21/06
52/656.2

(Continued)

OTHER PUBLICATIONS

Decojoy Circle Balloon Arch Kit, amazon.com, https://www.amazon.com/Decojoy-Backdrop-Adjustable-Reusable-Graduation/dp/B0B78KJVFS/ref=sr_1_2_sspa?keywords=Decojoy&qid=1667924586&sr=8-2-spons&ufe=app_do%3Aamazon.fos.18ed3cb5-28d5-4975-8bc7-93deae8f9840&psc=1 (Year: 2022).*

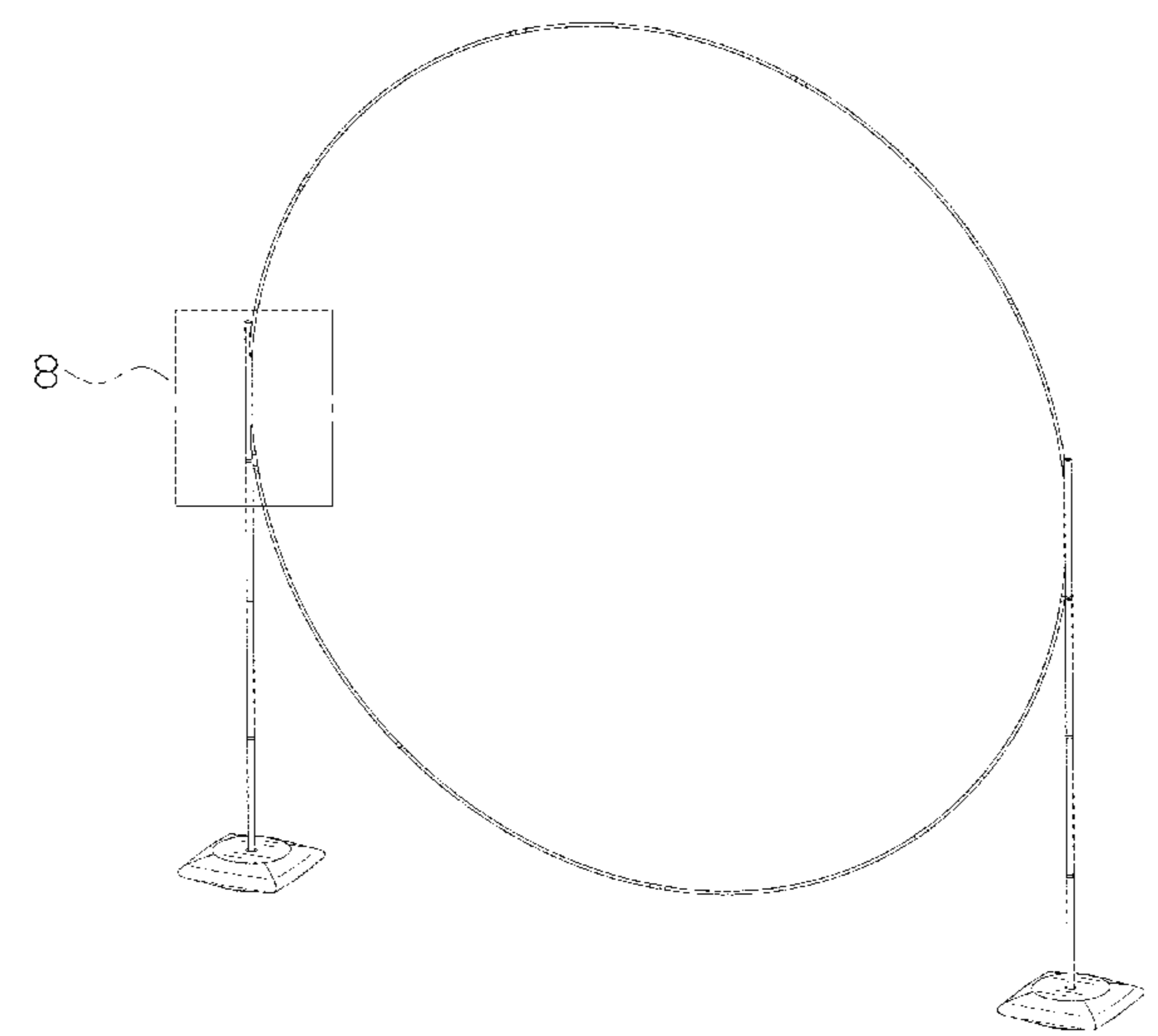
Primary Examiner — Steven J Czyz
(74) *Attorney, Agent, or Firm* — ScienBiziP, P.C.

(57) **CLAIM**
The ornamental design for a balloon arch stand, as shown and described.

DESCRIPTION

FIG. 1 is a front, right and top perspective view of a balloon arch stand, showing my design.
FIG. 2 is a front elevation view thereof.
FIG. 3 is a rear elevation view thereof.
FIG. 4 is a left side elevation view thereof.
FIG. 5 is a right side elevation view thereof.
FIG. 6 is a top plan view thereof.
FIG. 7 is a bottom plan view thereof; and,
FIG. 8 is a partial enlarged view of an area labeled 8 in FIG. 1.
The dot-dash broken lines in FIGS. 1 and 8 depict the boundaries of the enlargements that form no part of the claimed design.

1 Claim, 8 Drawing Sheets



(56)

References Cited

U.S. PATENT DOCUMENTS

2003/0089390 A1* 5/2003 Seo E04H 15/60
135/120.4
2003/0159345 A1* 8/2003 Oliver A01G 5/04
47/41.01
2007/0052178 A1* 3/2007 Cottrell A63B 63/00
273/402

* cited by examiner

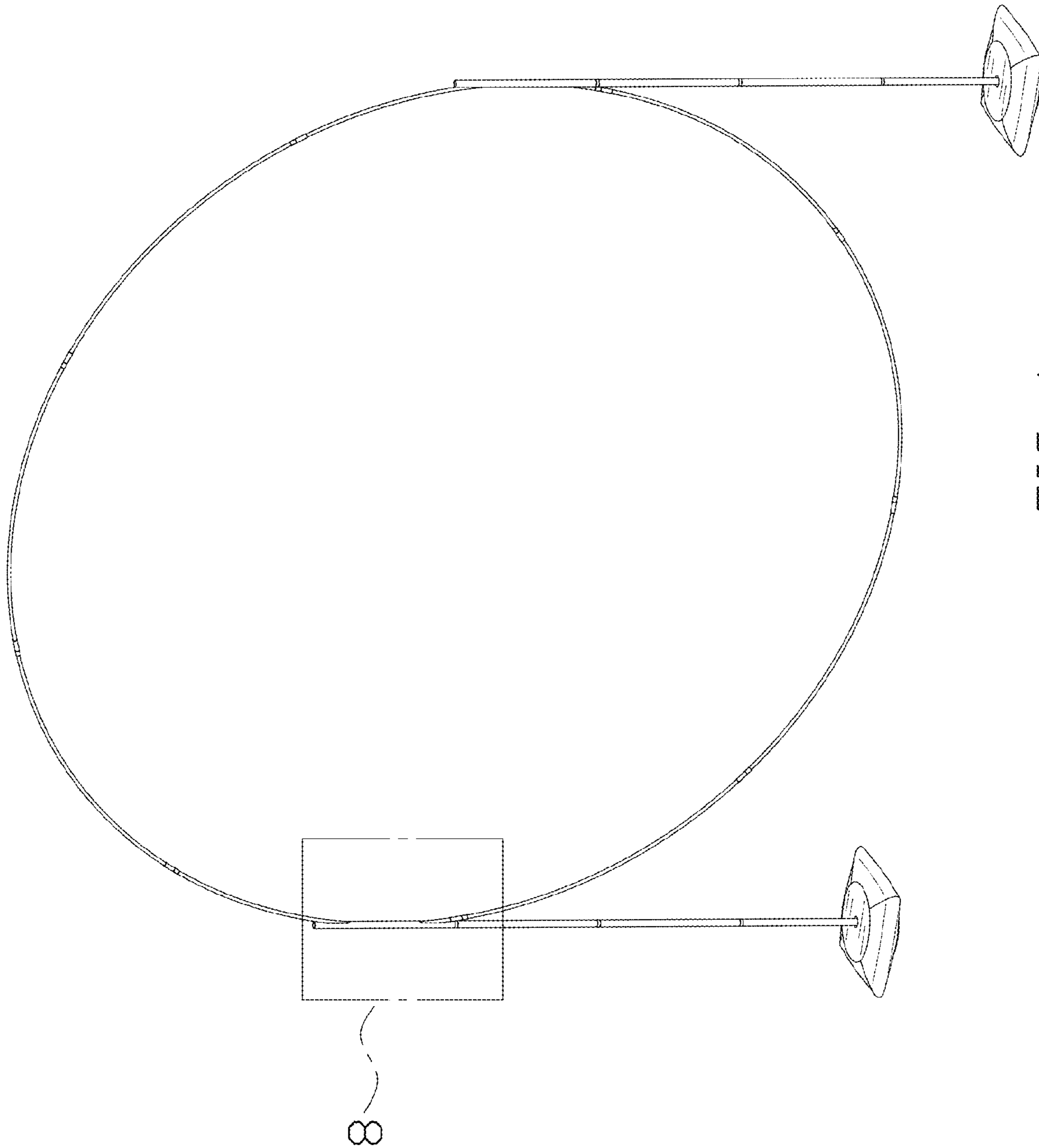


FIG. 1

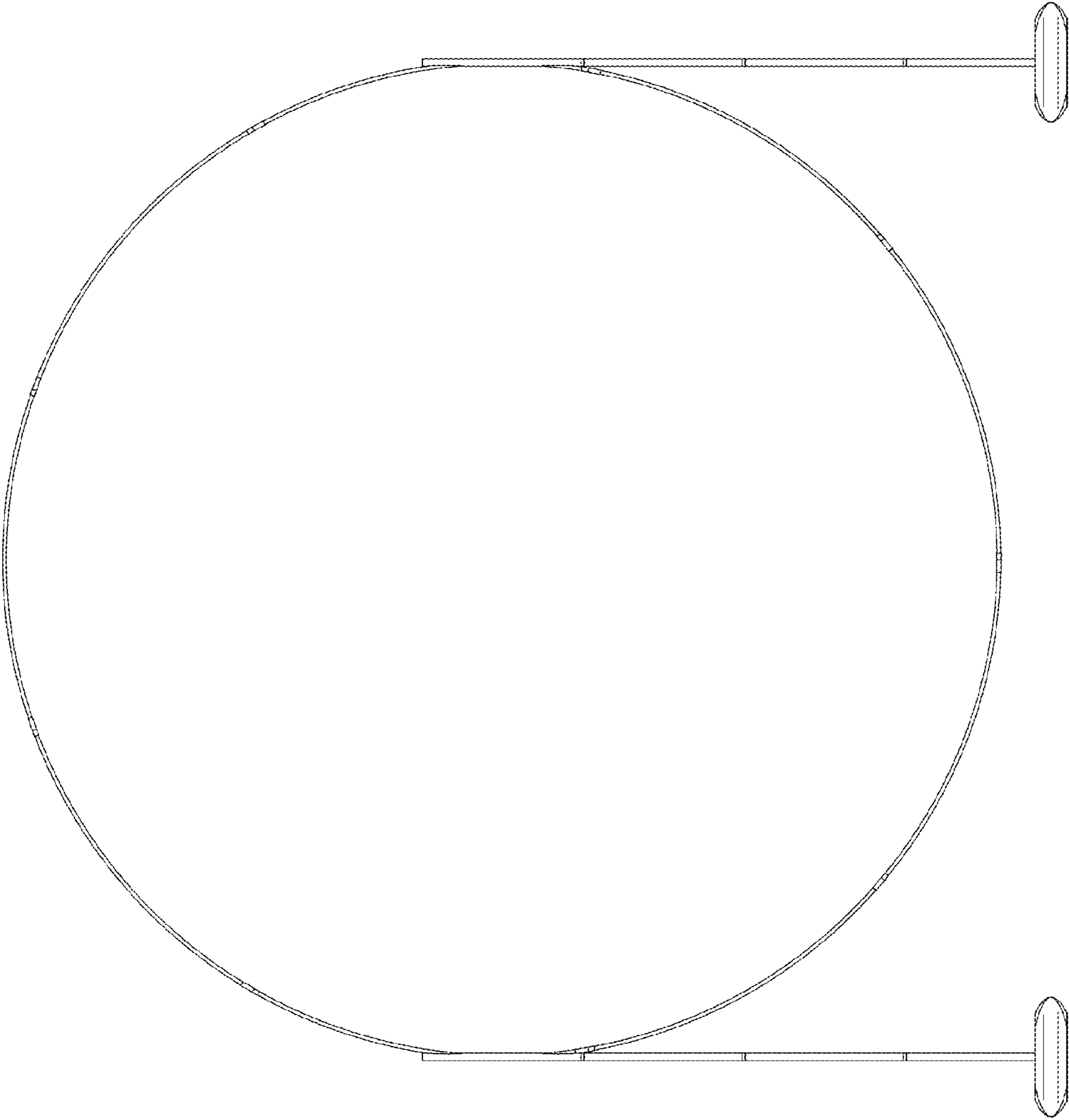


FIG. 2

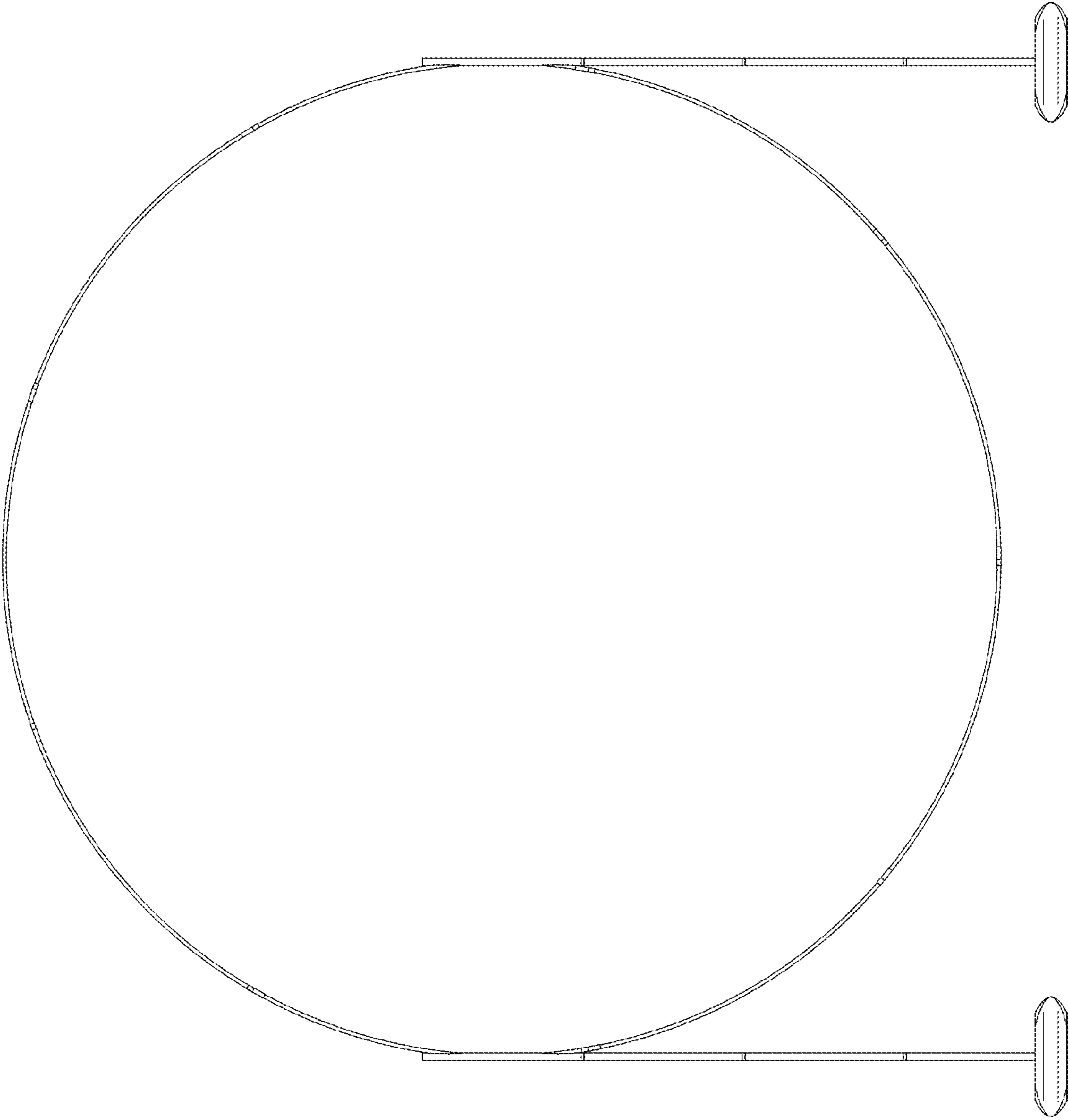


FIG. 3

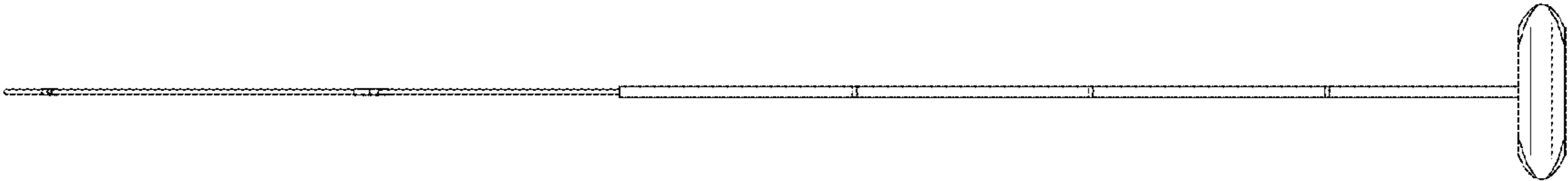


FIG. 4



FIG. 5

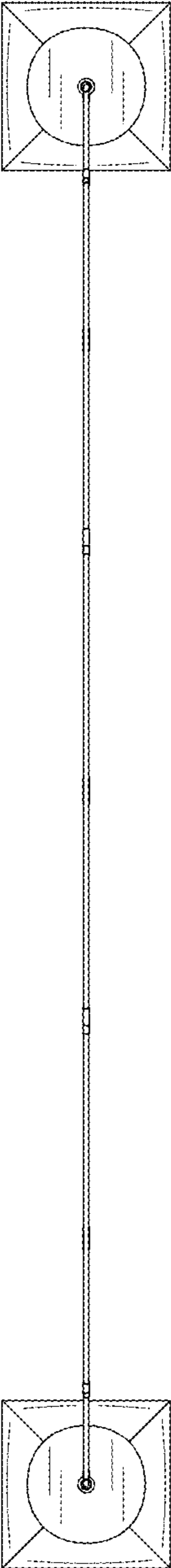


FIG. 6

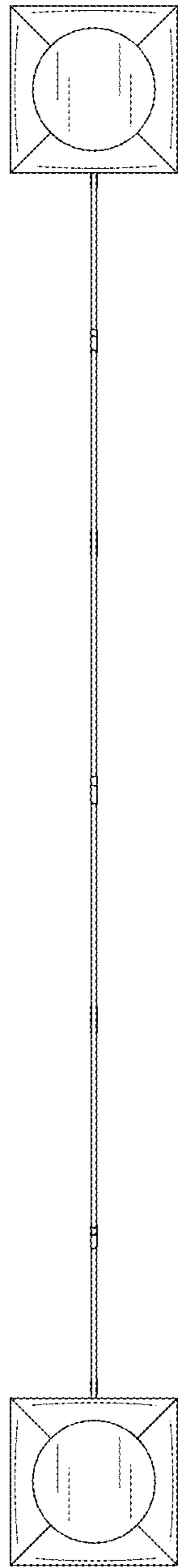


FIG. 7

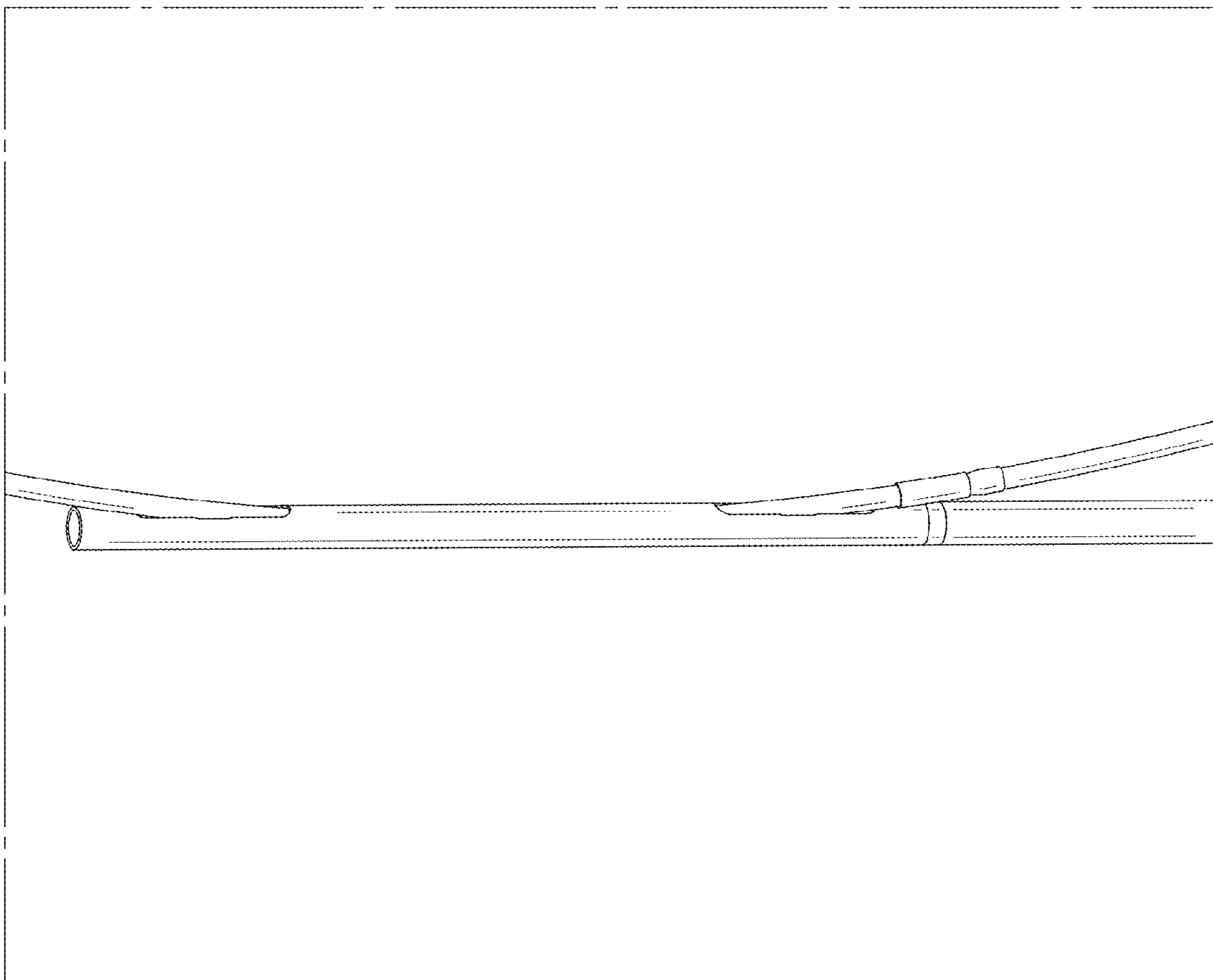


FIG. 8