



US00D974807S

(12) **United States Design Patent** (10) **Patent No.:** **US D974,807 S**  
**DeJesus et al.** (45) **Date of Patent:** **\*\* Jan. 10, 2023**

(54) **RETAIL FIXTURE**

(56) **References Cited**

(71) Applicant: **Apple Inc.**, Cupertino, CA (US)

U.S. PATENT DOCUMENTS

(72) Inventors: **Manuel DeJesus**, San Francisco, CA (US); **Joshua Robert Edwards**, Santa Cruz, CA (US); **Jean-Marc Gady**, Los Altos, CA (US); **Wesley Bryan Hamm**, San Francisco, CA (US); **Russell John Kaaihue Heirakuji**, Cupertino, CA (US); **Allison Inouye**, San Francisco, CA (US); **Moritz Wilsberg**, Rheinbreitbach (DE)

|              |         |                |          |
|--------------|---------|----------------|----------|
| D248,345 S   | 7/1978  | Stoddard       |          |
| D274,203 S   | 6/1984  | Everett        |          |
| D300,966 S   | 5/1989  | Colby          |          |
| D303,190 S   | 9/1989  | Suttles        |          |
| 4,886,327 A  | 12/1989 | Amstutz et al. |          |
| D305,286 S   | 1/1990  | Otema          |          |
| D347,755 S   | 6/1994  | Houston        |          |
| D367,786 S * | 3/1996  | Carr           | D6/699   |
| D403,889 S * | 1/1999  | Geier          | D6/662.1 |
| D406,964 S   | 3/1999  | Lewis          |          |
| D413,211 S * | 8/1999  | Baluk          | D6/699.2 |
| D427,814 S   | 7/2000  | Black          |          |
| D427,815 S   | 7/2000  | Lewis          |          |

(73) Assignee: **Apple Inc.**, Cupertino, CA (US)

(Continued)

(\*\*) Term: **15 Years**

FOREIGN PATENT DOCUMENTS

(21) Appl. No.: **29/817,646**

KR 30-0703066 S 7/2013

(22) Filed: **Dec. 2, 2021**

*Primary Examiner* — Kelley A Donnelly

(74) *Attorney, Agent, or Firm* — Sterne, Kessler, Goldstein & Fox P.L.L.C.

**Related U.S. Application Data**

(63) Continuation of application No. 29/780,929, filed on Apr. 27, 2021, now Pat. No. Des. 937,614, which is a continuation of application No. 29/741,447, filed on Jul. 13, 2020, now Pat. No. Des. 917,937, which is a continuation of application No. 29/655,967, filed on Jul. 9, 2018, now Pat. No. Des. 889,887.

(51) **LOC (14) Cl.** ..... **06-06**

(52) **U.S. Cl.**  
USPC ..... **D6/675**

(58) **Field of Classification Search**  
USPC ..... D6/672, 675, 675.1, 678, 678.1, 682, D6/682.3, 682.4, 683, 683.1  
CPC ..... A47B 73/00; A47B 73/002; A47B 47/00; A47B 47/008; A47B 47/25; A47F 5/00; A47F 5/0062

See application file for complete search history.

(57) **CLAIM**

The ornamental design for a retail fixture, as shown and described.

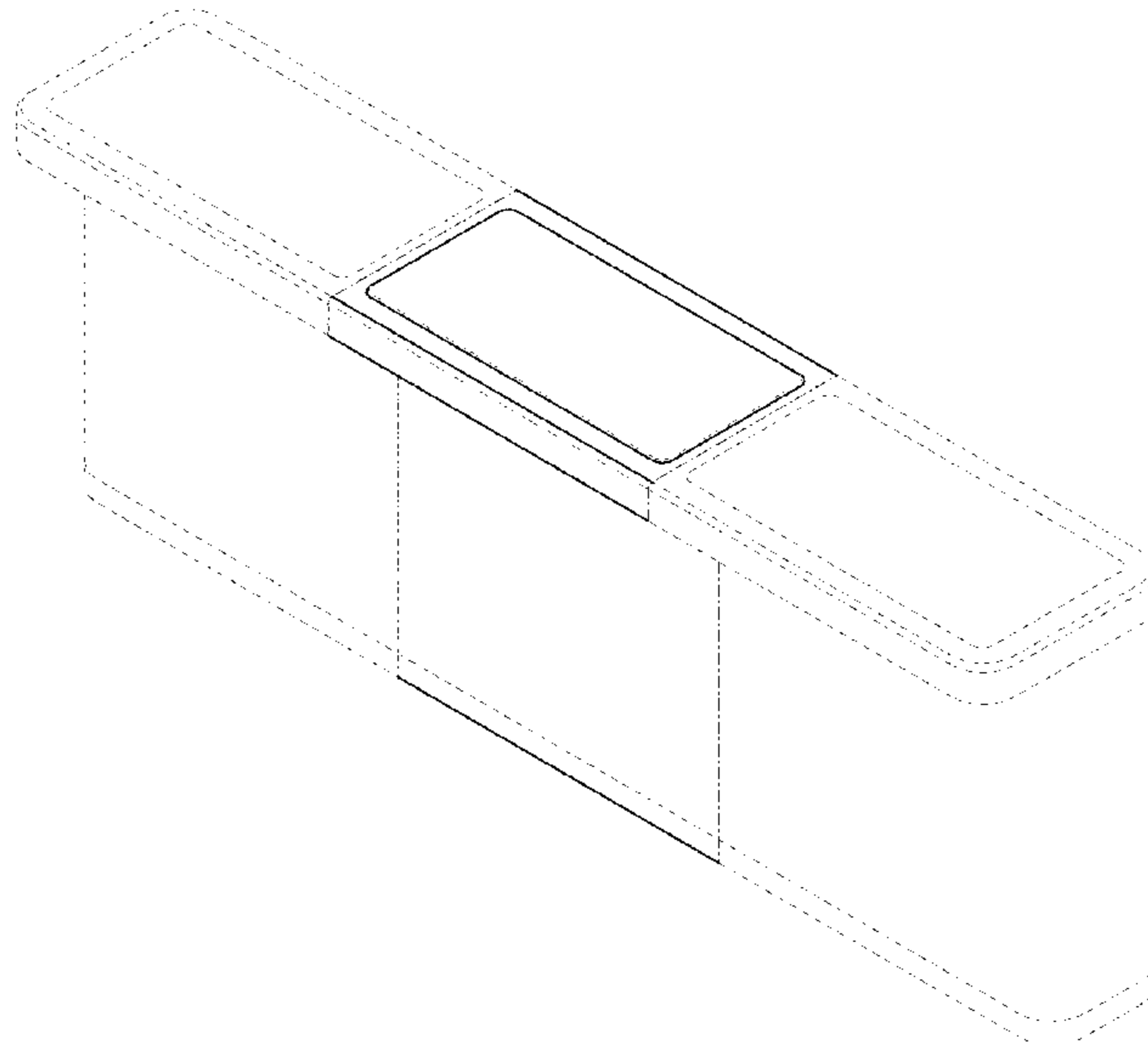
**DESCRIPTION**

FIG. 1 is a top front perspective view of a retail fixture showing the claimed design;  
FIG. 2 is a front view thereof;  
FIG. 3 is a rear view thereof;  
FIG. 4 is a left side view thereof;  
FIG. 5 is a right side view thereof;  
FIG. 6 is a top view thereof; and,  
FIG. 7 is a bottom view thereof.

The dashed broken lines in the figures show portions of the retail fixture that form no part of the claimed design.

The dot-dash broken lines in the figures show boundaries that form no part of the claimed design.

**1 Claim, 7 Drawing Sheets**



(56)

References Cited

U.S. PATENT DOCUMENTS

D465,936 S 11/2002 Arnold  
 D466,337 S 12/2002 Feng  
 D530,548 S 10/2006 McCurry  
 D539,569 S 4/2007 Lewis  
 D582,169 S 12/2008 Skalka  
 D583,577 S 12/2008 Wicha  
 D591,090 S 4/2009 Judkins  
 D599,570 S 9/2009 Skalka  
 D611,735 S 3/2010 Stukenberg  
 D611,736 S 3/2010 Navone  
 D651,651 S 1/2012 Beukema et al.  
 D657,978 S 4/2012 Hamm et al.  
 D659,415 S 5/2012 Soto et al.  
 D661,935 S 6/2012 Kozak et al.  
 D672,594 S 12/2012 Kozak et al.  
 D678,696 S 3/2013 Hamm et al.  
 D679,521 S 4/2013 Hamm et al.  
 D686,438 S 7/2013 Denby et al.  
 D688,494 S 8/2013 Hamm et al.  
 D693,156 S 11/2013 Hamm et al.  
 D693,610 S 11/2013 Denby et al.  
 D694,557 S 12/2013 Rodgers  
 D694,558 S 12/2013 Denby et al.  
 D703,985 S \* 5/2014 Ogawa ..... D6/707.22  
 D705,556 S 5/2014 Udagawa  
 D711,171 S 8/2014 Brielmaier  
 D713,190 S 9/2014 Behar  
 D713,658 S 9/2014 Smeds et al.  
 D717,554 S 11/2014 Kapka  
 D727,644 S 4/2015 Sorel  
 D728,281 S 5/2015 Heirakuji et al.  
 D729,560 S 5/2015 Hamm et al.

D730,071 S 5/2015 Sorel  
 D734,631 S 7/2015 Velez  
 D740,595 S 10/2015 Kim et al.  
 D741,616 S 10/2015 Sneve et al.  
 D750,921 S 3/2016 Kozak  
 D753,419 S 4/2016 Heirakuji et al.  
 D758,106 S 6/2016 Hamm et al.  
 D763,016 S 8/2016 Clark et al.  
 D766,630 S 9/2016 Akana et al.  
 D766,631 S 9/2016 Akana et al.  
 D767,310 S 9/2016 Akana et al.  
 D769,021 S 10/2016 Green et al.  
 D769,654 S 10/2016 Akana et al.  
 D776,471 S 1/2017 Mandon et al.  
 D783,324 S 4/2017 Akana et al.  
 D787,247 S 5/2017 Price et al.  
 D788,506 S 6/2017 Choi  
 D795,613 S 8/2017 Hamm et al.  
 D796,234 S 9/2017 Thaler et al.  
 D796,235 S 9/2017 Morrell  
 D810,476 S 2/2018 Heirakuji et al.  
 D821,116 S 6/2018 Hamm et al.  
 D846,313 S 4/2019 O' Gorman  
 D859,892 S 9/2019 Tio et al.  
 D869,210 S 12/2019 Mangold  
 D873,056 S 1/2020 Stafford et al.  
 D877,548 S 3/2020 Brugger et al.  
 D885,800 S 6/2020 Mills  
 D889,887 S 7/2020 DeJesus et al.  
 D891,163 S \* 7/2020 Laitila ..... D6/698  
 D894,645 S 9/2020 Ohmoto et al.  
 D900,513 S \* 11/2020 Li ..... D6/675  
 D917,937 S \* 5/2021 DeJesus ..... D6/675  
 D937,614 S \* 12/2021 DeJesus ..... D6/675  
 D938,211 S \* 12/2021 Inouye ..... D6/699

\* cited by examiner

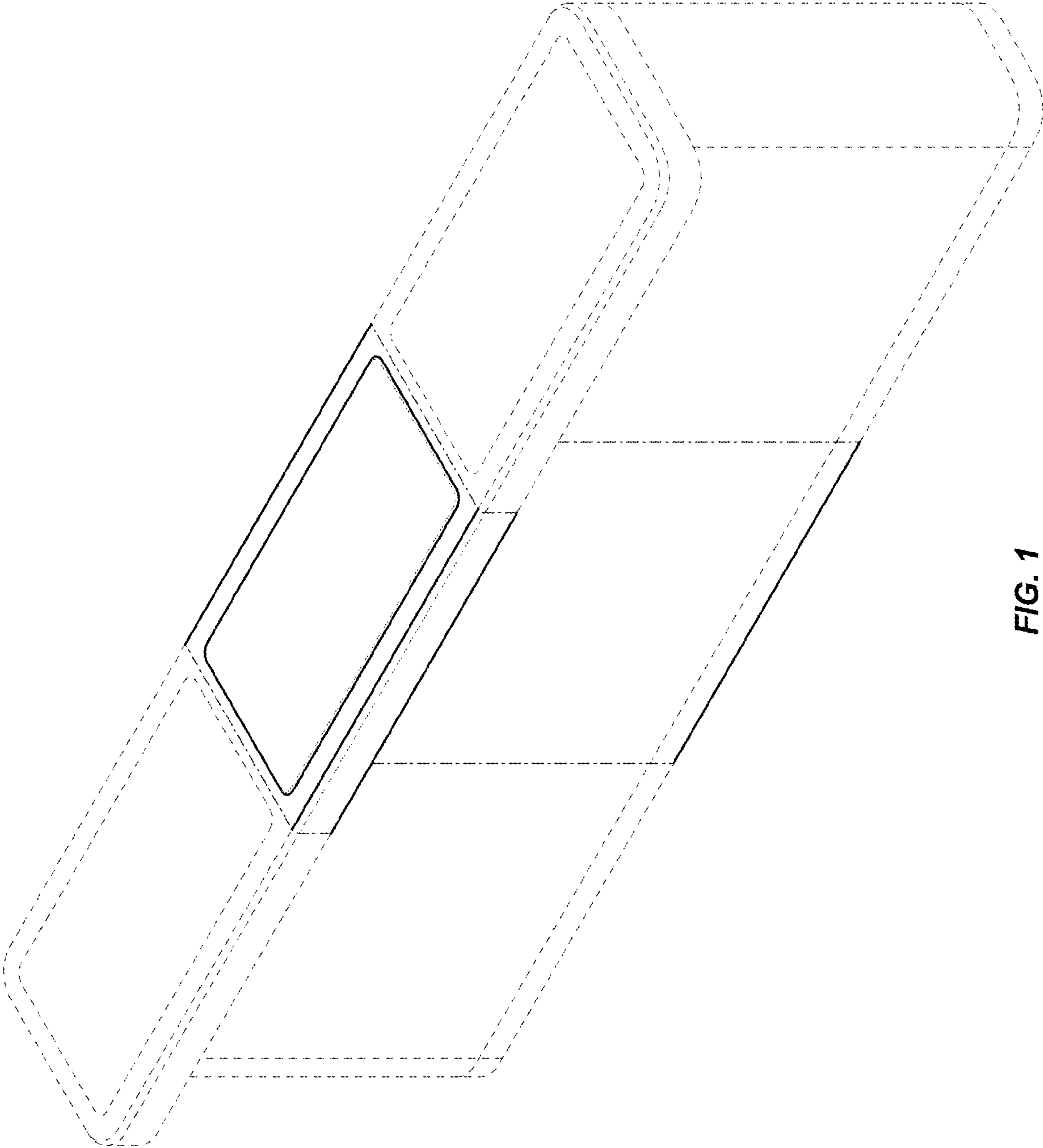


FIG. 1

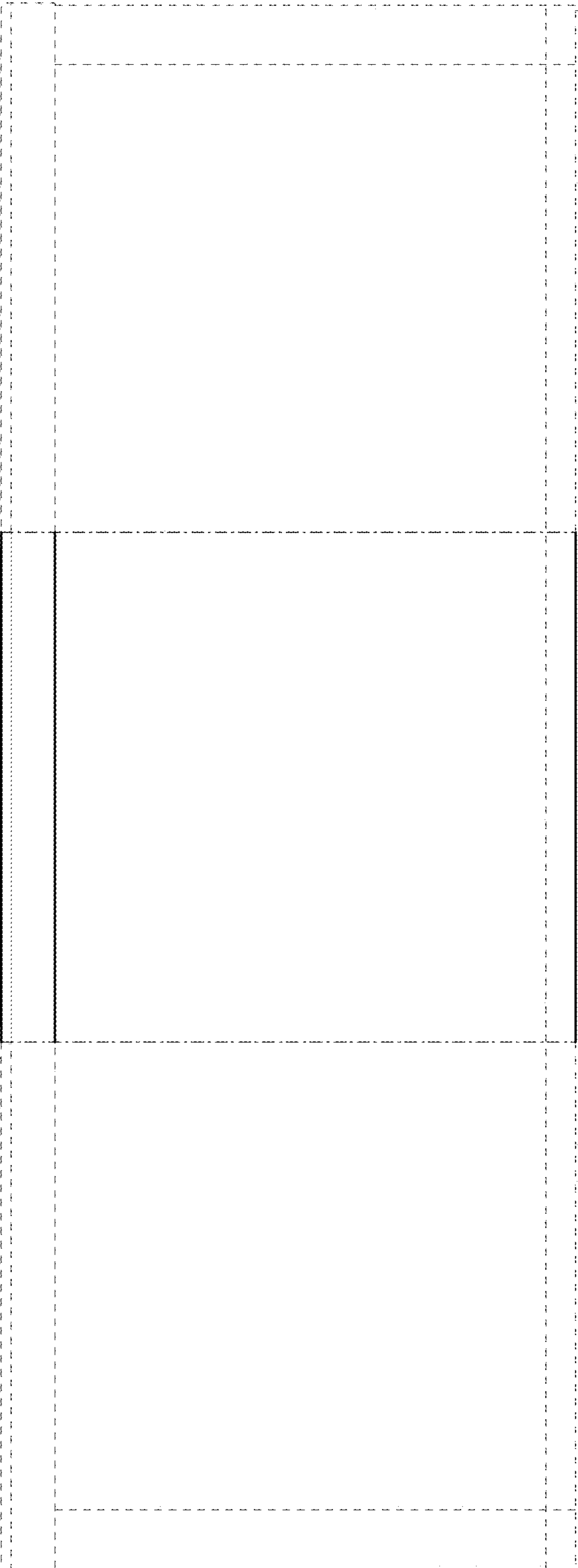


FIG. 2

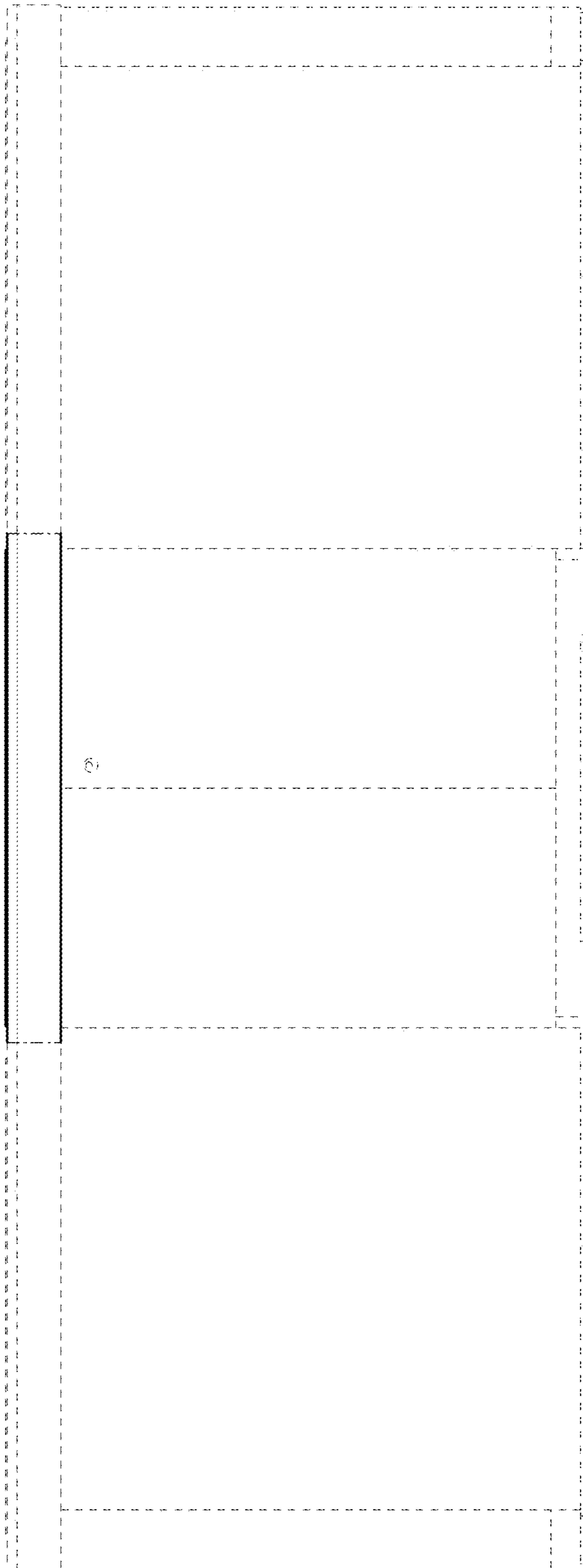
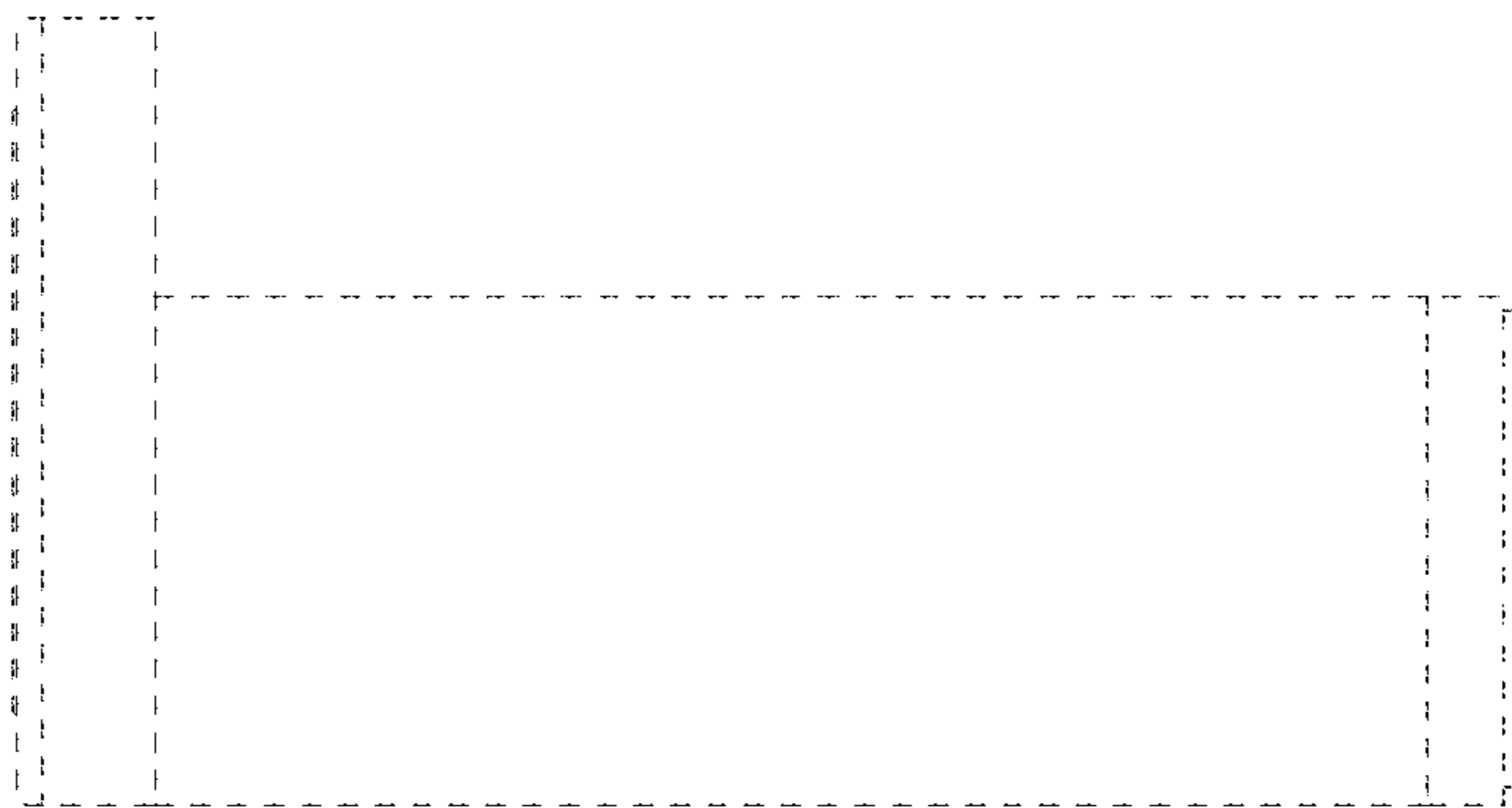
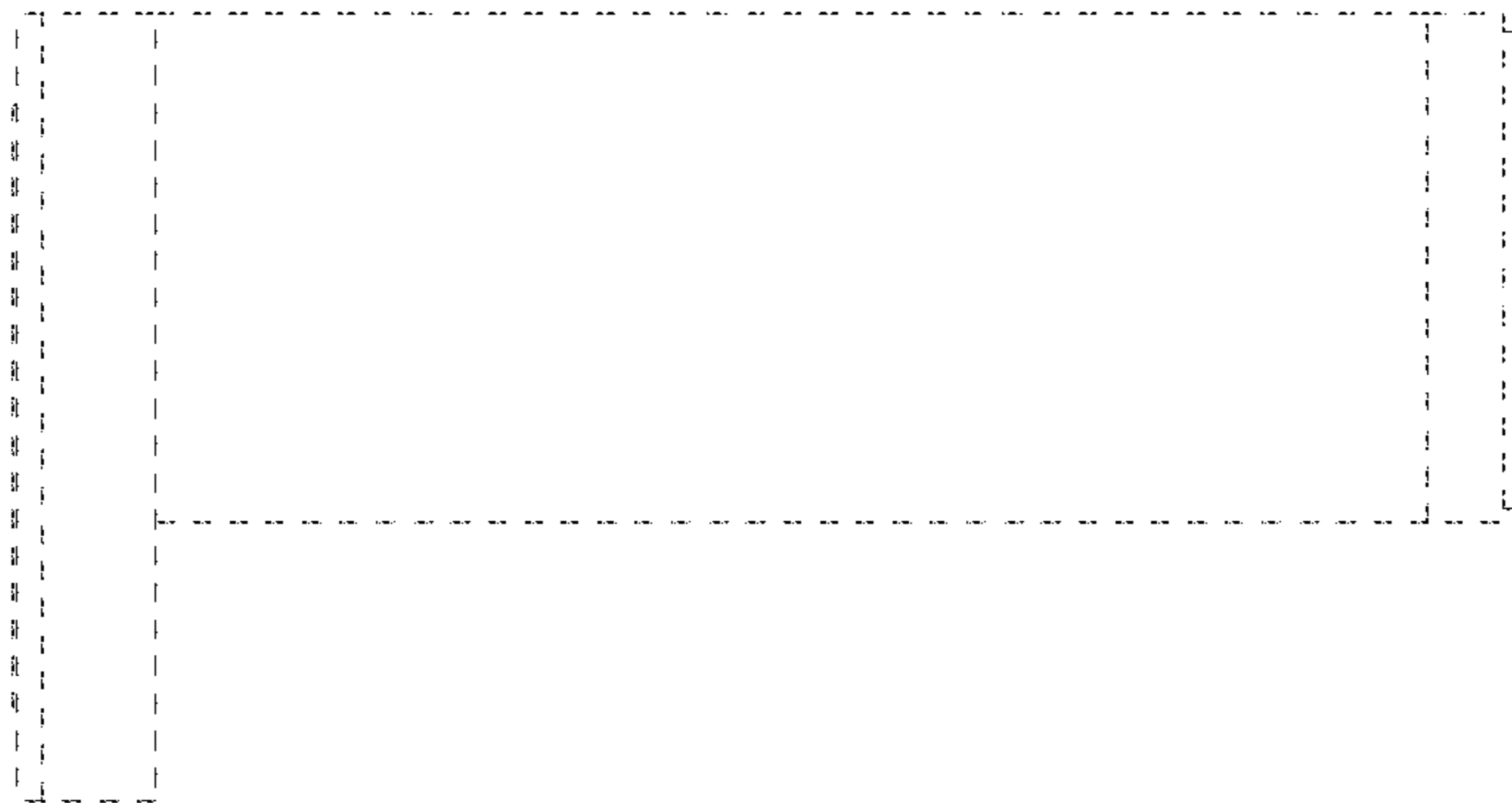


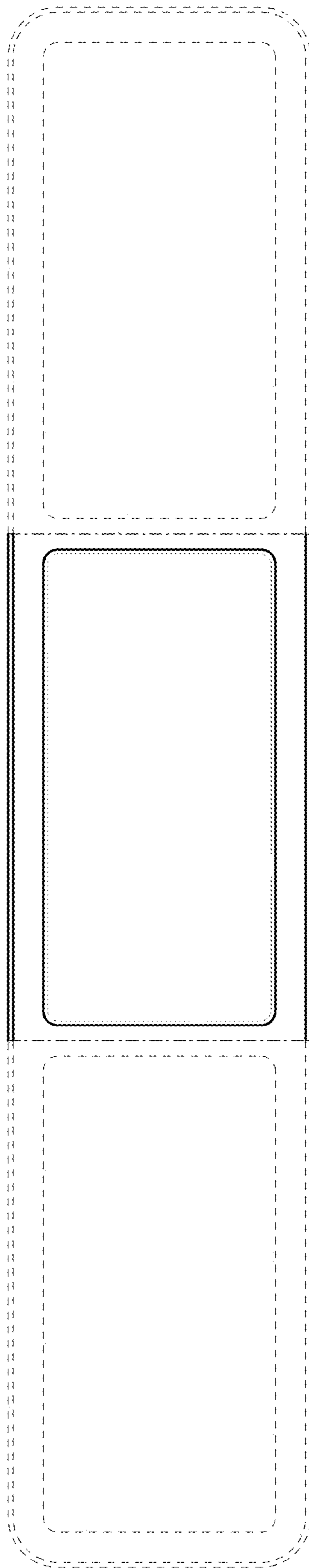
FIG. 3



**FIG. 4**

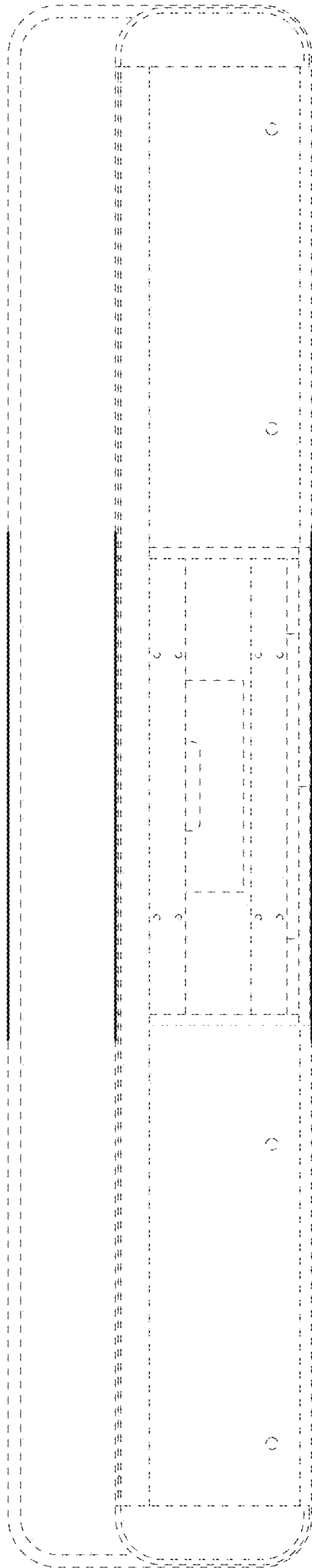


**FIG. 5**



**FIG. 6**





**FIG. 7**