



US00D974805S

(12) **United States Design Patent**
Chen

(10) **Patent No.:** **US D974,805 S**

(45) **Date of Patent:** **** Jan. 10, 2023**

(54) **NIGHTSTAND**

(71) Applicant: **KHD GROUP INC**, Walnut, CA (US)

(72) Inventor: **BiLian Chen**, Guangdong (CN)

(73) Assignee: **KHD GROUP INC**

(**) Term: **15 Years**

(21) Appl. No.: **29/812,979**

(22) Filed: **Oct. 26, 2021**

(51) **LOC (14) Cl.** **06-04**

(52) **U.S. Cl.**

USPC **D6/662.1**

(58) **Field of Classification Search**

USPC D6/657, 661, 662, 622.1, 663, 664,
D6/664.1, 671, 671.1, 671.2, 671.3,
D6/671.4, 662.1

CPC A47B 17/04; A47B 47/04; A47B 47/03;
A47B 67/00; A47B 67/005; A47B 67/04;
A47B 88/00; A47B 88/40; A47B 88/42

See application file for complete search history.

(56) **References Cited**

U.S. PATENT DOCUMENTS

D82,622 S * 11/1930 Pauli D6/657
D496,187 S * 9/2004 Clucas D6/662.1

D500,215 S * 12/2004 Winter D6/662.1
D530,941 S * 10/2006 Domack D6/663
D722,456 S 2/2015 Kielwasser
D815,465 S 4/2018 Hannoosh

OTHER PUBLICATIONS

Asagle Vincyer Nightstand End Table Side Table Tall Nightstand with Drawer a, ebay.com, Retrieved Date: Sep. 12, 2022, p. 1, from <https://www.ebay.com/p/12048241545?iid=195308616093> (Year: 2022).*

* cited by examiner

Primary Examiner — Mimosa De

(57) **CLAIM**

The ornamental design for a nightstand, as shown and described.

DESCRIPTION

FIG. 1 is a perspective view of a nightstand showing my new design;

FIG. 2 is a front view thereof;

FIG. 3 is a back view thereof;

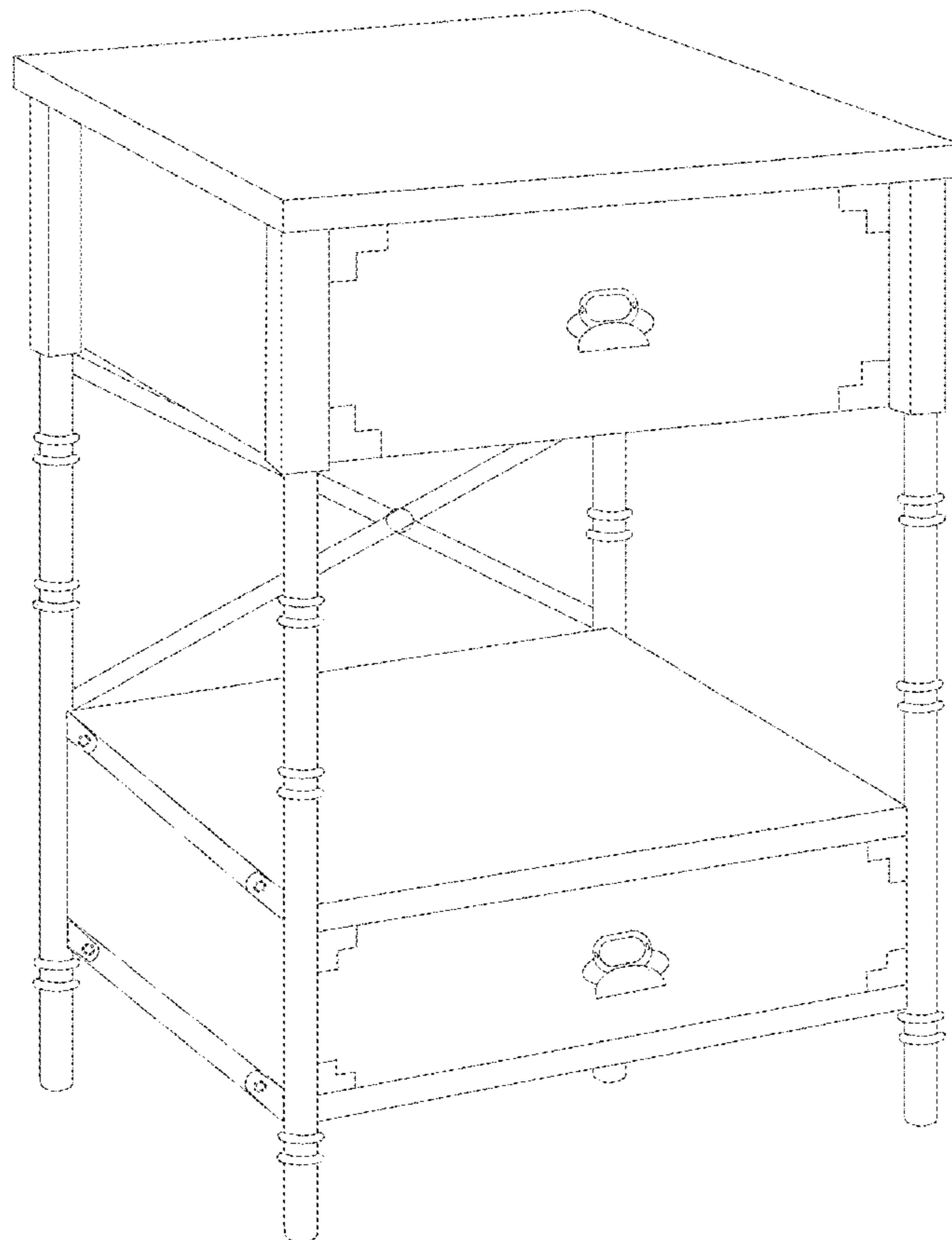
FIG. 4 is a left side view thereof;

FIG. 5 is a right side view thereof;

FIG. 6 is a top plan view thereof; and,

FIG. 7 is a bottom plan view thereof.

1 Claim, 7 Drawing Sheets



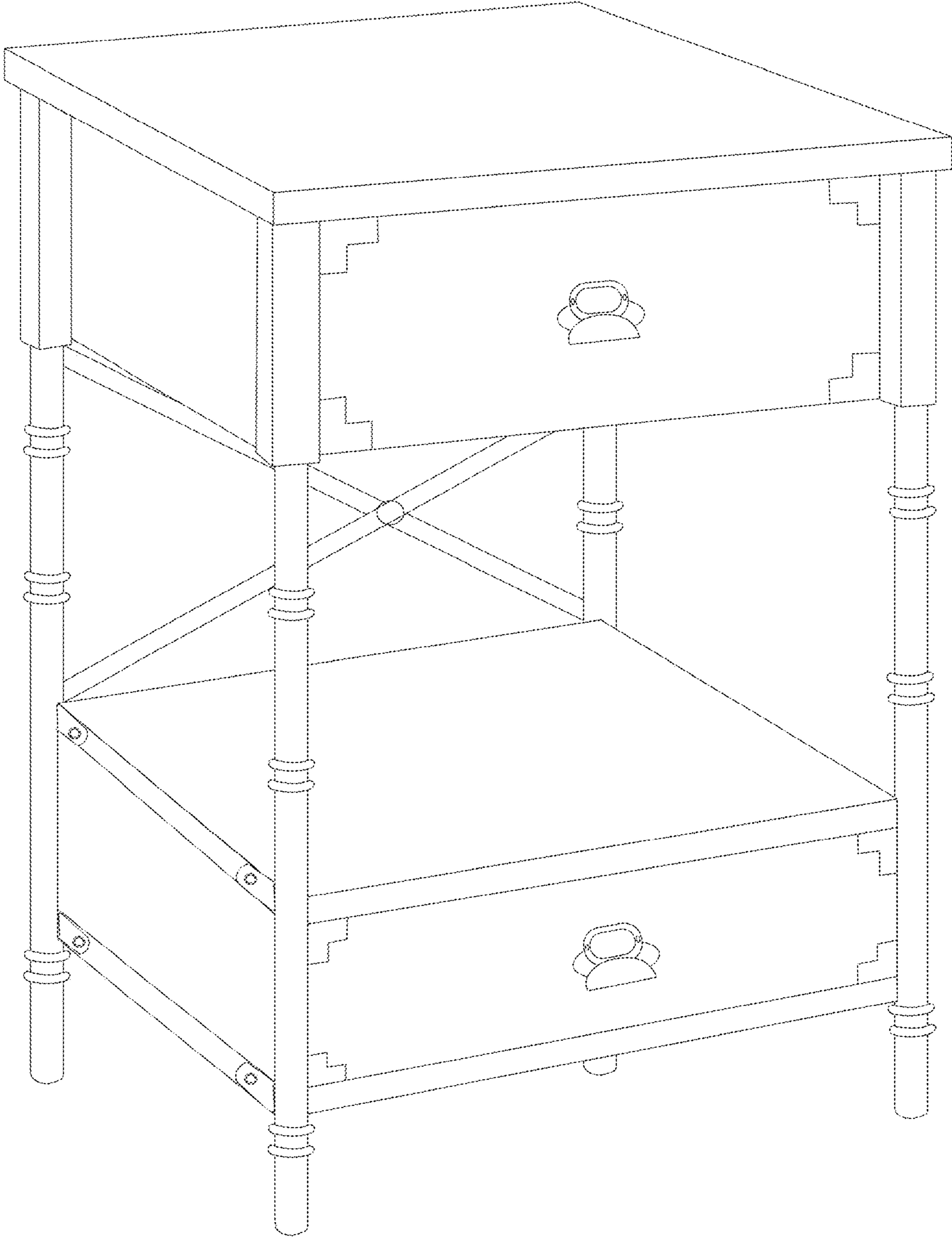


FIG1

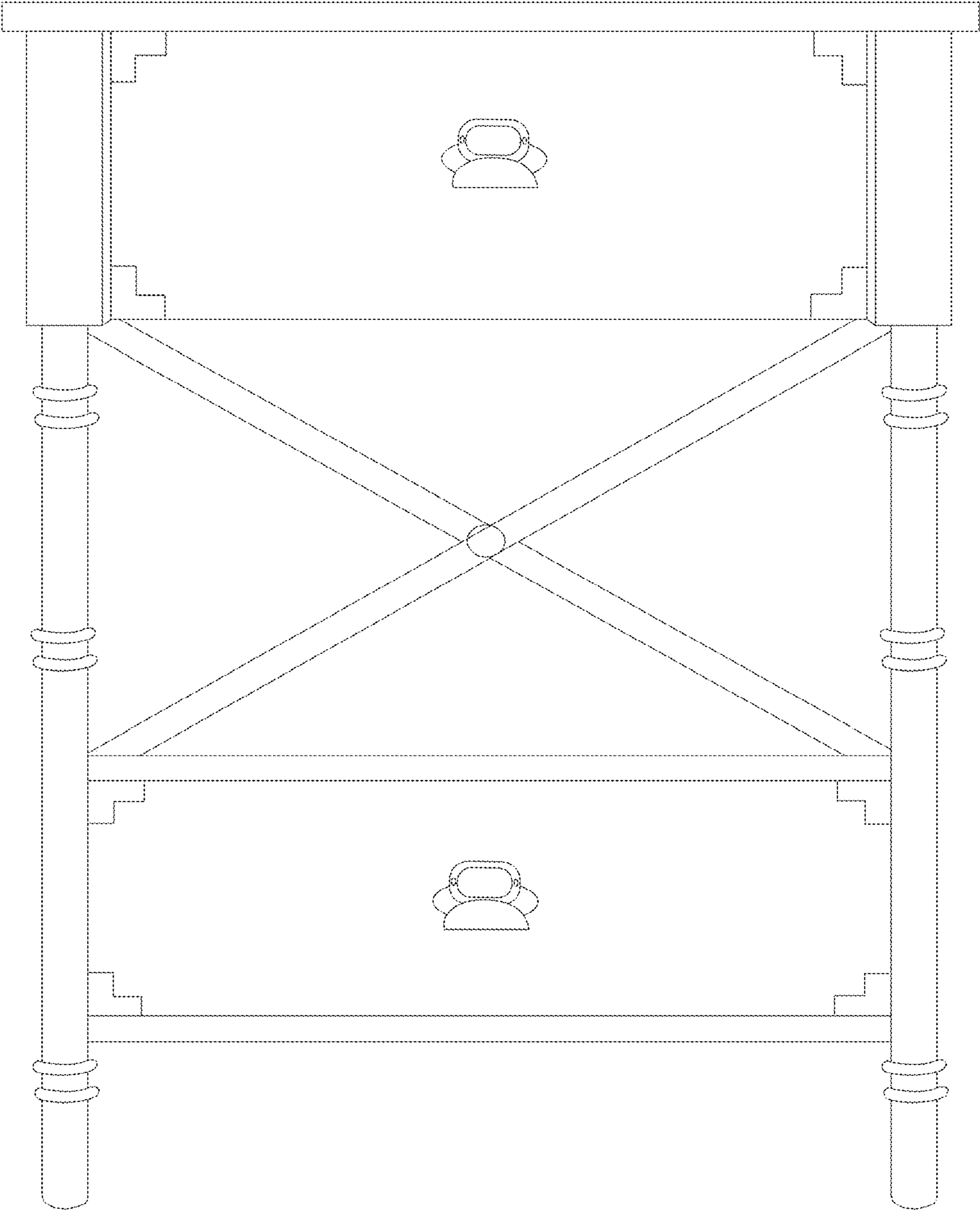


FIG2

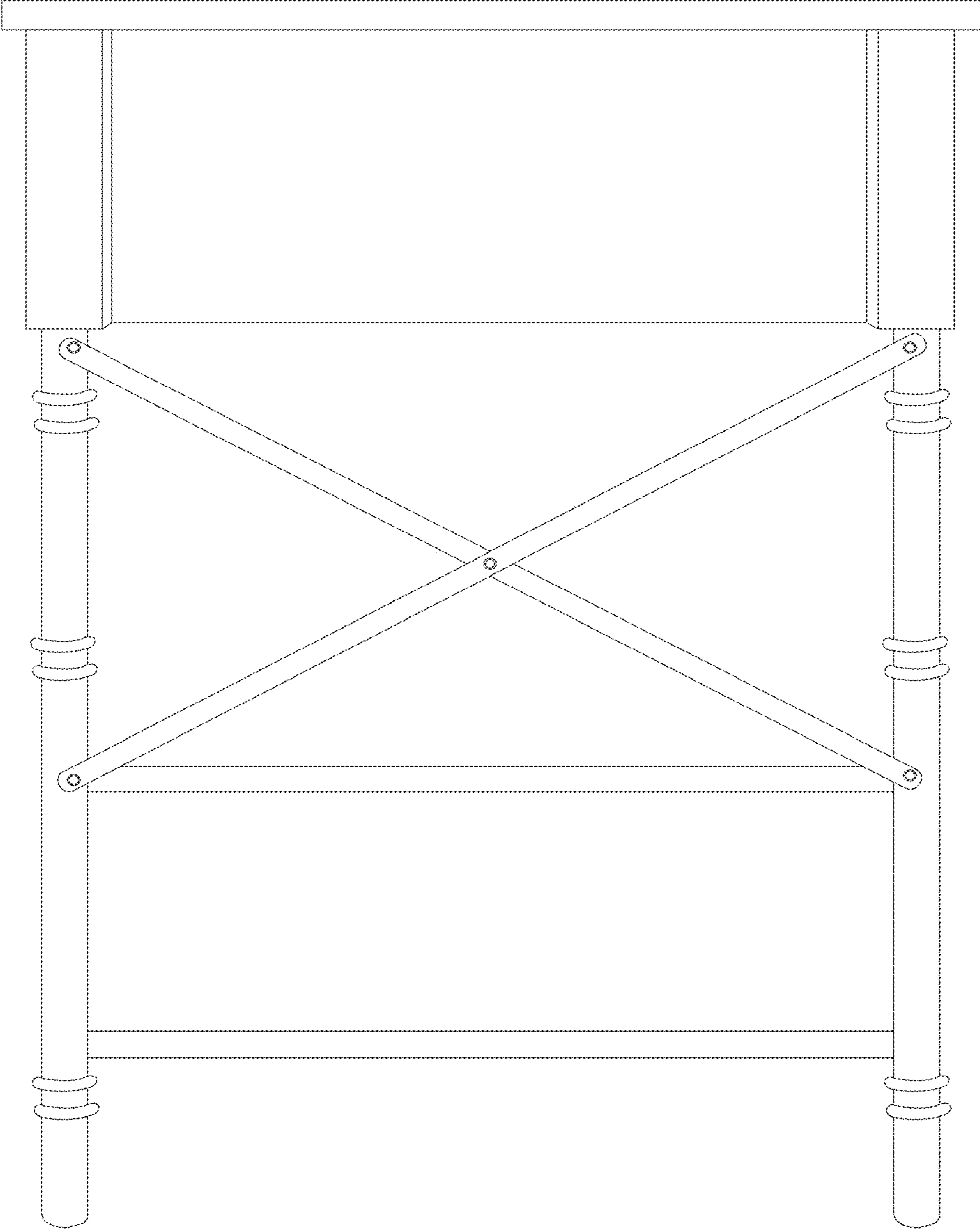


FIG3

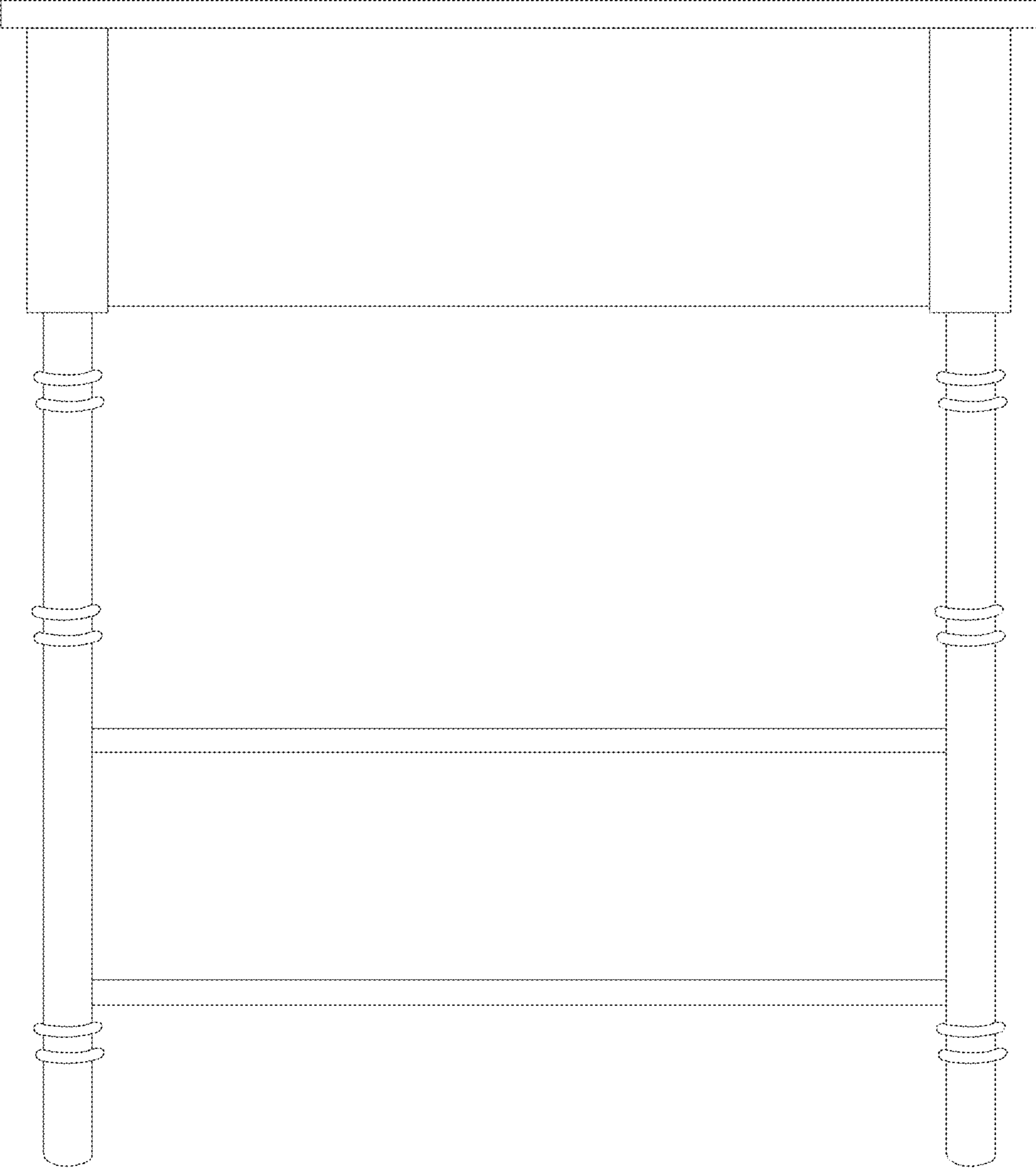


FIG 4

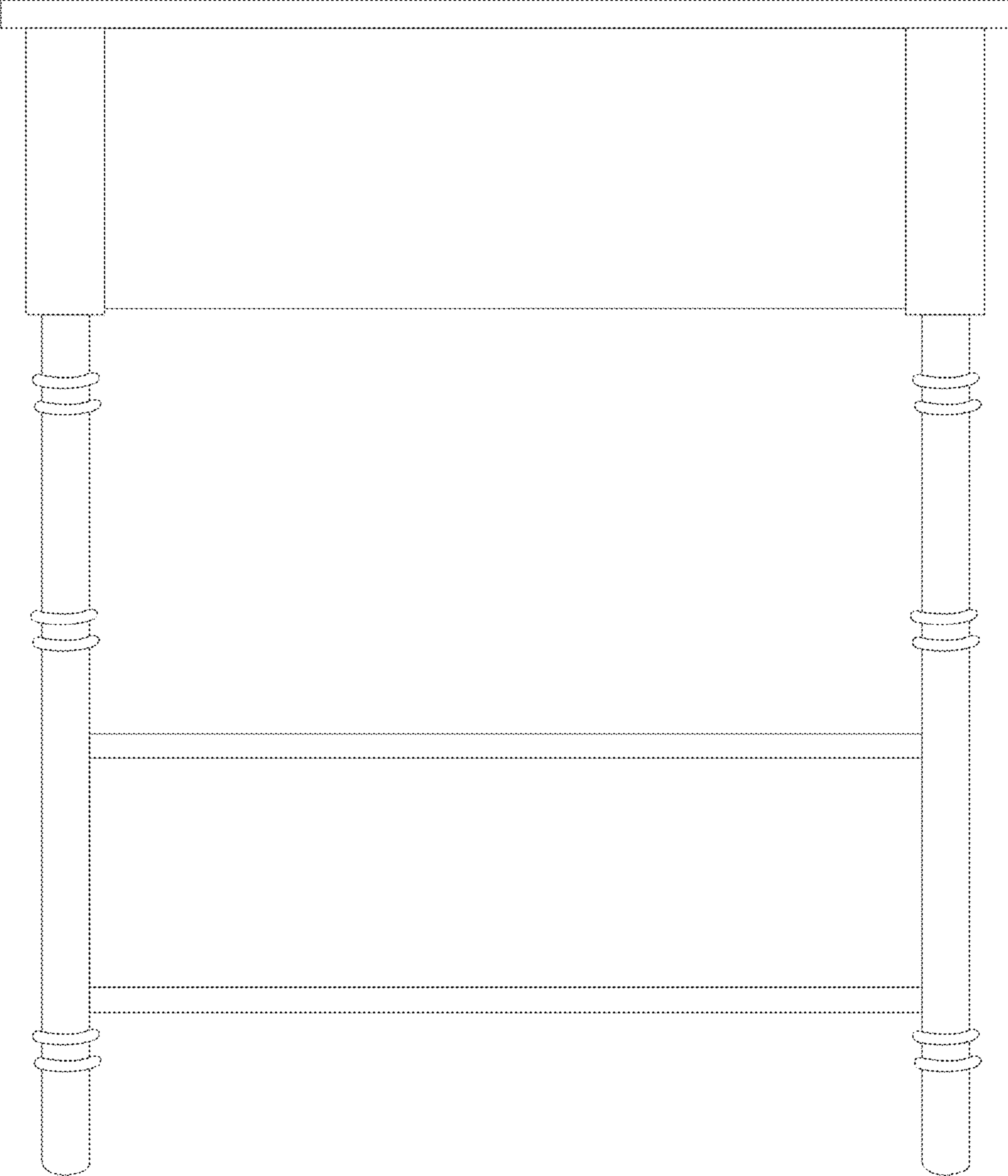


FIG5



FIG6

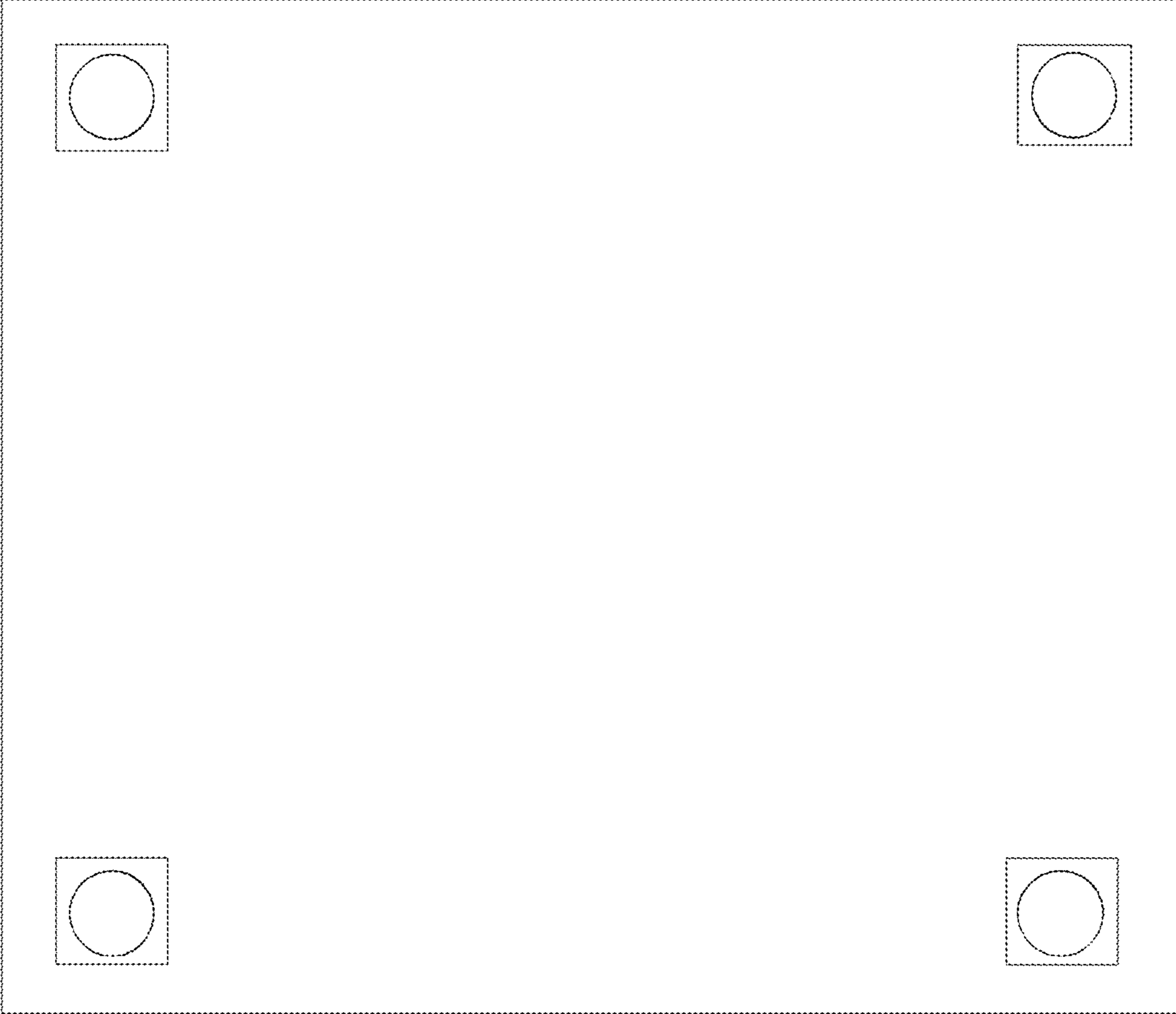


FIG7