



US00D974804S

(12) **United States Design Patent**  
**Freundlich**

(10) **Patent No.:** **US D974,804 S**  
(45) **Date of Patent:** **\*\* Jan. 10, 2023**

(54) **PERSONAL LAB TABLE**

(71) Applicant: **NPS Public Furniture Corp.**, Clifton, NJ (US)

(72) Inventor: **Yehuda Freundlich**, Passaic, NJ (US)

(73) Assignee: **NPS Public Furniture Corp.**, Clifton, NJ (US)

(\*\*) Term: **15 Years**

(21) Appl. No.: **29/751,534**

(22) Filed: **Sep. 22, 2020**

(51) **LOC (14) Cl.** ..... **06-03**

(52) **U.S. Cl.**  
USPC ..... **D6/656**

(58) **Field of Classification Search**

USPC ..... D6/641, 642, 655, 655.17, 655.18, 656, D6/656.1, 656.13, 656.14, 656.17-656.19, D6/684-686, 691, 691.1-691.9

CPC ..... A47B 7/00; A47B 13/00; A47B 13/002; A47B 13/04; A47B 13/06; A47B 13/08; A47B 13/10; A47B 13/12; A47B 13/16; A47B 21/00; A47B 41/00; A47B 2200/0001; A47B 2200/0011; A47B 2200/002

See application file for complete search history.

(56) **References Cited**

**U.S. PATENT DOCUMENTS**

D103,250 S *	2/1937	Parrish	.....	A47B 3/0913
				D6/655
D292,353 S *	10/1987	Chien	.....	A47B 3/0913
				D6/686
5,107,775 A *	4/1992	Langlais	.....	A47B 9/14
				248/188.5
D394,766 S *	6/1998	Brandt	.....	A47B 9/14
				D6/656.13
D425,335 S *	5/2000	Newhouse	.....	A47B 3/0913
				D6/691.8
11,297,939 B2 *	4/2022	Levy	.....	A47B 3/0913

**OTHER PUBLICATIONS**

Personal Science Lab Table—Nextgen Wholesale <https://nextgenfurniture.com/products/personal-science-lab-table-wood-frame-24-x-30-x-36-h-chemical-resistant-top> retrieved from the internet on Sep. 13, 2022.\*

Square Height Adjustable Classroom Table, by the Regency Store—Amazon, first available on Jul. 19, 2016 <https://www.amazon.com/Square-Height-Adjustable-Classroom-Table/dp/B01IP1KBEU/> retrieved from the internet on Sep. 13, 2022.\*

Square Natural Plastic Height Adjustable Activity Table by Flash Furniture Store—Amazon, first available on Feb. 26, 2022 <https://www.amazon.com/Flash-Furniture-Natural-Adjustable-Activity/dp/B0857BQG5C/> retrieved from the internet on Sep. 13, 2022.\*

Height-adjustable ergotherapy table, by Möckel Feinmechanik <https://www.medicaexpo.com/prod/moeckel-feinmechanik/product-78592-717958.html> retrieved from the internet on Sep. 13, 2022.\*

(Continued)

*Primary Examiner* — Mary Ann Calabrese

(74) *Attorney, Agent, or Firm* — Weiss & Arons LLP

(57) **CLAIM**

The ornamental design for a personal lab table, as shown and described.

**DESCRIPTION**

FIG. 1 is a perspective view of a personal lab table showing our new design;

FIG. 2 is a front view thereof;

FIG. 3 is a back view thereof;

FIG. 4 is a side view thereof;

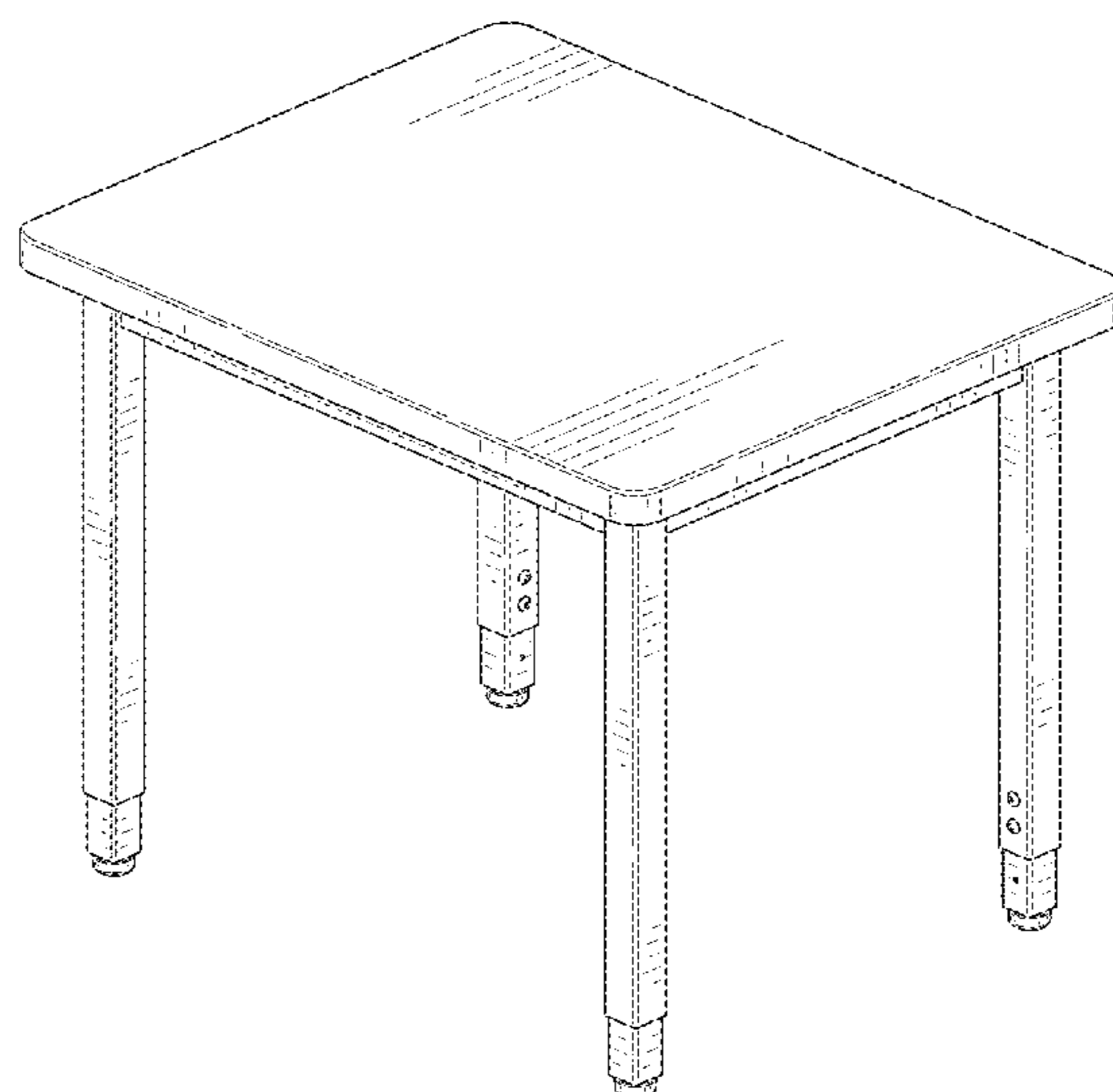
FIG. 5 is an opposite side view thereof;

FIG. 6 is a top view thereof; and,

FIG. 7 is a bottom view thereof.

The broken lines in the drawings illustrate portions of the personal lab table that form no part of the claimed design.

**1 Claim, 7 Drawing Sheets**



(56)

**References Cited**

OTHER PUBLICATIONS

Adjustable-Height Science Lab Table w/ Phenolic Top—School Outfitters [https://www.schooloutfitters.com/catalog/product\\_info/pfam\\_id/PFAM46439/products\\_id/PRO60304](https://www.schooloutfitters.com/catalog/product_info/pfam_id/PFAM46439/products_id/PRO60304) retrieved from the internet on Sep. 13, 2022.\*

\* cited by examiner

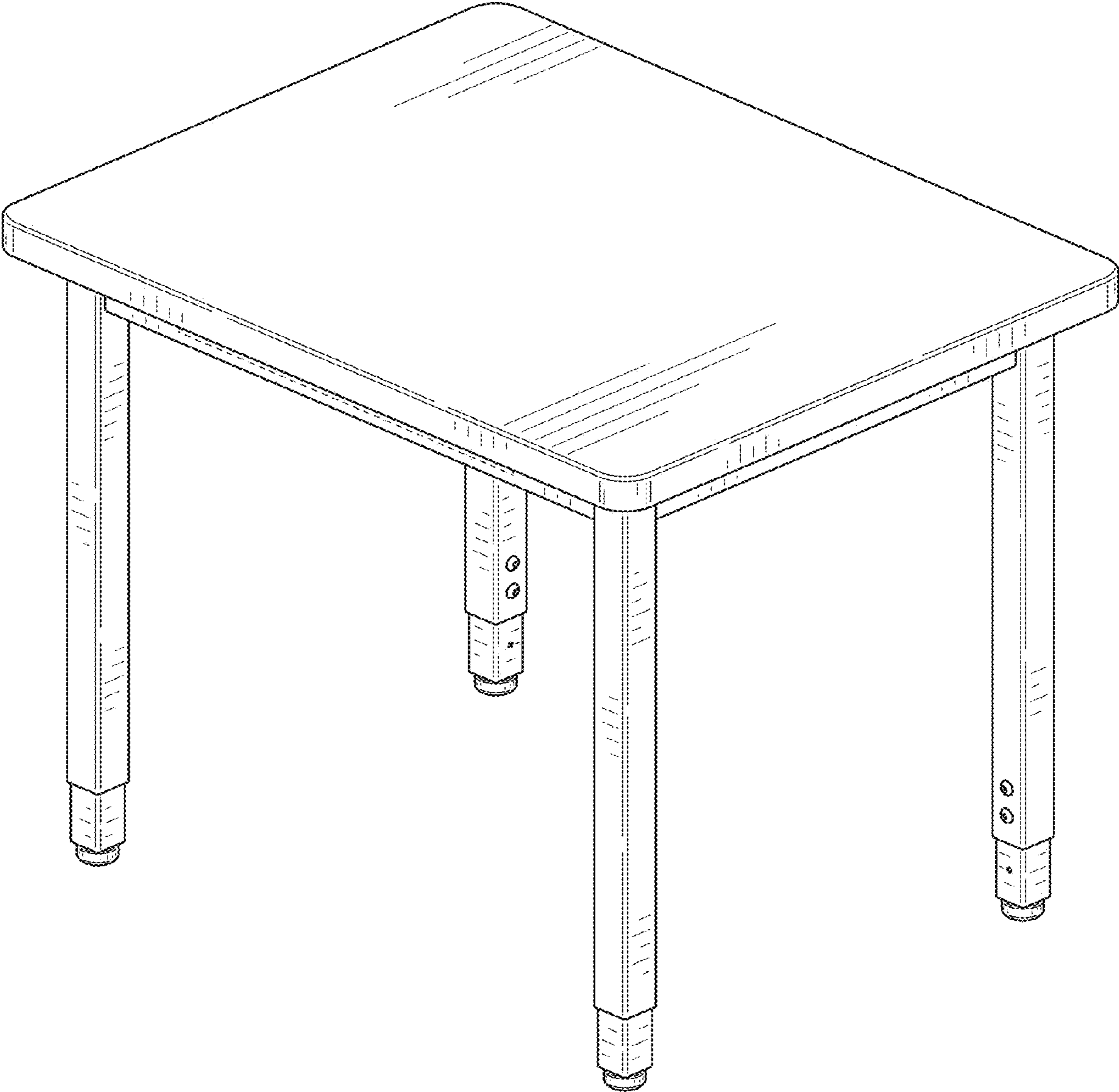


FIG. 1

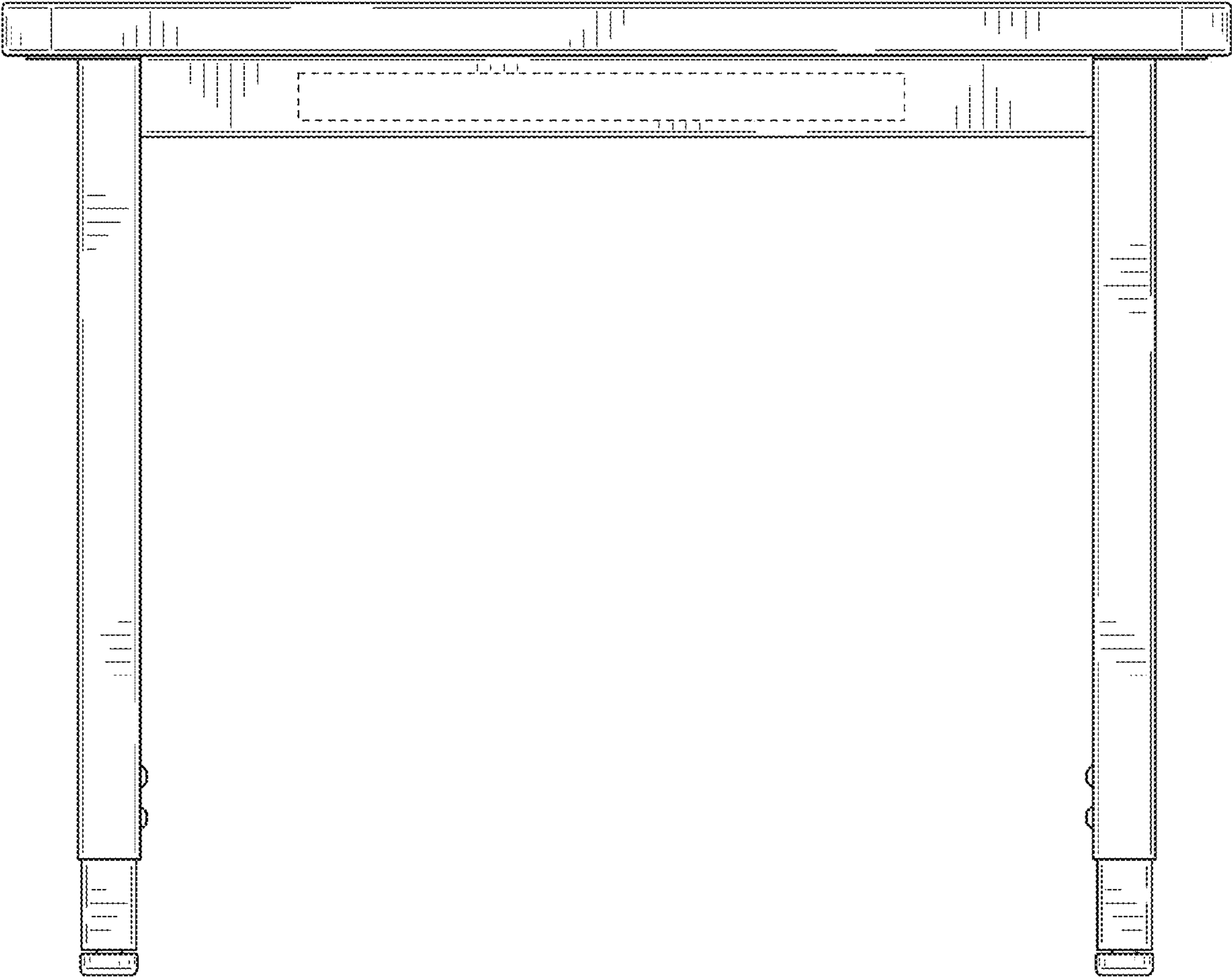


FIG. 2

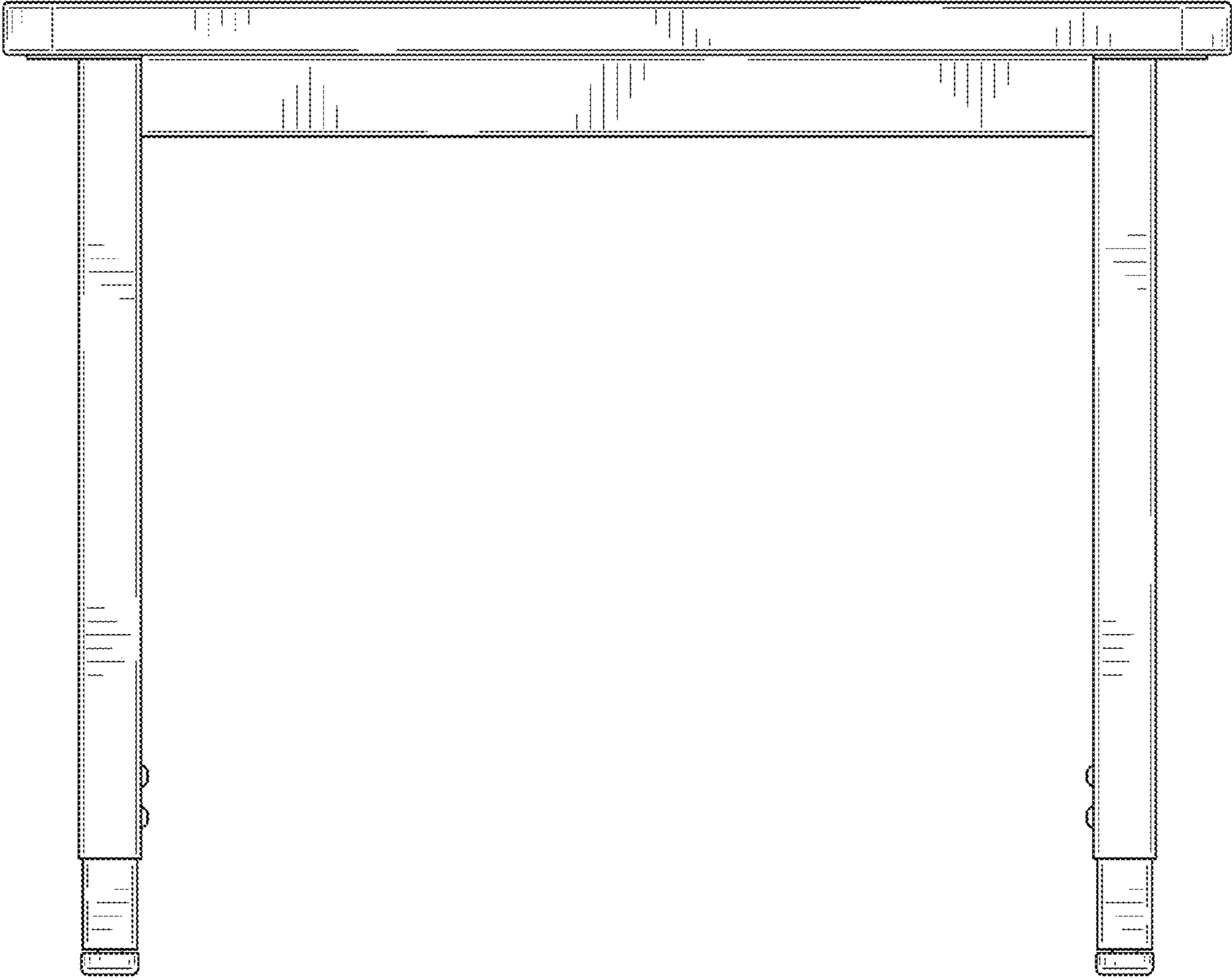


FIG. 3

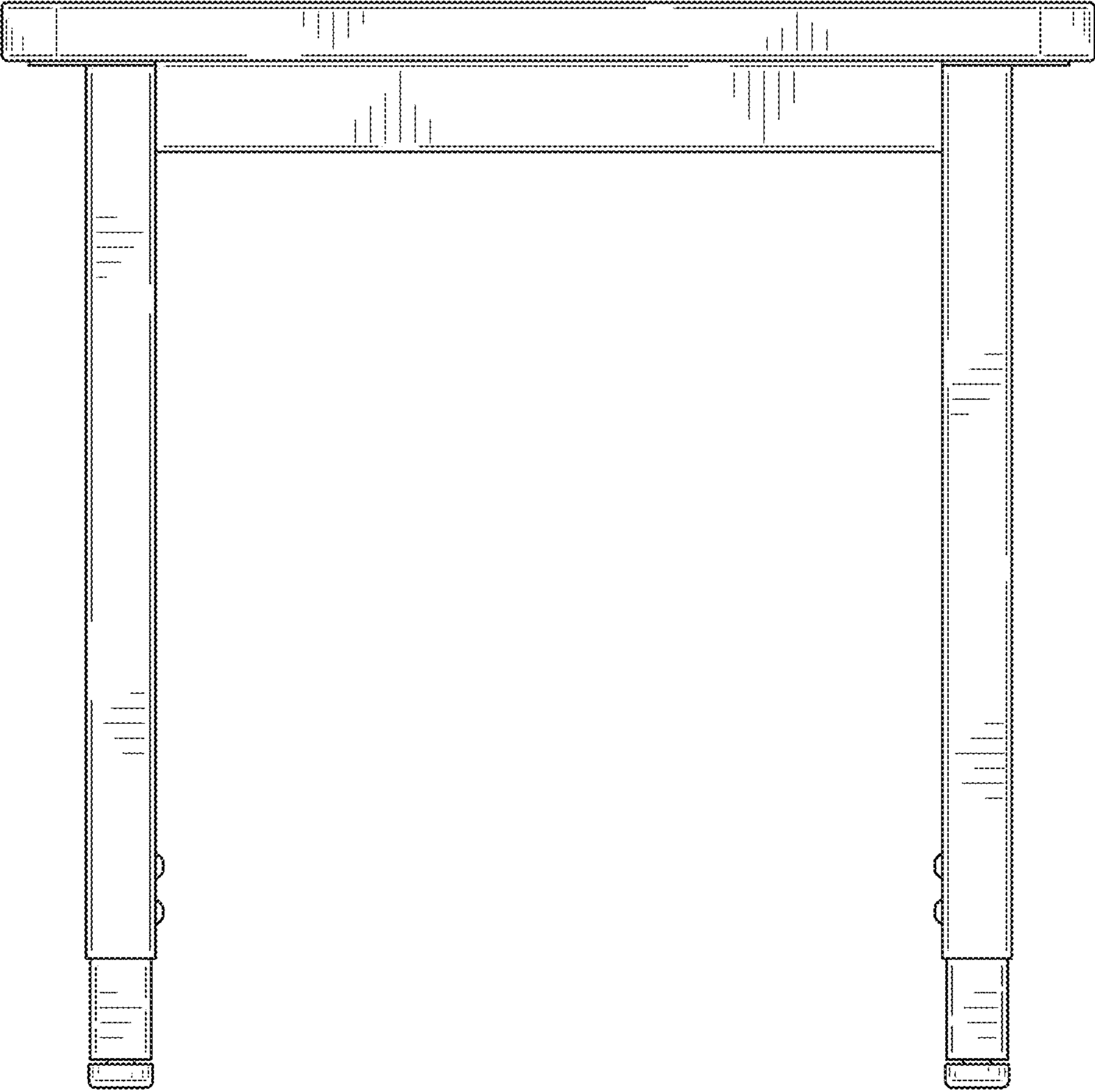


FIG. 4

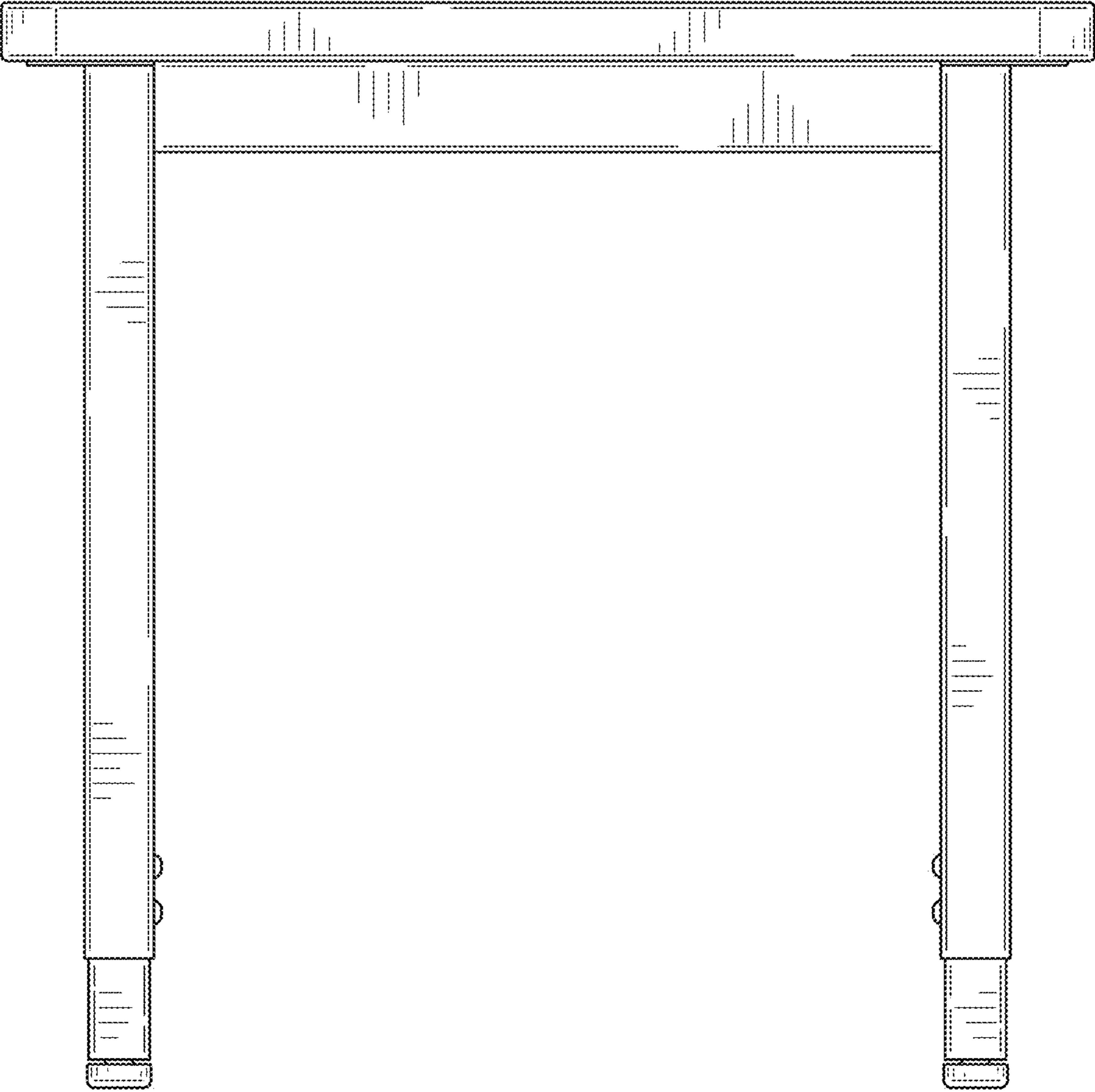


FIG. 5

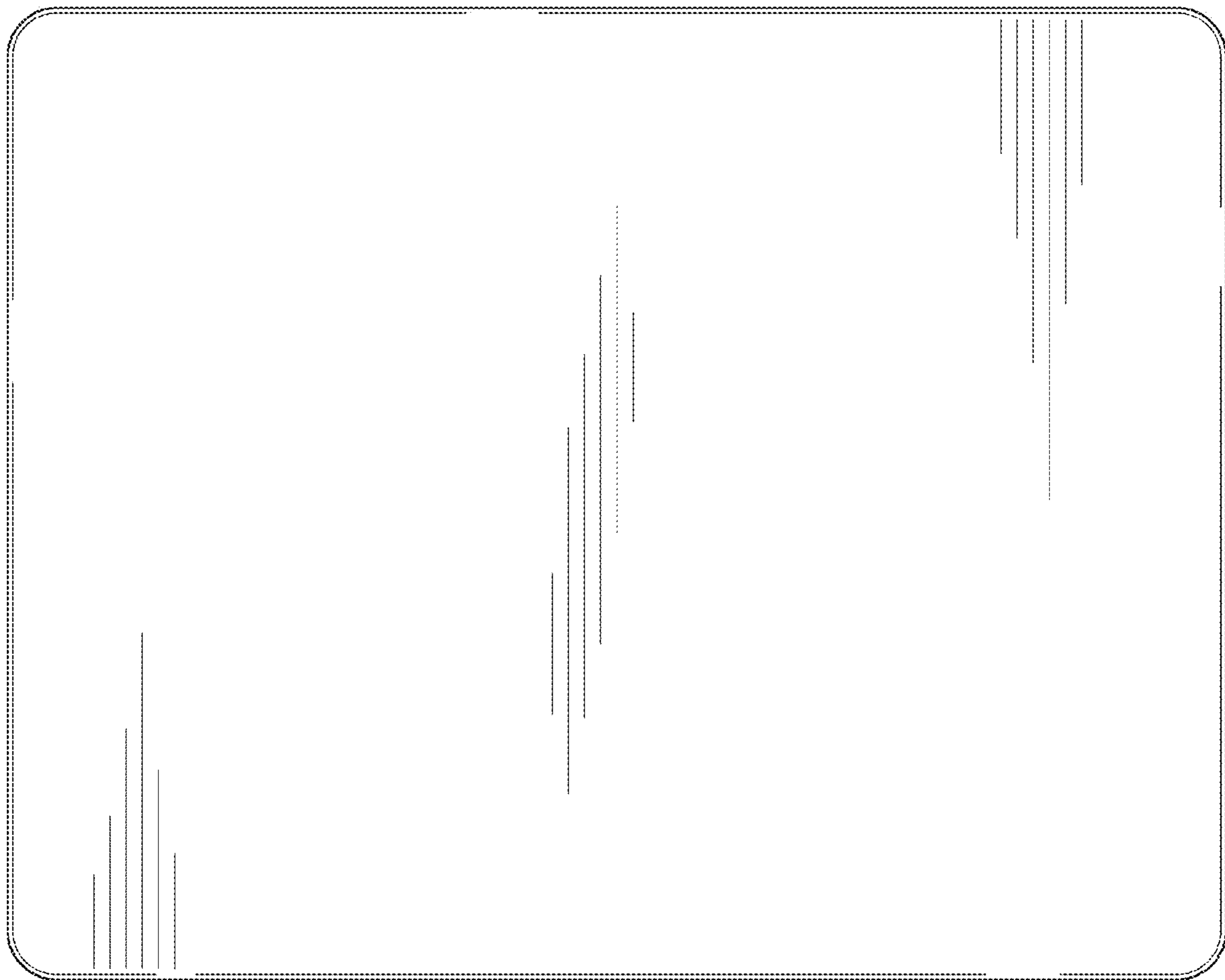


FIG. 6



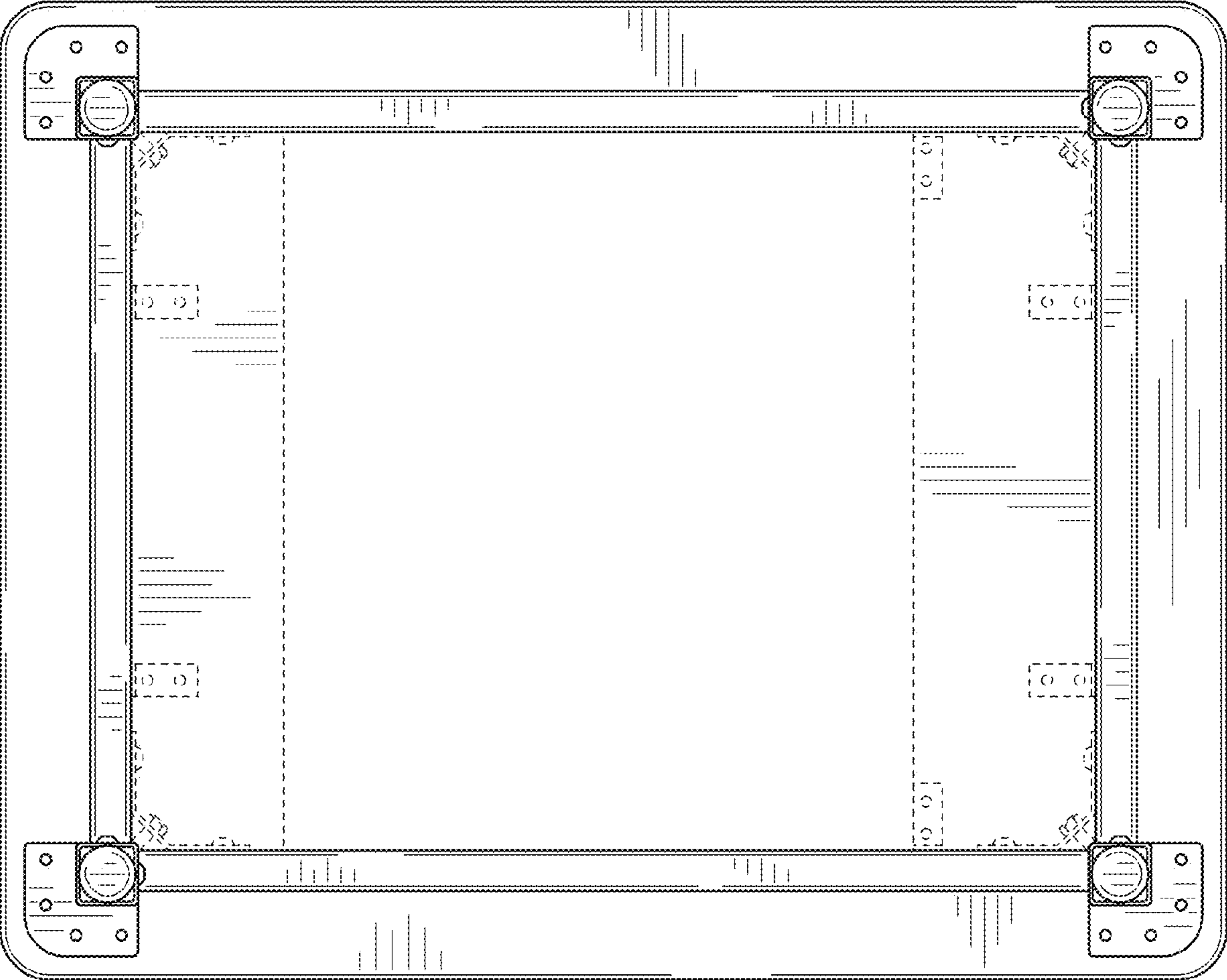


FIG. 7