



US00D974799S

(12) **United States Design Patent**
Harmen et al.

(10) **Patent No.:** **US D974,799 S**
(45) **Date of Patent:** **** Jan. 10, 2023**

(54) **DISPENSER FOR PERSONAL CARE LIQUIDS**

(71) Applicant: **Waste-Not-Basket, Inc.**, Delta (CA)

(72) Inventors: **John Thomas Harmen**, Mississauga (CA); **Ashish Dilipkumar Shah**, Mississauga (CA); **Al Castagna**, Mississauga (CA); **Christina Andree McJannet**, Vancouver (CA); **Susan E. Memory**, Delta (CA)

(73) Assignee: **WASTE-NOT-BASKET, INC.**, Delta (CA)

(**) Term: **15 Years**

(21) Appl. No.: **29/732,070**

(22) Filed: **Apr. 21, 2020**

(30) **Foreign Application Priority Data**

Oct. 21, 2019 (CN) 201930572122.1

(51) **LOC (14) Cl.** **23-02**

(52) **U.S. Cl.**
USPC **D6/545**

(58) **Field of Classification Search**
USPC D6/542-545; 221/208, 282, 283; 222/105, 173, 180, 181.1, 181.2, 181.3
CPC A47K 5/12; A47K 5/00; A47K 5/1208
See application file for complete search history.

(56) **References Cited**

U.S. PATENT DOCUMENTS

D266,460 S * 10/1982 Rice D6/545
4,470,523 A * 9/1984 Spector A47K 5/122
156/314
D279,063 S * 6/1985 Haskell, III D6/545
D302,916 S * 8/1989 Williamson D6/545
D302,917 S * 8/1989 Banks D6/545

D332,368 S * 1/1993 Hines D6/545
D332,369 S * 1/1993 Hanna D6/545
D336,195 S * 6/1993 Shimizu D6/544
D341,742 S * 11/1993 Ornatowski D6/544
D395,775 S * 7/1998 Lin D6/545
6,595,475 B2 * 7/2003 Svabek A47B 73/002
211/195
D662,744 S 7/2012 Memory et al.
D705,571 S * 5/2014 Middendorp D6/545
2010/0213207 A1 * 8/2010 Lewis A47K 10/32
222/1

* cited by examiner

Primary Examiner — Nathan M Johnston

(74) *Attorney, Agent, or Firm* — Sean Mellino

(57) **CLAIM**

The ornamental design for a dispenser for personal care liquids, as shown and described.

DESCRIPTION

FIG. 1 is an upper side perspective view of a dispenser for personal care liquids in accordance with the inventive design;

FIG. 2 is a lower side perspective view of the dispenser for personal care liquids of FIG. 1;

FIG. 3 is a front elevational view of the dispenser for personal care liquids of FIG. 1;

FIG. 4 is a back elevational view of the dispenser for personal care liquids of FIG. 1;

FIG. 5 is a left side elevational view of the dispenser for personal care liquids of FIG. 1;

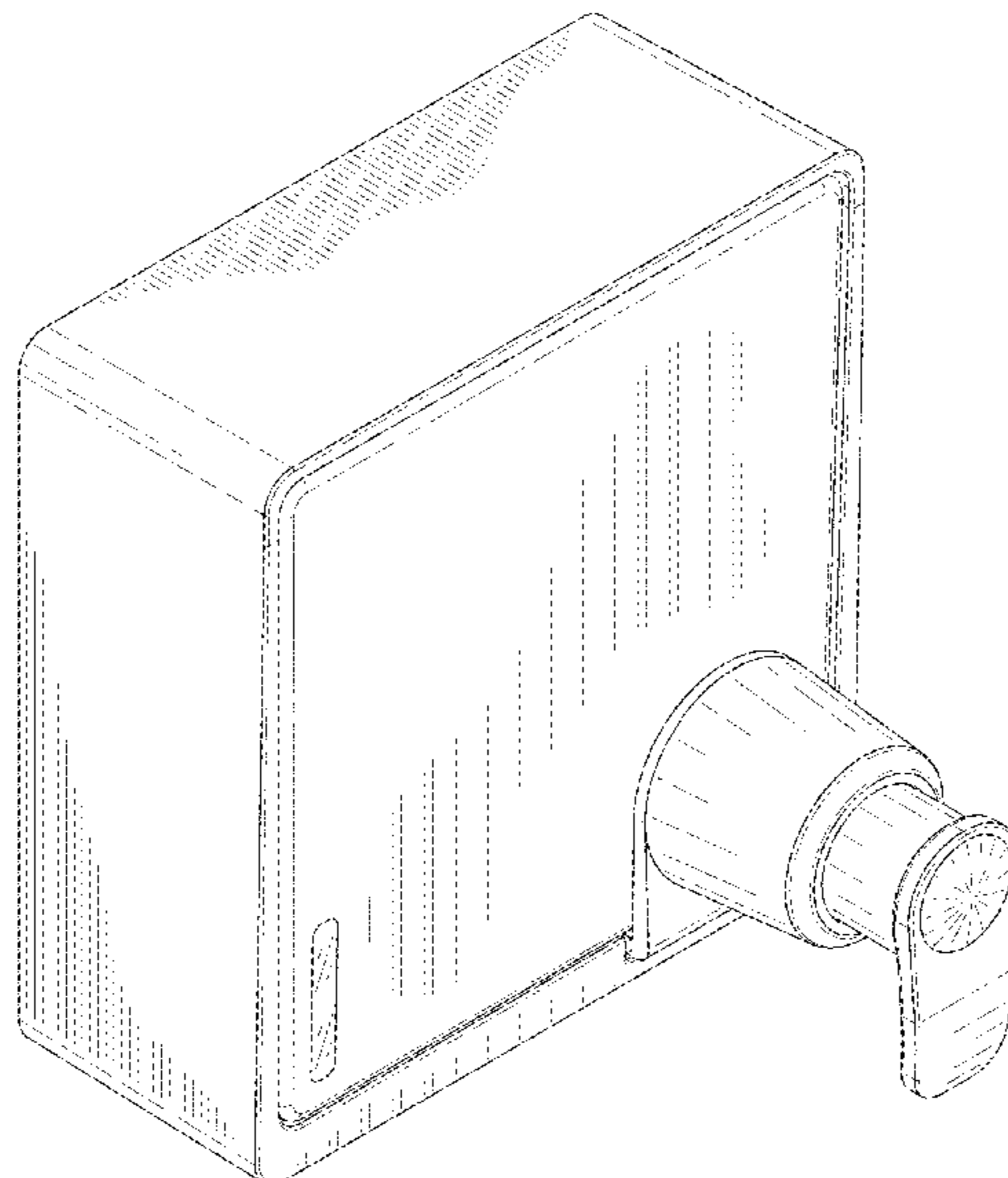
FIG. 6 is a right side elevational view of the dispenser for personal care liquids of FIG. 1;

FIG. 7 is a top plan view of the dispenser for personal care liquids of FIG. 1; and,

FIG. 8 is a bottom plan view of the dispenser for personal care liquids of FIG. 1.

The broken lines show portions of the dispenser for personal care liquids that form no part of the claimed design.

1 Claim, 8 Drawing Sheets



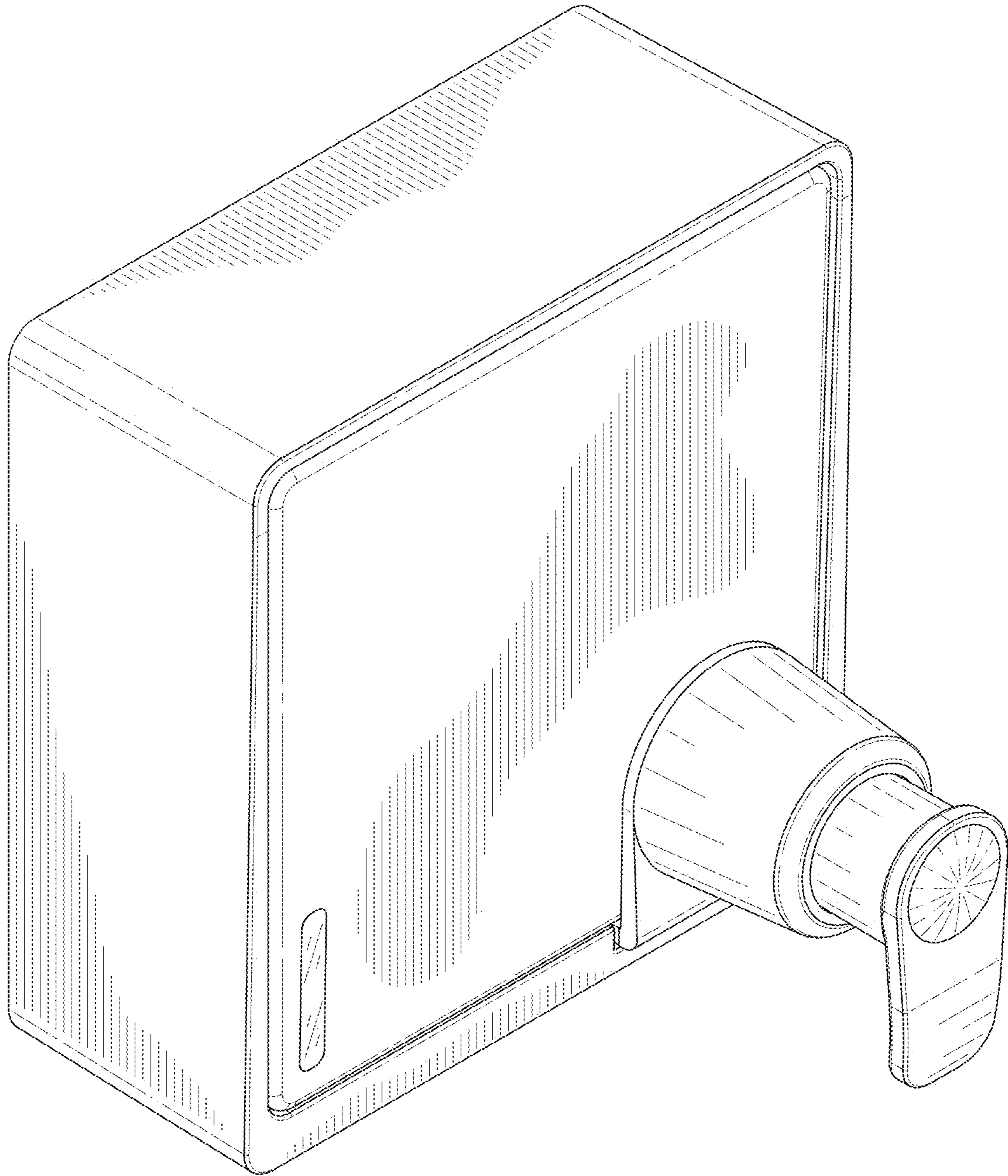


FIG. 1

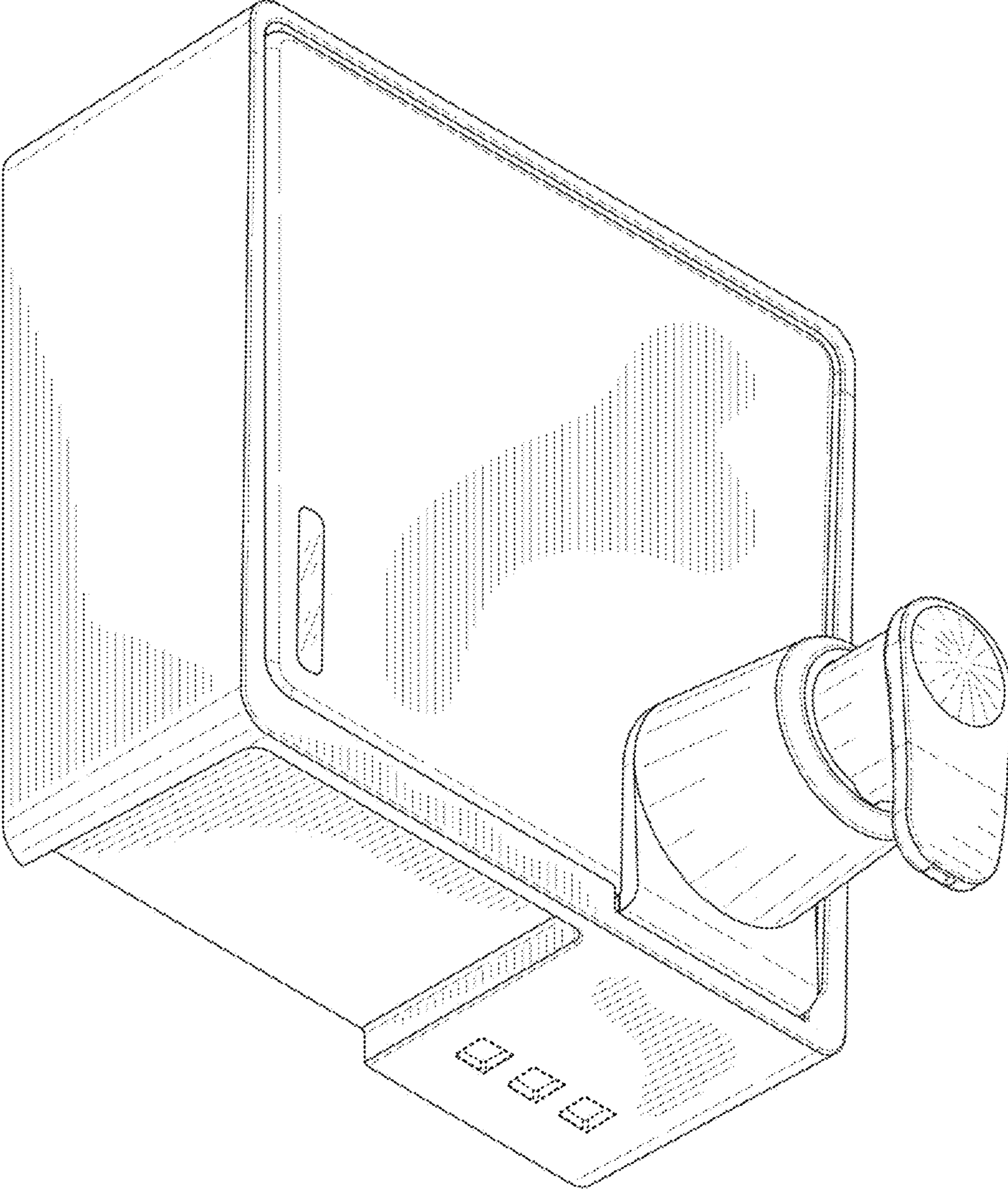


FIG. 2

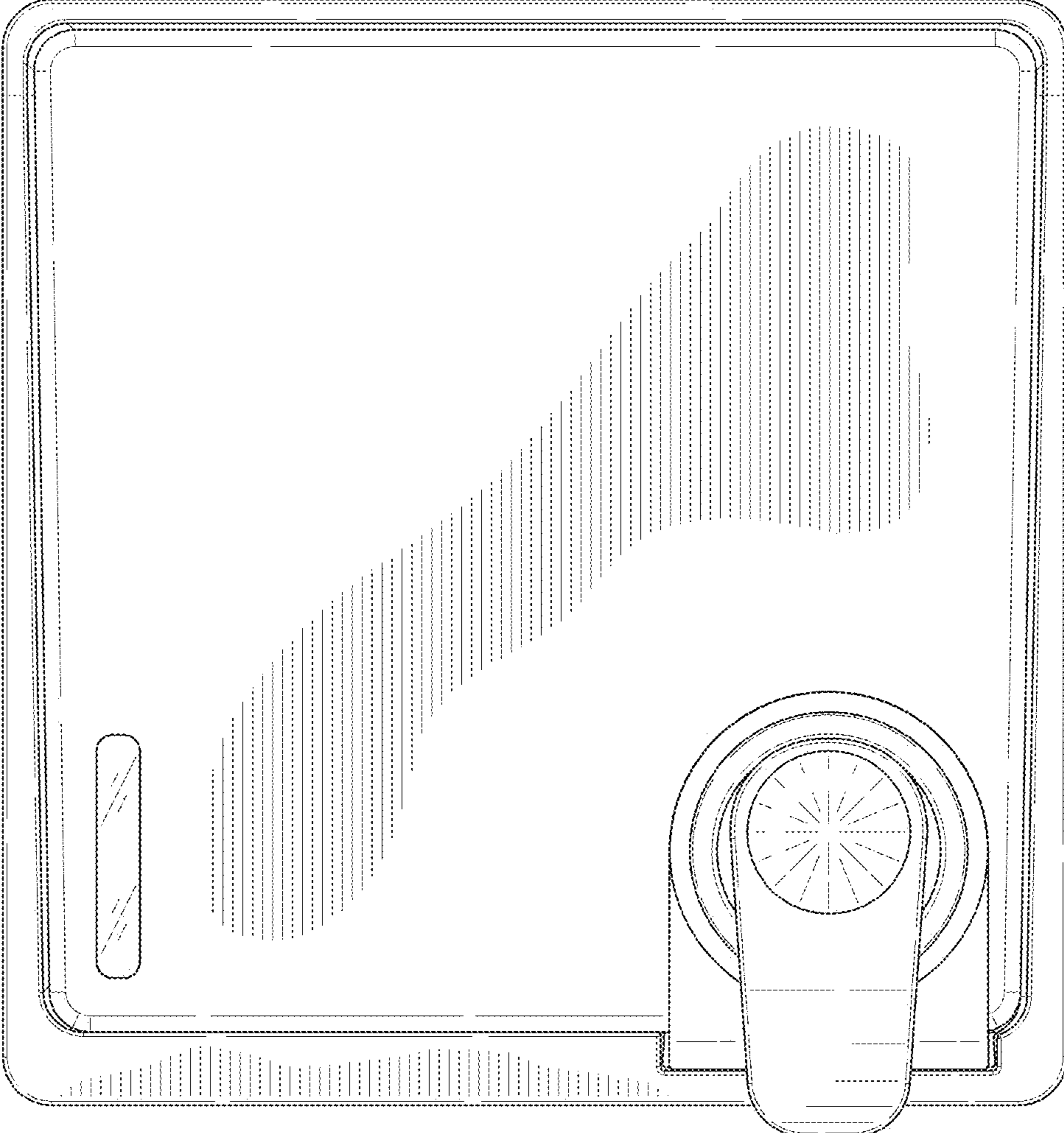


FIG. 3

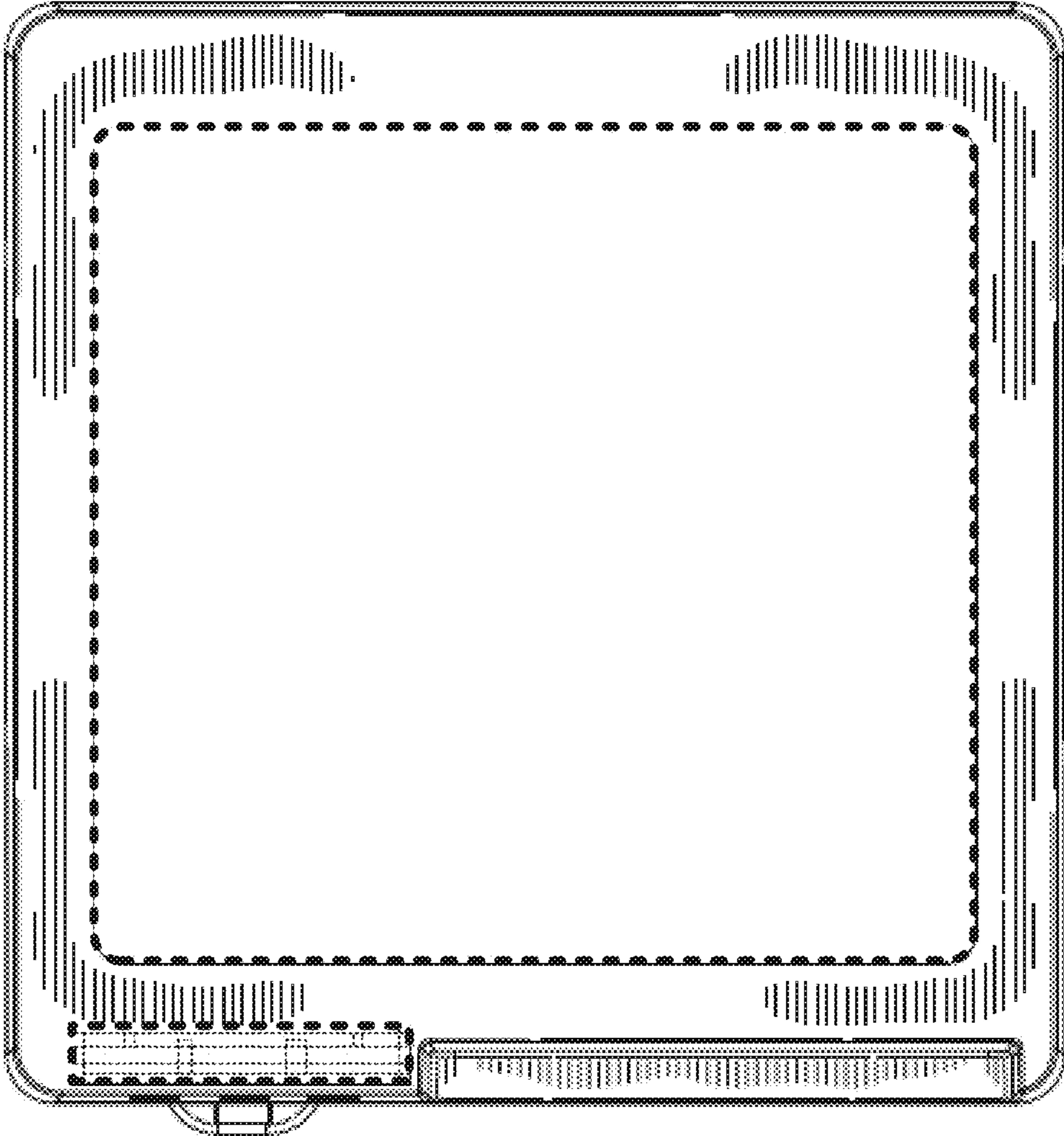


FIG. 4

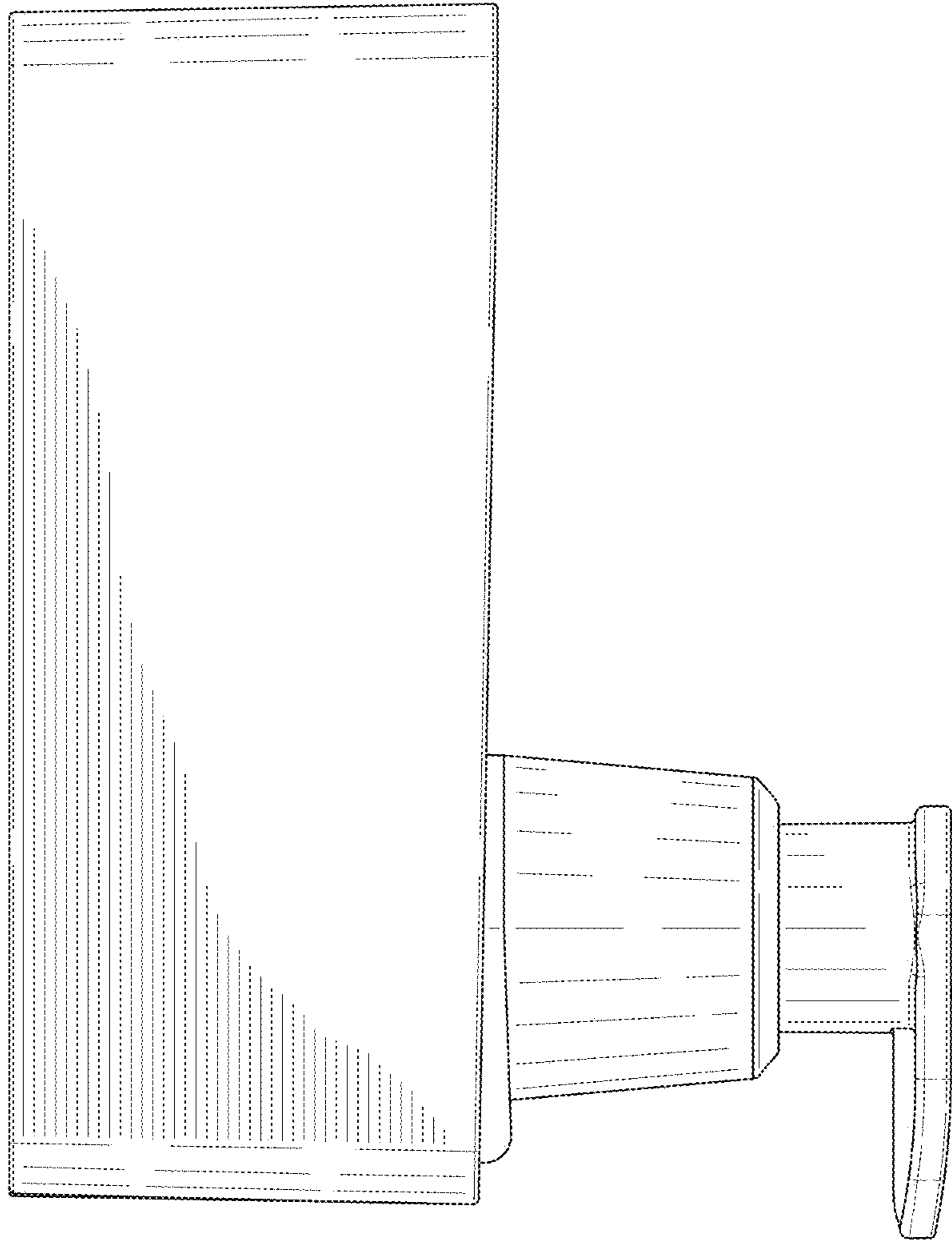


FIG. 5

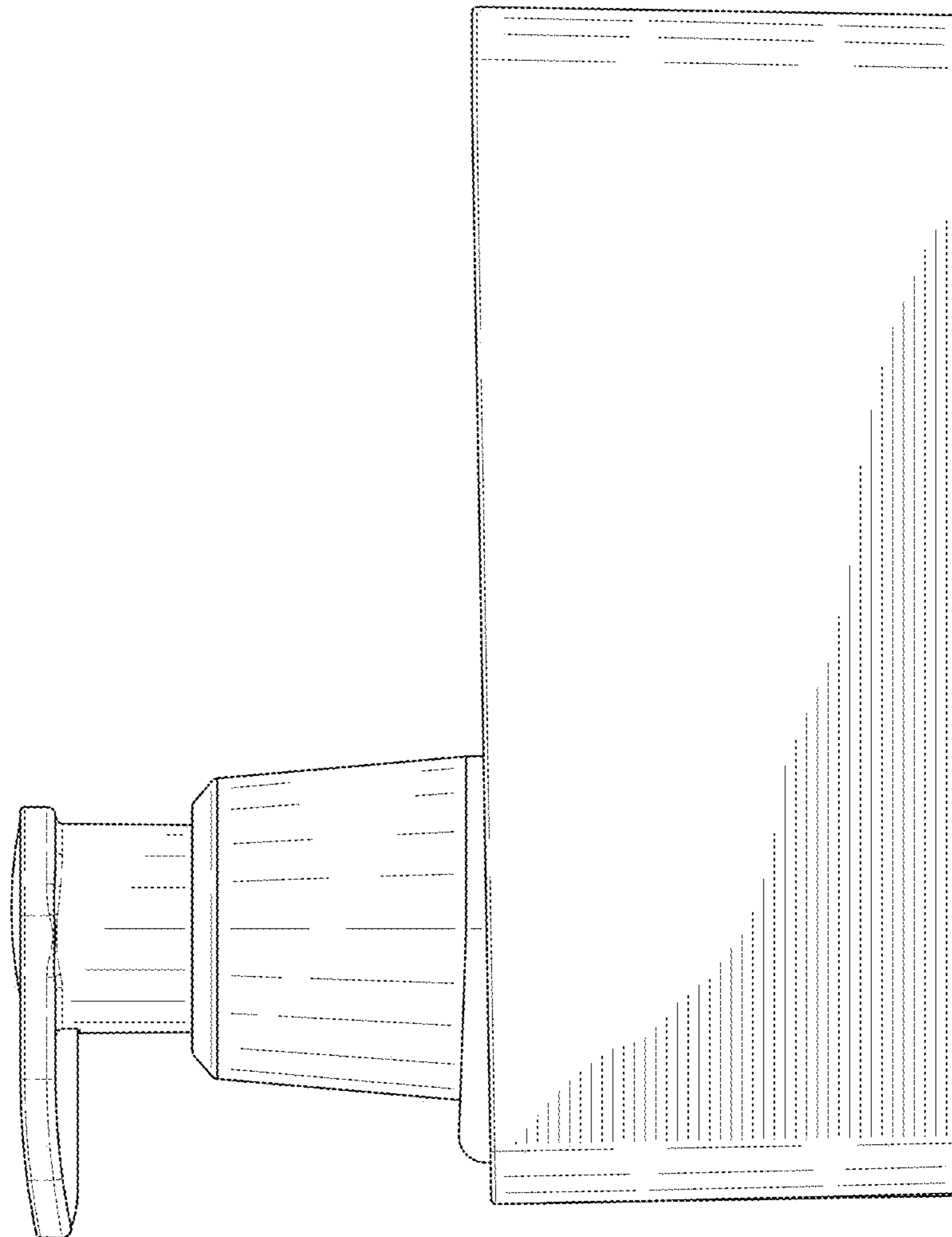


FIG. 6

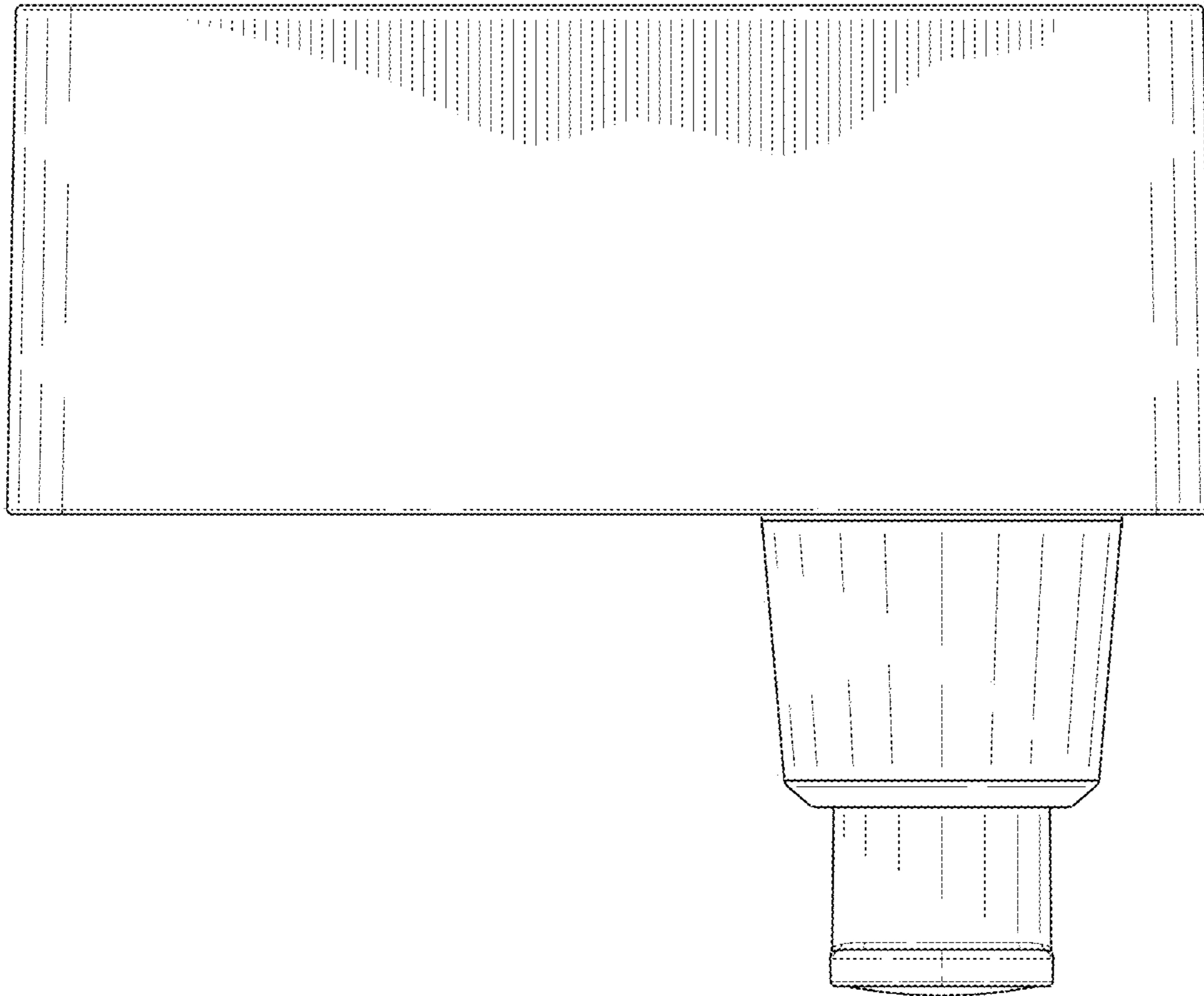


FIG. 7

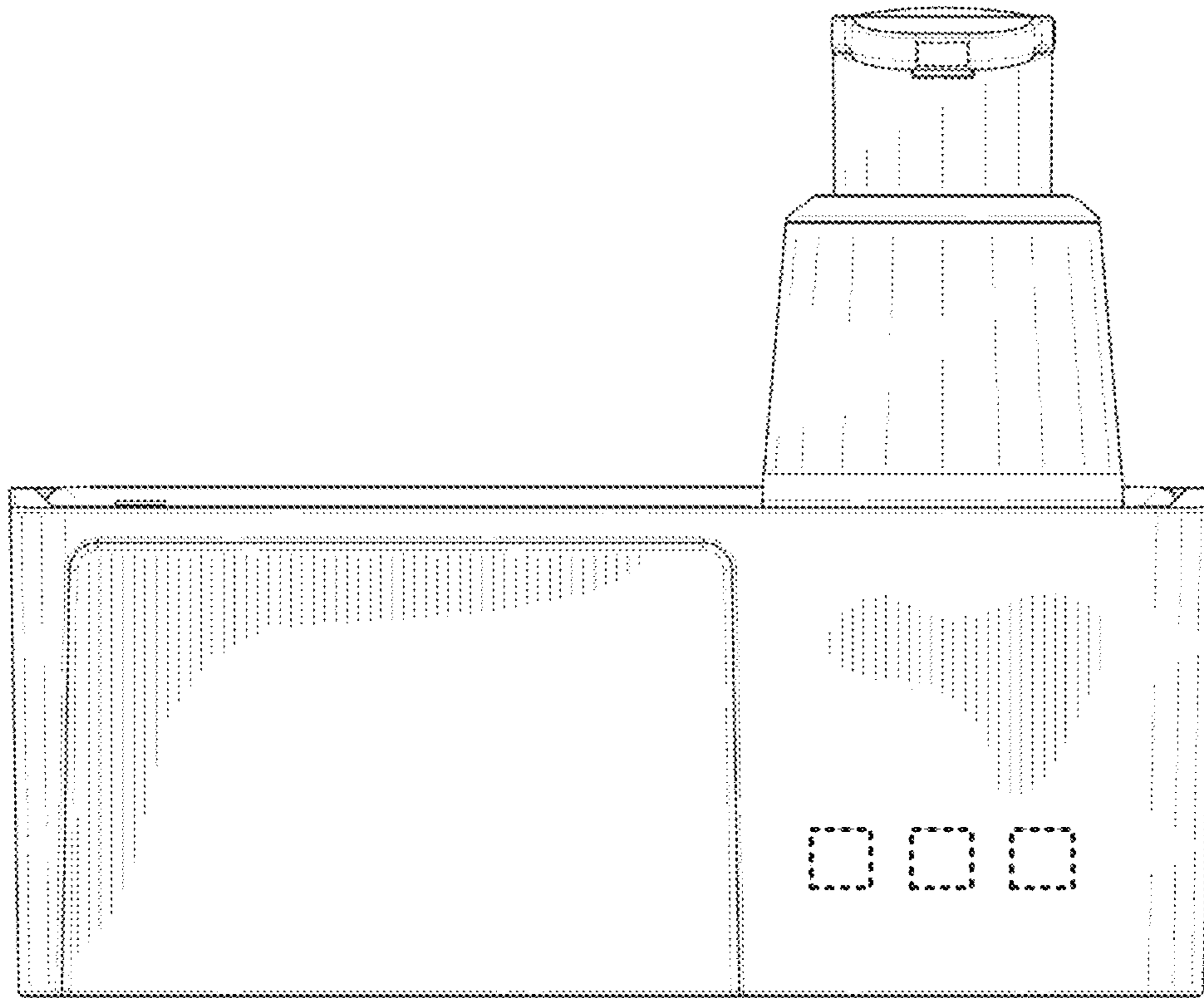


FIG. 8