



US00D974798S

(12) **United States Design Patent**
Harmen et al.

(10) **Patent No.:** **US D974,798 S**
(45) **Date of Patent:** **** Jan. 10, 2023**

(54) **DISPENSER FOR PERSONAL CARE LIQUIDS**

DESCRIPTION

- (71) Applicant: **Waste-Not-Basket, Inc.**, Delta (CA)
- (72) Inventors: **John Thomas Harmen**, Mississauga (CA); **Ashish Dilipkumar Shah**, Mississauga (CA); **Al Castagna**, Mississauga (CA); **Christina Andree McJannet**, Vancouver (CA); **Susan E. Memory**, Delta (CA)
- (73) Assignee: **WASTE-NOT-BASKET, INC.**, Delta (CA)

- (**) Term: **15 Years**
- (21) Appl. No.: **29/731,713**
- (22) Filed: **Apr. 17, 2020**

(30) **Foreign Application Priority Data**

- Oct. 17, 2019 (CA) CA 190697
- (51) **LOC (14) Cl.** **23-02**
- (52) **U.S. Cl.**
USPC **D6/545**
- (58) **Field of Classification Search**
USPC D6/542-545; 221/208, 282, 283;
222/105, 173, 180, 181.1, 181.2, 181.3
(Continued)

(56) **References Cited**

U.S. PATENT DOCUMENTS

- D266,460 S * 10/1982 Rice D6/545
- 4,470,523 A * 9/1984 Spector A47K 5/122
156/314

(Continued)

Primary Examiner — Nathan M Johnston
(74) *Attorney, Agent, or Firm* — Sean Mellino

(57) **CLAIM**

The ornamental design for a dispenser for personal care liquids, as shown and described.

FIG. 1 is an upper side perspective view of a first embodiment of the dispenser for personal care liquids in accordance with the inventive design;

FIG. 2 is a lower side perspective view of the dispenser for personal care liquids of FIG. 1;

FIG. 3 is a front elevational view of the dispenser for personal care liquids of FIG. 1;

FIG. 4 is a back elevational view of the dispenser for personal care liquids of FIG. 1;

FIG. 5 is a left side elevational view of the dispenser for personal care liquids of FIG. 1;

FIG. 6 is a right side elevational view of the dispenser for personal care liquids of FIG. 1;

FIG. 7 is a top plan view of the dispenser for personal care liquids of FIG. 1;

FIG. 8 is a bottom plan view of the dispenser for personal care liquids of FIG. 1;

FIG. 9 is an upper side perspective view of a second embodiment of the dispenser for personal care liquids in accordance with the inventive design;

FIG. 10 is a lower side perspective view of the dispenser for personal care liquids of FIG. 9;

FIG. 11 is a front elevational view of the dispenser for personal care liquids of FIG. 9;

FIG. 12 is a back elevational view of the dispenser for personal care liquids of FIG. 9;

FIG. 13 is a left side elevational view of the dispenser for personal care liquids of FIG. 9;

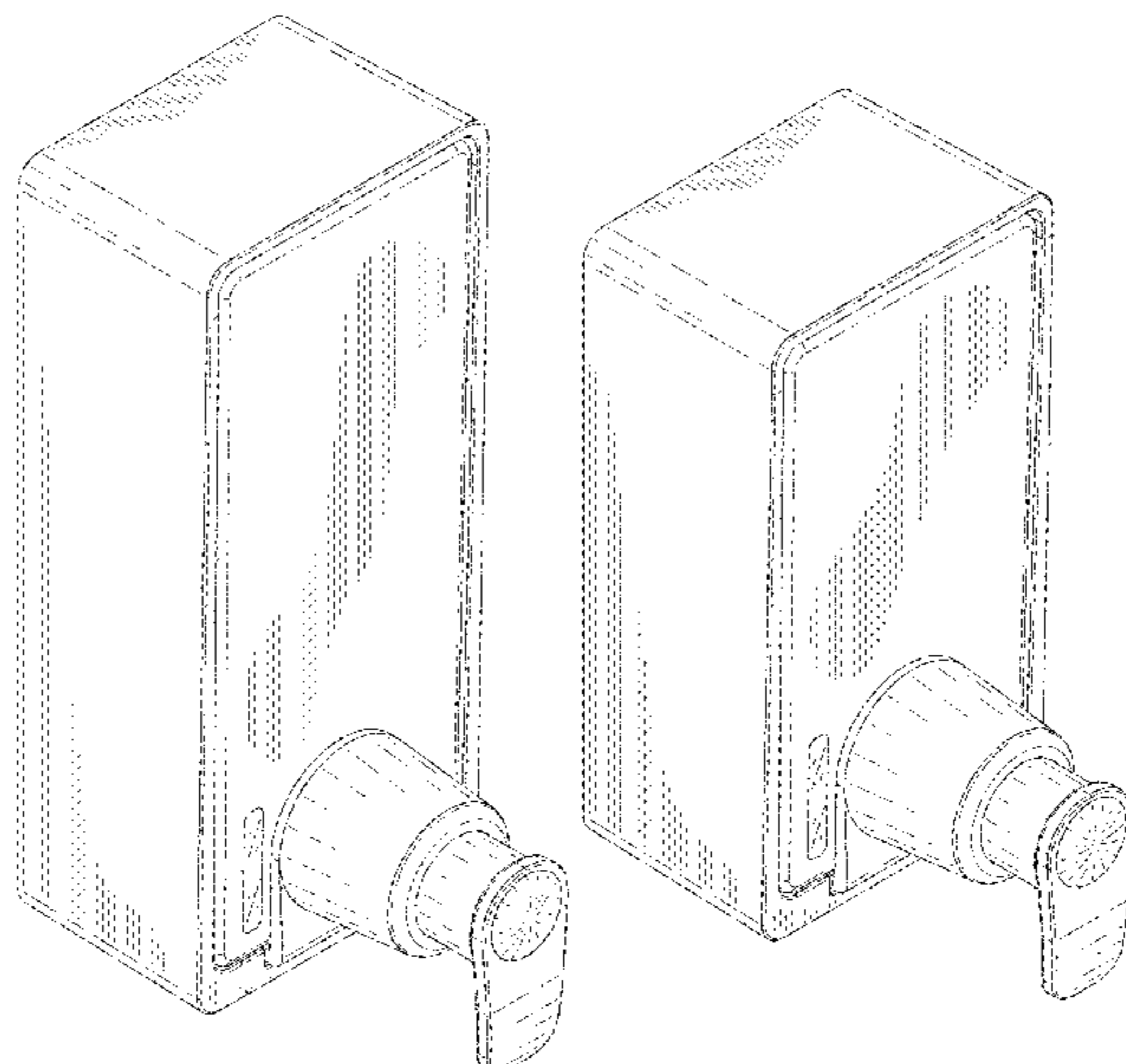
FIG. 14 is a right side elevational view of the dispenser for personal care liquids of FIG. 9;

FIG. 15 is a top plan view of the dispenser for personal care liquids of FIG. 9; and,

FIG. 16 is a bottom plan view of the dispenser for personal care liquids of FIG. 9.

The broken lines show portions of the dispenser for personal care liquids that form no part of the claimed design.

1 Claim, 16 Drawing Sheets



(58) **Field of Classification Search**

CPC A47K 5/12; A47K 5/00; A47K 5/1208

See application file for complete search history.

(56) **References Cited**

U.S. PATENT DOCUMENTS

D279,063	S *	6/1985	Haskell, III	D6/545
D302,916	S *	8/1989	Williamson	D6/545
D302,917	S *	8/1989	Banks	D6/545
D332,368	S *	1/1993	Hines	D6/545
D332,369	S *	1/1993	Hanna	D6/545
D336,195	S *	6/1993	Shimizu	D6/544
D341,742	S *	11/1993	Ornatowski	D6/544
D395,775	S *	7/1998	Lin	D6/545
6,595,475	B2 *	7/2003	Svabek	A47B 73/002 211/195
D662,744	S	7/2012	Memory et al.		
D705,571	S *	5/2014	Middendorp	D6/545
2010/0213207	A1 *	8/2010	Lewis	A47K 10/32 222/1

* cited by examiner

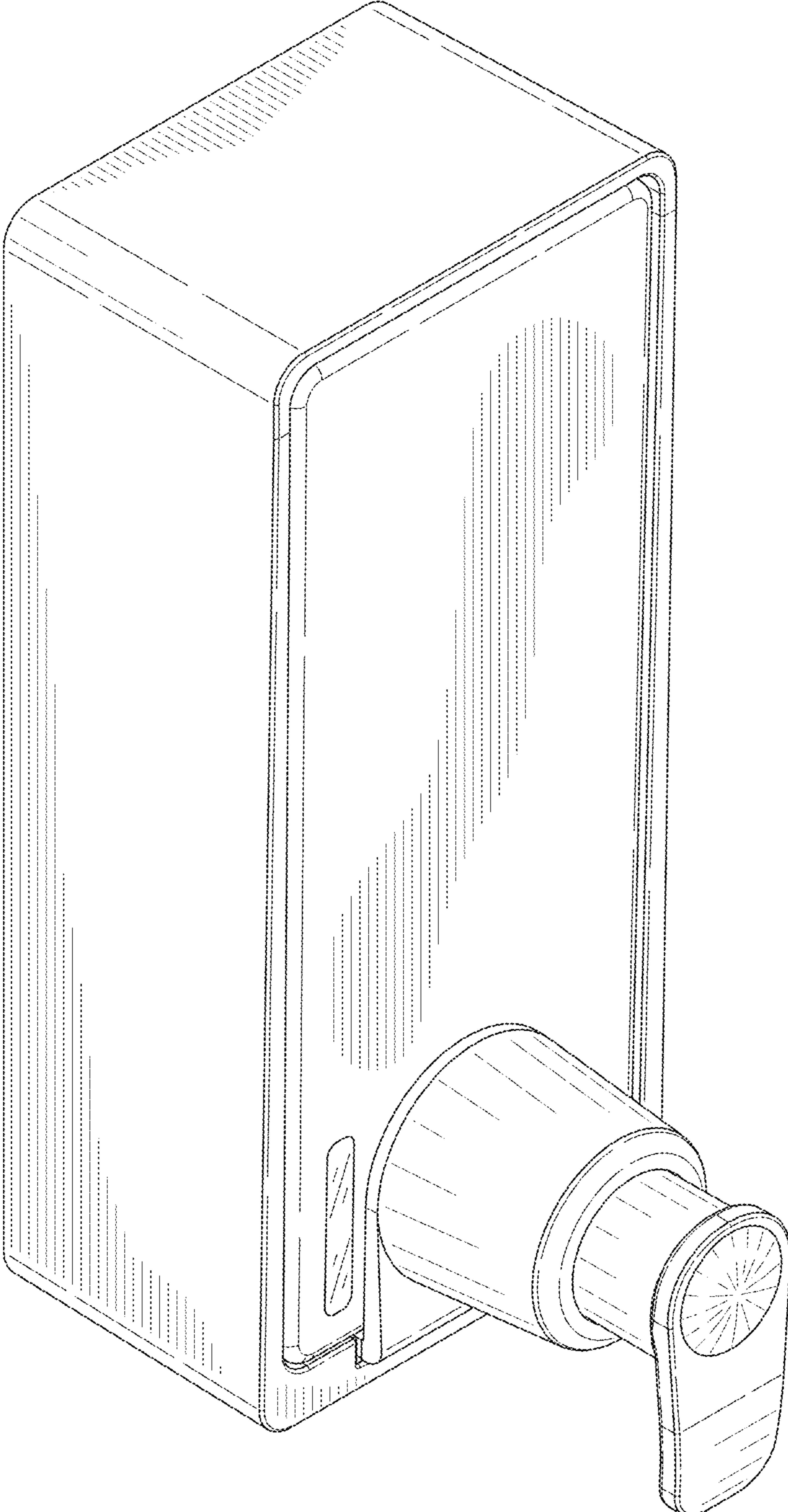


FIG. 1

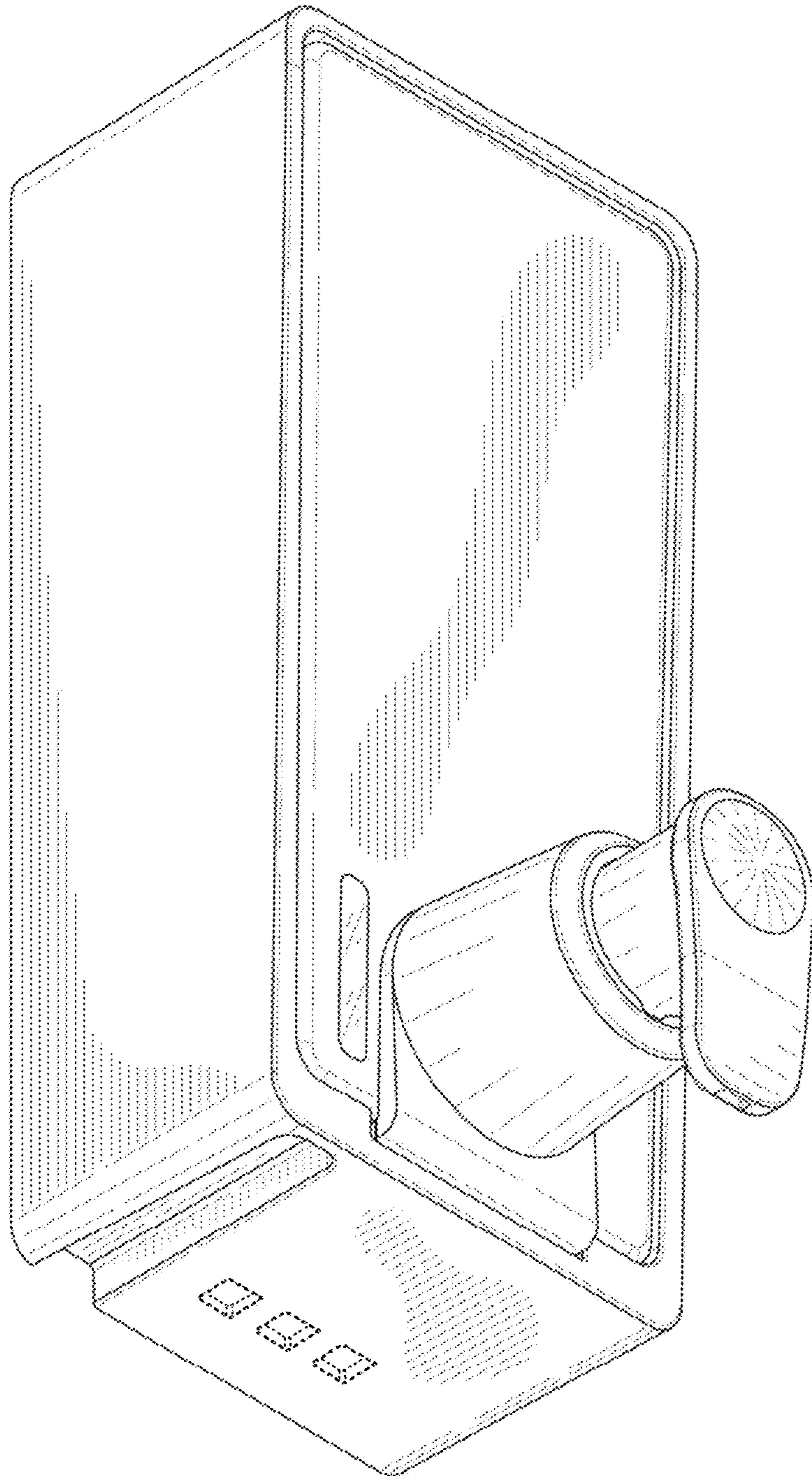


FIG. 2

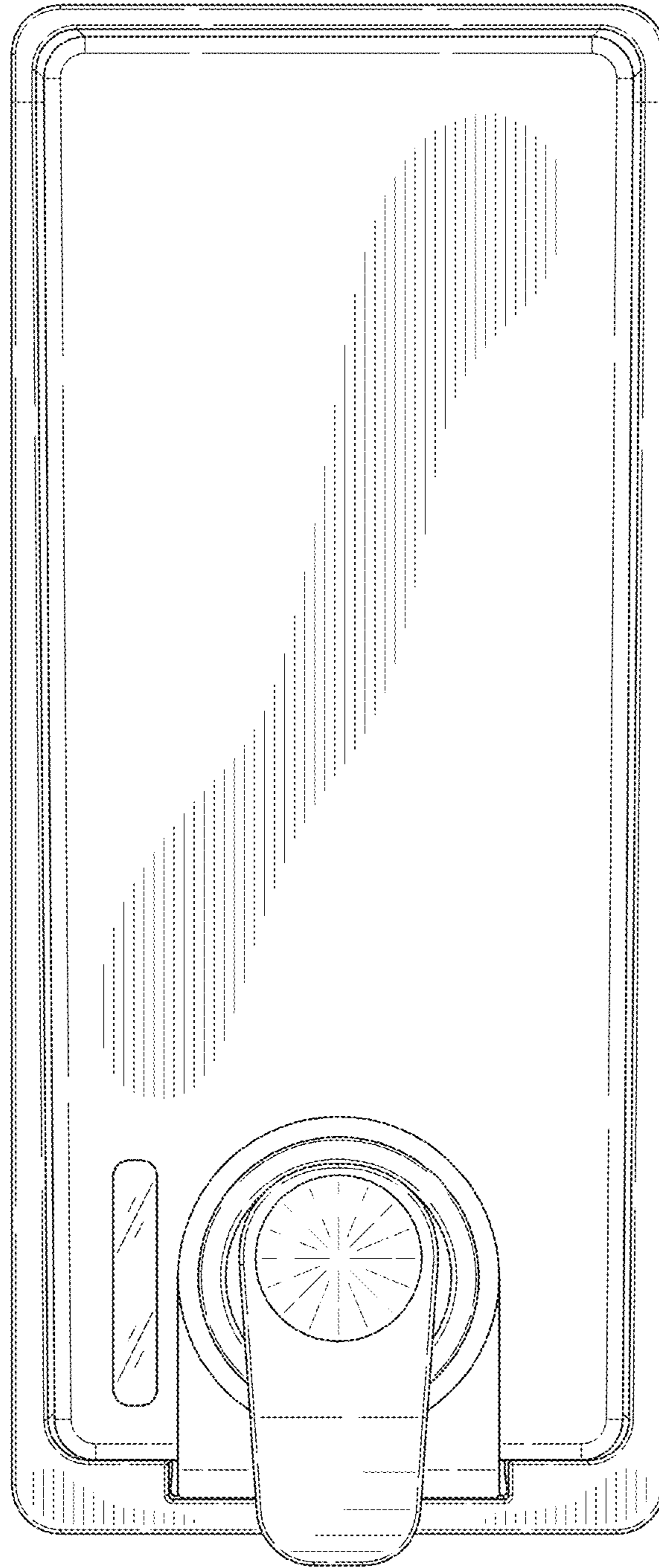


FIG. 3

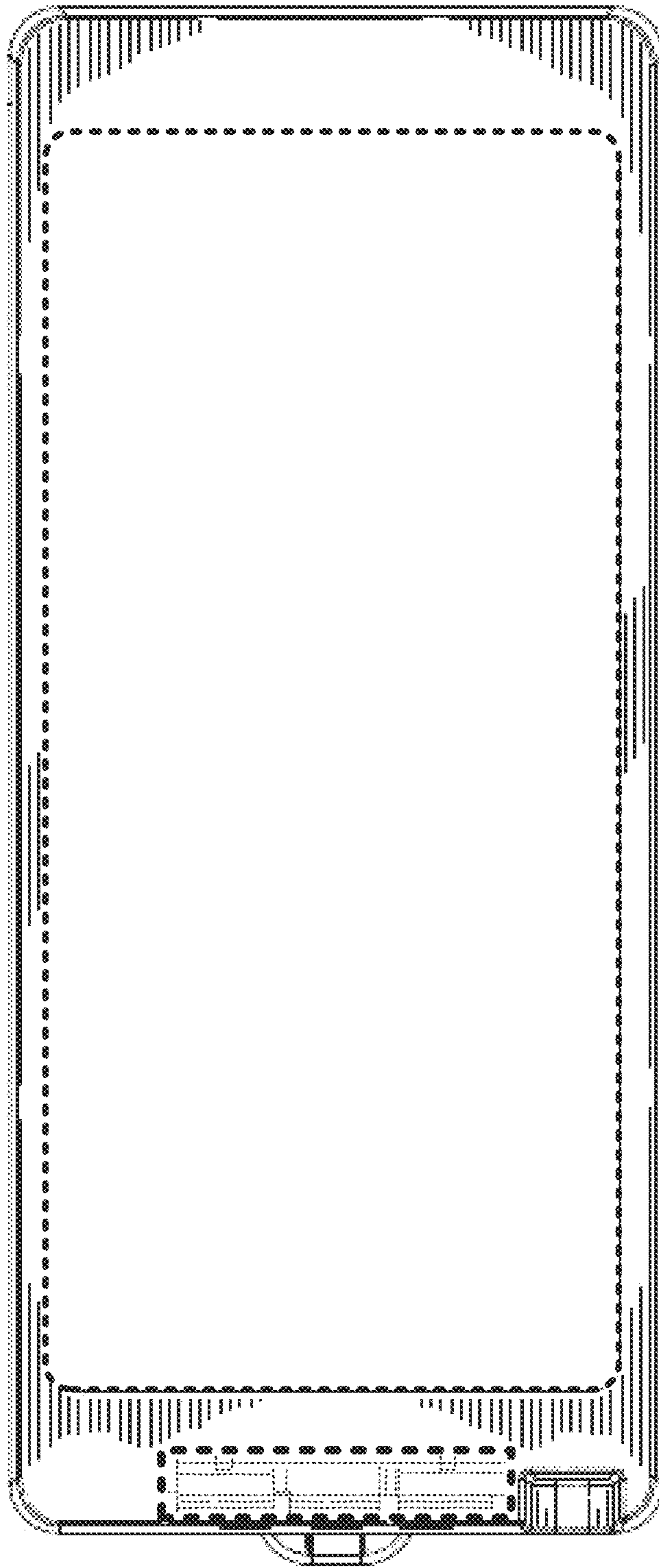


FIG. 4

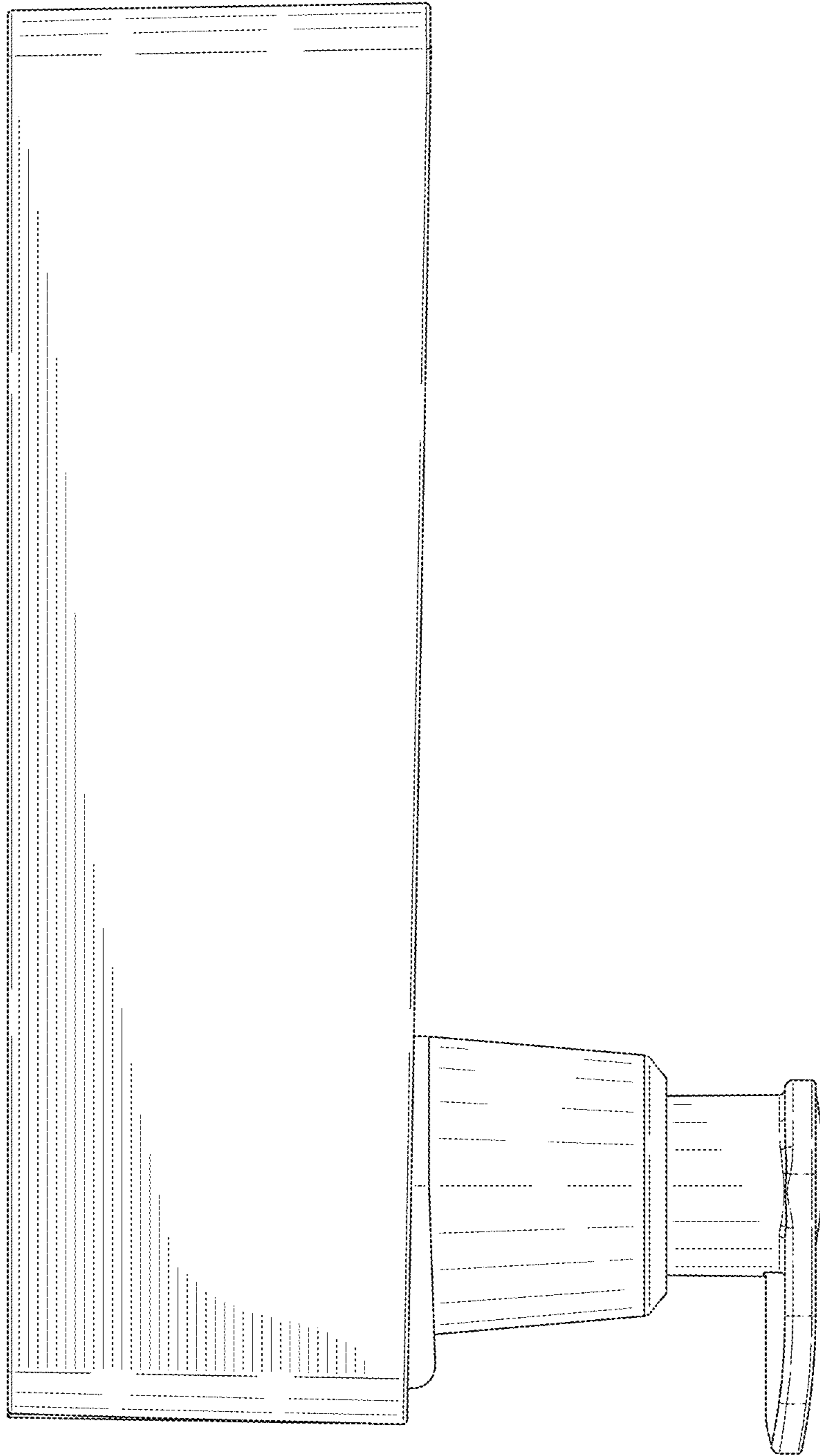


FIG. 5

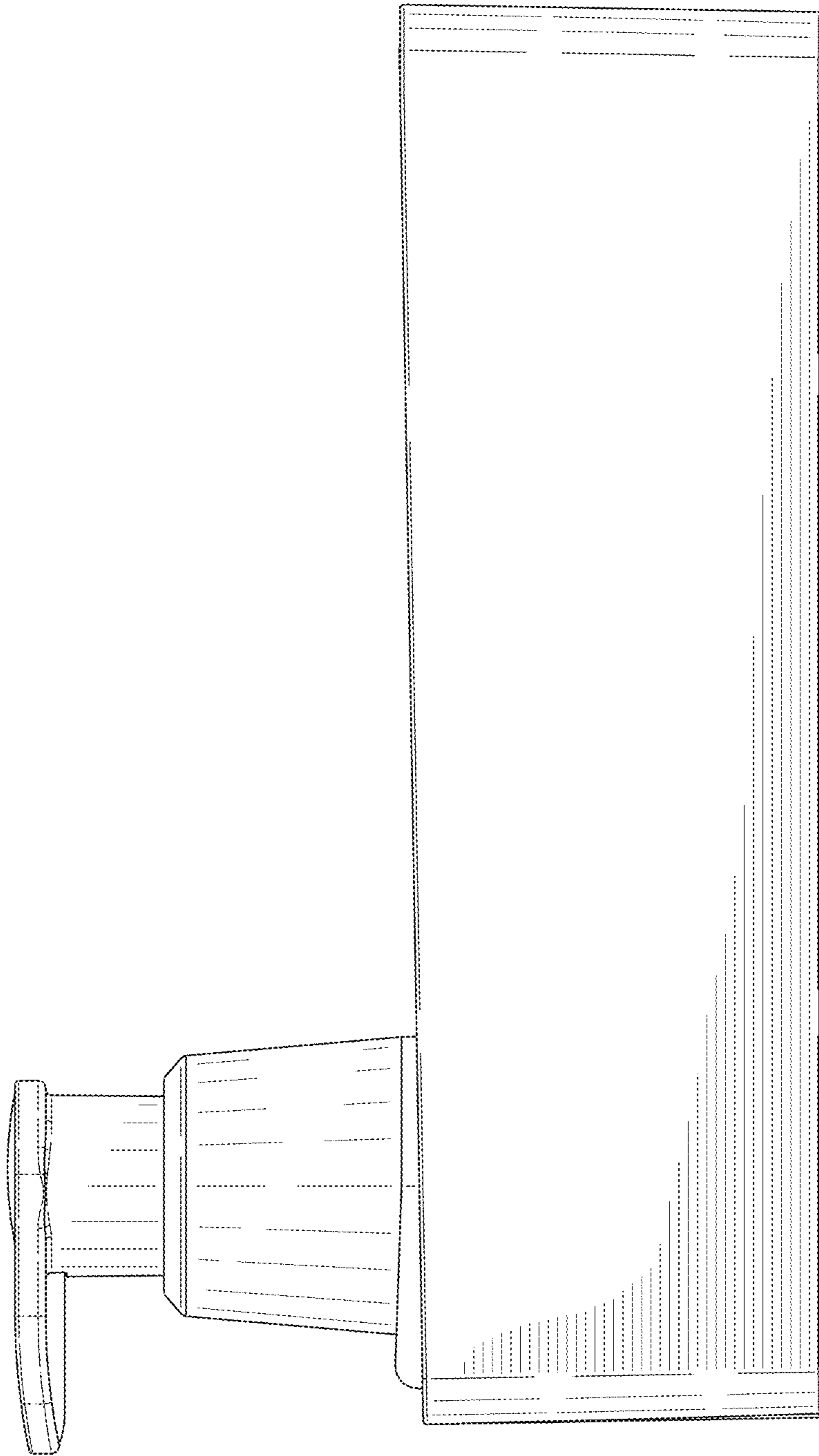


FIG. 6

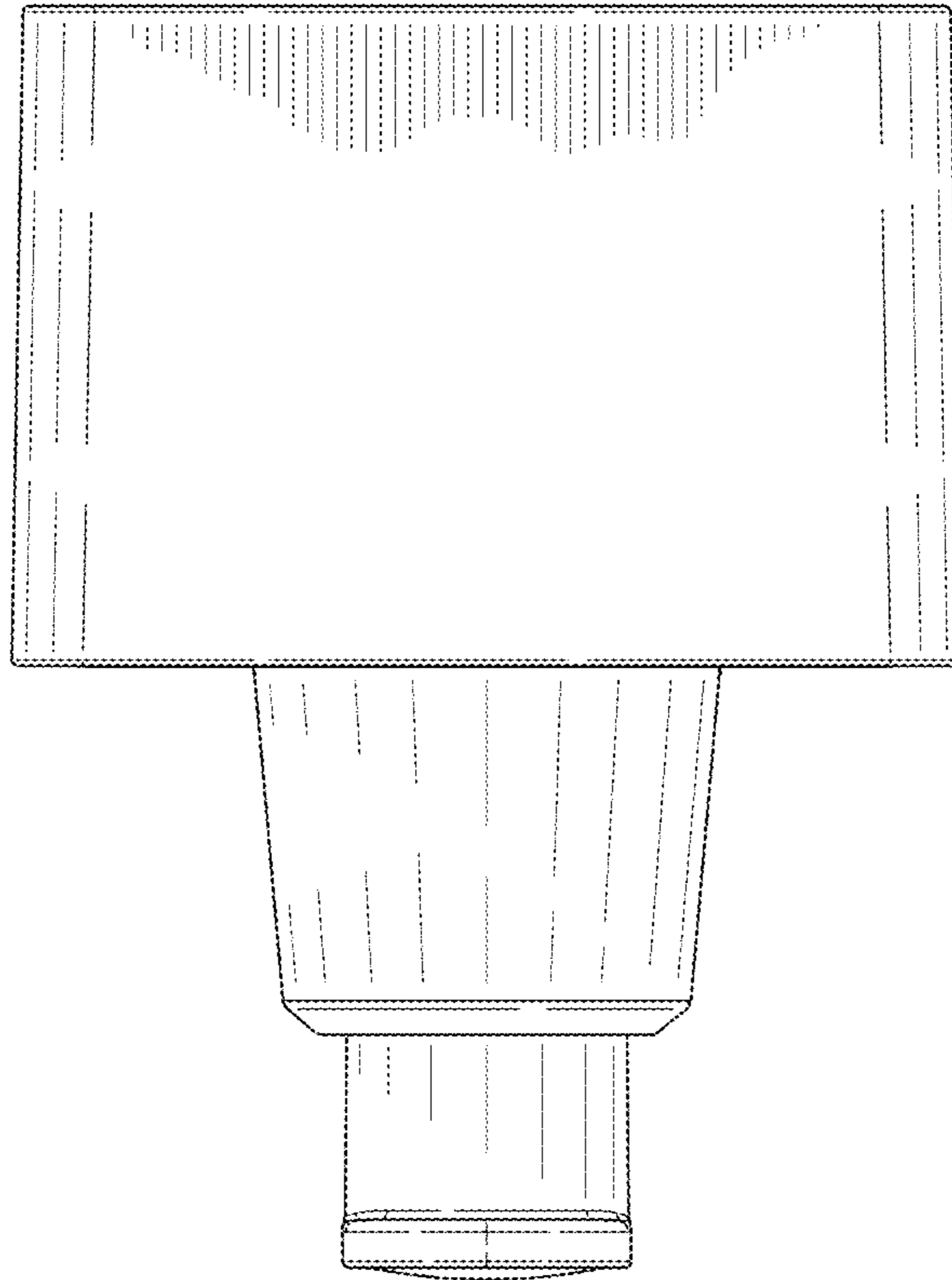


FIG. 7

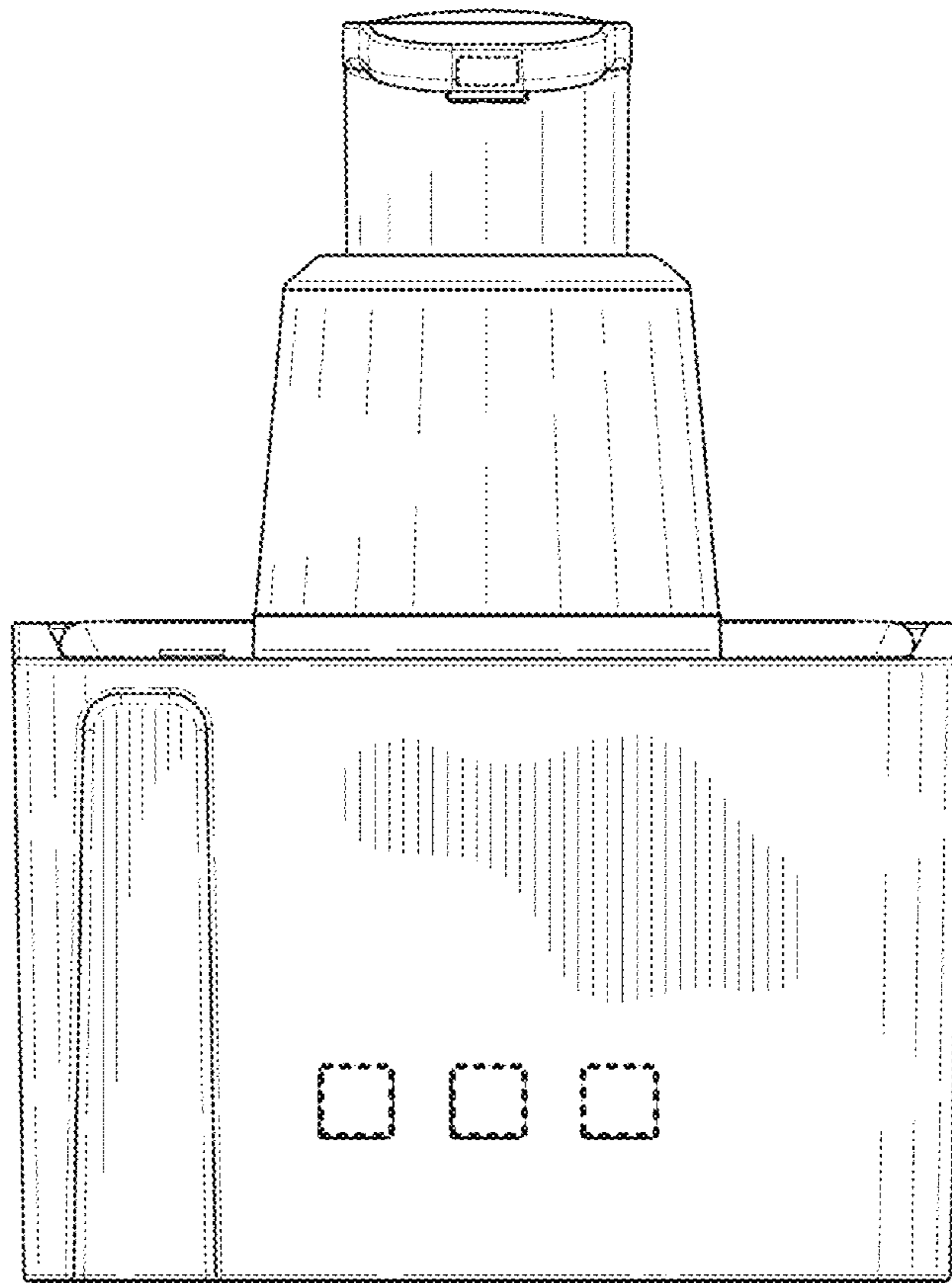


FIG. 8

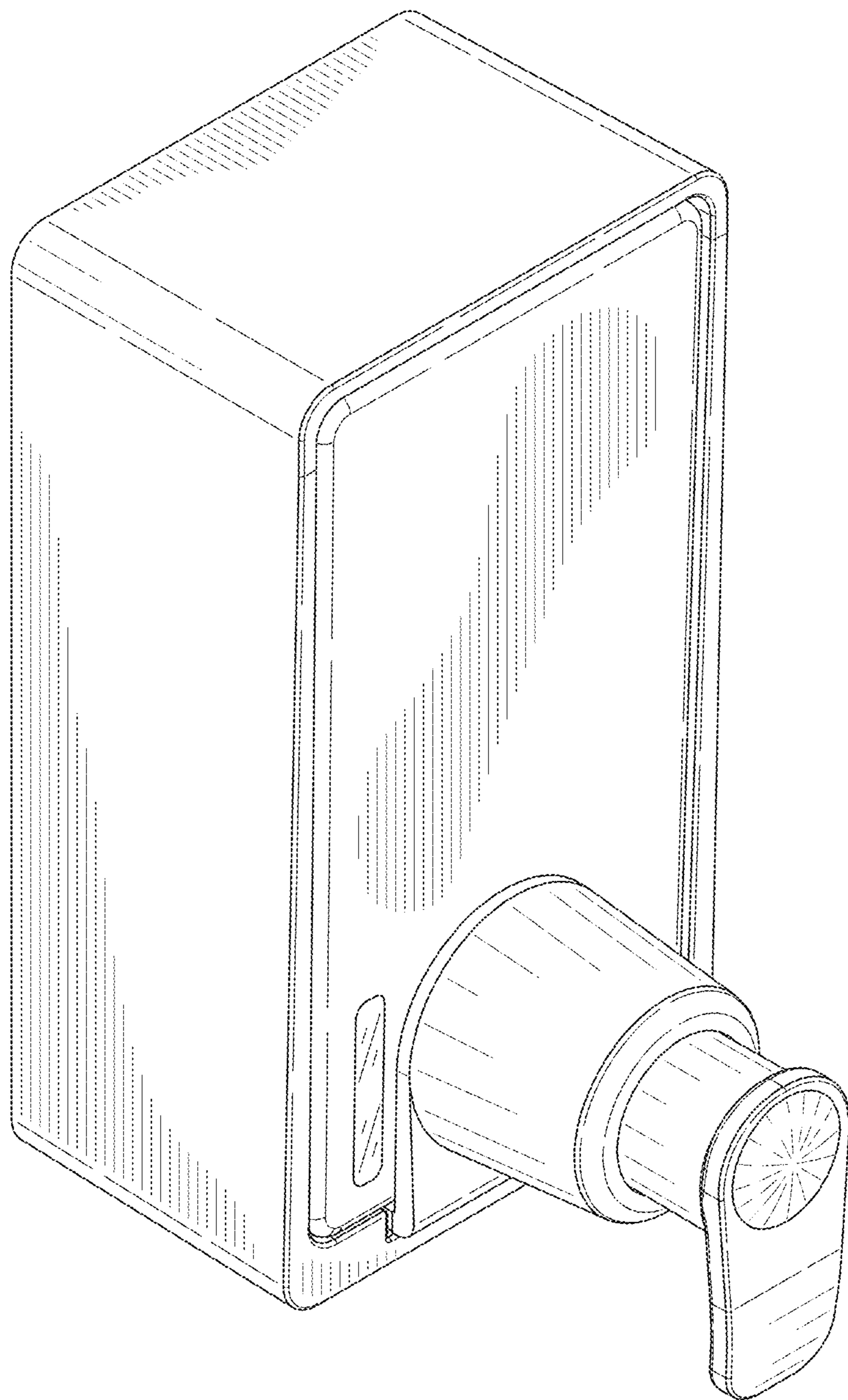


FIG. 9

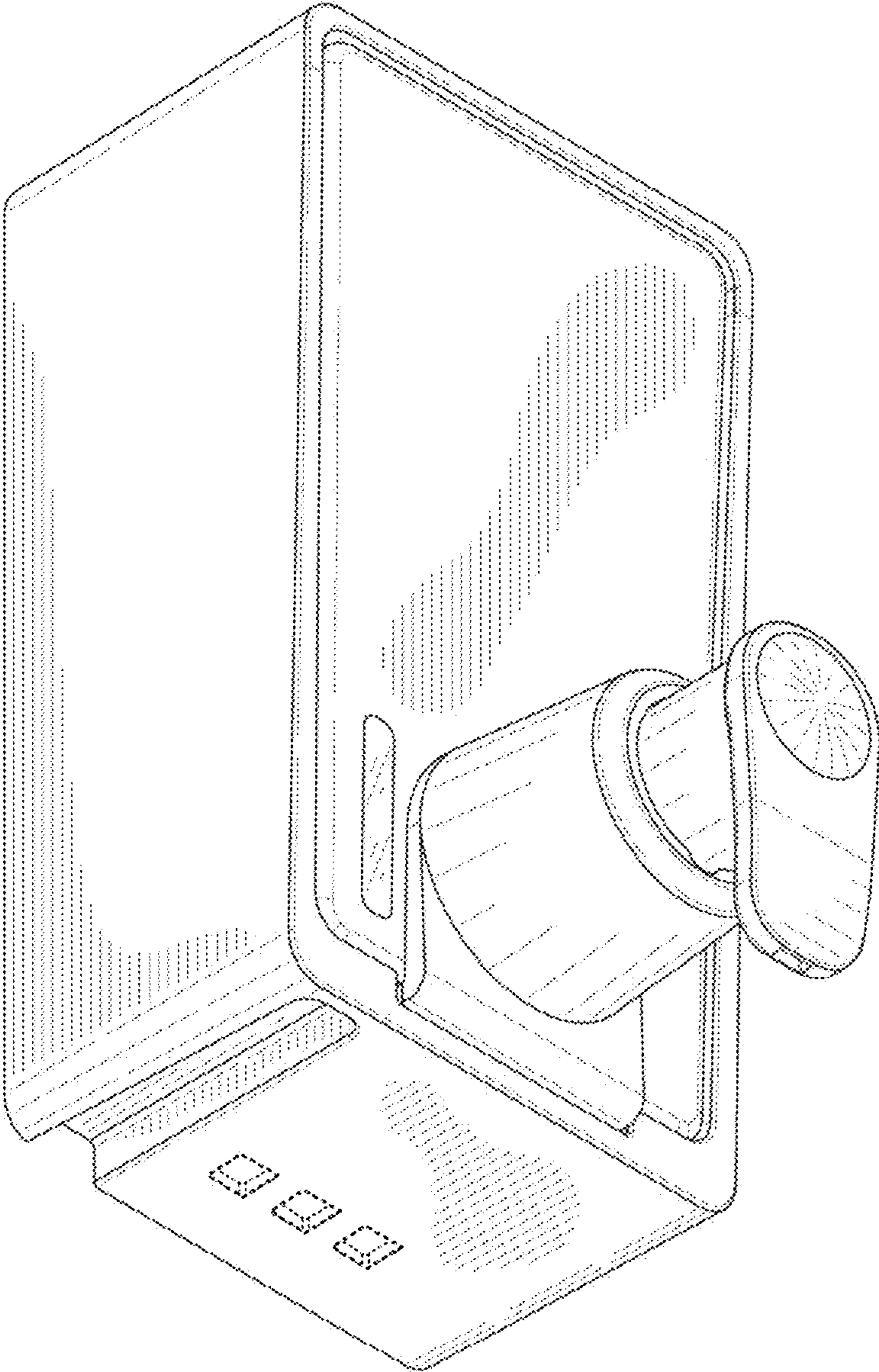


FIG. 10

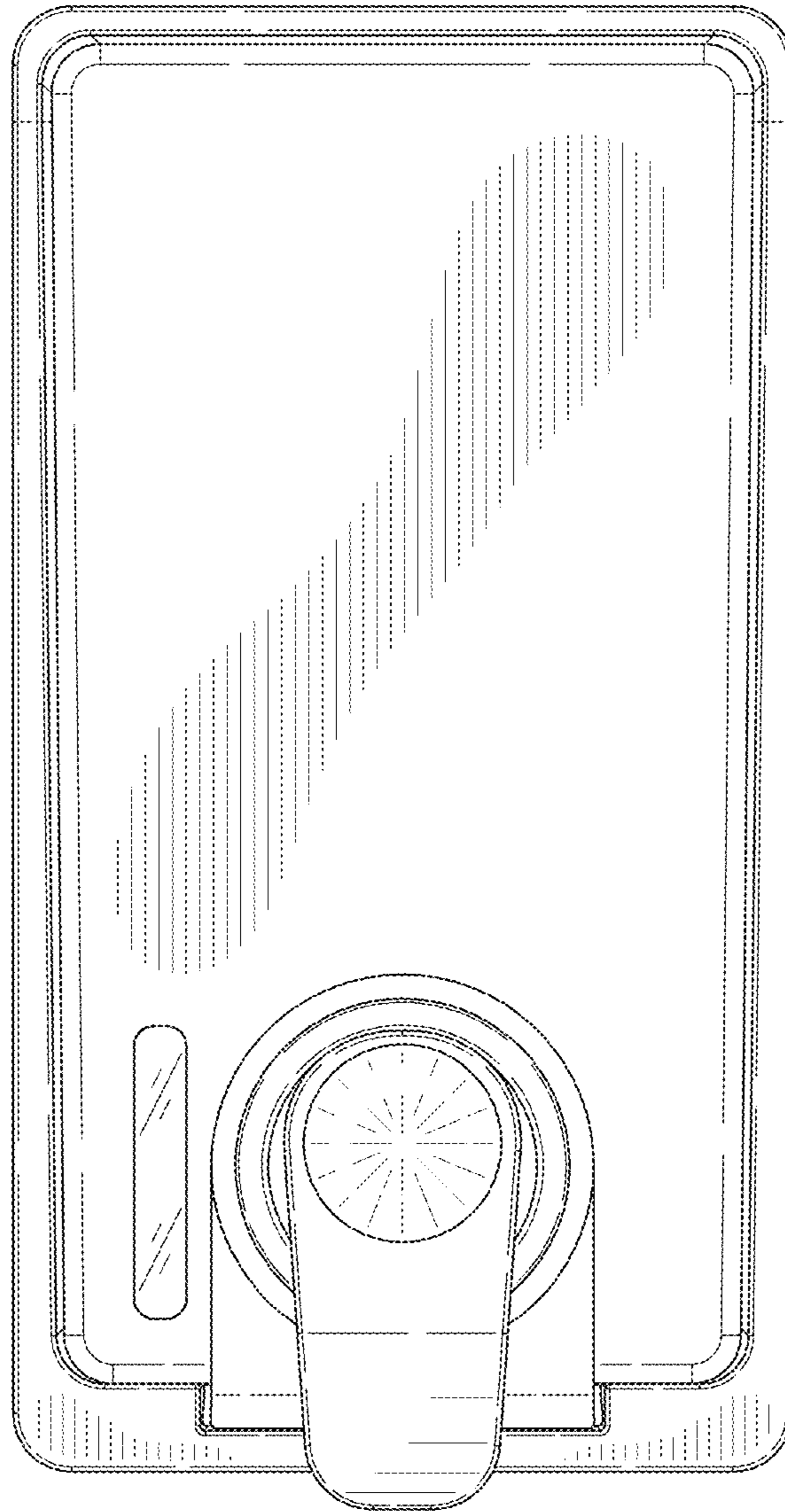


FIG. 11

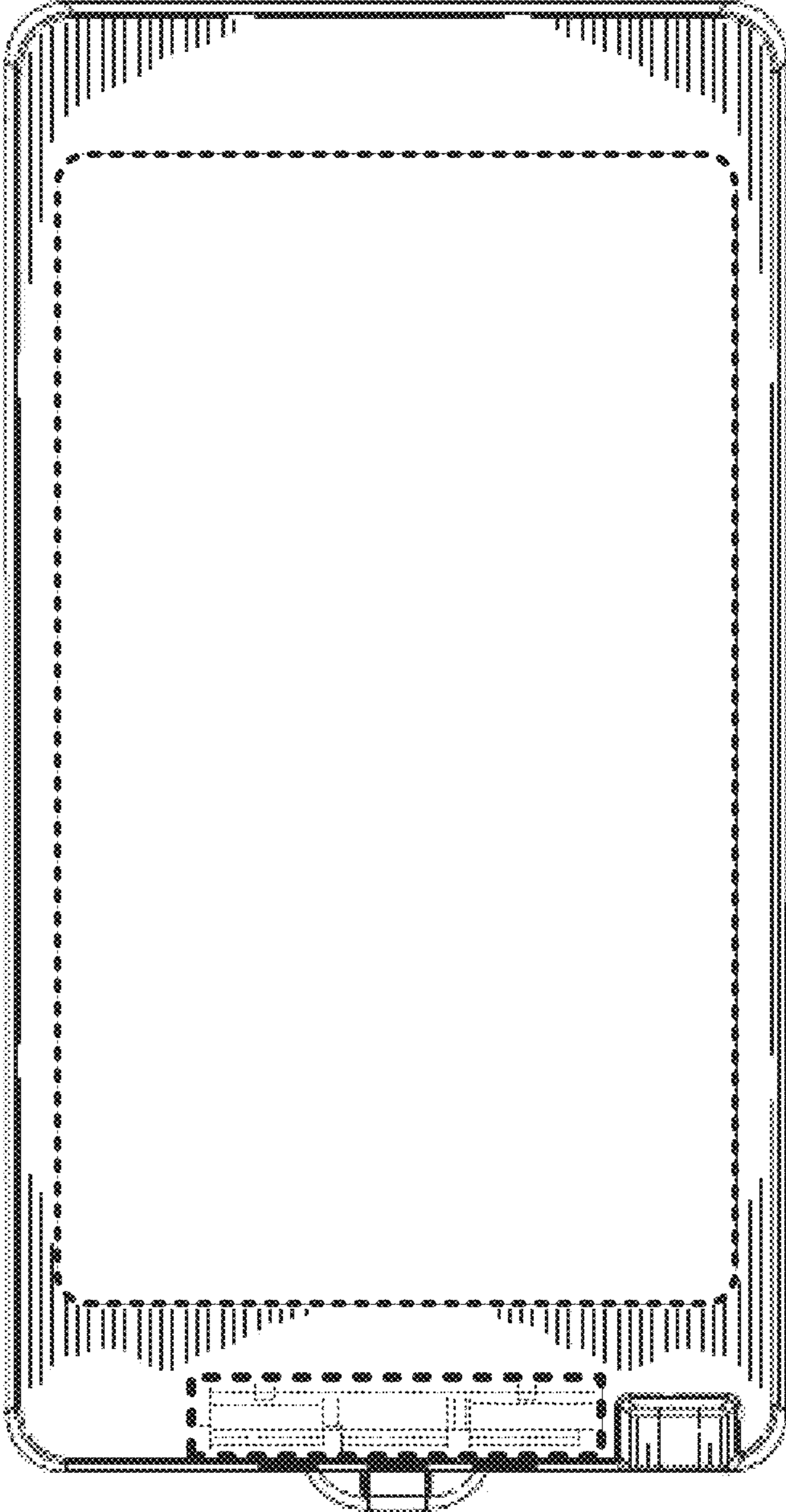


FIG. 12

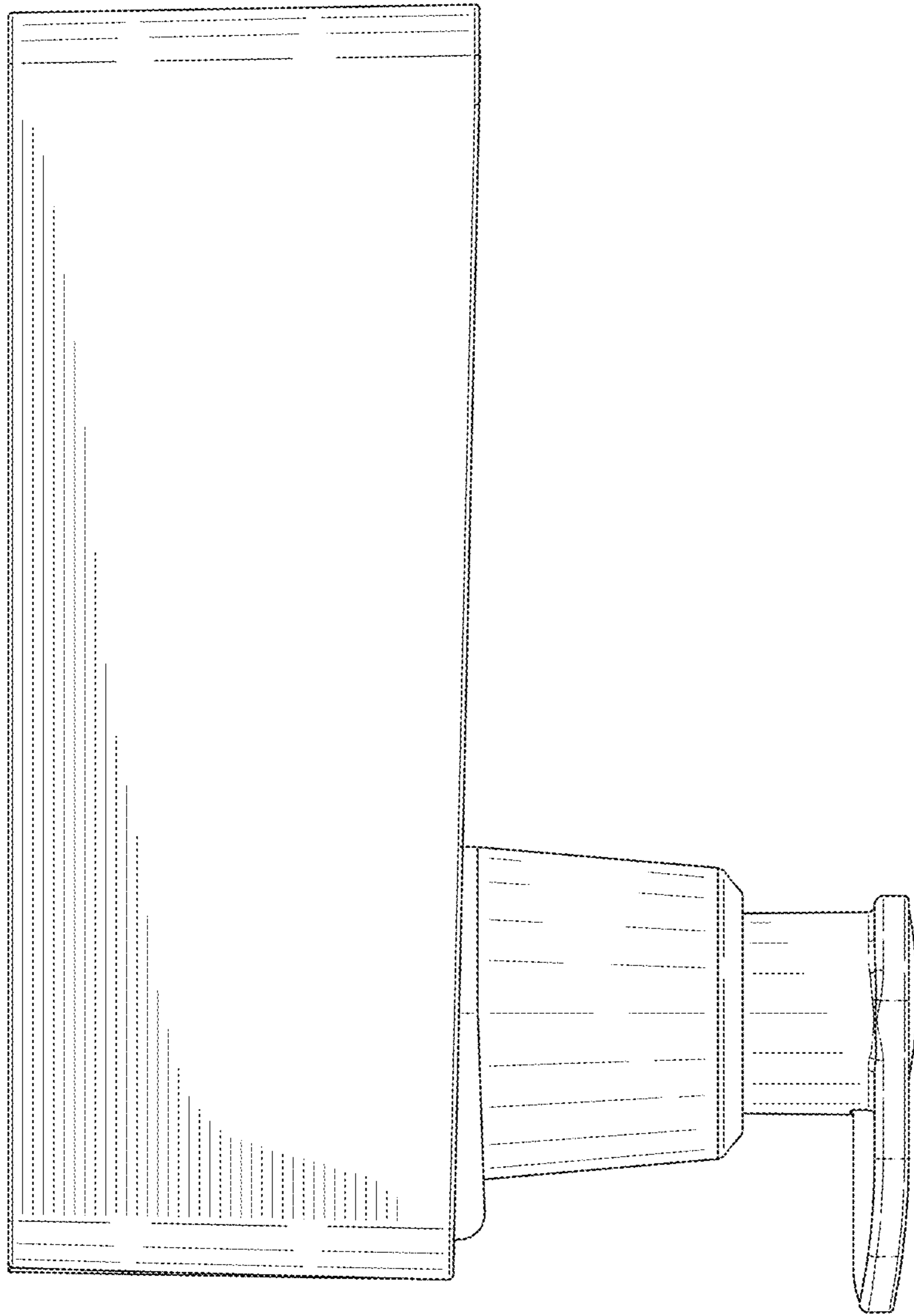


FIG. 13

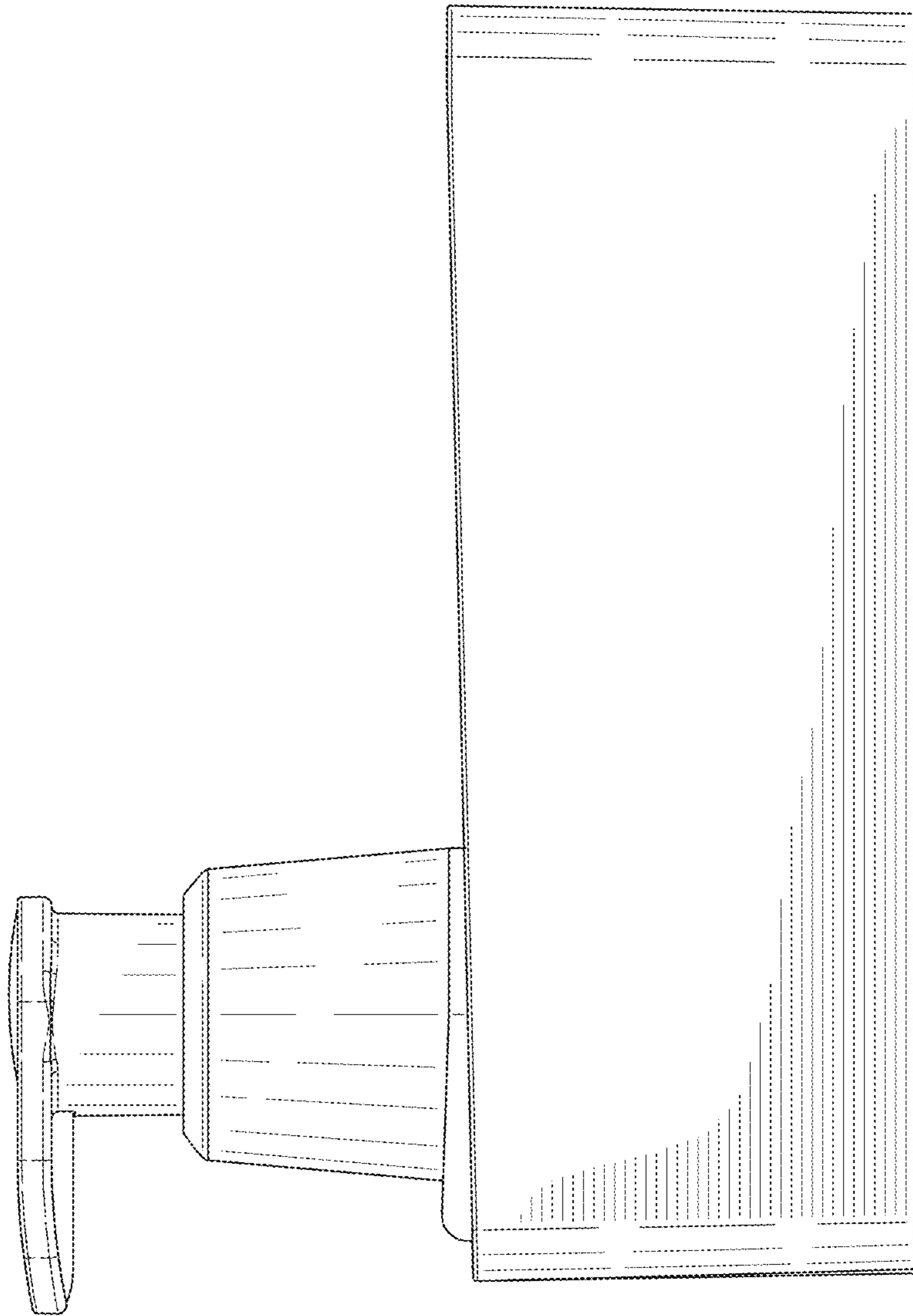


FIG. 14

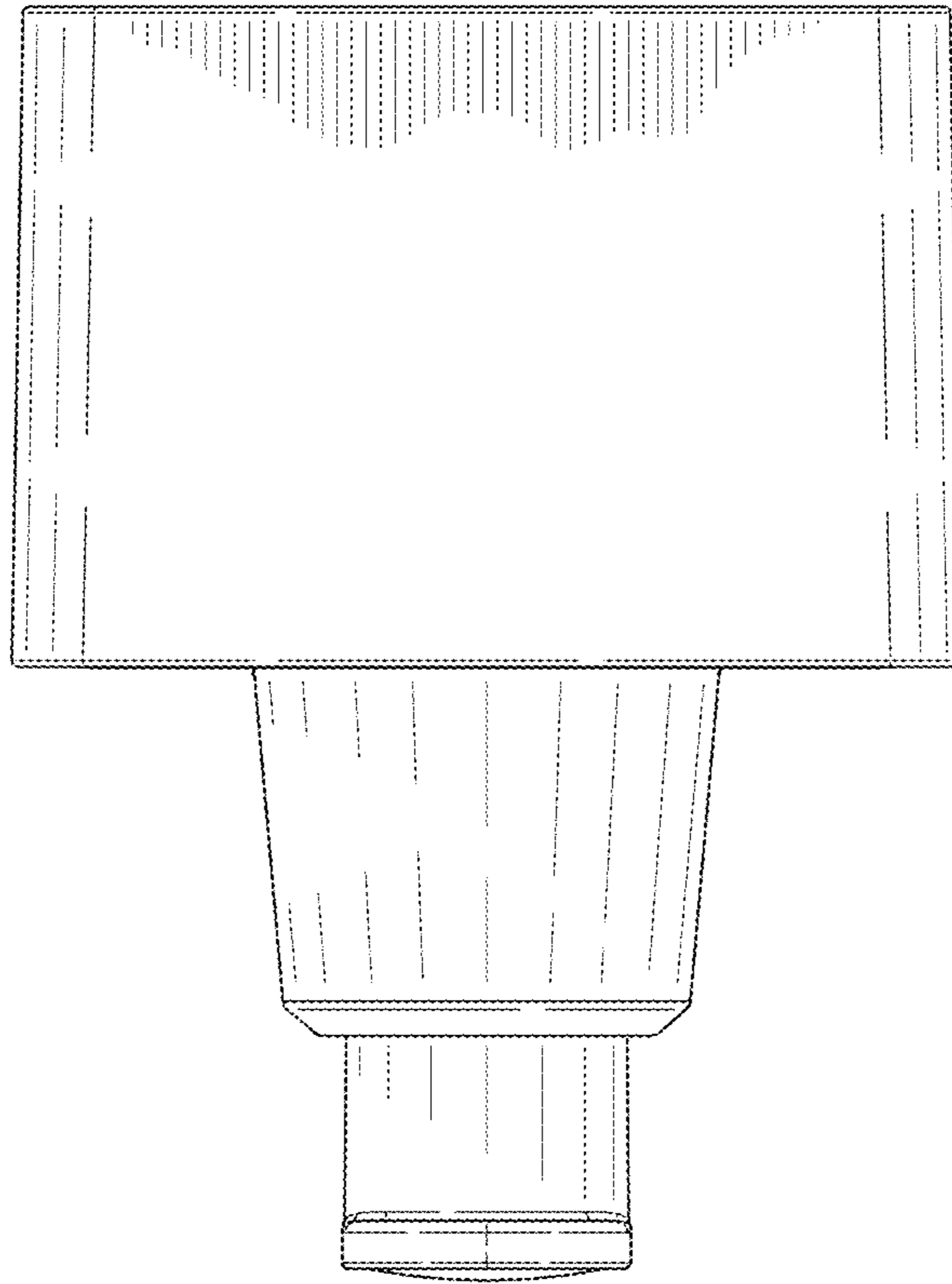


FIG. 15

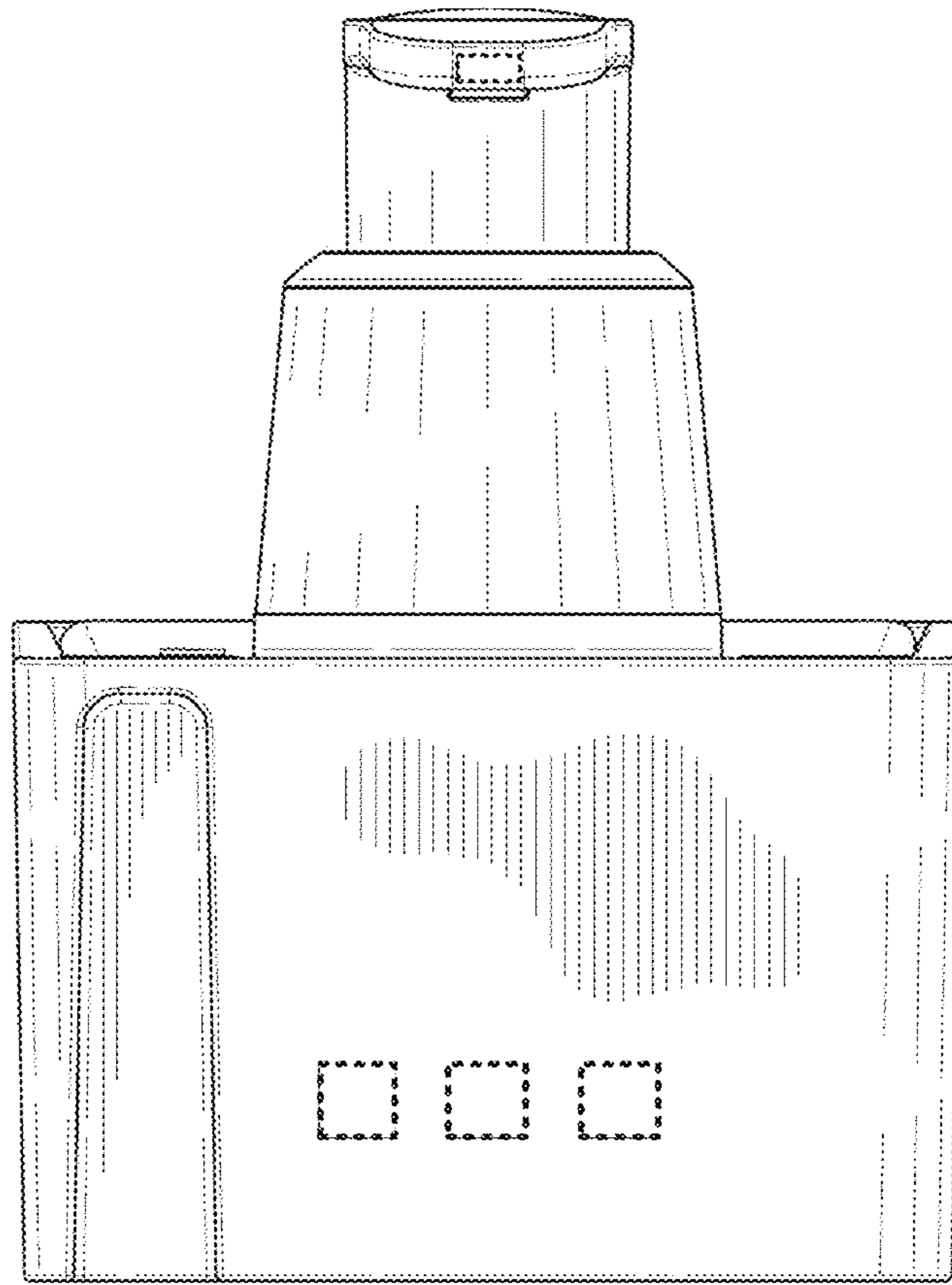


FIG. 16