

US00D974788S

(12) **United States Design Patent** (10) **Patent No.:** **US D974,788 S**
James (45) **Date of Patent:** **** Jan. 10, 2023**

(54) **CHAIR**
(71) Applicant: **Grand Rapids Chair Company**, Byron Center, MI (US)
(72) Inventor: **Paul A. James**, Edina, MN (US)
(73) Assignee: **Grand Rapids Chair Company**, Byron Center, MI (US)
(**) Term: **15 Years**
(21) Appl. No.: **29/814,264**
(22) Filed: **Nov. 4, 2021**

D191,305 S 9/1961 Grosskopf
3,003,817 A * 10/1961 King A47C 4/02
297/440.22
D192,800 S 5/1962 Munson
(Continued)

FOREIGN PATENT DOCUMENTS

CN 3550037 8/2006
CN 303821529 8/2016
(Continued)

OTHER PUBLICATIONS

GR Chair, Hula Outdoor Chair, [online]retrieved May 4, 2020, available from intrenet, <https://grandpraidchair.com/product/hula-outdoor-chair/?spec-sheet+1> (Year: 2020).
(Continued)

Related U.S. Application Data

(62) Division of application No. 29/720,431, filed on Jan. 13, 2020, now Pat. No. Des. 939,235.
(51) **LOC (14) Cl.** **06-01**
(52) **U.S. Cl.**
USPC **D6/374**
(58) **Field of Classification Search**
USPC D6/360, 368, 369, 374, 375, 376, 379,
D6/380, 716
CPC .. A47C 3/04; A47C 7/029; A47C 7/40; A47C
9/007
See application file for complete search history.

Primary Examiner — Kevin K Rudzinski
Assistant Examiner — Paul D Bohannon
(74) *Attorney, Agent, or Firm* — Gardner, Linn, Burkhardt & Ondersma LLP

(57) **CLAIM**

The ornamental design for the chair, substantially as shown and described.

DESCRIPTION

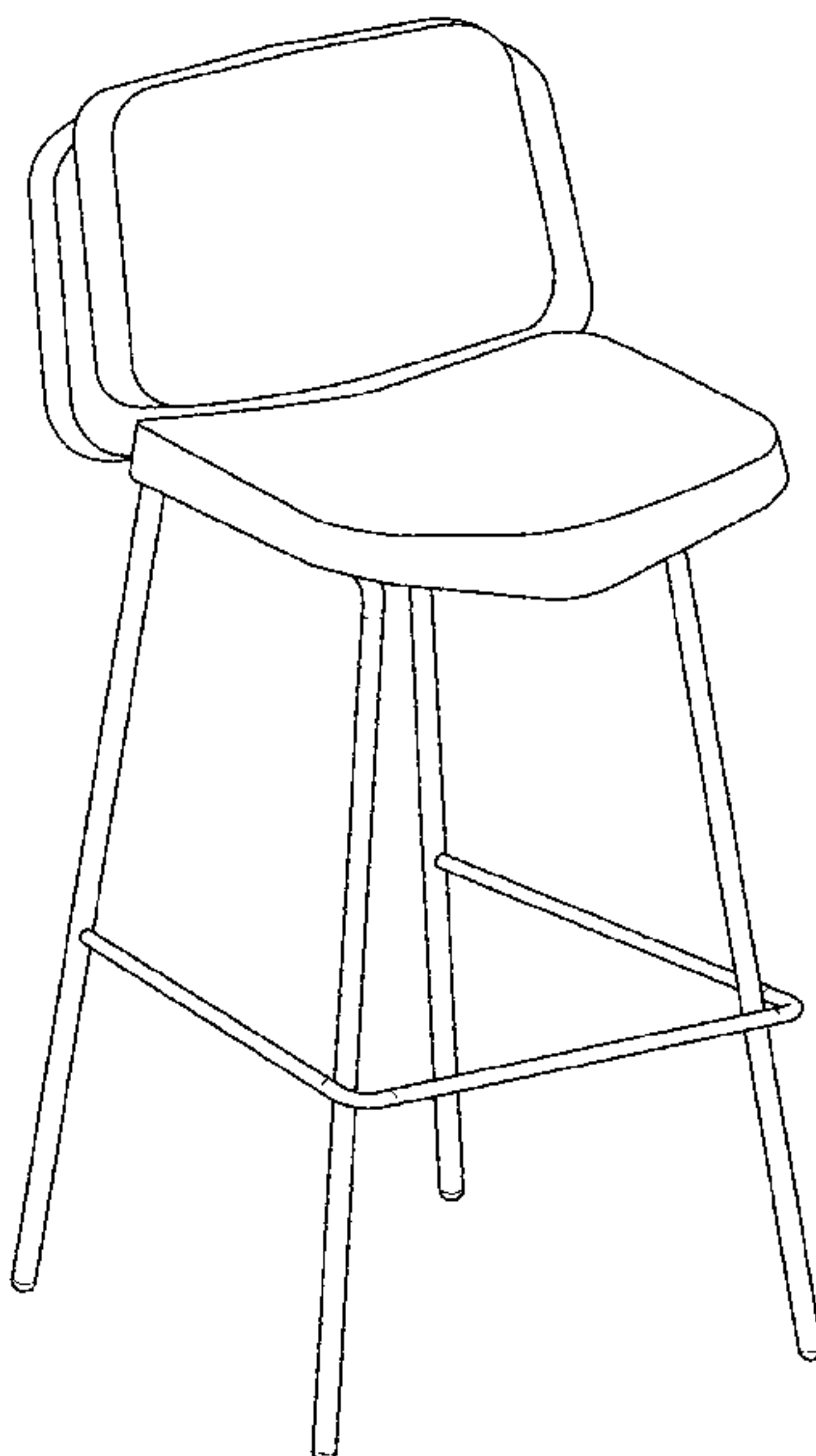
FIG. 1 is a perspective view of the chair, according to the present invention;
FIG. 2 is a front elevation view of the chair of FIG. 1;
FIG. 3 is a left-side elevation view of the chair of FIG. 1;
FIG. 4 is a rear elevation view of the chair of FIG. 1;
FIG. 5 is a right-side elevation view of the chair of FIG. 1;
FIG. 6 is a top plan view of the chair of FIG. 1; and,
FIG. 7 is a bottom plan view of the chair of FIG. 1.
The broken lines shown in the drawings are for the purpose of illustrating portions of the article and form no part of the claimed design.

(56) **References Cited**

U.S. PATENT DOCUMENTS

749,709 A 1/1904 Stockwell
D102,030 S 11/1936 Hoffmann
D103,408 S 3/1937 Reischmann
D122,703 S * 9/1940 Veit D6/374
D168,212 S 7/1952 Cicchelli
D174,623 S 5/1955 Holland
D177,980 S 6/1956 Kjer
D181,601 S * 12/1957 Pike D6/375

1 Claim, 6 Drawing Sheets



(56)

References Cited

U.S. PATENT DOCUMENTS

D193,657 S 9/1962 Van Buren
 D194,742 S * 3/1963 Deaton 297/452.11
 D197,643 S 3/1964 Kramer
 D202,426 S * 9/1965 Jakobsen D6/360
 D202,549 S 10/1965 Kramer
 D202,550 S 10/1965 Kramer
 D223,244 S 4/1972 Prashker
 3,669,496 A 6/1972 Chisholm
 D227,956 S 7/1973 Sundberg
 D239,988 S 5/1976 Dittert
 D240,780 S 8/1976 Dittert
 4,032,190 A 6/1977 Mueller-Deisig et al.
 D255,183 S 6/1980 Locher
 D255,293 S 6/1980 Locher
 D259,078 S 5/1981 Deconinck
 D268,799 S 5/1983 Feldberg
 D272,393 S 1/1984 Klier
 D279,155 S 6/1985 Aronowitz et al.
 D307,221 S 4/1990 Mudge
 5,048,894 A * 9/1991 Miyajima B60N 2/986
 297/452.59
 D339,940 S 10/1993 Balderi et al.
 D346,911 S 5/1994 Lucci et al.
 D349,196 S 8/1994 Lohmeyer
 D357,592 S 4/1995 Kellen
 D368,379 S * 4/1996 Muller D6/360
 D372,132 S 7/1996 Infanti
 D375,848 S 11/1996 Grosfillex
 D381,828 S 8/1997 Kemnitzer
 D385,119 S 10/1997 Chipman
 D396,759 S 8/1998 Duenkelsbuehler
 D420,821 S * 2/2000 Barile D6/360
 D422,806 S 4/2000 Neil
 D423,807 S 5/2000 Bartlmae
 6,102,481 A * 8/2000 Tateyama B29C 44/582
 297/464
 D433,829 S * 11/2000 Barile D6/360
 D433,830 S * 11/2000 Barile D6/360
 D512,236 S 12/2005 Preisig
 D512,238 S 12/2005 Chen
 D513,889 S 1/2006 Peterson et al.
 D524,071 S 7/2006 Brooks
 7,118,175 B2 10/2006 Crue
 D531,420 S 11/2006 Kita
 D535,134 S 1/2007 Muller
 D541,069 S * 4/2007 Peitz D6/374
 D543,715 S * 6/2007 Muller D6/360
 D544,228 S 6/2007 Bartlmae
 D559,570 S 1/2008 Higgs et al.
 D565,318 S * 4/2008 Alter Molina D6/375
 D566,979 S 4/2008 Cox et al.
 D572,049 S 7/2008 Kerr
 D572,928 S 7/2008 Rittfeldt et al.
 D582,692 S 12/2008 Kerr
 D588,826 S 3/2009 Ricchio
 D597,757 S 8/2009 Barbieri
 D597,758 S 8/2009 Barrett
 D609,036 S 2/2010 Miller et al.
 D611,740 S 3/2010 Koh
 D643,652 S 8/2011 Piretti
 D644,849 S 9/2011 Sienkowski et al.
 D646,087 S 10/2011 Miller et al.
 D648,566 S 11/2011 Sienkowski et al.
 8,112,868 B2 2/2012 Miller

D659,424 S 5/2012 Gramza et al.
 D659,444 S 5/2012 James
 D663,131 S 7/2012 Barefoot et al.
 D665,188 S 8/2012 Schweikarth
 D666,015 S * 8/2012 Morrison D6/360
 D672,975 S 12/2012 Rashid
 D683,558 S 6/2013 Rada et al.
 D686,425 S 7/2013 Behrens et al.
 D686,836 S 7/2013 Mascetti et al.
 D686,860 S * 7/2013 Fletcher D6/716
 D701,719 S 4/2014 Haase et al.
 D707,461 S 6/2014 Rada et al.
 D708,449 S * 7/2014 Ritterband D6/360
 D723,826 S 3/2015 Kaloustian et al.
 D726,434 S 4/2015 Ye
 D737,618 S 9/2015 Kaloustian et al.
 D741,618 S 10/2015 Haase et al.
 D747,611 S 1/2016 Haase et al.
 9,301,612 B2 4/2016 Kaloustian et al.
 D764,824 S 8/2016 Miller et al.
 D767,295 S 9/2016 Haase et al.
 D770,793 S 11/2016 Hayon
 D770,794 S 11/2016 Hayon
 D779,219 S 2/2017 Miller
 D784,036 S 4/2017 Ruiter et al.
 D785,962 S 5/2017 Muller
 D785,963 S 5/2017 Podsiadlo et al.
 D787,843 S 5/2017 Griffith
 D787,844 S 5/2017 Griffith
 D798,075 S 9/2017 Foley
 D799,848 S 10/2017 Morrison
 9,795,218 B2 * 10/2017 Muraguchi A47C 7/40
 D817,015 S 5/2018 Jeffery et al.
 D830,714 S 10/2018 Ruiter et al.
 D845,021 S 4/2019 Bray
 D860,665 S * 9/2019 Urquiola D6/360
 D860,666 S * 9/2019 Urquiola D6/360
 D860,667 S * 9/2019 Urquiola D6/360
 D886,474 S 6/2020 Jeffrey et al.
 D897,704 S * 10/2020 Giotti D6/360
 D898,399 S 10/2020 James
 D899,119 S 10/2020 Velez
 D920,692 S * 6/2021 Li D6/360
 D920,693 S * 6/2021 Urquiola D6/375
 D921,380 S * 6/2021 Nardi D6/360
 D939,235 S * 12/2021 James D6/374
 D948,235 S * 4/2022 Sadove D6/380
 2004/0061365 A1 * 4/2004 Crue A47C 3/04
 297/239
 2009/0212607 A1 8/2009 Kaloustian et al.
 2011/0278889 A1 11/2011 Sienkowski et al.

FOREIGN PATENT DOCUMENTS

CN 304632980 5/2018
 CN 304823895 9/2018
 EM 000967294-0020 8/2008
 EP 1247473 A1 * 10/2002 A47C 1/16

OTHER PUBLICATIONS

Haldane Martin, Hula Chair, Date first available, Nov. 23, 2018, [online]retrieved May 4, 2020, available from Intrenet, <https://www.instagram.com/haldanemartin/> (Year: 2018).

* cited by examiner

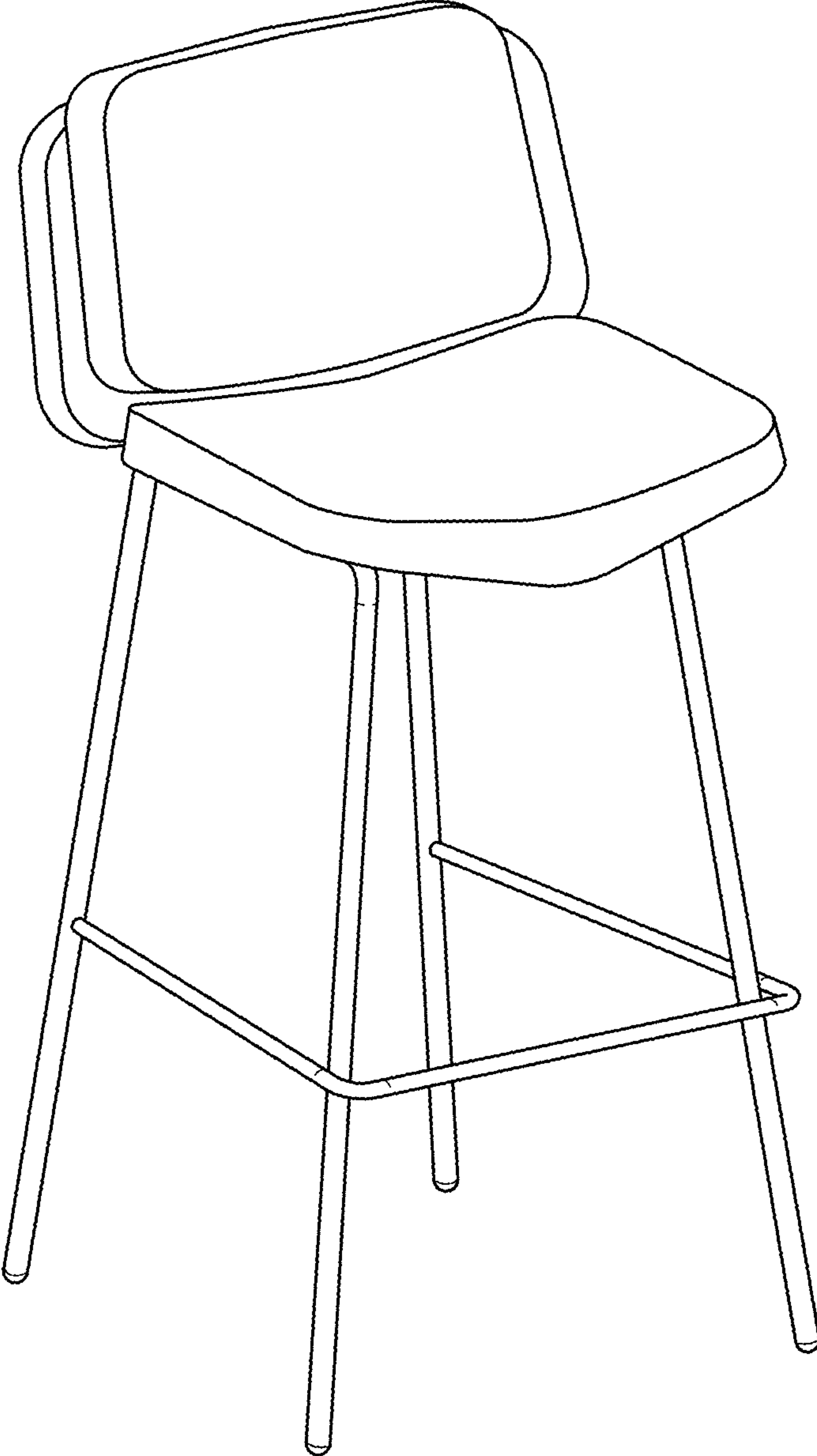


FIG. 1

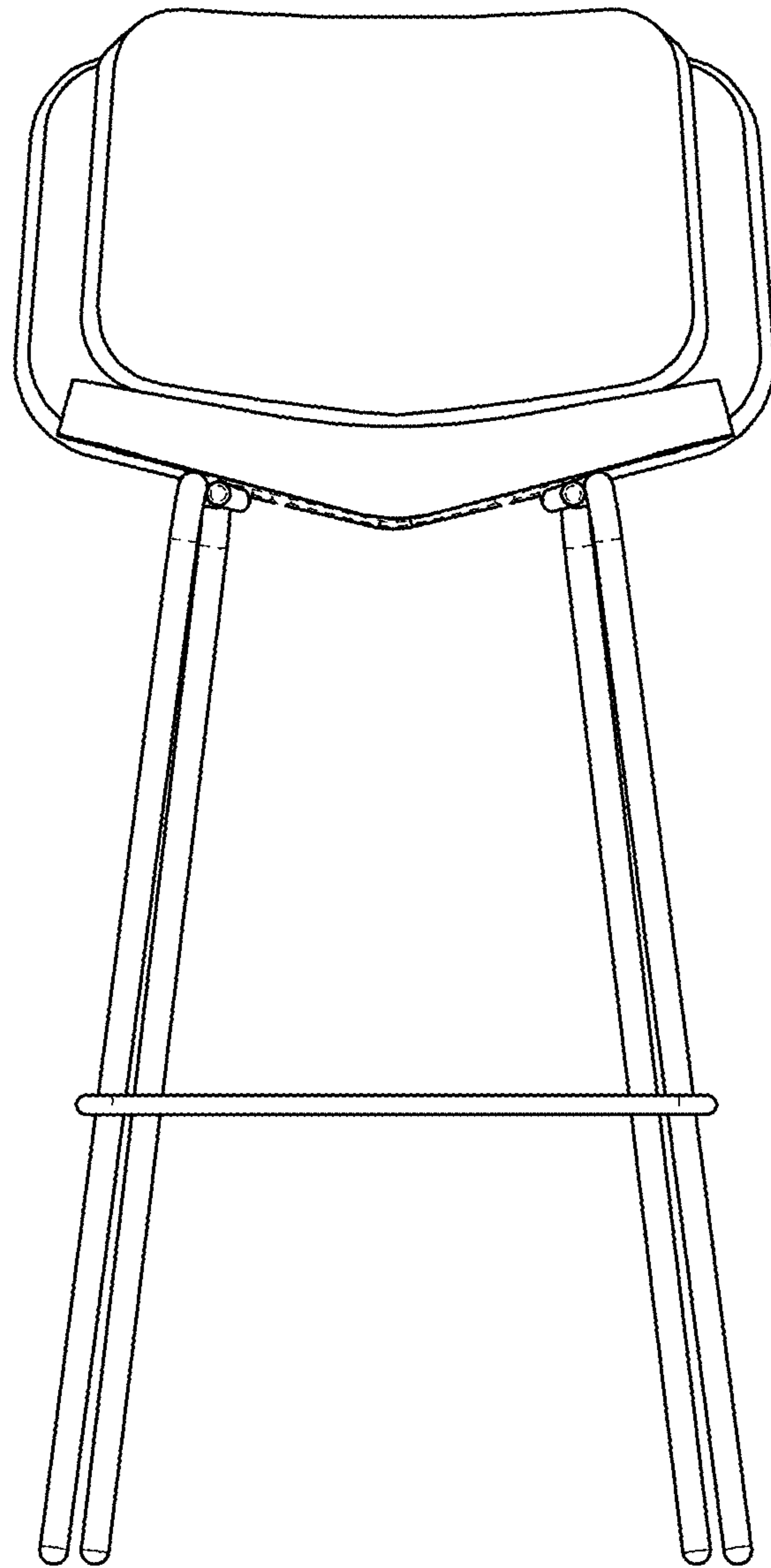


FIG. 2

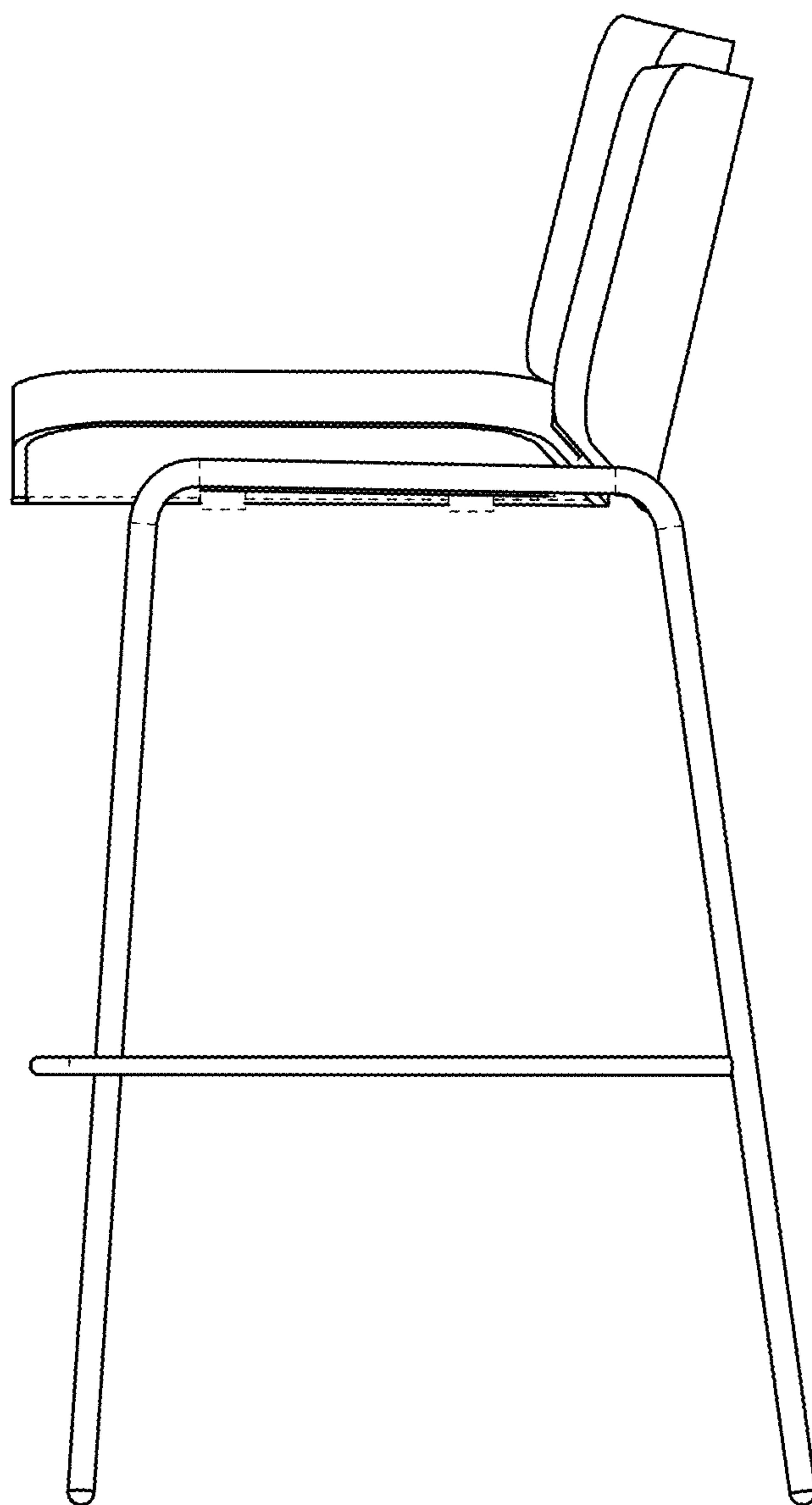


FIG. 3

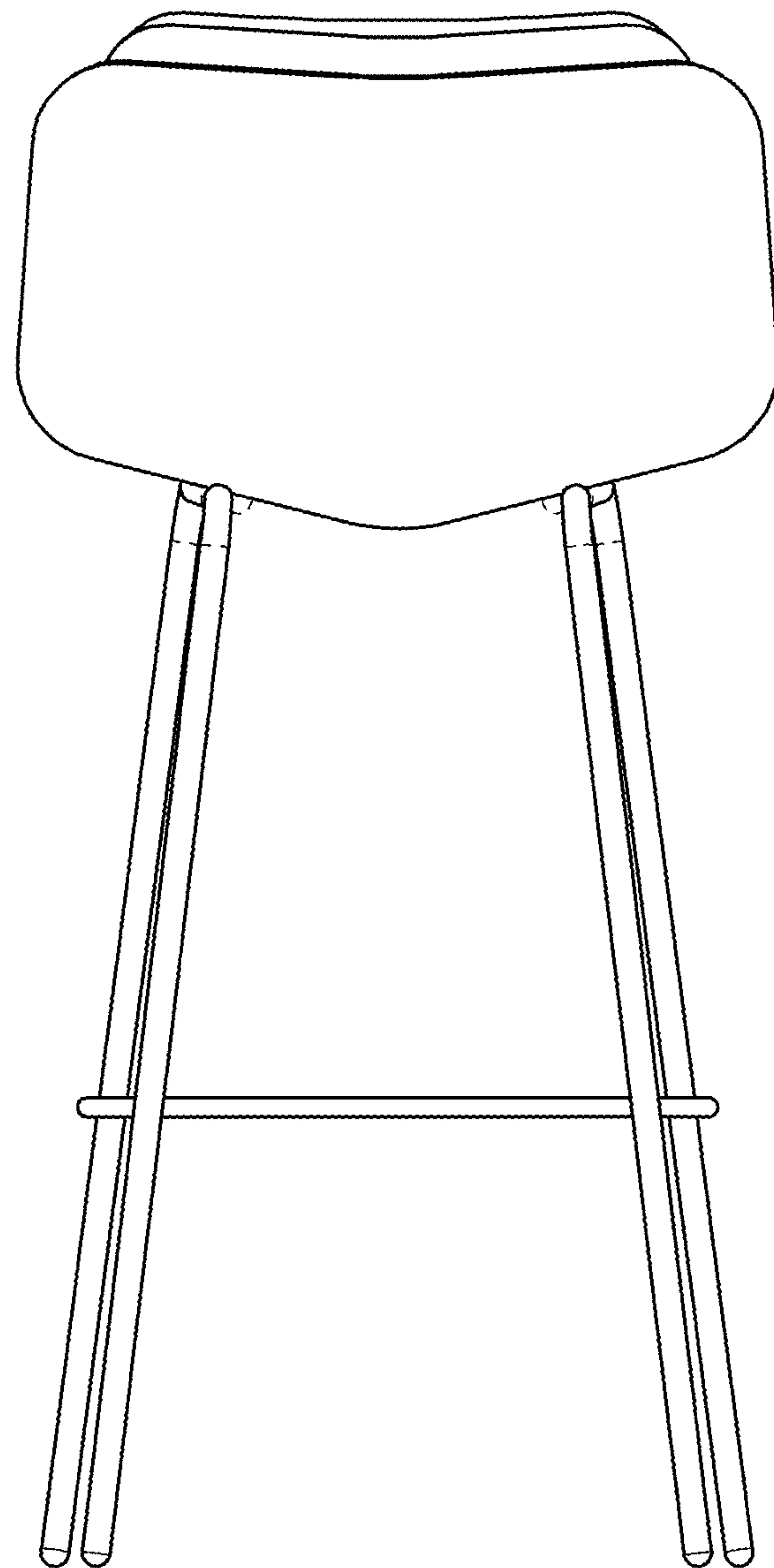


FIG. 4

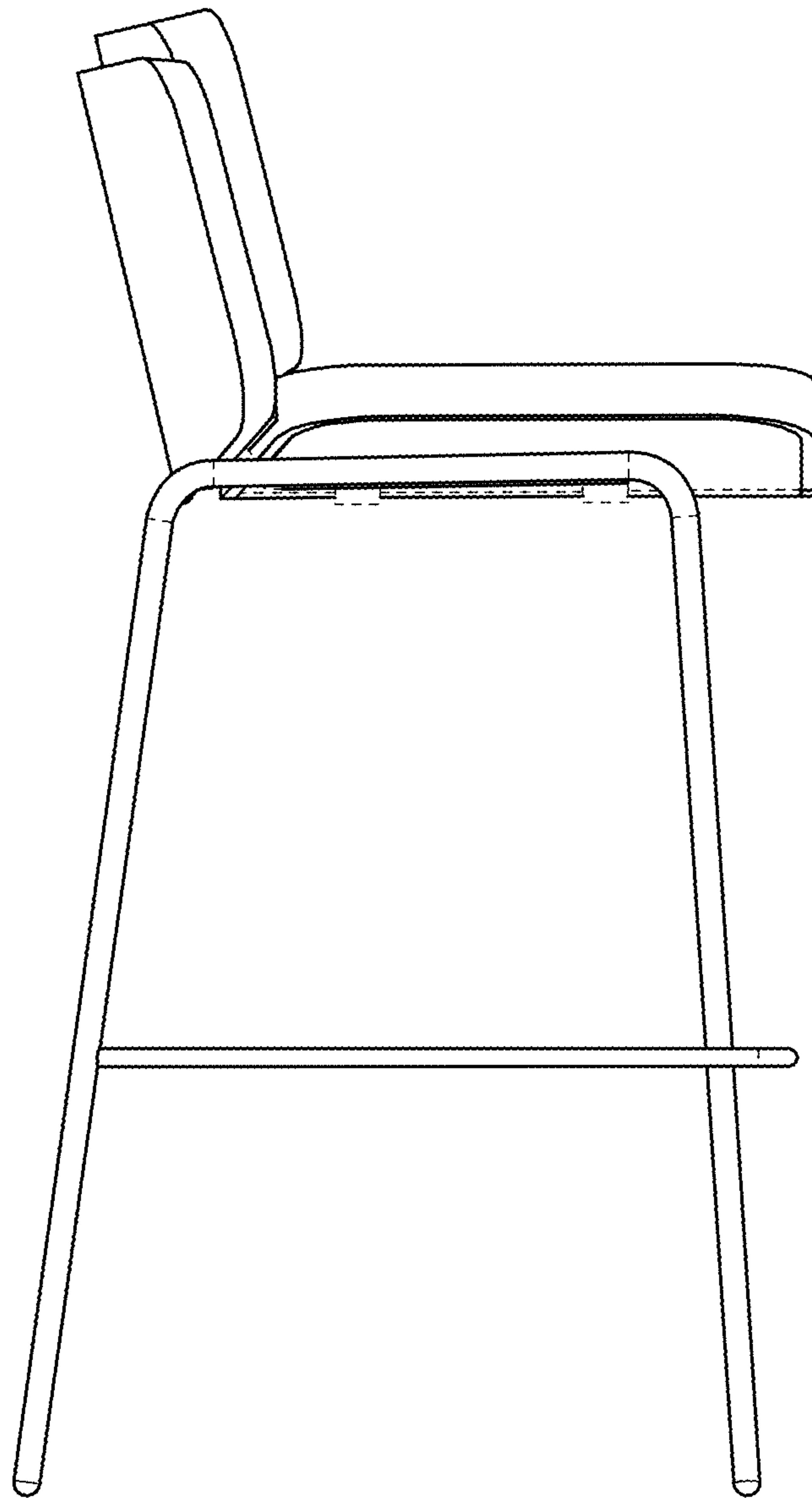


FIG. 5

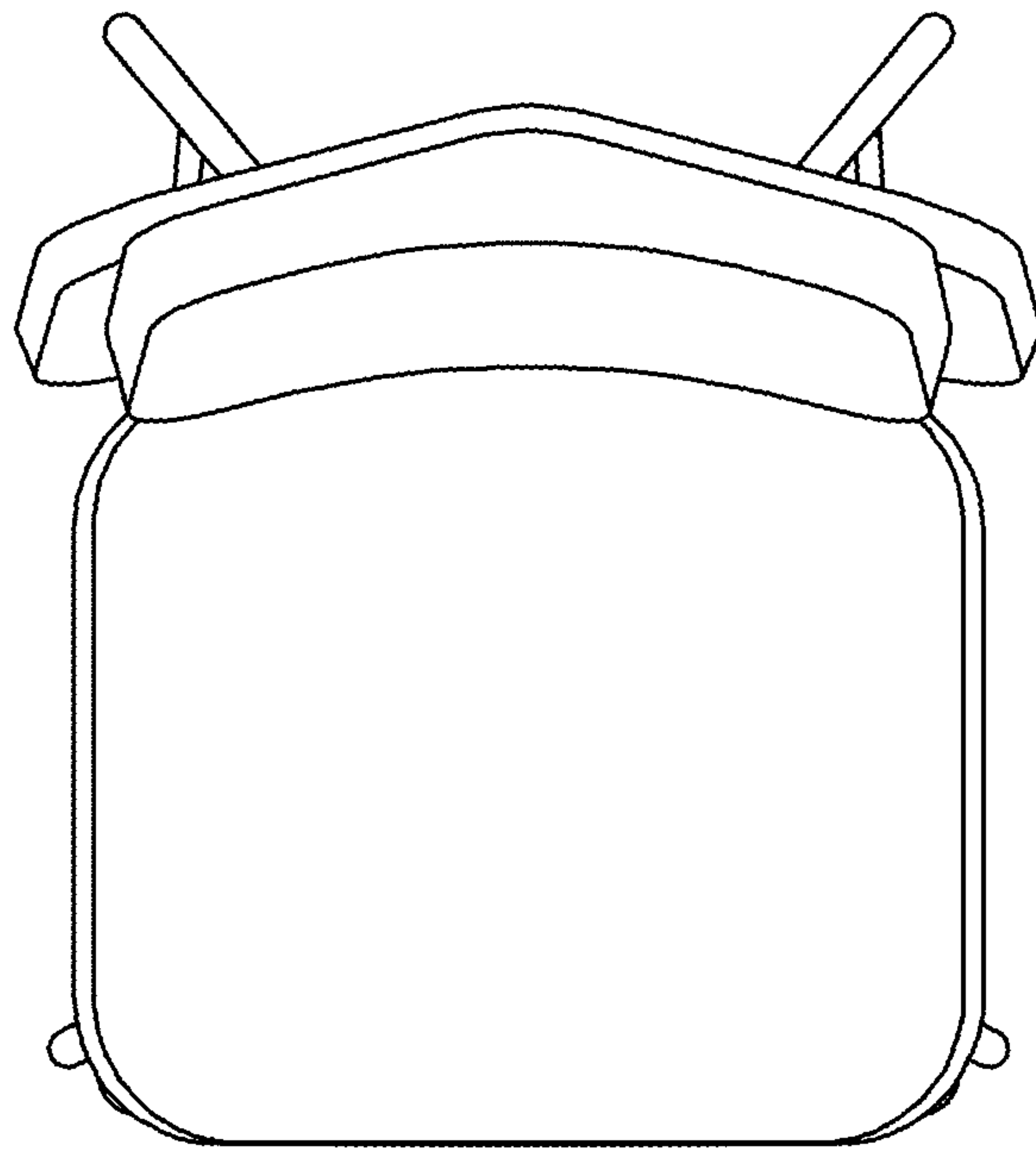


FIG. 6

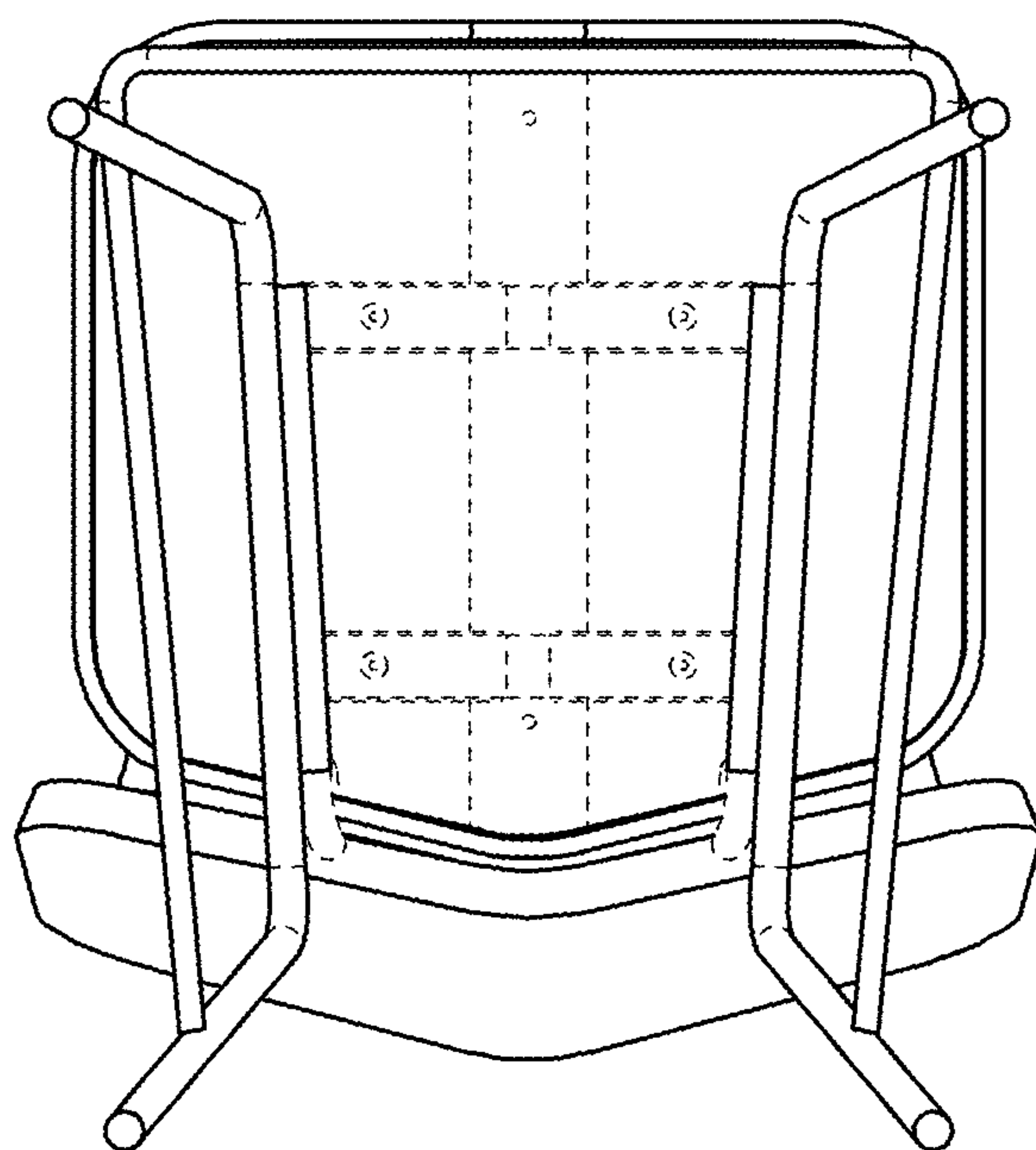


FIG. 7