



US00D974786S

(12) **United States Design Patent** (10) **Patent No.:** **US D974,786 S**
Kono et al. (45) **Date of Patent:** **** Jan. 10, 2023**

(54) **OUTDOOR CHAIR**

(71) Applicant: **Letsgetout Inc.**, Santa Monica, CA (US)

(72) Inventors: **Ann Yee Kono**, Santa Monica, CA (US); **Laura Neidorf Rogers**, Santa Monica, CA (US); **David Randall Knott**, Artarmon (AU); **Philip John Patrick Rose**, Artarmon (AU)

(73) Assignee: **Letsgetout Inc.**, Santa Monica, CA (US)

(**) Term: **15 Years**

(21) Appl. No.: **29/792,216**

(22) Filed: **Mar. 11, 2022**

(51) **LOC (14) Cl.** **06-01**

(52) **U.S. Cl.**
USPC **D6/368**

(58) **Field of Classification Search**
USPC D6/335, 367, 368, 716, 716.4, 347; D21/521
CPC A47B 5/00; A47C 1/02; A47C 1/14; A47C 1/03244; A47C 1/032; A47C 3/18; A47C 4/20; A47C 4/28; A47C 4/30; A47C 4/42; A47C 4/46; A47C 4/54; A47C 4/286; A47C 7/06; A47C 7/24; A47C 7/66; A47C 7/68; A47C 7/62; A47C 7/624; A47C 7/622; A47C 7/407; A47C 7/425; A47C 9/06; A47C 9/00; A47C 9/10; A47C 9/105; A47C 11/00; A47C 11/005; A47C 15/00; A47C 21/00; A47C 31/00; A47C 4/02; A01M 31/00; A01M 31/02; A01M 31/025; A45F 3/22; A45F 3/24; A47G 9/06; A61G 7/10; A63B 63/00; B60N 2/04; B25H 1/14; B25H 1/12; B25H 1/04; E04H 15/30; F16M 11/22; F42B 12/38; F41A 23/14; F41A 23/16; F41A 23/18; F41C 27/00; Y10S 135/901
See application file for complete search history.

(56) **References Cited**

U.S. PATENT DOCUMENTS

D279,336 S *	6/1985	Duncan	D6/368
D418,317 S *	1/2000	Rand	D6/368
D421,191 S *	2/2000	Rand	D6/368
D421,192 S *	2/2000	White	D6/716
D440,784 S	4/2001	Ambasz	
D453,080 S	1/2002	Lantigua et al.	
D456,625 S	5/2002	Frenkler et al.	
D482,205 S	11/2003	Englisch et al.	
D485,083 S	1/2004	Frinier	
D513,896 S *	1/2006	Krake	D6/368
D522,766 S	6/2006	Russell et al.	
D598,668 S	8/2009	Pluer	
D621,632 S	8/2010	Ritter	
D693,590 S	11/2013	Irvine	
D764,824 S	8/2016	Miller et al.	
D778,629 S *	2/2017	Le Gal	D6/368
D798,626 S	10/2017	Cohen	
D802,956 S	11/2017	Neil	
D803,595 S	11/2017	Holland	
D804,878 S	12/2017	Nakamura et al.	
D805,317 S	12/2017	Lowsky	
D806,423 S *	1/2018	Silva	D6/368
D902,617 S *	11/2020	Sullivan	D6/368
D911,731 S *	3/2021	Sullivan	D6/368
D912,423 S *	3/2021	Sullivan	D6/368
D929,142 S *	8/2021	Sullivan	D6/368
D941,600 S *	1/2022	Sullivan	D6/368
D955,131 S *	6/2022	Sullivan	D6/368
D955,132 S *	6/2022	Sullivan	D6/368
2003/0025360 A1 *	2/2003	Liu	A47C 4/28 297/16.2
2010/0314914 A1 *	12/2010	Mazzola	A47C 7/008 297/16.2
2016/0100688 A1 *	4/2016	Grace	A47C 1/14 297/17

* cited by examiner

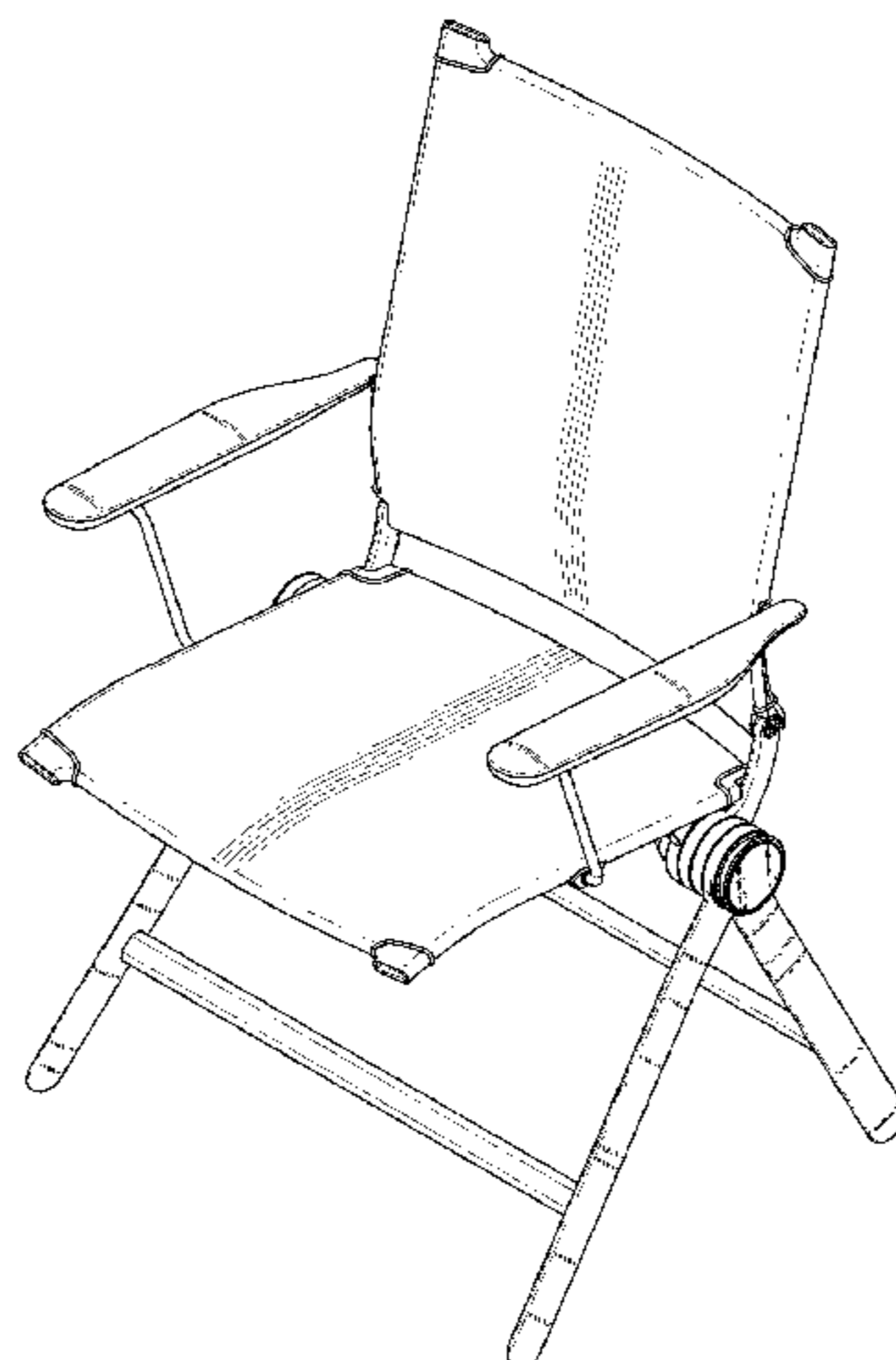
FOREIGN PATENT DOCUMENTS

CN	203506111 U *	4/2014	A47C 21/00
----	---------------	--------------	------------

Primary Examiner — Kevin K Rudzinski

Assistant Examiner — Paul D Bohannon

(74) *Attorney, Agent, or Firm* — Knobbe, Martens, Olson & Bear, LLP



(57)

CLAIM

The ornamental design for an outdoor chair, as shown and described.

DESCRIPTION

FIG. 1 is a front perspective view of an outdoor chair, according to a first embodiment of my new design, shown in a first position of use;

FIG. 2 is a rear perspective view thereof;

FIG. 3 is a front view thereof;

FIG. 4 is a rear view thereof;

FIG. 5 is a left-side view thereof;

FIG. 6 is a right-side view thereof;

FIG. 7 is a top view thereof;

FIG. 8 is a bottom view thereof;

FIG. 9 is a front perspective view of an outdoor chair, according to a second embodiment of my new design, shown in a first position of use;

FIG. 10 is a rear perspective view thereof;

FIG. 11 is a front view thereof;

FIG. 12 is a rear view thereof;

FIG. 13 is a left-side view thereof;

FIG. 14 is a right-side view thereof;

FIG. 15 is a top view thereof;

FIG. 16 is a bottom view thereof;

FIG. 17 is a front perspective view of an outdoor chair, according to the first embodiment of my new design, shown in a second position of use;

FIG. 18 is a rear perspective view thereof;

FIG. 19 is a front view thereof;

FIG. 20 is a rear view thereof;

FIG. 21 is a left-side view thereof;

FIG. 22 is a right-side view thereof;

FIG. 23 is a top view thereof;

FIG. 24 is a bottom view thereof;

FIG. 25 is a front perspective view of an outdoor chair, according to the second embodiment of my new design, shown in a second position of use;

FIG. 26 is a rear perspective view thereof;

FIG. 27 is a front view thereof;

FIG. 28 is a rear view thereof;

FIG. 29 is a left-side view thereof;

FIG. 30 is a right-side view thereof;

FIG. 31 is a top view thereof;

FIG. 32 is a bottom view thereof;

FIG. 33 is a front perspective view of an outdoor chair, according to the first embodiment of my new design, shown in a third position of use;

FIG. 34 is a rear perspective view thereof;

FIG. 35 is a front view thereof;

FIG. 36 is a rear view thereof;

FIG. 37 is a left-side view thereof;

FIG. 38 is a right-side view thereof;

FIG. 39 is a top view thereof; and,

FIG. 40 is a bottom view thereof.

1 Claim, 40 Drawing Sheets

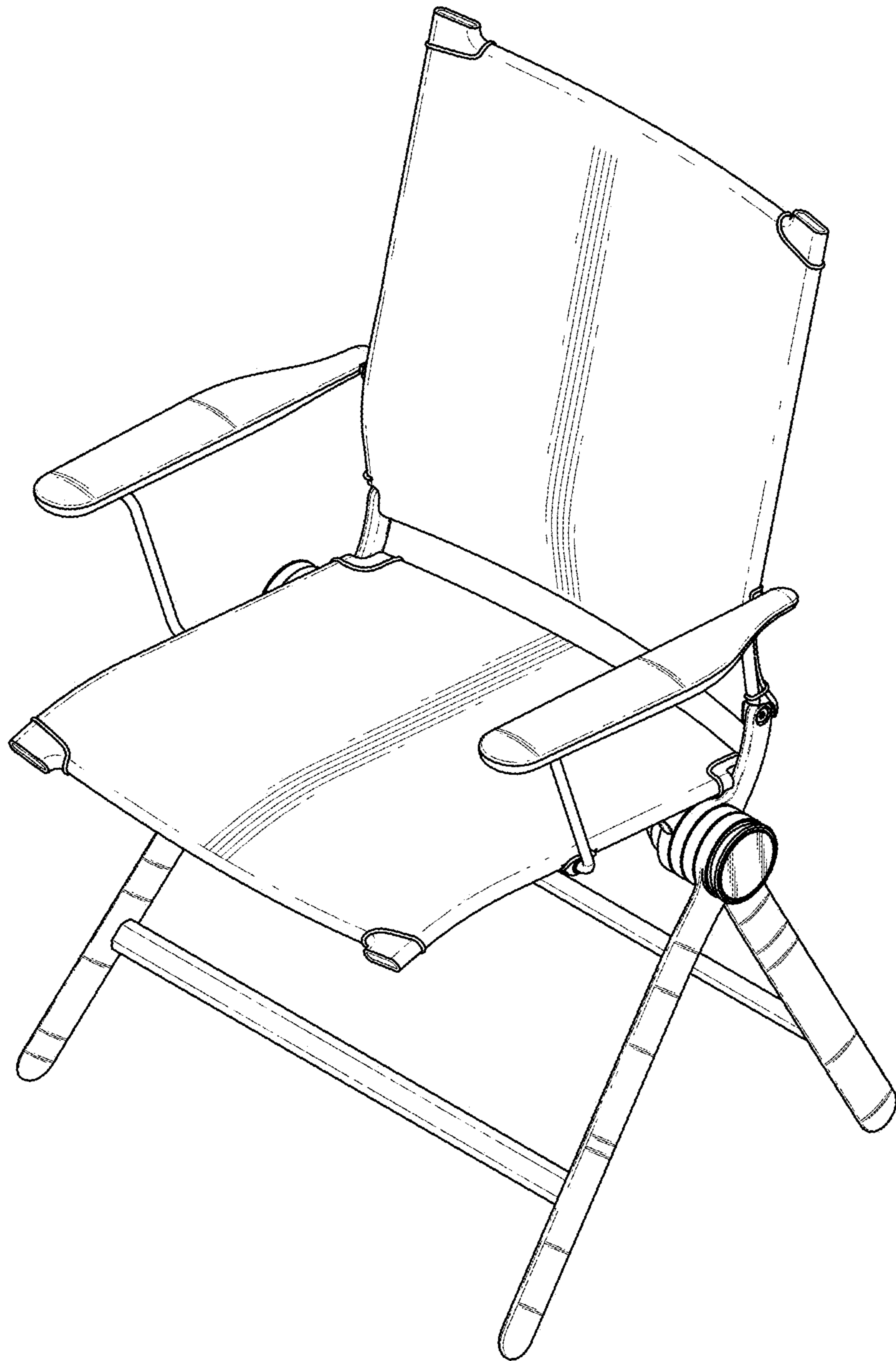


FIG. 1

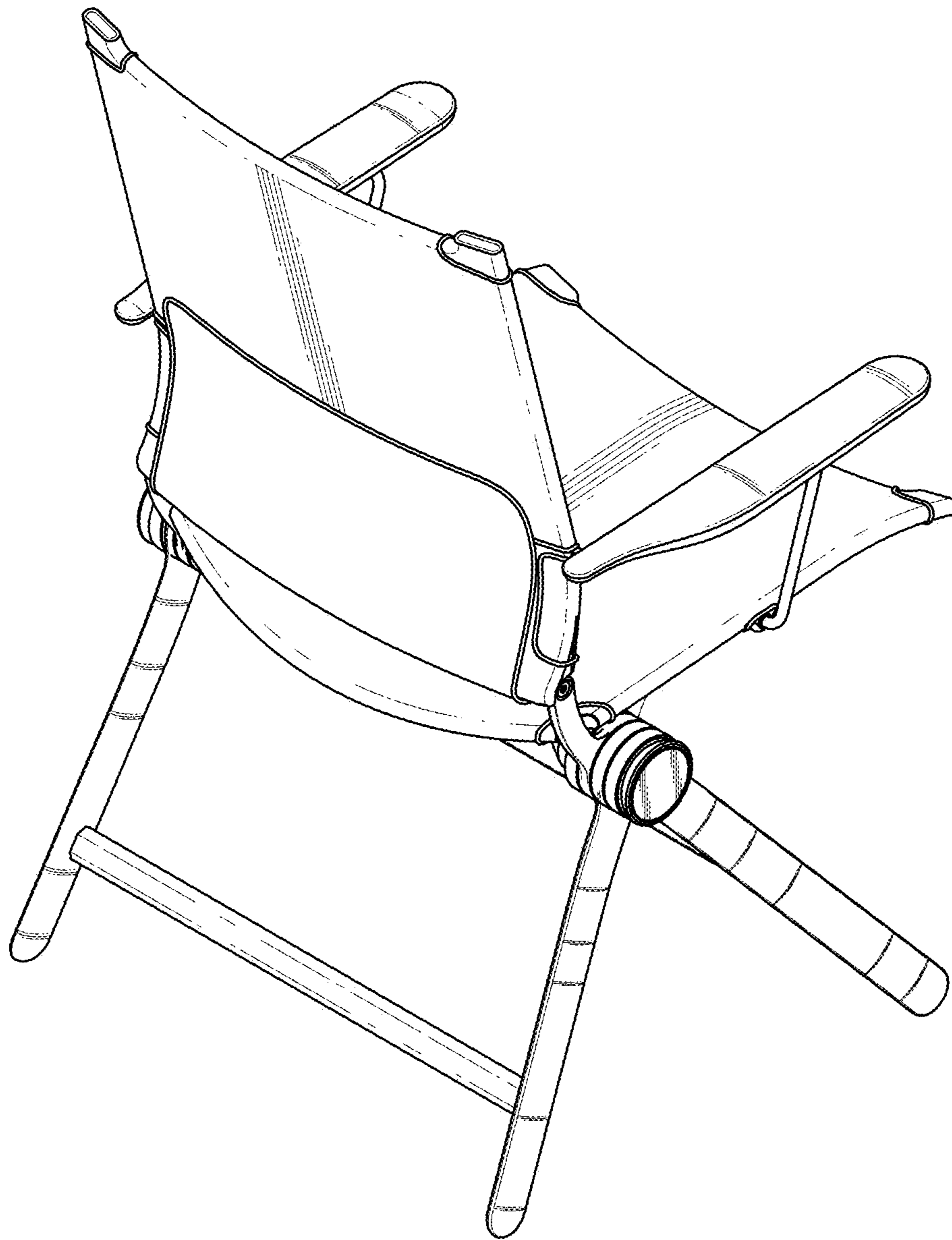


FIG. 2

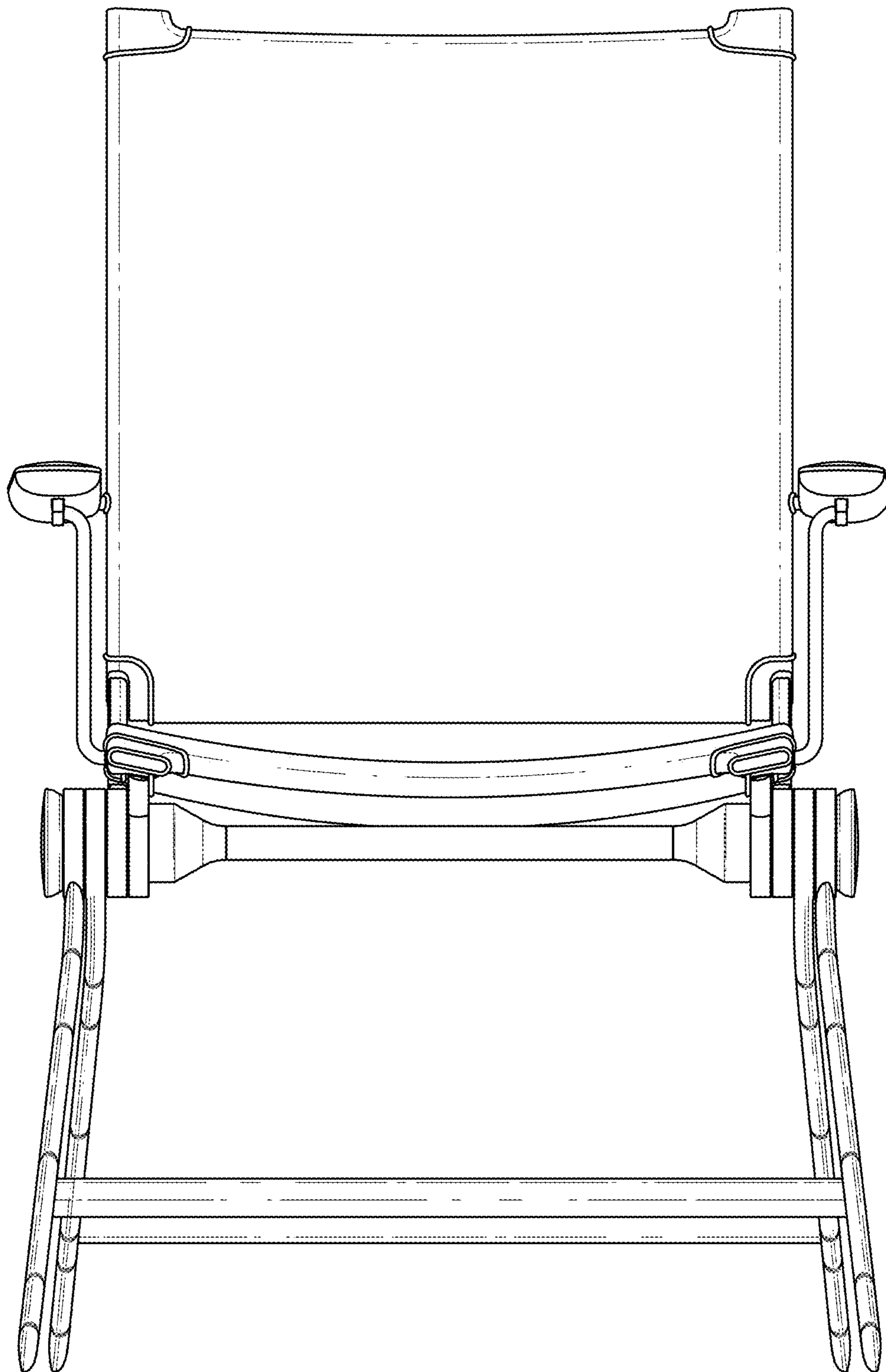


FIG. 3

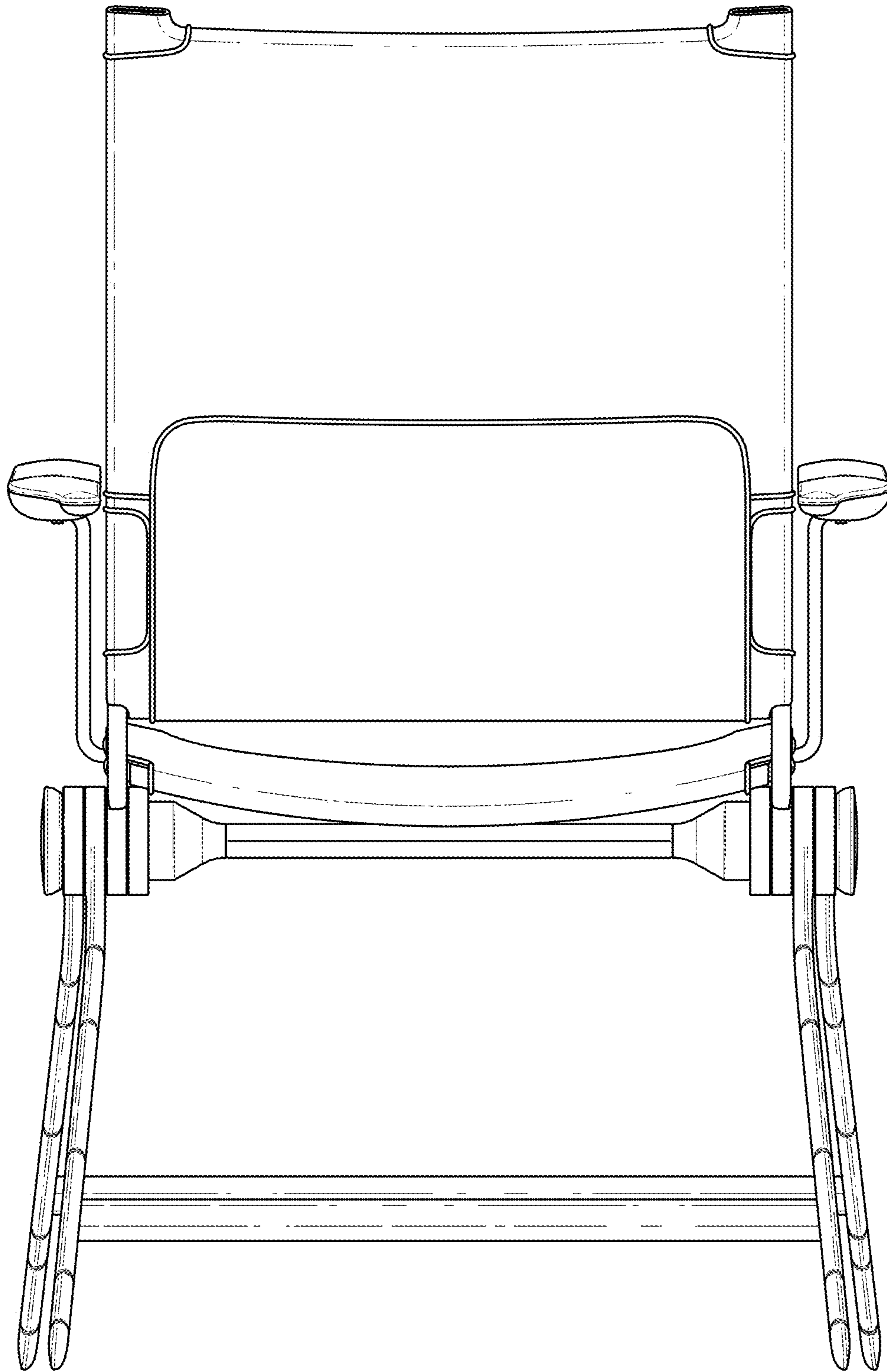


FIG. 4

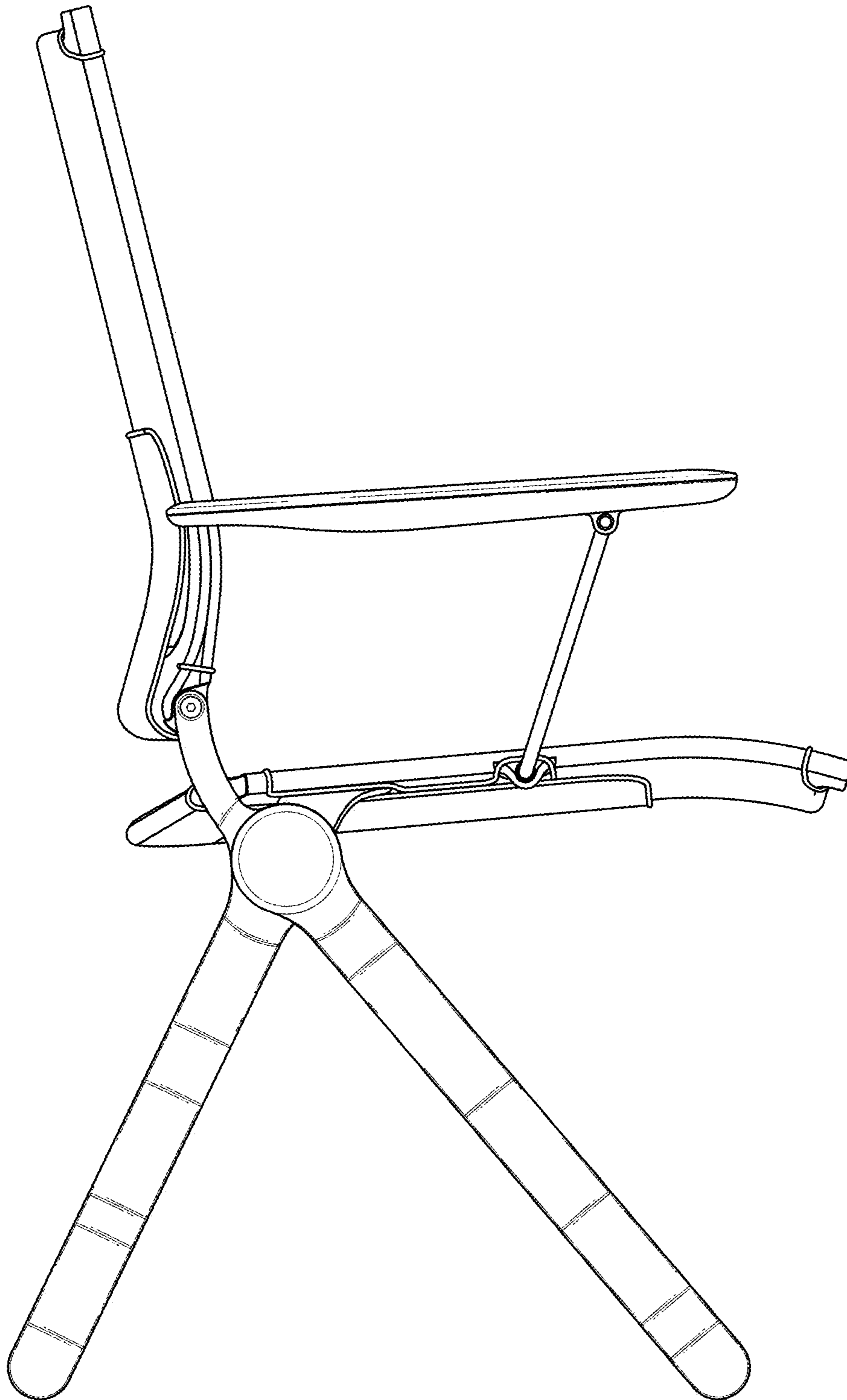


FIG. 5

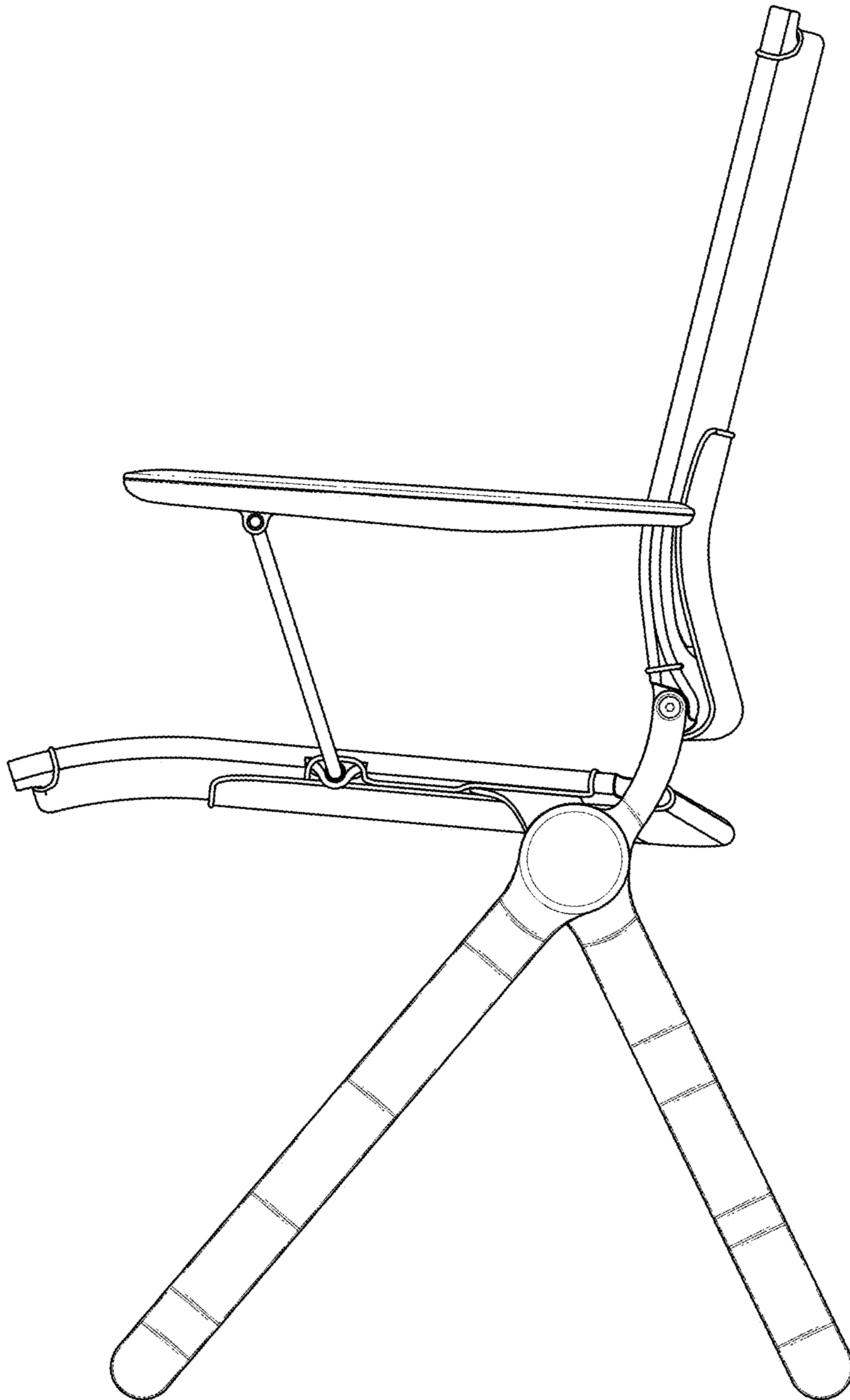


FIG. 6

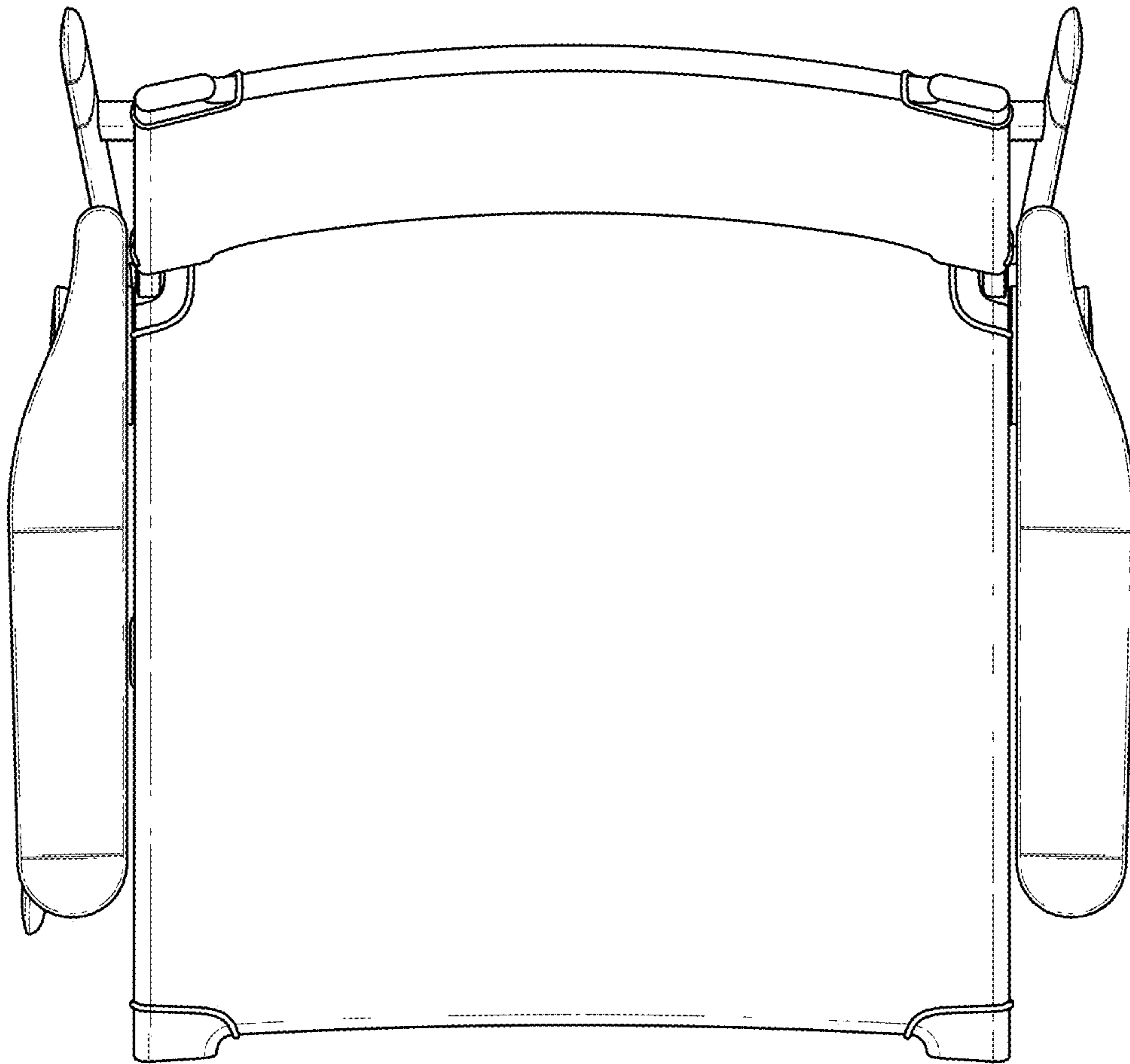


FIG. 7

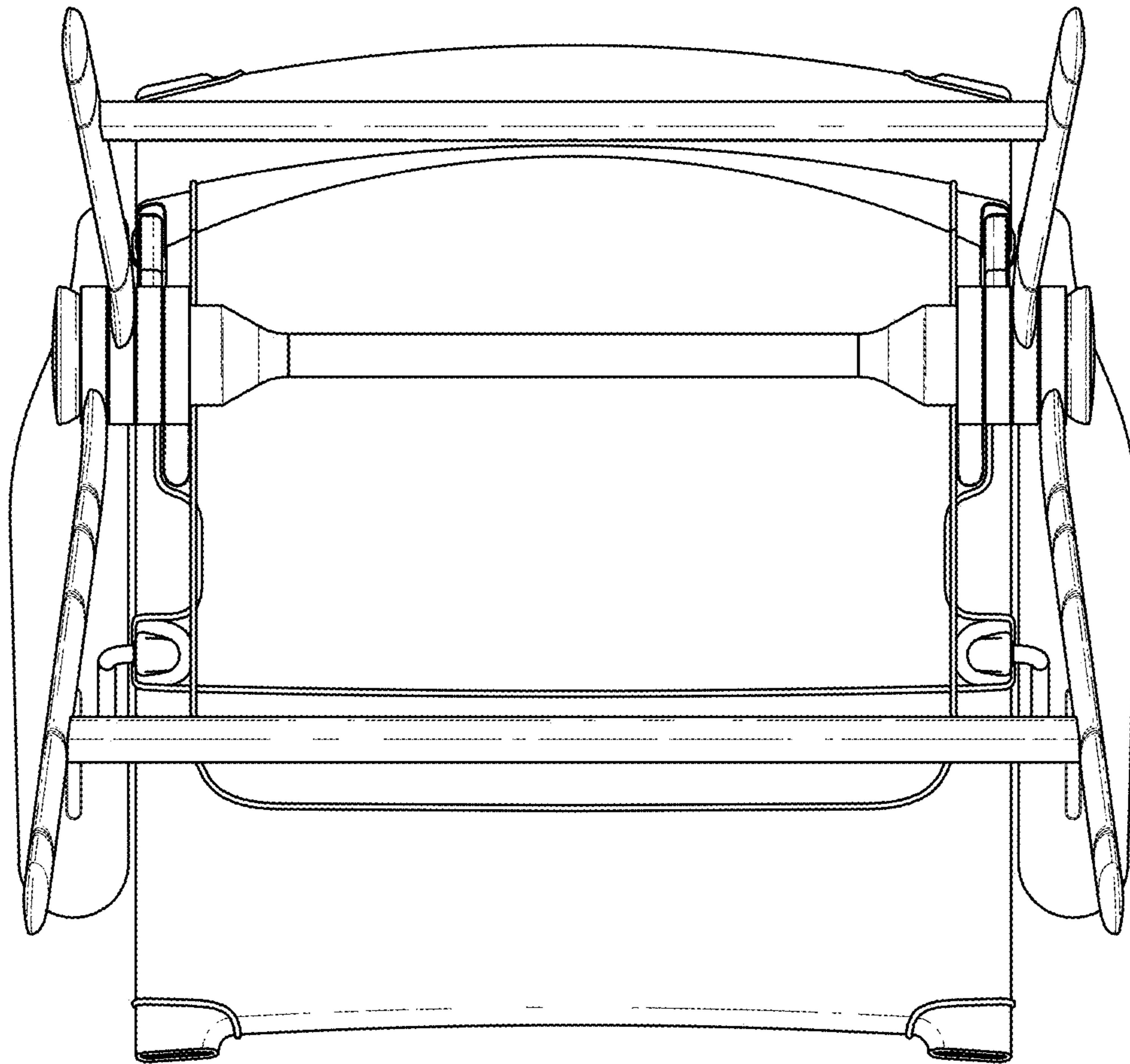


FIG. 8

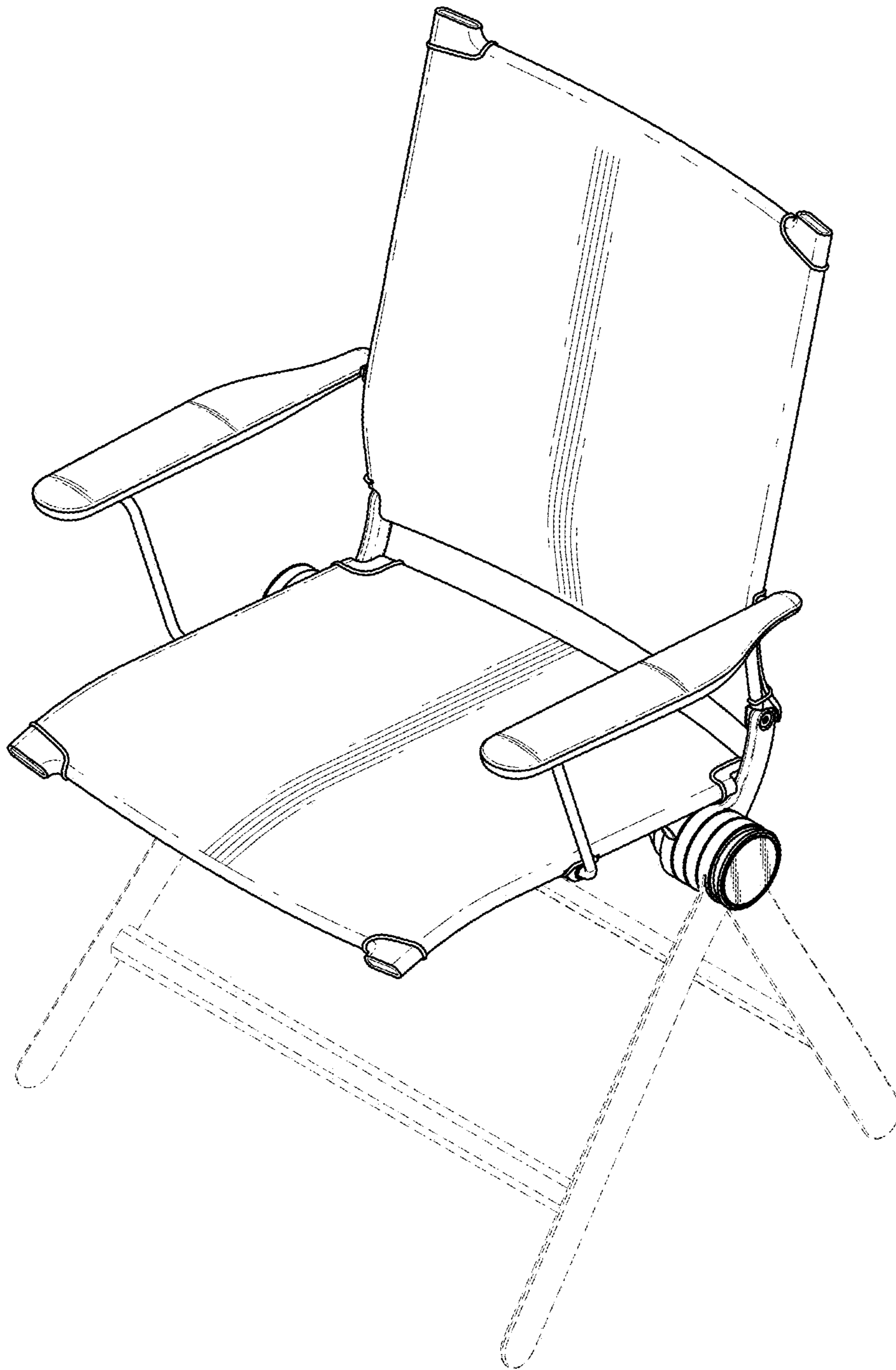


FIG. 9

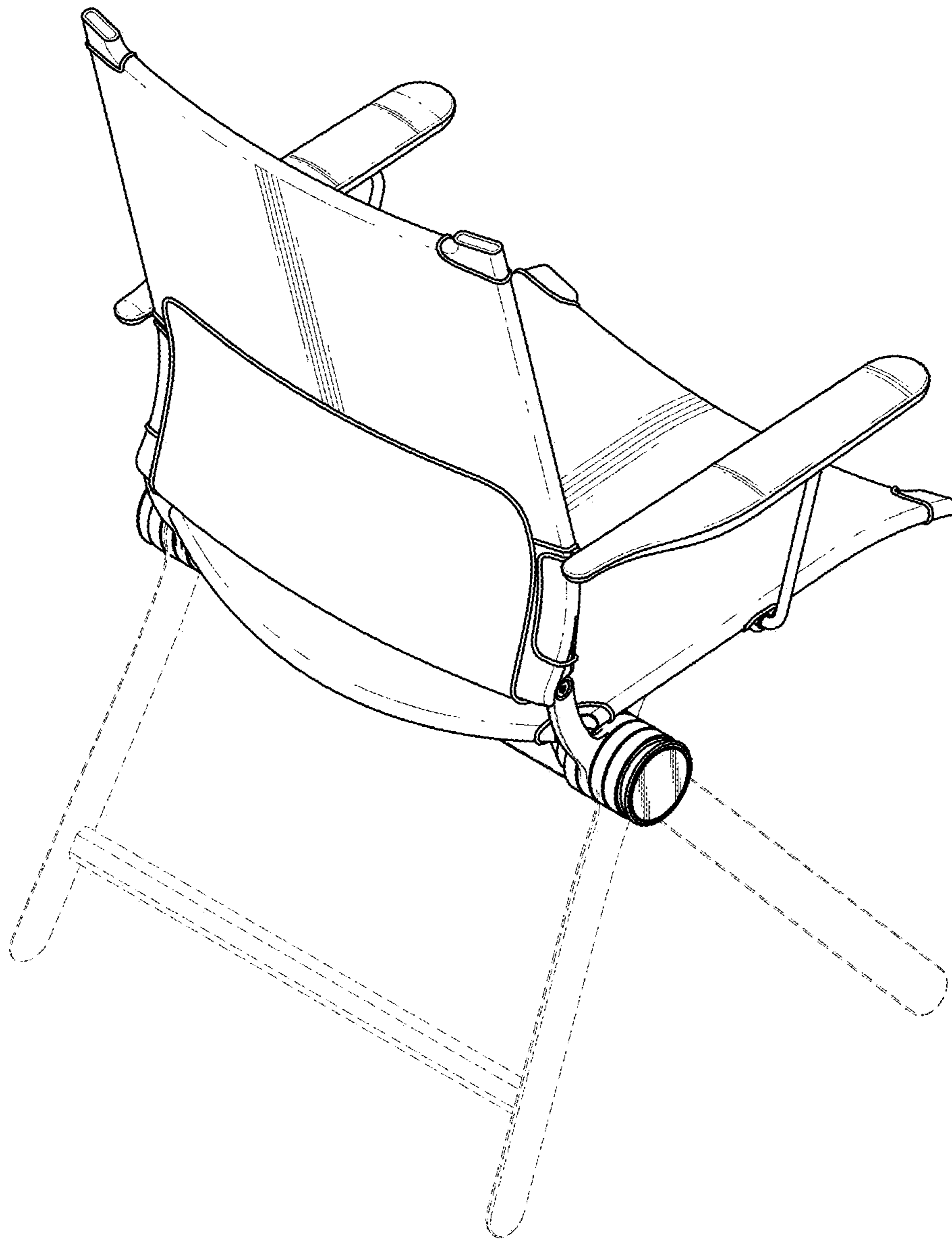


FIG. 10

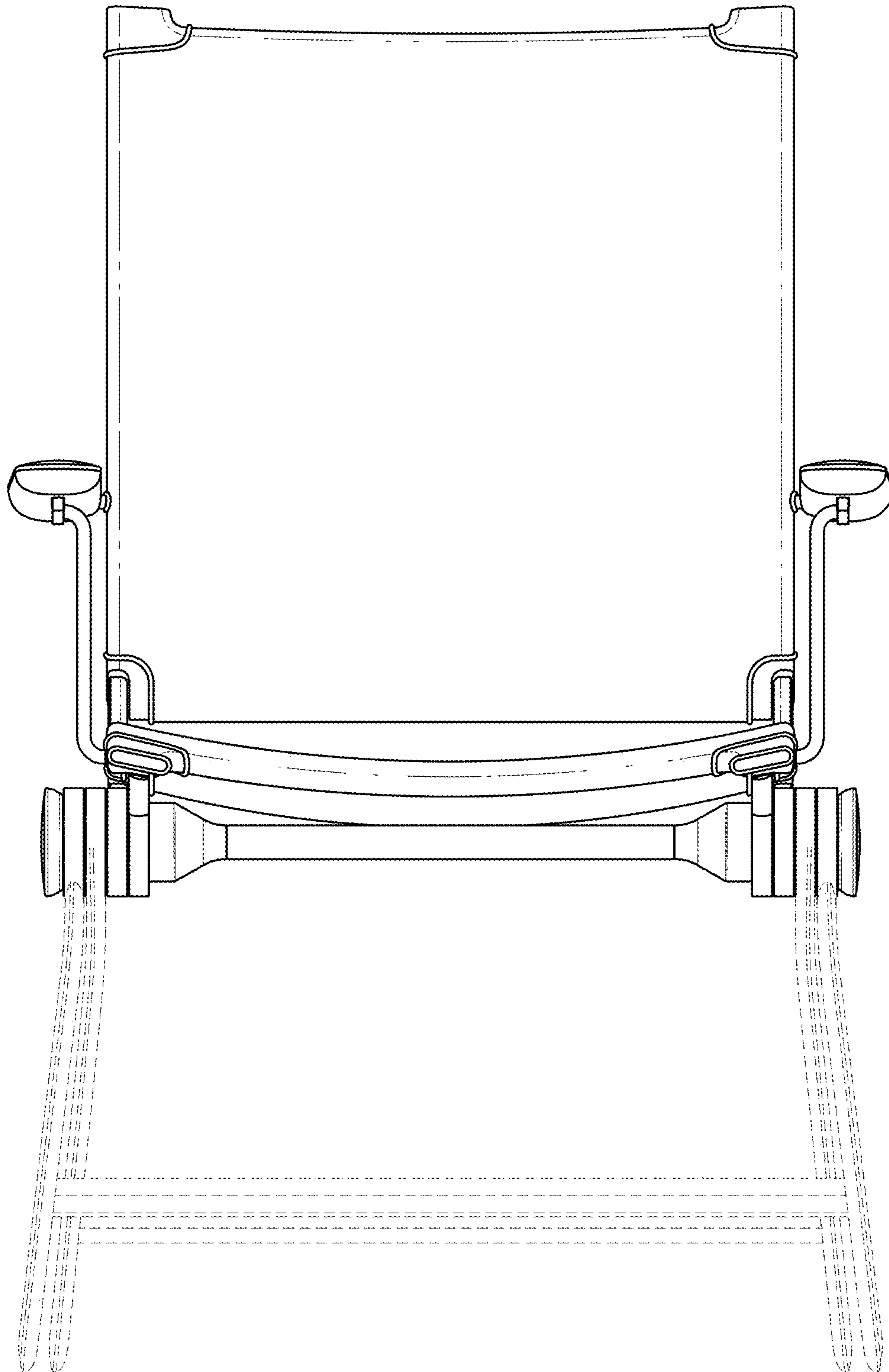


FIG. 11

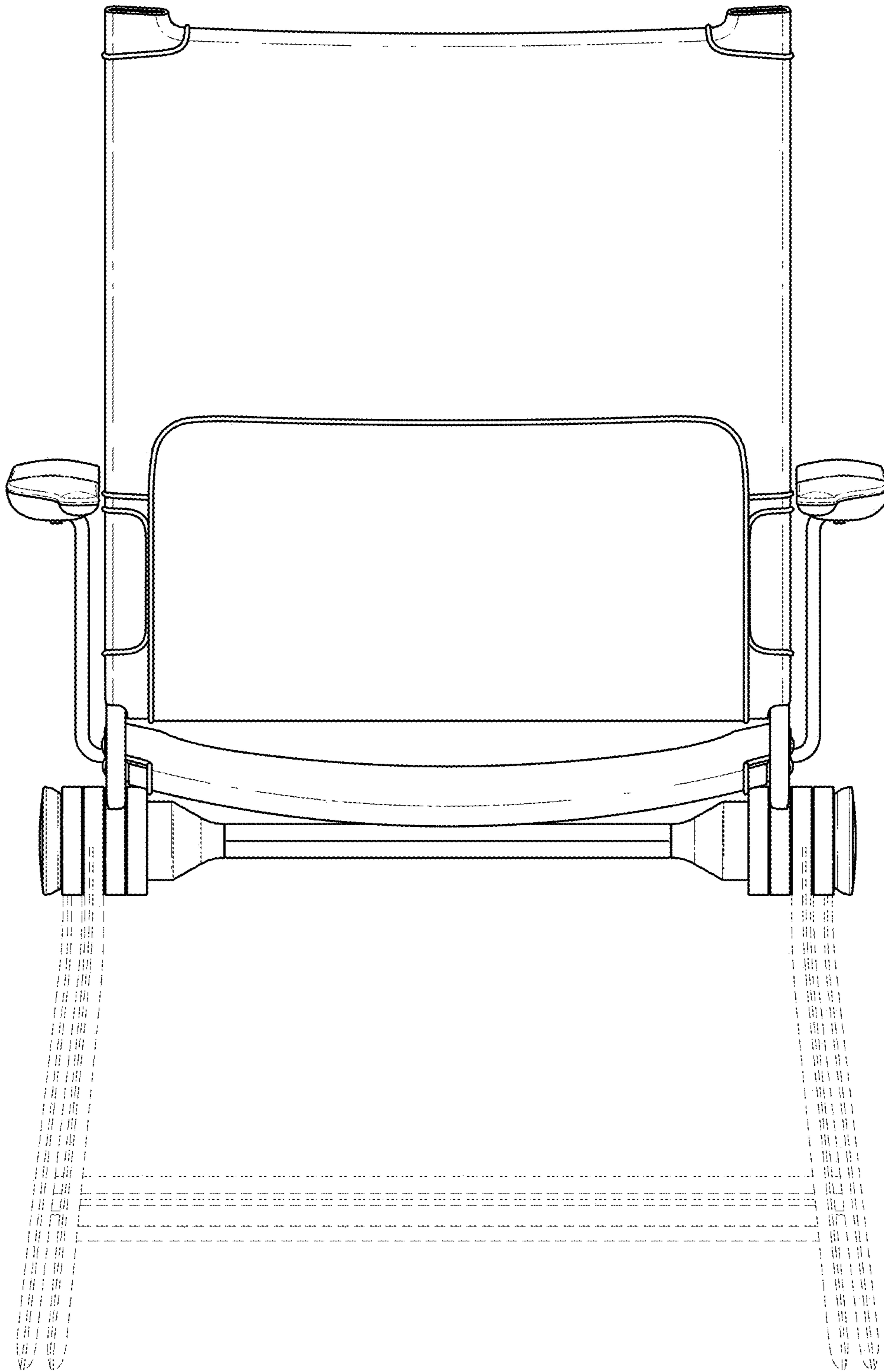


FIG. 12

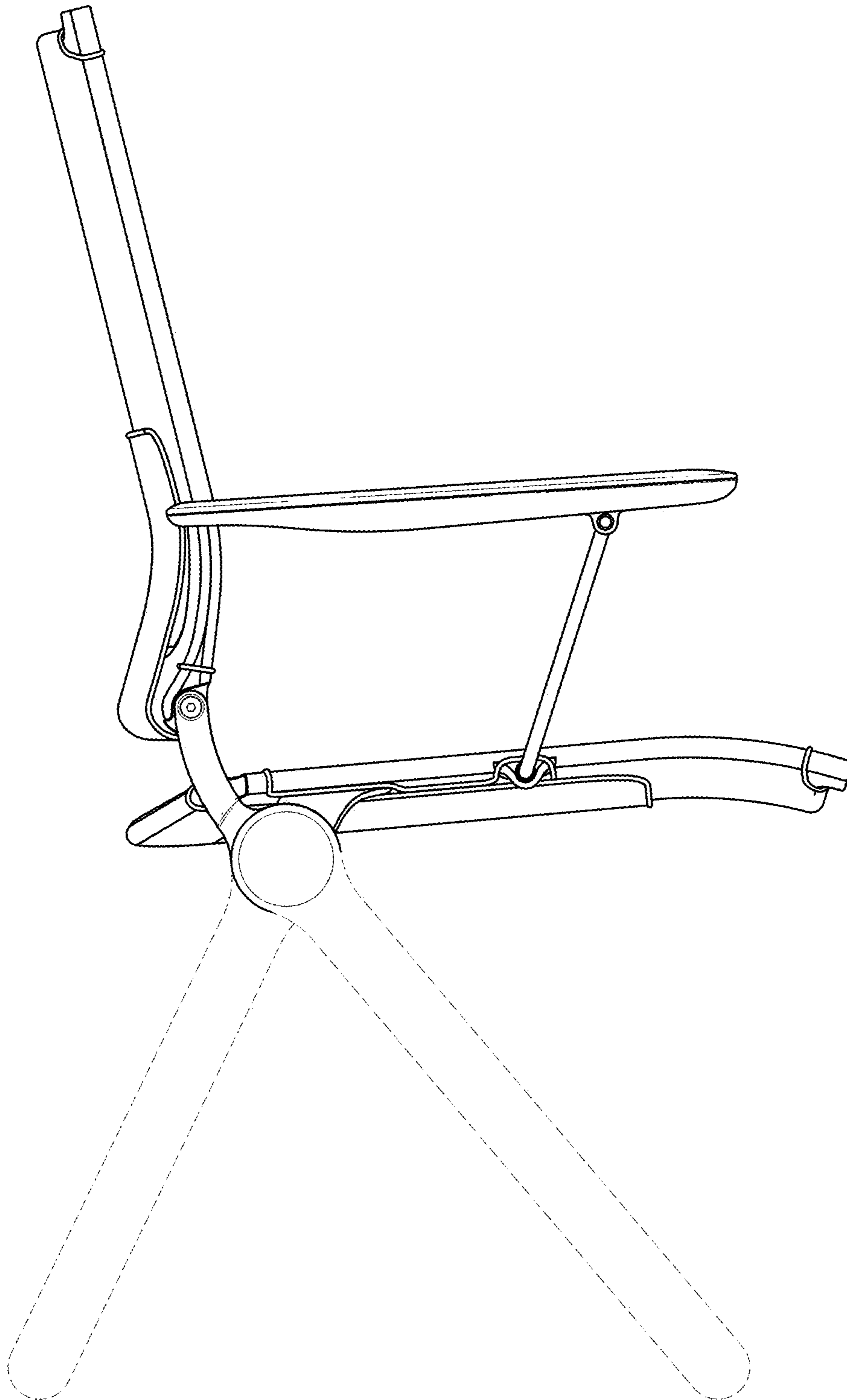


FIG. 13

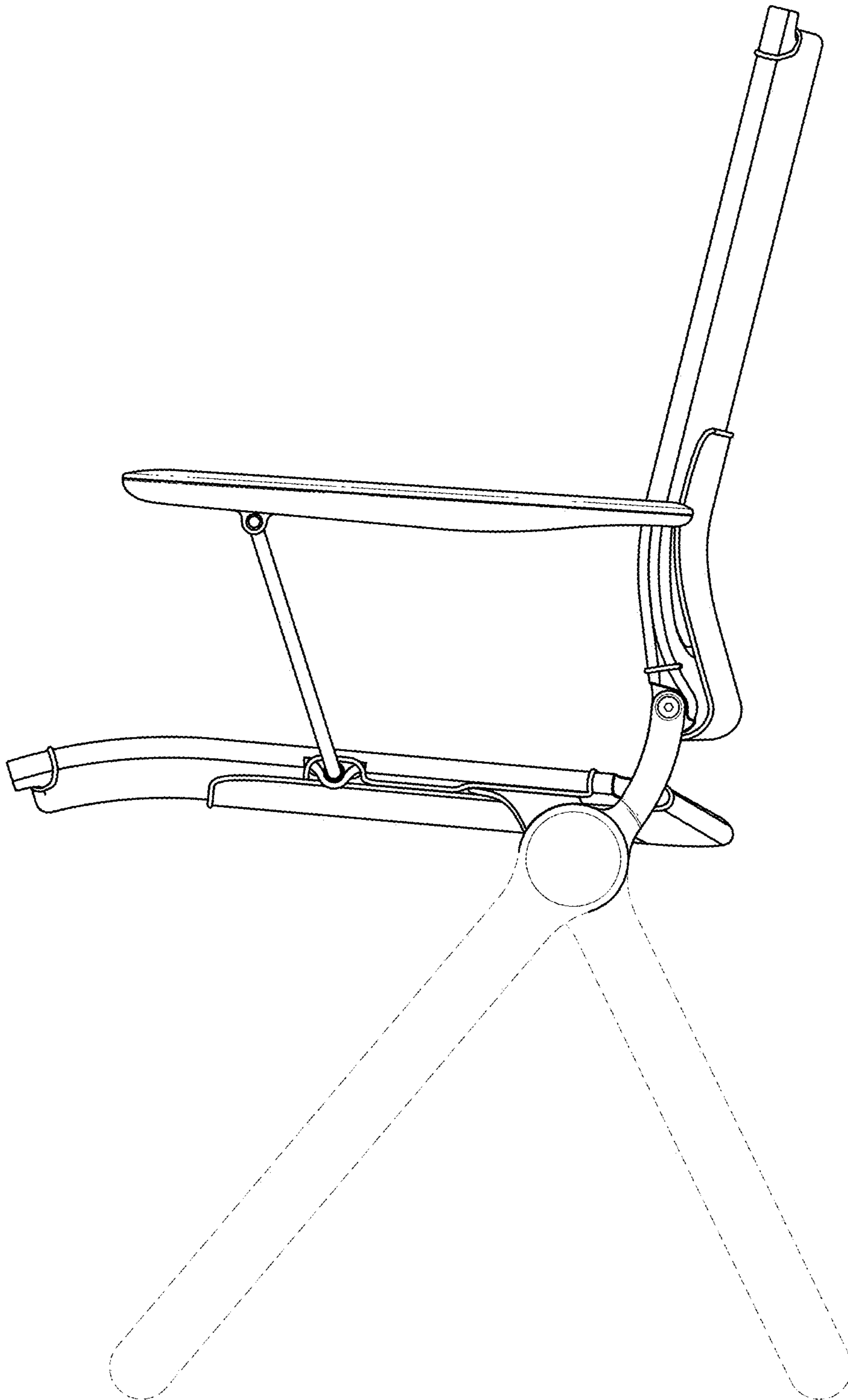


FIG. 14

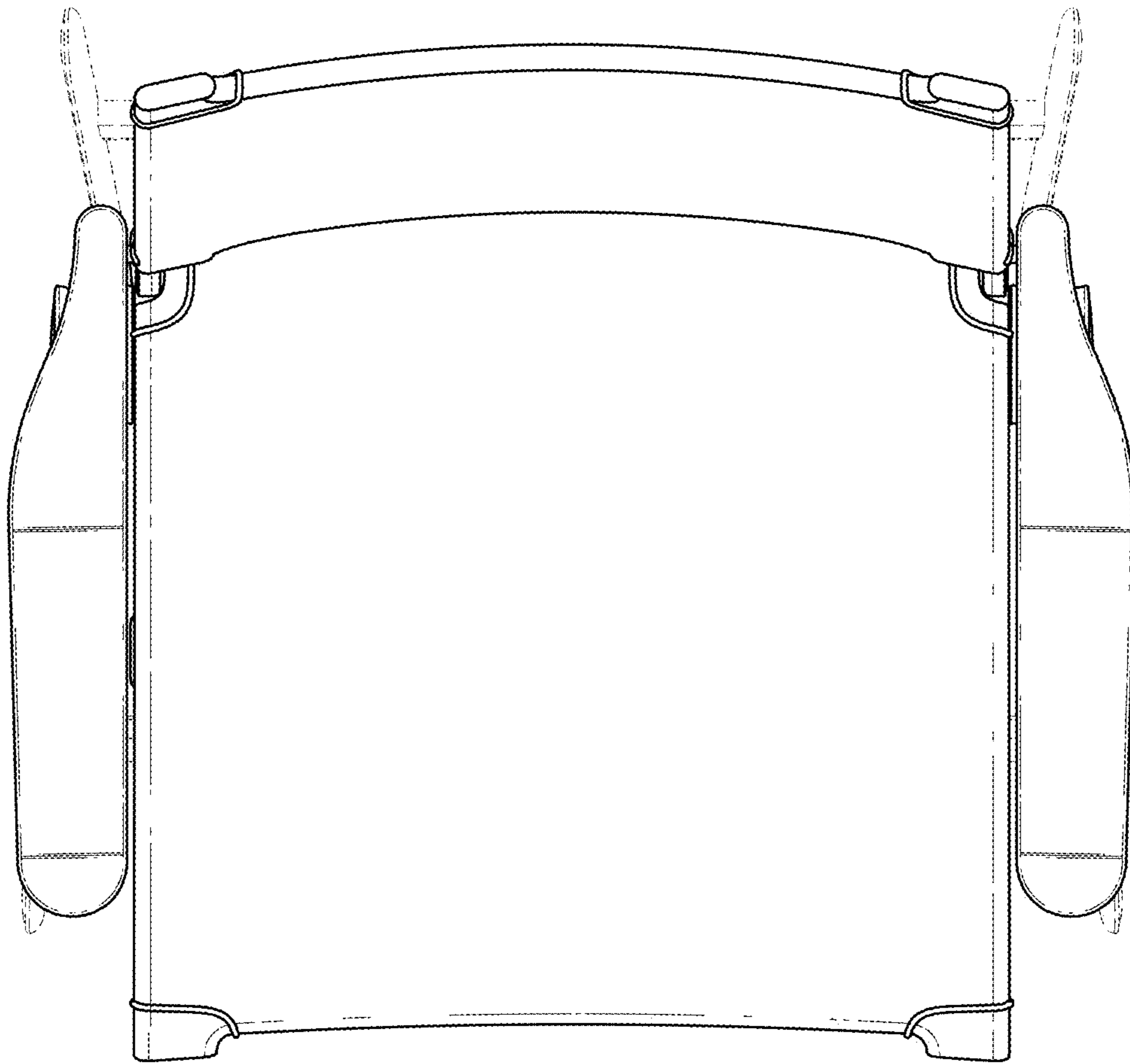


FIG. 15

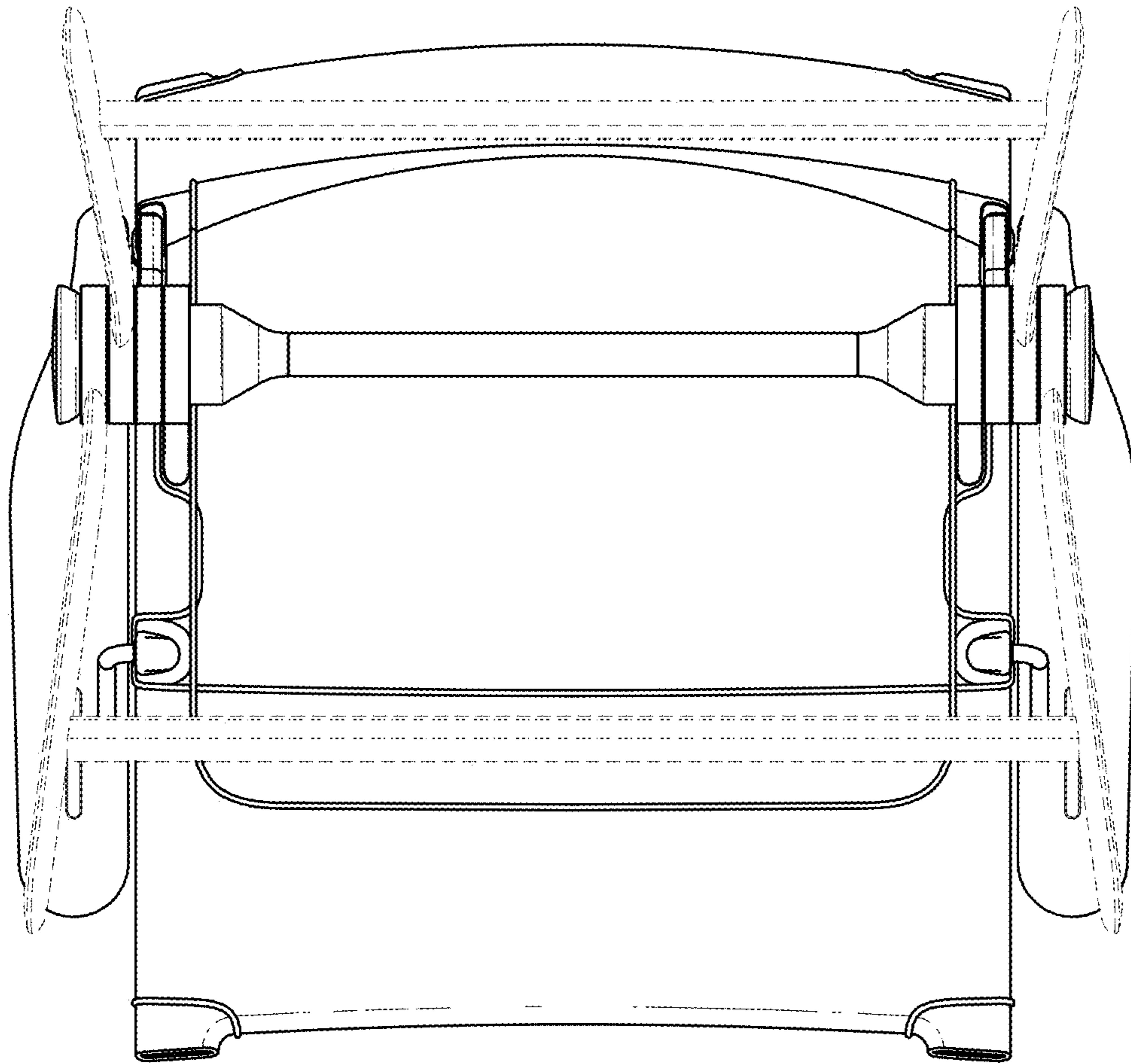


FIG. 16

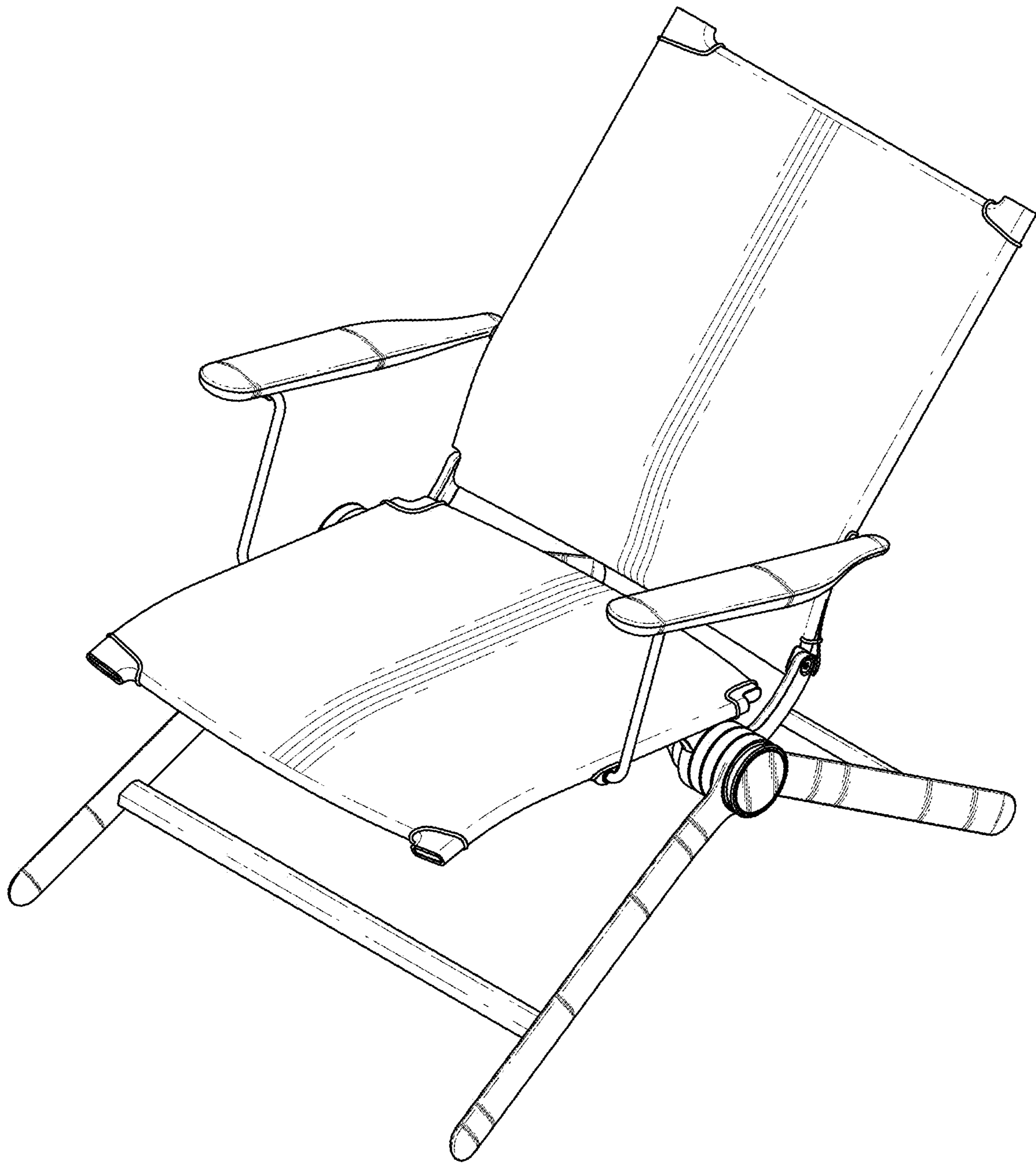


FIG. 17

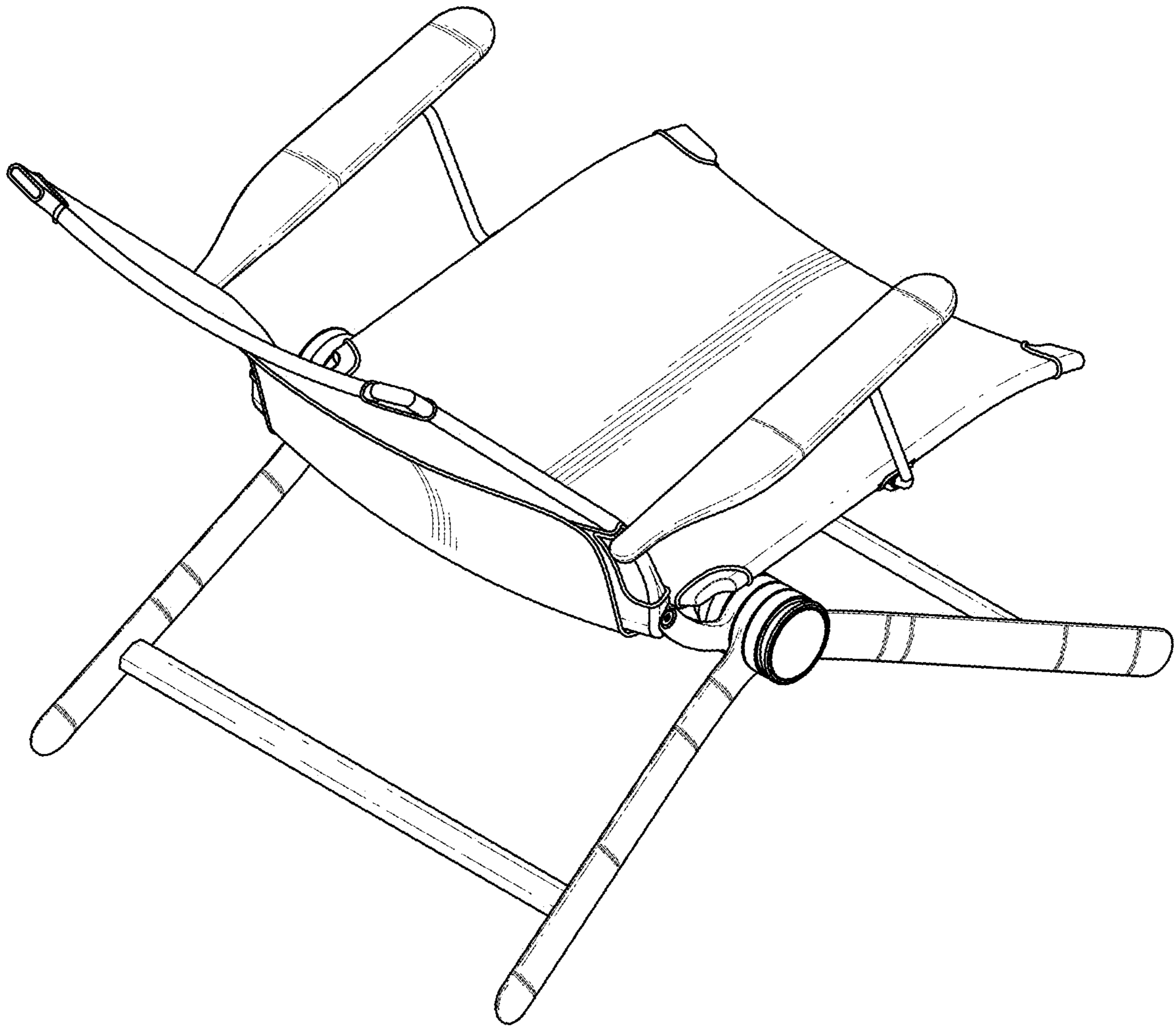


FIG. 18

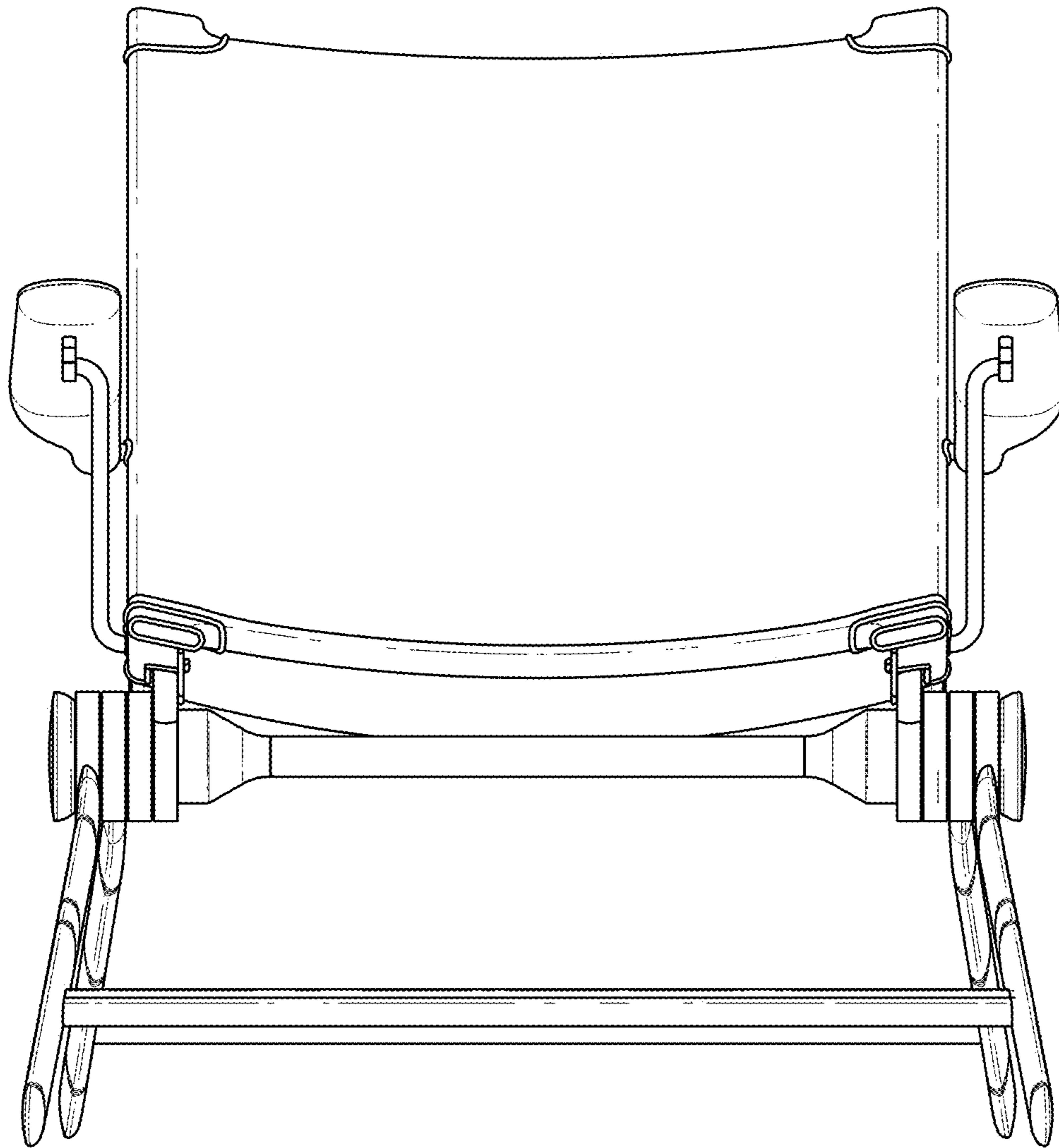


FIG. 19

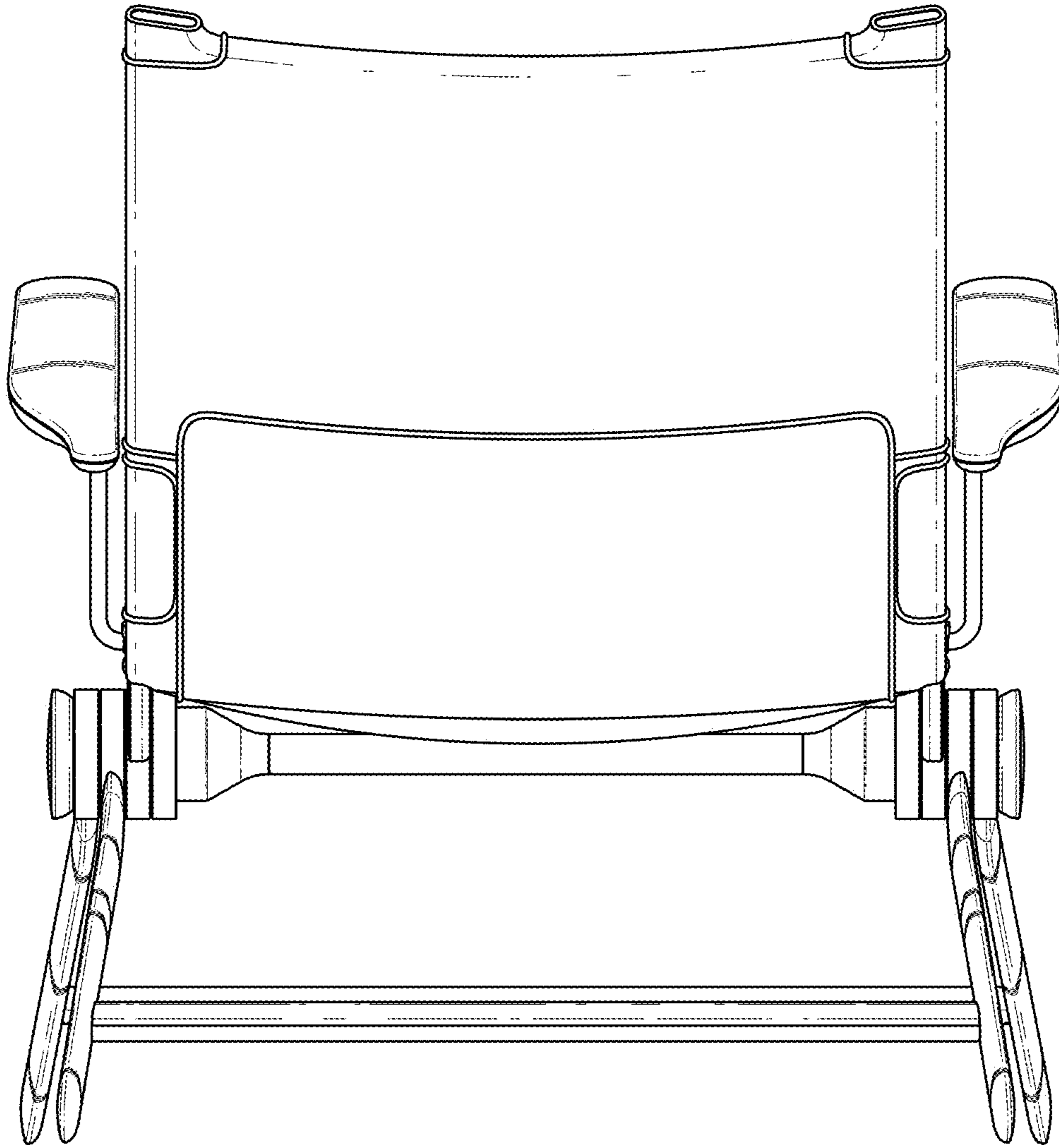


FIG. 20

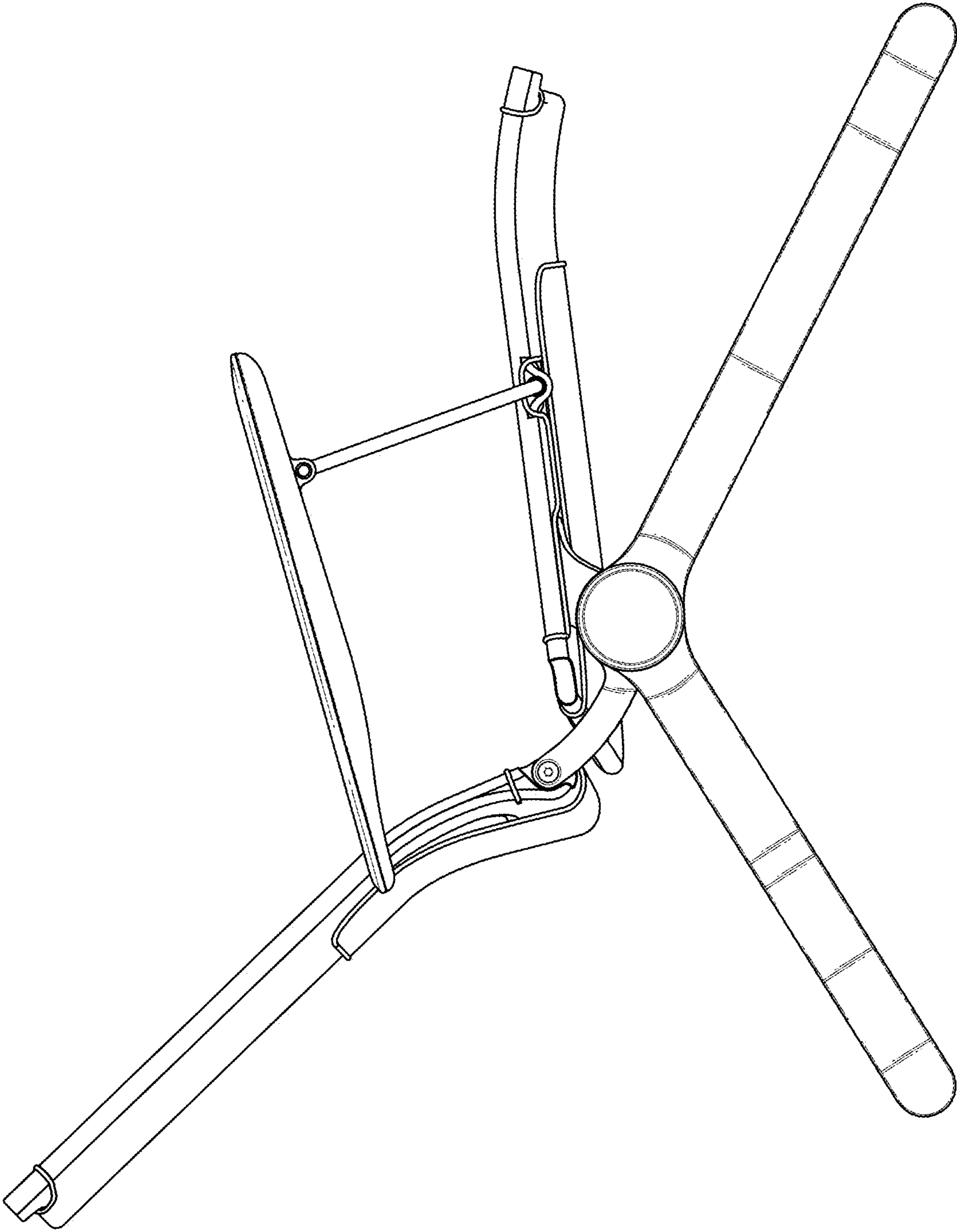


FIG. 21

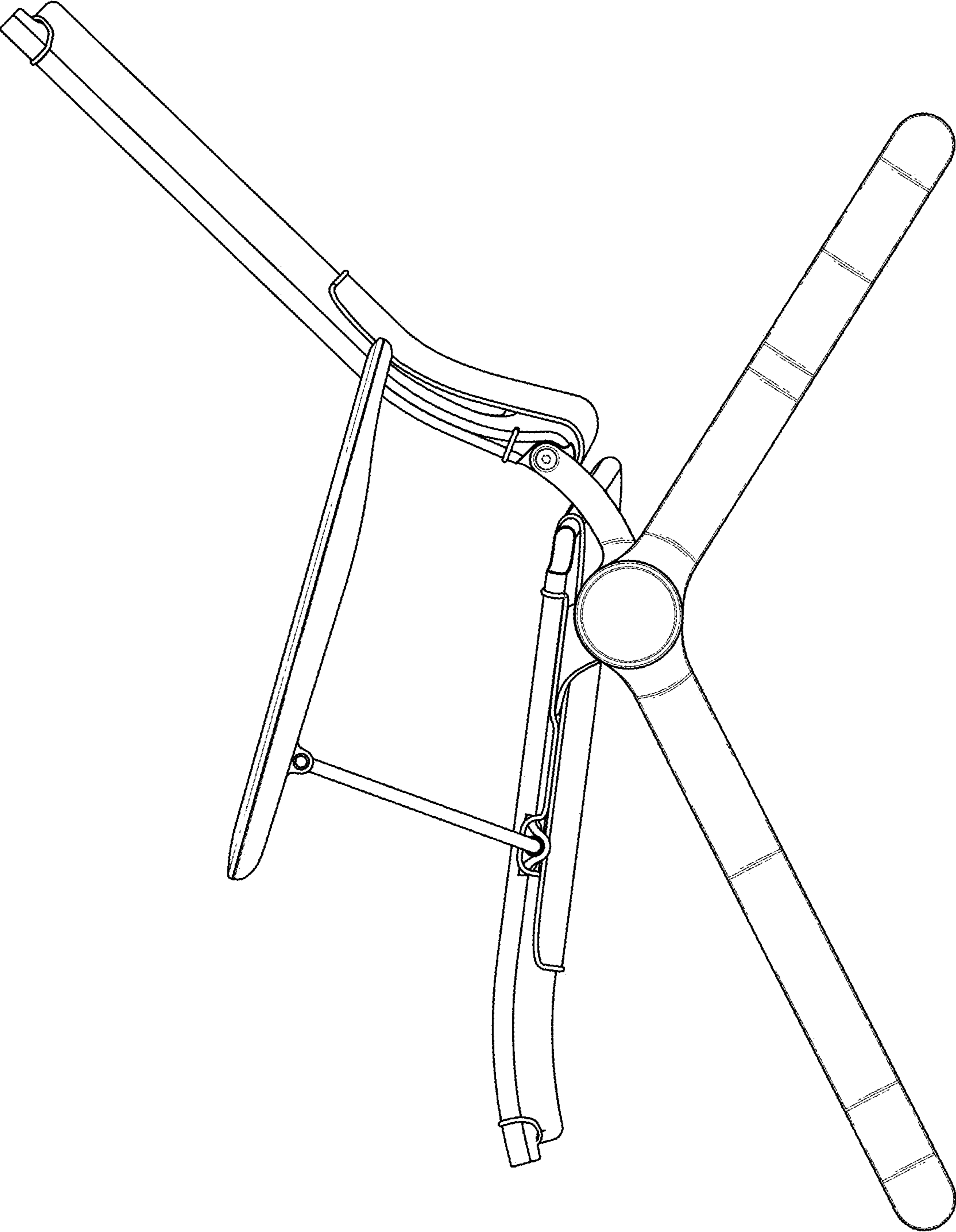


FIG. 22

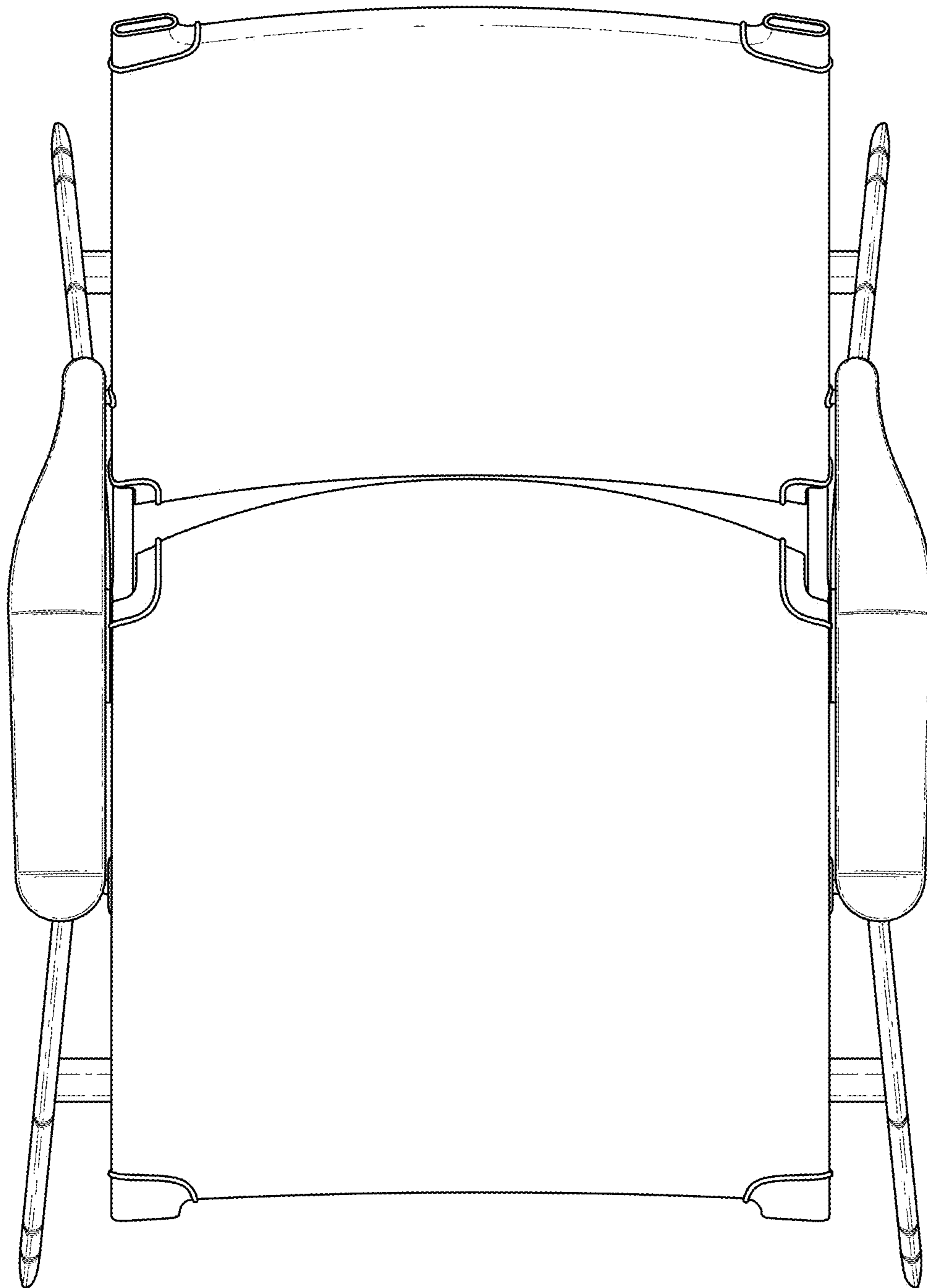


FIG. 23

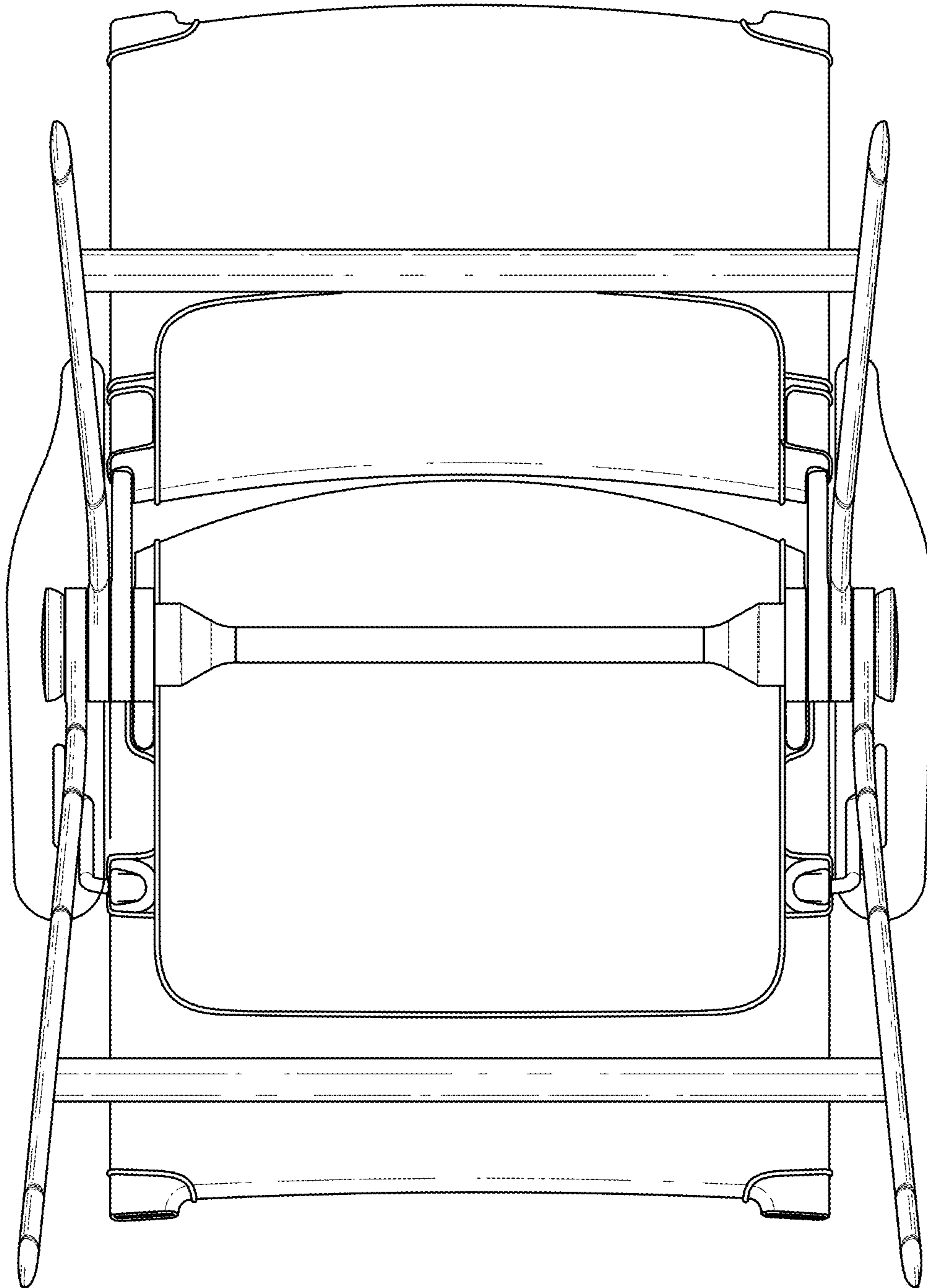


FIG. 24

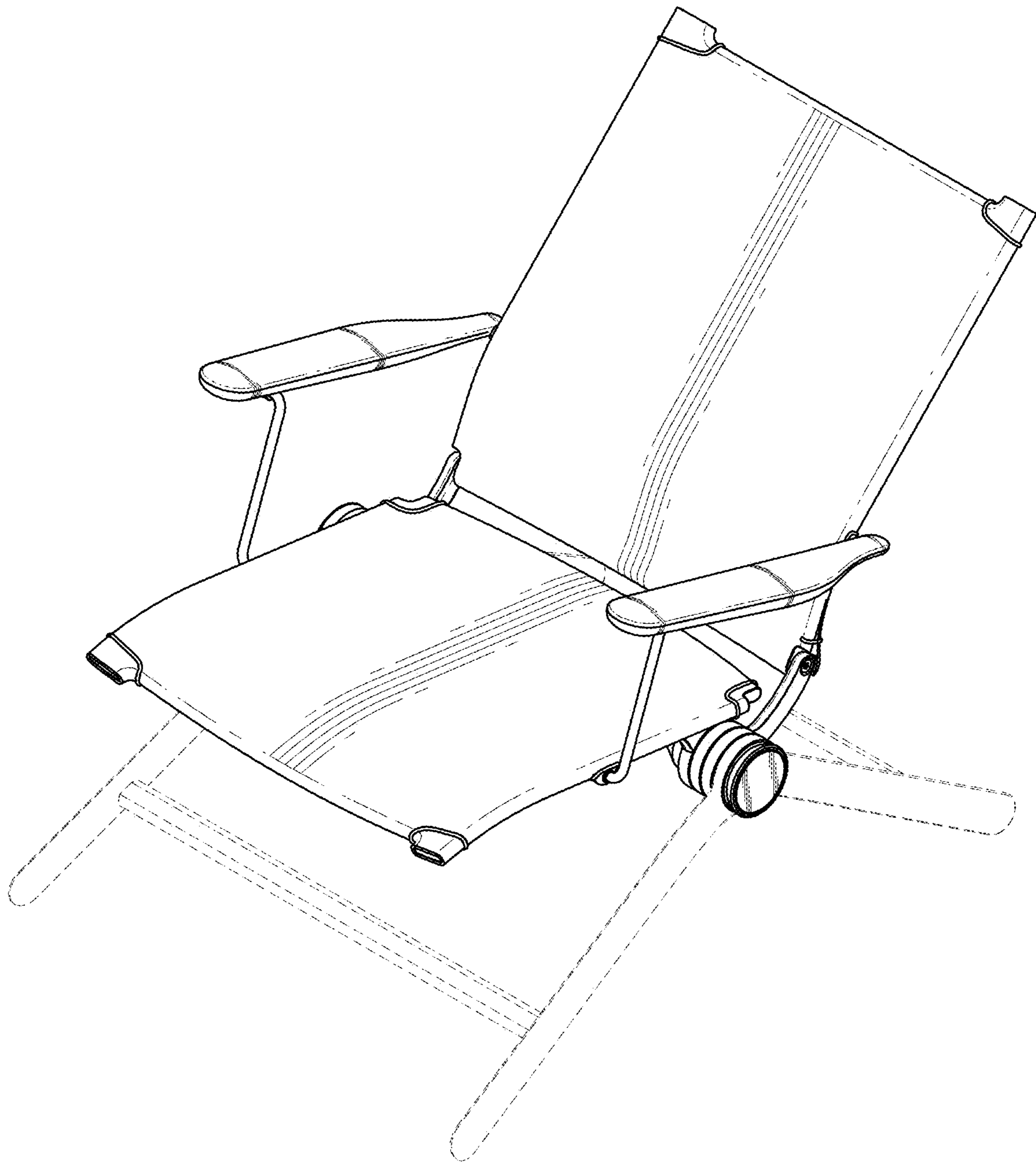


FIG. 25

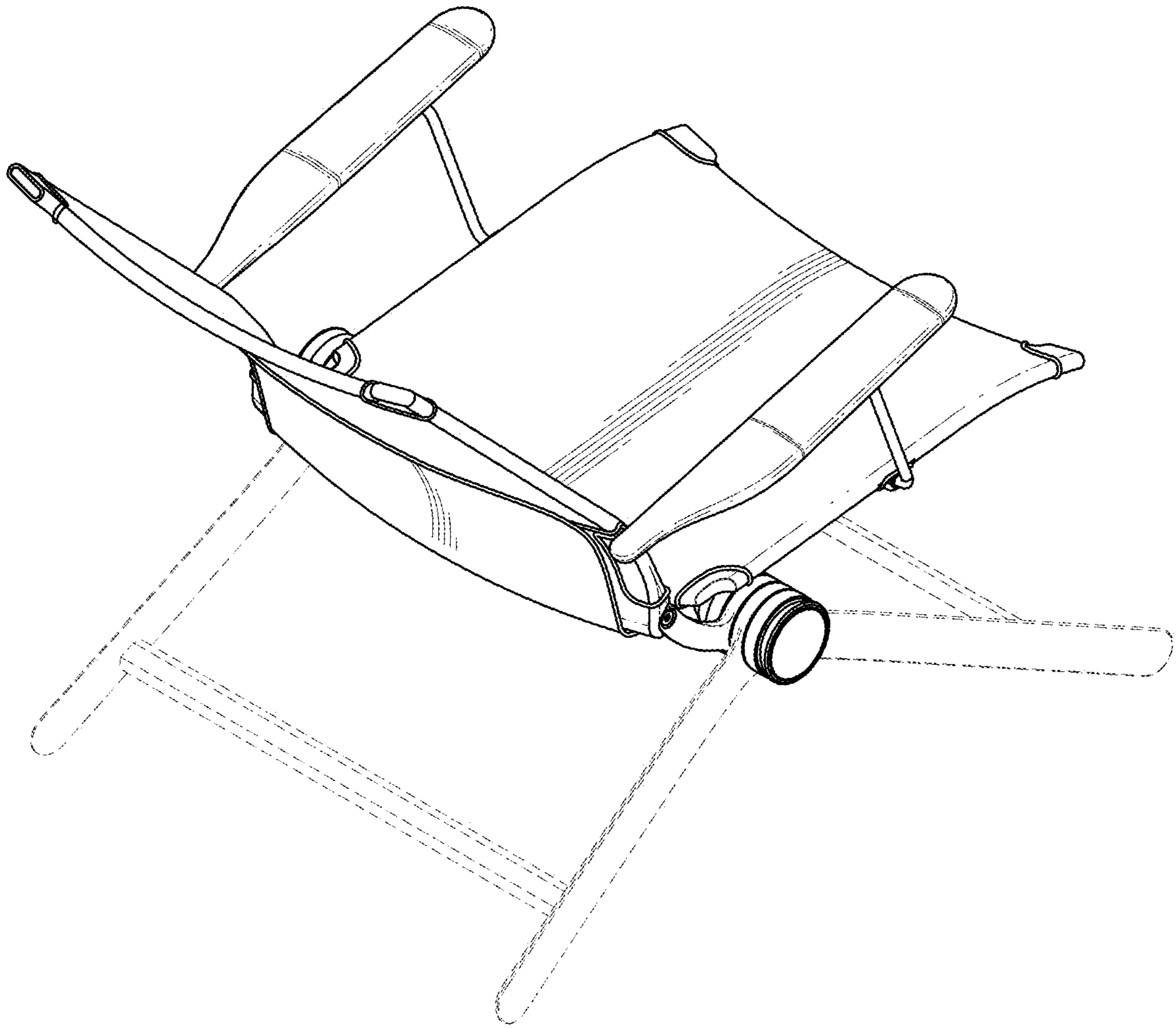


FIG. 26

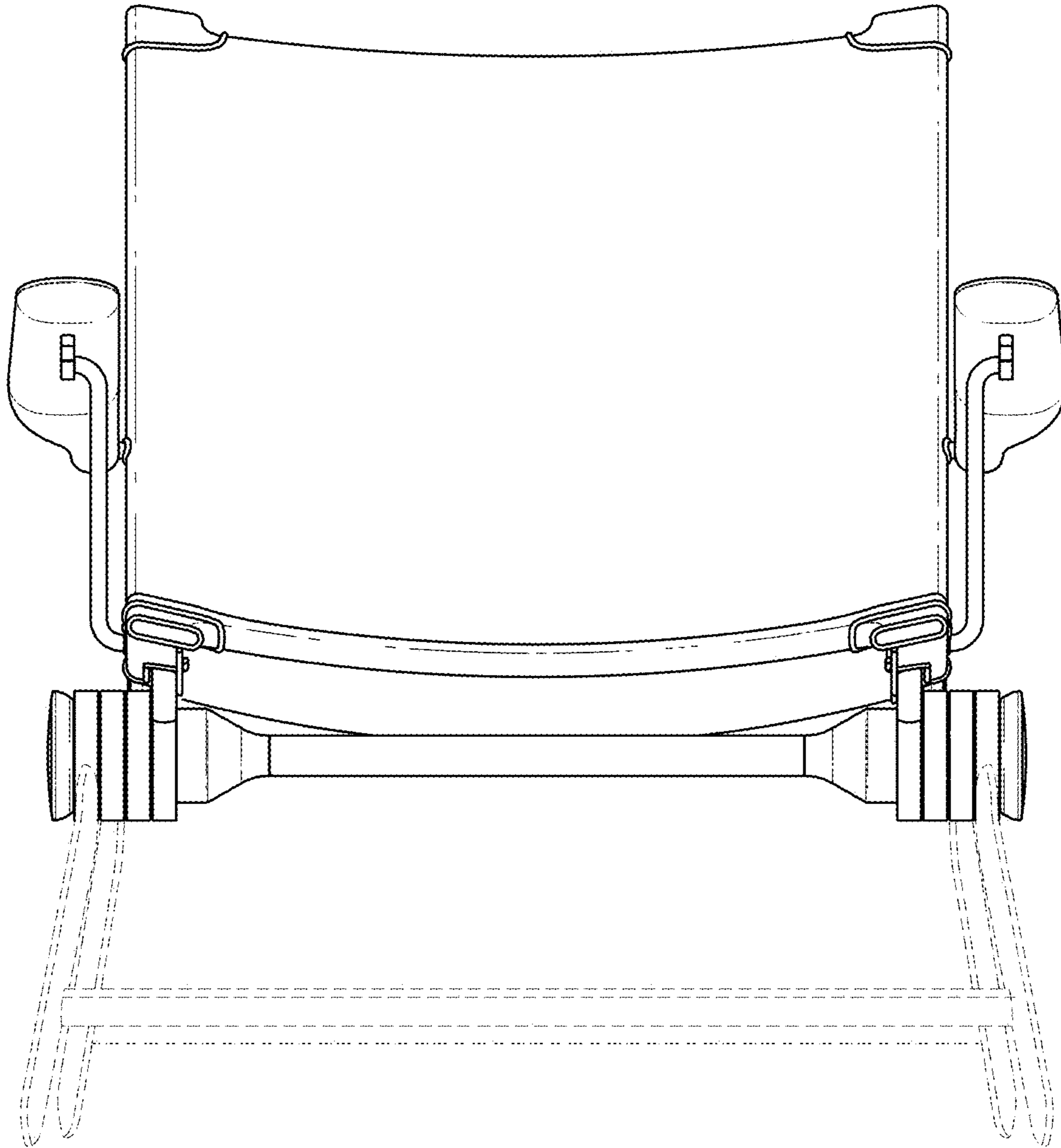


FIG. 27

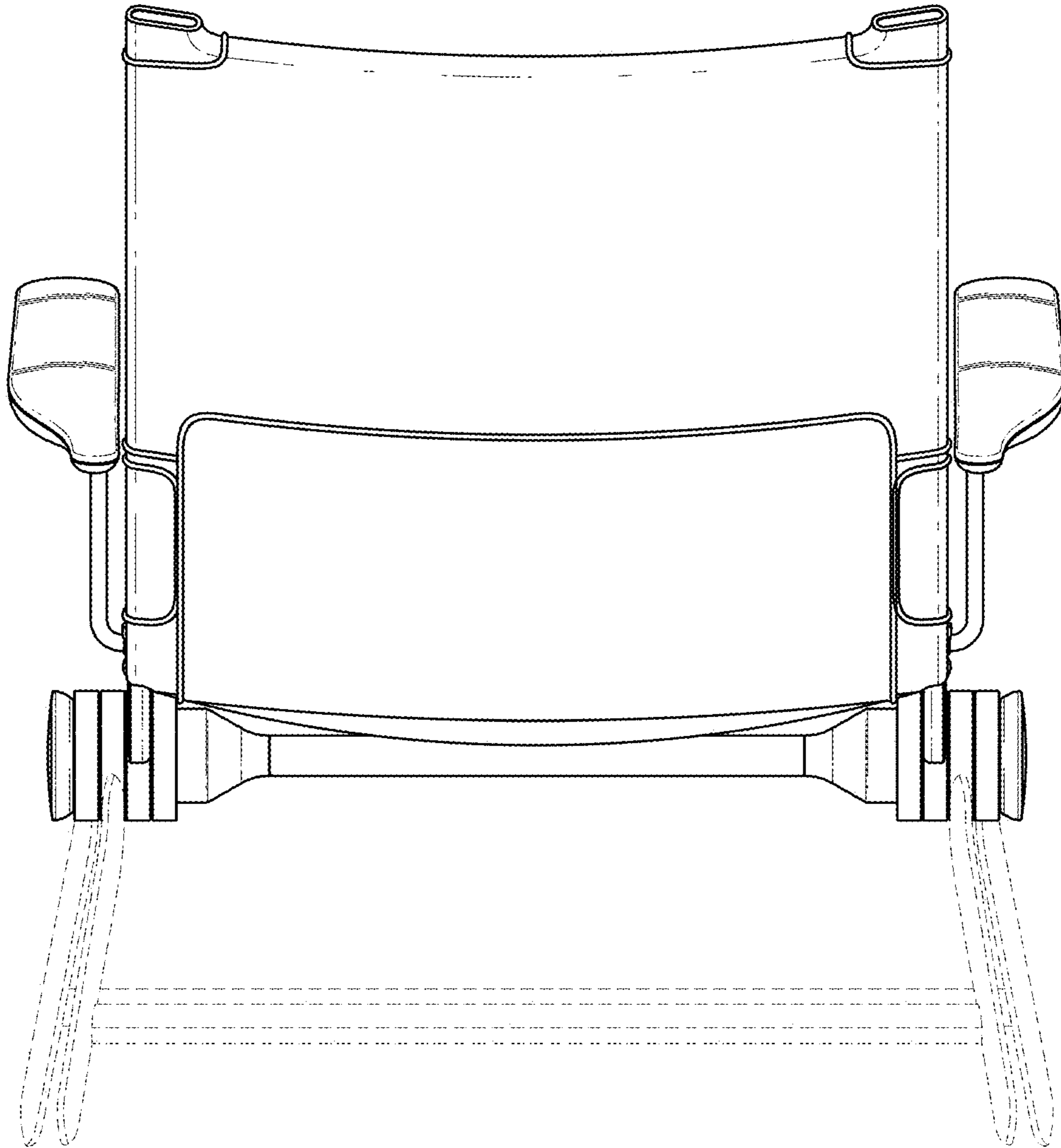


FIG. 28

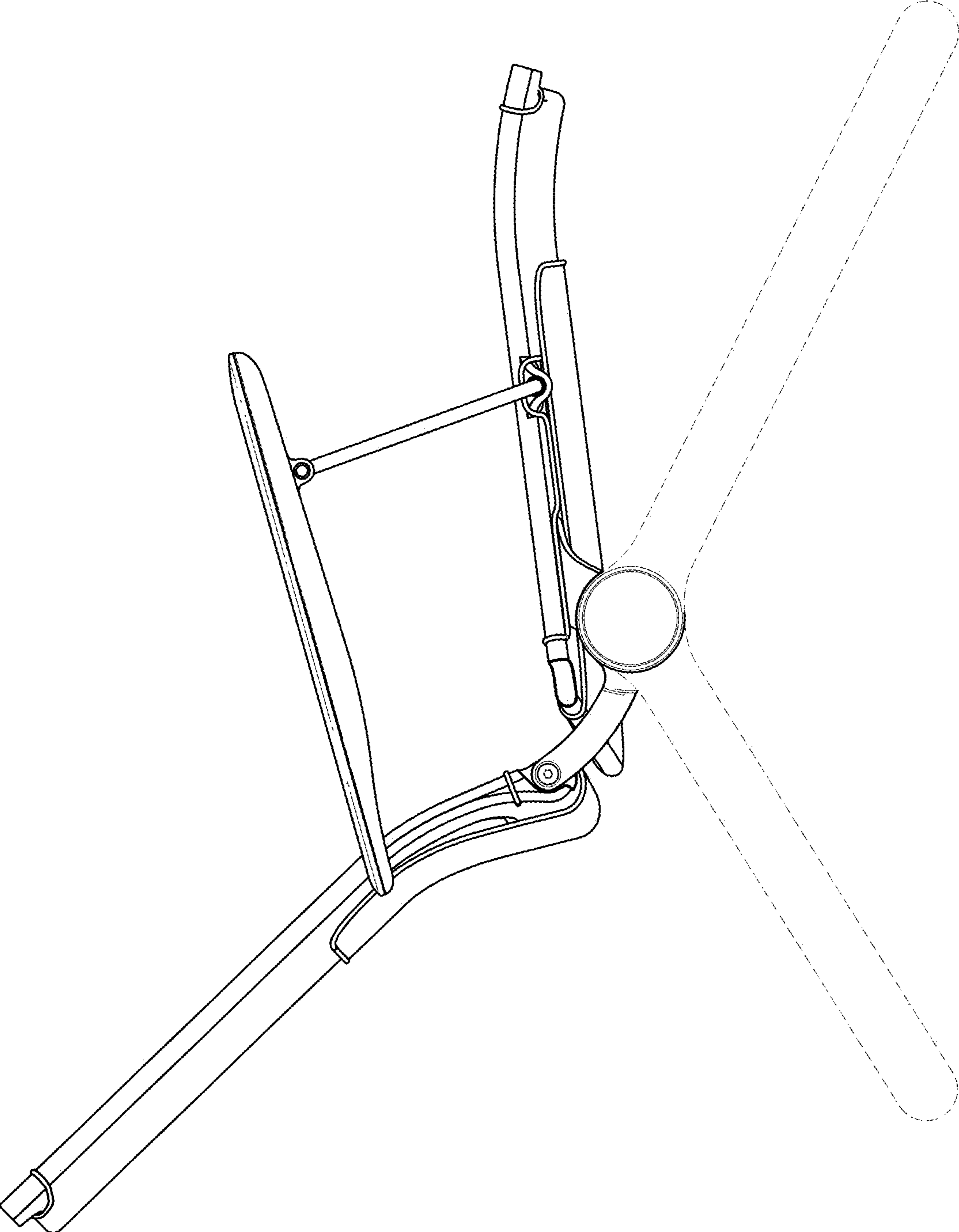


FIG. 29

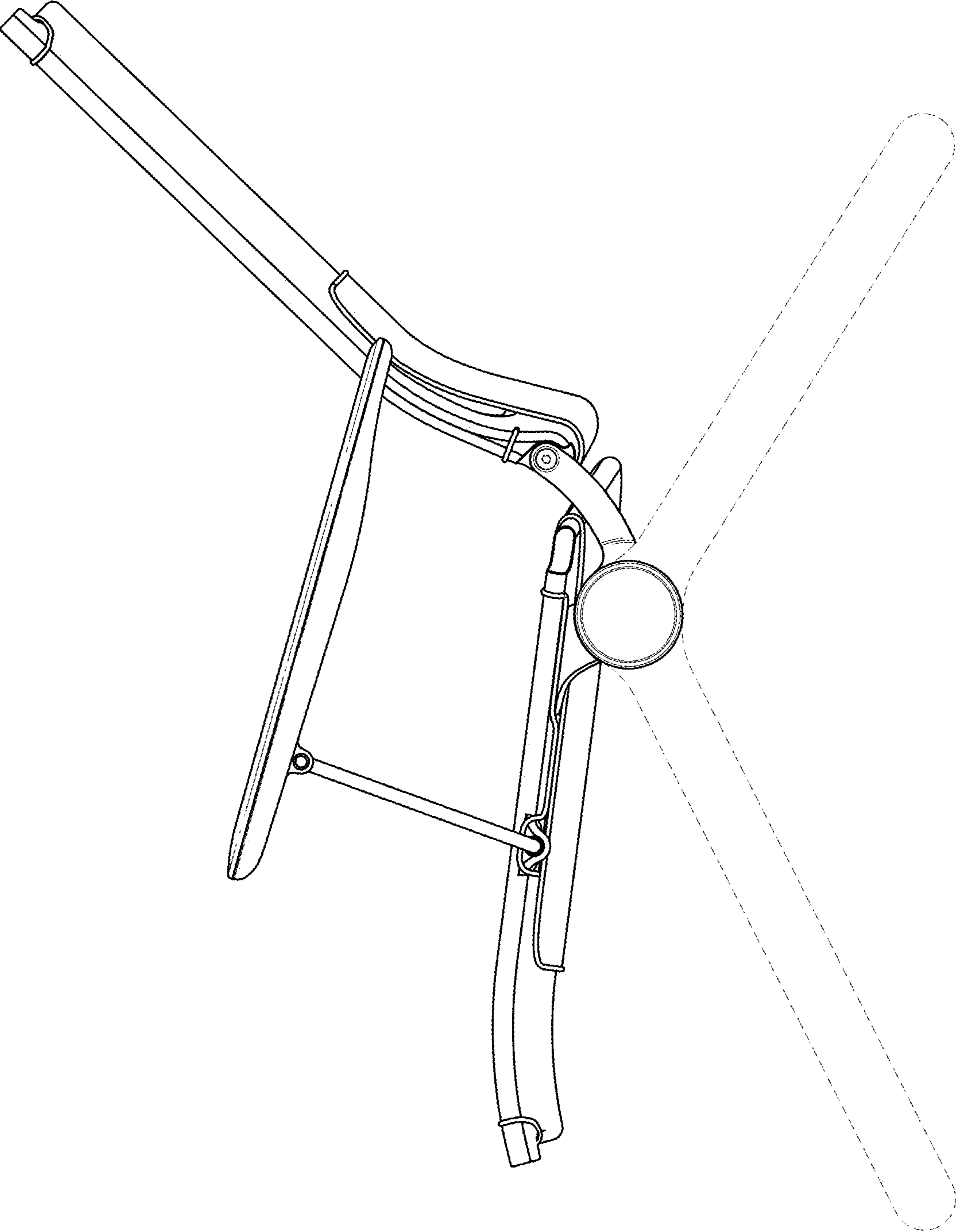


FIG. 30

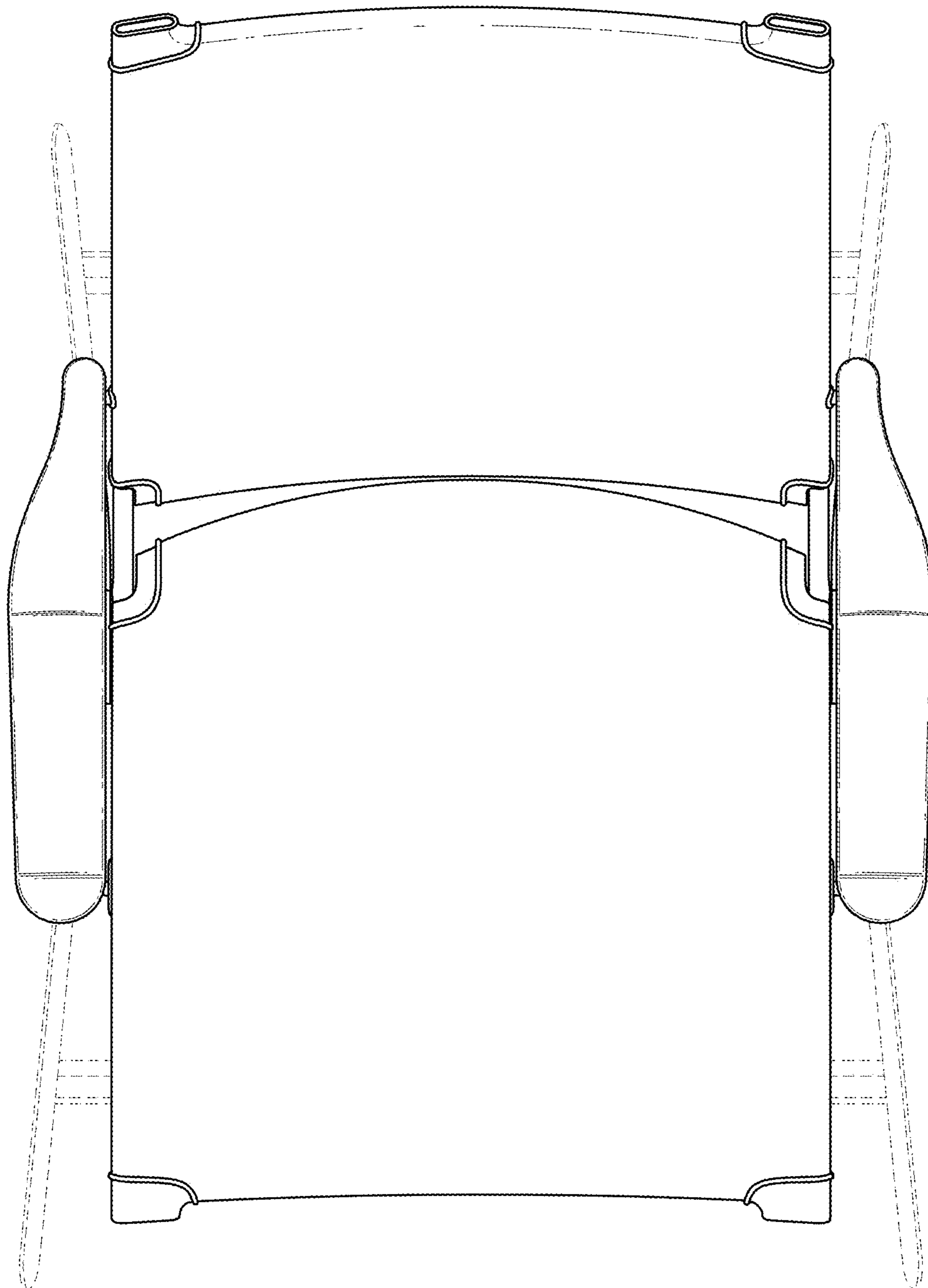


FIG. 31

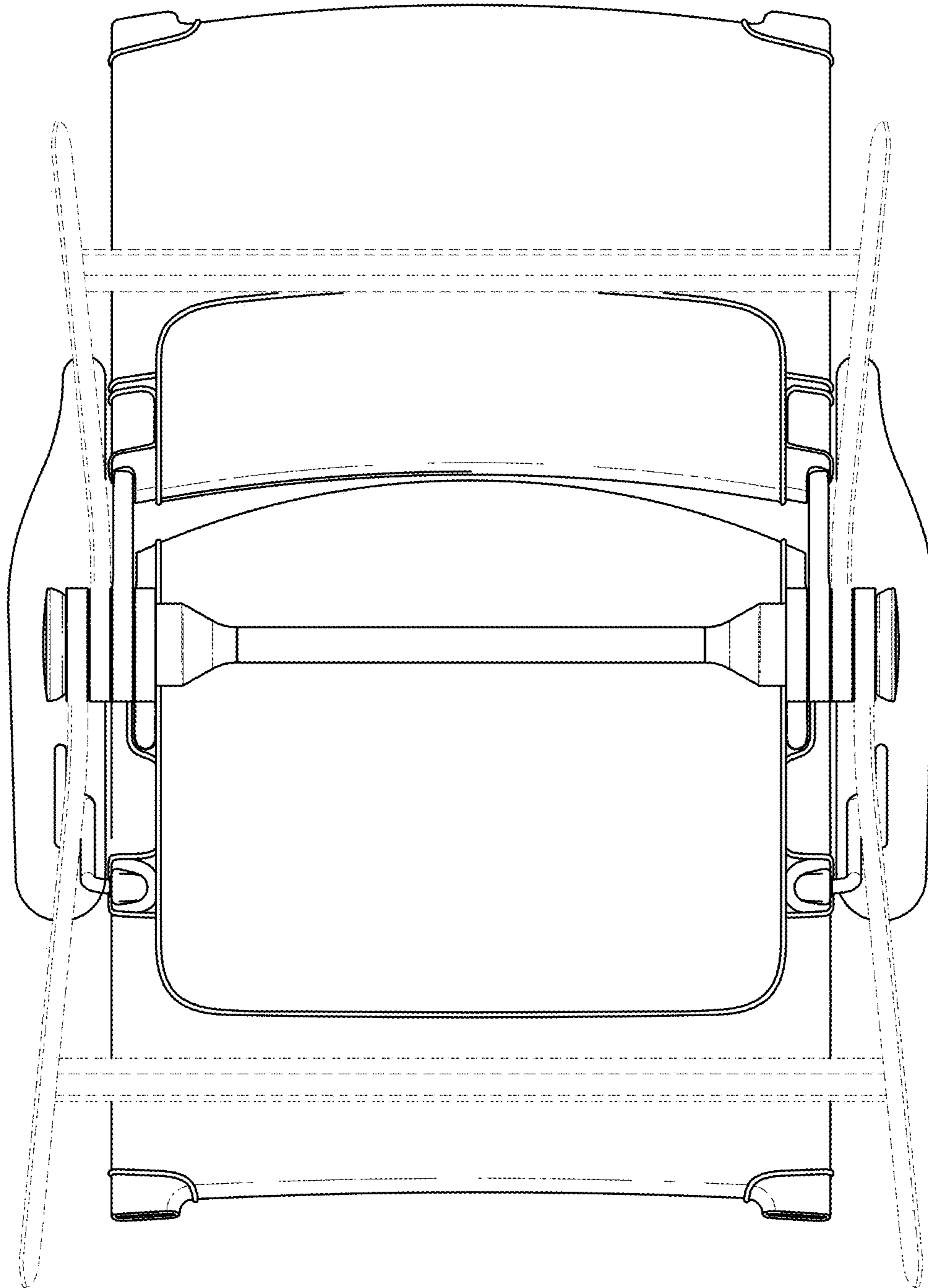


FIG. 32

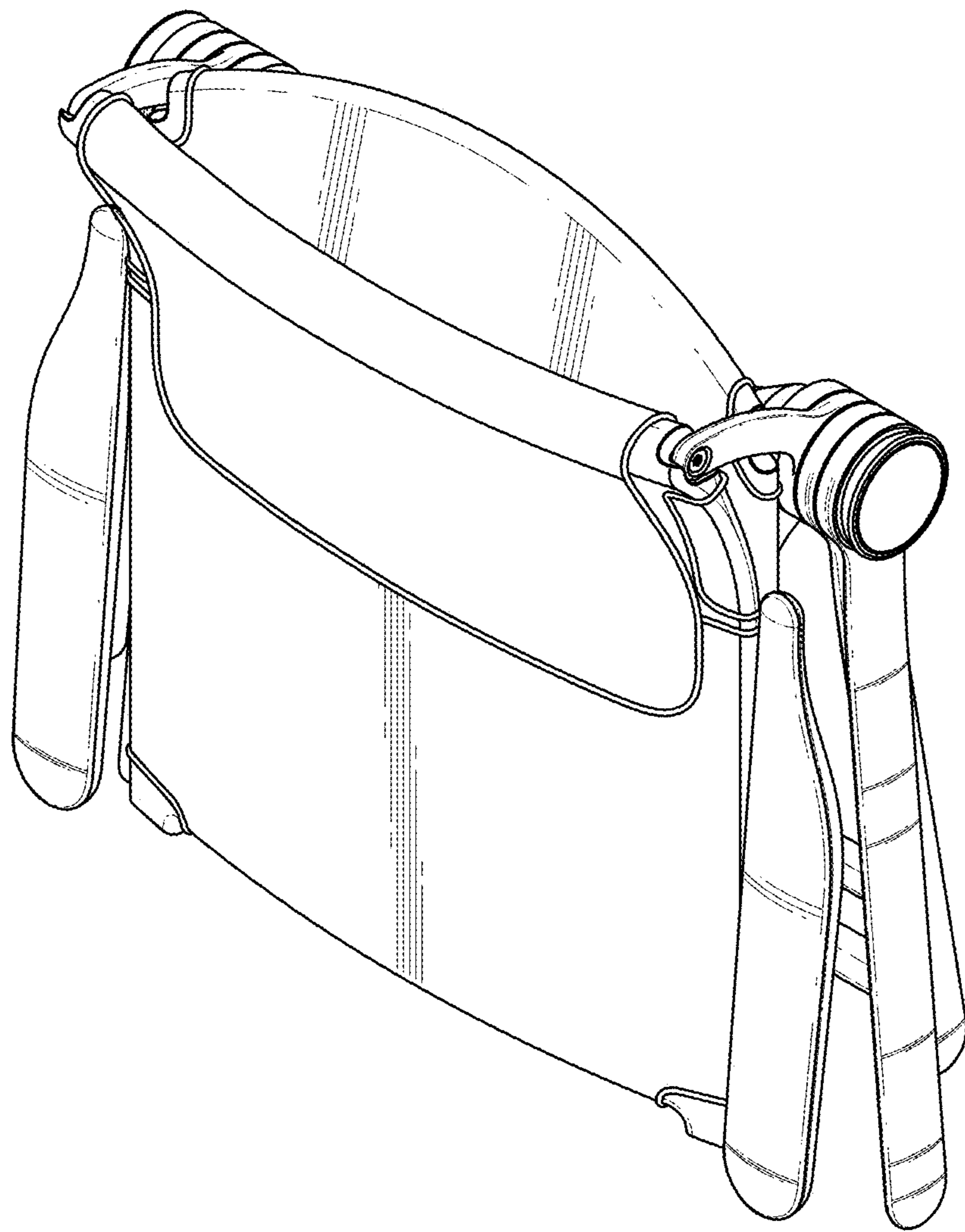


FIG. 33

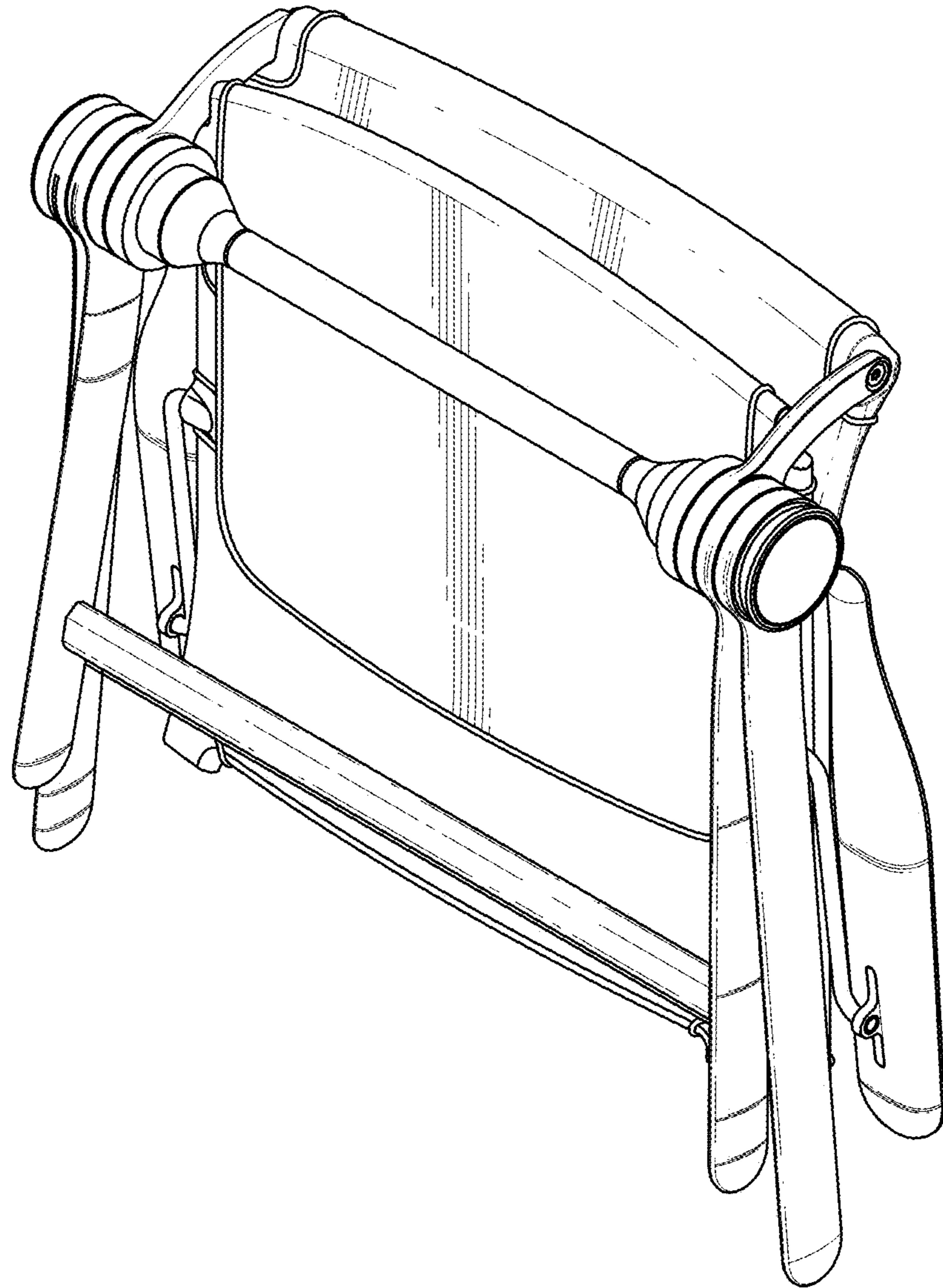


FIG. 34

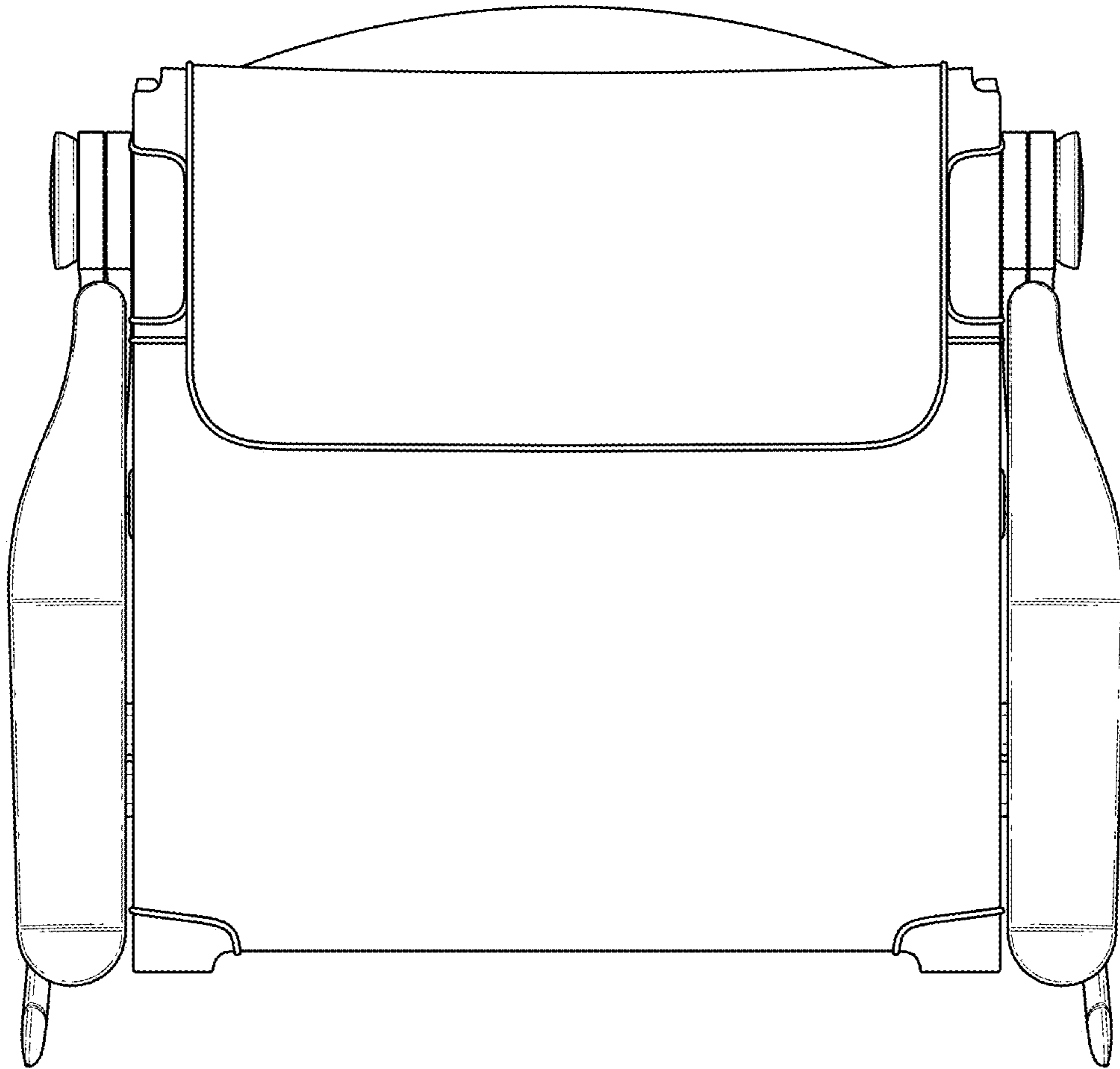


FIG. 35

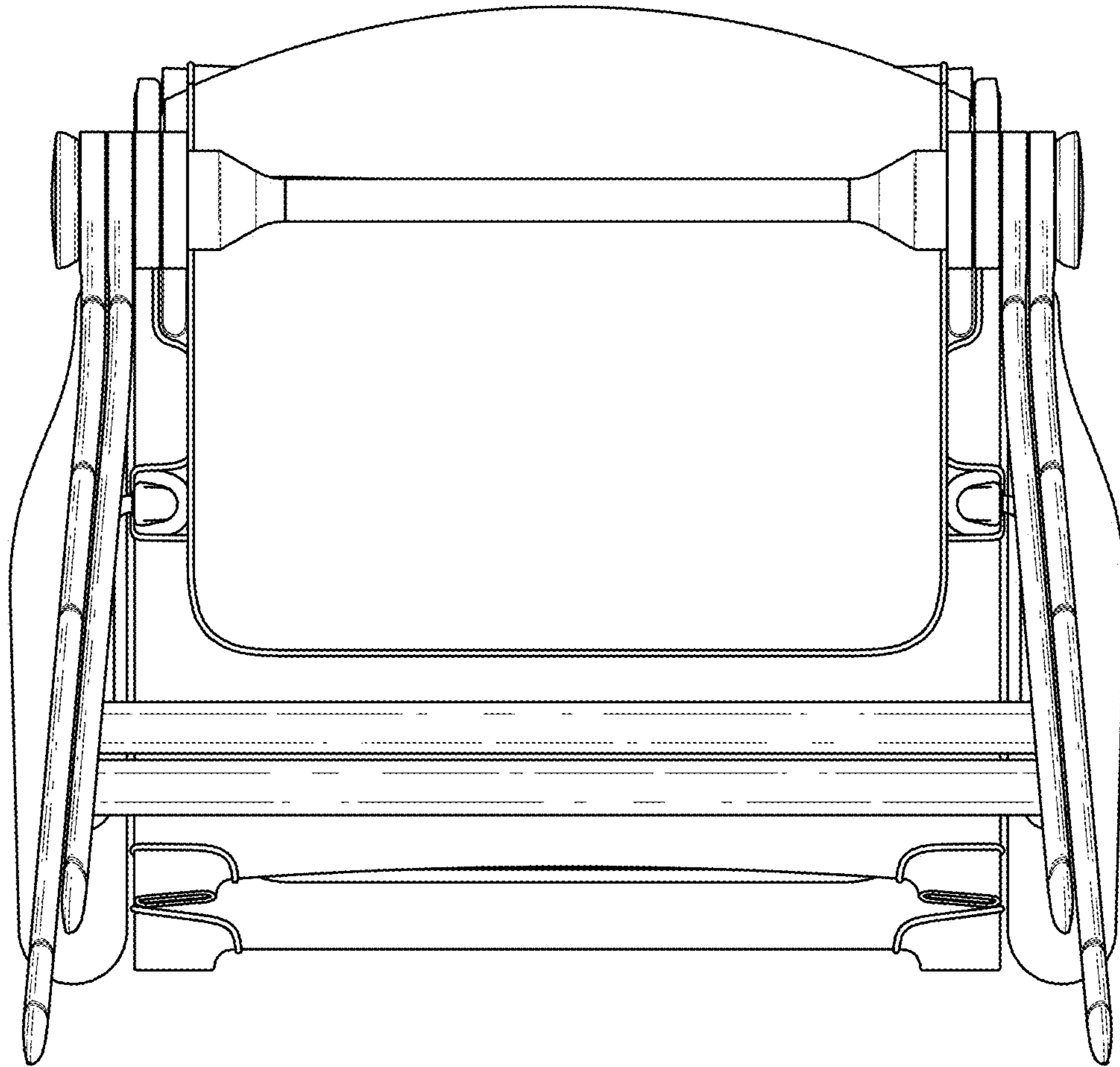


FIG. 36

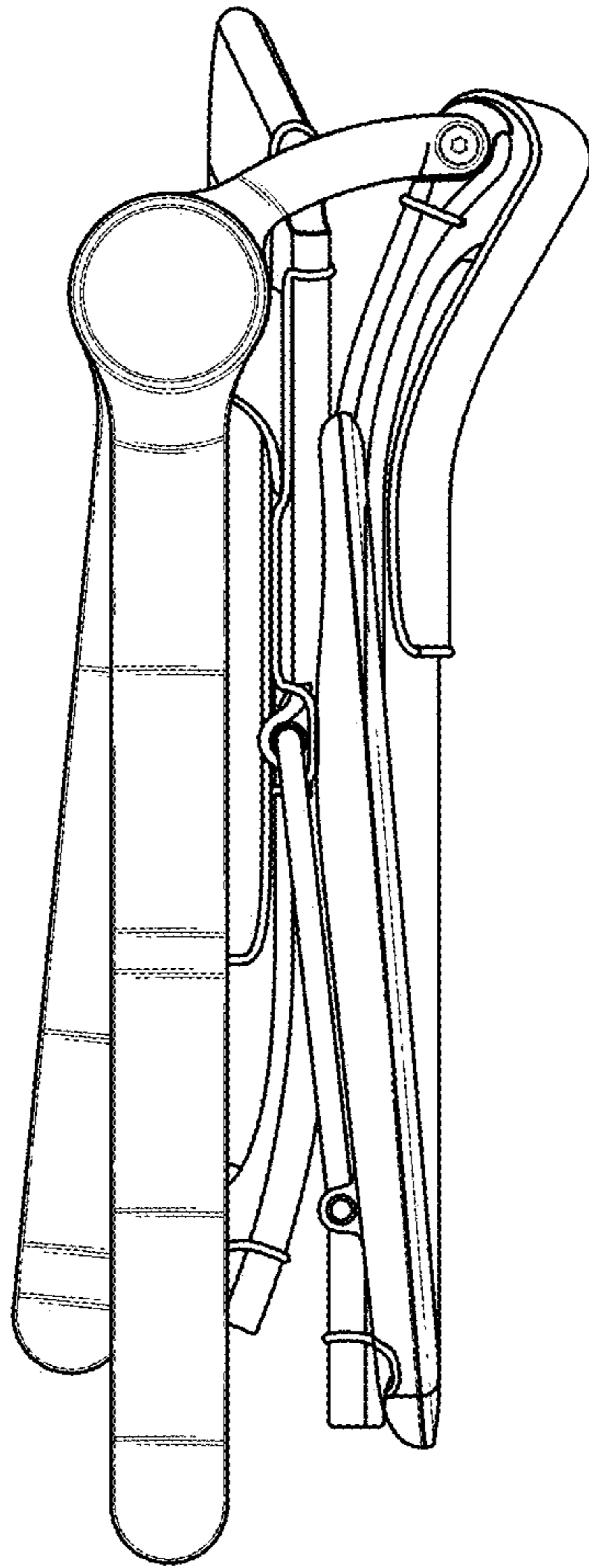


FIG. 37

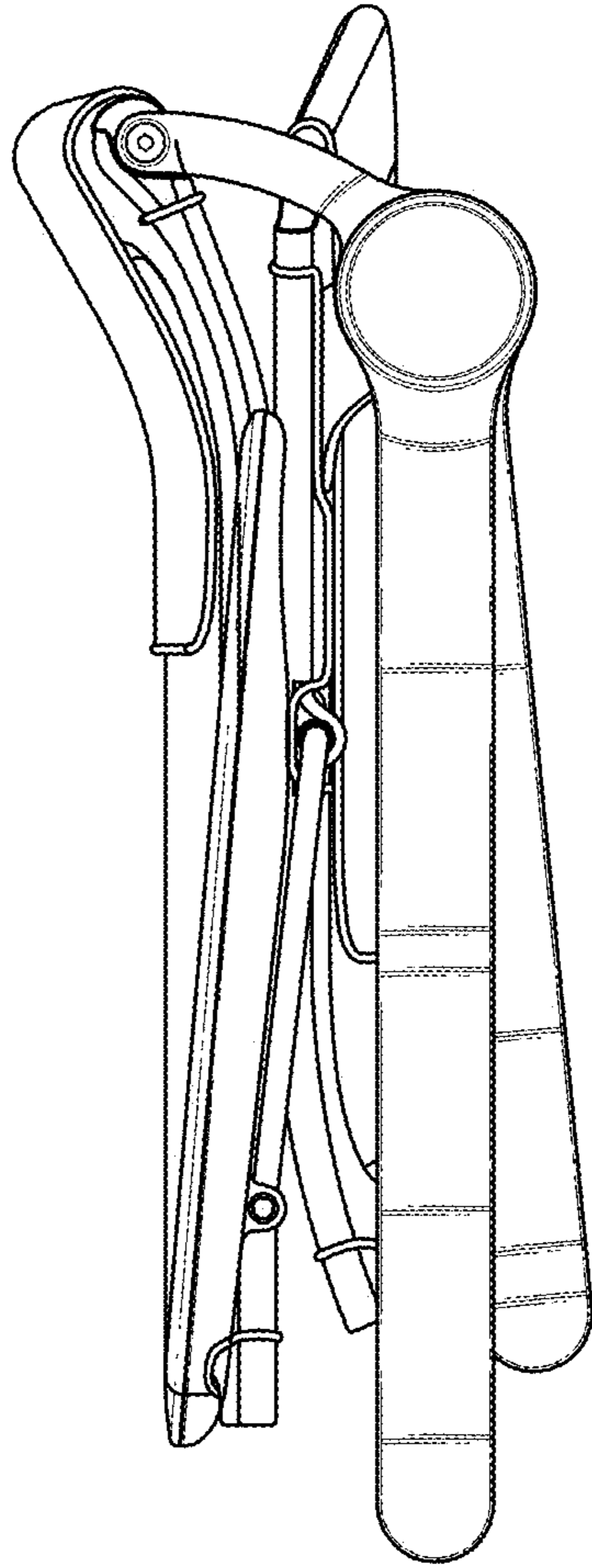


FIG. 38

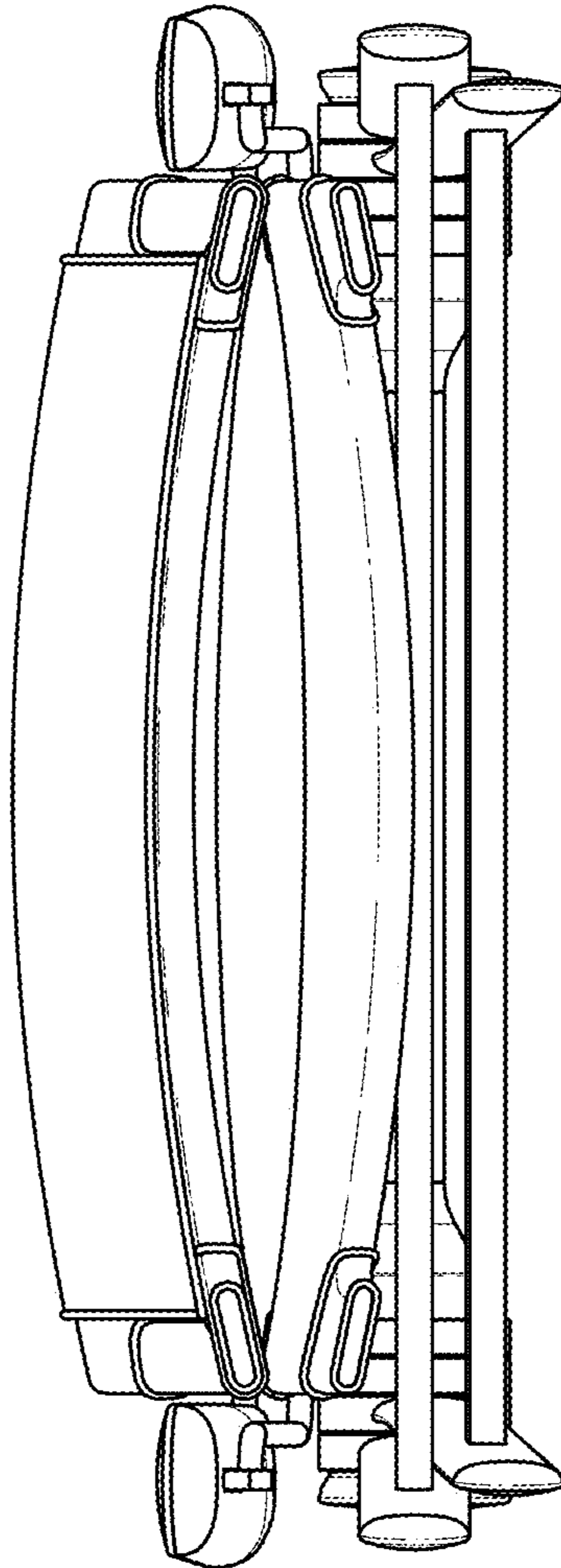


FIG. 39

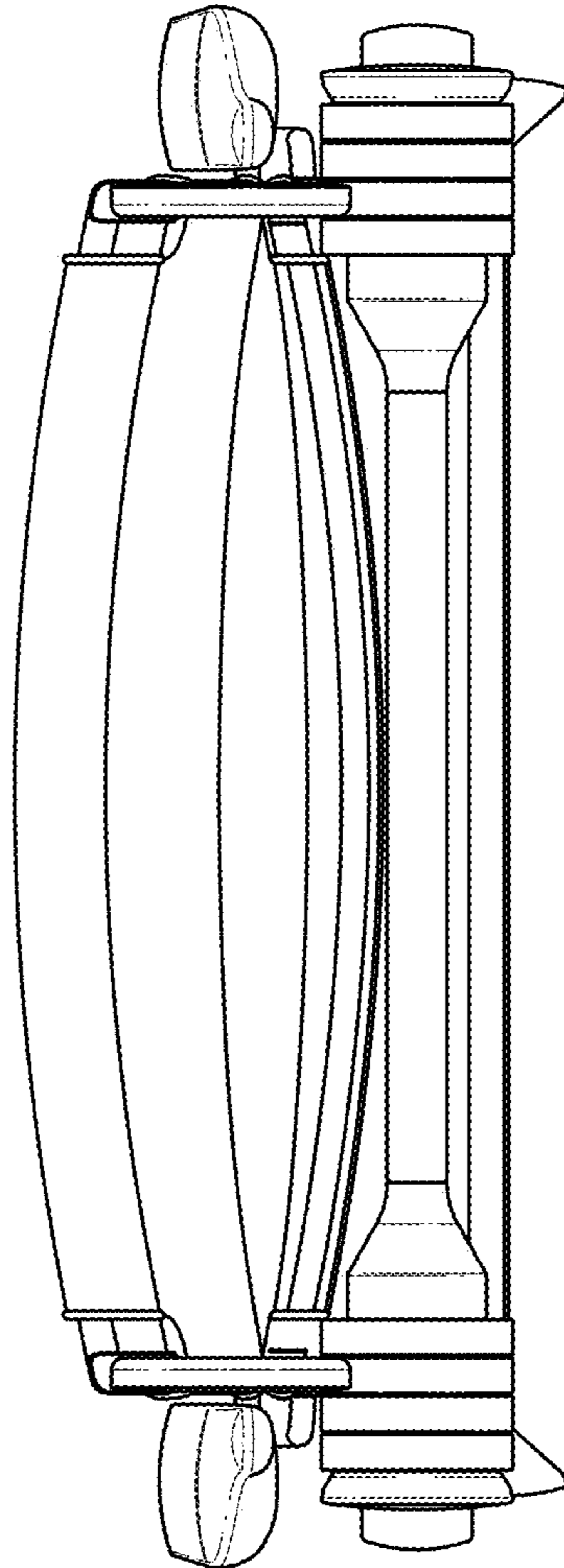


FIG. 40