

US00D974783S

(12) **United States Design Patent**
Jiang

(10) **Patent No.:** **US D974,783 S**

(45) **Date of Patent:** **** Jan. 10, 2023**

- (54) **BIKE SADDLE**
- (71) Applicant: **Shenzhen Youqing Technology Co. Ltd, Shenzhen (CN)**
- (72) Inventor: **Xiaohong Jiang, Shenzhen (CN)**
- (**) Term: **15 Years**
- (21) Appl. No.: **29/790,220**
- (22) Filed: **Nov. 11, 2021**
- (51) **LOC (14) Cl.** **06-01**
- (52) **U.S. Cl.**
USPC **D6/354**
- (58) **Field of Classification Search**
USPC D6/340, 354; D12/110, 111
CPC ... B62J 1/002; B62J 1/005; B62J 1/007; B62J
1/26
See application file for complete search history.

- D724,330 S * 3/2015 Toll B62J 1/00
D6/354
- D764,822 S * 8/2016 Toll B62J 1/00
D6/354
- D778,079 S * 2/2017 Porter D6/354
- D879,488 S * 3/2020 Liu D6/354
- D885,071 S 5/2020 Zheng
- D904,049 S 12/2020 Toll
- D904,050 S 12/2020 Wang
- D949,584 S * 4/2022 Jiang D6/354
- D952,364 S * 5/2022 Ji D6/354

* cited by examiner

Primary Examiner — Natasha Vujcic

(74) *Attorney, Agent, or Firm* — Runit Ranjit Kanakia

(57) **CLAIM**

The ornamental design for a bike saddle, as shown and described.

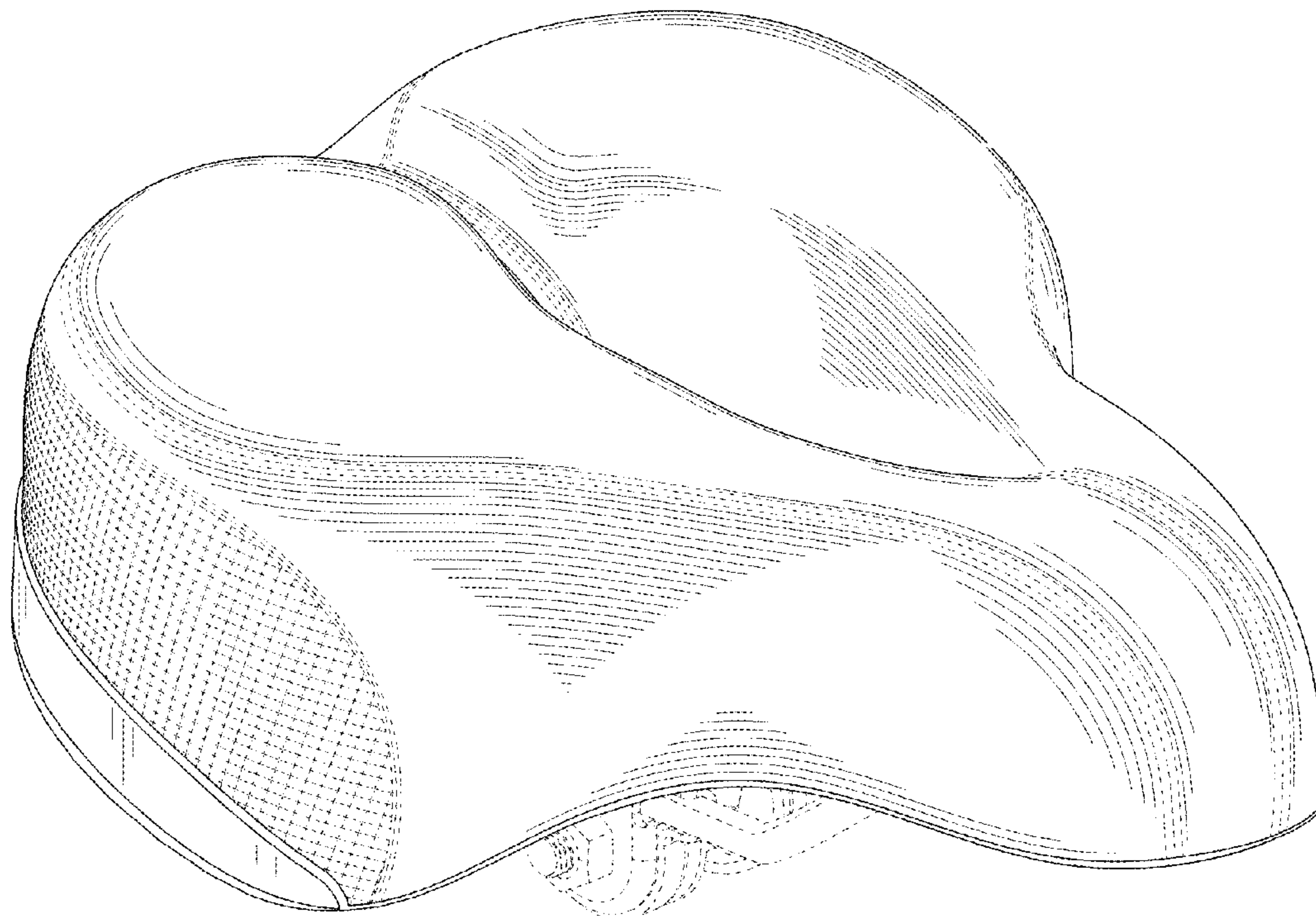
DESCRIPTION

FIG. 1 is a first perspective view of a bike saddle showing my new design;
 FIG. 2 is a second perspective view thereof;
 FIG. 3 is a front view thereof;
 FIG. 4 is a back view thereof;
 FIG. 5 is a left side view thereof;
 FIG. 6 is a right side view thereof;
 FIG. 7 is a top view thereof; and,
 FIG. 8 is a bottom view thereof.
 The broken lines shown in the drawings depict portions of the bike saddle in which the design is embodied that form no part of the claimed design.

(56) **References Cited**
U.S. PATENT DOCUMENTS

- D370,132 S * 5/1996 Urias D6/354
- D428,270 S * 7/2000 Bigolin D6/354
- D428,271 S * 7/2000 Bigolin D6/354
- D433,827 S * 11/2000 Kuipers D6/354
- D439,756 S * 4/2001 Bigolin D6/354
- D454,259 S * 3/2002 Yates D6/354
- D456,157 S * 4/2002 Yates B62J 1/00
D6/354
- D456,623 S * 5/2002 Yates D6/354
- D684,780 S * 6/2013 Toll D6/354
- D720,548 S * 1/2015 Yu D6/354
- D722,446 S * 2/2015 Toll B62J 1/00
D6/354

1 Claim, 8 Drawing Sheets



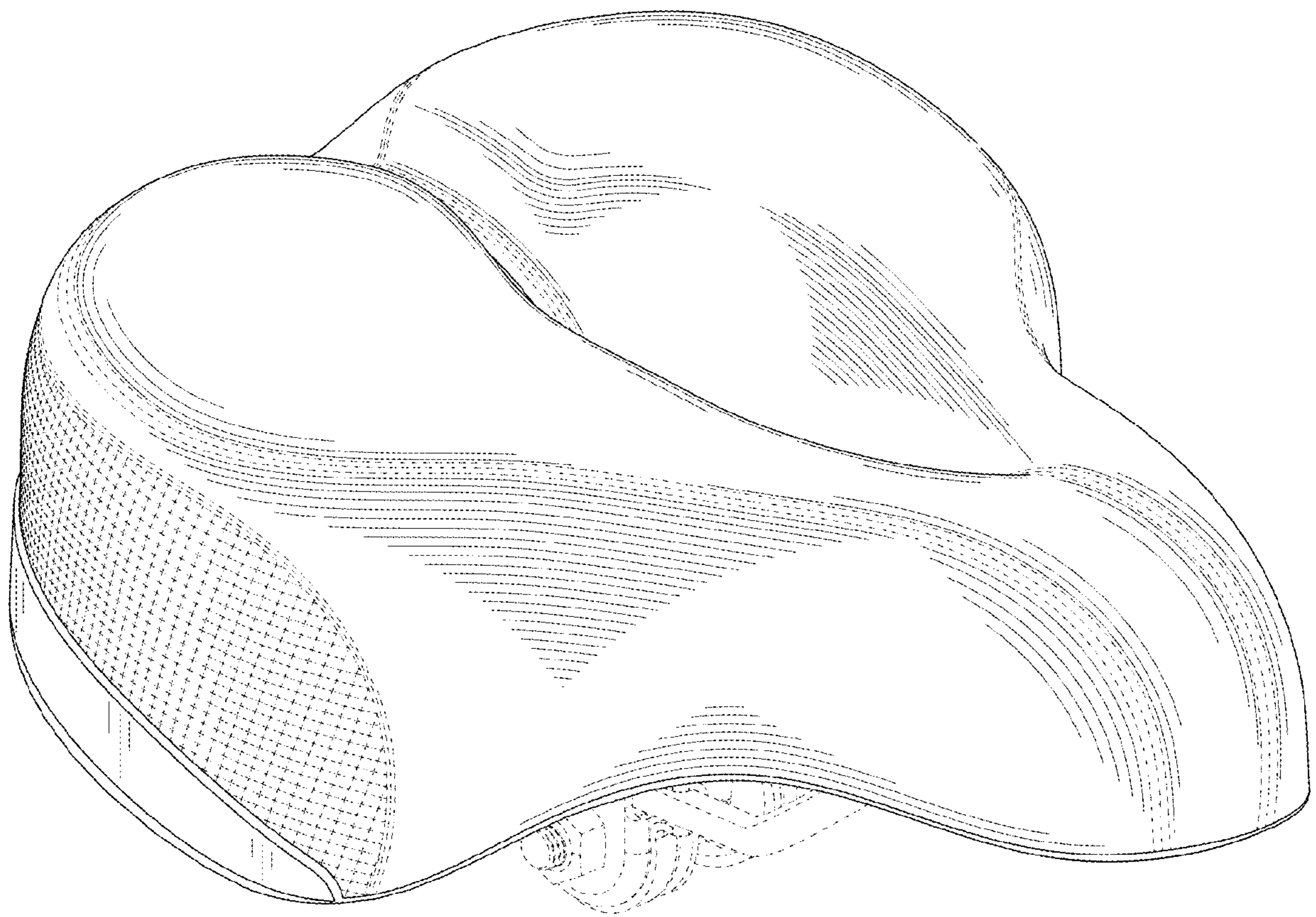


FIG. 1

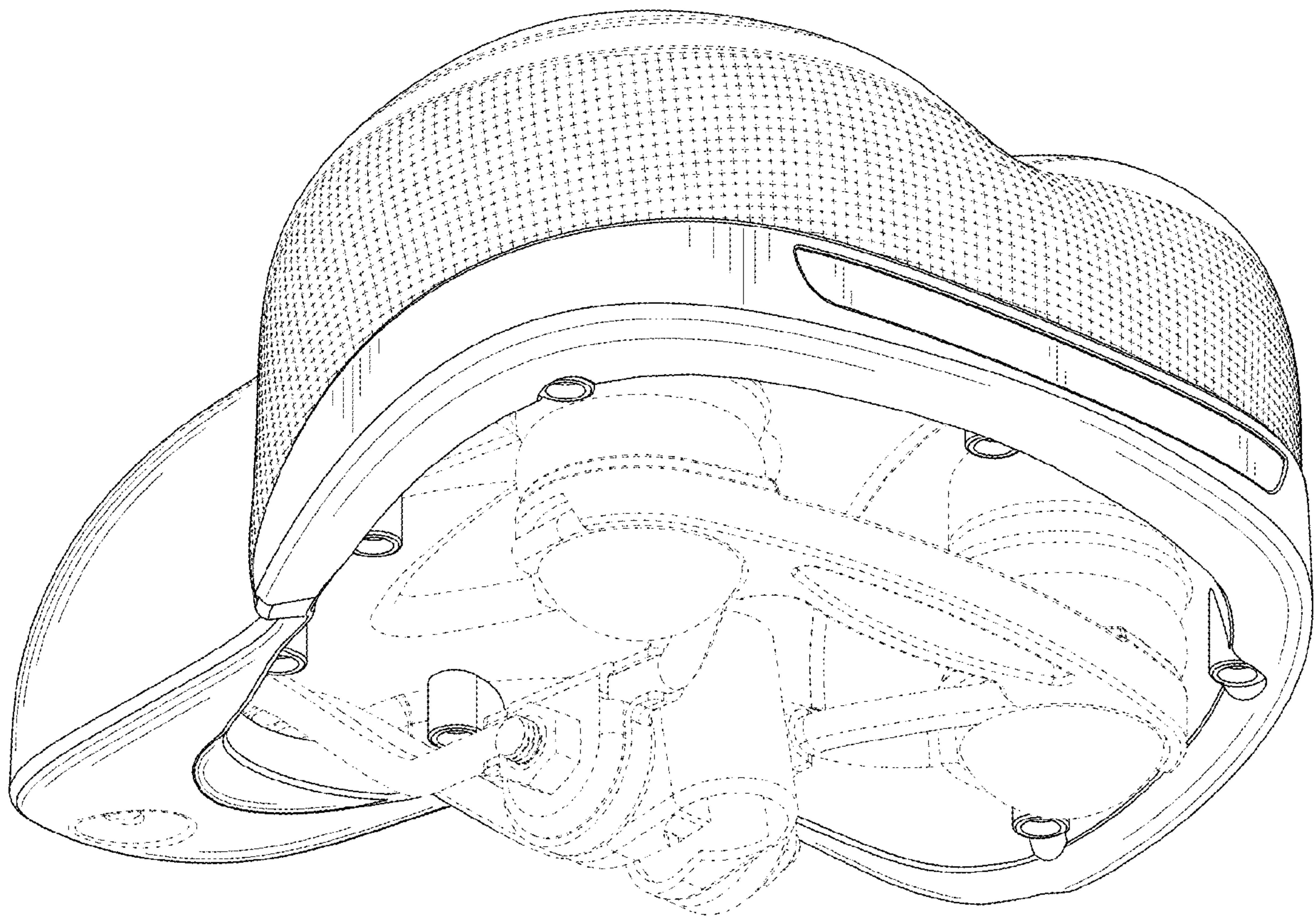


FIG. 2

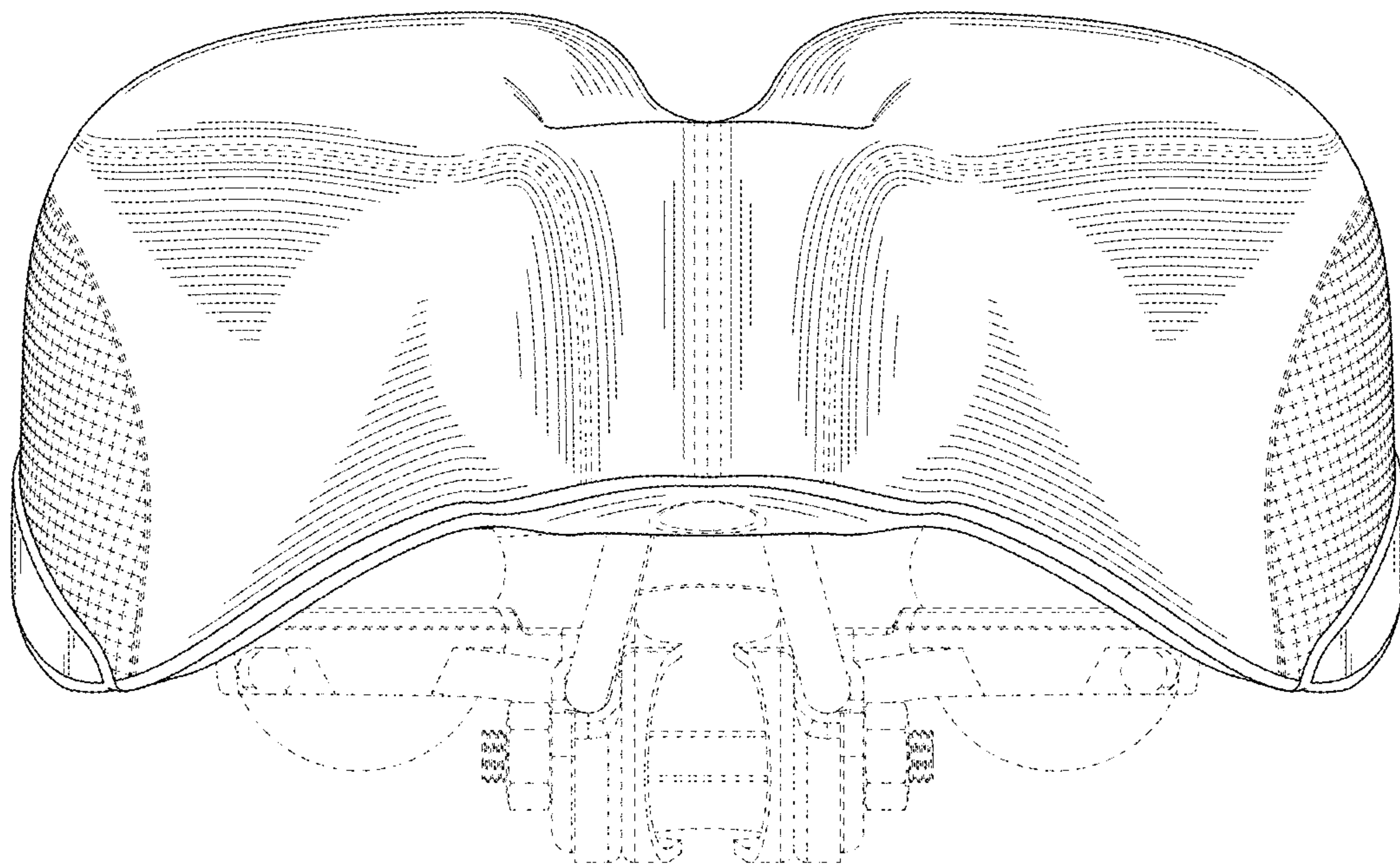


FIG. 3

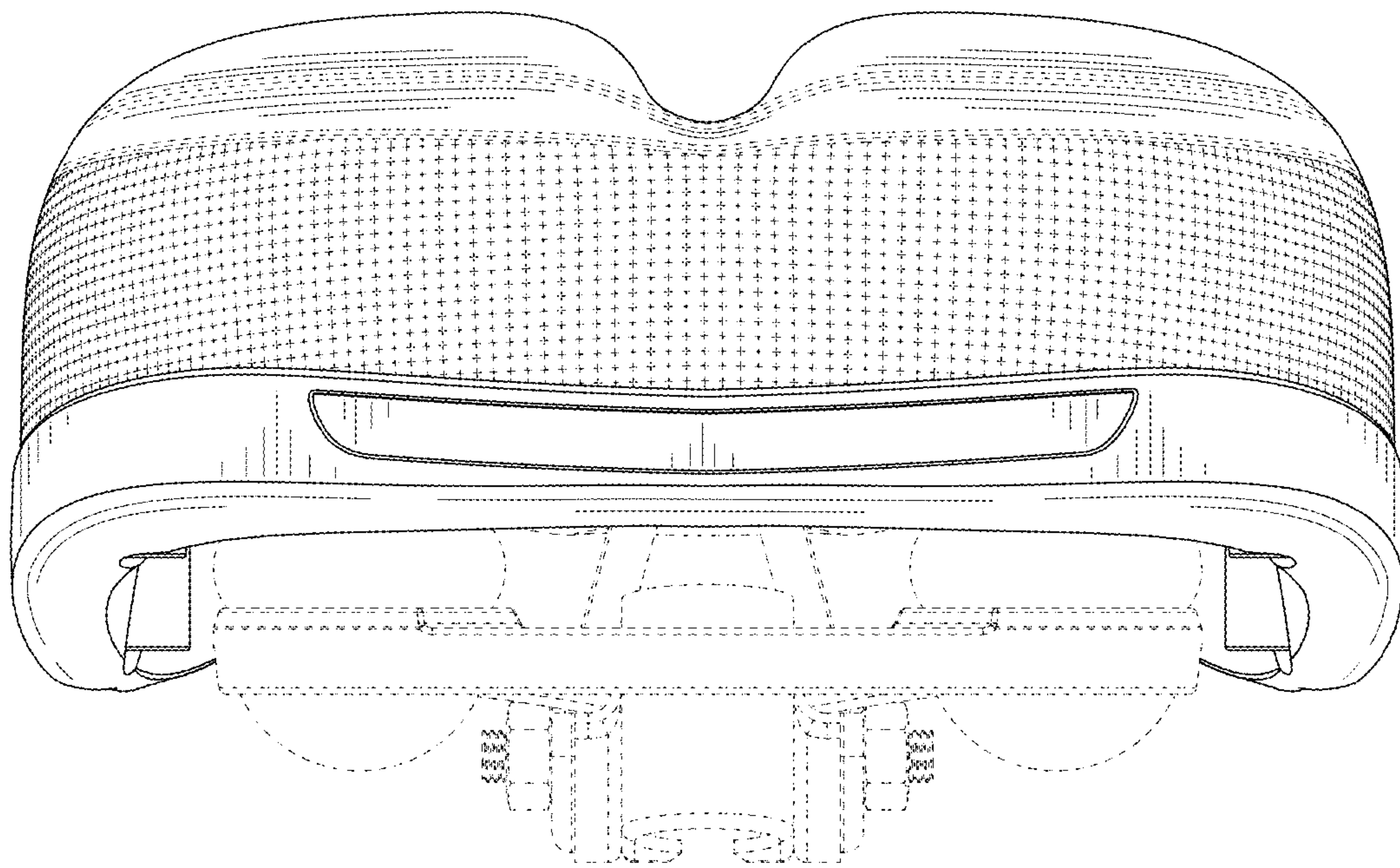


FIG. 4

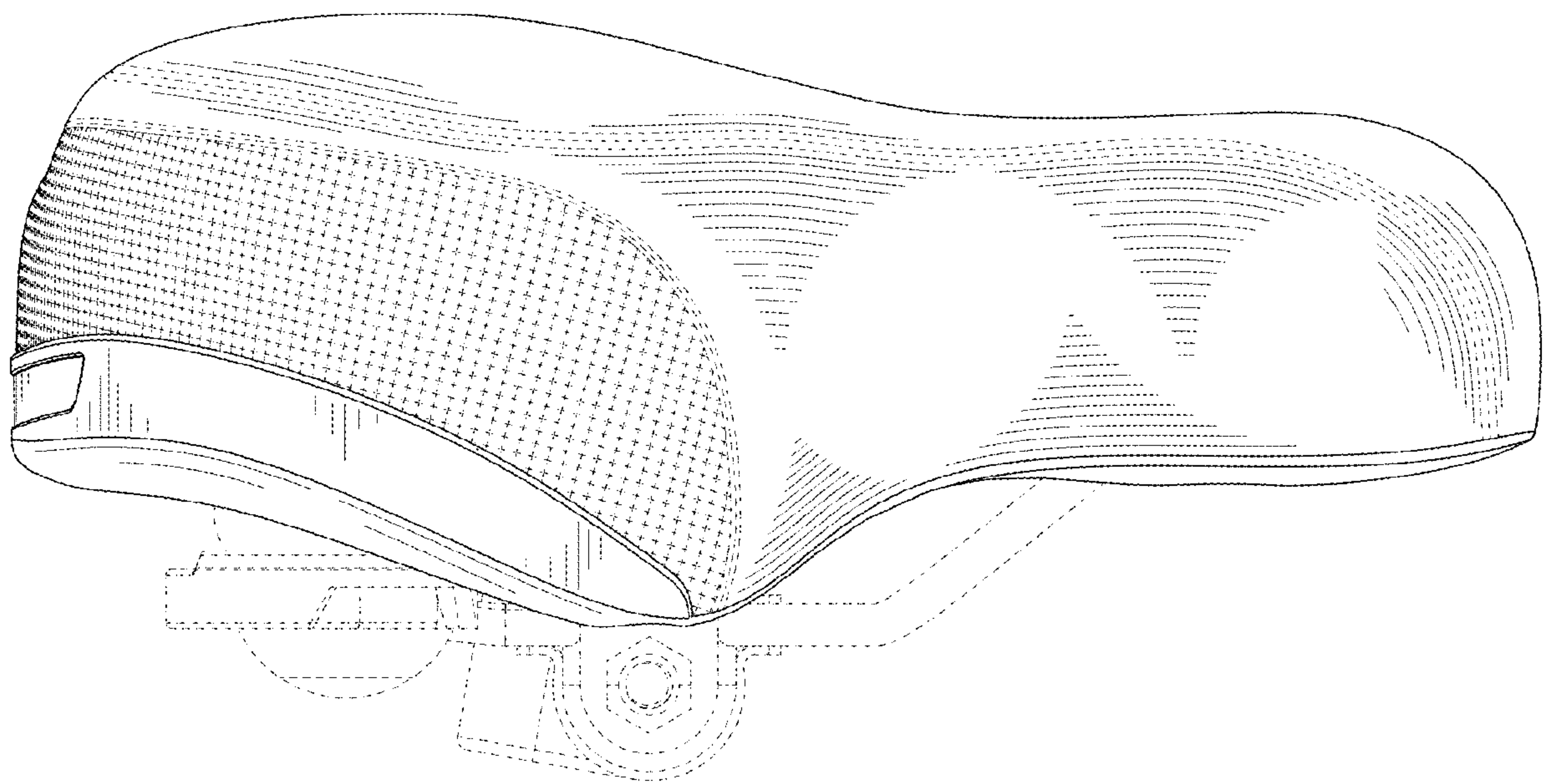


FIG. 5

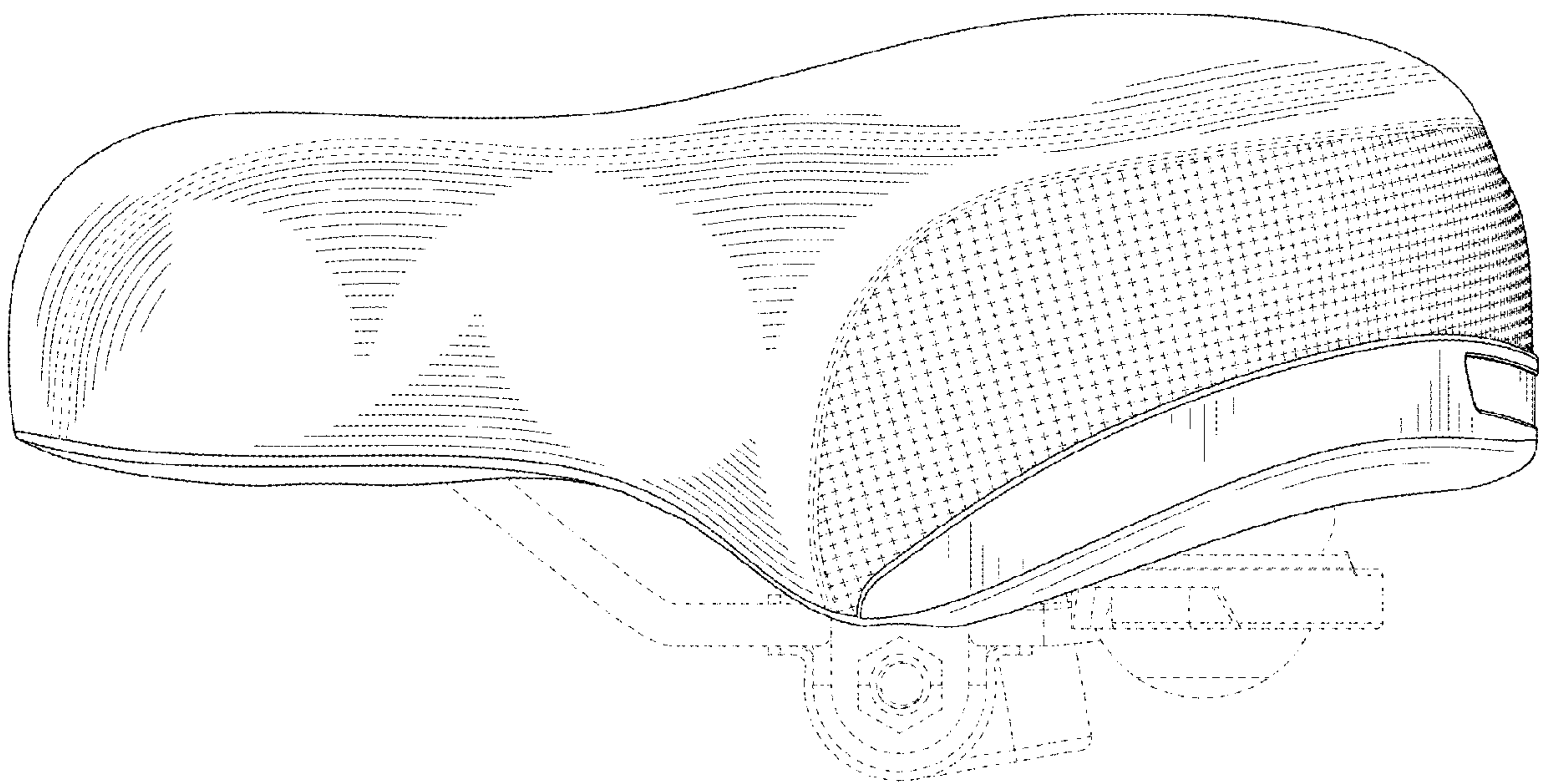


FIG. 6

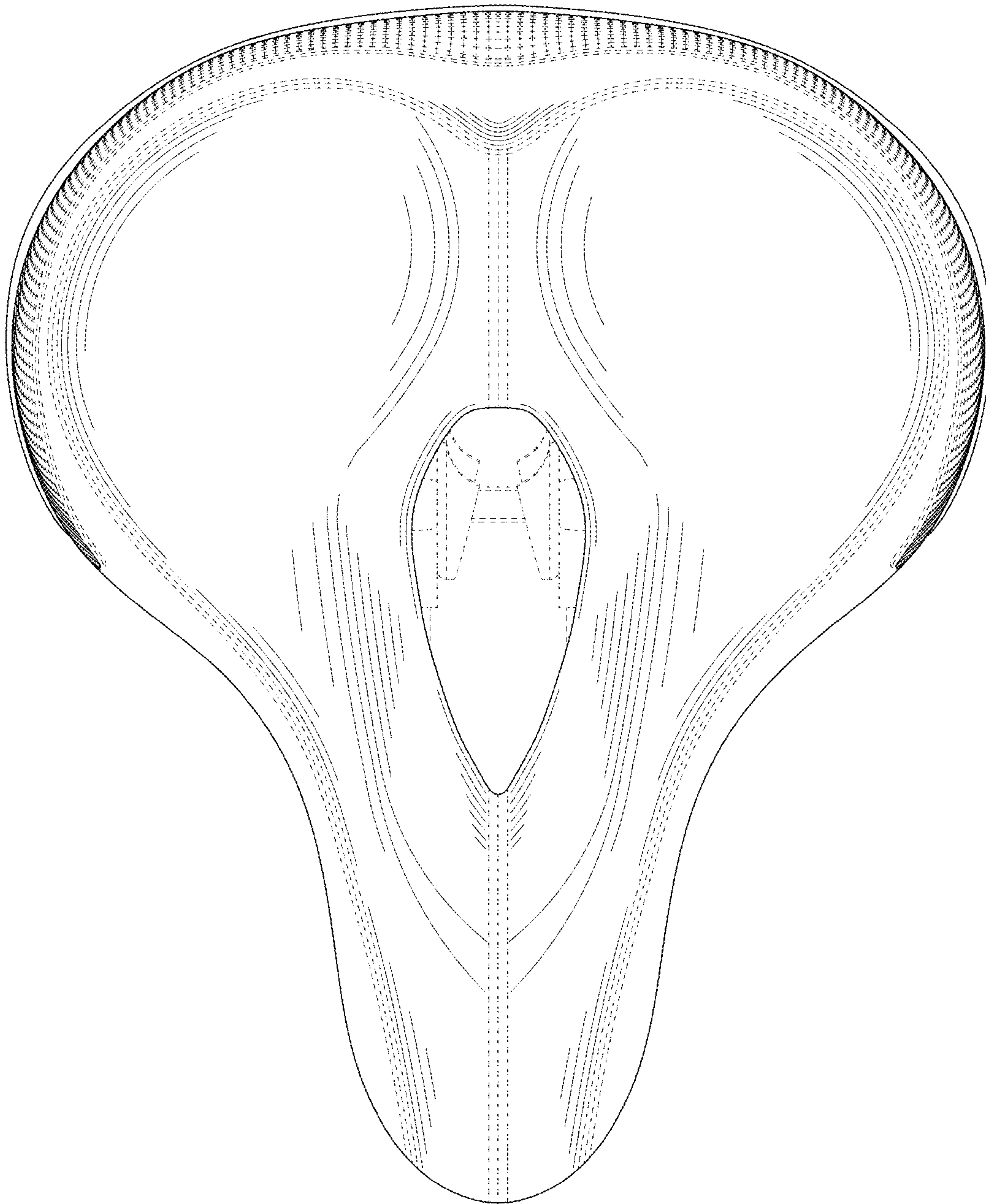


FIG. 7

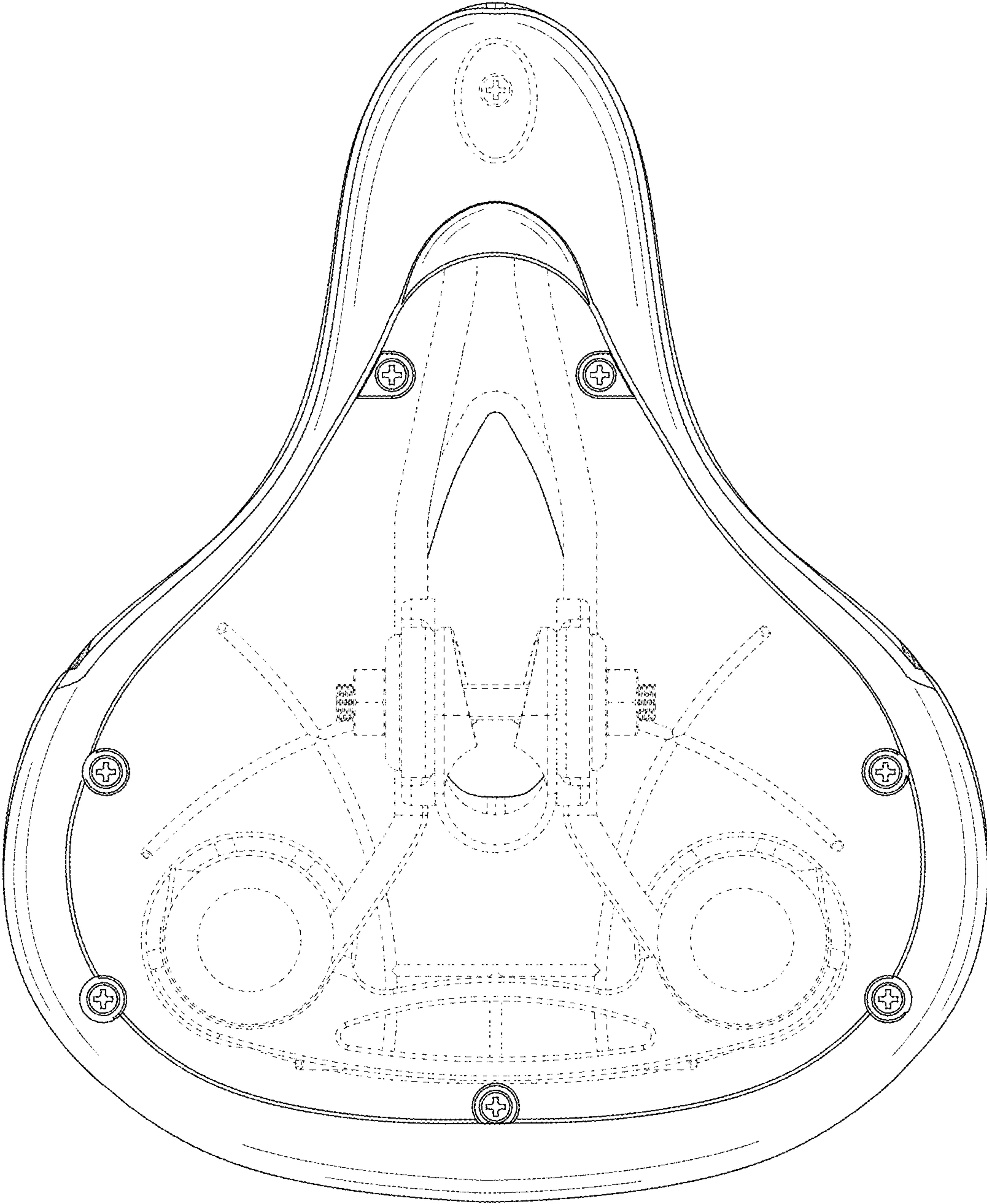


FIG. 8