



US00D974782S

(12) **United States Design Patent**  
**Tian**

(10) **Patent No.:** **US D974,782 S**

(45) **Date of Patent:** **\*\* Jan. 10, 2023**

(54) **CHAIR AND OTTOMAN SET**

(71) Applicant: **HUIZHOU GREAT HARVEST  
WORLDWIDE INDUSTRY CO.,  
LTD**, Huizhou (CN)

(72) Inventor: **Xuming Tian**, Liuyang (CN)

(73) Assignee: **HUIZHOU GREAT HARVEST  
WORLDWIDE INDUSTRY CO.,  
LTD**, Huizhou (CN)

(\*\*) Term: **15 Years**

(21) Appl. No.: **29/800,960**

(22) Filed: **Jul. 26, 2021**

(51) **LOC (14) Cl.** ..... **06-01**

(52) **U.S. Cl.**  
USPC ..... **D6/335**

(58) **Field of Classification Search**  
USPC ..... D6/334, 335, 336, 349, 355, 360, 361,  
D6/369, 370, 374, 375, 378, 379, 380,  
D6/650, 716, 716.1, 716.3  
CPC .... A47C 4/02; A47C 4/03; A47C 3/12; A47C  
5/04; A47C 5/12; A47C 4/024; A47C  
4/028; A47C 7/54; A47C 1/00; A47C  
3/38; A47C 7/006; A47C 13/00; A47C  
15/00

See application file for complete search history.

(56) **References Cited**

**U.S. PATENT DOCUMENTS**

D335,222 S \* 5/1993 Washington, Jr. .... D6/335  
5,466,041 A \* 11/1995 Hoffman ..... A47C 13/00  
297/188.1  
D486,311 S \* 2/2004 Boydak ..... D6/335  
D508,335 S \* 8/2005 Ghetti ..... D6/335  
D533,365 S \* 12/2006 Martin ..... D6/334  
D664,778 S \* 8/2012 Pheasant ..... D6/334

D702,051 S \* 4/2014 Rasenberg ..... D6/334  
D725,921 S \* 4/2015 Banda ..... D6/349  
D874,167 S \* 2/2020 Tian ..... D6/334  
D956,442 S \* 7/2022 Tingler ..... D6/374

**FOREIGN PATENT DOCUMENTS**

WO D096031-085 \* 5/2017

**OTHER PUBLICATIONS**

Oadeer Home 30.5" Modern Linen Blend Fabric Upholstered Accent Chair [online], [site visited Oct. 19, 2022]. Available from internet, URL: <<https://www.homesquare.com/Oadeer-Home-30-5-Modern-Linen-Blend-Fabric-Upholstered-Accent-Chair-in-Beige-D5350-CHAIR.htm>> (Year: 2022).\*

(Continued)

*Primary Examiner* — Cynthia Ramirez  
*Assistant Examiner* — Xavier Marti-Santos

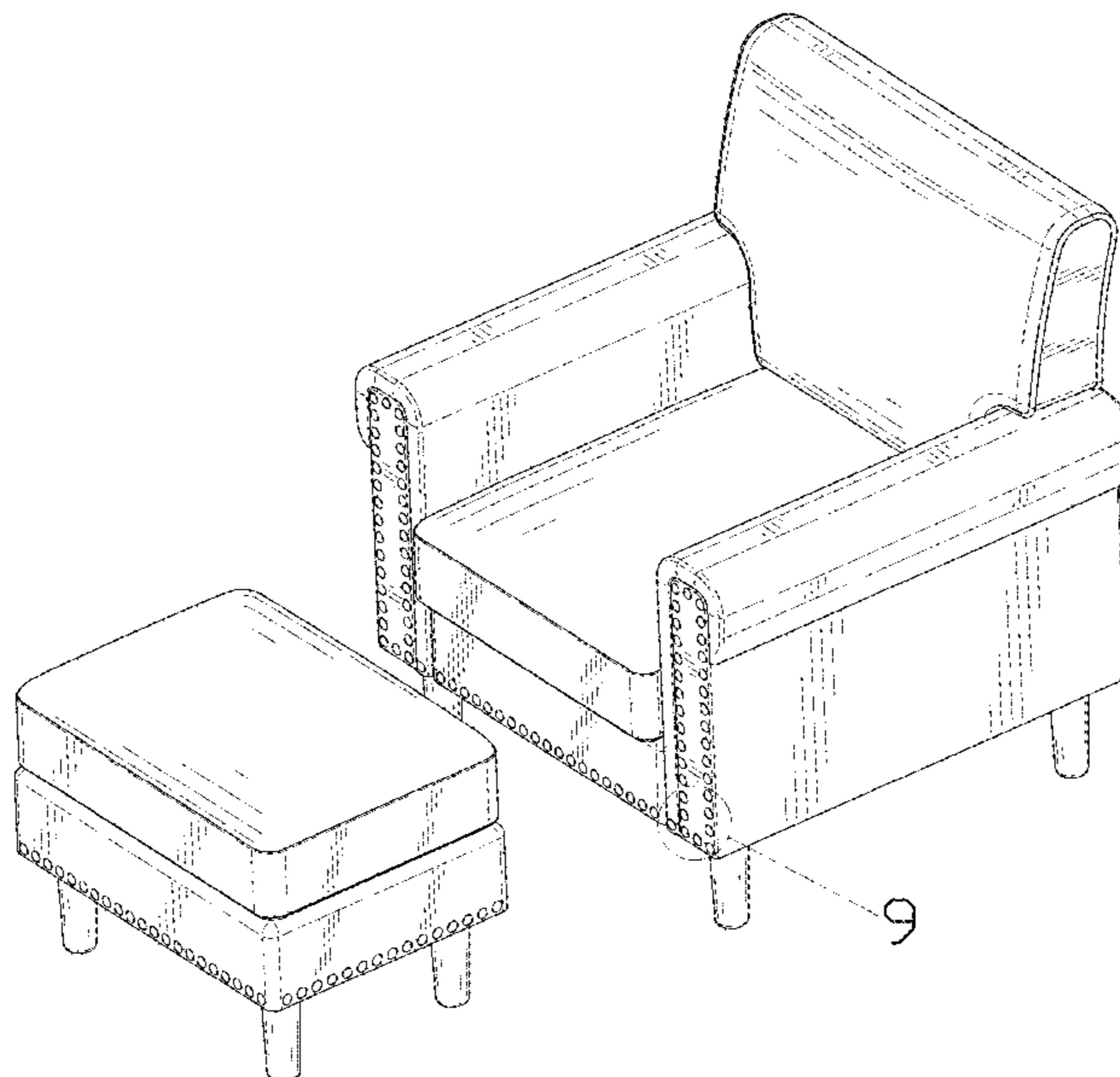
(57) **CLAIM**

The ornamental design for a chair and ottoman set, as shown and described.

**DESCRIPTION**

FIG. 1 is a perspective view of a chair and ottoman set showing my new design;  
FIG. 2 is another perspective view thereof;  
FIG. 3 is a front elevational view thereof;  
FIG. 4 is a rear elevational view thereof;  
FIG. 5 is a left side elevational view thereof;  
FIG. 6 is a right side elevational view thereof;  
FIG. 7 is a top plan view thereof;  
FIG. 8 is a bottom plan view thereof; and,  
FIG. 9 is an enlarged view of portion 9 shown in FIG. 1.  
The dash-dash broken lines in the drawings depict portions of the chair and ottoman set that form no part of the claimed design. The dot-dash broken lines represent boundaries of the enlarged portion and form no part of the claimed design.

**1 Claim, 9 Drawing Sheets**



(56)

**References Cited**

OTHER PUBLICATIONS

Natalia Chair [online], [site visited Oct. 19, 2022]. Available from internet, URL: <<https://www.roomstogo.com/furniture/product/natalia-black-chair/10320985>> (Year: 2022).\*

Claredon Ottoman [online], [site visited Oct. 19, 2022]. Available from internet, URL: <[https://www.ashleyfurniture.com/p/claredon\\_ottoman/1560214.html?cgid=ottomans](https://www.ashleyfurniture.com/p/claredon_ottoman/1560214.html?cgid=ottomans)> (Year: 2022).\*

\* cited by examiner

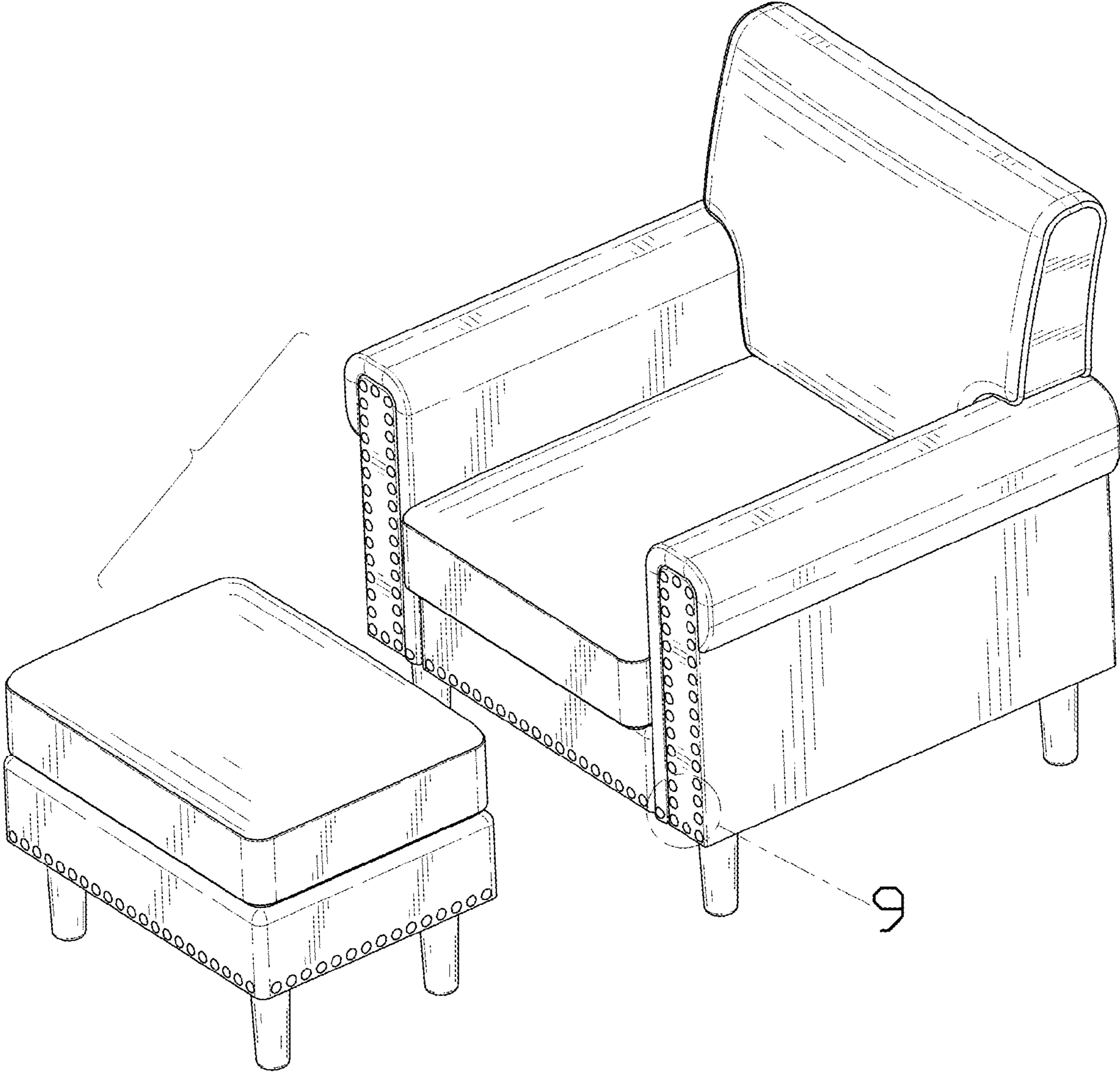


FIG. 1

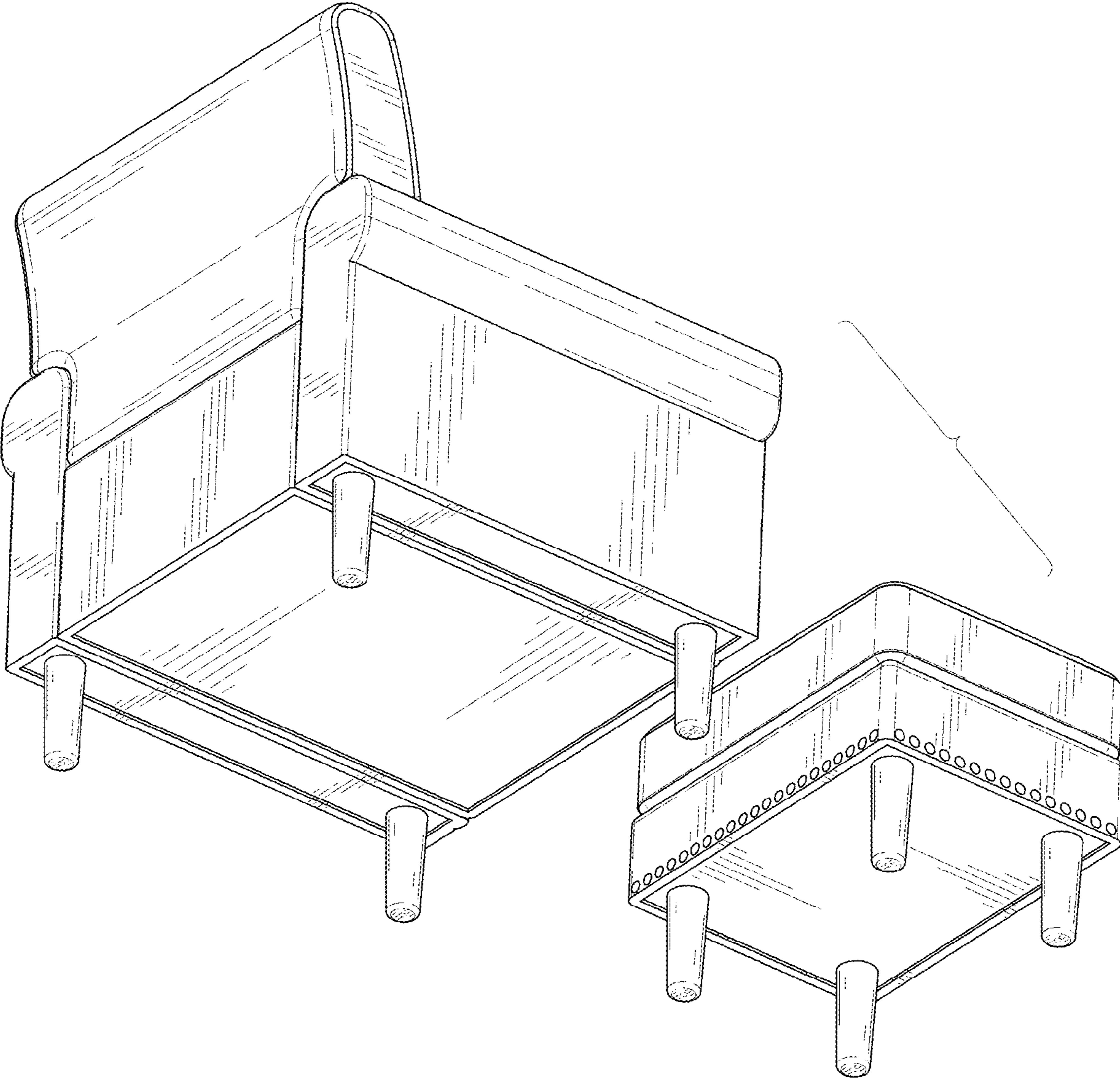


FIG. 2

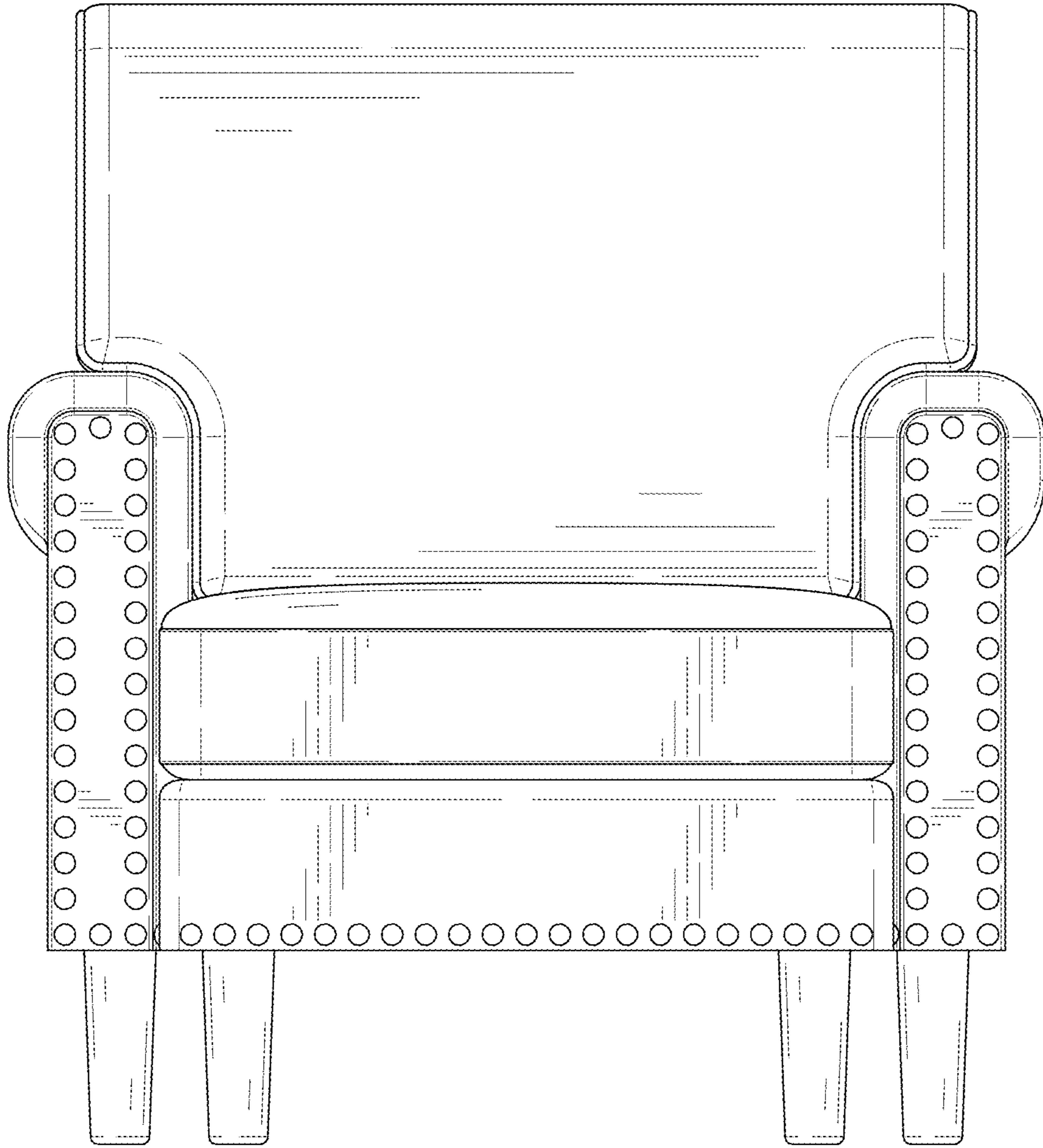


FIG. 3

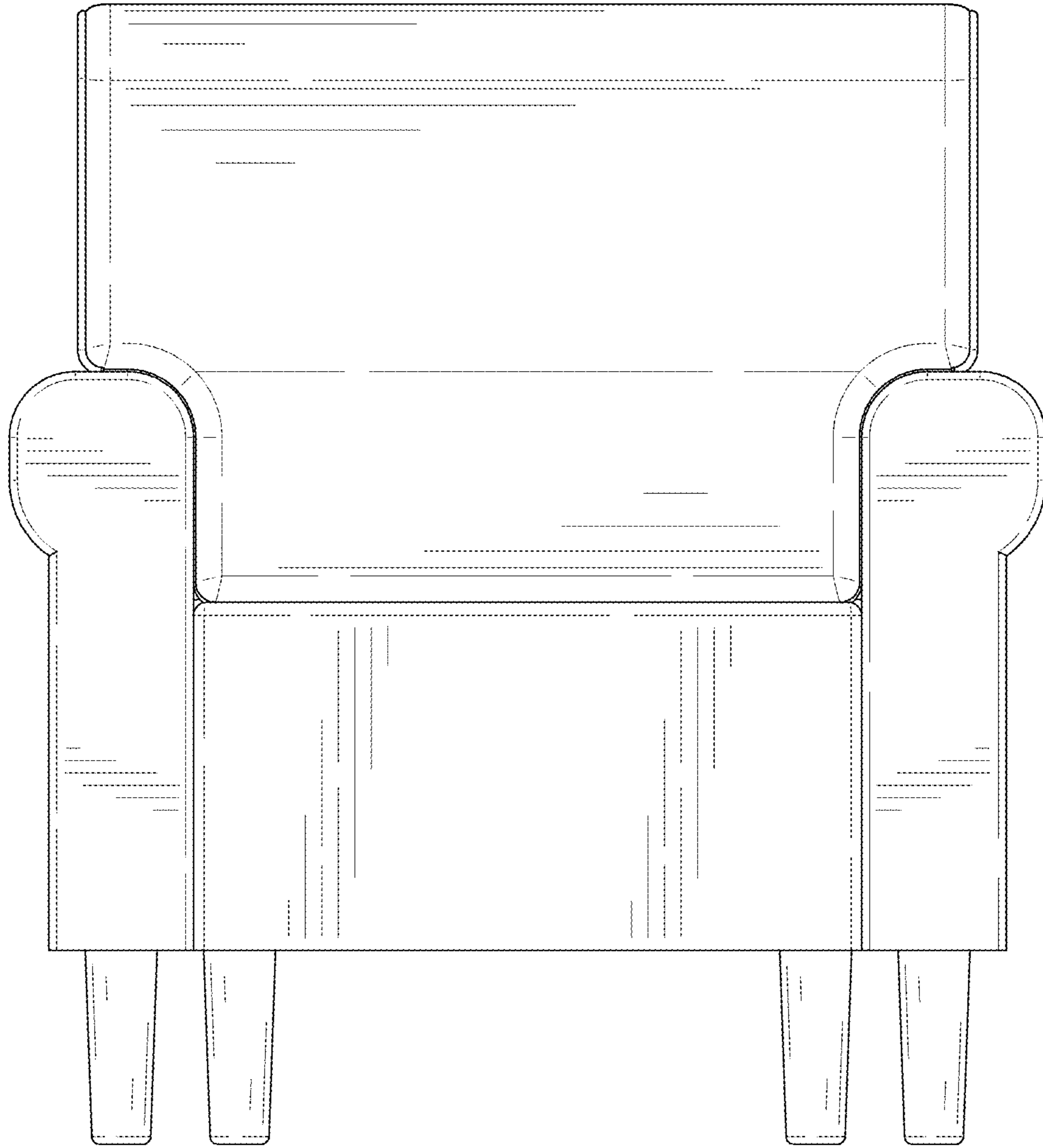


FIG. 4

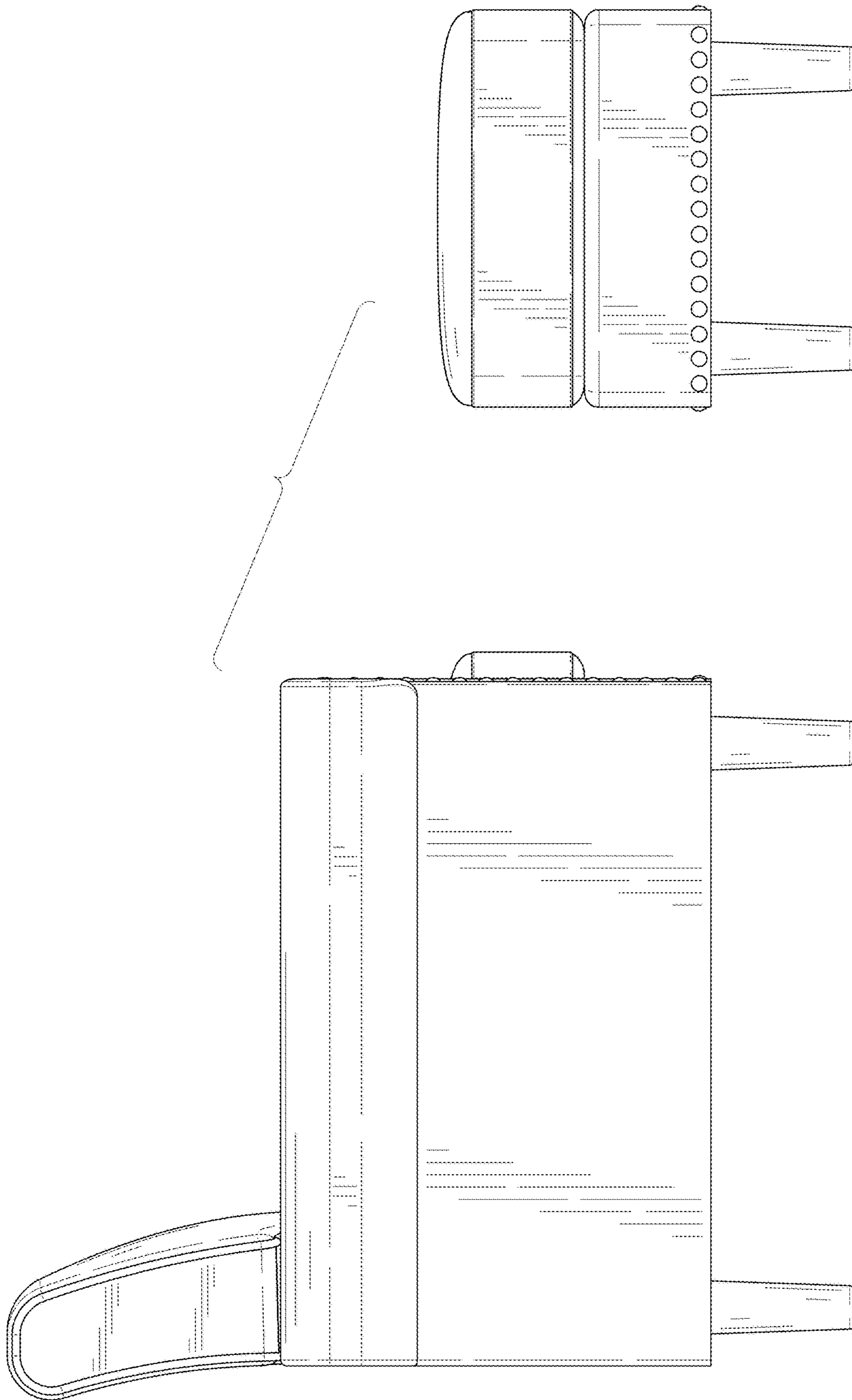


FIG. 5

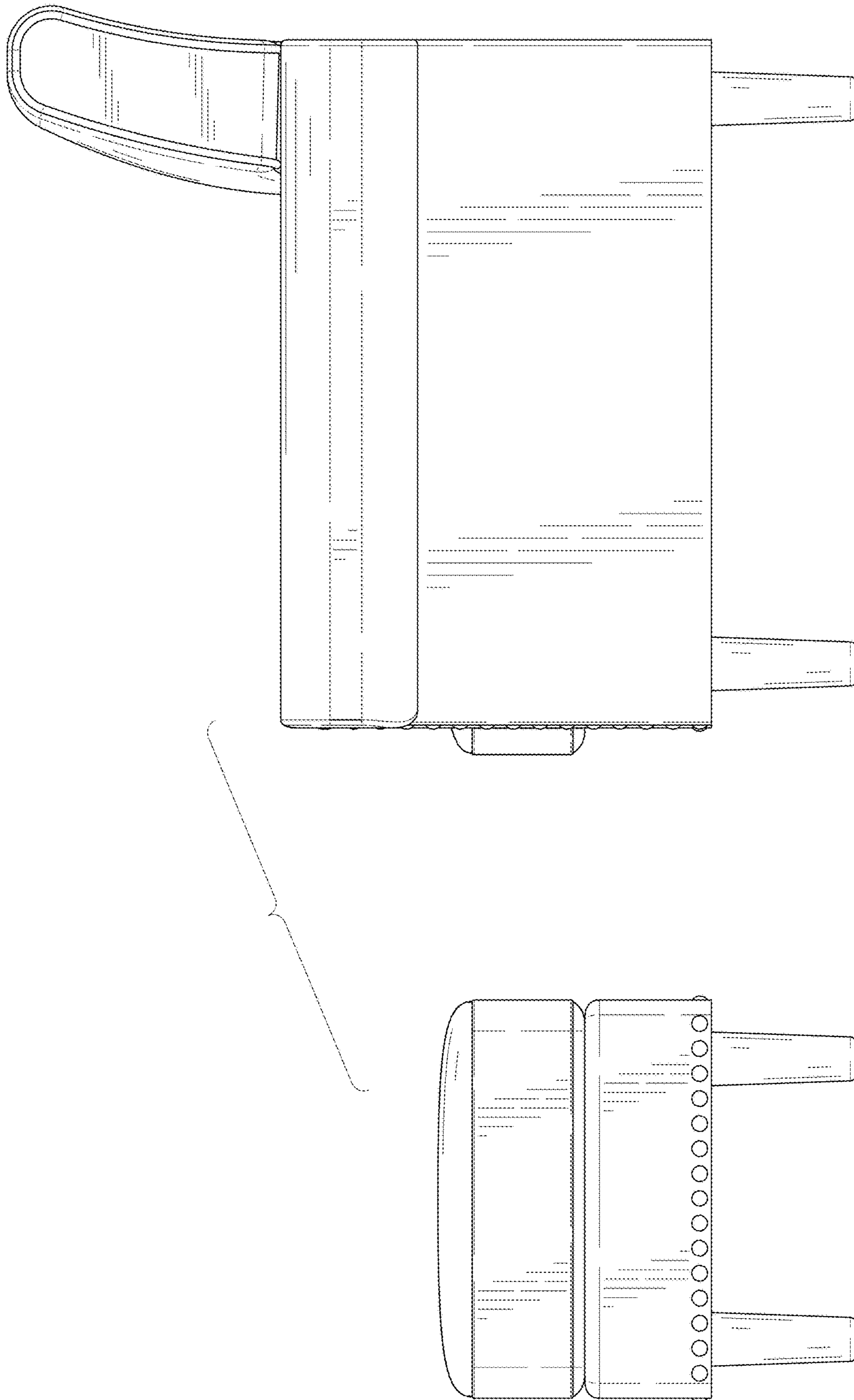


FIG. 6



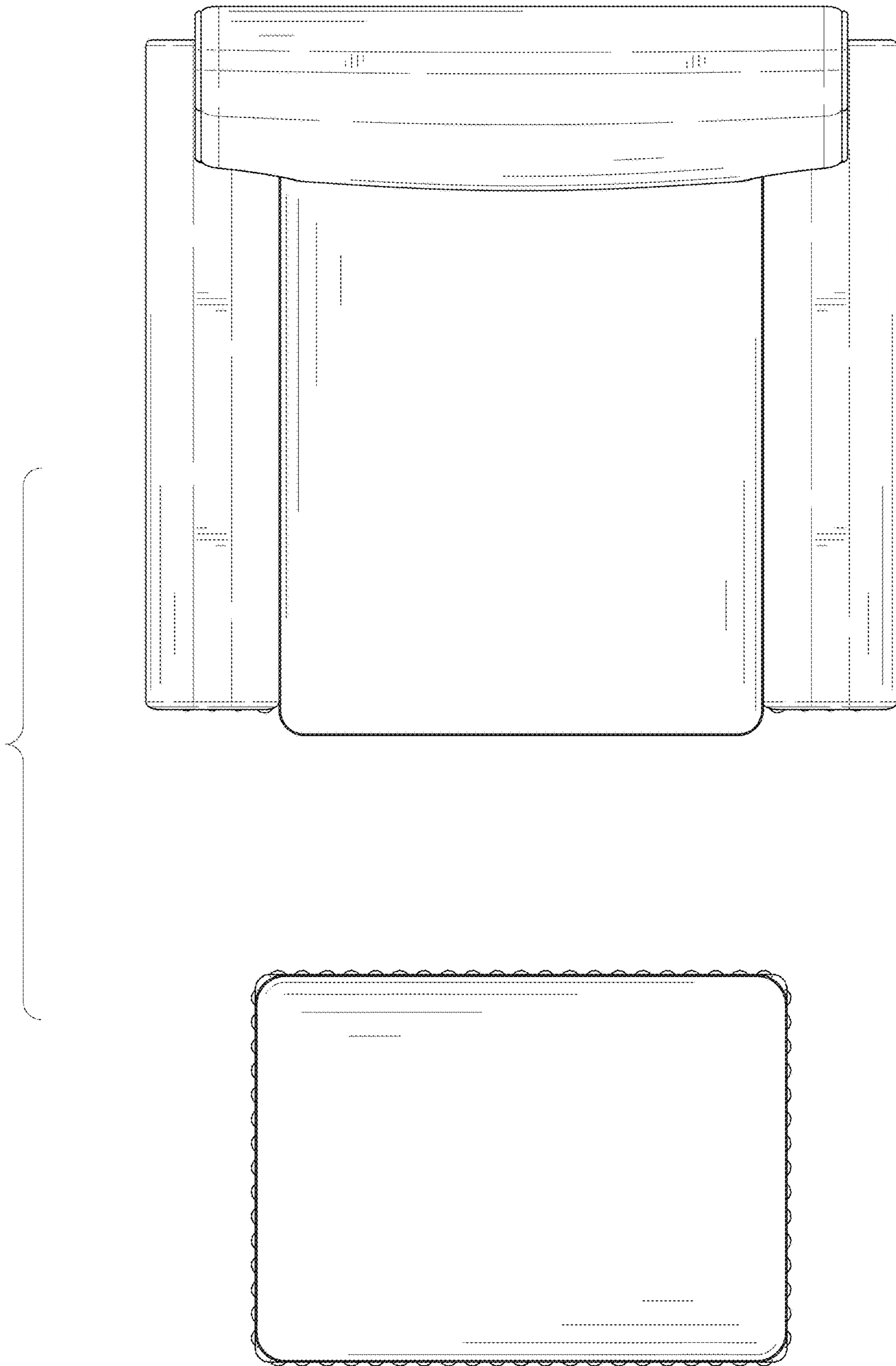


FIG. 7

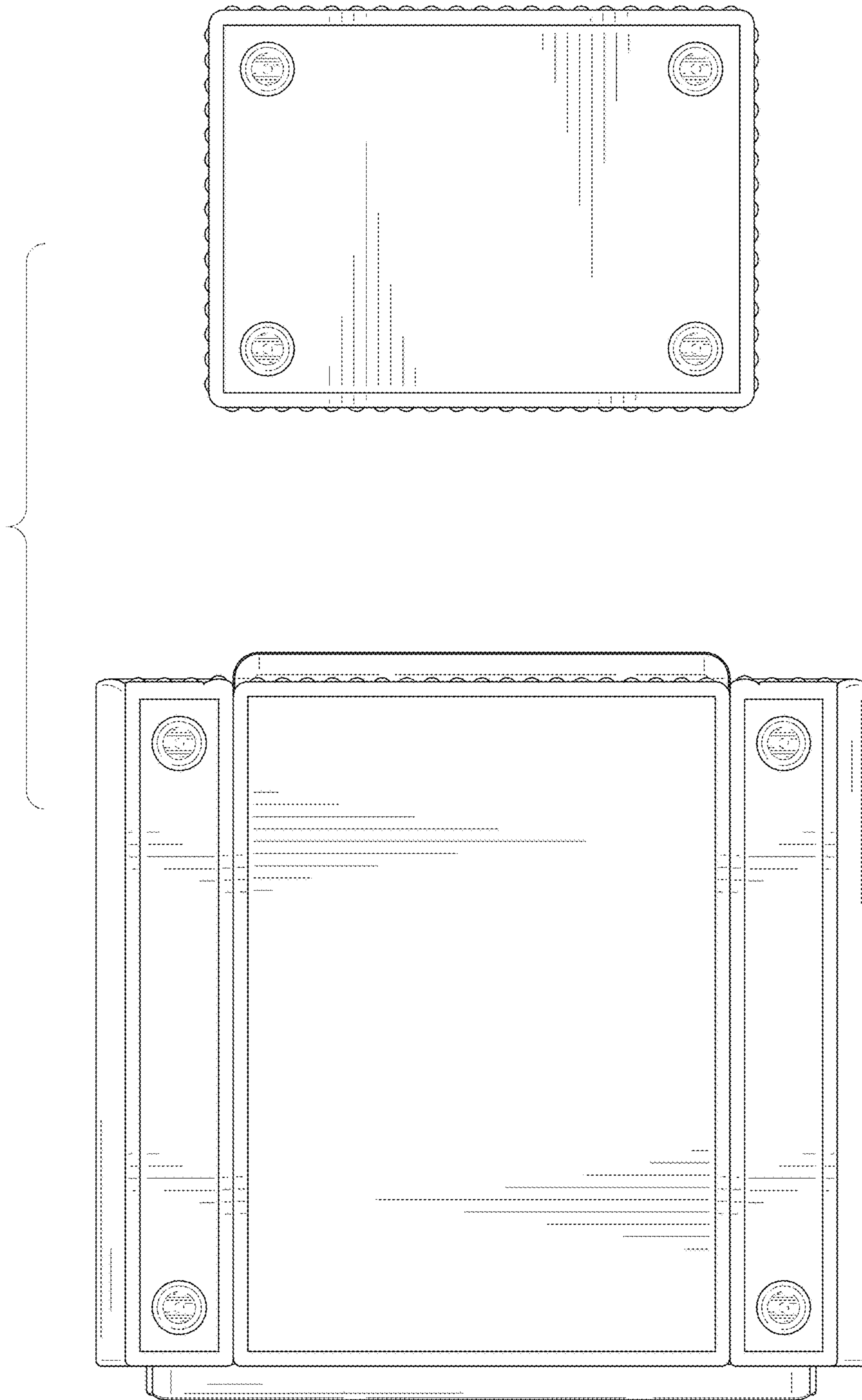


FIG. 8

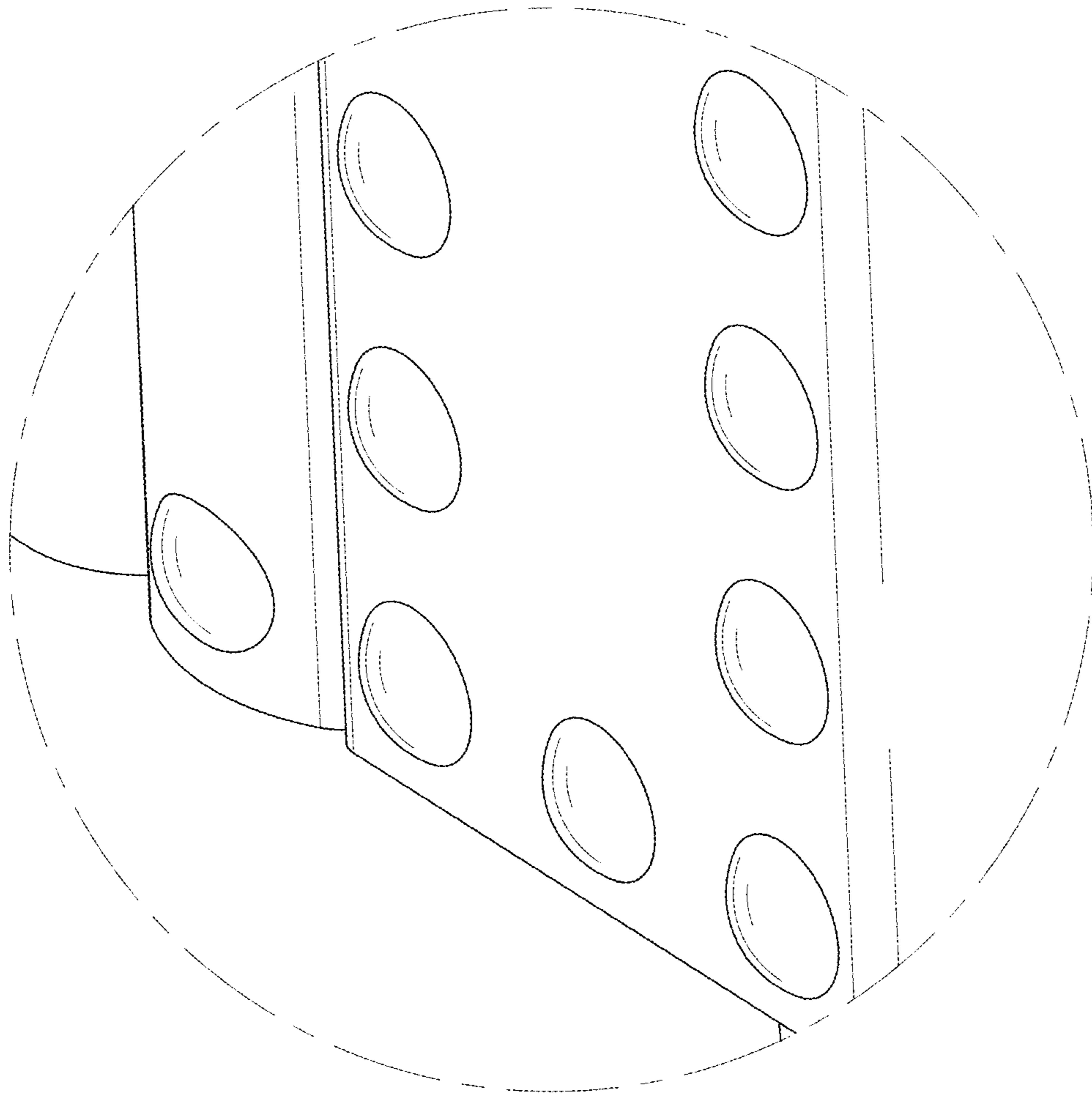


FIG. 9