



US00D974781S

(12) **United States Design Patent** (10) **Patent No.:** **US D974,781 S**
Tian (45) **Date of Patent:** **** Jan. 10, 2023**

(54) **CHAIR AND OTTOMAN SET**
(71) Applicant: **HUIZHOU GREAT HARVEST WORLDWIDE INDUSTRY CO., LTD**, Huizhou (CN)
(72) Inventor: **Xuming Tian**, Liuyang (CN)
(73) Assignee: **HUIZHOU GREAT HARVEST WORLDWIDE INDUSTRY CO., LTD**, Huizhou (CN)
(**) Term: **15 Years**
(21) Appl. No.: **29/800,959**
(22) Filed: **Jul. 26, 2021**
(51) **LOC (14) Cl.** **06-01**
(52) **U.S. Cl.**
USPC **D6/335**
(58) **Field of Classification Search**
USPC D6/334, 335, 336, 349, 355, 360, 361, D6/369, 370, 374, 375, 378, 379, 380, D6/650, 716, 716.1, 716.3
CPC A47C 4/02; A47C 4/03; A47C 3/12; A47C 5/04; A47C 5/12; A47C 4/024; A47C 4/028; A47C 7/54; A47C 1/00; A47C 3/38; A47C 7/006; A47C 13/00; A47C 15/00
See application file for complete search history.

D664,778 S * 8/2012 Pheasant D6/334
D702,051 S * 4/2014 Rasenberg D6/334
D859,014 S * 9/2019 Lopez D6/334
D874,167 S * 2/2020 Tian D6/334
D951,664 S * 5/2022 Song D6/381
D956,442 S * 7/2022 Tingler D6/374

OTHER PUBLICATIONS

Zouave Chair Ottoman [online], [site visited Oct. 19, 2022]. Available from internet, URL: <<https://www.roomstogo.com/furniture/product/zouave-gray-accent-chair-and-ottoman/18125066>> (Year: 2022).*

Partner Furniture Premium Top-Grain Leather Chair with Ottoman [online], [site visited Oct. 19, 2022]. Available from internet, URL: <<https://www.homesquare.com/Partner-Furniture-Premium-Top-Grain-Leather-Chair-with-Ottoman-Set-in-Steel-Gray-PD9537-CHAIR-OTTOMAN.htm>> (Year: 2022).*

* cited by examiner

Primary Examiner — Cynthia Ramirez
Assistant Examiner — Xavier Marti-Santos

(57) **CLAIM**

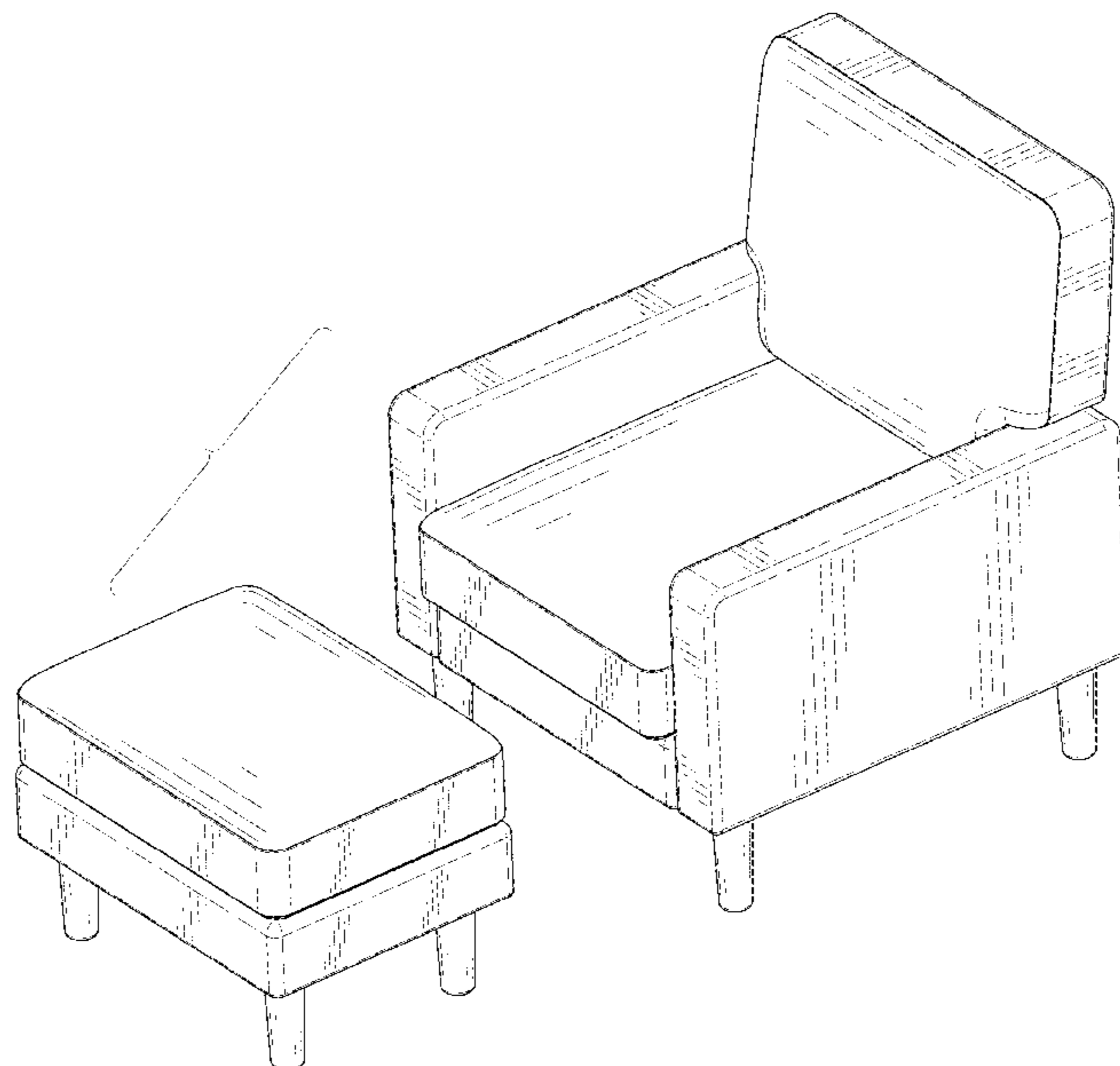
The ornamental design for a chair and ottoman set, as shown and described.

DESCRIPTION

FIG. 1 is a perspective view of a chair and ottoman set showing my new design;
FIG. 2 is another perspective view thereof;
FIG. 3 is a front elevational view thereof;
FIG. 4 is a rear elevational view thereof;
FIG. 5 is a left side elevational view thereof;
FIG. 6 is a right side elevational view thereof;
FIG. 7 is a top plan view thereof; and,
FIG. 8 is a bottom plan view thereof.
The broken lines in the drawings depict portions of the chair and ottoman set that form no part of the claimed design.

1 Claim, 8 Drawing Sheets

(56) **References Cited**
U.S. PATENT DOCUMENTS
D335,222 S * 5/1993 Washington, Jr. D6/335
5,466,041 A * 11/1995 Hoffman A47C 13/00
297/188.1
D489,188 S * 5/2004 Ricci D6/334
D508,335 S * 8/2005 Ghetti D6/335
D533,365 S * 12/2006 Martin D6/334



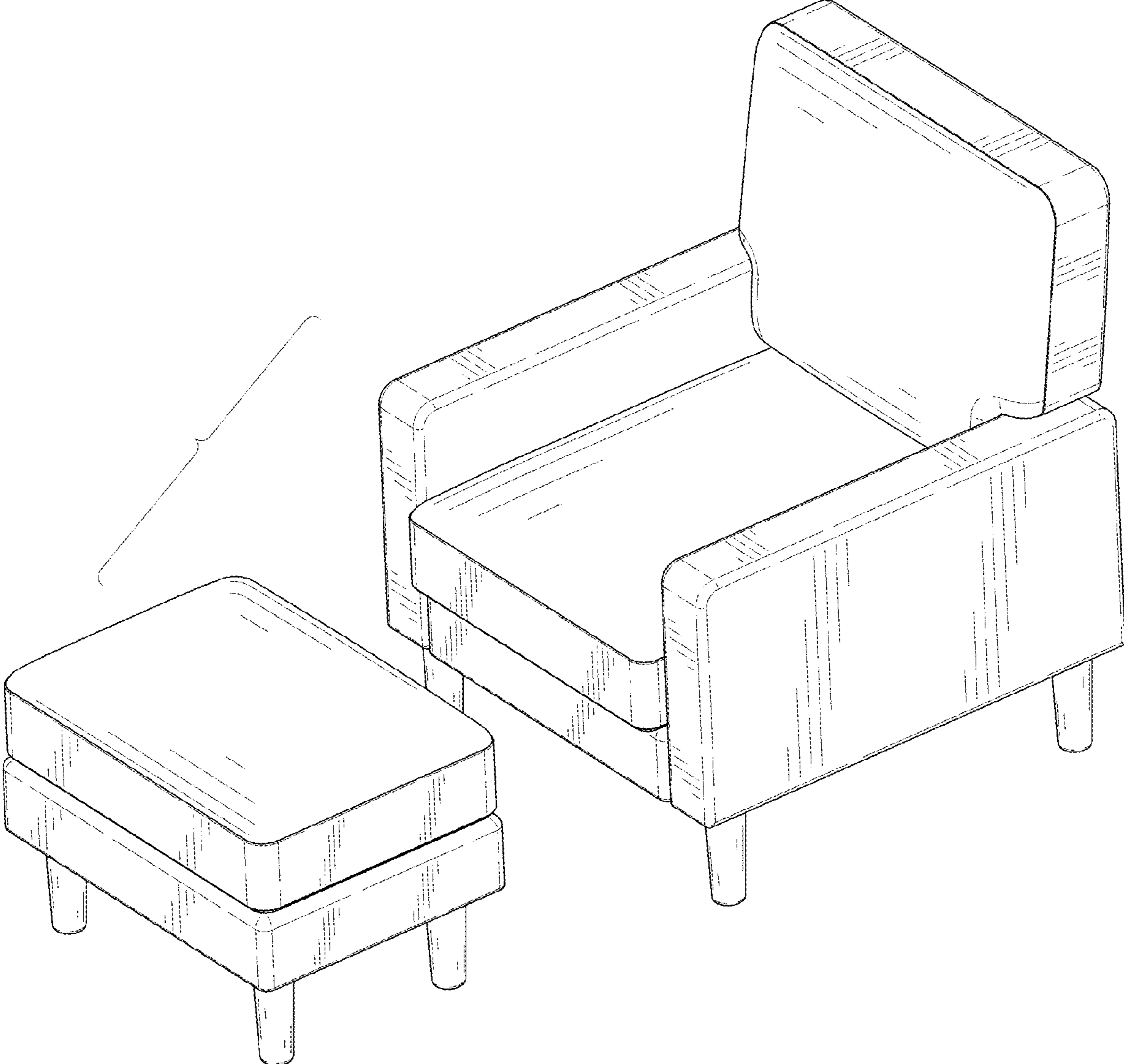


FIG. 1

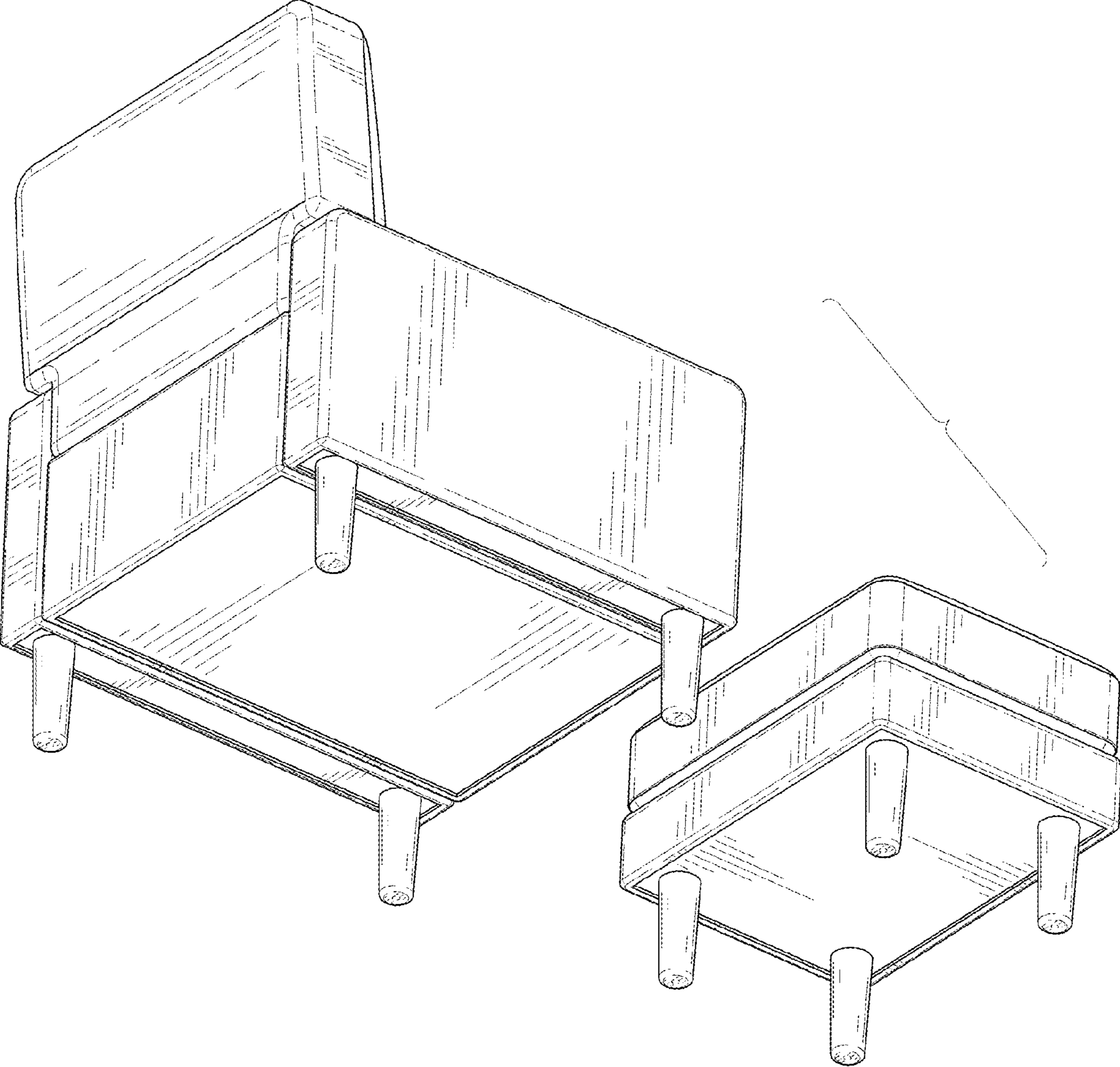


FIG. 2

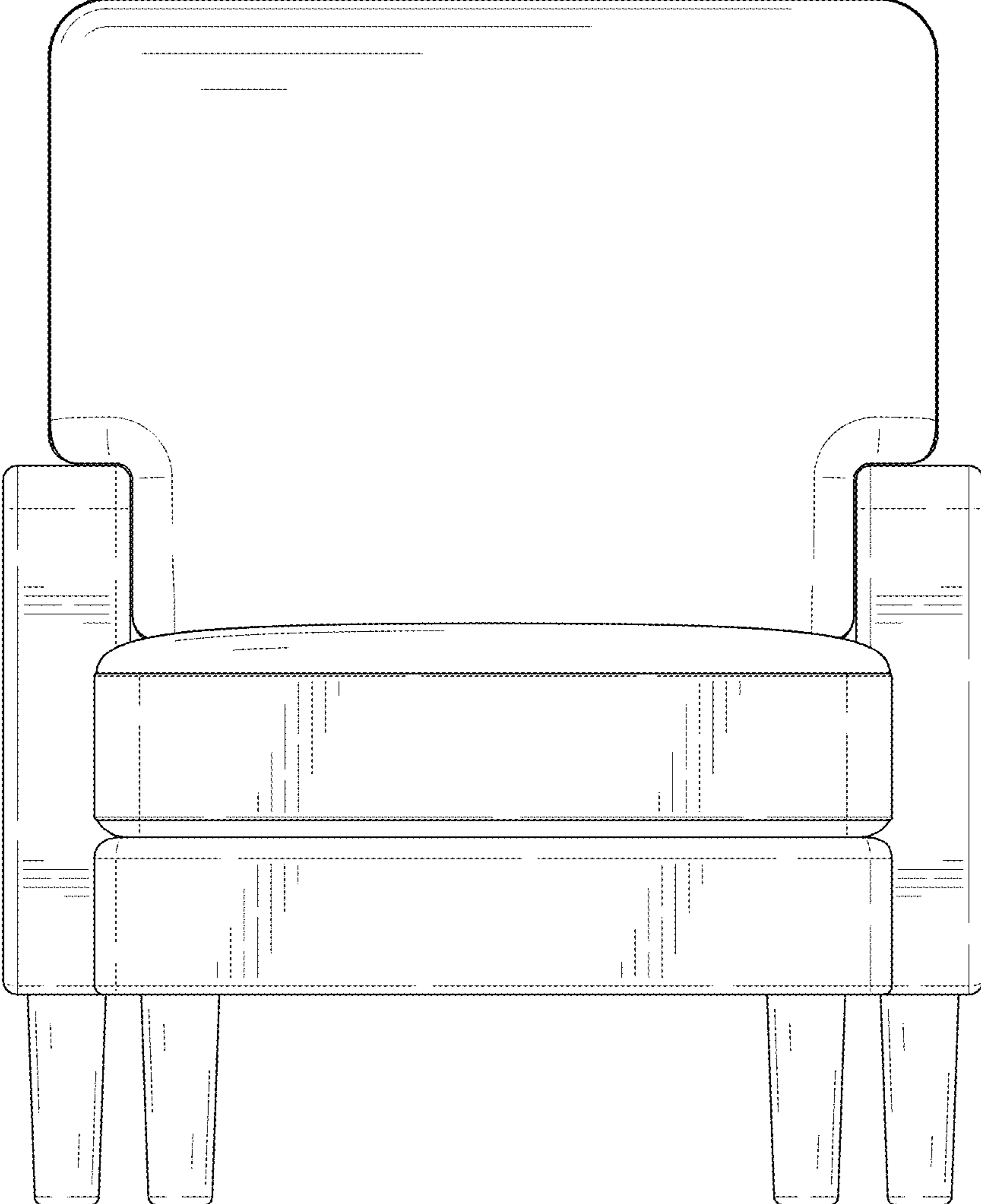


FIG. 3

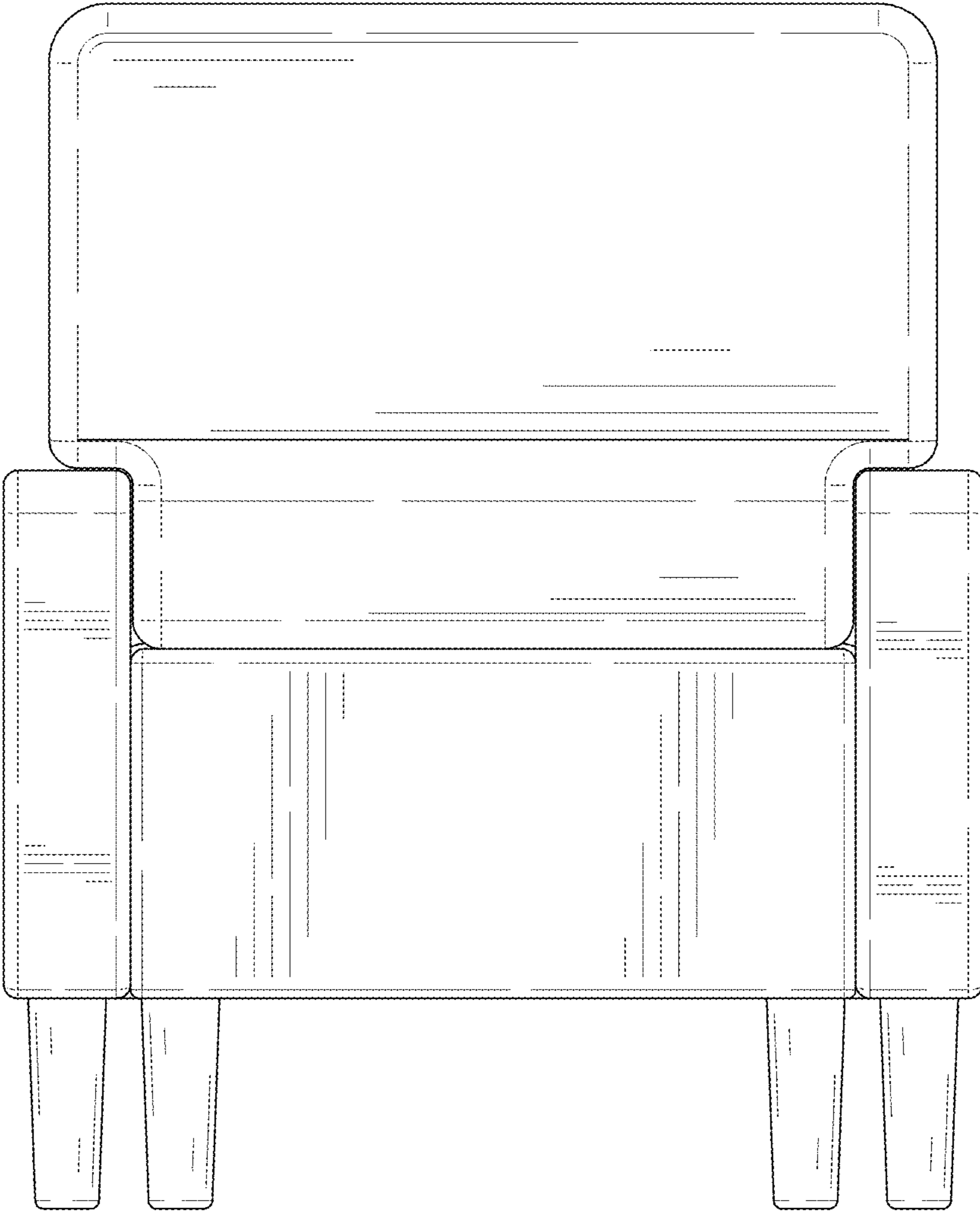


FIG. 4

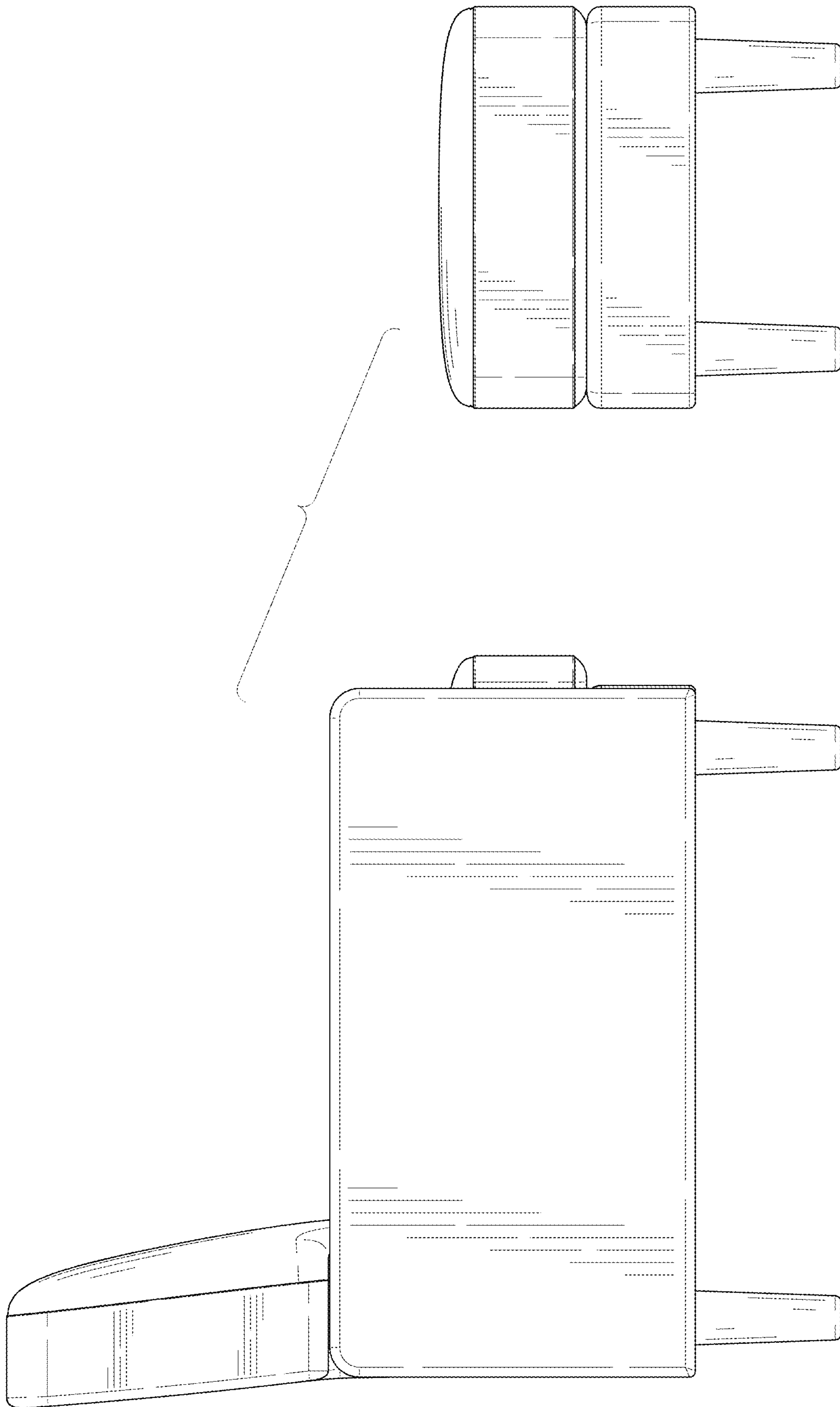


FIG. 5

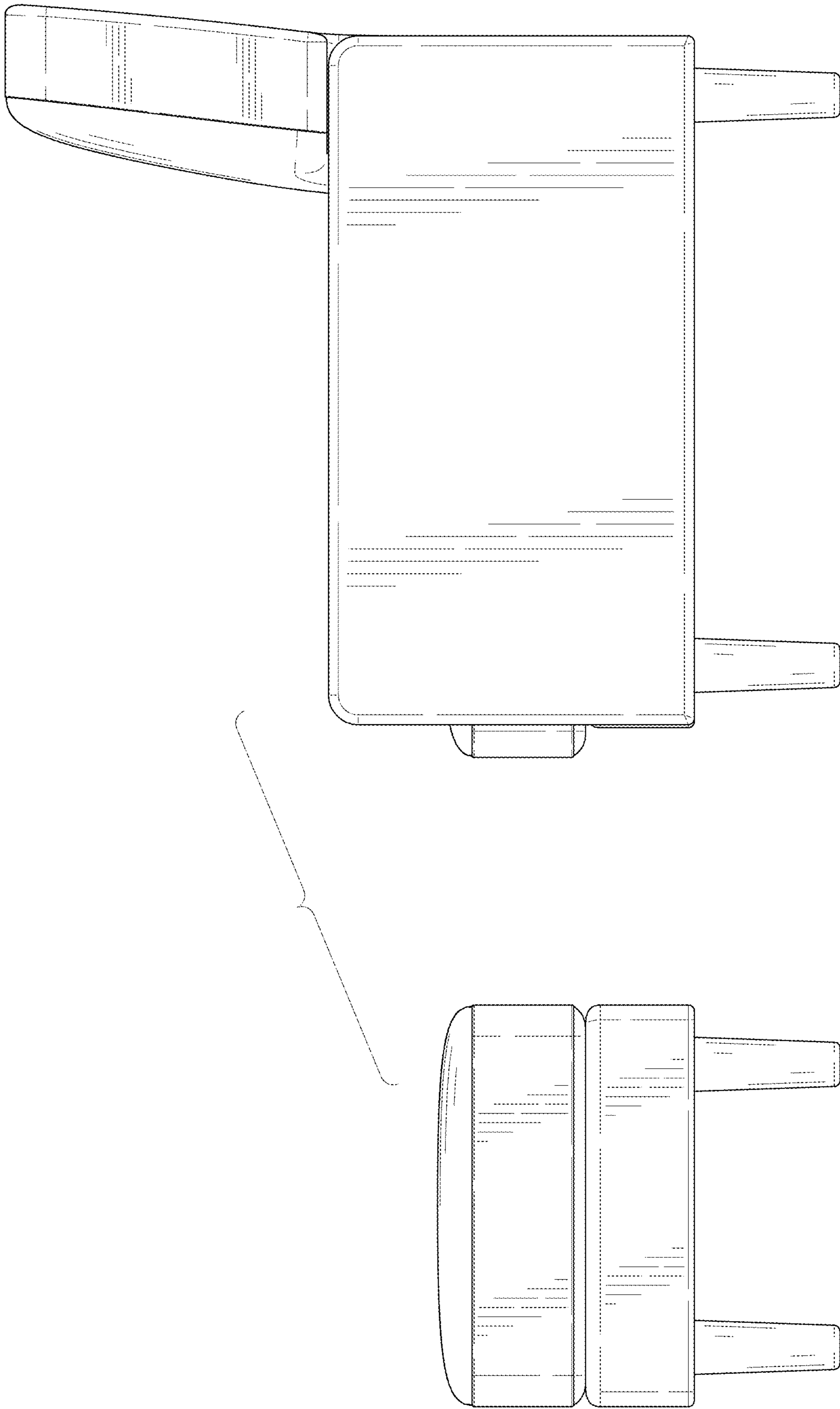


FIG. 6

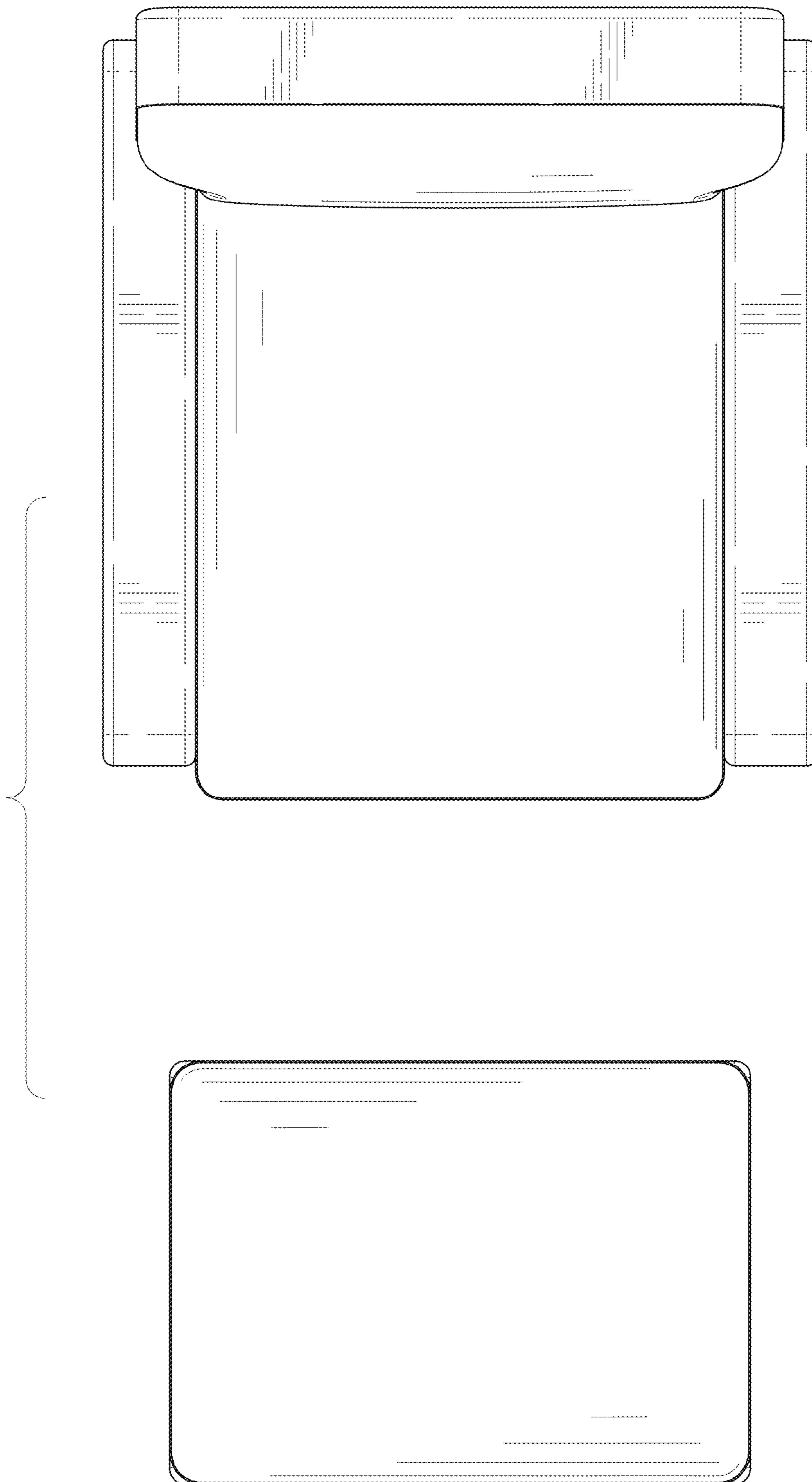


FIG. 7

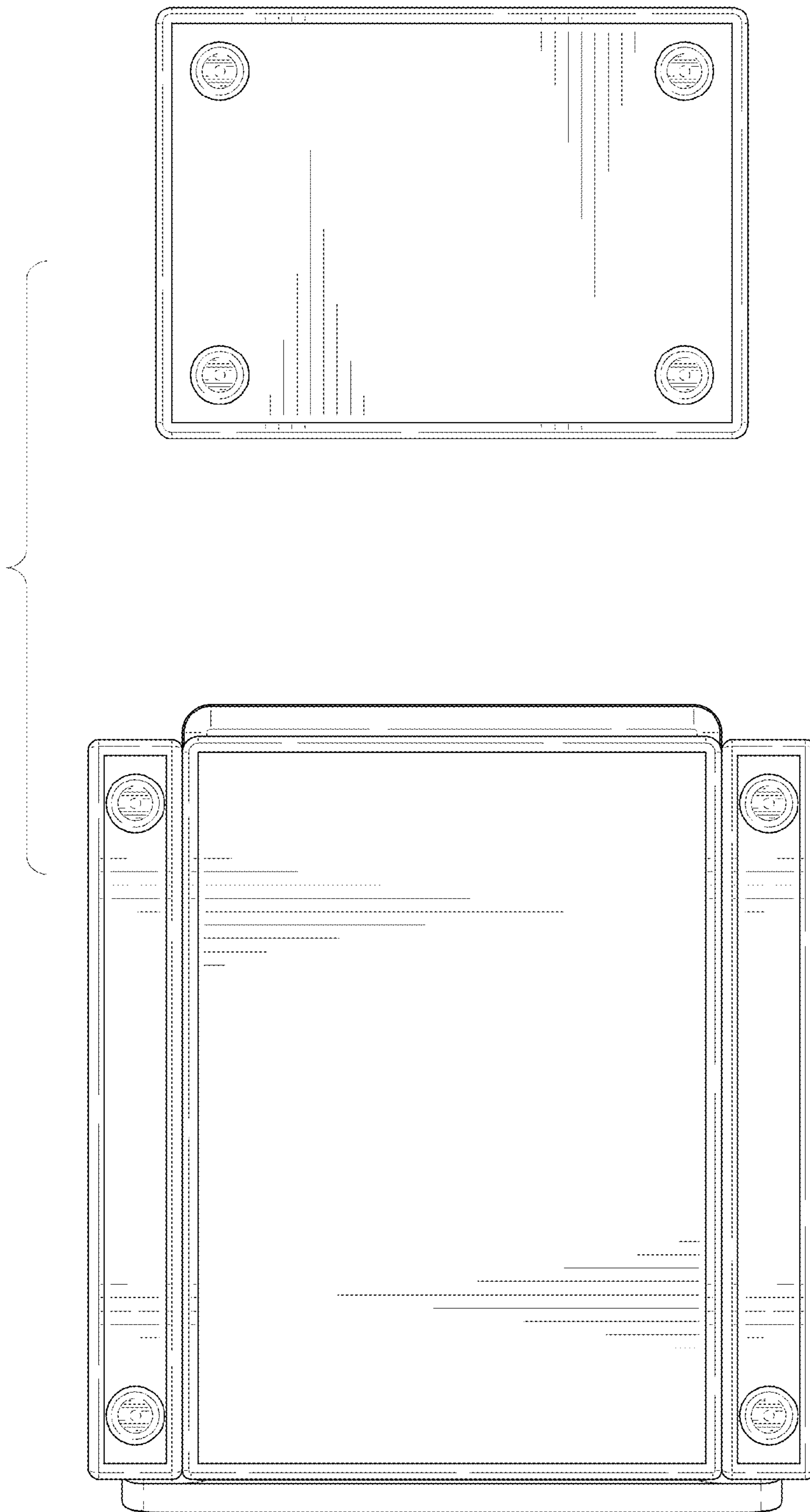


FIG. 8