



US00D974778S

(12) **United States Design Patent** (10) **Patent No.:** **US D974,778 S**  
**Zhi** (45) **Date of Patent:** **\*\* \*Jan. 10, 2023**

(54) **COAT HOOK BASE**

(71) Applicant: **Xucan Zhi**, Guangdong (CN)

(72) Inventor: **Xucan Zhi**, Guangdong (CN)

(\* ) Notice: This patent is subject to a terminal disclaimer.

(\*\*) Term: **15 Years**

(21) Appl. No.: **29/814,154**

(22) Filed: **Nov. 3, 2021**

(51) **LOC (14) Cl.** ..... **06-08**

(52) **U.S. Cl.**  
USPC ..... **D6/328; D6/320; D6/323**

(58) **Field of Classification Search**  
USPC ..... D6/315, 317-320, 323, 326, 328, 553,  
D6/672; D8/367, 372, 373, 380  
CPC ..... A47G 25/00; A47G 25/06; A47G 25/10;  
A47G 25/28; A47G 25/30; A47G 25/32;  
A47G 25/68; A47G 1/00  
See application file for complete search history.

(56) **References Cited**

**U.S. PATENT DOCUMENTS**

|                   |         |              |       |                         |
|-------------------|---------|--------------|-------|-------------------------|
| D59,456 S *       | 10/1921 | Cole         | ..... | D6/320                  |
| 3,829,999 A *     | 8/1974  | Bernstein    | ..... | G09F 13/0413<br>40/605  |
| D291,154 S *      | 8/1987  | Owen         | ..... | D6/323                  |
| D473,455 S *      | 4/2003  | Goodman      | ..... | D8/372                  |
| D494,048 S *      | 8/2004  | Goodman      | ..... | D8/372                  |
| D559,089 S *      | 1/2008  | Goodman      | ..... | D8/372                  |
| D706,614 S *      | 6/2014  | Schraufnagel | ..... | D8/372                  |
| D741,069 S *      | 10/2015 | Vanderheyden | ..... | D6/300                  |
| D751,372 S *      | 3/2016  | Thompson     | ..... | D8/372                  |
| D802,325 S *      | 11/2017 | Holguin      | ..... | D8/372                  |
| 10,258,180 B2 *   | 4/2019  | Malott       | ..... | F16B 45/00              |
| D913,708 S *      | 3/2021  | Theroux      | ..... | D6/567                  |
| D955,137 S *      | 6/2022  | Worden, IV   | ..... | D6/569                  |
| 2008/0095962 A1 * | 4/2008  | Lee          | ..... | G09F 3/0288<br>428/40.1 |

**OTHER PUBLICATIONS**

Design #008706527-0006, App. Date Sep. 27, 2021, Country code EU, Publication date Sep. 30, 2021, Owner name Xucan Zhi, Creator Xucan Zhi. (Year: 2021).\*  
Wooden wall mounted folding rack, available in amazon.com, date first available Aug. 13, 2019, site visited Jul. 20, 2022 URL:https://www.amazon.com/Mounted-Folding-Floating-Space-Saving-Scarves/dp/B07WFDX5B4?th=1 (Year: 2019).\*

\* cited by examiner

*Primary Examiner* — Mary Ann Calabrese

*Assistant Examiner* — Mark David Wolfley

(74) *Attorney, Agent, or Firm* — Rumit Ranjit Kanakia

(57) **CLAIM**

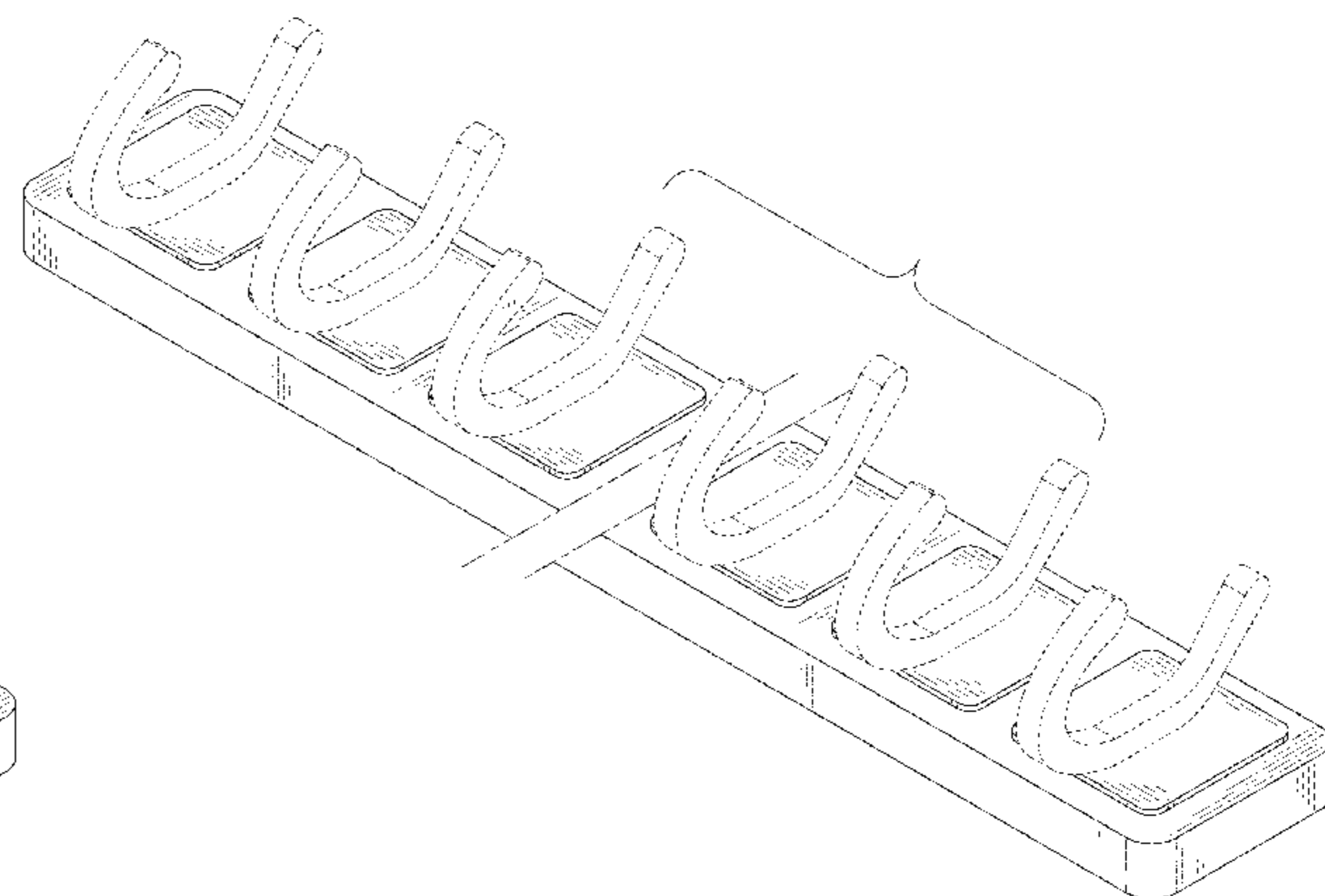
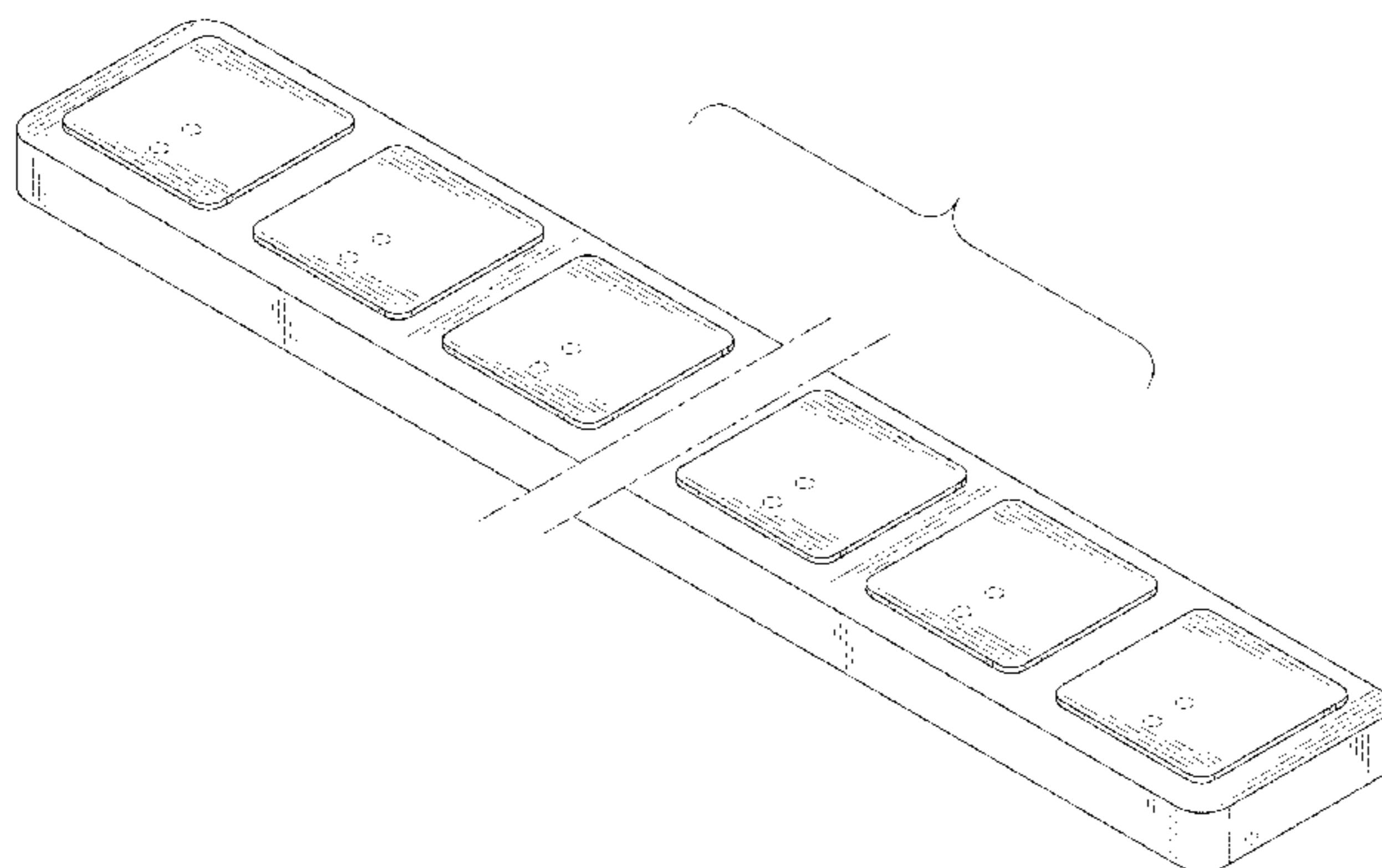
The ornamental design for a coat hook base, as shown and described.

**DESCRIPTION**

FIG. 1 is a front, right, top perspective view of coat hook base, showing my new design;  
FIG. 2 is a rear, left, bottom perspective view thereof;  
FIG. 3 is a front elevation view thereof;  
FIG. 4 is a rear elevation view thereof;  
FIG. 5 is a left side elevational view thereof;  
FIG. 6 is a right side elevational view thereof;  
FIG. 7 is a top plan view thereof;  
FIG. 8 is a bottom plan view thereof; and,  
FIG. 9 is a front, right, top perspective view of the coat hook base in use.

The broken lines shown in the drawings are included for the purpose of illustrating portions of the coat hook base that form no part of the claimed design. The coat hook base is shown with a symbolic break in its length, any portion of the article between the break lines forms no part of the claimed design.

**1 Claim, 9 Drawing Sheets**



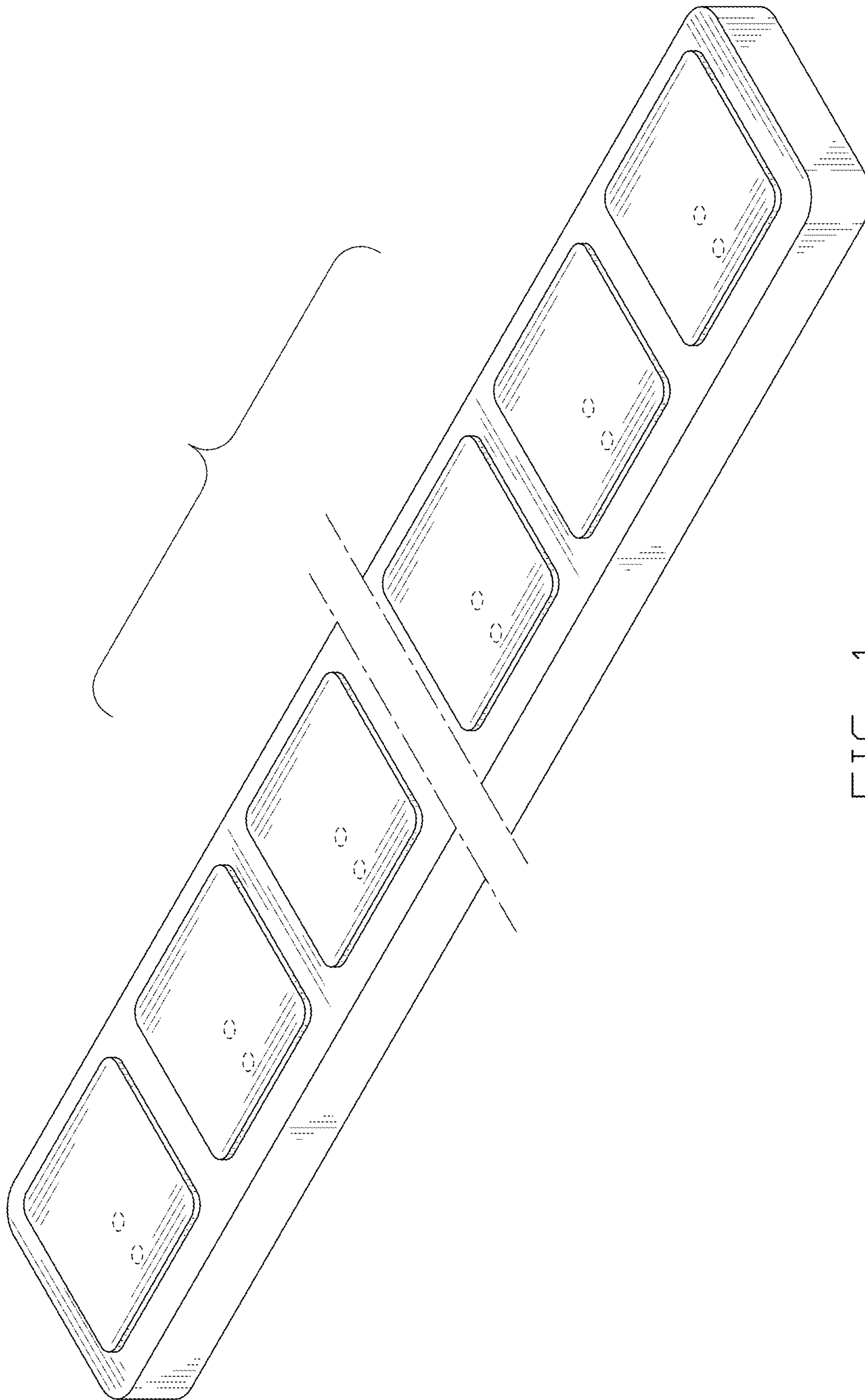


FIG. 1

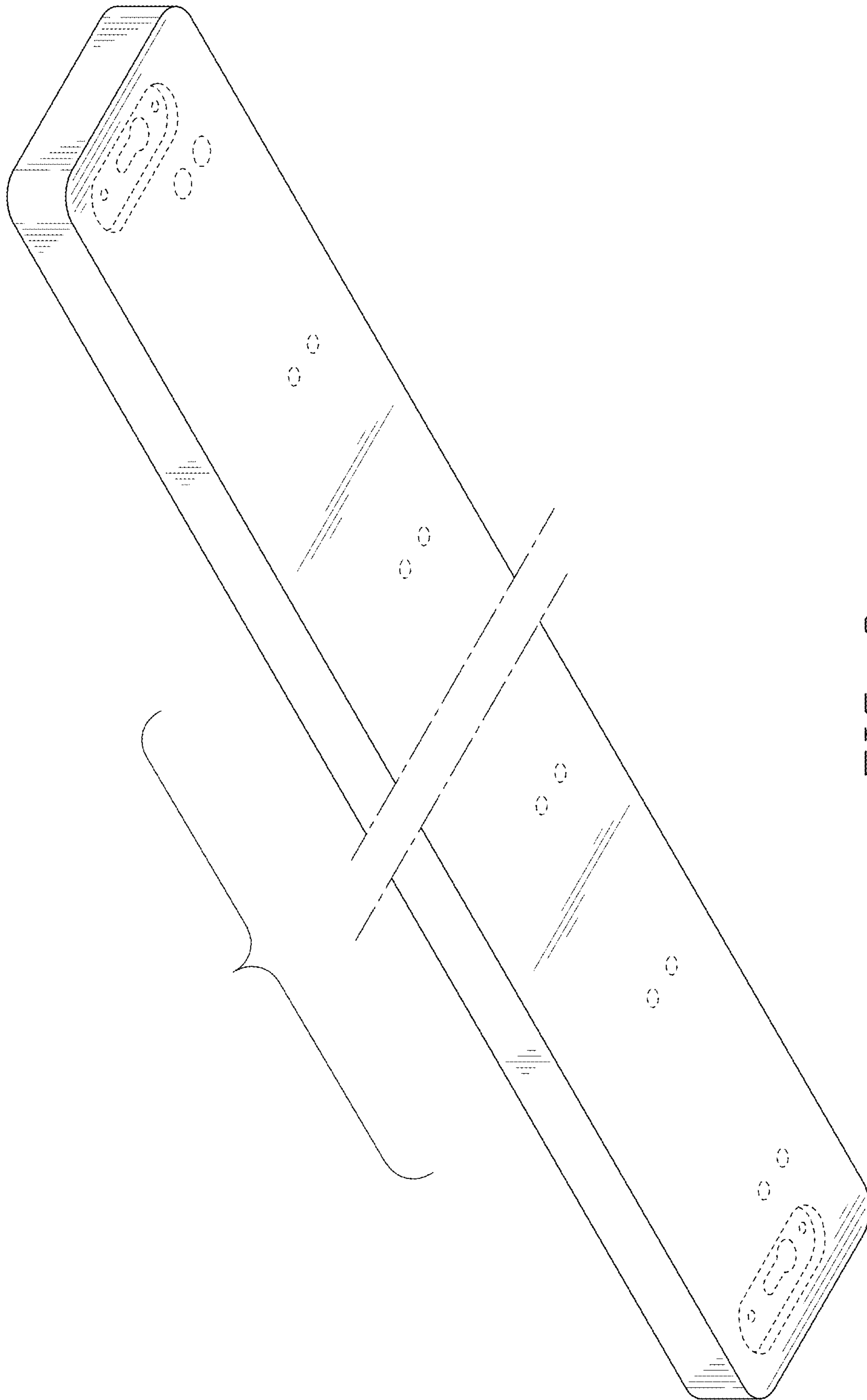


FIG. 2

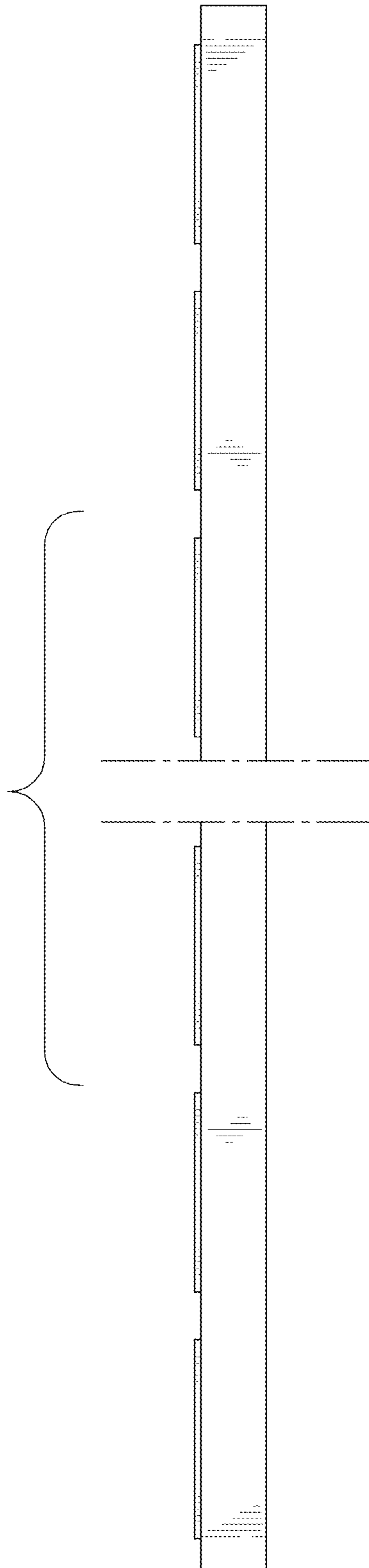


FIG. 3

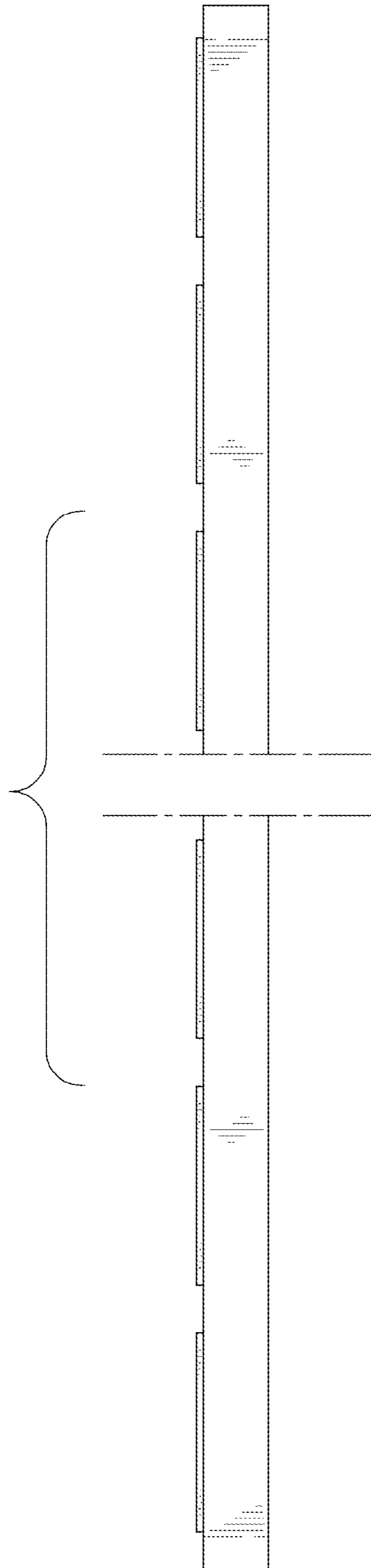


FIG. 4

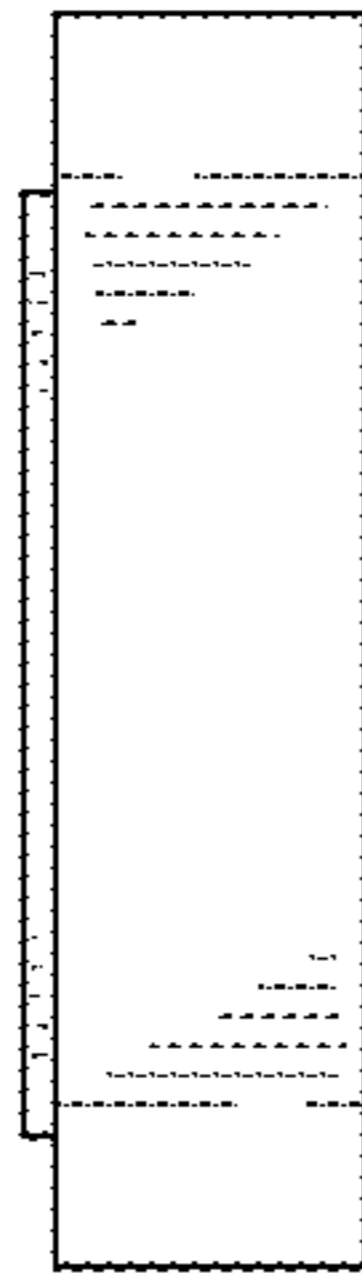


FIG. 5



FIG. 6

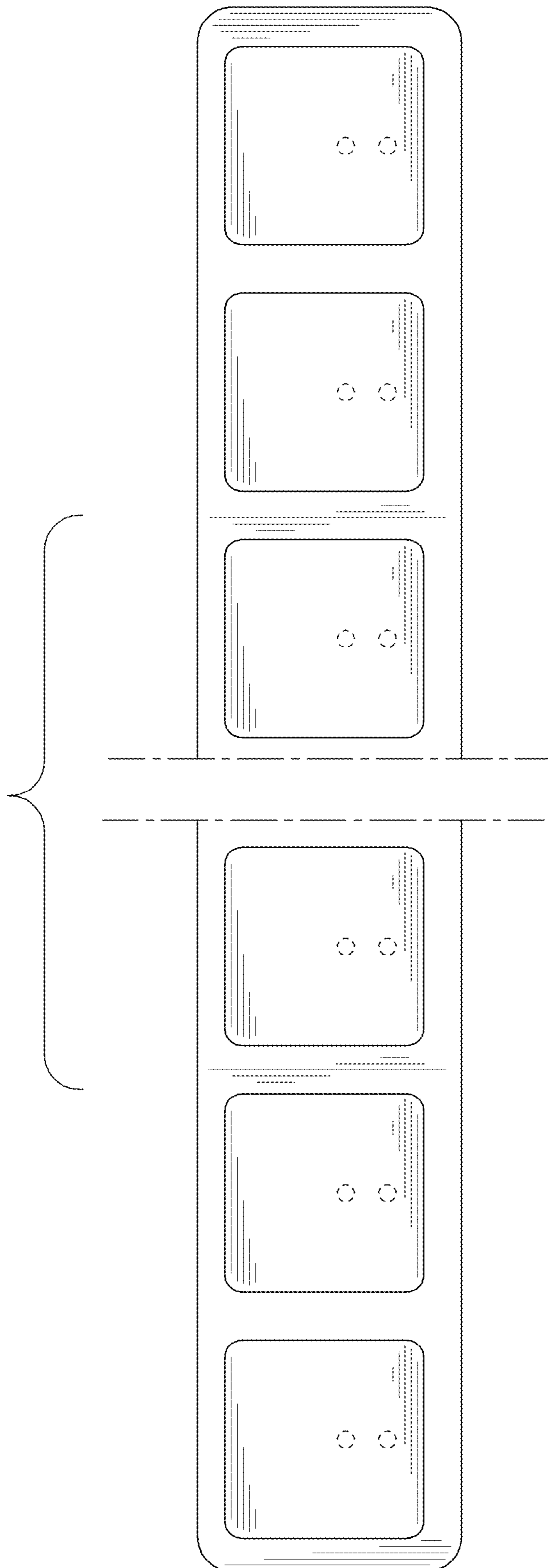


FIG. 7



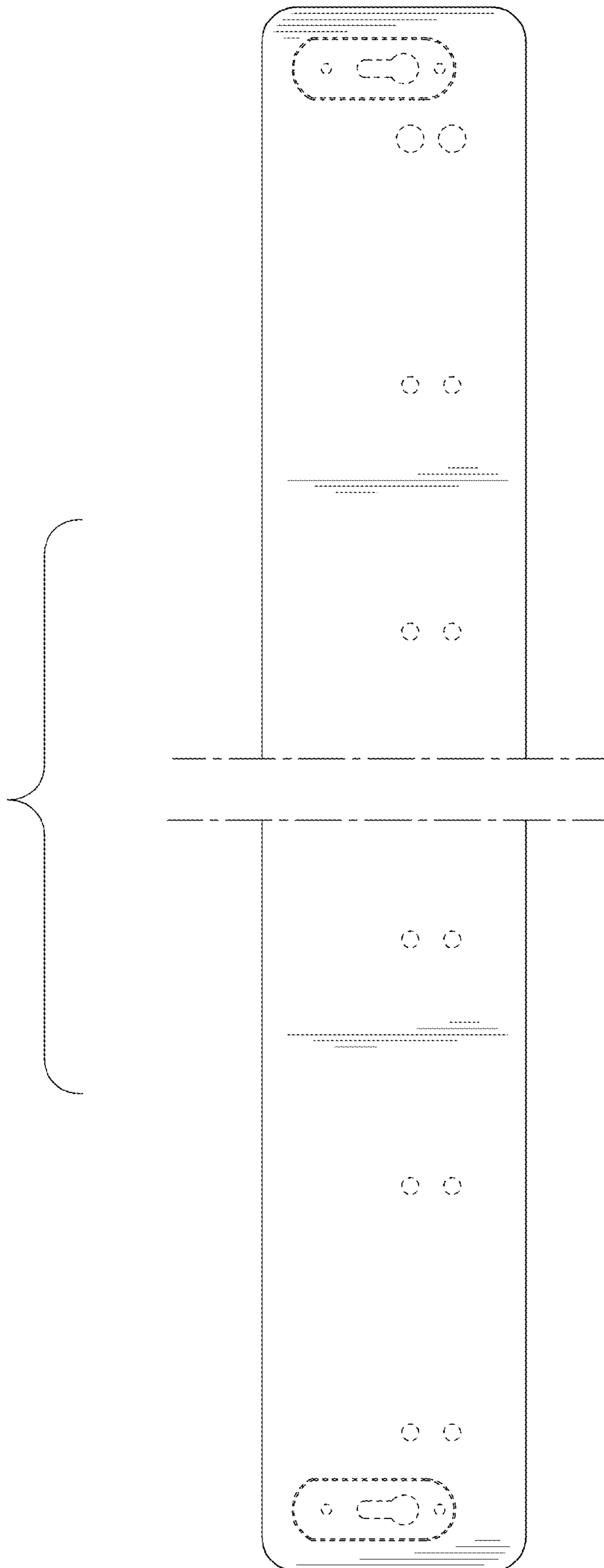


FIG. 8

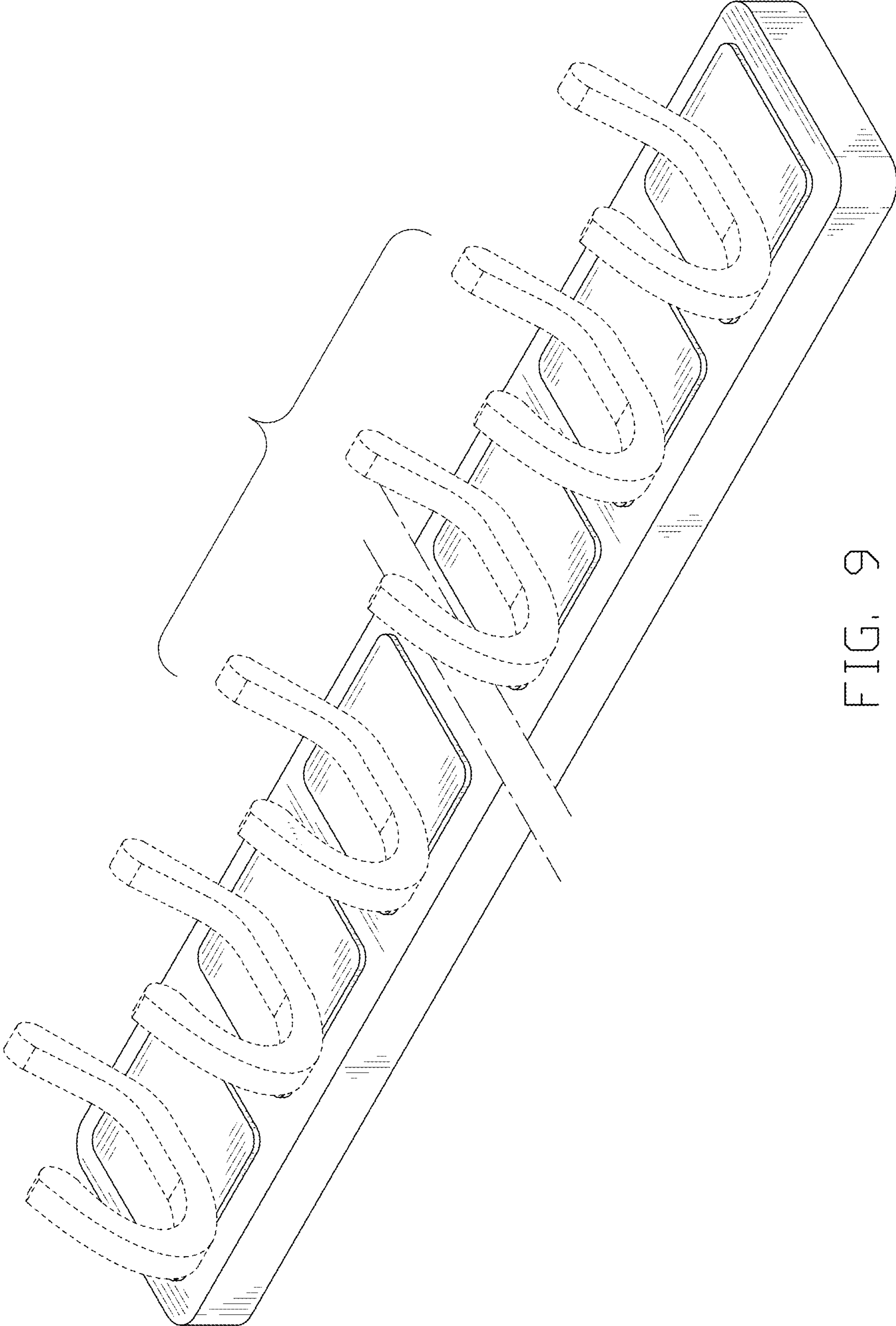


FIG. 9