



US00D974776S

(12) **United States Design Patent**
Zhang et al.

(10) **Patent No.:** **US D974,776 S**
(45) **Date of Patent:** **** Jan. 10, 2023**

(54) **MAKEUP MIRROR**

(71) Applicant: **Shenzhen Tianyuji Technology Co., Ltd.**, Guangdong (CN)

(72) Inventors: **Bo Zhang**, Guangdong (CN); **Yunxiang Rao**, Guangdong (CN)

(73) Assignee: **Shenzhen Tianyuji Technology Co., Ltd.**, Guangdong (CN)

(**) Term: **15 Years**

(21) Appl. No.: **29/830,781**

(22) Filed: **Mar. 15, 2022**

(30) **Foreign Application Priority Data**

Sep. 16, 2021 (CN) 202130616150.6

(51) **LOC (14) Cl.** **06-07**

(52) **U.S. Cl.**
USPC **D6/310**

(58) **Field of Classification Search**
USPC D6/300-314
CPC .. A47G 1/00; A47G 2001/002; F21V 33/004;
A45D 42/10
See application file for complete search history.

(56) **References Cited**

U.S. PATENT DOCUMENTS

D895,986 S *	9/2020	Yang	D6/312
D897,697 S *	10/2020	Liu	D6/310
D907,375 S *	1/2021	Liang	D6/312
D924,796 S	7/2021	Ye		
D940,473 S	1/2022	Chen		
D942,762 S *	2/2022	Zhu	D6/310

D951,660 S *	5/2022	Li	D6/310
D955,022 S *	6/2022	Zeng	D6/309
D955,761 S *	6/2022	Liu	D6/310

* cited by examiner

Primary Examiner — Deanna L Pratt
(74) *Attorney, Agent, or Firm* — ScienBiziP, P.C.

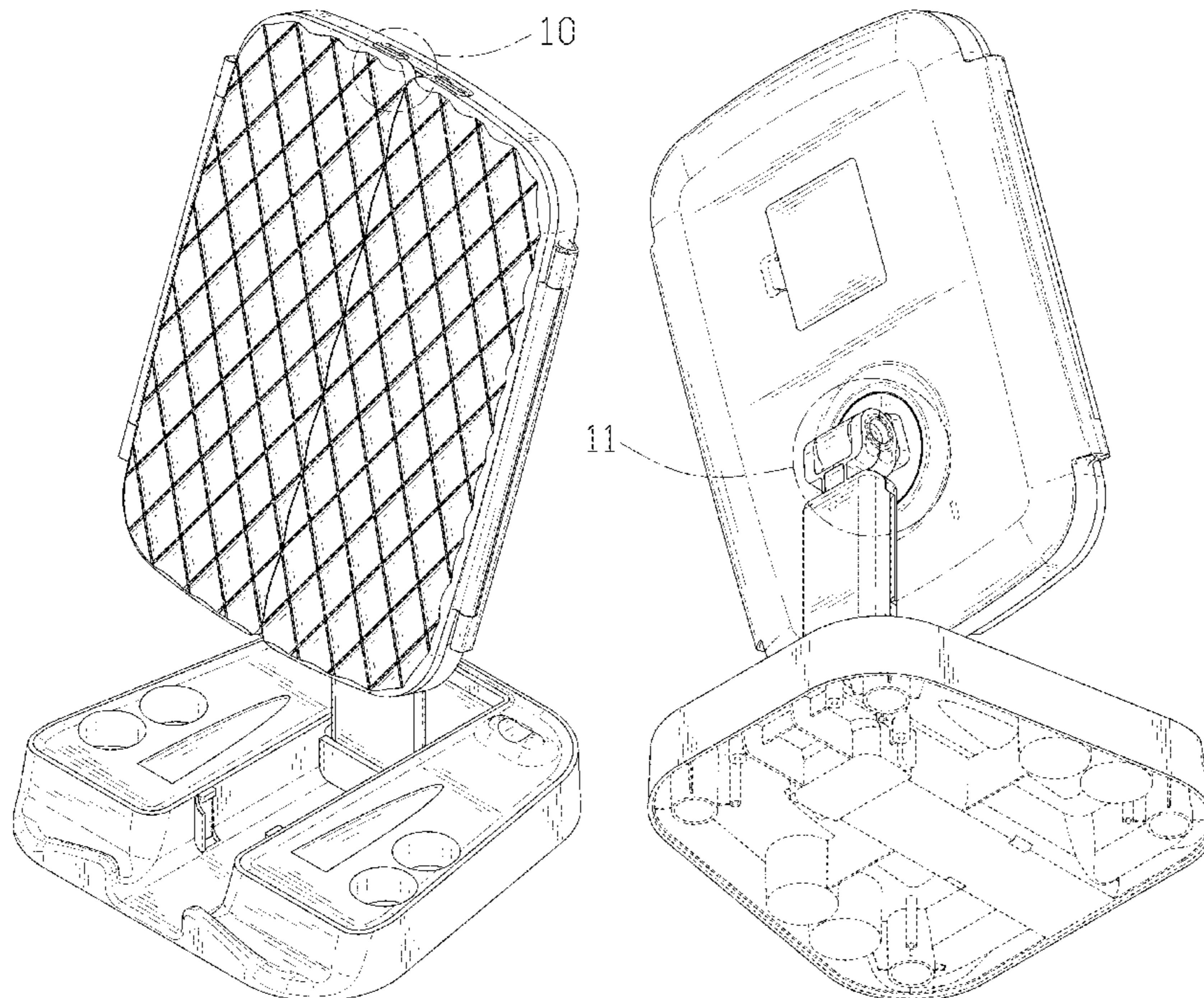
(57) **CLAIM**

The ornamental design for a makeup mirror, as shown and described.

DESCRIPTION

FIG. 1 is a front, right, and top perspective view of a makeup mirror, showing our design.
 FIG. 2 is a rear, left, and bottom perspective view thereof.
 FIG. 3 is a front elevation view thereof.
 FIG. 4 is a rear elevation view thereof.
 FIG. 5 is a left side elevation view thereof.
 FIG. 6 is a right side elevation view thereof.
 FIG. 7 is a top plan view thereof.
 FIG. 8 is a bottom plan view thereof.
 FIG. 9 is another front, right, and top perspective view of the makeup mirror in FIG. 1 in a state of use.
 FIG. 10 is a partial enlarged view of an area labeled 10 in FIG. 1 comprising a groove; and,
 FIG. 11 is a partial enlarged view of an area labeled 11 in FIG. 2 comprising a junction.
 The broken lines shown in the drawings are included for the purpose of illustrating portions of the makeup mirror that form no part of the claimed design.
 Dot-dash broken lines framing portions of the claimed design that are illustrated for enlargements form no part of the claimed design.

1 Claim, 11 Drawing Sheets



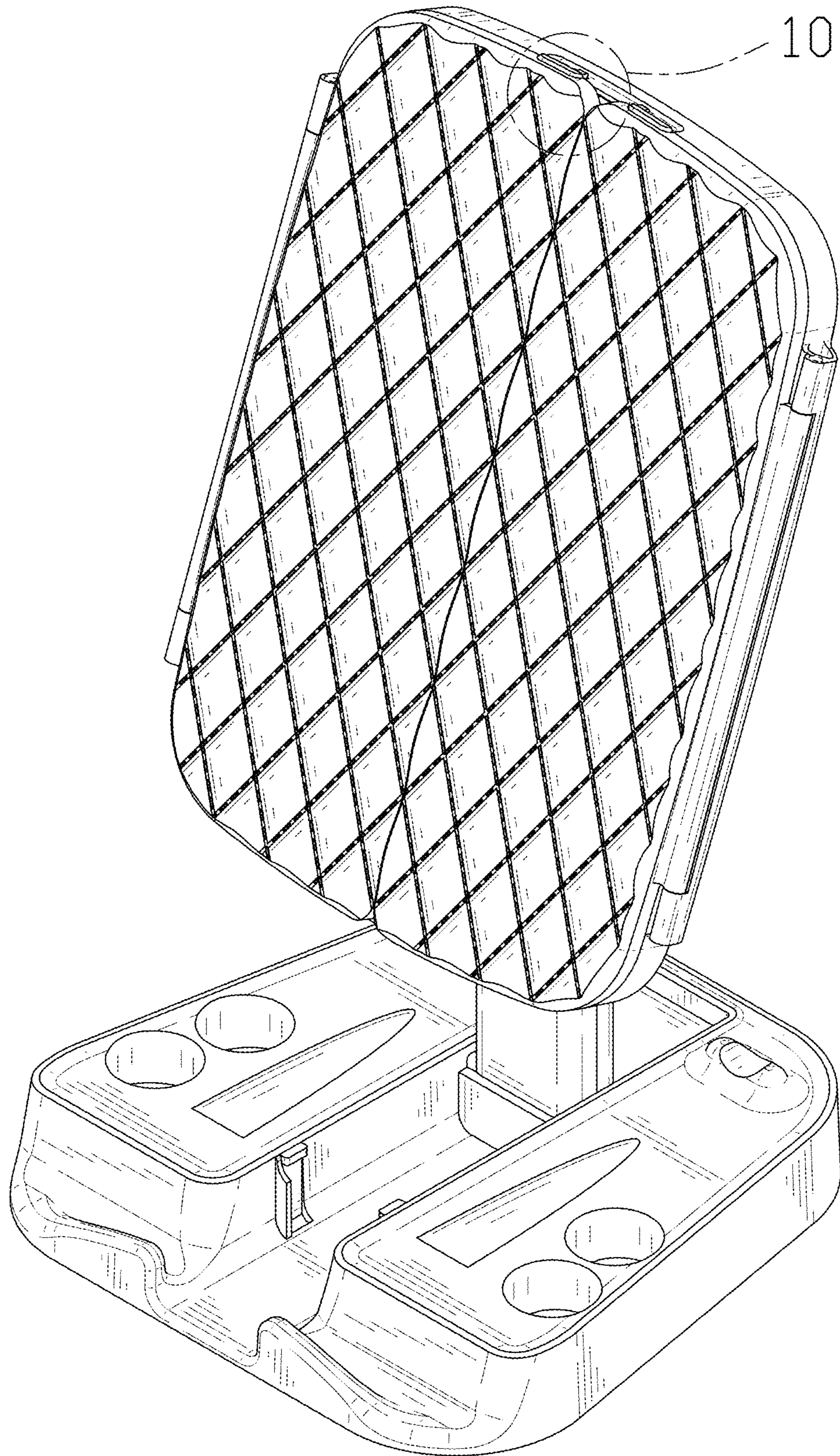


FIG. 1

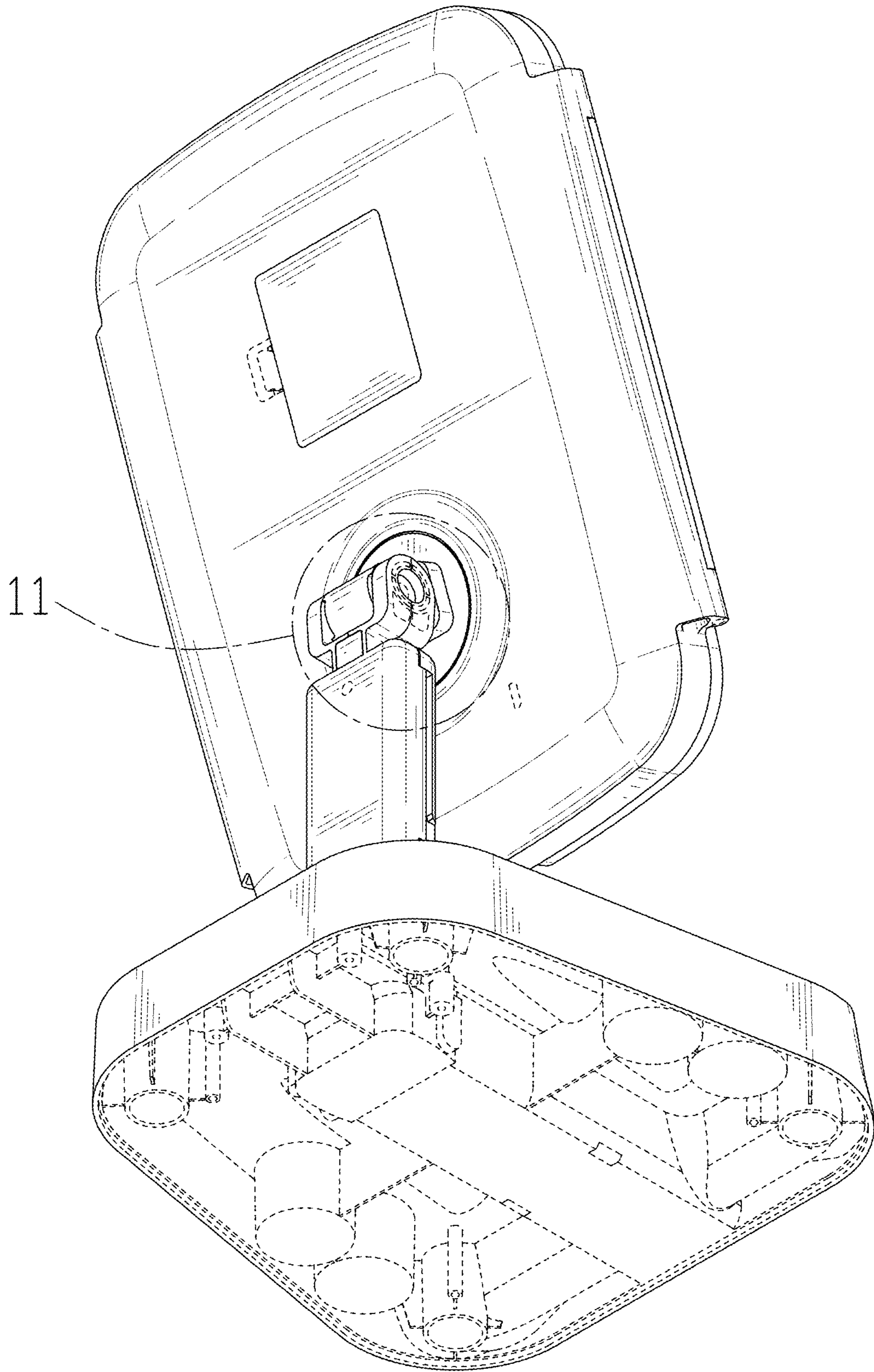


FIG. 2

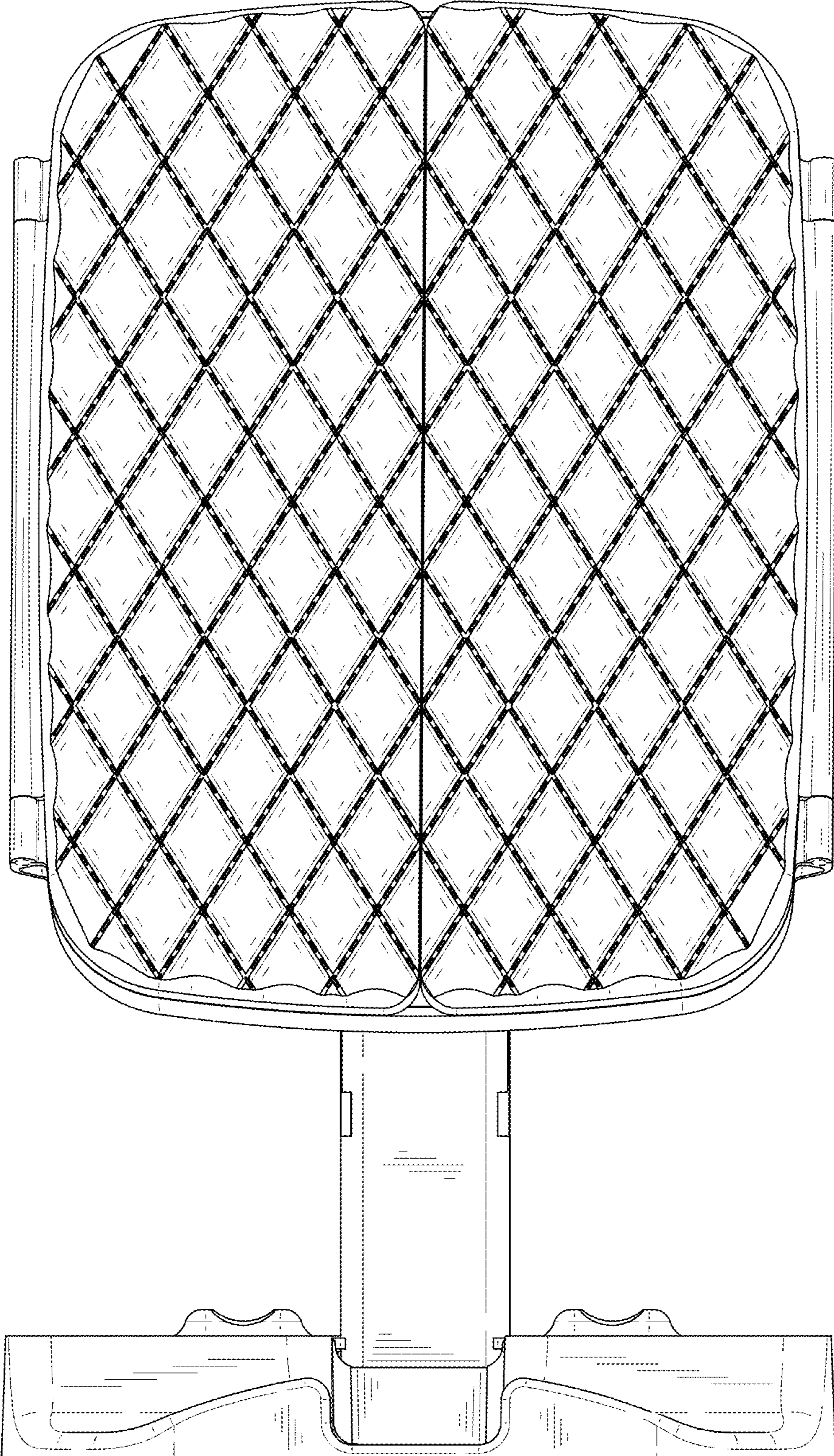


FIG. 3

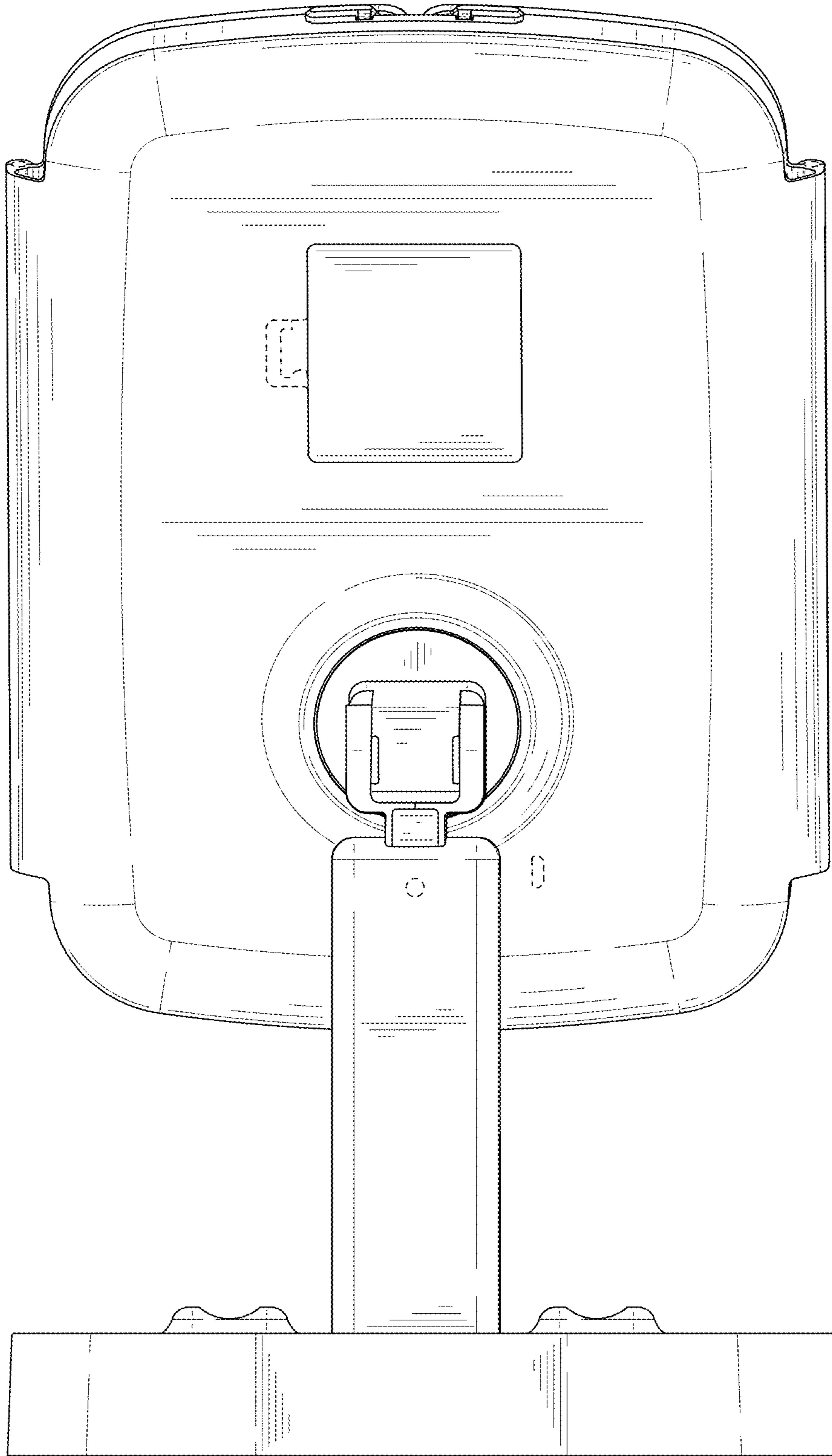


FIG. 4

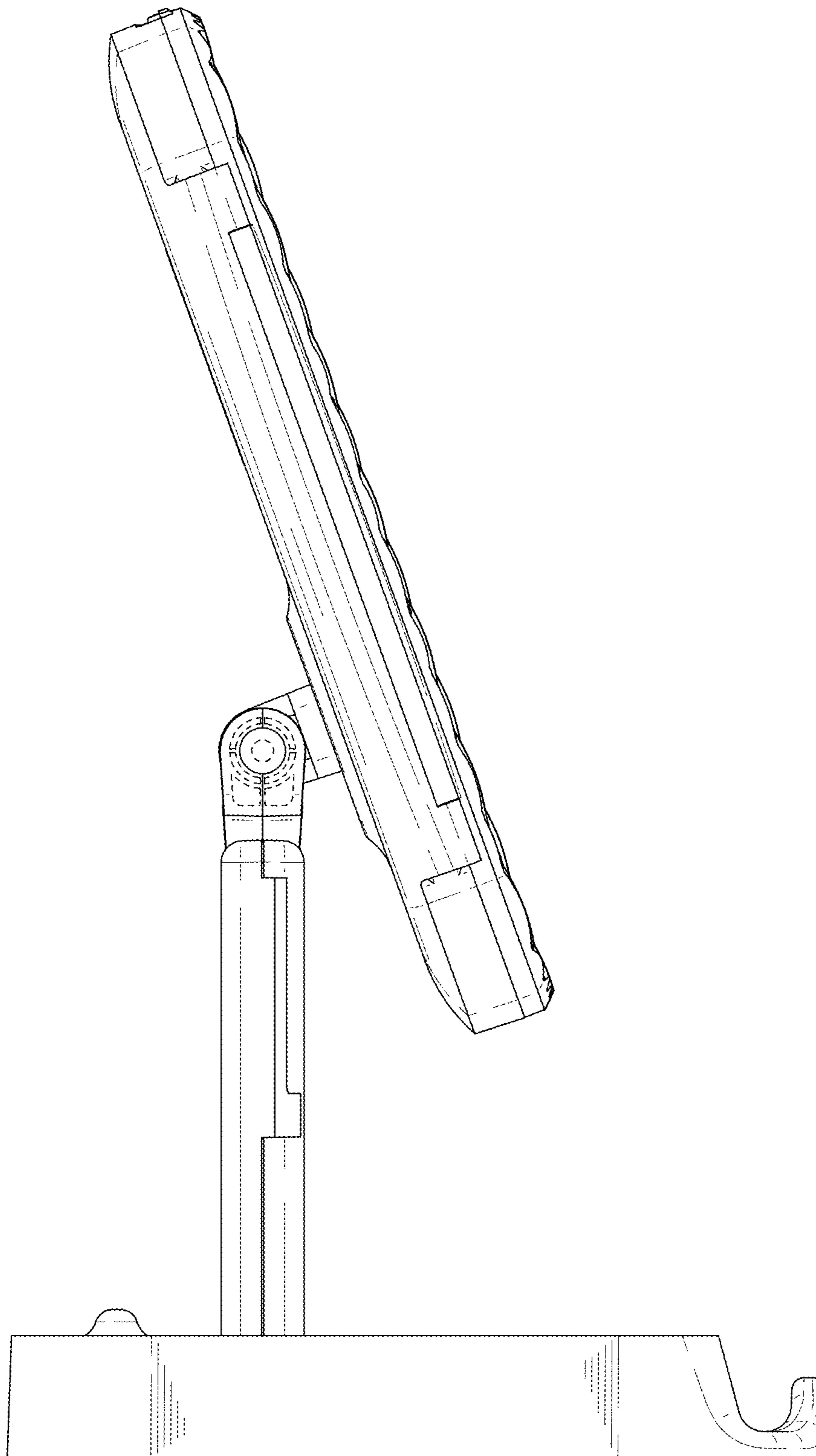


FIG. 5

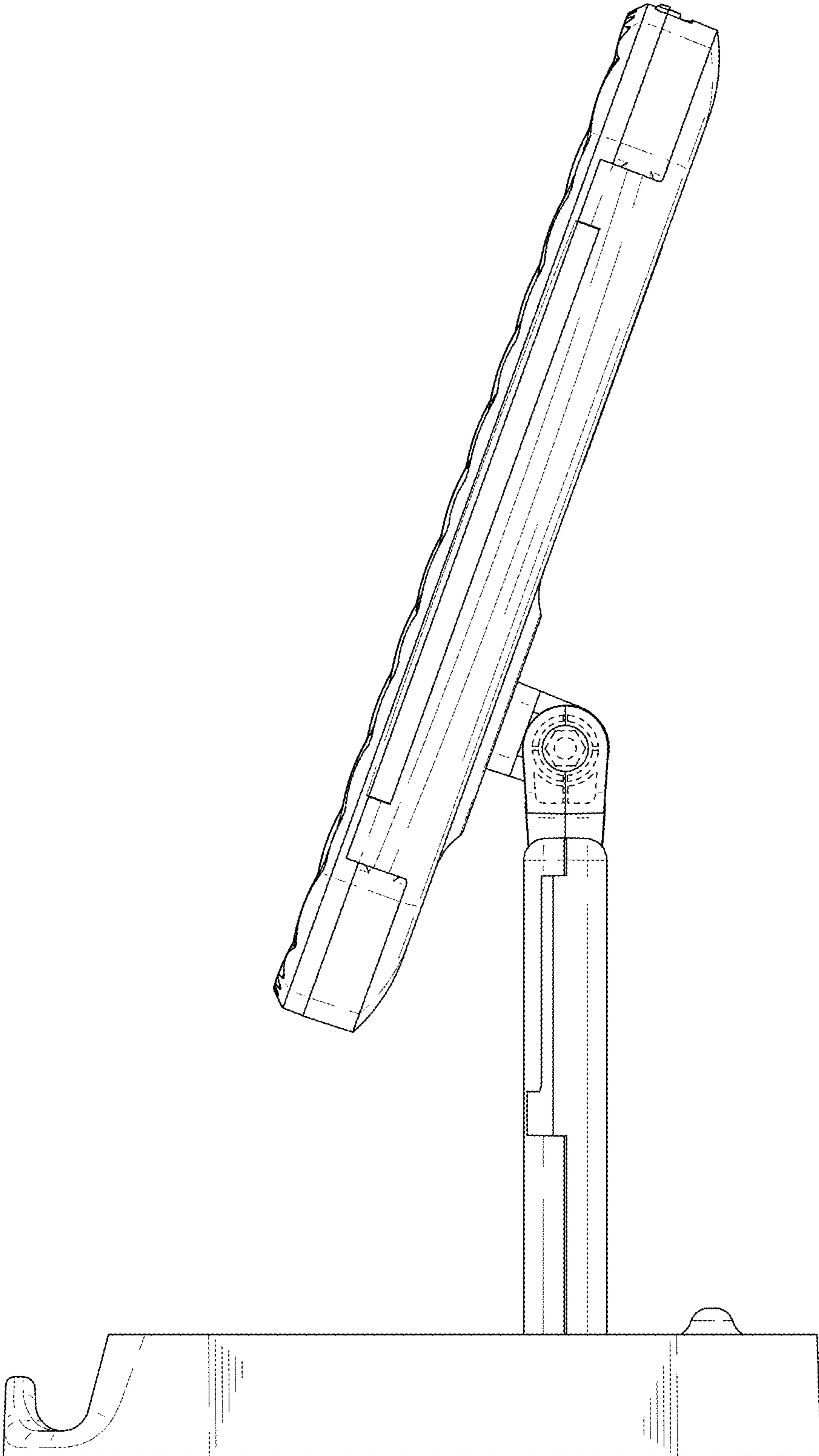


FIG. 6

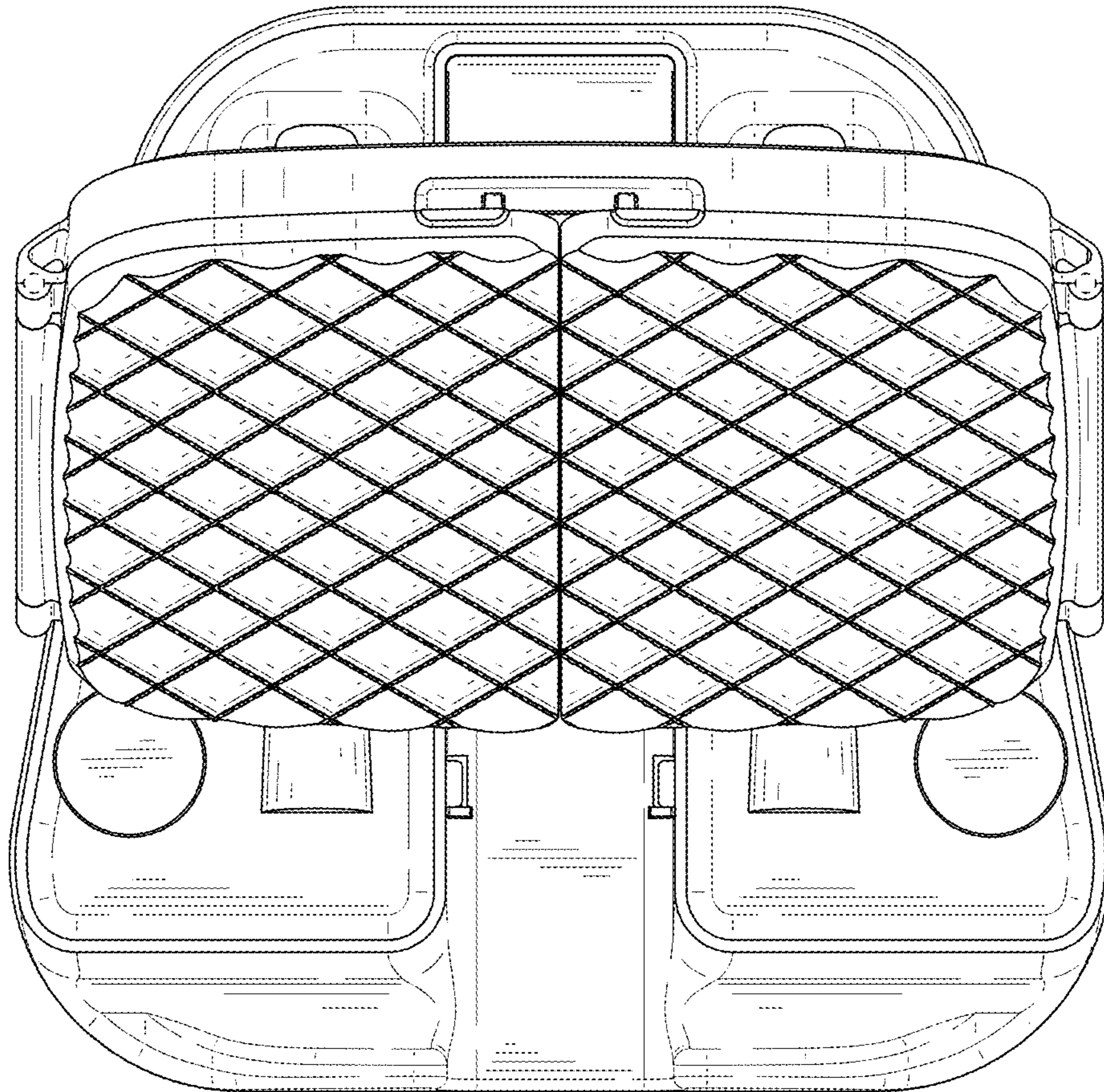


FIG. 7

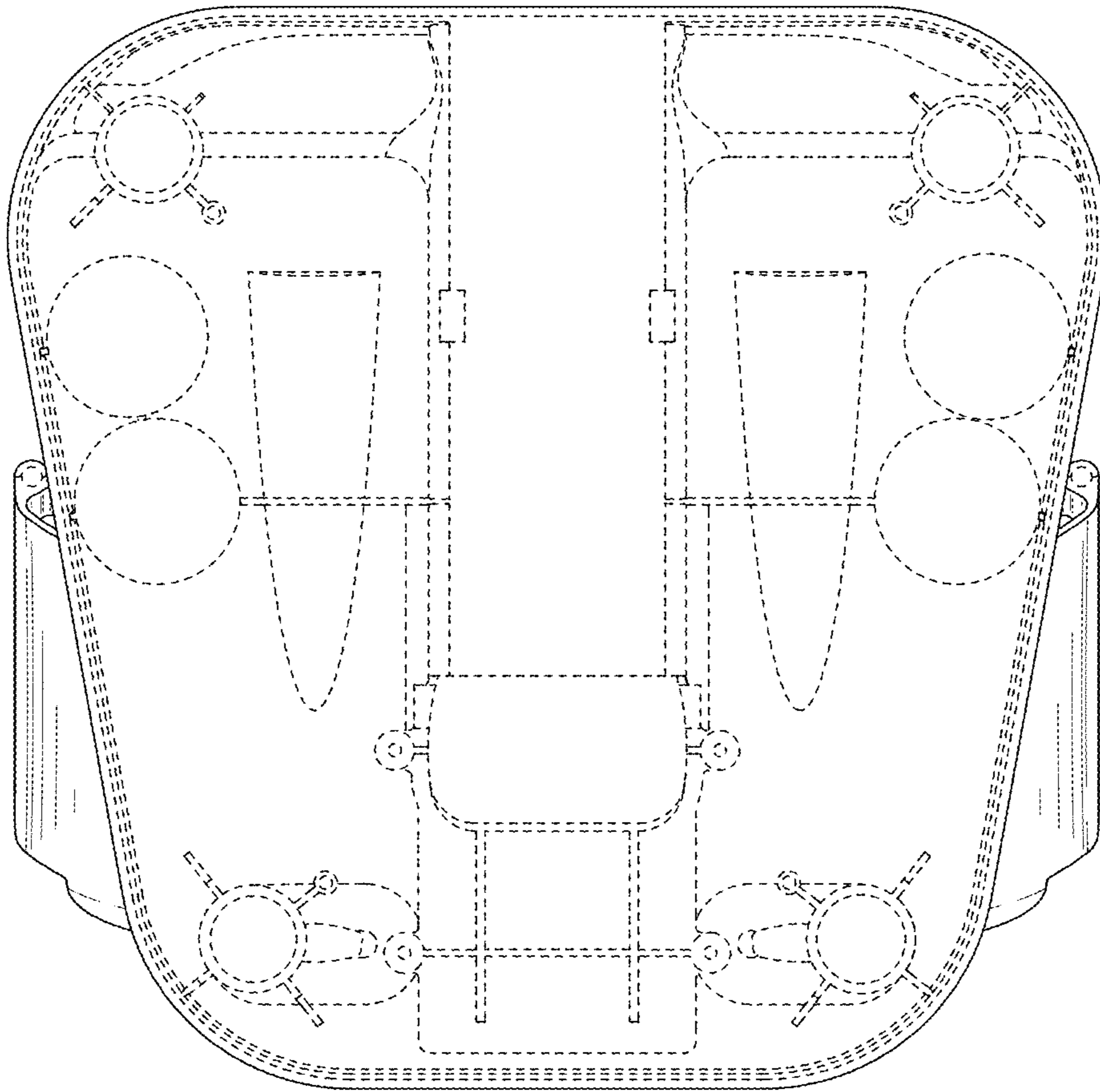


FIG. 8

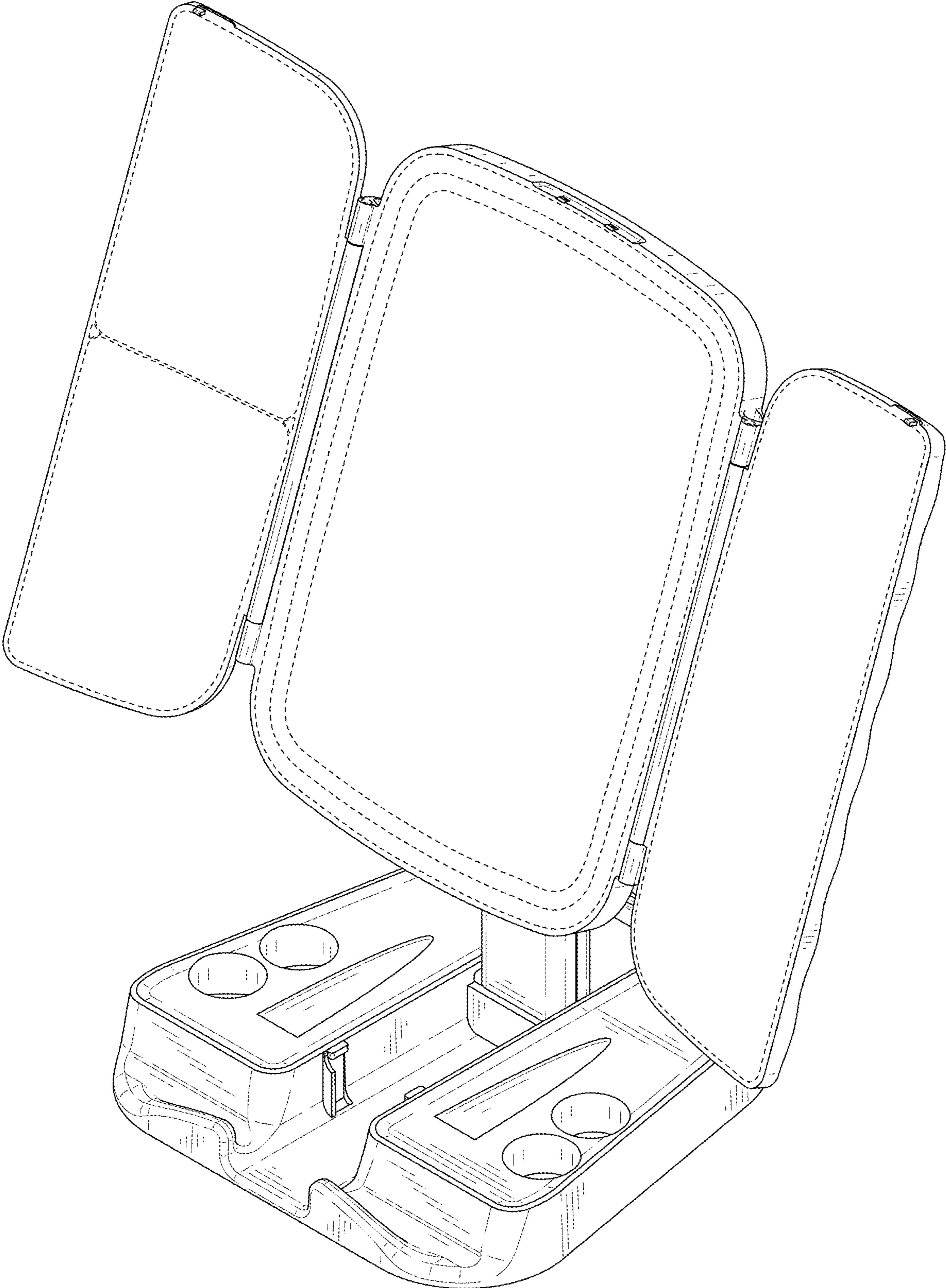


FIG. 9

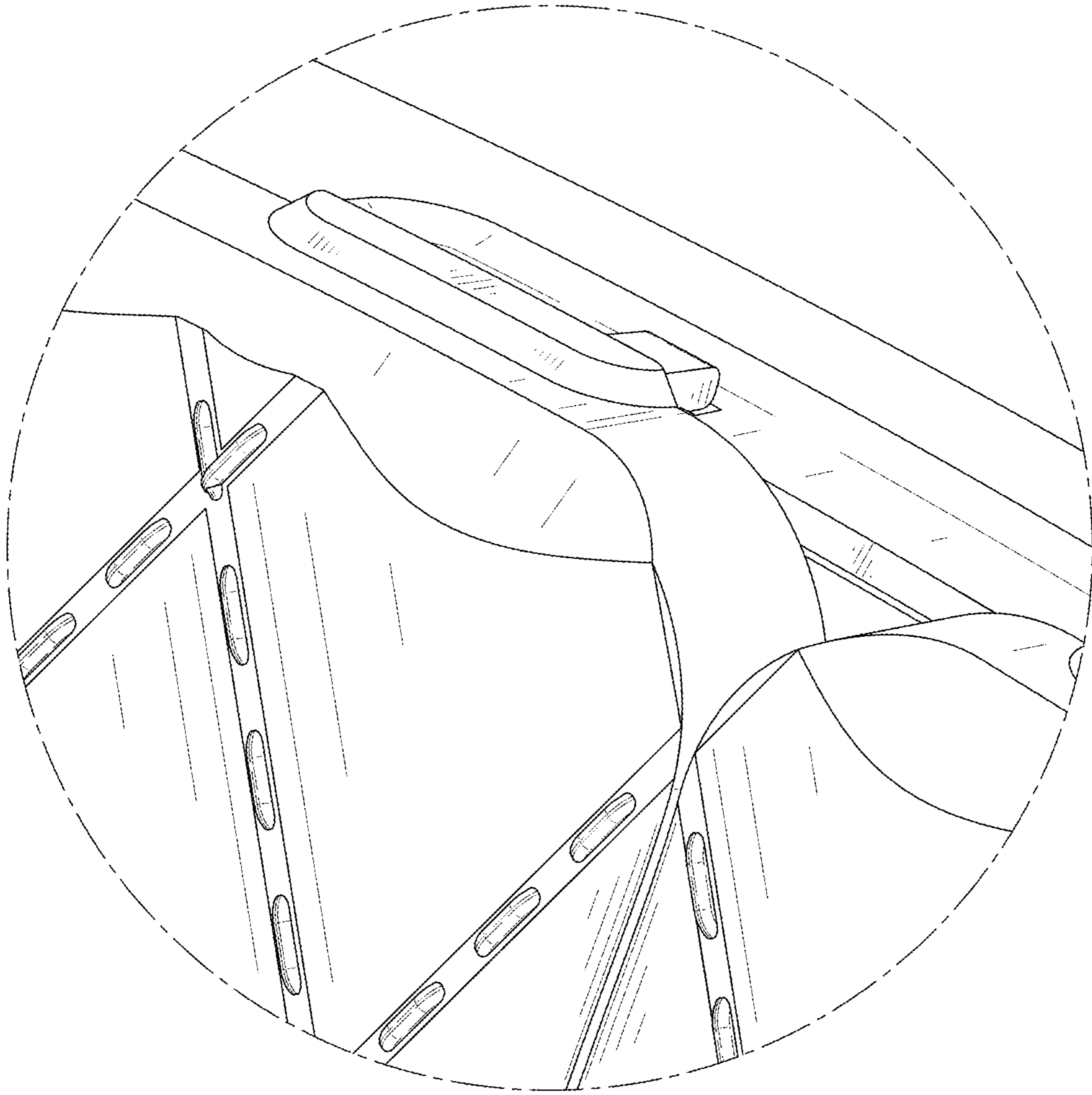


FIG. 10

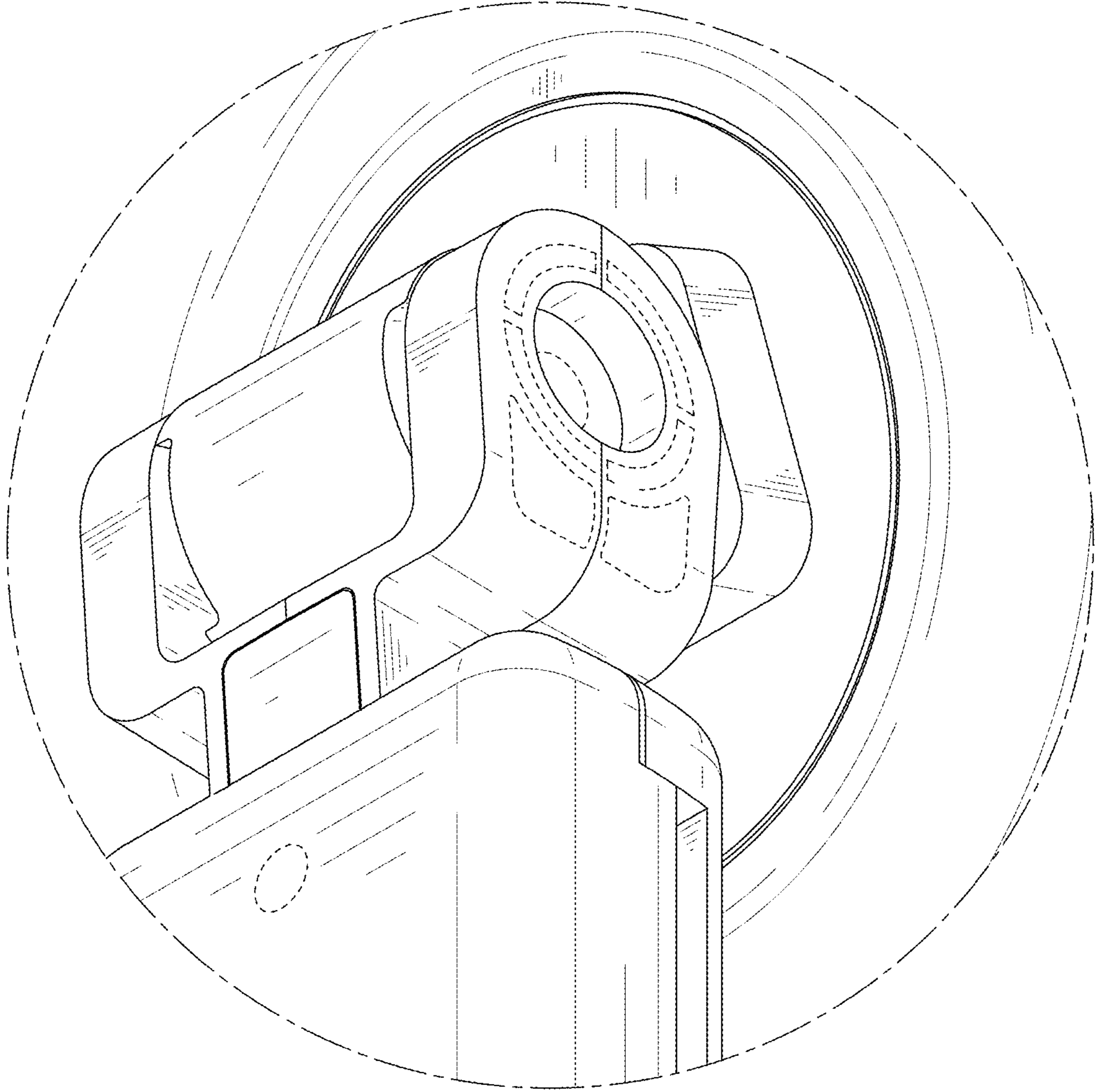


FIG. 11