



US00D974773S

(12) **United States Design Patent** (10) **Patent No.:** **US D974,773 S**
Stovall (45) **Date of Patent:** **** Jan. 10, 2023**

(54) **HAIR BRUSH**

FOREIGN PATENT DOCUMENTS

(71) Applicant: **Jarrold Stovall**, Vacaville, CA (US)

CN 304035198 * 2/2017

(72) Inventor: **Jarrold Stovall**, Vacaville, CA (US)

CN 305162793 * 8/2018

EM 170702-0001 * 9/2015

(**) Term: **15 Years**

OTHER PUBLICATIONS

(21) Appl. No.: **29/778,904**

V1 Wave Brush, posting date unknown [online], [retrieved Aug. 30, 2022]. Retrieved from internet, <https://www.360jeezy.com/products/new-brush> (Year: 2022).*

(22) Filed: **Apr. 15, 2021**

Brush Session 2021 Live ♦♦, posted Apr. 29, 2021 [online], [retrieved Aug. 30, 2022]. Retrieved from internet, <https://www.youtube.com/watch?v=y4oaHLQ4Tcw> (Year: 2021).*

(51) **LOC (14) Cl.** **04-99**

(52) **U.S. Cl.**

USPC **D4/134**

(58) **Field of Classification Search**

USPC D4/127, 128, 129, 130, 132, 134, 135, D4/199; D28/10, 21, 30, 31, 99

CPC A46B 2200/10; A46B 2200/102; A46B 2200/104; A46B 3/00; A46B 3/005; A46B 5/00; A46B 5/02; A46B 5/021; A46B 13/00; A46B 13/008; A46B 15/00

See application file for complete search history.

* cited by examiner

Primary Examiner — Alison M Ofstun

Assistant Examiner — Evin Franklin George Ershock

(74) *Attorney, Agent, or Firm* — Craig A. Simmermon

(56) **References Cited**

(57) **CLAIM**

U.S. PATENT DOCUMENTS

I claim the ornamental design for a hair brush, as shown and described.

D513,883 S * 1/2006 Kampel A45D 19/0041

D4/133

D839,609 S * 2/2019 Robbins D4/134

D879,476 S * 3/2020 Rennette D4/138

D883,679 S * 5/2020 Pulfrey D4/134

D905,970 S * 12/2020 Rennette D4/134

D908,367 S * 1/2021 Heaton D4/138

D940,468 S * 1/2022 Sommer D4/134

D941,036 S * 1/2022 Hinds D4/134

D941,037 S * 1/2022 Wojczak D4/138

D944,536 S * 3/2022 Leatherwood A46B 9/023

D4/134

11,344,110 B1 * 5/2022 Kron A45D 19/0041

2011/0299909 A1 * 12/2011 Madappattu A45D 19/026

401/28

2015/0135455 A1 * 5/2015 Reusche A46B 9/023

15/160

DESCRIPTION

FIG. 1 is a top perspective view of a hair brush showing my new design;

FIG. 2 is a front elevation view thereof;

FIG. 3 is a rear elevation view thereof;

FIG. 4 is a right side elevation thereof;

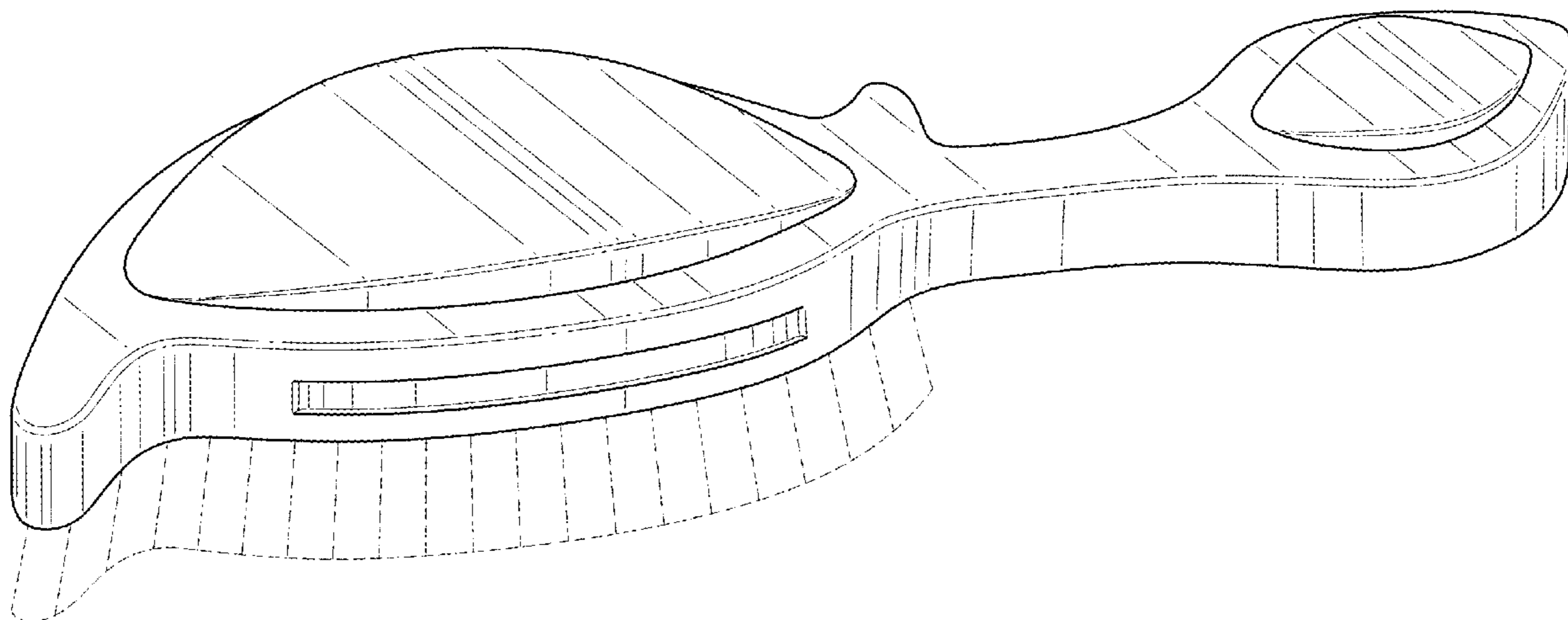
FIG. 5 is a left side elevation view thereof;

FIG. 6 is a top plan view thereof; and,

FIG. 7 is a bottom plan view thereof.

The broken lines in the drawings illustrate portions of the article and form no part of the claimed design.

1 Claim, 6 Drawing Sheets



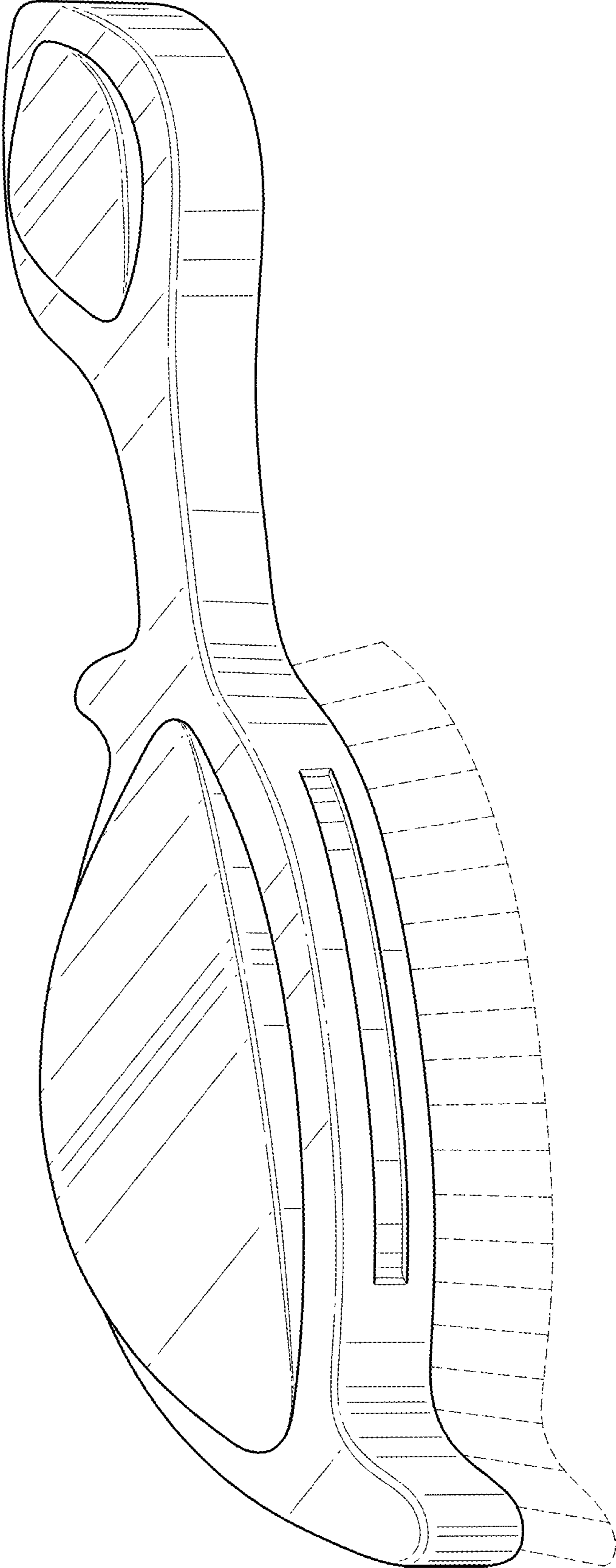


FIG. 1

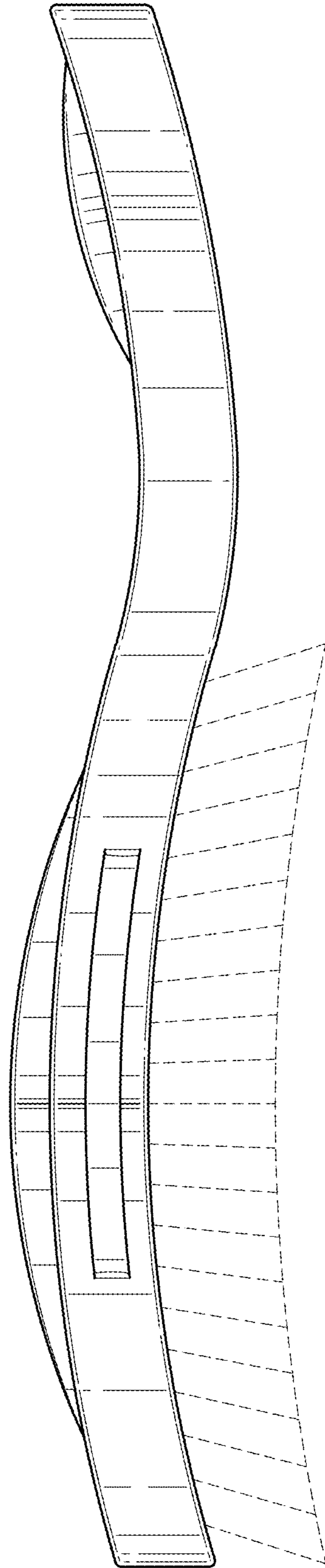


FIG. 2

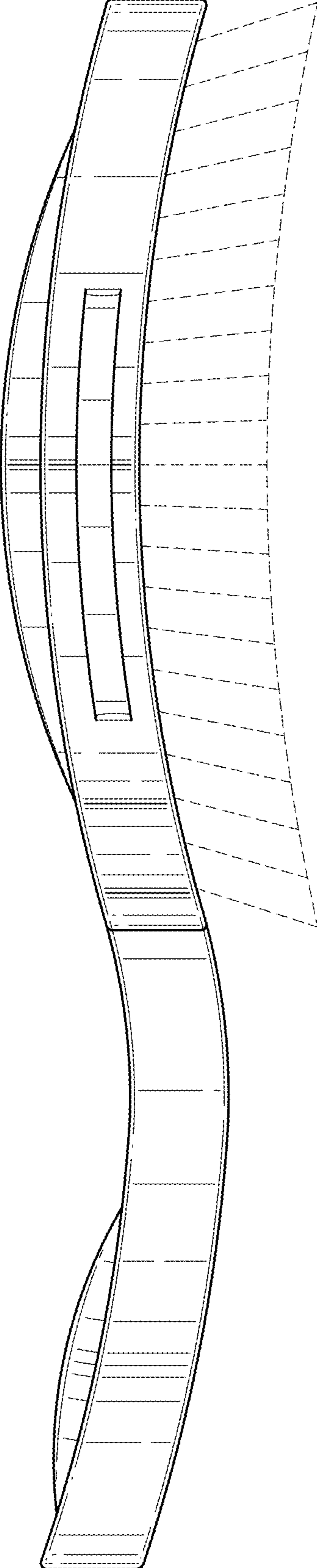


FIG. 3

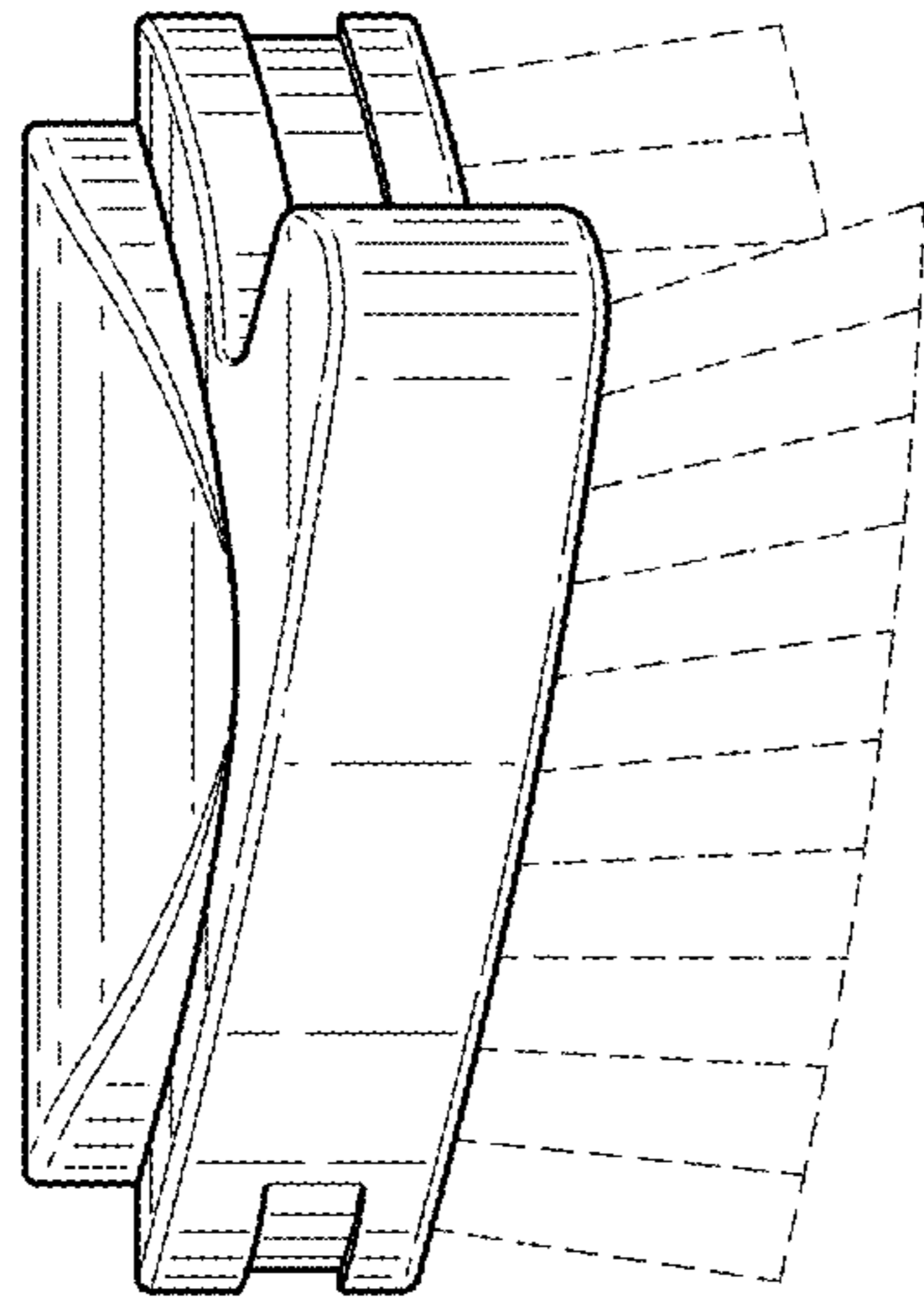


FIG. 5

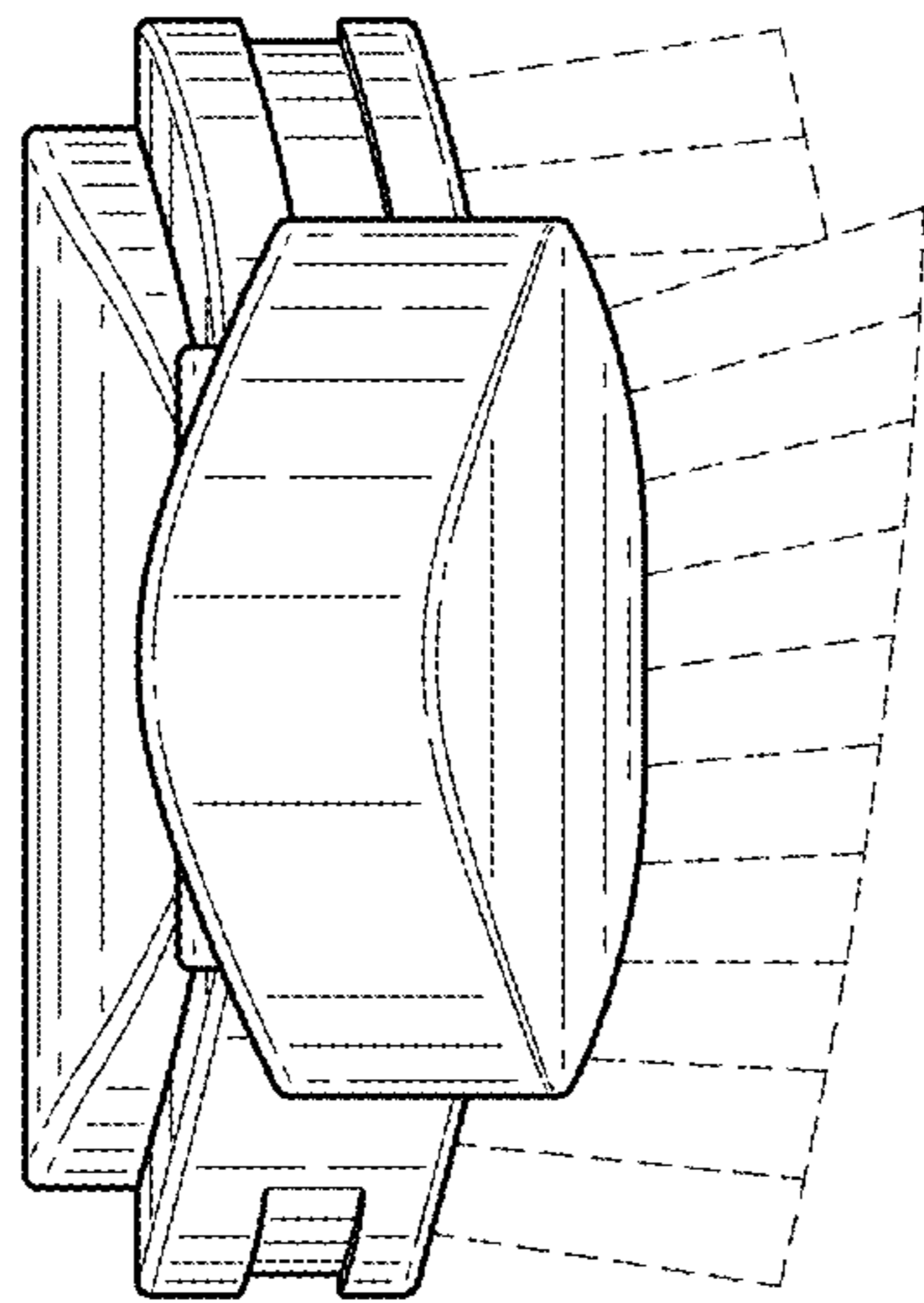


FIG. 4

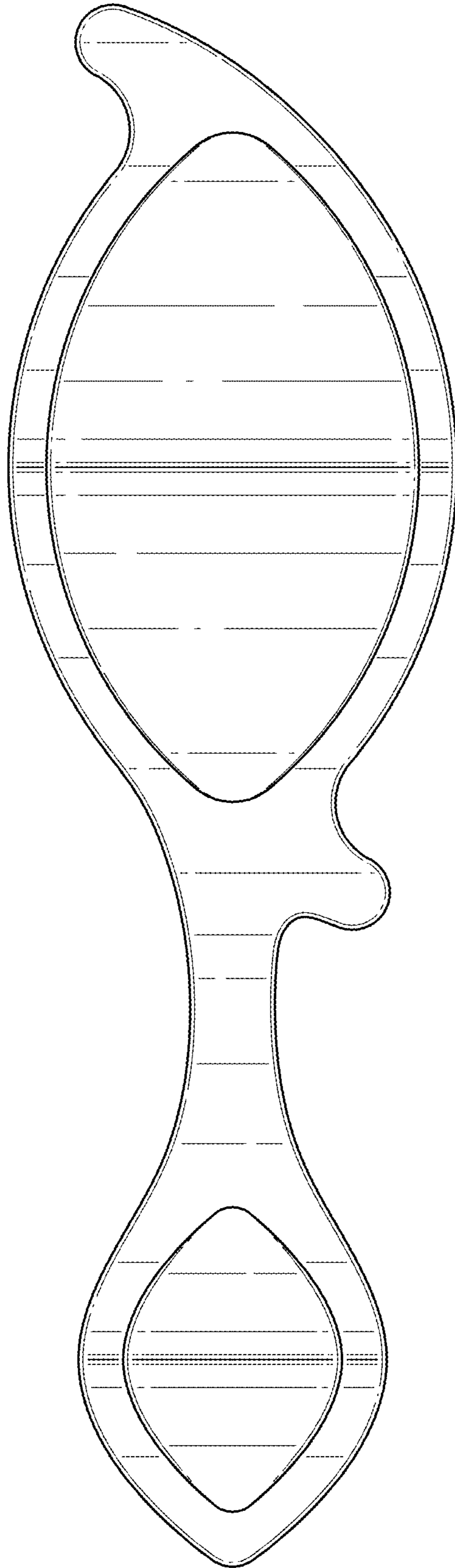


FIG. 6

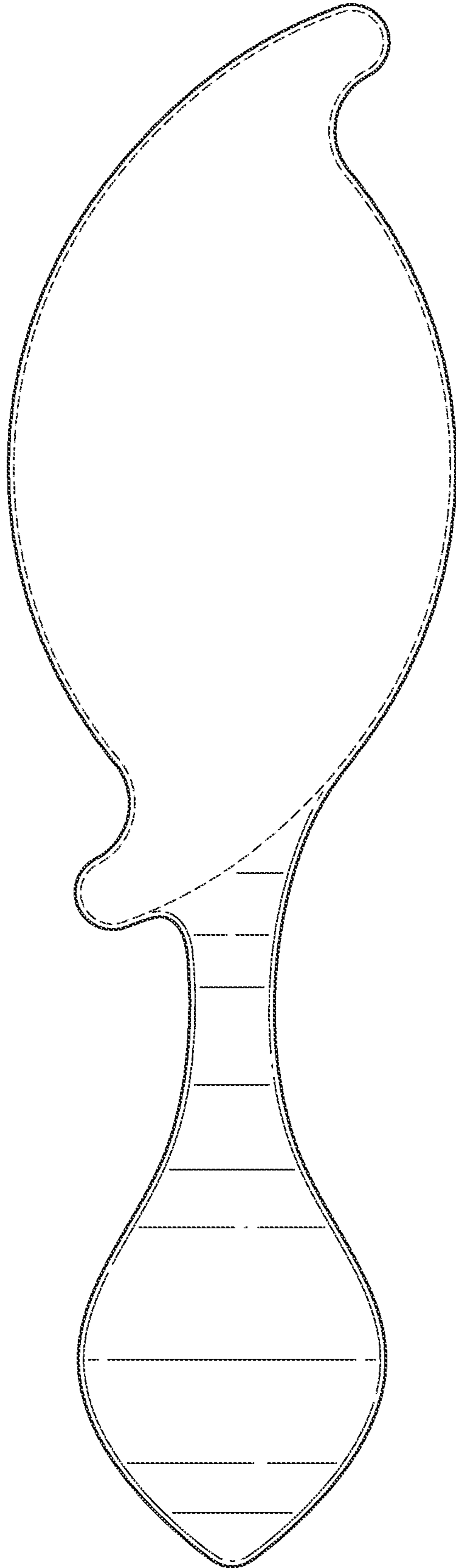


FIG. 7