



US00D974771S

(12) **United States Design Patent**
Hao

(10) **Patent No.:** **US D974,771 S**
(45) **Date of Patent:** **** Jan. 10, 2023**

(54) **TOILET BRUSH WITH HOLDER SET**

D801,700 S * 11/2017 Kauss D4/128
D833,155 S * 11/2018 Lien D4/128
D860,555 S * 9/2019 de Martrin-Donos D4/137

(71) Applicant: **Shenzhen Ankelong Technology Co., Ltd.**, Shenzhen (CN)

(Continued)

(72) Inventor: **Jianping Hao**, Shanxi (CN)

FOREIGN PATENT DOCUMENTS

(**) Term: **15 Years**

CN 213551509 U * 6/2021
GB 6212368 * 7/2022
JP D1660258 * 5/2020

(21) Appl. No.: **29/847,344**

OTHER PUBLICATIONS

(22) Filed: **Jul. 23, 2022**

Lefree Silicone Toilet Brush . . . [online]. Date first available Sep. 9, 2019. [Retrieved from the Internet Sep. 27, 2022.] <URL: <https://www.amazon.com/Lefree-MTS01grey-Toilet-Brush/dp/B07W6SSJ1N/>>.*

(30) **Foreign Application Priority Data**

(Continued)

Jun. 6, 2022 (CN) 202230342041.4

(51) **LOC (14) Cl.** **04-02**

(52) **U.S. Cl.**
USPC **D4/116; D6/551**

(58) **Field of Classification Search**
USPC D4/114–115, 116–118, 121–122,
D4/127–128, 130–135, 136–138;
D6/524, 551; D32/14
CPC A47K 3/001; A47K 17/00; A47K 11/10;
A46B 7/04; A46B 7/042
See application file for complete search history.

Primary Examiner — Rebekah A Caruso
(74) *Attorney, Agent, or Firm* — Che-Yang Chen; Law Office of Michael Chen

(57) **CLAIM**

The ornamental design for a toilet brush with holder set, as shown and described.

DESCRIPTION

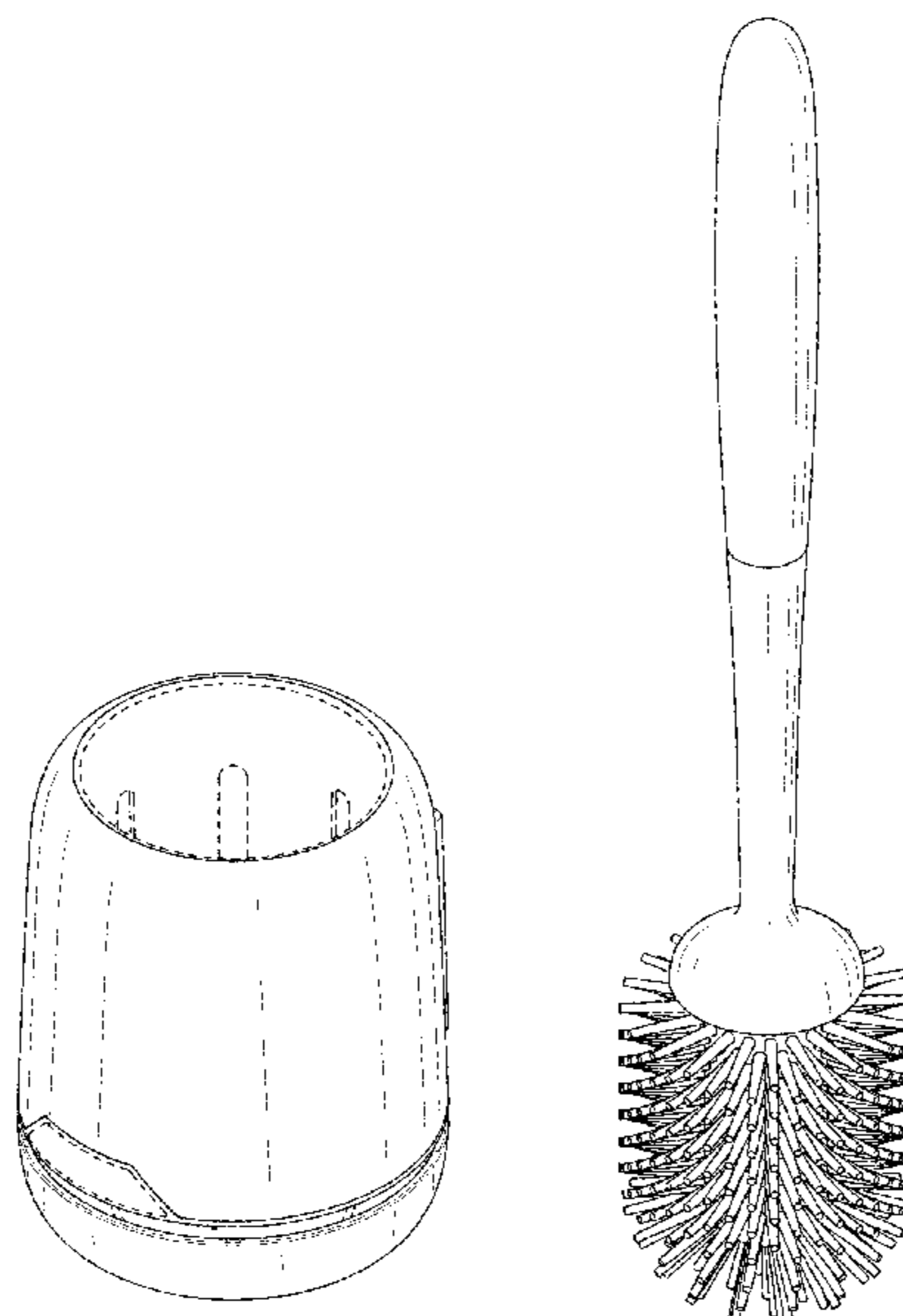
(56) **References Cited**

U.S. PATENT DOCUMENTS

D266,035 S * 9/1982 Thompson D4/128
D329,775 S * 9/1992 Murphy D6/551
D448,176 S * 9/2001 Petner D4/119
D499,593 S * 12/2004 Berti D6/551
D524,549 S * 7/2006 Ajluni D4/136
D525,064 S * 7/2006 Williams D6/524
D537,254 S * 2/2007 Miles D4/128
D551,480 S * 9/2007 Dretzka D6/551
D576,801 S * 9/2008 Dretzka D4/116
D598,200 S * 8/2009 DiAntonio D4/116
D647,703 S * 11/2011 Li D4/128

FIG. 1 is a perspective view of the toilet brush with holder set showing my new design;
FIG. 2 is a perspective view thereof from another angle;
FIG. 3 is a front elevational view thereof;
FIG. 4 is a rear elevational view thereof;
FIG. 5 is a left side elevational view thereof;
FIG. 6 is a right side elevational view thereof;
FIG. 7 is a top plan view thereof;
FIG. 8 is a bottom plan view thereof; and,
FIG. 9 is a perspective view thereof when it is being used.
The broken lines shown in the drawings represent portions of the toilet brush with holder set that form no part of the claimed design.

1 Claim, 9 Drawing Sheets



(56)

References Cited

U.S. PATENT DOCUMENTS

D889,132 S * 7/2020 Kuang D4/116
D905,966 S * 12/2020 Wen D4/116
D917,197 S * 4/2021 Kwak D6/524
D927,219 S * 8/2021 Lin D4/116
D927,220 S * 8/2021 Lin D4/116
D934,517 S * 10/2021 Cooper D32/14
D935,219 S * 11/2021 Wang D6/551
D946,927 S * 3/2022 Wang D6/551
D951,654 S * 5/2022 Omdahl, II D4/131
2020/0163447 A1* 5/2020 Spitaletta A46B 7/042
2022/0022639 A1* 1/2022 Wang A47K 17/00

OTHER PUBLICATIONS

Hibbent Toilet Brush with Ventilated Drying Holder . . . [online].
Date first available Sep. 6, 2021. [Retrieved from the Internet Sep.
27, 2022.] <URL: <https://www.amazon.com/dp/B09FJ8H6NY/> >.*
QOMJT Toilet Brush and Holder . . . [online]. Date first available
Dec. 12, 2020. [Retrieved from the Internet Sep. 27, 2022.] <URL:
<https://www.amazon.com/dp/B08QFCLGXS/> >.*

* cited by examiner

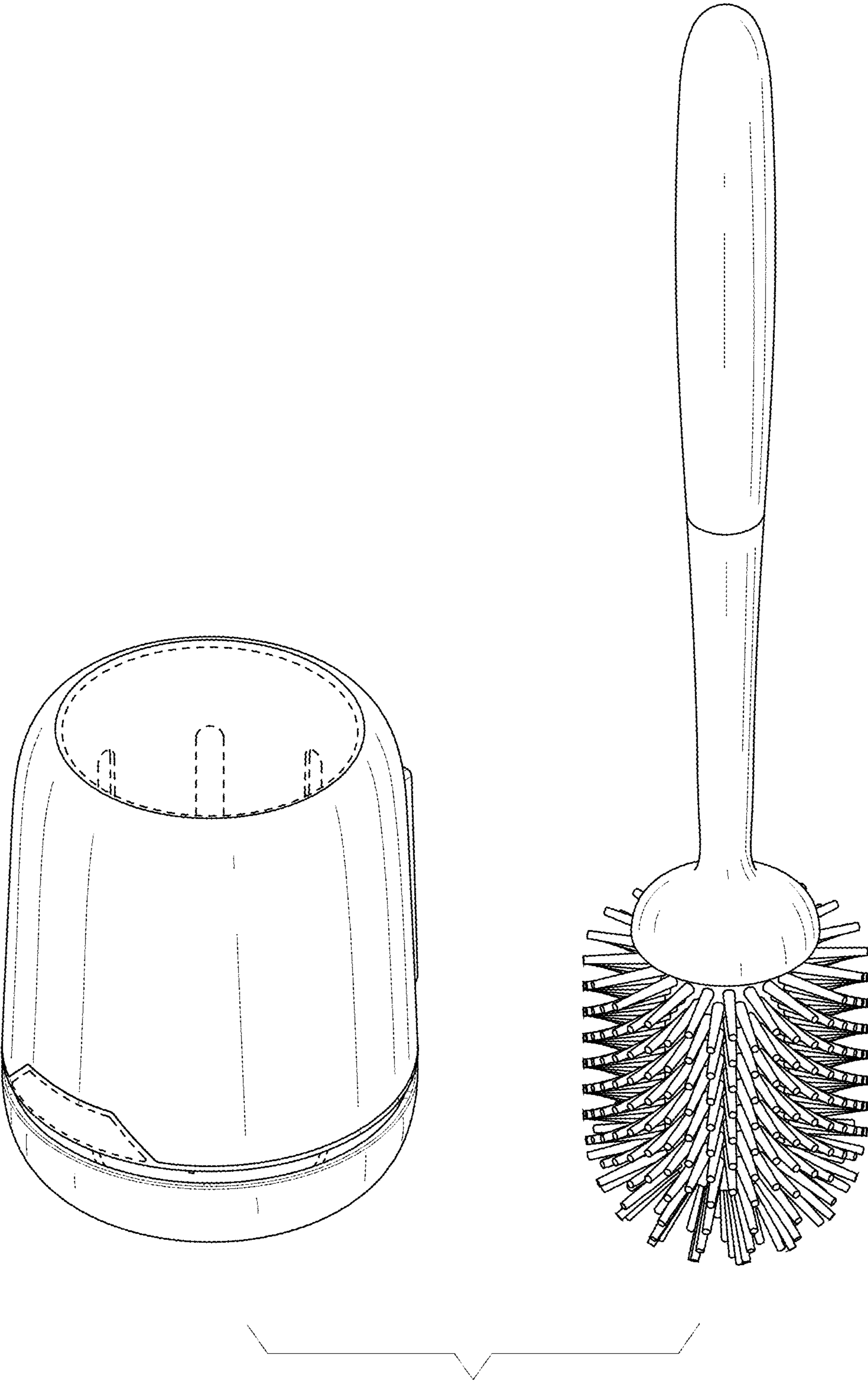


FIG. 1

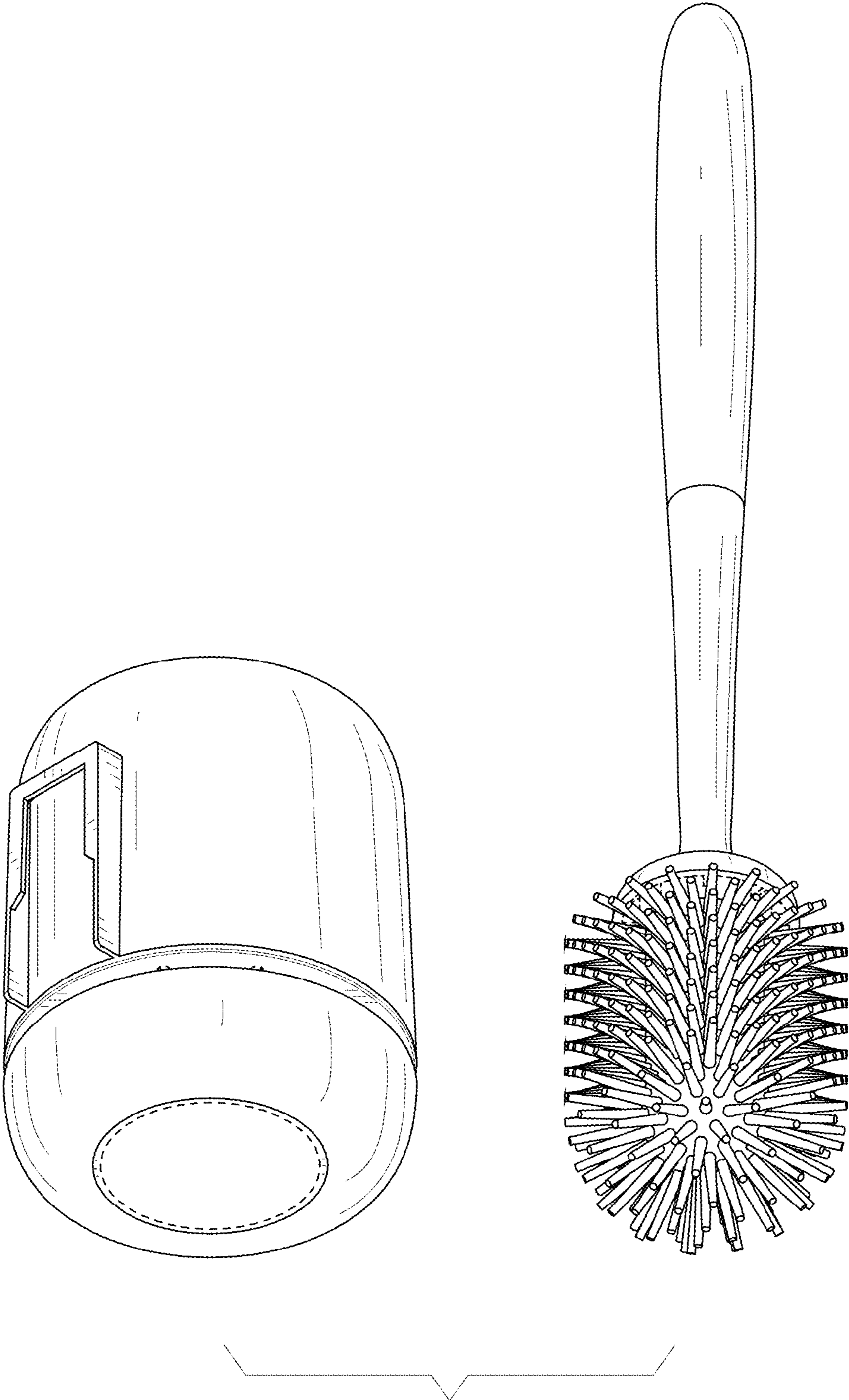


FIG. 2

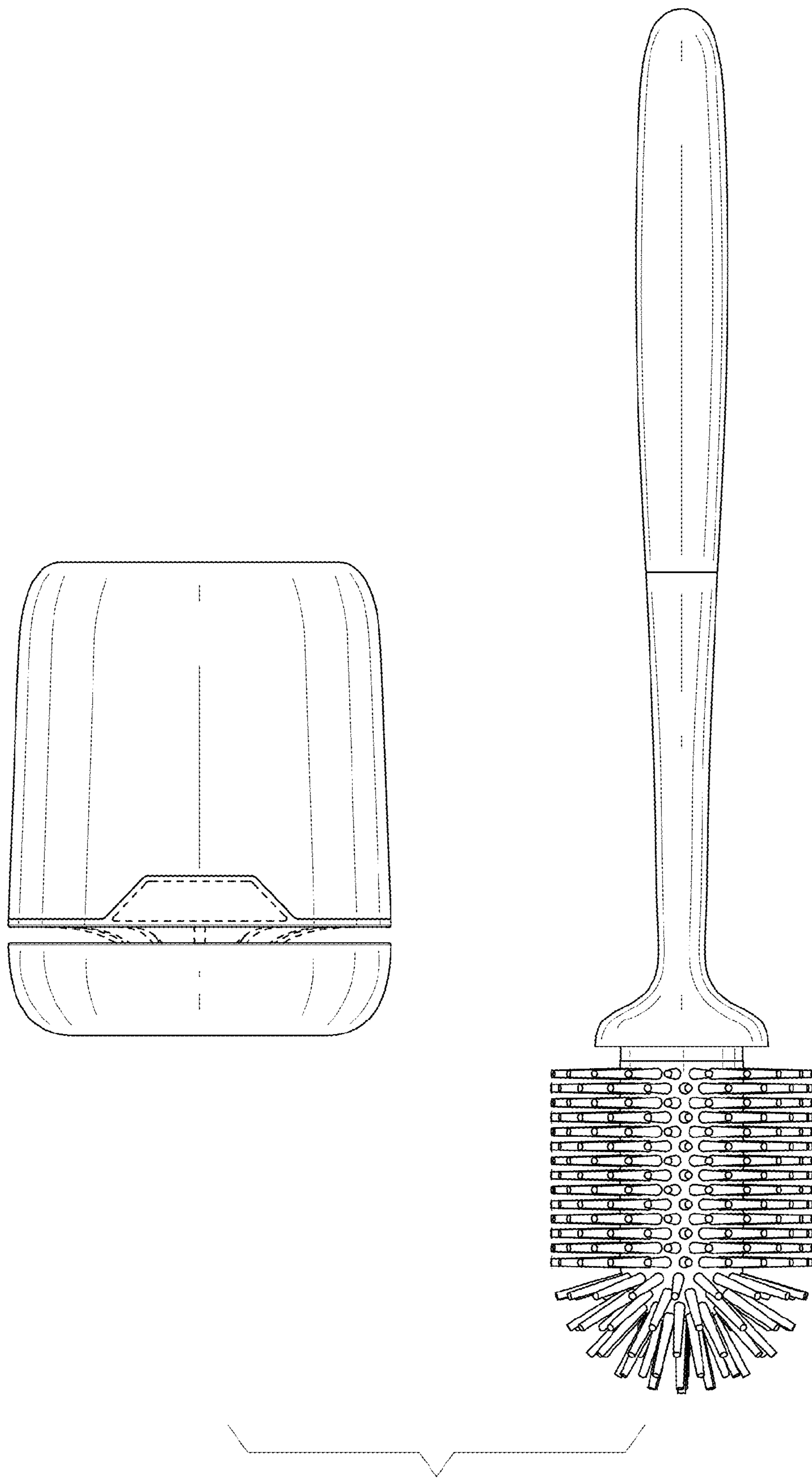


FIG. 3

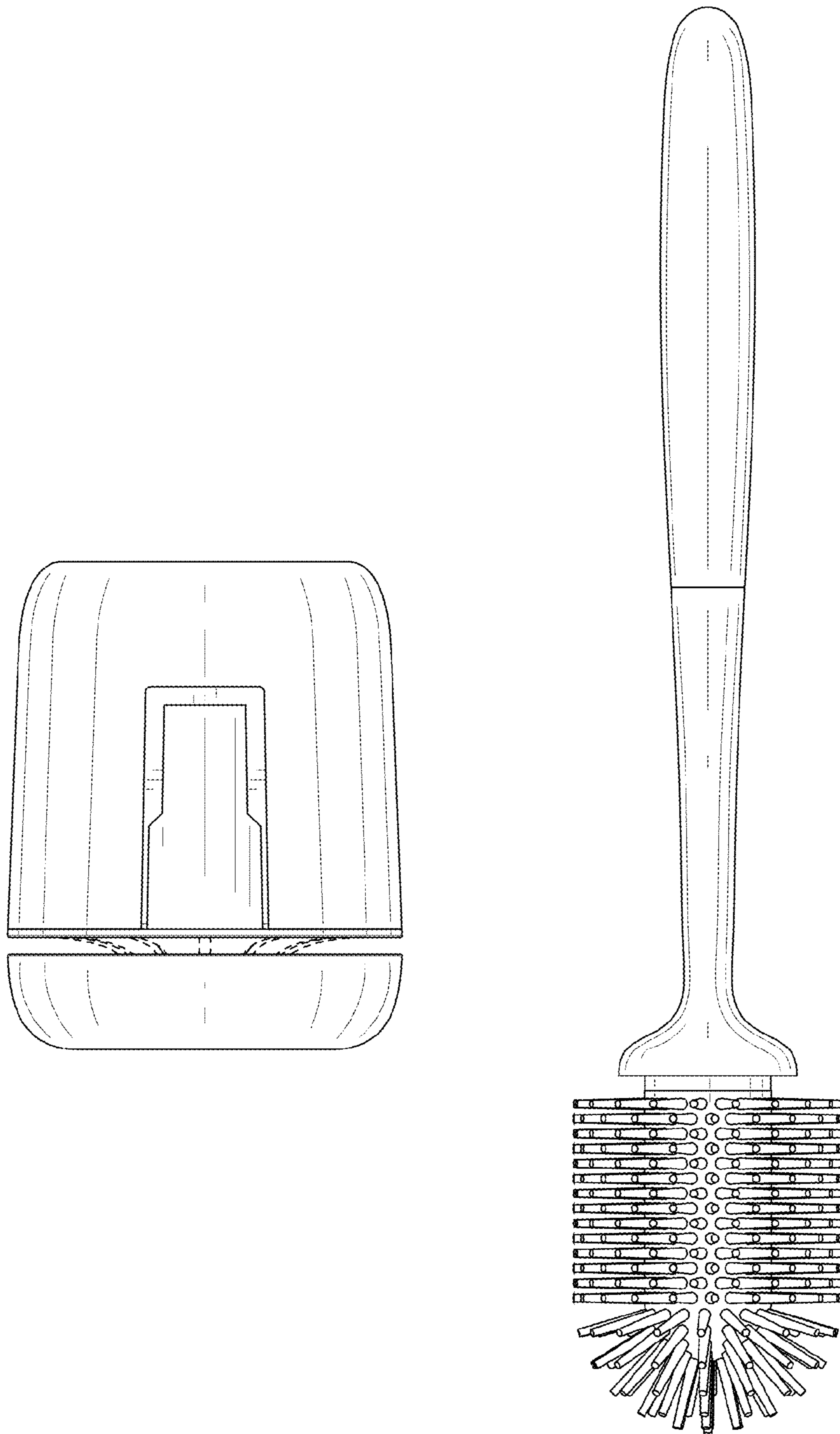


FIG. 4

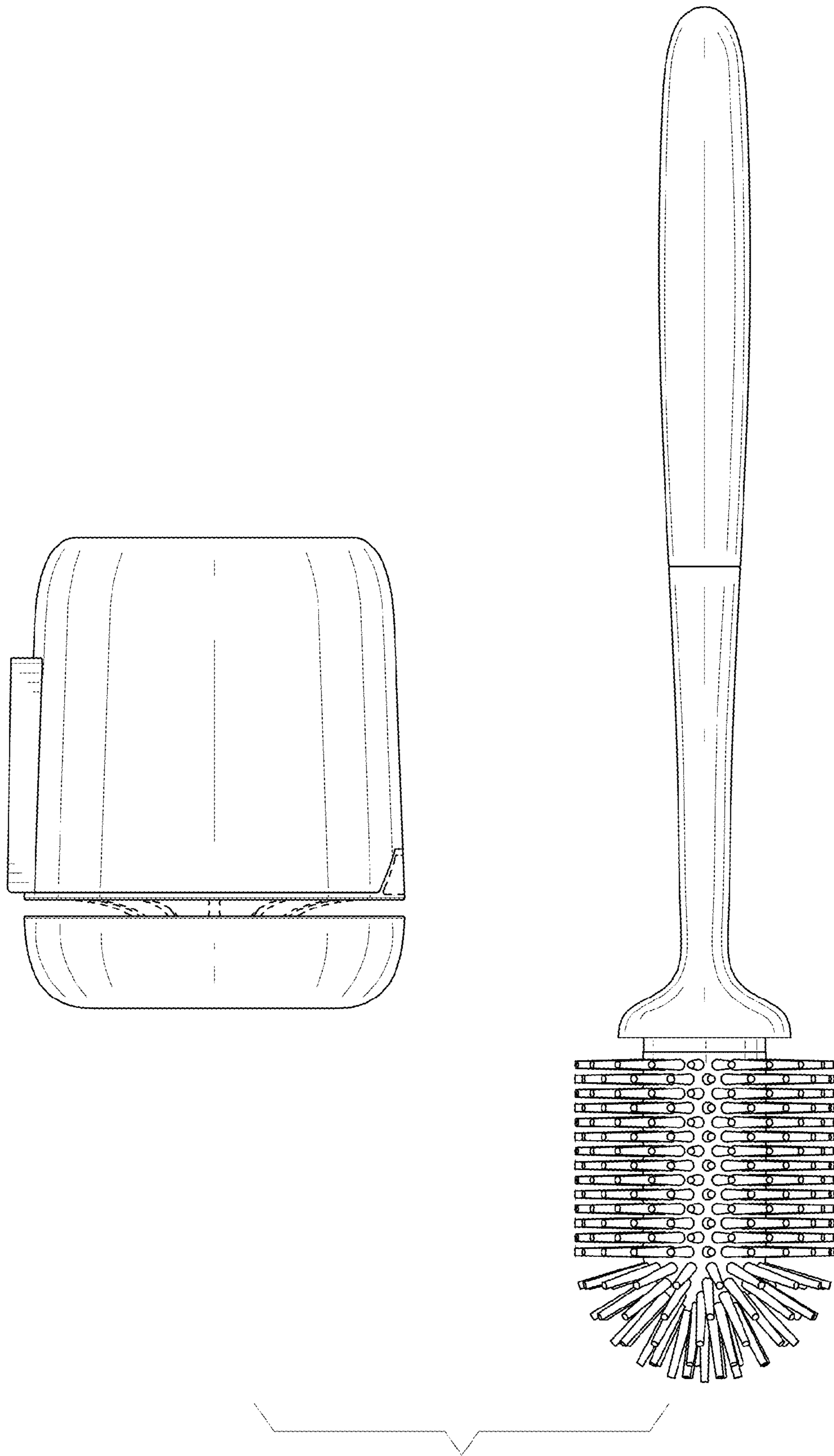


FIG. 5

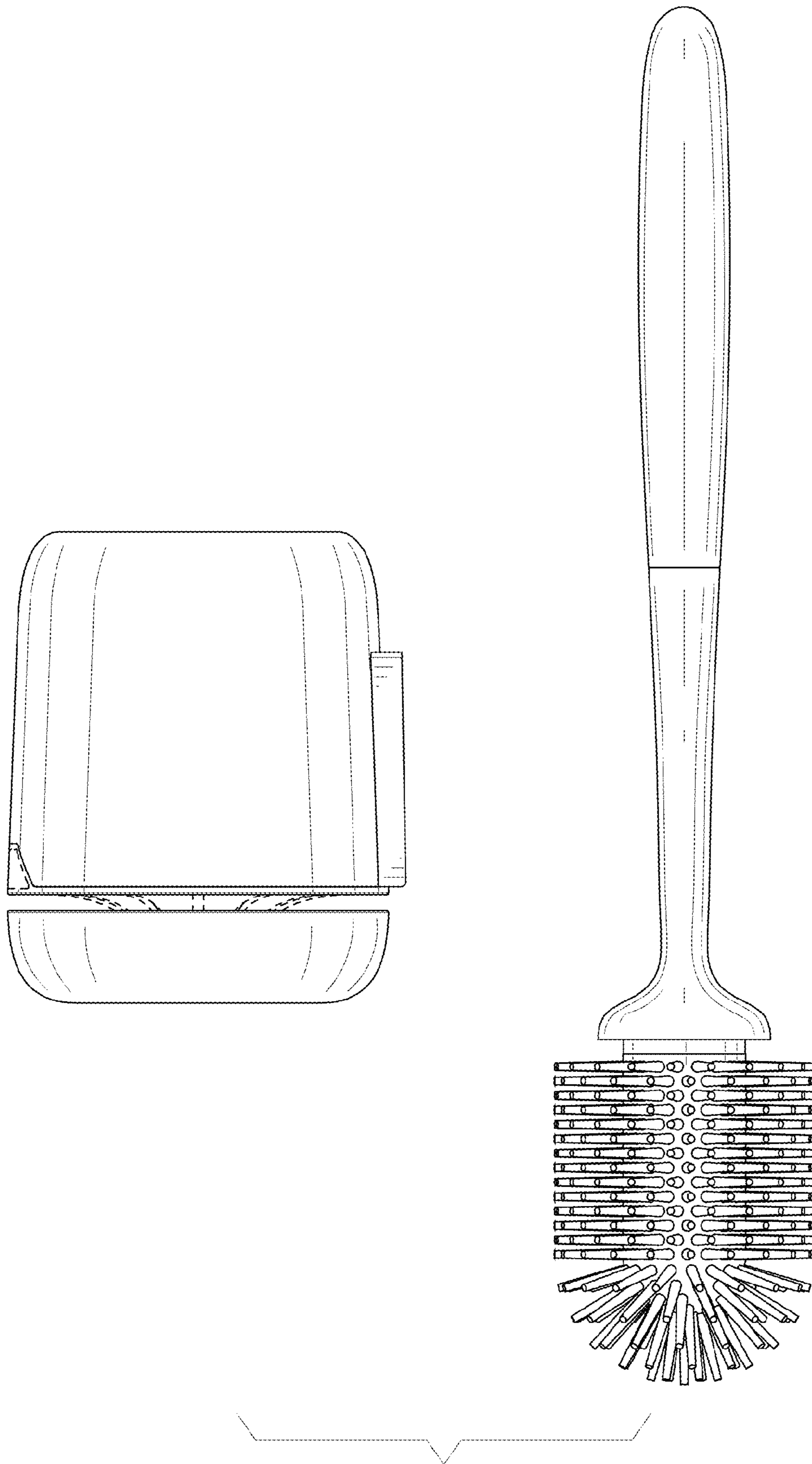


FIG. 6

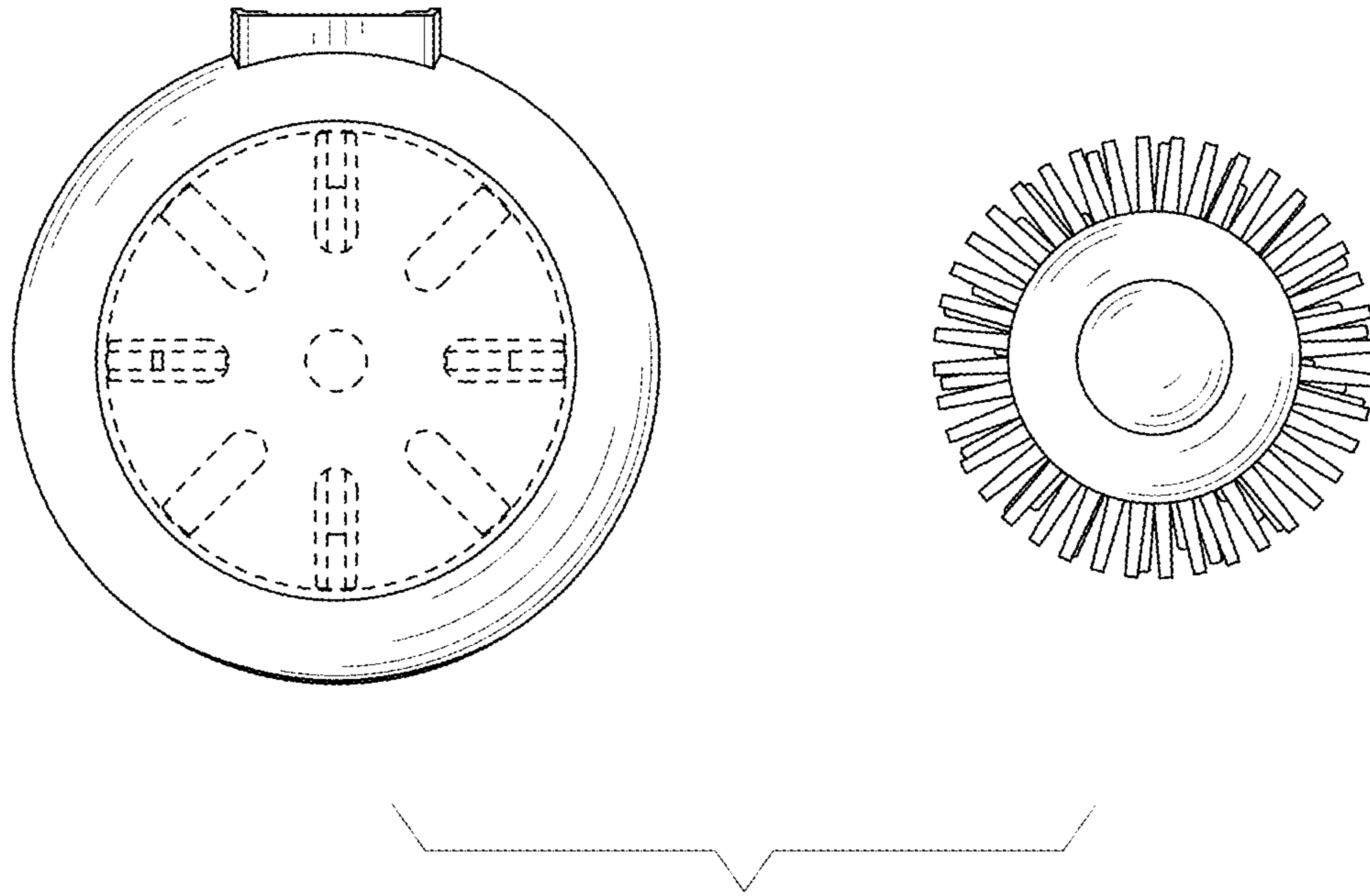


FIG. 7

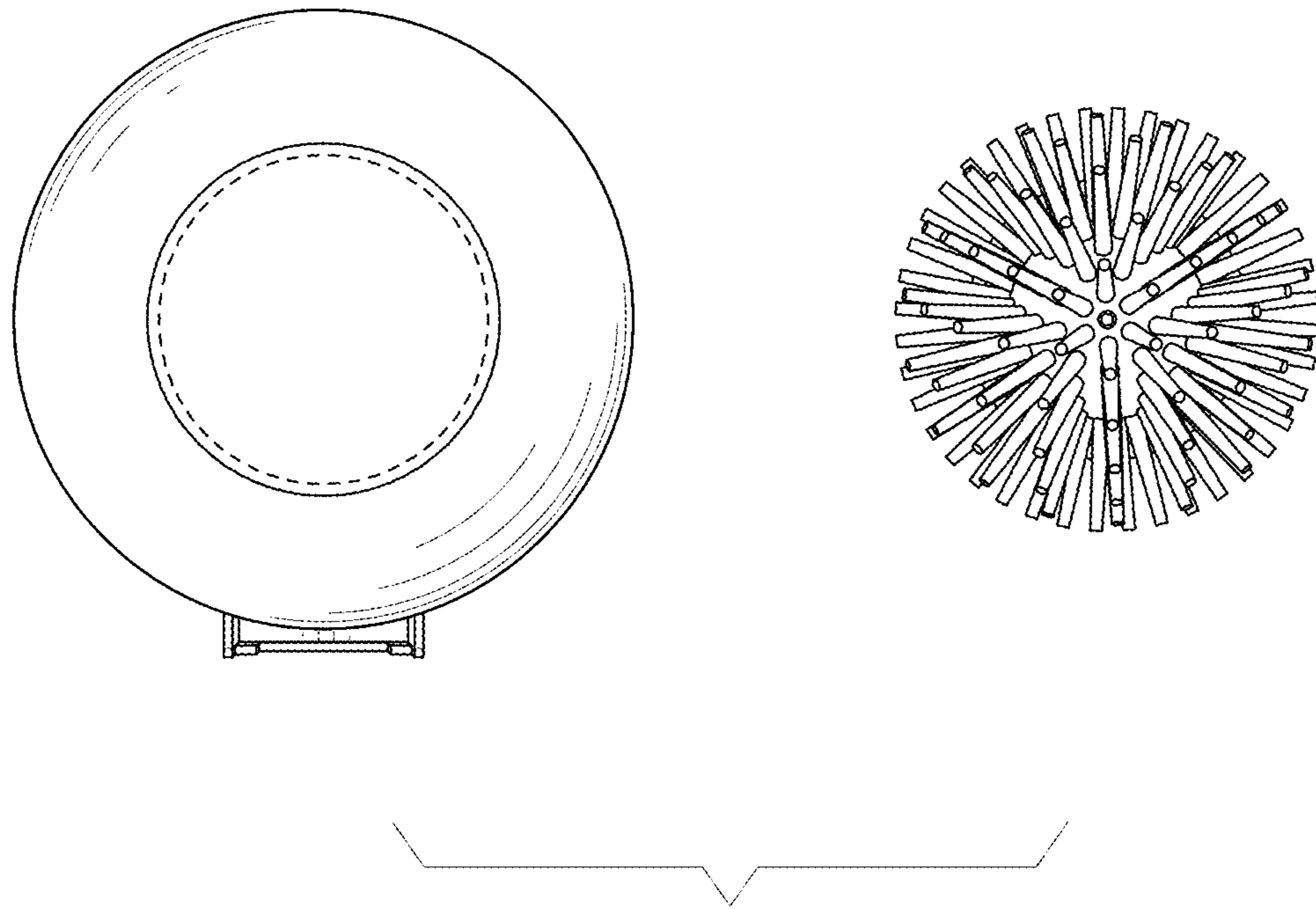


FIG. 8

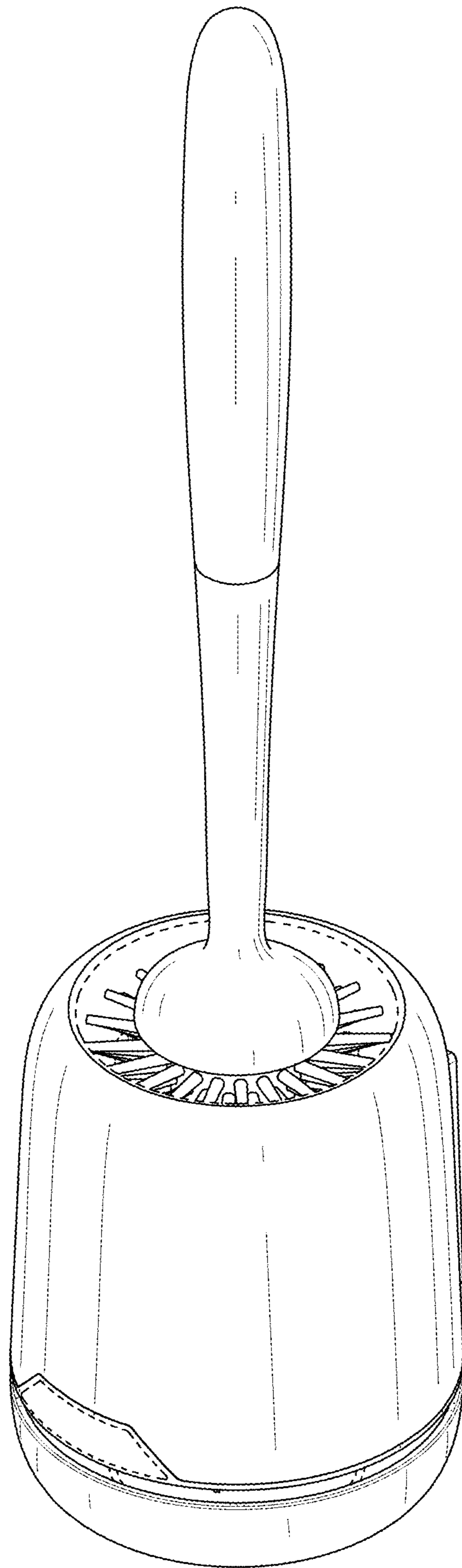


FIG. 9