



US00D974770S

(12) **United States Design Patent** (10) **Patent No.:** **US D974,770 S**
Bixby et al. (45) **Date of Patent:** **** Jan. 10, 2023**

(54) **DISPENSING BRUSH** 2,764,773 A * 10/1956 Wise A47K 11/10
15/188
(71) Applicant: **WHIRLPOOL CORPORATION,** D196,707 S 10/1963 Anderson
Benton Harbor, MI (US) D201,428 S 6/1965 Kellis
D207,253 S 3/1967 Tucker
(72) Inventors: **Seth E. Bixby,** Stevensville, MI (US); 3,387,313 A 6/1968 Smith et al.
Marcus A. Cannon, St. Joseph, MI 3,490,254 A 1/1970 Mason
(US); **Sayer J. Murphy,** St. Joseph, MI 3,968,789 A 7/1976 Simoncini
(US); **Jun Young Park,** St. Joseph, MI D282,318 S * 1/1986 Herzfeld D4/104
(US); **Joel R. Shinaberry,** St. Joseph, D285,130 S * 8/1986 Wilkeson D30/158
MI (US) D295,118 S 4/1988 Valenza
(Continued)

(73) Assignee: **WHIRLPOOL CORPORATION,**
Benton Harbor, MI (US)

FOREIGN PATENT DOCUMENTS

(**) Term: **15 Years**

EP 1508284 A1 2/2005
WO 0216686 A1 2/2002
(Continued)

(21) Appl. No.: **29/796,212**

Primary Examiner — Rhea Shields

(22) Filed: **Jun. 23, 2021**

(74) *Attorney, Agent, or Firm* — Price Heneveld LLP

Related U.S. Application Data

(62) Division of application No. 29/762,539, filed on Dec. 17, 2020, now Pat. No. Des. 925,923, which is a division of application No. 29/660,260, filed on Aug. 20, 2018, now Pat. No. Des. 909,066.

(51) **LOC (14) Cl.** **04-01**

(52) **U.S. Cl.**

USPC **D4/114**

(58) **Field of Classification Search**

USPC D4/114, 120, 130, 125, 134, 127, 104,
D4/138, 106; D32/45, 25; D30/158
CPC . A46B 5/0095; A46B 5/0054; A46B 11/0062;
C11D 17/049; C11D 17/041; A01K
13/003; A01K 13/002; A61H 7/002;
A47K 11/10; A47L 13/10

See application file for complete search history.

(56) **References Cited**

U.S. PATENT DOCUMENTS

2,480,023 A * 8/1949 Holden A61H 7/002
15/159.1

2,546,291 A 3/1951 Baumgartner

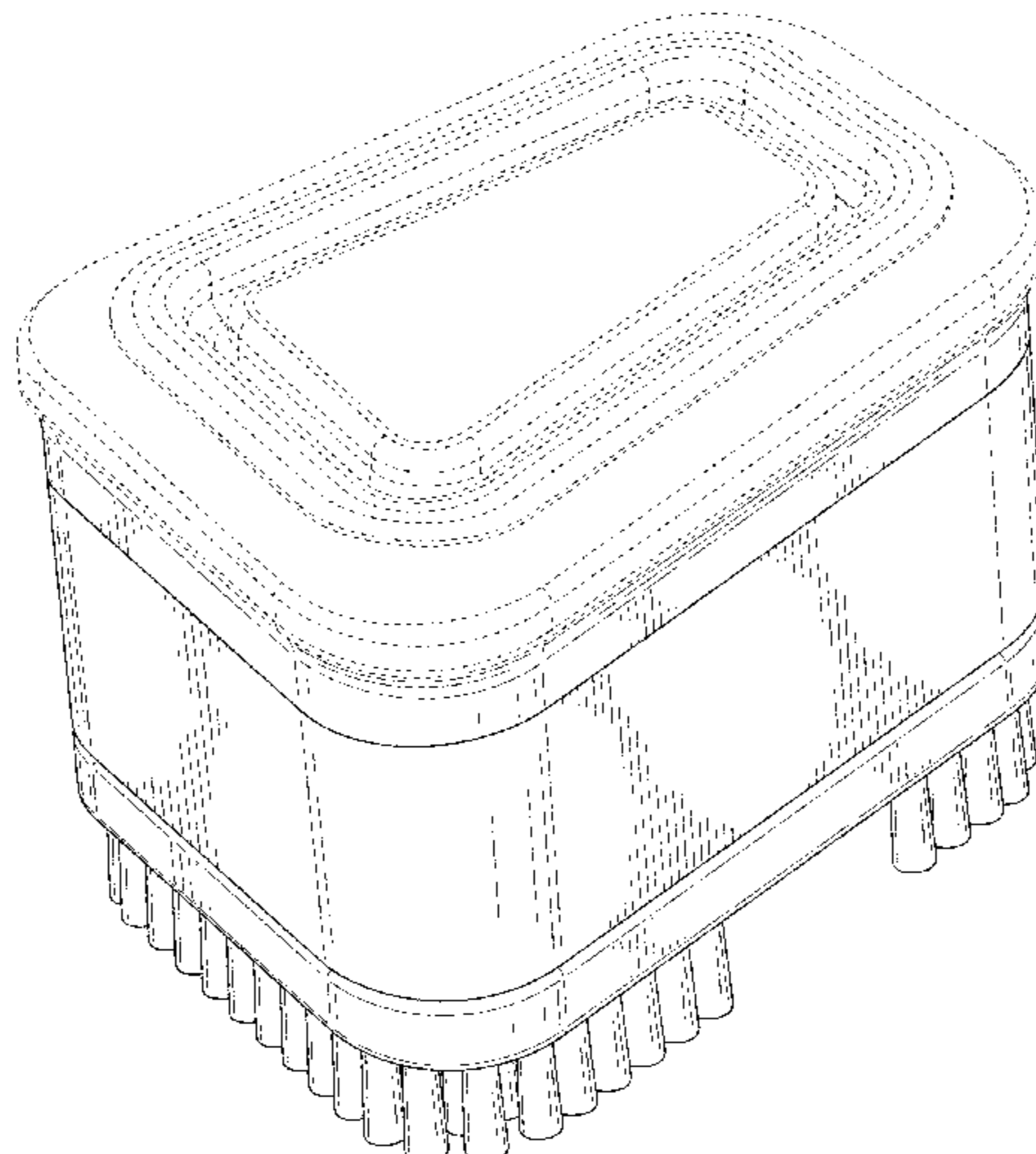
(57) **CLAIM**

The ornamental design for a dispensing brush, as shown and described.

DESCRIPTION

FIG. 1 is a top perspective view of a dispensing brush according to the design;
FIG. 2 is a bottom perspective view thereof;
FIG. 3 is a front elevation view thereof;
FIG. 4 is a back elevation view thereof;
FIG. 5 is a right side elevation view thereof;
FIG. 6 is a left side elevation view thereof;
FIG. 7 is a top plan view thereof; and,
FIG. 8 is a bottom plan view thereof.
The portions of the article shown in broken line form no part of the claimed design.

1 Claim, 8 Drawing Sheets



(56)

References Cited

U.S. PATENT DOCUMENTS

4,903,365 A * 2/1990 Kaufman A47L 13/10
15/187
D324,777 S * 3/1992 Vangen 401/184
D328,374 S 7/1992 Goin
D351,066 S 10/1994 Libman
D387,563 S 12/1997 Koptis
D387,704 S 12/1997 Berti
D420,516 S 2/2000 Schoeneweis et al.
6,210,064 B1 * 4/2001 White A46B 11/0062
401/279
6,353,954 B1 3/2002 Dunsbergen et al.
D493,287 S * 7/2004 Hay D4/130
7,017,222 B2 * 3/2006 Dunn A46B 5/0095
D4/106
7,246,573 B2 * 7/2007 Dunn A01K 13/002
119/632
D553,816 S 10/2007 Lambert
D577,871 S 9/2008 Caserta et al.
D589,667 S * 3/2009 Andersen D32/45
D601,348 S 10/2009 Choi
D657,957 S 4/2012 Camp
D689,700 S * 9/2013 Lee D4/114
D703,825 S 4/2014 Barrett
D703,956 S 5/2014 Treeby et al.
D711,055 S 8/2014 Singer
D727,032 S * 4/2015 Davis D4/125
D739,659 S * 9/2015 Sun D4/130
D764,124 S * 8/2016 Shinozaki D32/25
9,433,191 B2 * 9/2016 Frye A01K 13/003
D811,747 S 3/2018 Powell et al.

D824,679 S 8/2018 Ramos
D827,959 S 9/2018 Larouche
D840,608 S 2/2019 Snead, Sr.
D844,334 S * 4/2019 Lee D4/134
D844,920 S * 4/2019 Renner D32/45
D845,001 S * 4/2019 Jack D4/130
D853,127 S * 7/2019 Kling D4/127
D863,781 S 10/2019 Matsushita
D868,371 S 11/2019 Huchet
D876,842 S * 3/2020 Tschopp D4/127
D886,461 S 6/2020 Du
D887,149 S * 6/2020 Yang D4/127
D887,720 S * 6/2020 Kauffman D4/138
D899,783 S 10/2020 Jack et al.
10,827,822 B2 11/2020 Harrington et al.
D909,066 S * 2/2021 Bixby D4/114
D911,718 S * 3/2021 Johnson D4/130
D925,923 S * 7/2021 Bixby D4/114
D939,218 S * 12/2021 Serposi D4/134
2003/0104962 A1 * 6/2003 Verherbrugghen .. C11D 17/041
510/296
2004/0265042 A1 12/2004 Chan et al.
2015/0272308 A1 * 10/2015 Harrington A46B 5/0054
15/105
2016/0220088 A1 * 8/2016 Zohar C11D 17/049
2017/0362762 A1 12/2017 Carpenter et al.

FOREIGN PATENT DOCUMENTS

WO 2005009198 A1 2/2005
WO 2017067851 A1 4/2017

* cited by examiner

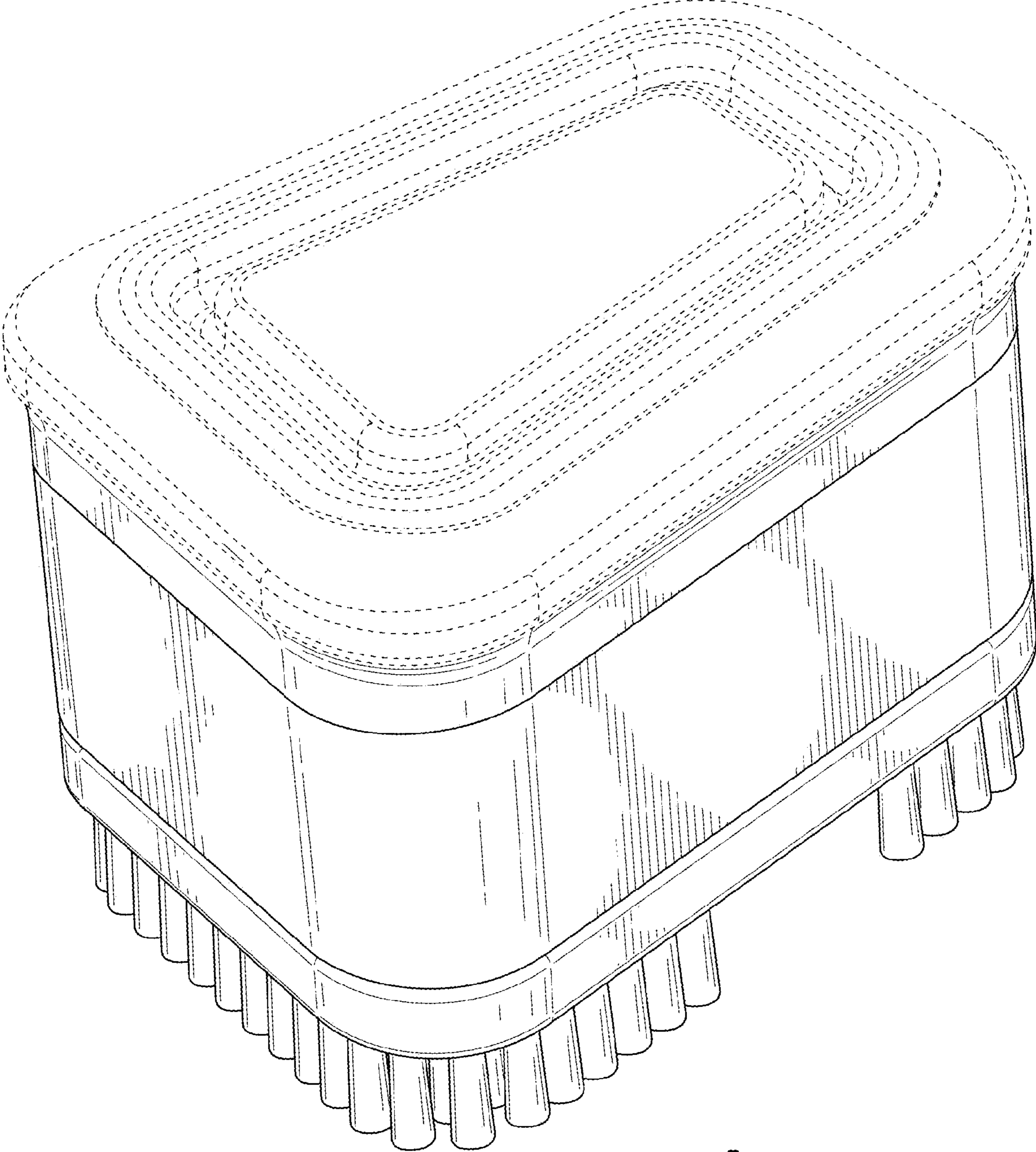


FIG. 1

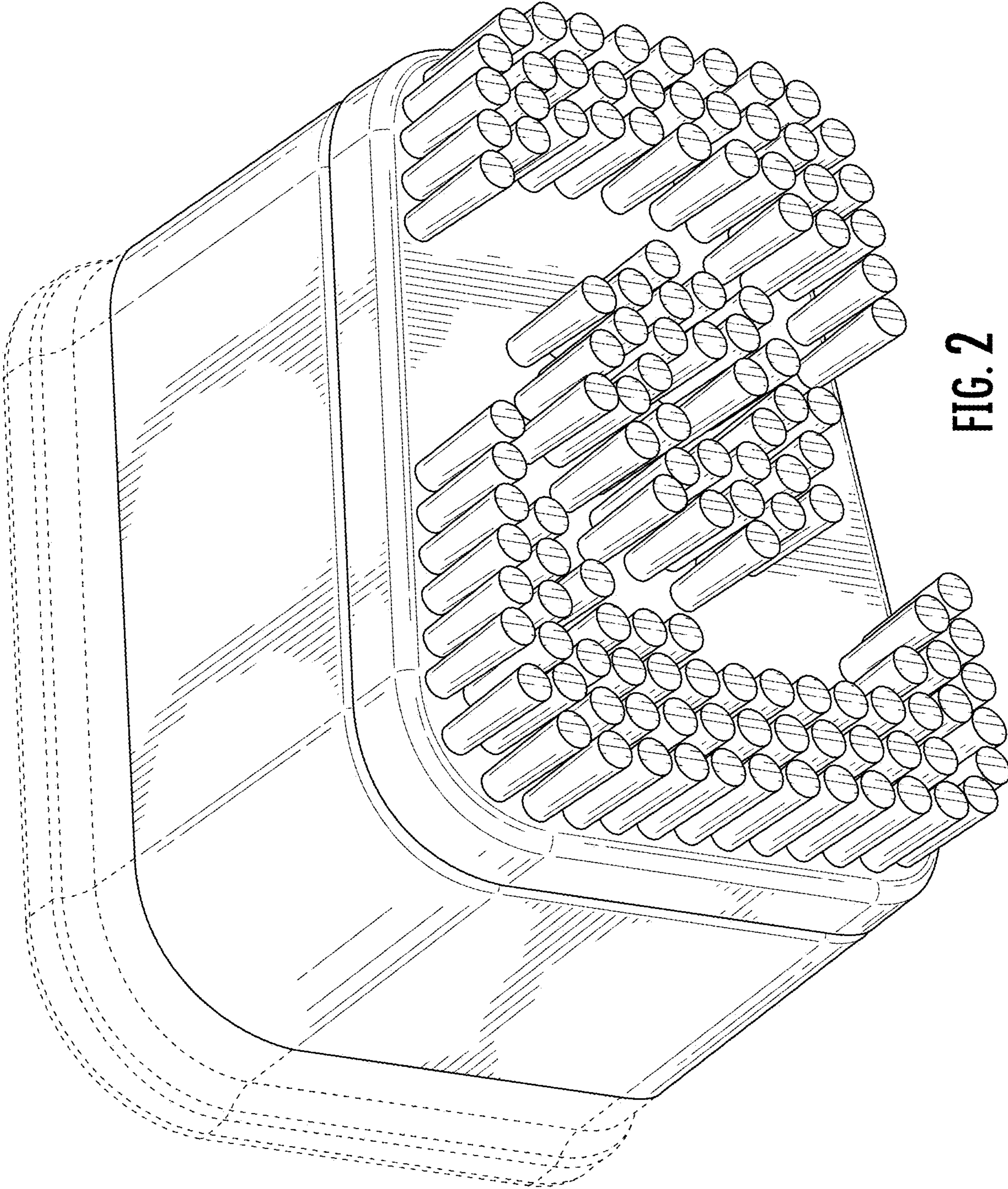


FIG. 2

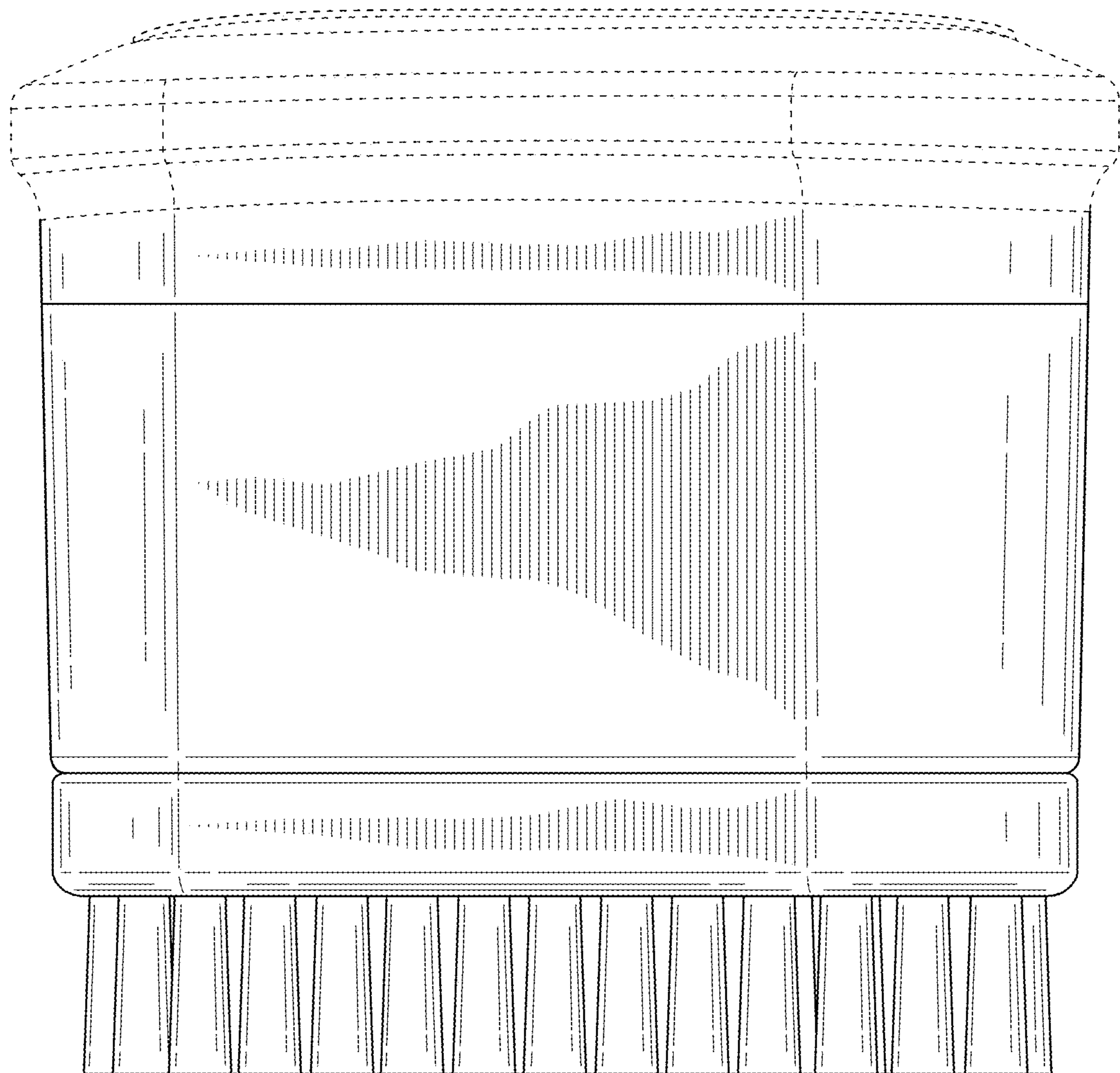


FIG. 3

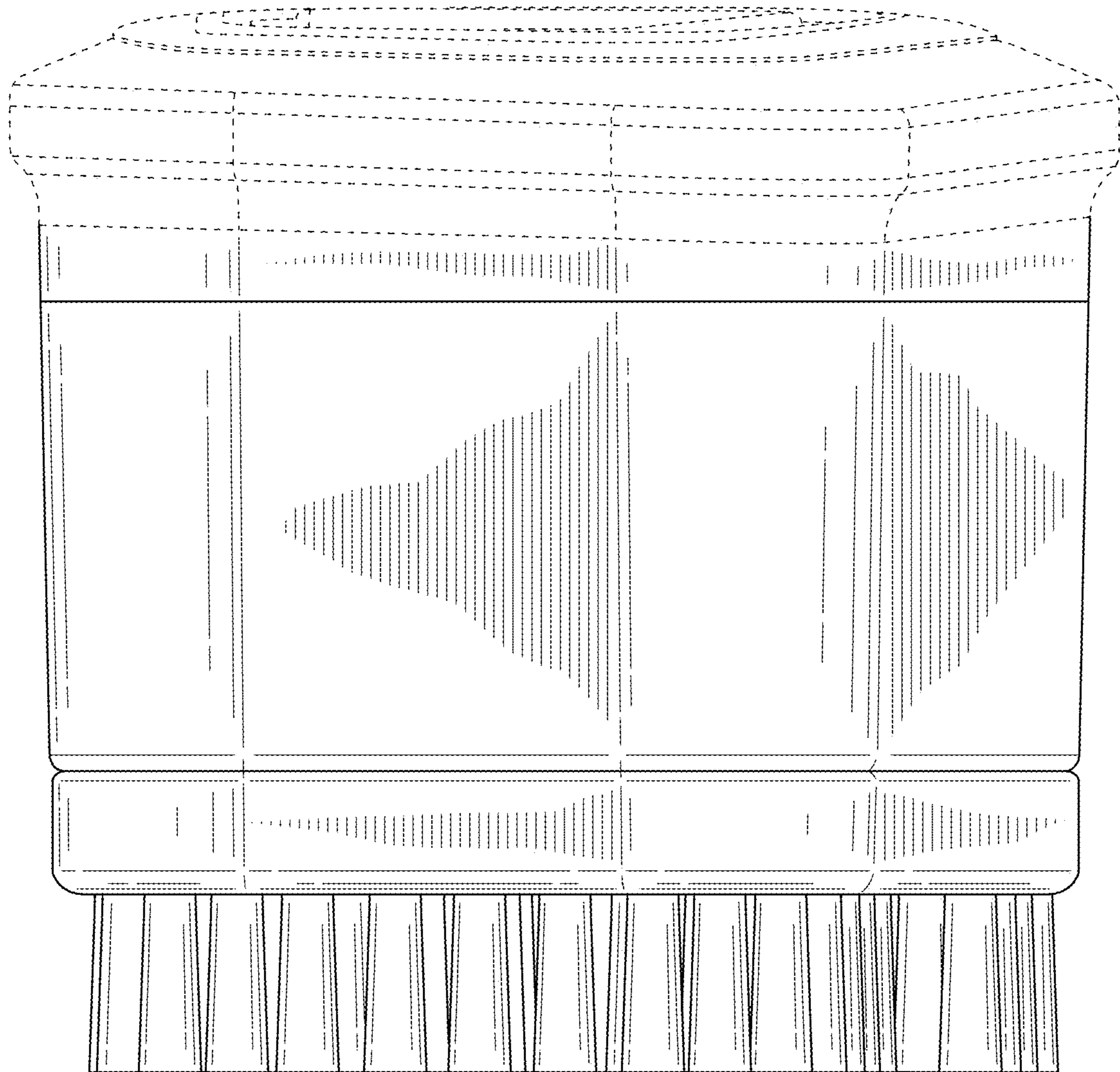


FIG. 4

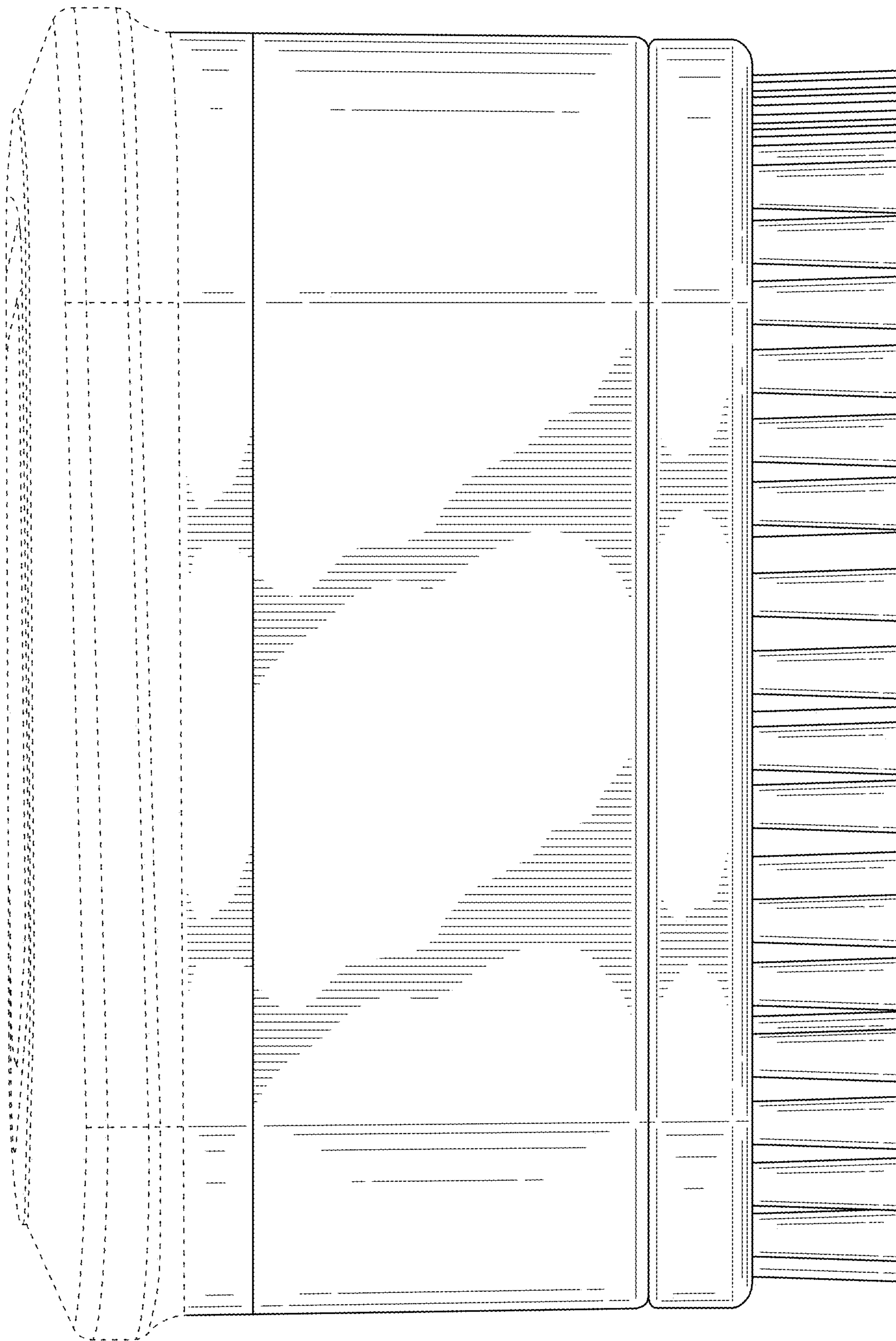


FIG. 5

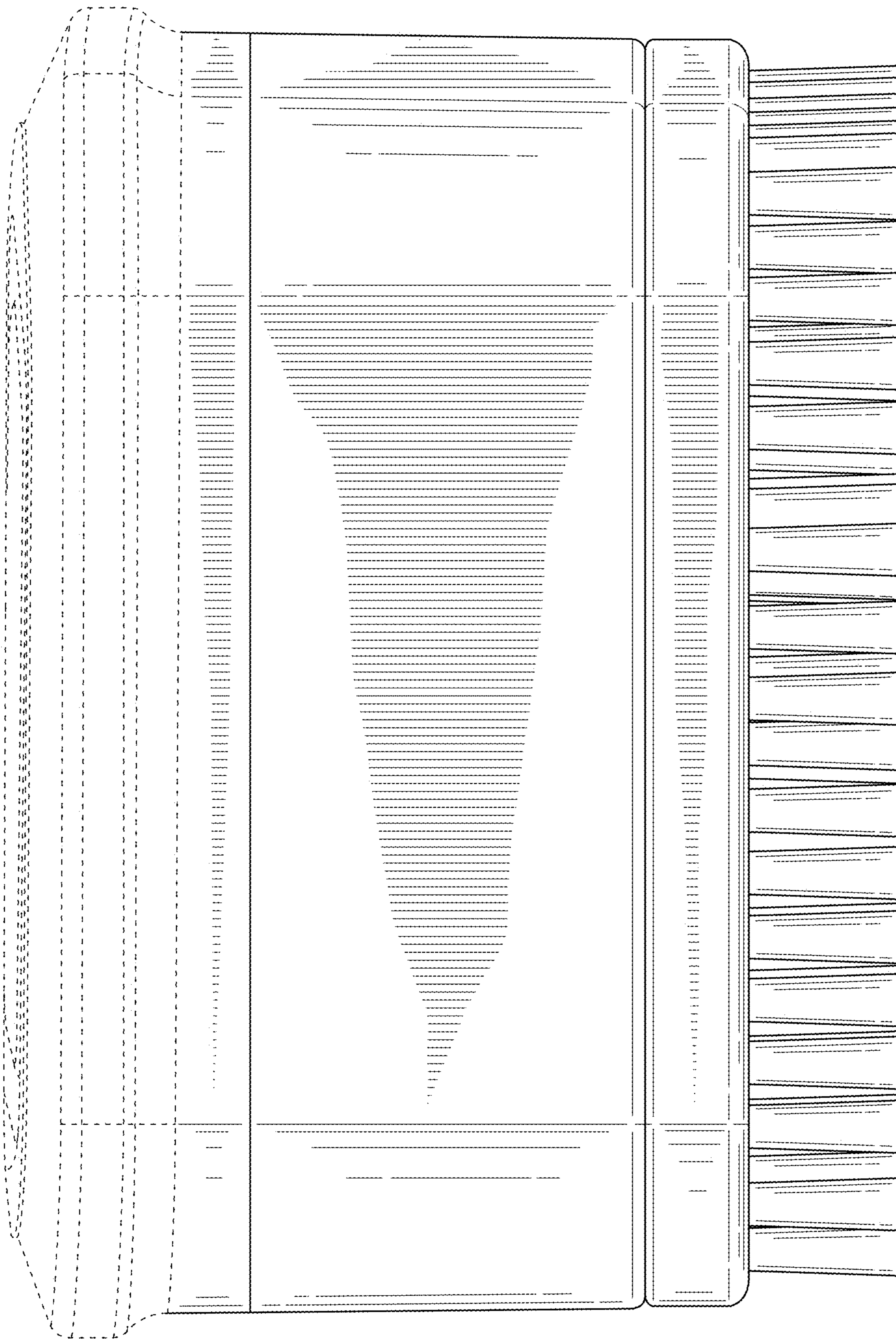


FIG. 6

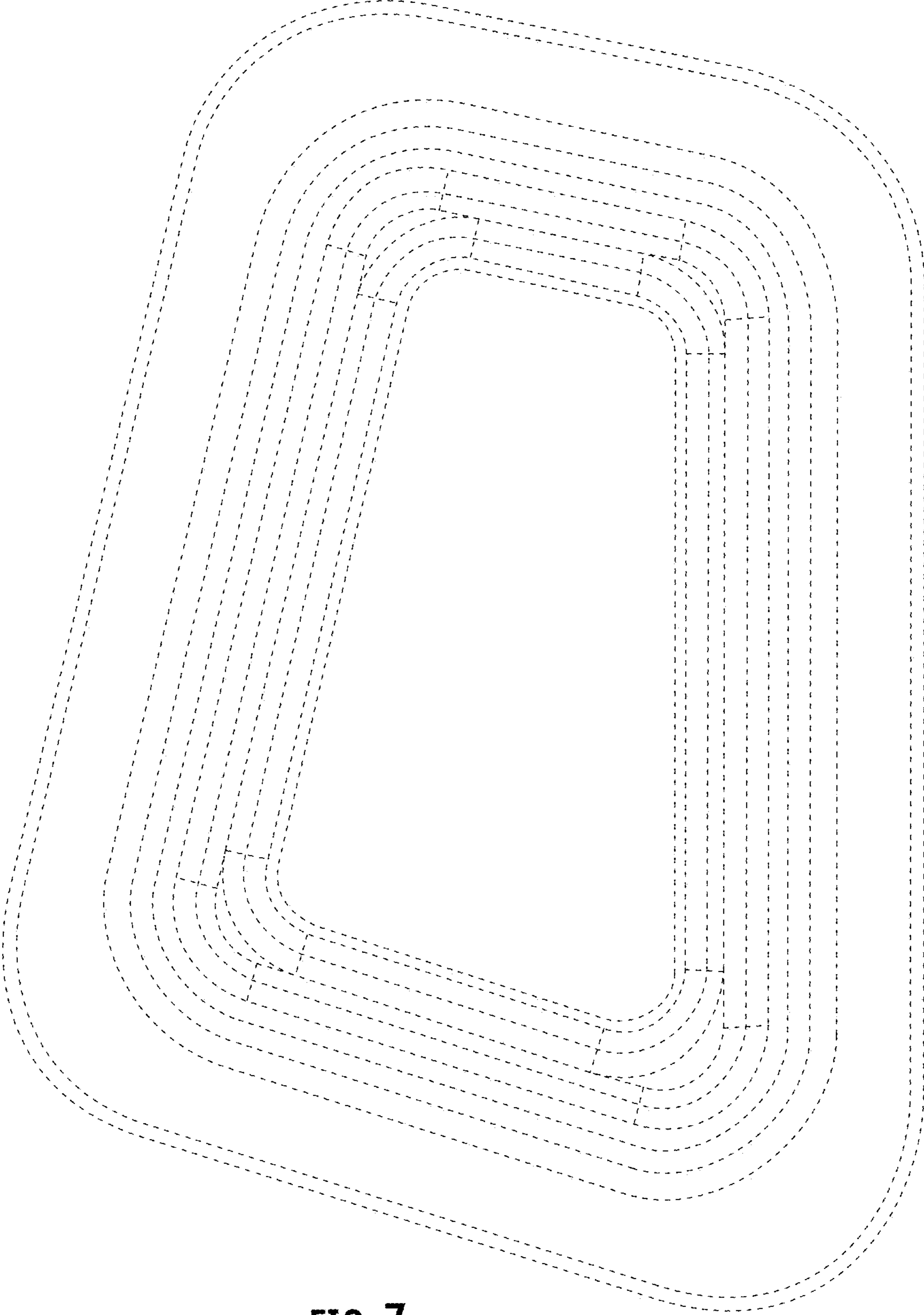


FIG. 7

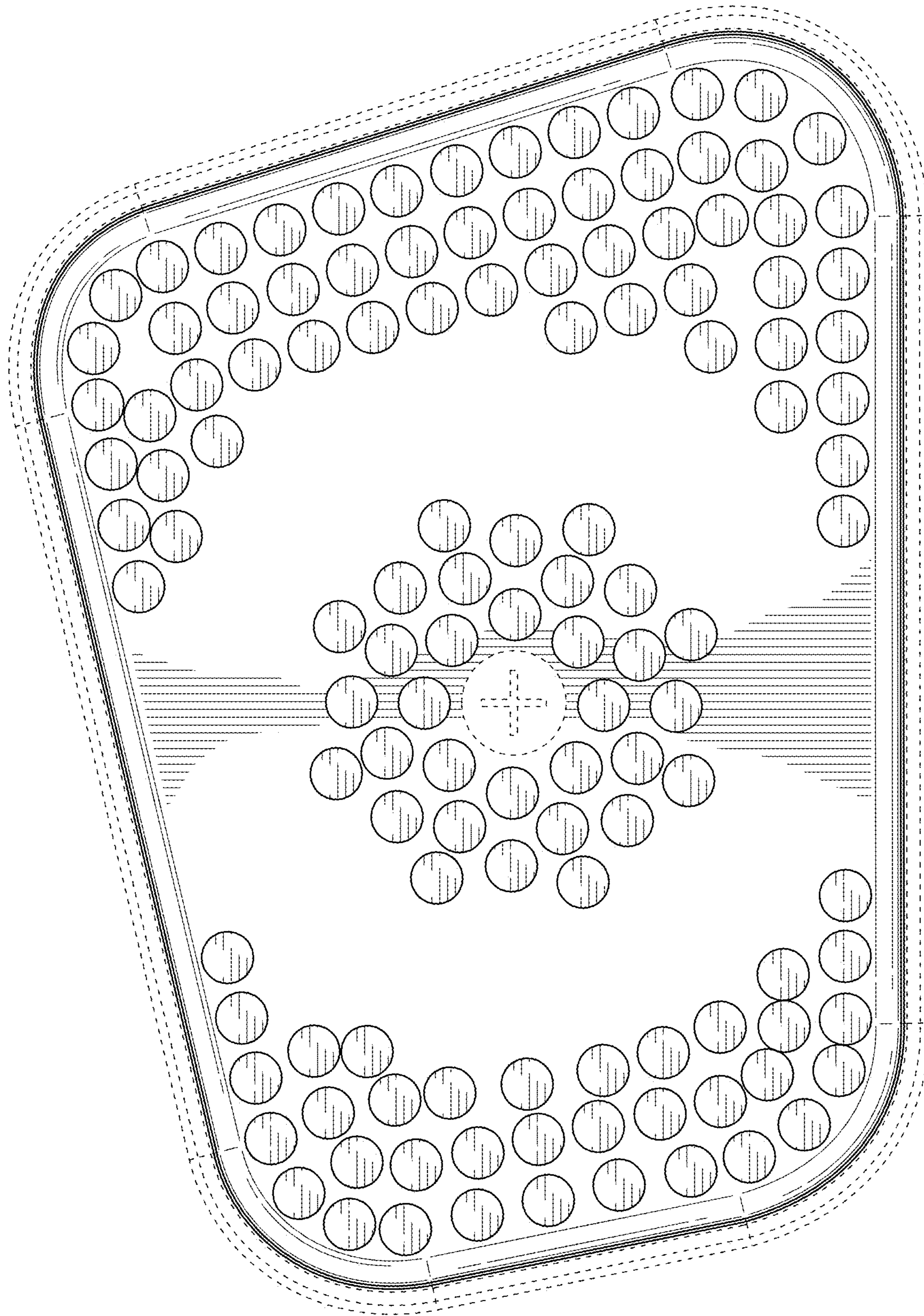


FIG. 8