

US00D974768S

(12) **United States Design Patent**  
**Mancy**

(10) **Patent No.:** **US D974,768 S**  
(45) **Date of Patent:** **\*\* Jan. 10, 2023**

(54) **TOOTHBRUSH HEAD**

FOREIGN PATENT DOCUMENTS

(71) Applicant: **ZIZ DENTAL CARE, S.L.**, Madrid (ES)

JP 1690492 \* 6/2020

(72) Inventor: **Paul Victoria Mancy**, Madrid (ES)

OTHER PUBLICATIONS

(73) Assignee: **ZIZ DENTAL CARE, S.L.**, Madrid (ES)

Scrusher Brush, announced Oct. 2021 [online], [site visited Feb. 9, 2022]. Available from internet, URL: [https://www.scrusher.com/products/deluxe-scrusher?gclid=EAlalQobChMI2frq8NHu9QIVUPviCh3loAJvEAQYASABEgK0s\\_D\\_BwE](https://www.scrusher.com/products/deluxe-scrusher?gclid=EAlalQobChMI2frq8NHu9QIVUPviCh3loAJvEAQYASABEgK0s_D_BwE) (Year: 2021).\*

(\*\*) Term: **15 Years**

Triple Bristle, announced Aug. 2016 [online], [site visited Feb. 9, 2022]. Available from internet, URL: [https://www.amazon.com/Triple-Bristle-Replacement-Heads-Toothbrush/dp/B01L34U7U4/ref=sr\\_1\\_1\\_sspa](https://www.amazon.com/Triple-Bristle-Replacement-Heads-Toothbrush/dp/B01L34U7U4/ref=sr_1_1_sspa) (Year: 2016).\*

(21) Appl. No.: **29/762,663**

Triple Kids Brush, announced Oct. 2020 [online], [site visited Feb. 9, 2022]. Available from internet, URL: [https://www.amazon.com/Triple-Toothbrush-Rechargeable-Patented-Bristles/dp/B08BYK41DN/ref=psdc\\_3778351\\_t4\\_B01L34U7U4](https://www.amazon.com/Triple-Toothbrush-Rechargeable-Patented-Bristles/dp/B08BYK41DN/ref=psdc_3778351_t4_B01L34U7U4) (Year: 2020).\*

(22) Filed: **Dec. 17, 2020**

(30) **Foreign Application Priority Data**

Jun. 22, 2020 (EM) ..... 8015788-0001

(51) **LOC (14) Cl.** ..... **04-02**

\* cited by examiner

(52) **U.S. Cl.**

USPC ..... **D4/106**

(58) **Field of Classification Search**

USPC ..... D4/100-138, 199; D24/176, 181, 152  
CPC .... A46B 2200/1066; A46B 2200/1073; A46B 2200/1086; A46B 2200/3093; A46B 5/0095; A46B 13/023; A46B 9/04; A61C 17/16; A61C 17/222

See application file for complete search history.

*Primary Examiner* — Cynthia Ramirez

*Assistant Examiner* — Tamara L Hahn

(74) *Attorney, Agent, or Firm* — Sughrue Mion, PLLC

(56) **References Cited**

U.S. PATENT DOCUMENTS

- 5,497,526 A \* 3/1996 Klinkhammer ..... A46B 9/045 15/207.2
- D697,311 S \* 1/2014 Herr ..... D4/106
- 2012/0321369 A1 \* 12/2012 Herr ..... A46B 5/002 401/175
- 2013/0333134 A1 \* 12/2013 Herr ..... A46B 5/002 15/167.2
- 2015/0342712 A1 \* 12/2015 Sverzhin-Babiner ..... A46B 5/0012 15/167.2
- 2020/0128946 A1 \* 4/2020 Castaldo ..... A46B 9/045
- 2022/0015885 A1 \* 1/2022 Silverberg ..... A61C 17/032

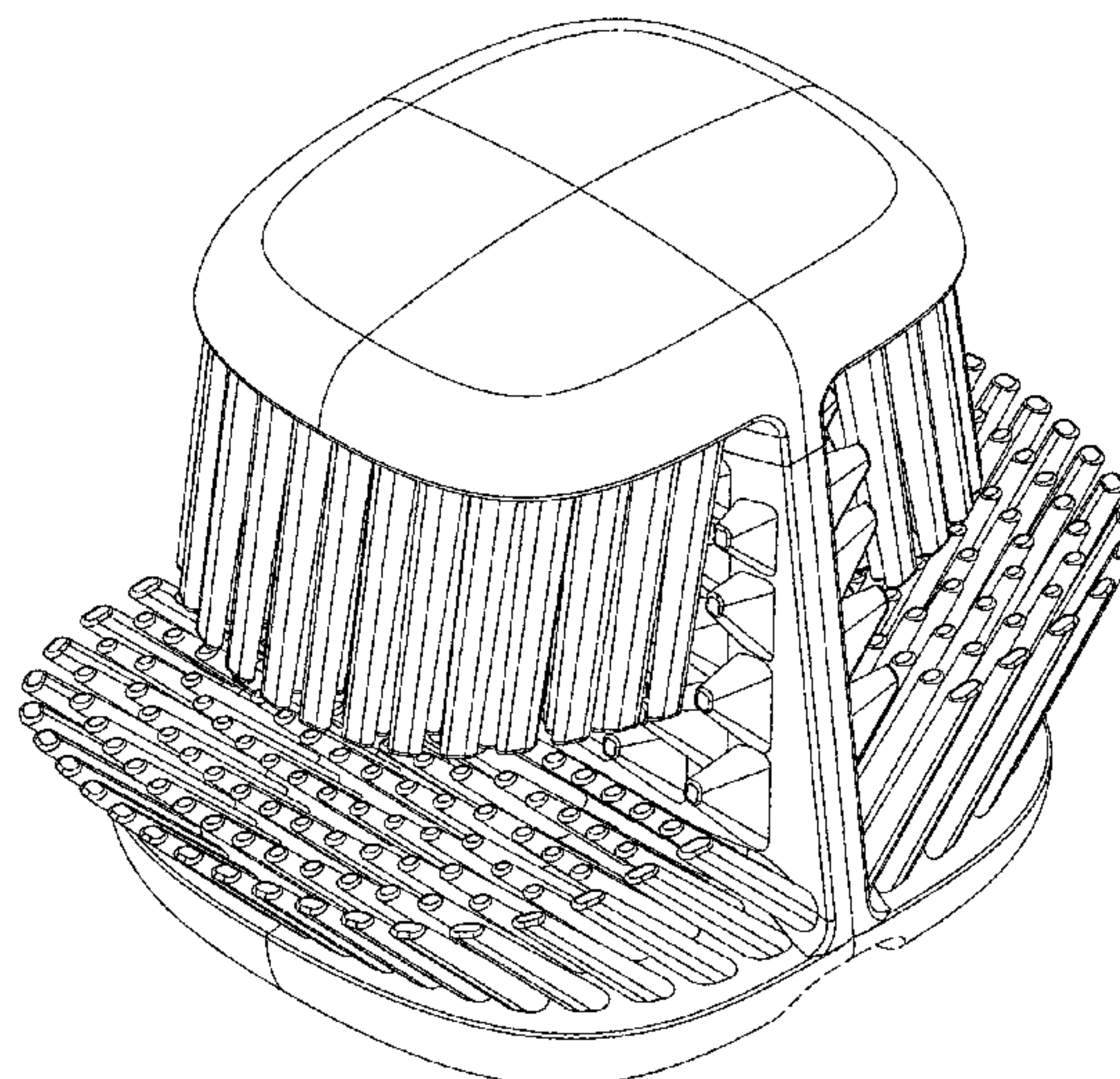
**CLAIM**

The ornamental design for a toothbrush head, as shown and described.

**DESCRIPTION**

FIG. 1 is a perspective view of an toothbrush head showing my new design;  
FIG. 2 is a front view thereof;  
FIG. 3 is a back view thereof;  
FIG. 4 is a bottom view thereof;  
FIG. 5 is a top view thereof;  
FIG. 6 is a right side view thereof; and,  
FIG. 7 is a left side view thereof.

**1 Claim, 7 Drawing Sheets**



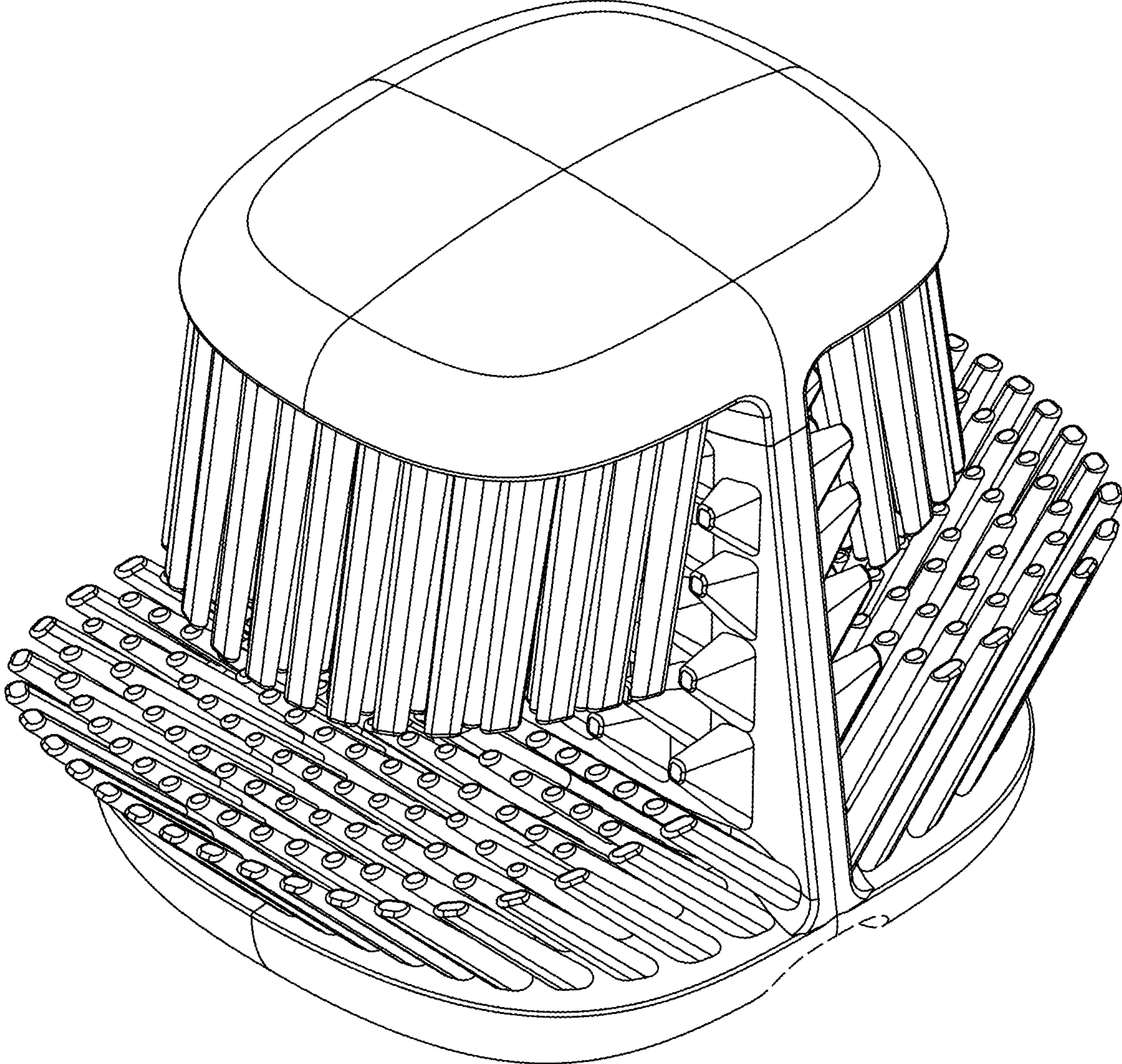


FIG. 1



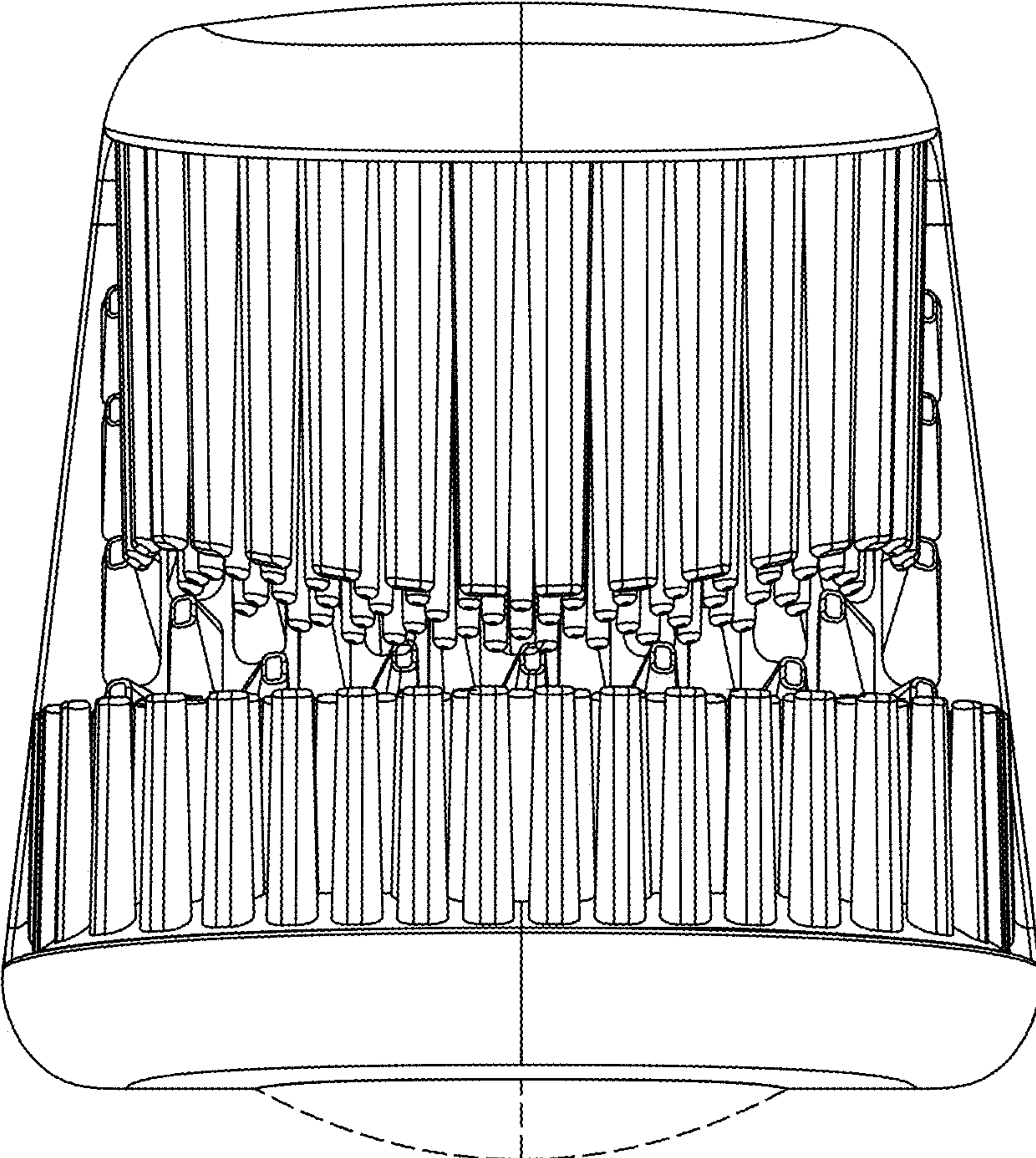


FIG. 2

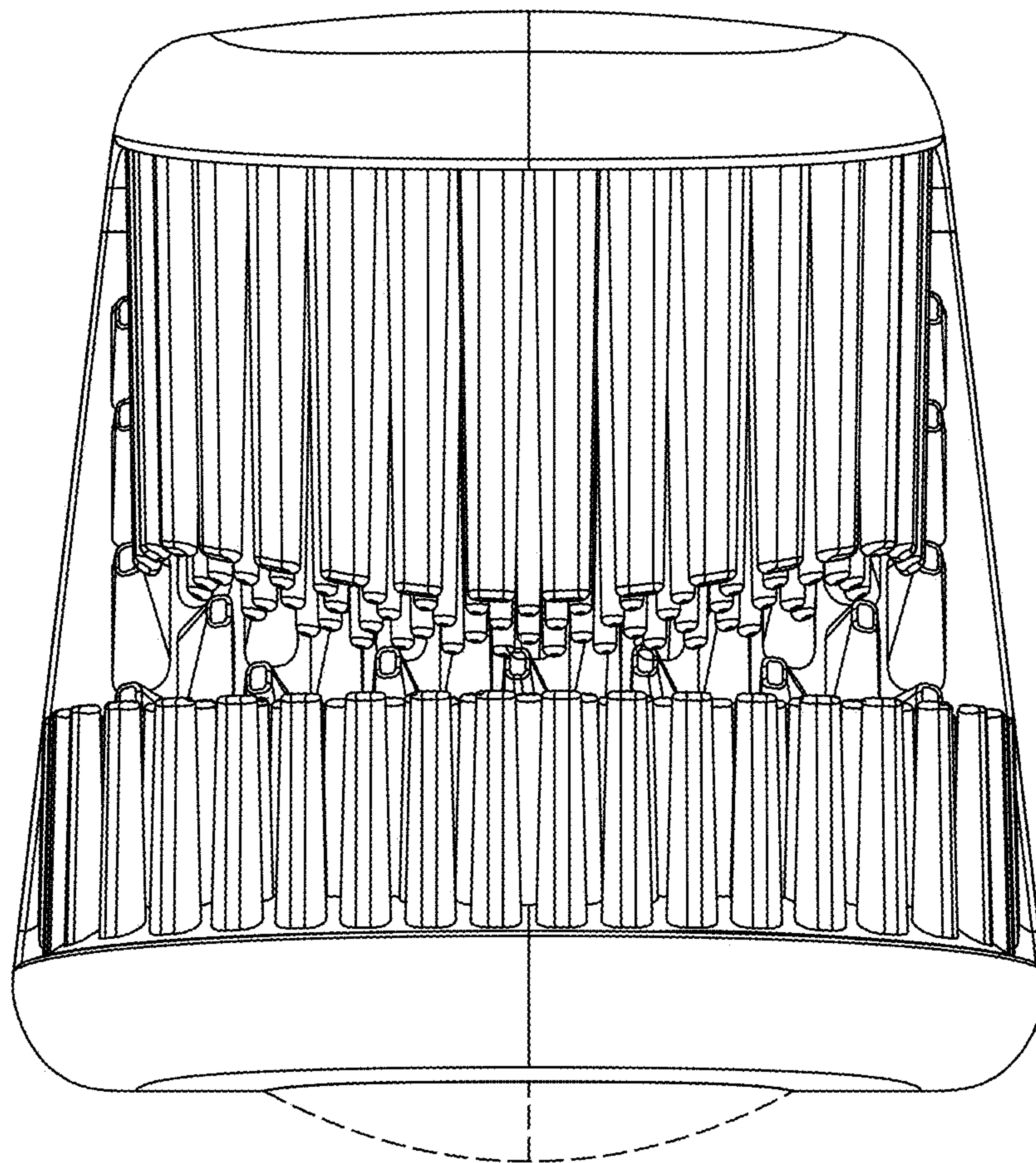


FIG. 3

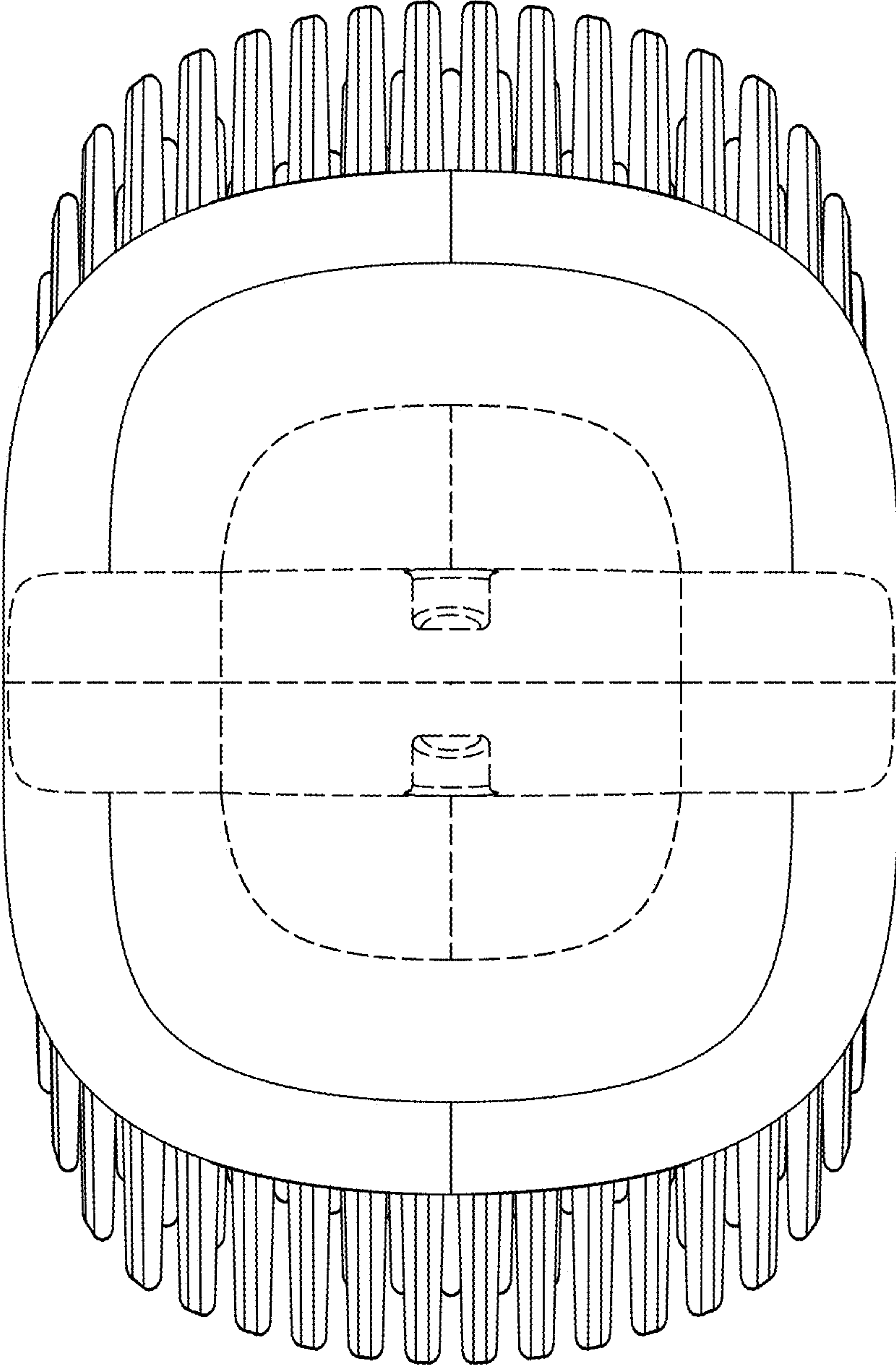


FIG. 4

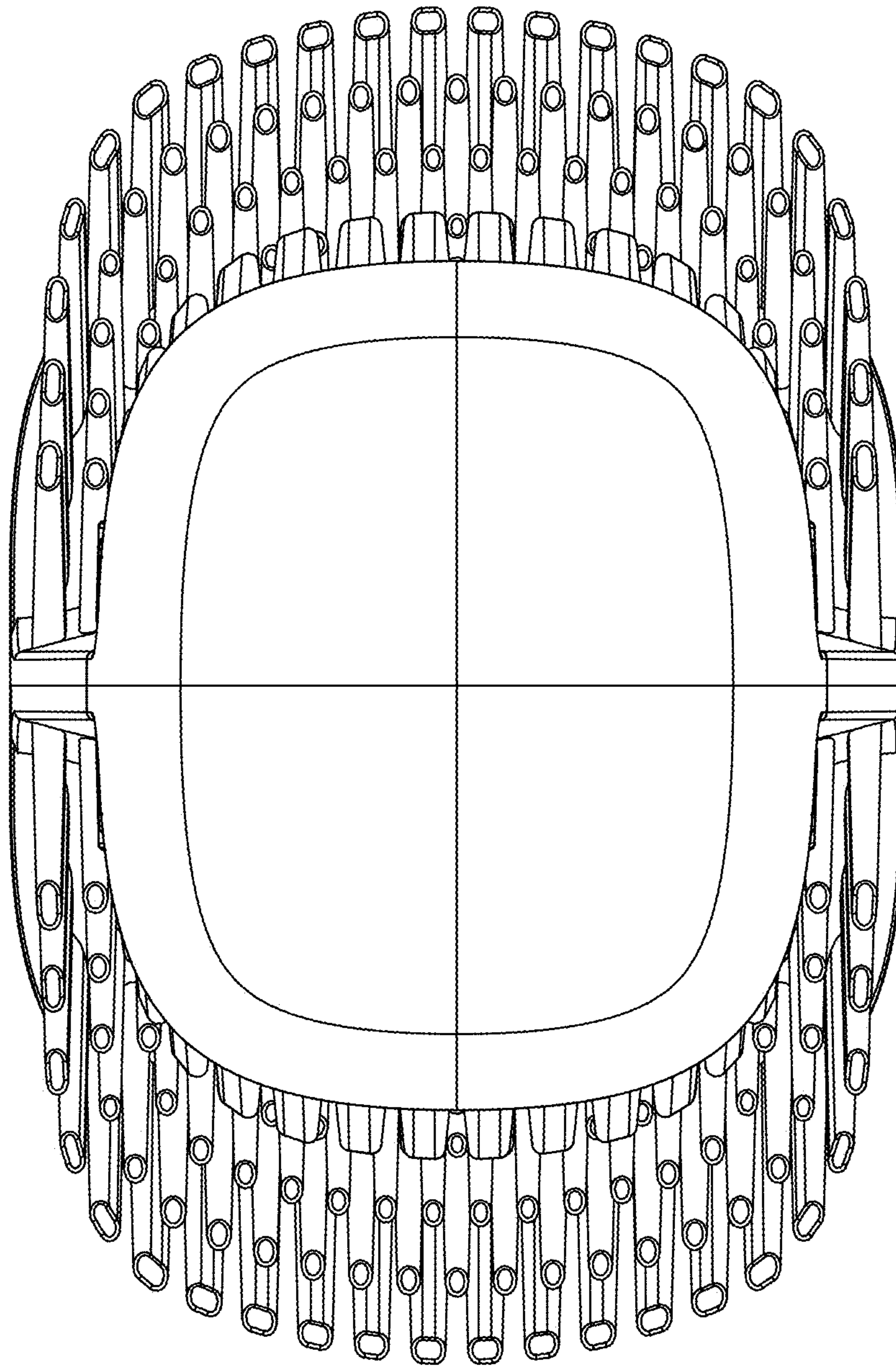


FIG. 5



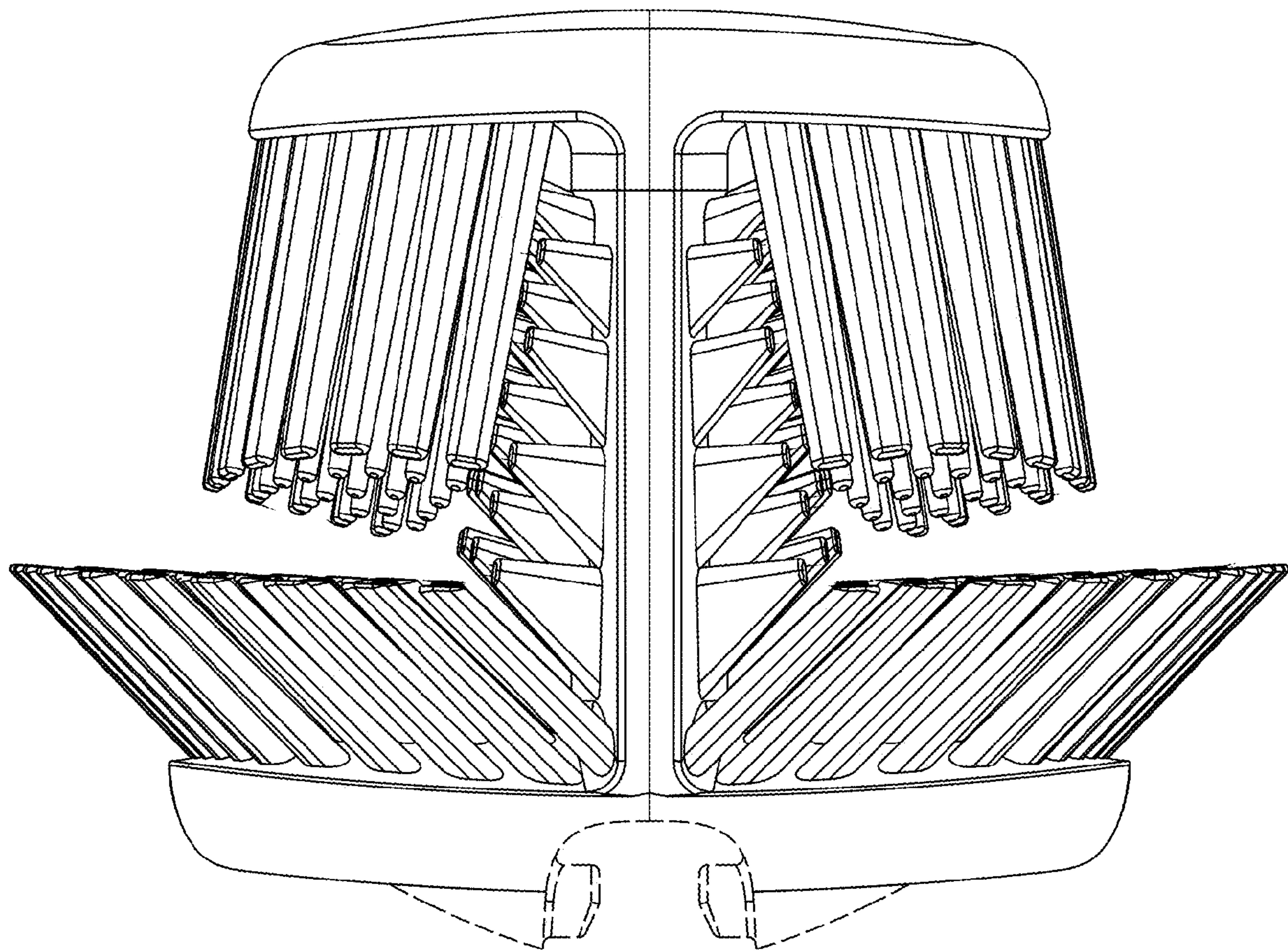


FIG. 6

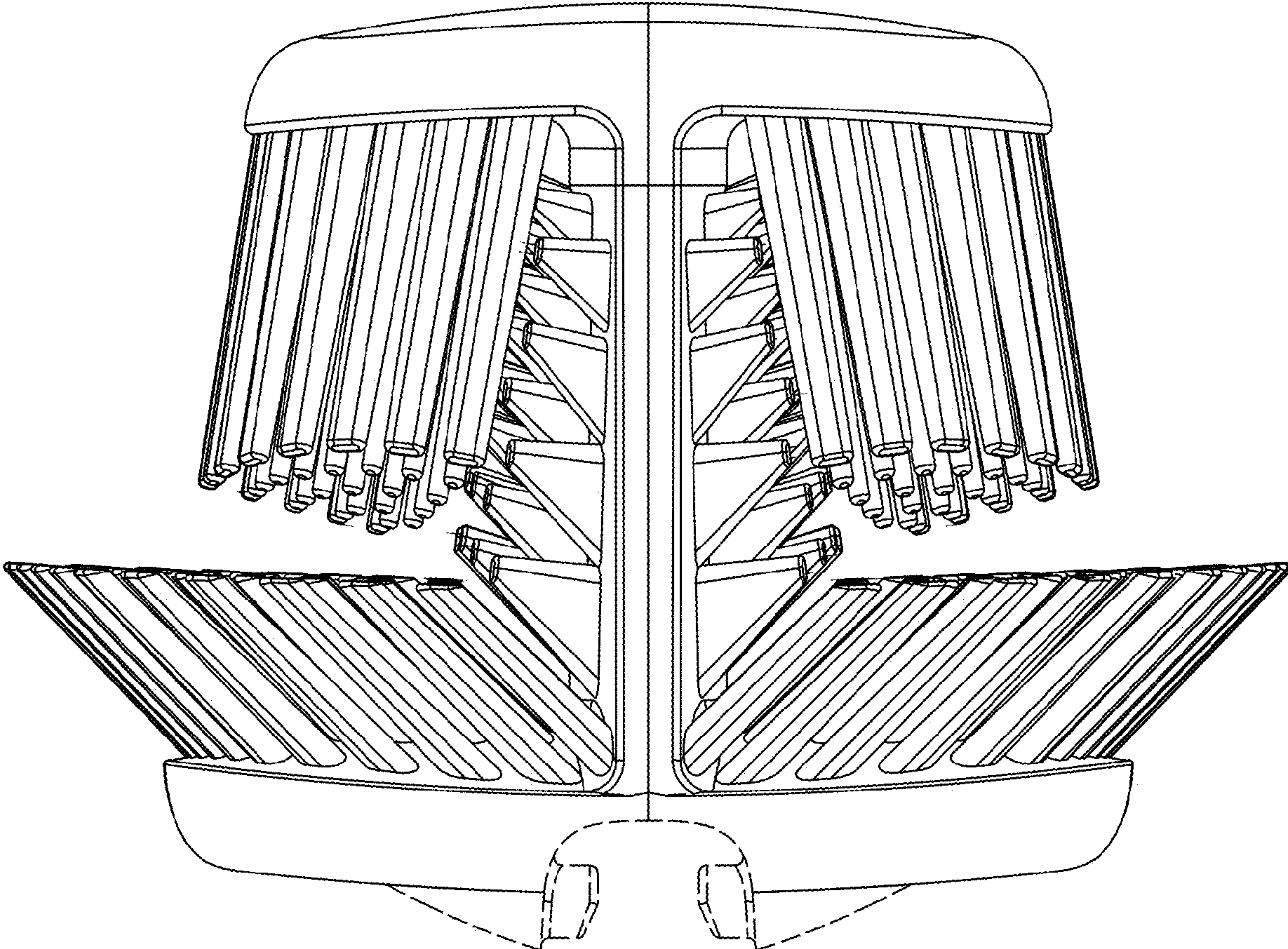


FIG. 7