



US00D974765S

(12) **United States Design Patent** (10) **Patent No.:** **US D974,765 S**
Jimenez et al. (45) **Date of Patent:** **** Jan. 10, 2023**

(54) **TOOTHBRUSH HANDLE**

OTHER PUBLICATIONS

(71) Applicant: **Colgate-Palmolive Company**, New York, NY (US)

Taiwanese Search Report issues in Taiwan Appln. No. 110302513 dated Dec. 2, 2021.

(Continued)

(72) Inventors: **Eduardo Jimenez**, Manalapan, NJ (US); **Bruce Cummings**, New York, NY (US); **Renee Marie Riethmiller**, Larchmont, NY (US)

Primary Examiner — Karen E Eldridge Powers

(73) Assignee: **Colgate-Palmolive Company**, New York, NY (US)

(57) **CLAIM**

The ornamental design for a toothbrush handle, as shown and described.

(**) Term: **15 Years**

(21) Appl. No.: **29/758,468**

DESCRIPTION

(22) Filed: **Nov. 16, 2020**

(51) **LOC (14) Cl.** **28-03**

(52) **U.S. Cl.**
USPC **D4/101**

(58) **Field of Classification Search**
USPC D4/100, 101, 104, 105, 106, 107, 108,
D4/109, 110, 111, 112, 113, 158
CPC . A46B 5/0095; A46B 9/04; A46B 2200/1066;
A46B 5/02
See application file for complete search history.

FIG. 1 is a front, top and left side perspective view of a toothbrush handle according to a first embodiment of the new design;
FIG. 2 is a rear, bottom and right side perspective view thereof;
FIG. 3 is a front elevation view thereof;
FIG. 4 is a rear elevation view thereof;
FIG. 5 is a left side elevation view thereof;
FIG. 6 is a right side elevation view thereof;
FIG. 7 is a top plan view thereof;
FIG. 8 is a bottom plan view thereof;
FIG. 9 is a front, top and left side perspective view of a toothbrush handle according to a second embodiment of the new design;
FIG. 10 is a rear, bottom and right side perspective view thereof;
FIG. 11 is a front elevation view thereof;
FIG. 12 is a rear elevation view thereof;
FIG. 13 is a left side elevation view thereof;
FIG. 14 is a right side elevation view thereof;
FIG. 15 is a top plan view thereof; and,
FIG. 16 is a bottom plan view thereof.

The broken lines illustrate portions of the toothbrush handle that form no part of the claimed design.

(56) **References Cited**

U.S. PATENT DOCUMENTS

2,835,912 A * 5/1958 Pensky A46B 5/02
15/246
4,606,484 A 8/1986 Winter et al.
4,922,575 A 5/1990 Riemann
5,774,921 A 7/1998 Harrison et al.
5,791,705 A 8/1998 Romero et al.

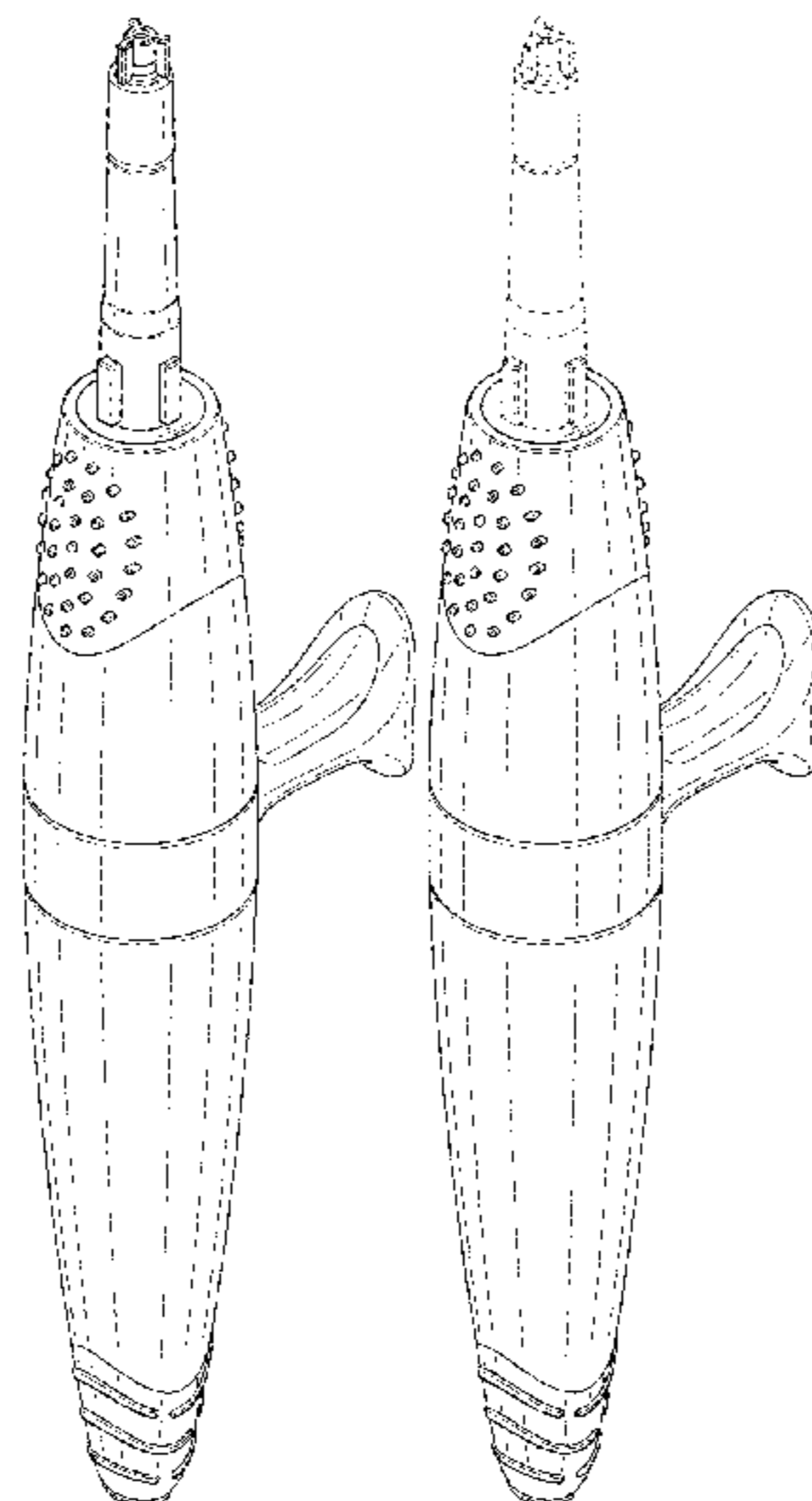
(Continued)

FOREIGN PATENT DOCUMENTS

CN 201431102 3/2010
CN 305318882 8/2019

(Continued)

1 Claim, 8 Drawing Sheets



(56)

References Cited

U.S. PATENT DOCUMENTS

7,089,621 B2 * 8/2006 Hohlbein A46B 9/06
601/142

D527,527 S 9/2006 Ramelli

D577,198 S 9/2008 Jimenez et al.

7,975,343 B2 * 7/2011 Hohlbein A46B 15/0032
15/167.1

8,539,630 B2 * 9/2013 Gatzemeyer A61C 17/0205
433/80

8,769,832 B1 7/2014 Joyner

9,044,853 B2 6/2015 Phui

D775,470 S 1/2017 Xi et al.

D799,218 S * 10/2017 Okai D4/104

D799,835 S * 10/2017 Okai D4/101

D807,693 S 1/2018 Obmaces

D823,000 S 7/2018 Wainless et al.

D828,035 S 9/2018 Wainless et al.

10,258,551 B2 * 4/2019 Rege A61K 9/0056

D851,938 S * 6/2019 Bloch D4/101

10,449,022 B2 * 10/2019 Okai A46B 9/06

10,449,663 B2 10/2019 Martin

D866,193 S 11/2019 Wainless et al.

D866,194 S 11/2019 Wainless et al.

D867,762 S * 11/2019 Bloch D4/101

10,603,147 B2 * 3/2020 Bloch A46B 7/04

10,631,964 B2 * 4/2020 Bloch A61C 17/3481

10,639,133 B2 * 5/2020 Bloch A61C 17/222

D887,148 S * 6/2020 Okai D4/104

10,709,533 B2 * 7/2020 Bloch A61C 17/225

D895,973 S * 9/2020 Ji D4/101

2008/0131842 A1 6/2008 Edwards

2009/0144921 A1 6/2009 Newsome

2015/0305483 A1 10/2015 Miller et al.

FOREIGN PATENT DOCUMENTS

CN 305368567 9/2019

CN 305526416 12/2019

CN 305571153 1/2020

CN 305614134 2/2020

CN 305692562 4/2020

JP H1014659 1/1998

OTHER PUBLICATIONS

Taiwanese Search Report issues in Taiwan Appln. No. 110302514 dated Dec. 2, 2021.

Taiwanese Search Report issues in Taiwan Appln. No. 110302515 dated Dec. 3, 2021.

Taiwanese Search Report issues in Taiwan Appln. No. 110302516 dated Dec. 4, 2021.

International Search Report and the Written Opinion of the International Searching Authority issued in International Application PCT/US2021/057528 dated Jan. 28, 2022.

* cited by examiner

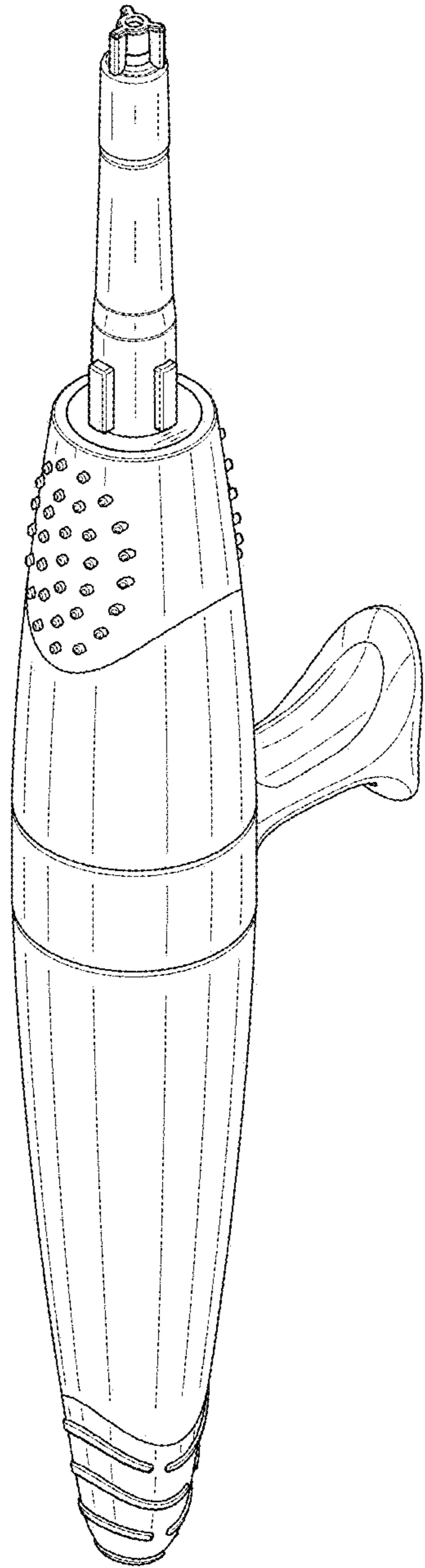


FIG. 1

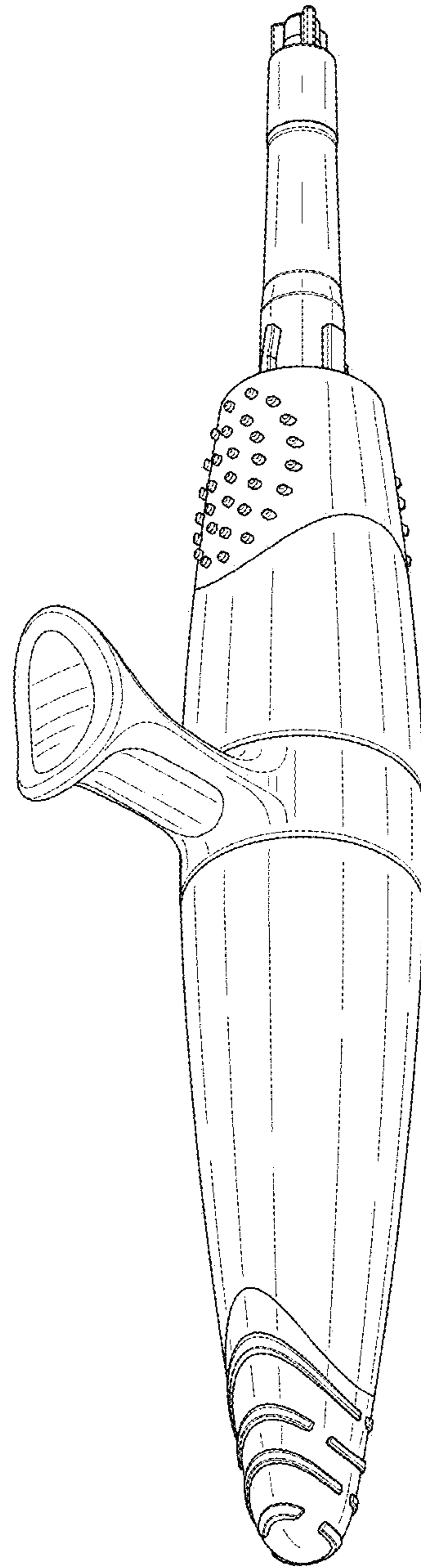


FIG. 2

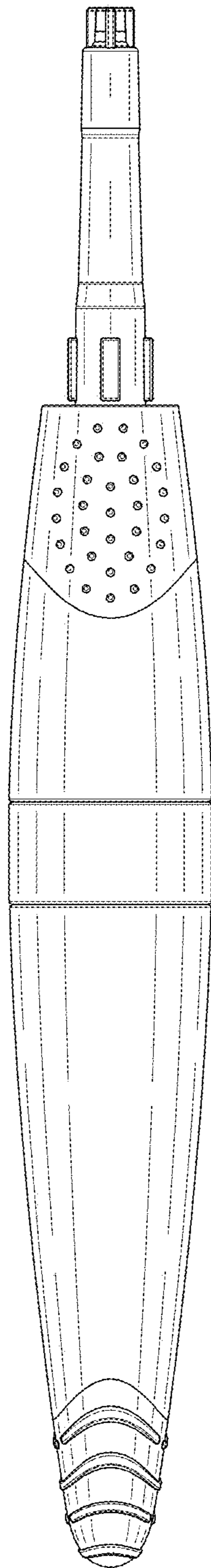


FIG. 3

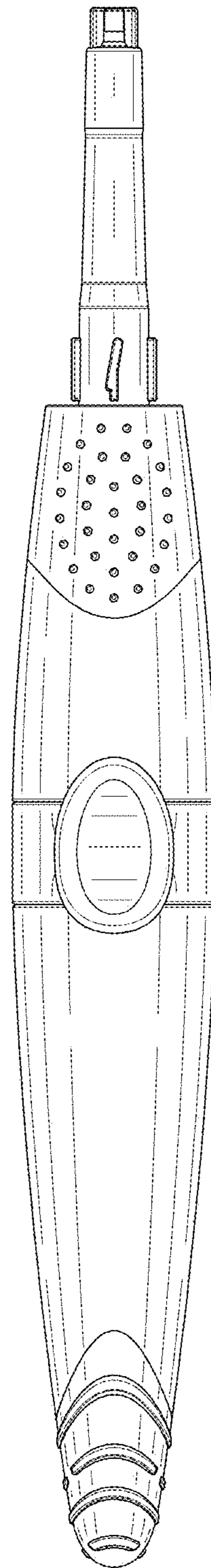


FIG. 4

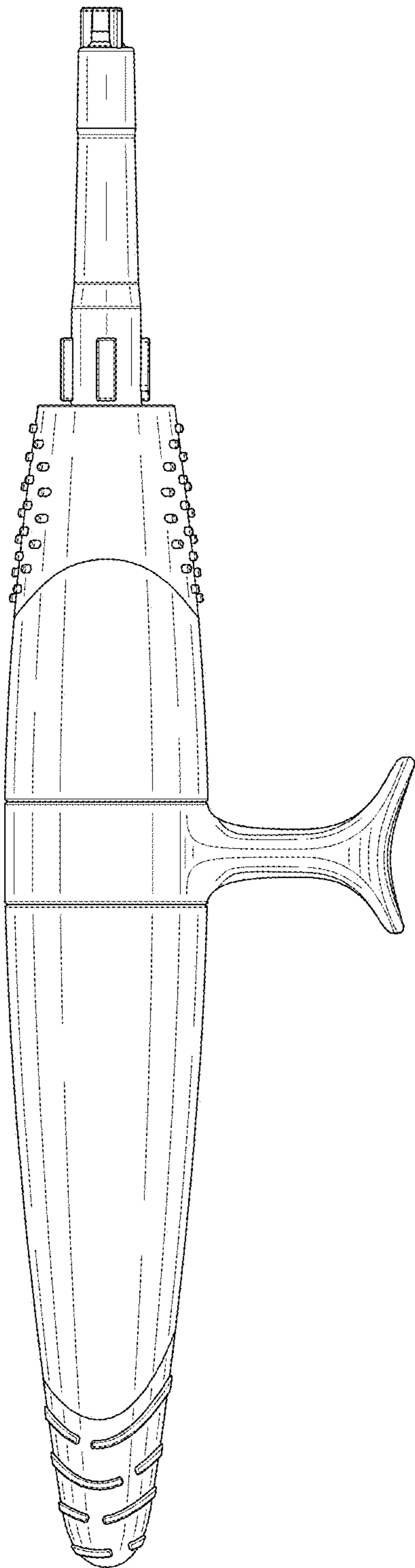


FIG. 5

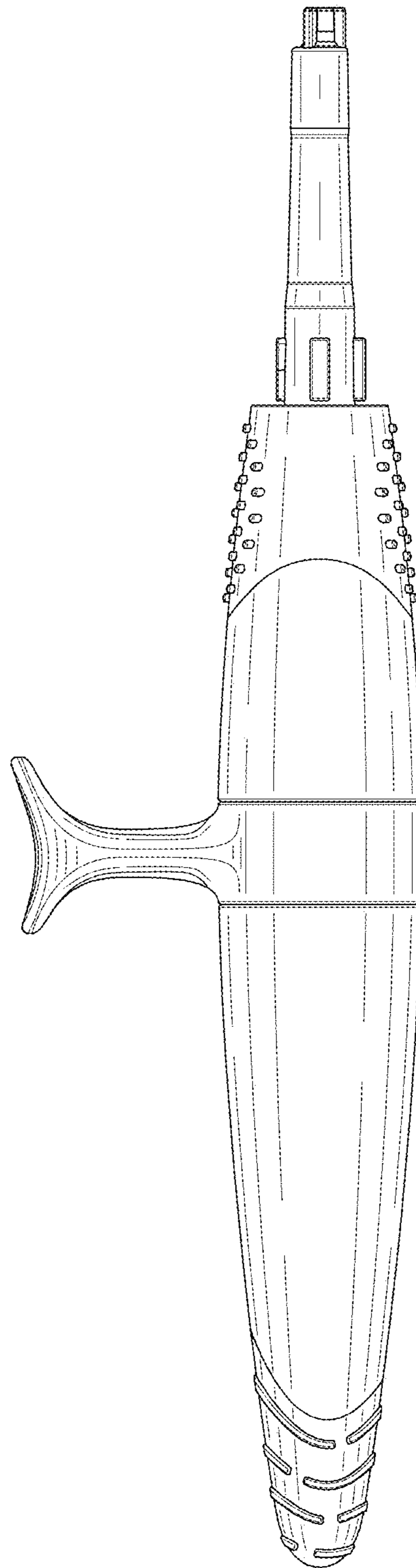


FIG. 6

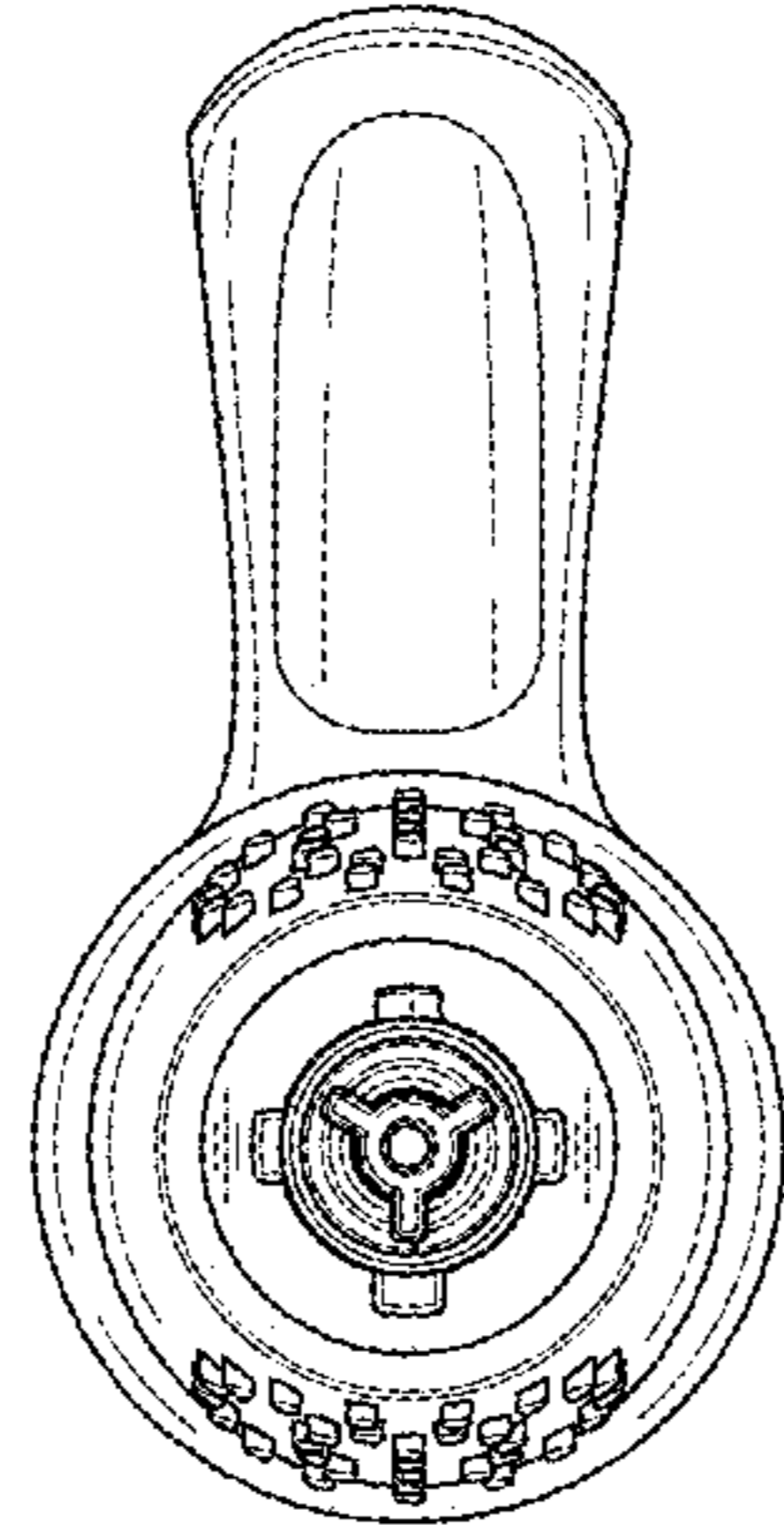


FIG. 7

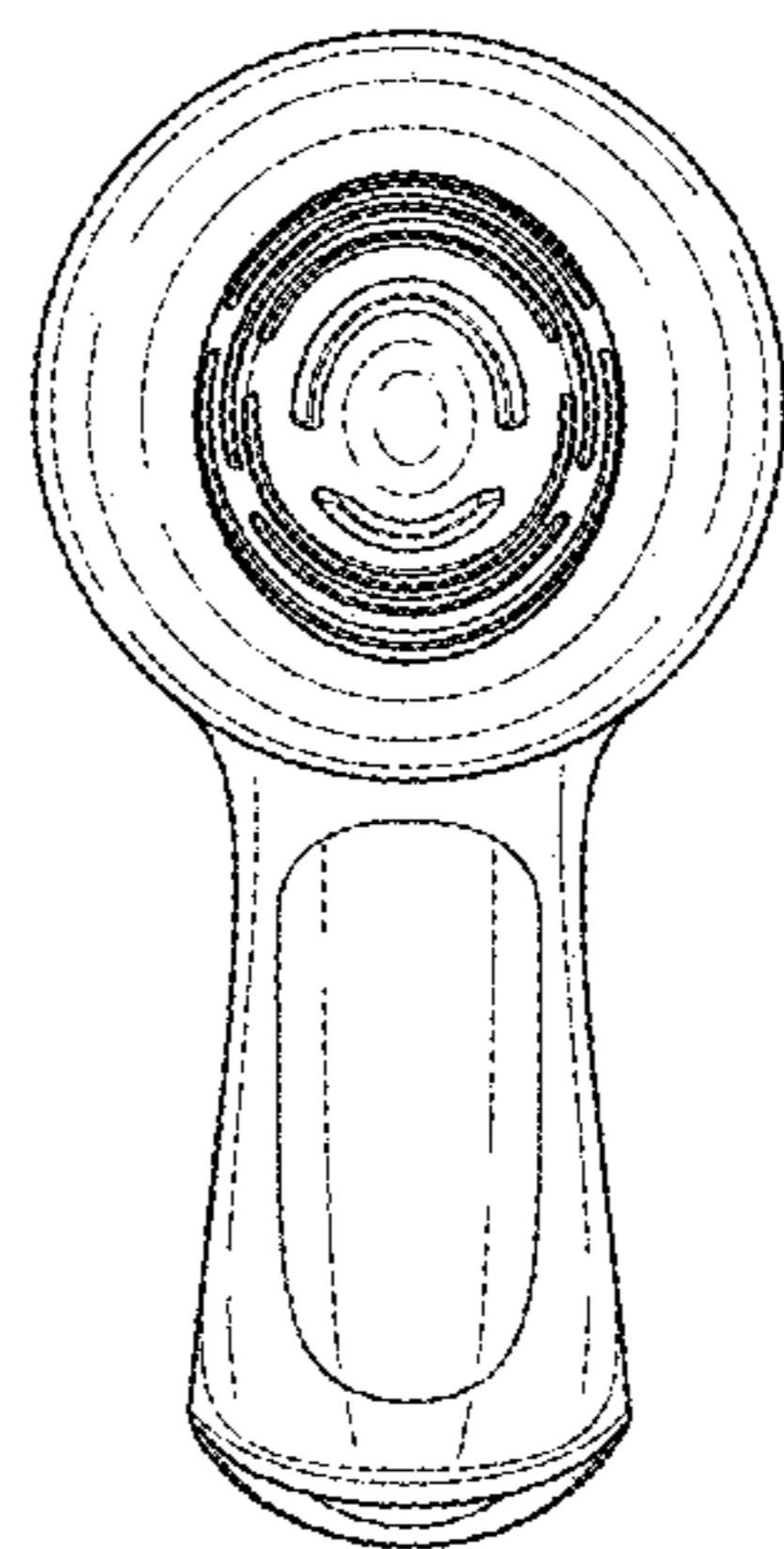


FIG. 8

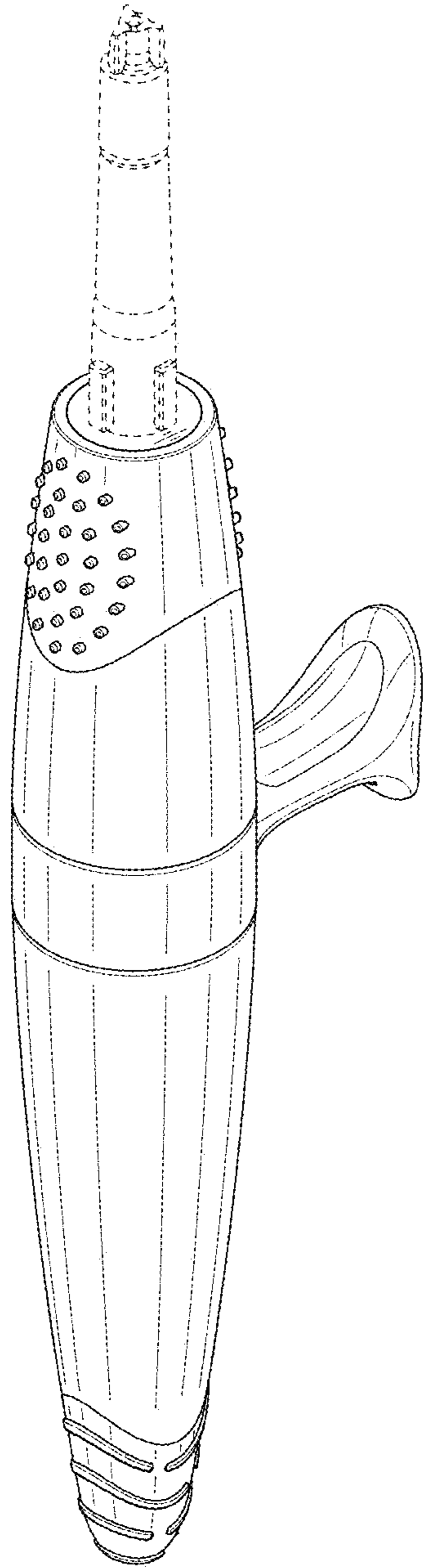


FIG. 9

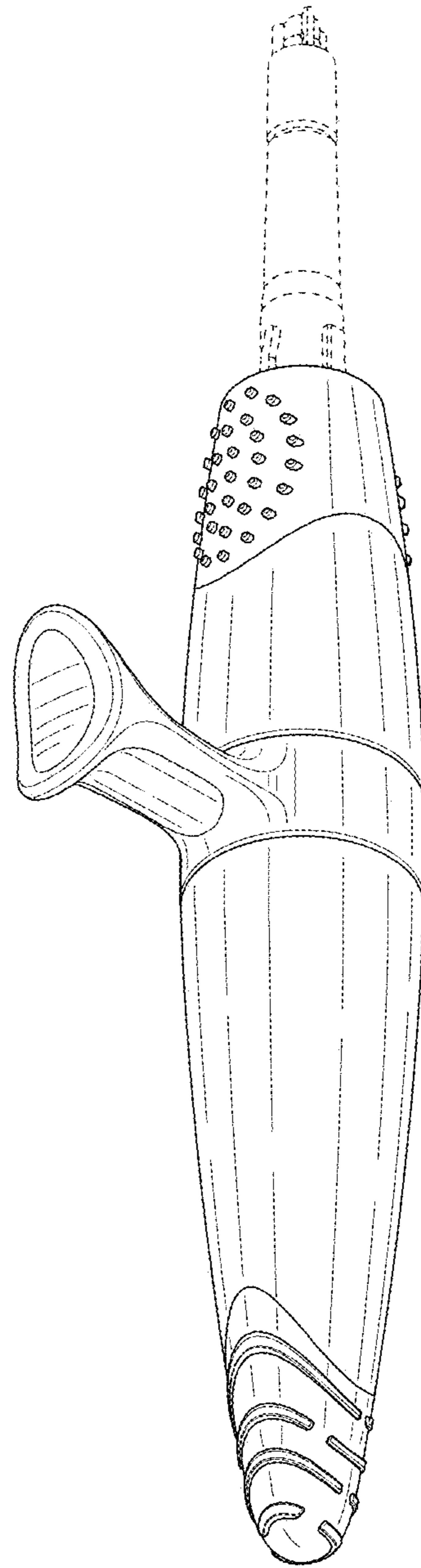


FIG. 10

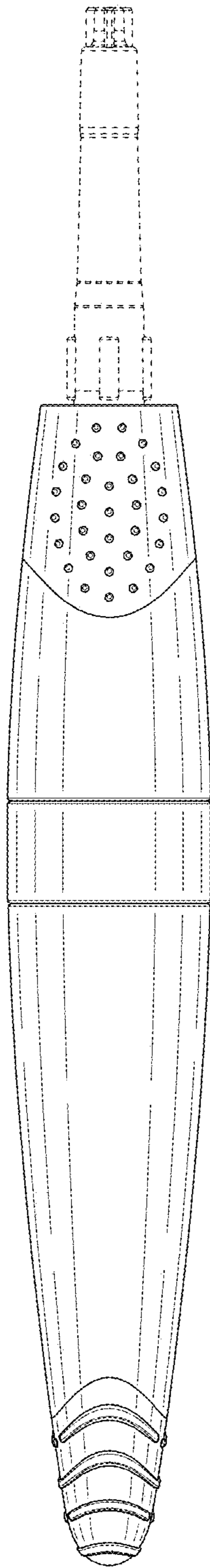


FIG. 11

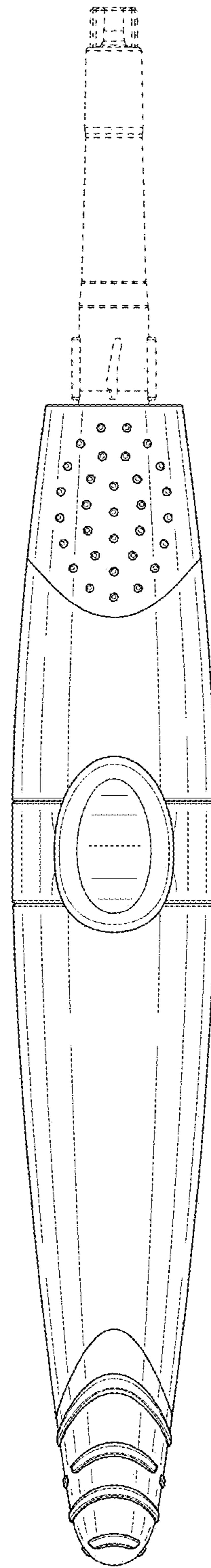


FIG. 12

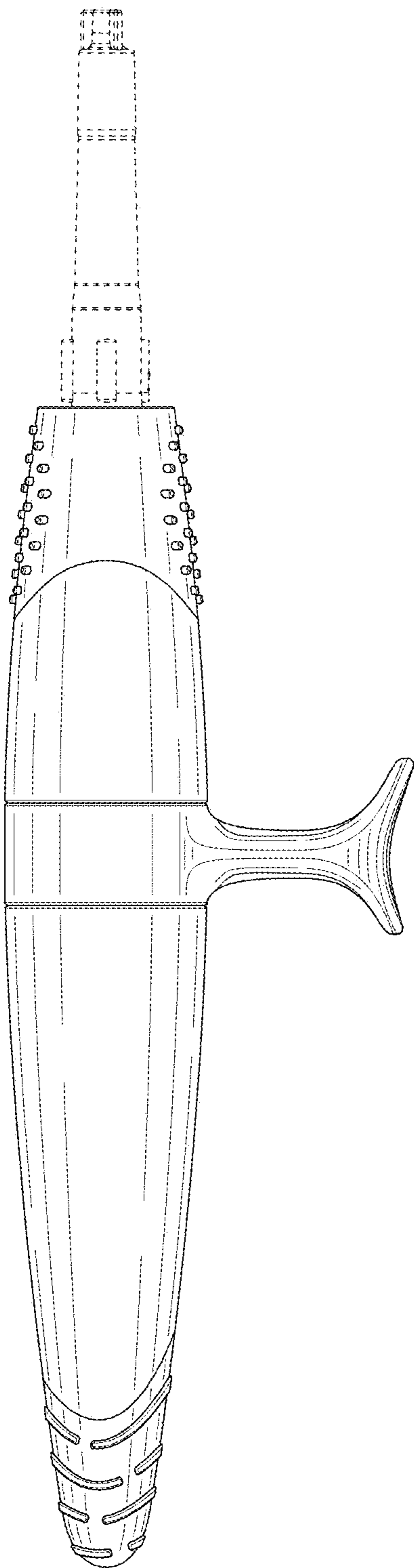


FIG. 13

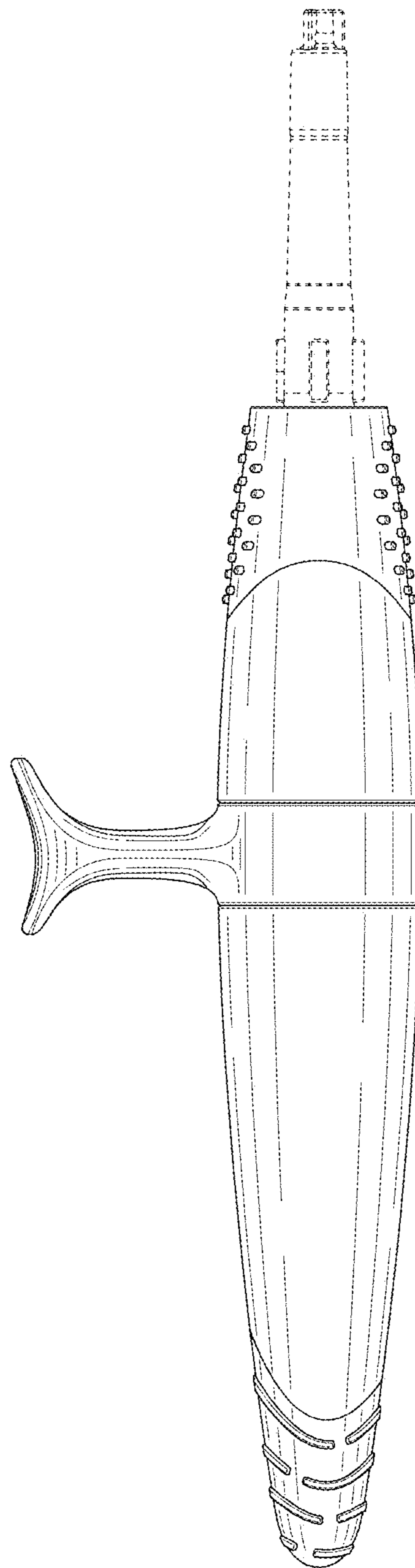


FIG. 14

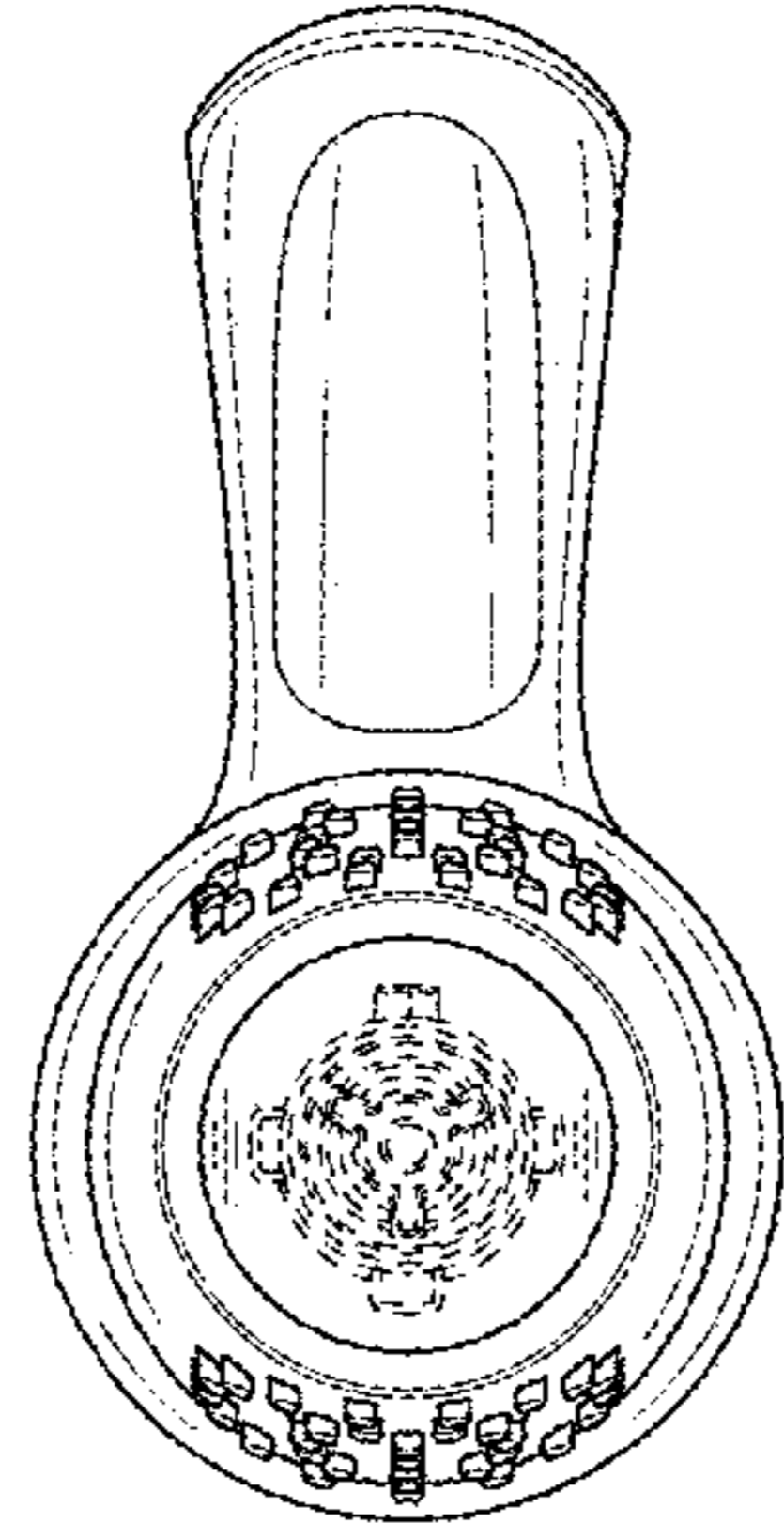


FIG. 15

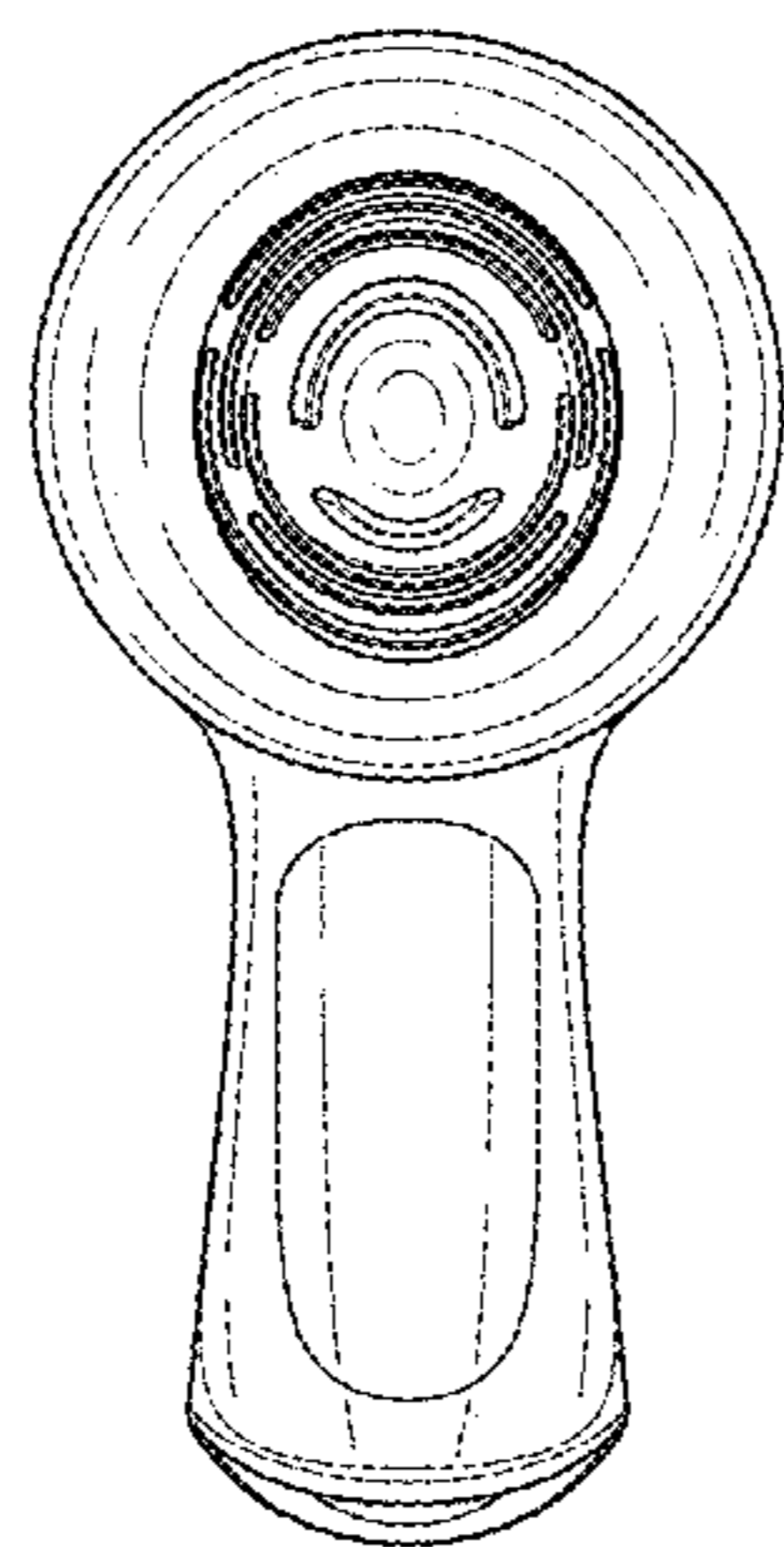


FIG. 16