



US00D974764S

(12) **United States Design Patent** (10) **Patent No.:** **US D974,764 S**
Lee et al. (45) **Date of Patent:** **** Jan. 10, 2023**

(54) **HAIR STYLER**

(71) Applicant: **UNIX ELECTRONICS CO., LTD.**,
Gimpo-si (KR)

(72) Inventors: **Chung Gu Lee**, Seoul (KR); **Han Jo Lee**, Seoul (KR)

(73) Assignee: **UNIX ELECTRONICS CO., LTD.**,
Gimpo-si (KR)

(**) Term: **15 Years**

(21) Appl. No.: **29/746,382**

(22) Filed: **Aug. 13, 2020**

(30) **Foreign Application Priority Data**

Feb. 24, 2020 (KR) 30-2020-0008121

(51) **LOC (14) Cl.** **04-02**

(52) **U.S. Cl.**
USPC **D4/100**

(58) **Field of Classification Search**

USPC D4/100, 102, 109, 111, 117, 127, 128,
D4/130, 132, 133, 138, 199; D28/15, 18,
D28/24

CPC A46B 2200/104; A46B 2200/1006; A46B
2200/10; A46B 15/003; A45D 20/48;
A45D 1/04; A45D 24/007; A45D 2/001;
A45D 2/002

See application file for complete search history.

(56) **References Cited**

U.S. PATENT DOCUMENTS

D432,792 S * 10/2000 Sivan D4/133
D755,527 S * 5/2016 Gulamani D4/133

D804,828 S * 12/2017 Gulamani D4/133
D817,643 S * 5/2018 Valle D4/100
10,098,433 B2 * 10/2018 Habibi A46B 13/02
D901,772 S * 11/2020 Huang D28/35
D902,603 S * 11/2020 Zhanye D28/15
D903,941 S * 12/2020 Koenemann D28/35
D916,368 S * 4/2021 Koenemann D4/133
D921,291 S * 6/2021 Zhang D4/133
D943,281 S * 2/2022 Zou D28/35
2018/0049533 A1 * 2/2018 Tang A45D 20/50

* cited by examiner

Primary Examiner — Cynthia Ramirez

Assistant Examiner — Tamara L Hahn

(74) *Attorney, Agent, or Firm* — Novick, Kim & Lee
PLLC; Jae Youn Kim

(57) **CLAIM**

The ornamental design for a hair styler, as shown and described.

DESCRIPTION

FIG. 1 a perspective view of a hair styler showing our new design;

FIG. 2 is a front elevational view thereof;

FIG. 3 is a rear elevational view thereof;

FIG. 4 is a left side elevational view thereof;

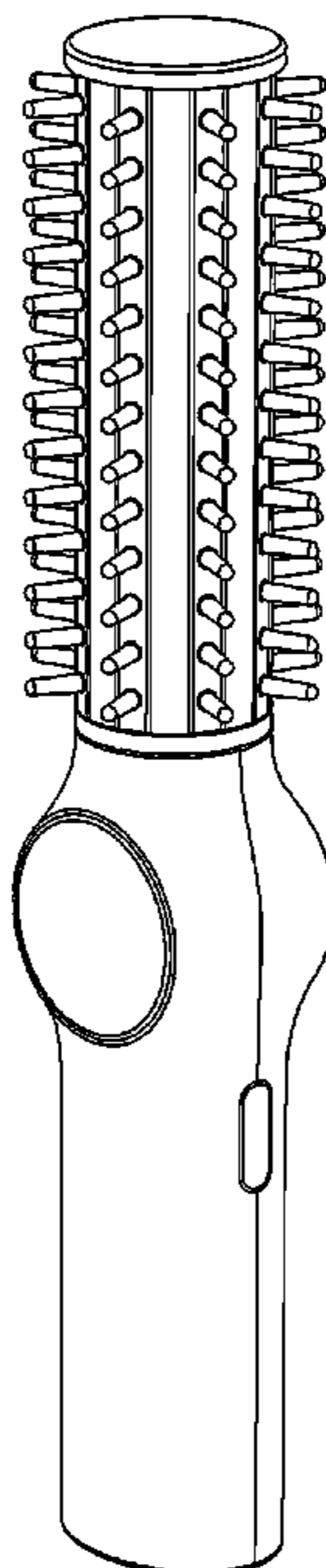
FIG. 5 is a right side elevational view thereof;

FIG. 6 is a top plan view thereof; and,

FIG. 7 is a bottom plan view thereof.

The broken lines shown in the drawings depict portions of the hair styler that form no part of the claimed design.

1 Claim, 6 Drawing Sheets



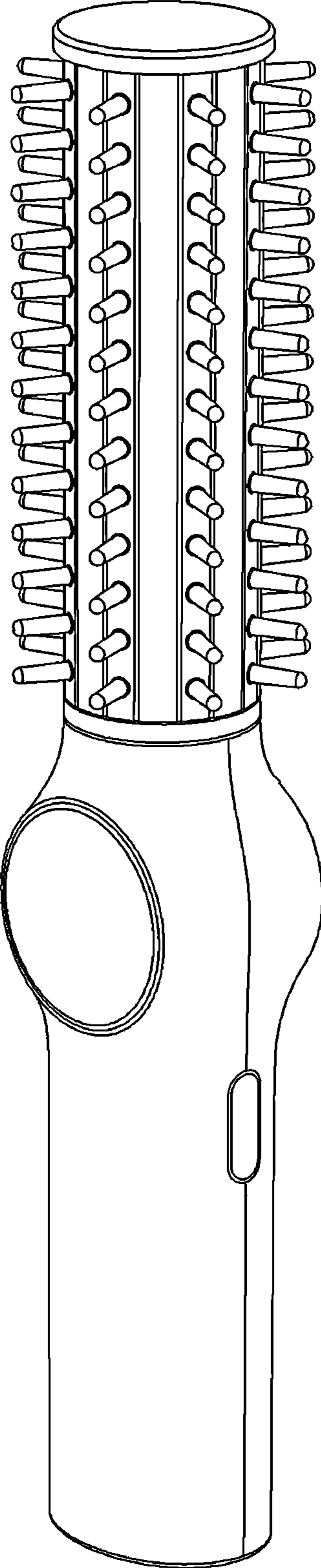


FIG. 1

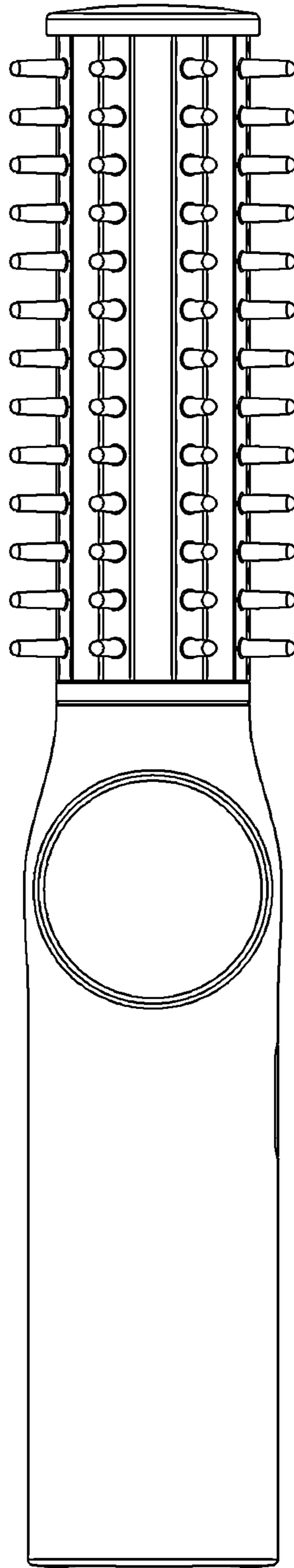


FIG. 2

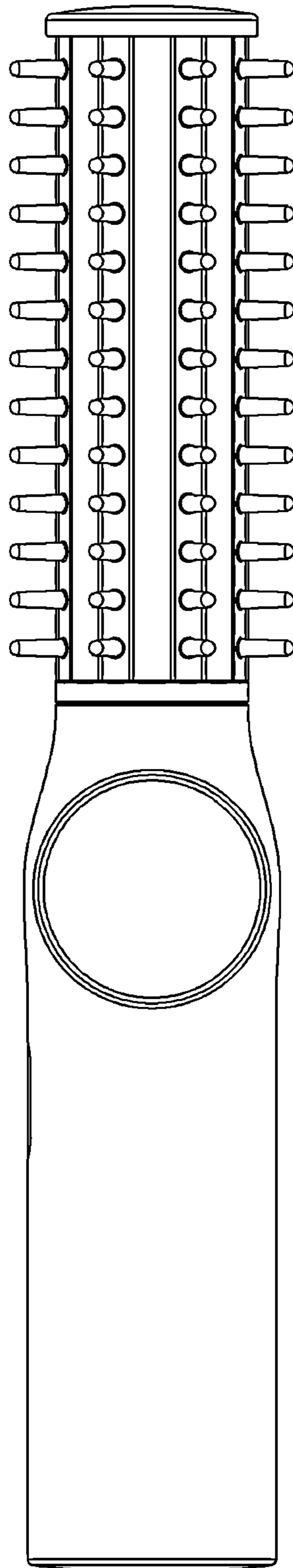


FIG. 3

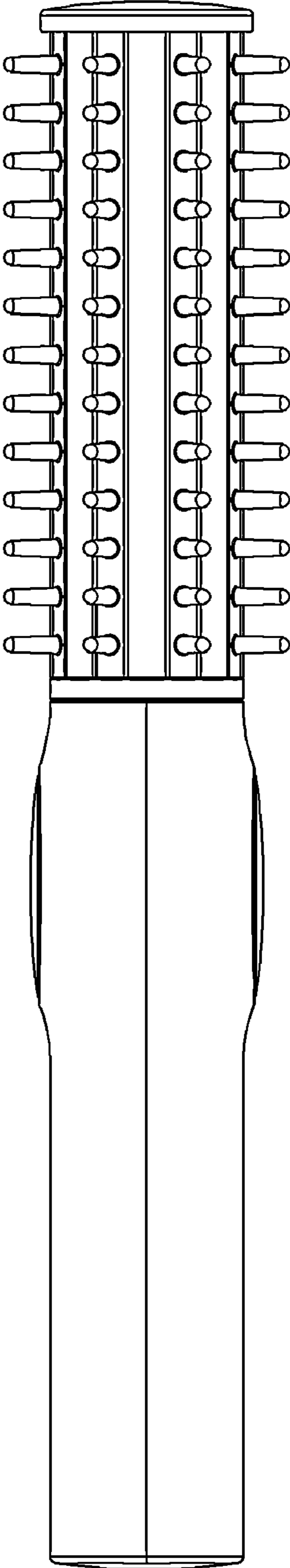


FIG. 4

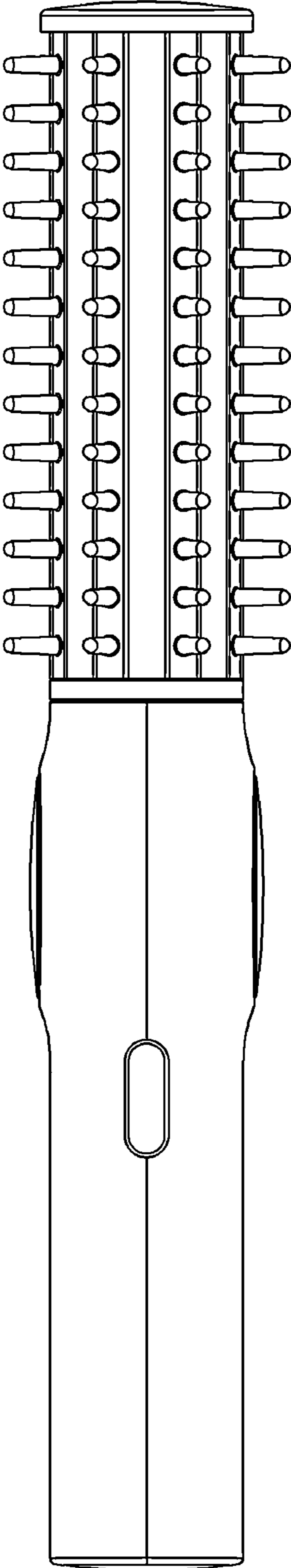


FIG. 5

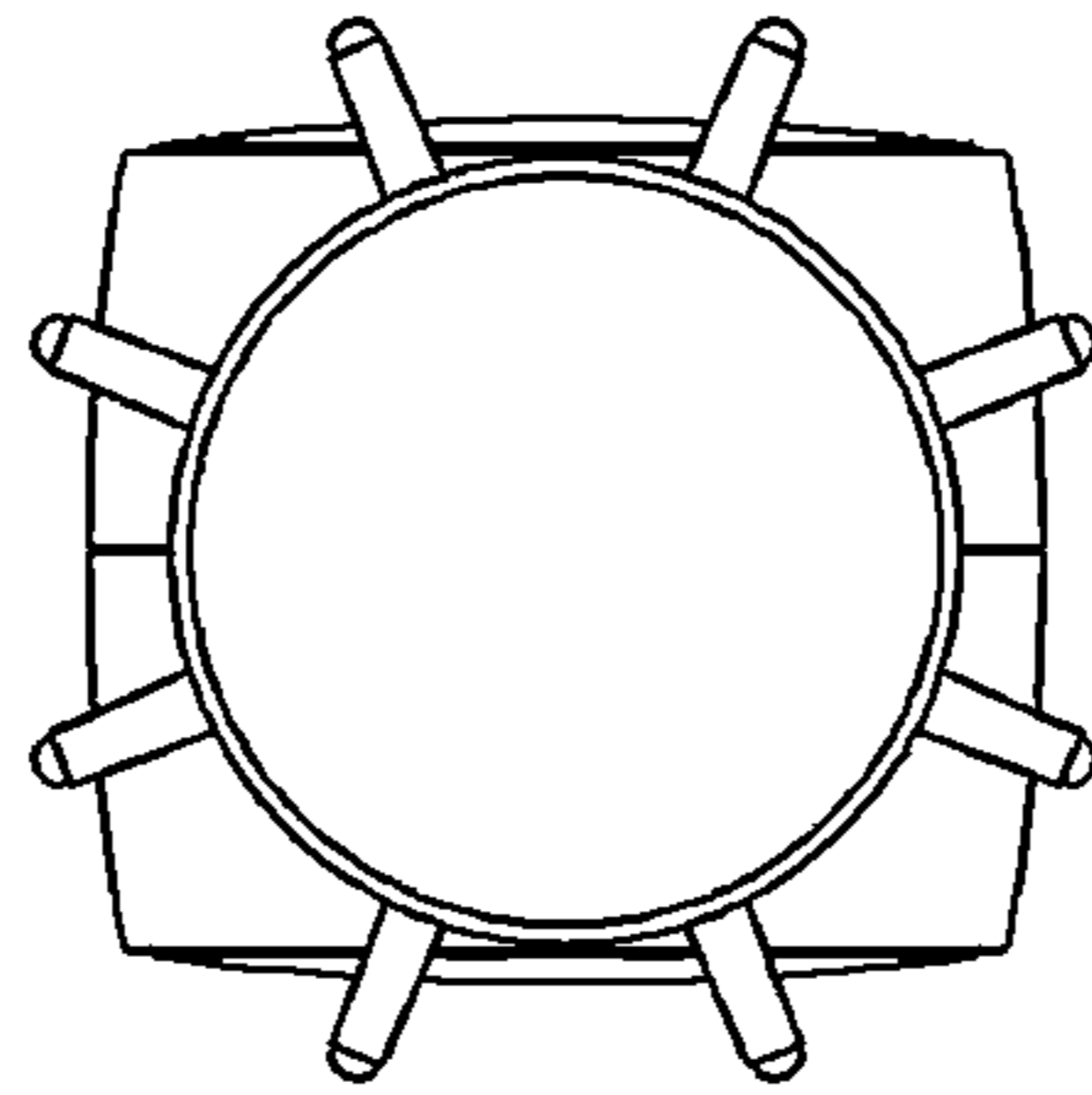


FIG. 6

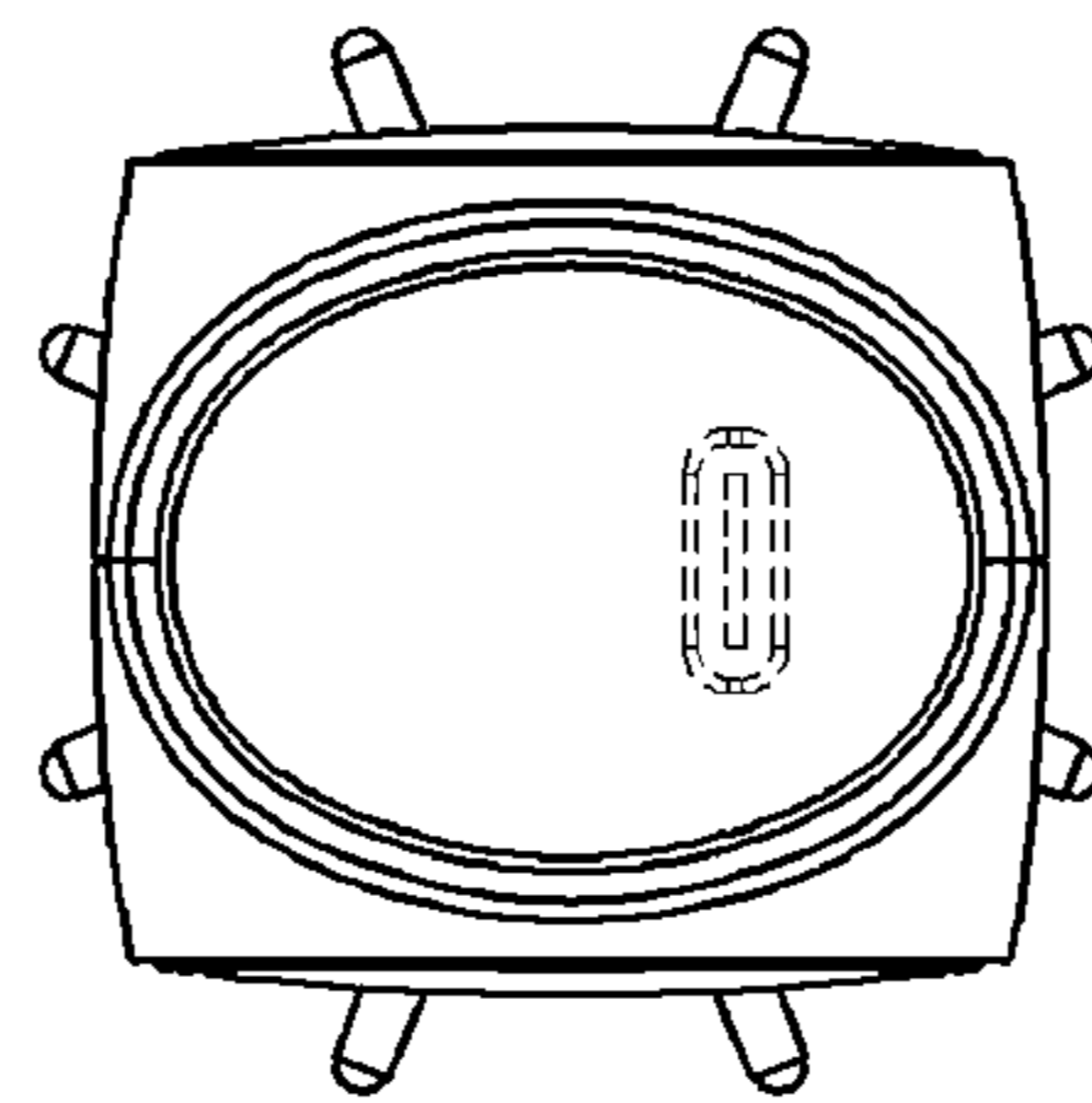


FIG. 7