



US00D974761S

(12) **United States Design Patent**
Messalem

(10) **Patent No.:** **US D974,761 S**

(45) **Date of Patent:** **** Jan. 10, 2023**

(54) **BASKET**

(71) Applicant: **Keter Luxembourg Sarl**, Niedercorn (LU)

(72) Inventor: **Eran Messalem**, Tel Aviv (IL)

(73) Assignee: **KETER LUXEMBOURG SARL**, Luxembourg (IL)

(**) Term: **15 Years**

(21) Appl. No.: **35/512,737**

(22) Filed: **Sep. 2, 2021**

(80) **Hague Agreement Data**

Int. Filing Date: **Sep. 2, 2021**

Int. Reg. No.: **DM/216611**

Int. Reg. Date: **Sep. 2, 2021**

Int. Reg. Pub. Date: **Oct. 15, 2021**

(51) **LOC (14) Cl.** **09-03**

(52) **U.S. Cl.**
USPC **D3/306**

(58) **Field of Classification Search**
USPC D3/201, 204–212, 232–239, 242–244,
D3/254–258, 263, 264, 269, 270, 271.1,
(Continued)

(56) **References Cited**

U.S. PATENT DOCUMENTS

2,916,161 A * 12/1959 Schaefer B65D 21/0215
211/126.2

D205,799 S * 9/1966 Josephsen et al. D3/312
(Continued)

FOREIGN PATENT DOCUMENTS

CN 304021669 * 2/2017
CN 304814161 * 9/2018

(Continued)

OTHER PUBLICATIONS

Y-Weave Easy Access Storage Bin—Room Essentials, available at target.com, earliest customer review date Jul. 23, 2022 [online], site visited Aug. 17, 2022, available from the internet URL: https://www.target.com/p/y-weave-easy-access-storage-bin-white-room-essentials-8482/-/A-84734976? (Year: 2022).*

(Continued)

Primary Examiner — Messina L Smith

Assistant Examiner — Jillian Mazzola

(74) *Attorney, Agent, or Firm* — Cantor Colburn LLP

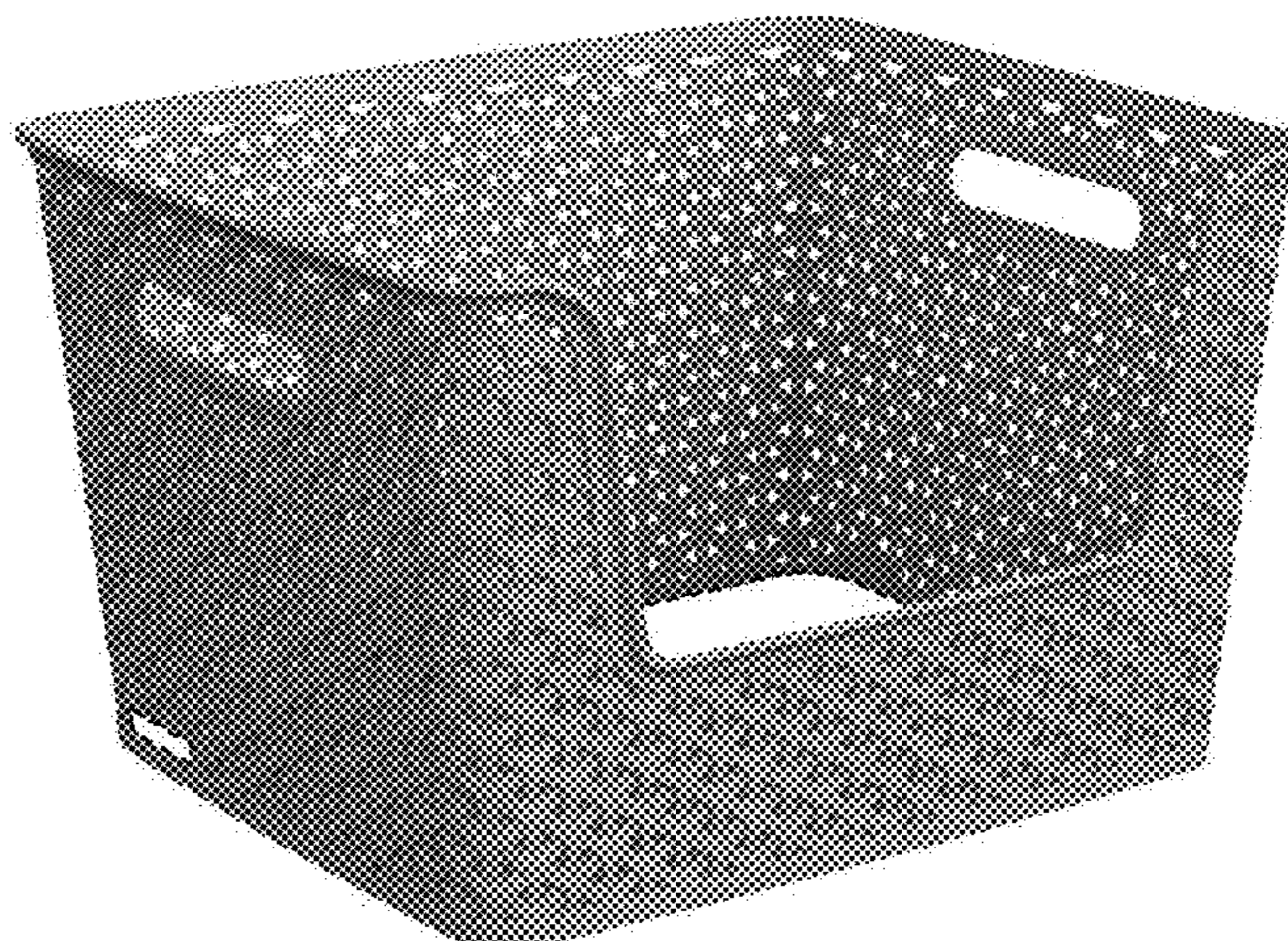
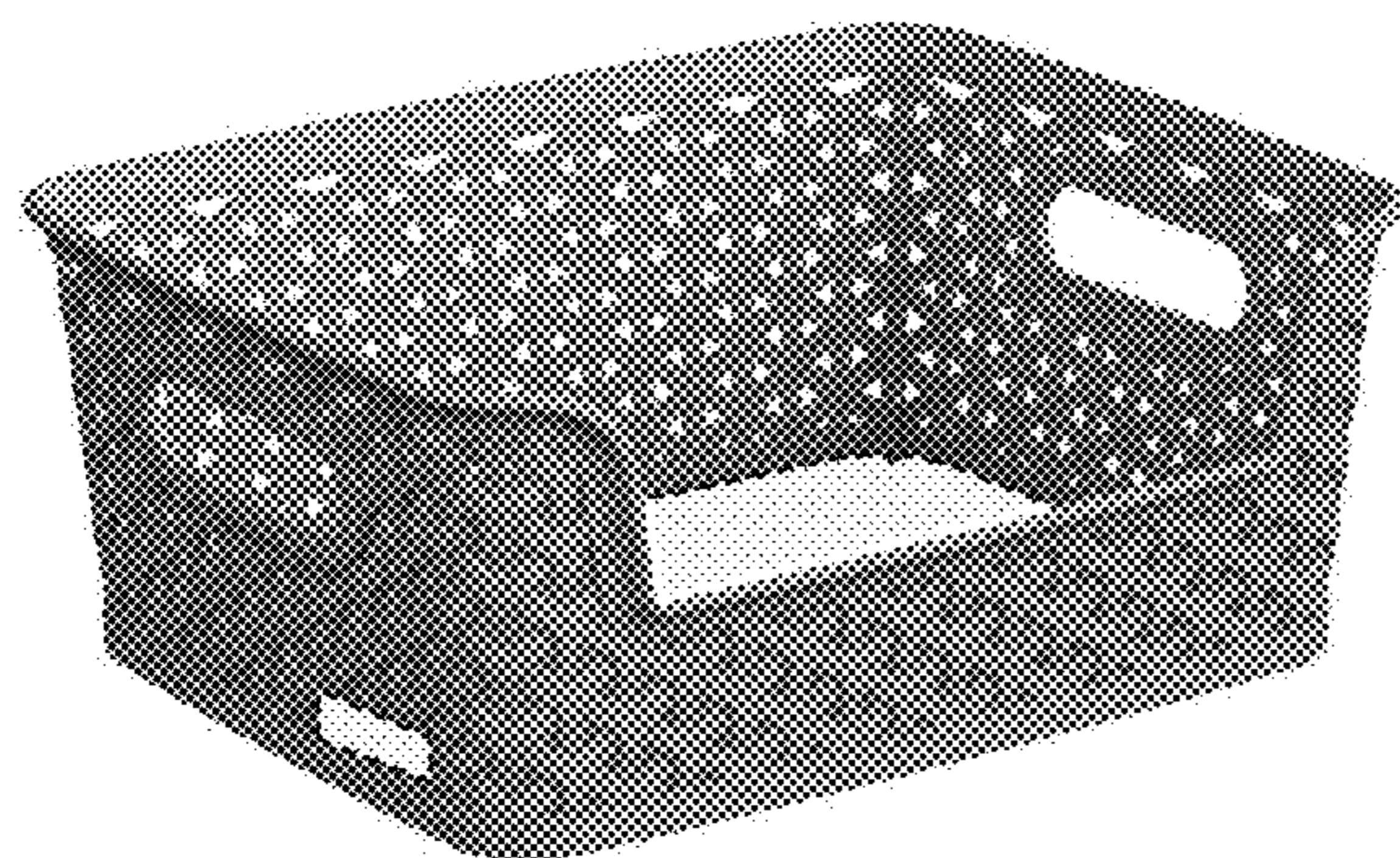
(57) **CLAIM**

The ornamental design for a basket, as shown and described.

DESCRIPTION

- 1. Basket
- 2. Basket
- 3. Basket
 - 1.1 : Isometric
 - 1.2 : Isometric
 - 1.3 : Front
 - 1.4 : Back
 - 1.5 : Left
 - 1.6 : Right
 - 1.7 : Top
 - 1.8 : Bottom
- 1.9 : Isometric
- 2.1 : Isometric
- 2.2 : Isometric
- 2.3 : Front
- 2.4 : Back
- 2.5 : Left
- 2.6 : Right
- 2.7 : Top
- 2.8 : Bottom
- 2.9 : Isometric
- 3.1 : Isometric
- 3.2 : Isometric
- 3.3 : Front
- 3.4 : Back
- 3.5 : Left

(Continued)



- 3.6 : Right
- 3.7 : Top
- 3.8 : Bottom
- 3.9 : Isometric

The features colored in light grey and delineated by means of broken lines are not part of the claimed design.

1 Claim, 27 Drawing Sheets

(58) **Field of Classification Search**

USPC ... D3/271.2, 271.3, 273, 289–296, 298, 299, D3/301–316, 901, 903; D7/601–604, D7/609, 619.1, 619.2, 631–633, 635, 637; D9/414, 420–423, 434, 435, 499, 600, D9/605, 614, 621, 622, 700, 701; D13/108; D14/509–511, 203.4, 203.6, D14/205; D24/224–227

CPC A45D 29/20; A45D 44/18; A45F 3/48; A45C 11/00; A45C 11/005; A45C 11/008; A45C 11/04; A45C 11/043; A45C 11/046; A45C 11/08; A45C 11/14; A45C 11/182; A45C 11/24; A45C 11/26; A45C 11/32; A45C 11/321; A45C 11/34; A45C 11/36; A45C 2011/001; A45C 2011/002; A45C 2011/003; A45C 2011/006; A45C 2011/007; A45C 2011/188; A45C 2011/322; A45C 2011/323; A45C 2011/324; A45C 2011/325; A45C 2011/326; A45C 2011/327; A45C 2011/329

See application file for complete search history.

(56) **References Cited**

U.S. PATENT DOCUMENTS

D227,191 S * 6/1973 Cape D3/312
 4,537,413 A * 8/1985 Rehrig B62B 3/14
 280/33.996
 4,760,921 A * 8/1988 Licari A47B 87/0269
 206/505
 D314,657 S * 2/1991 Box D3/314
 D336,698 S * 6/1993 Conaway D3/307

D380,880 S * 7/1997 Reid D30/118
 D419,302 S * 1/2000 Hardy D3/307
 D425,704 S * 5/2000 Zamecnik D3/307
 D431,907 S * 10/2000 Andujar D3/307
 D476,155 S * 6/2003 Post D6/705.6
 D507,108 S * 7/2005 Suero, Jr. D6/513
 D551,454 S * 9/2007 Cheng D3/306
 D552,879 S * 10/2007 Phan D3/305
 D604,769 S * 11/2009 Chen D19/90
 D679,501 S * 4/2013 Hu D3/306
 D690,514 S * 10/2013 Shamp D3/304
 D697,310 S * 1/2014 Snider D3/306
 D700,435 S * 3/2014 Gold D3/307
 D731,186 S * 6/2015 Hsu D3/304
 D759,976 S * 6/2016 Hardy D3/314
 D764,170 S * 8/2016 Bougay D3/304
 D765,978 S * 9/2016 Widner D3/314
 D766,574 S * 9/2016 Hsu D3/304
 D778,611 S * 2/2017 Shpitzer D3/304
 D807,036 S * 1/2018 Hardy D3/314
 D880,160 S * 4/2020 Hsu D3/304
 D945,888 S * 3/2022 Dai D9/737
 D949,497 S * 4/2022 Messalem D3/307
 2010/0006467 A1 * 1/2010 Joseph B65D 43/0216
 206/508

FOREIGN PATENT DOCUMENTS

CN 305840288 * 6/2020
 CN 306634147 * 6/2021

OTHER PUBLICATIONS

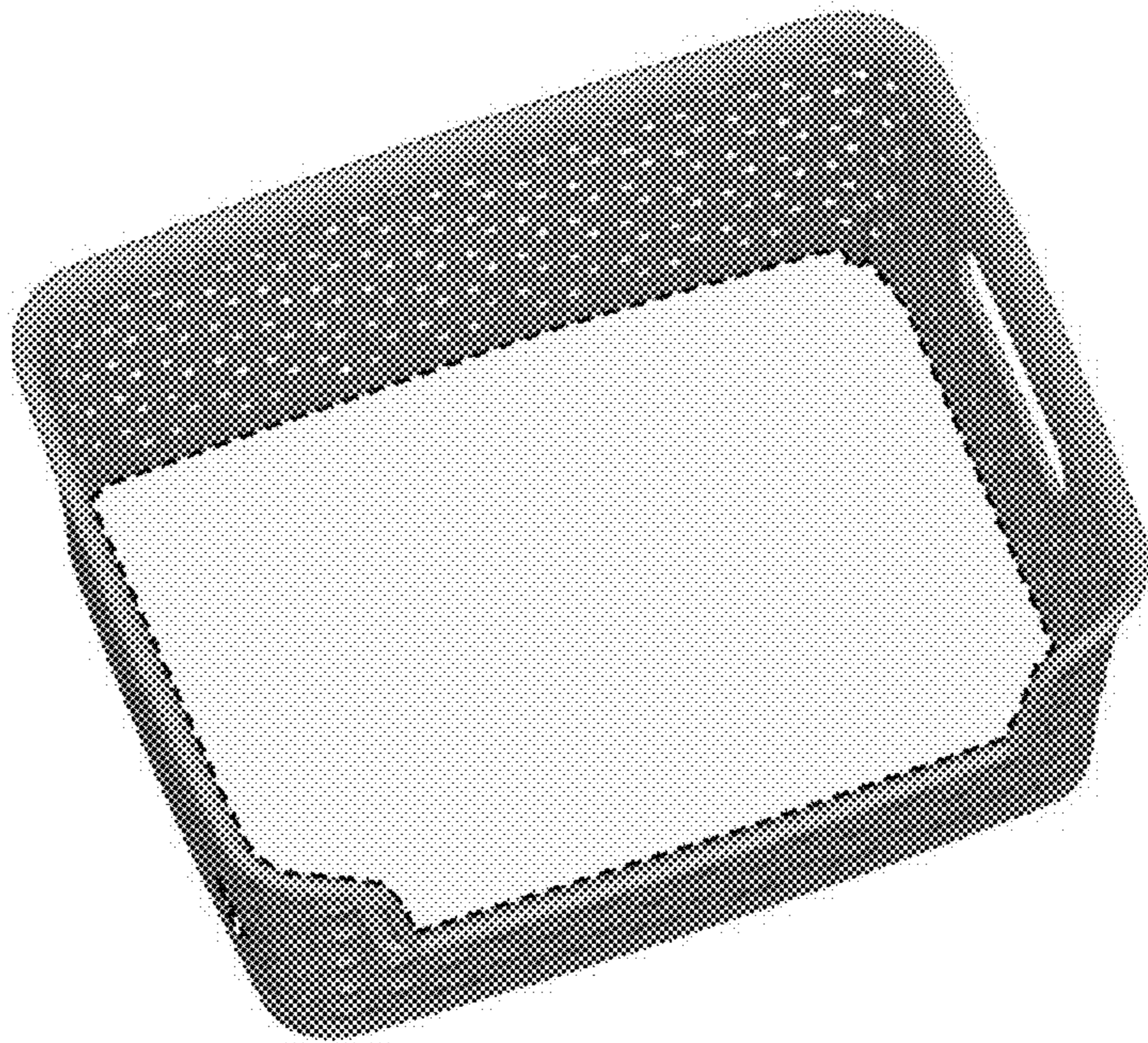
Montauk Open-Front Bin, available at [containerstore.com](https://www.containerstore.com), earliest customer review date Aug. 2016 [online], site visited Aug. 17, 2022, available from the internet URL: <https://www.containerstore.com/s/kitchen/pantry-organizers/montauk-open-front-bin/12d?productId=11001949&> (Year: 2016).*

Curver Nestable Rattan Effect Basket, available at [amazon.com](https://www.amazon.com), earliest date available Jan. 31, 2017 [online], site visited Aug. 17, 2022, available from the internet URL: <https://www.amazon.com/Curver-Nestable-Rattan-Basket-White/dp/B00AW8H0T4/> (Year: 2017).*

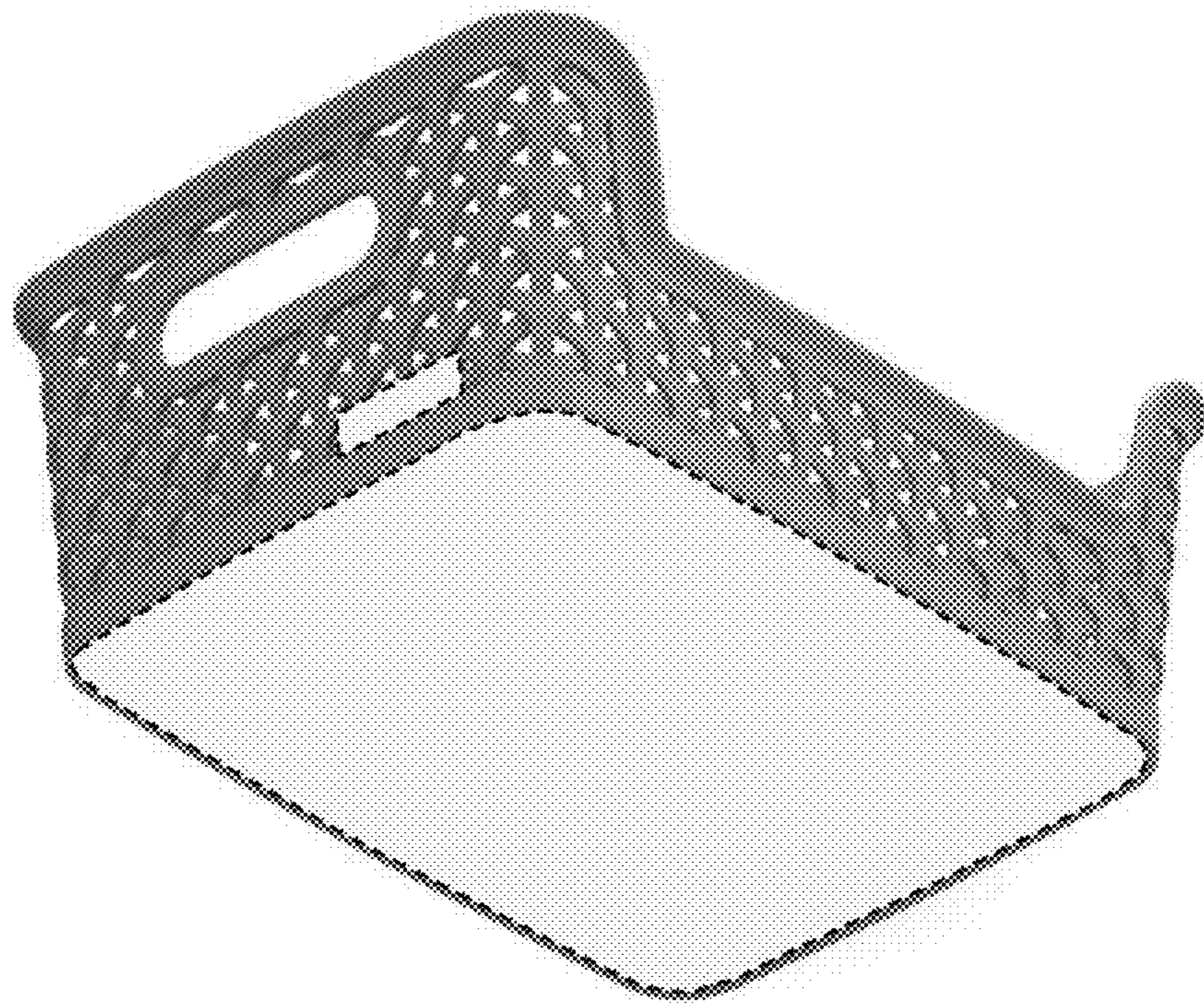
MDesign Metal Wire Household Organizer Basket, available at [target.com](https://www.target.com), earliest customer review date Nov. 2021 [online], site visited Aug. 17, 2022, available from the internet URL: <https://www.target.com/p/mdesign-metal-wire-household-organizer-basket-open-dip-front-4-pack-chrome/-/A-80830530> (Year: 2021).*

* cited by examiner

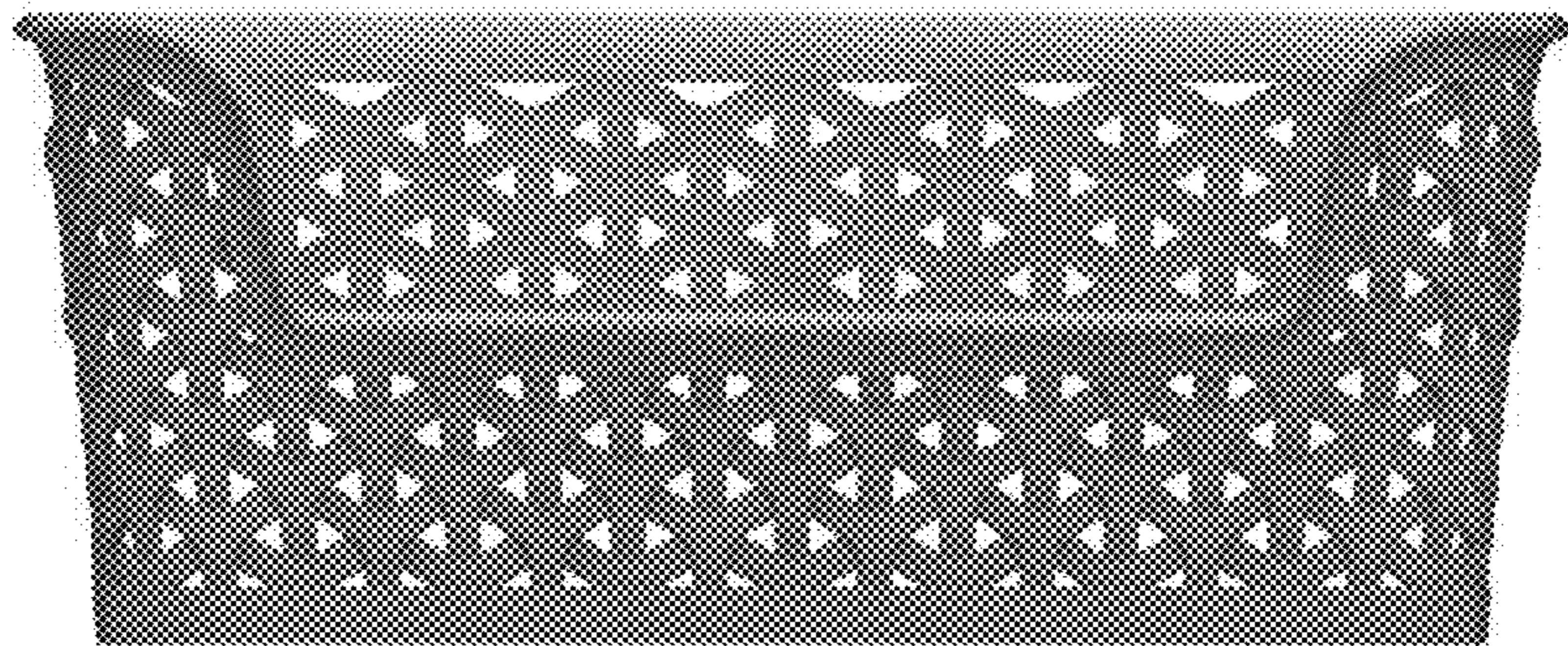
1.1



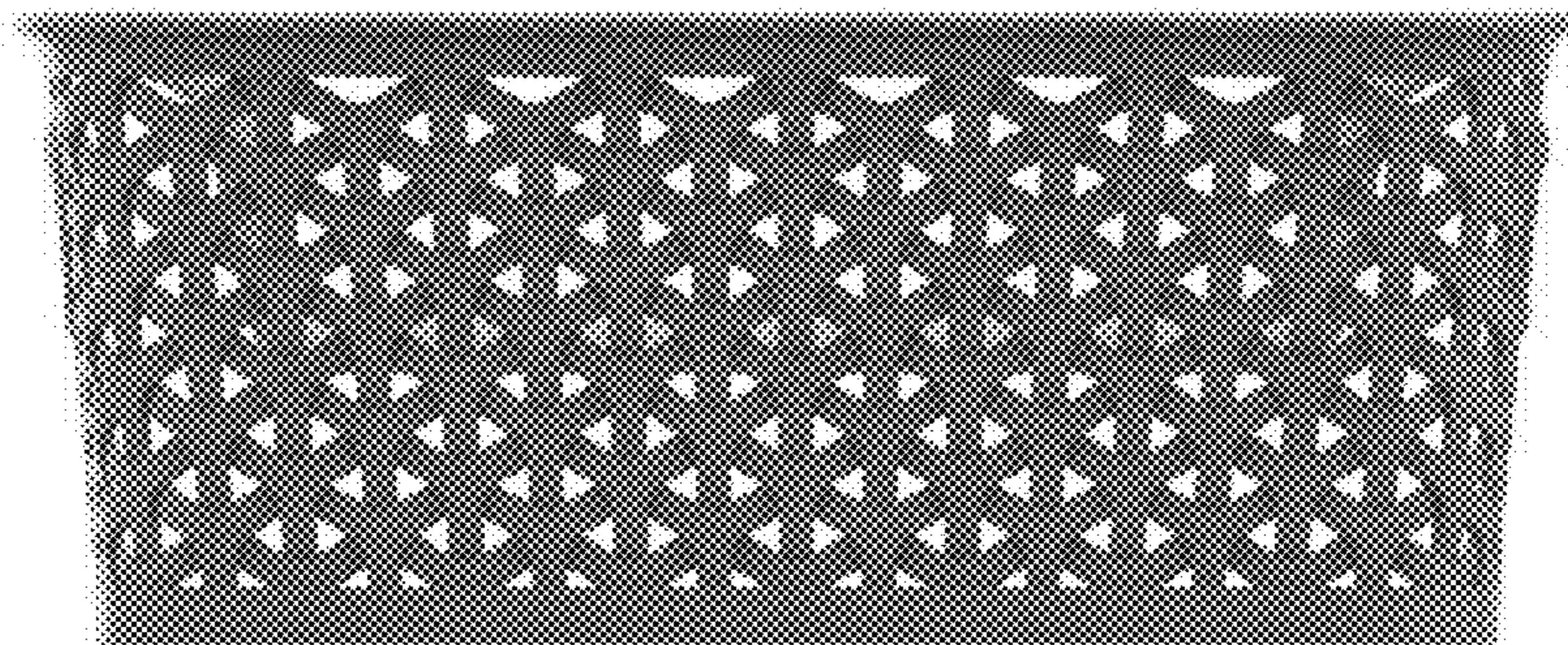
1.2



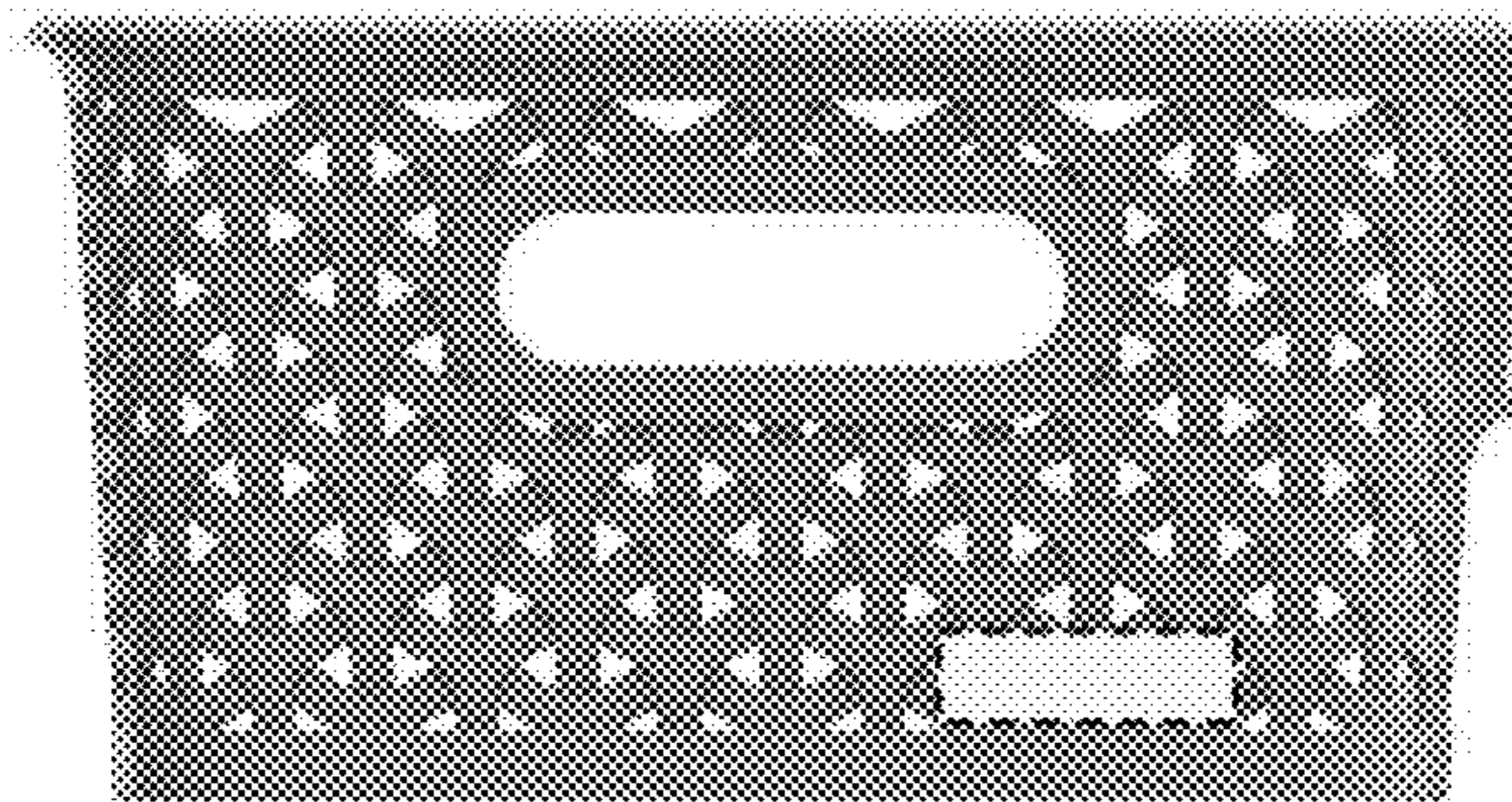
1.3



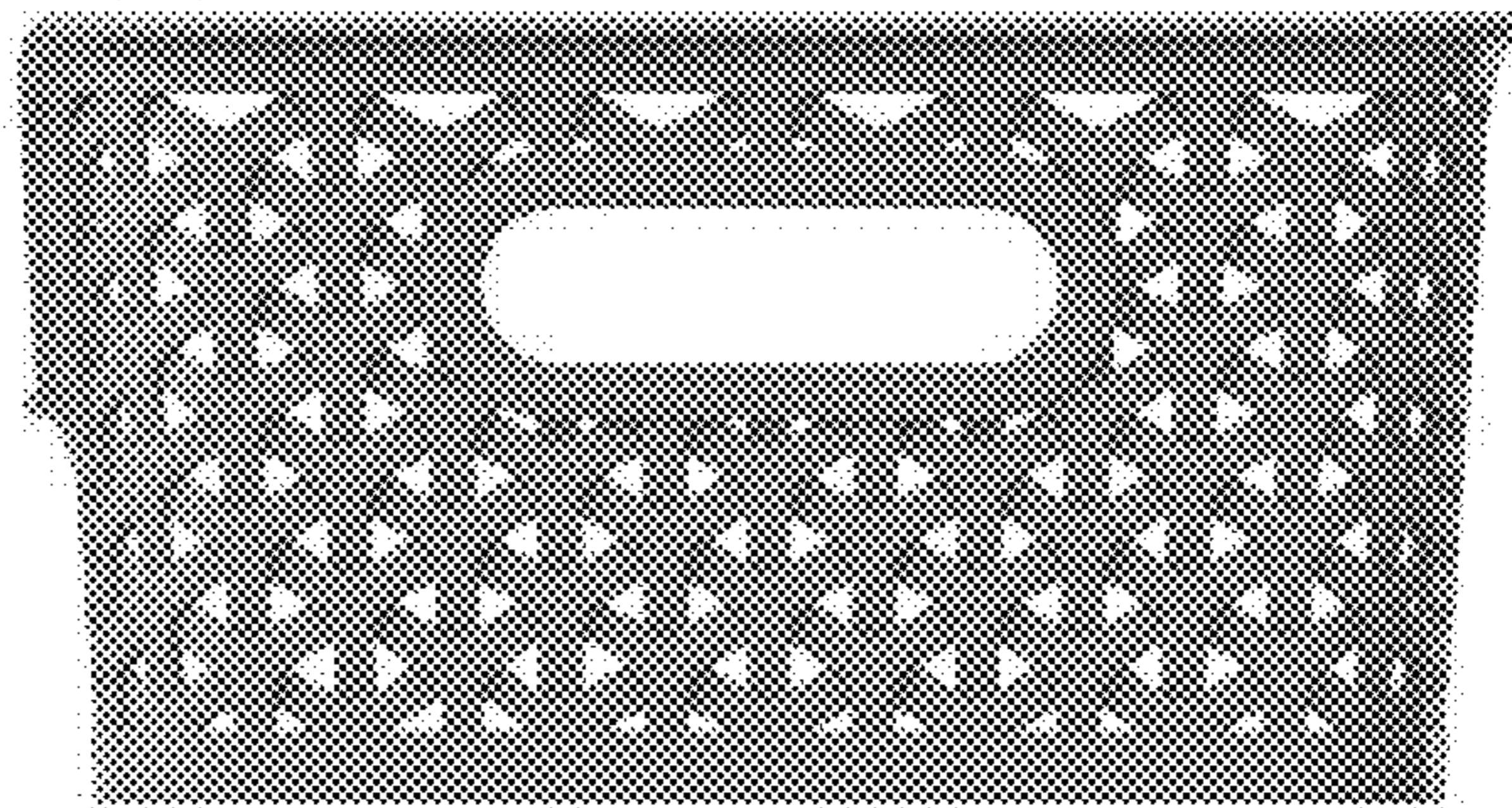
1.4



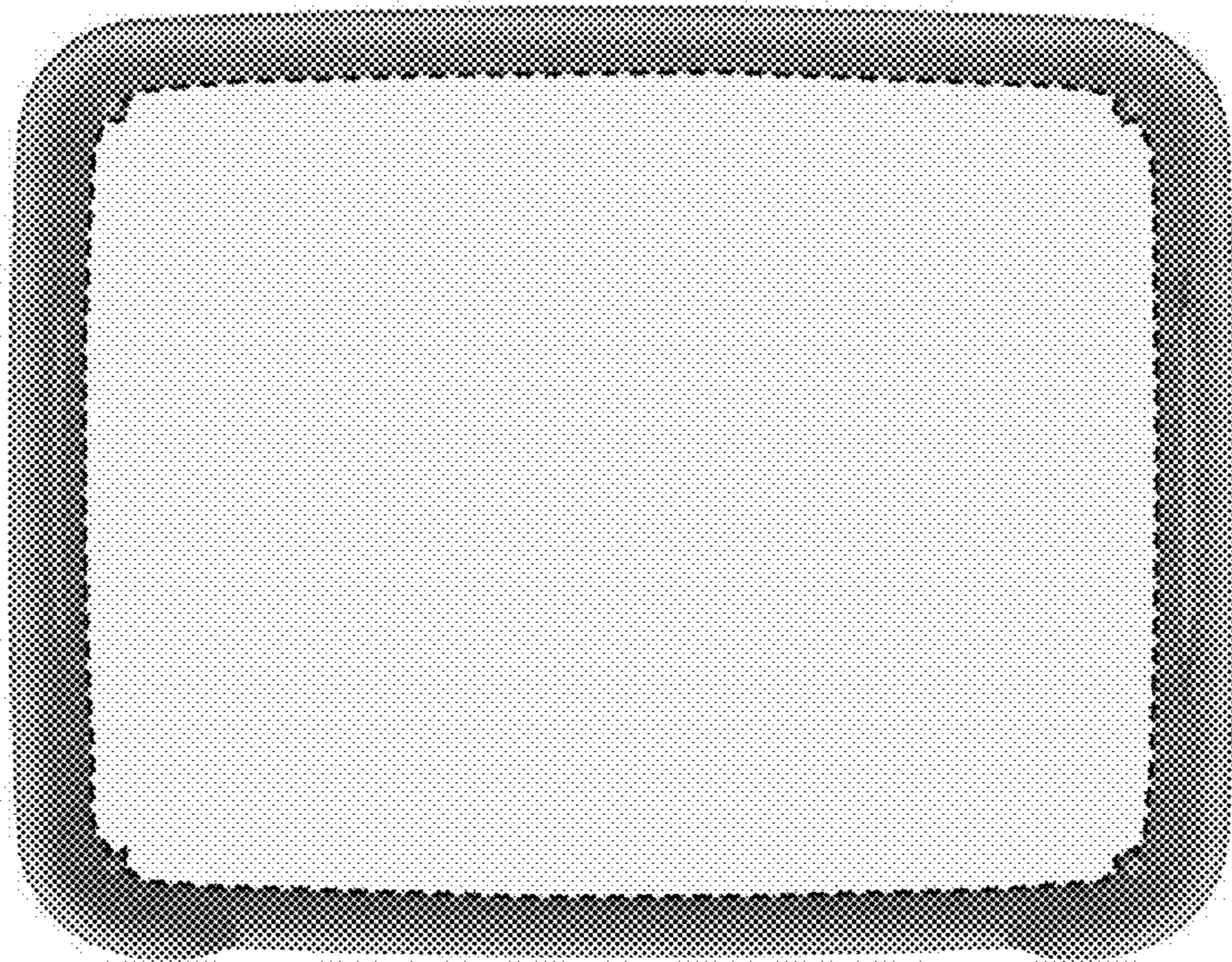
1.5



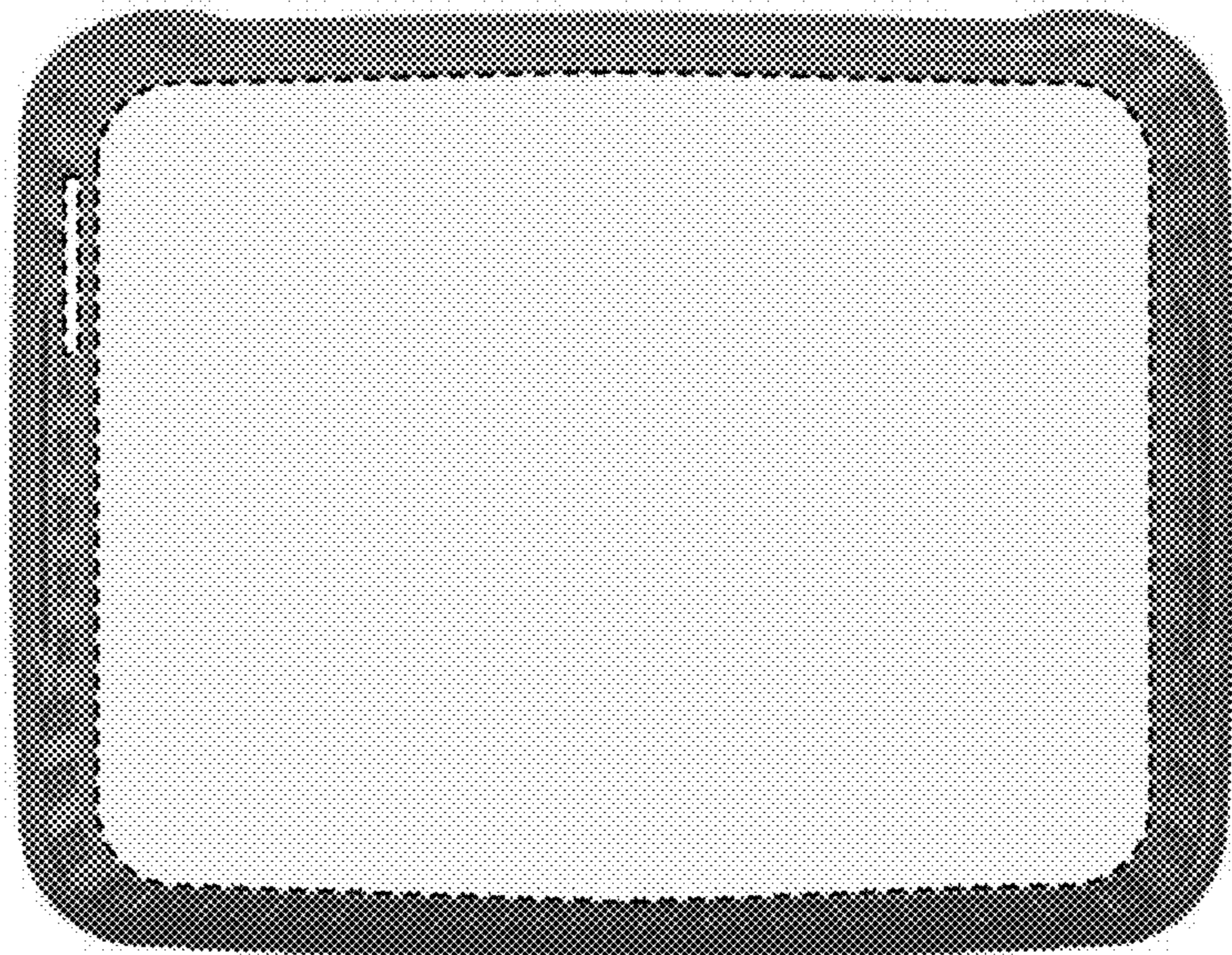
1.6



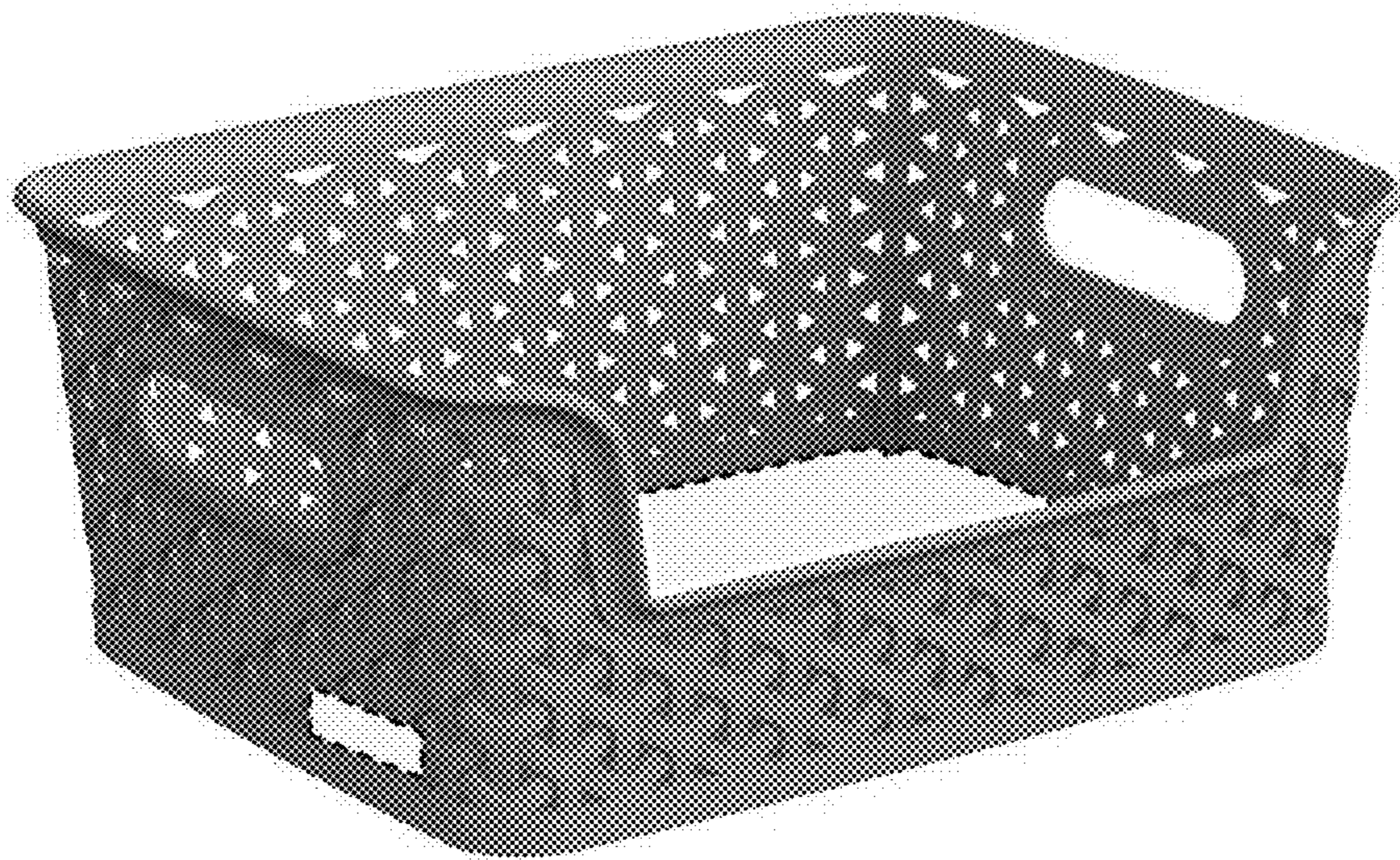
1.7



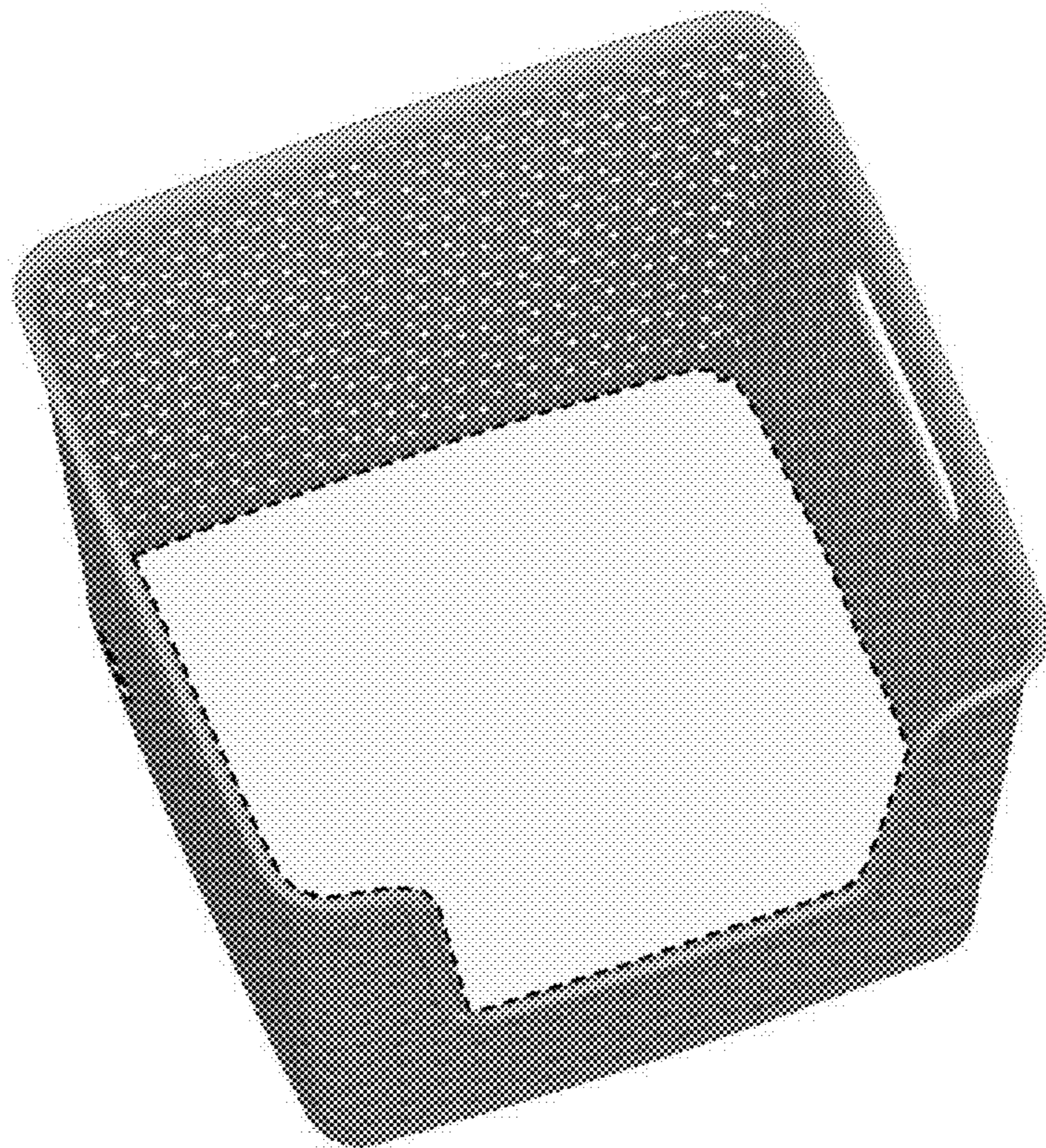
1.8



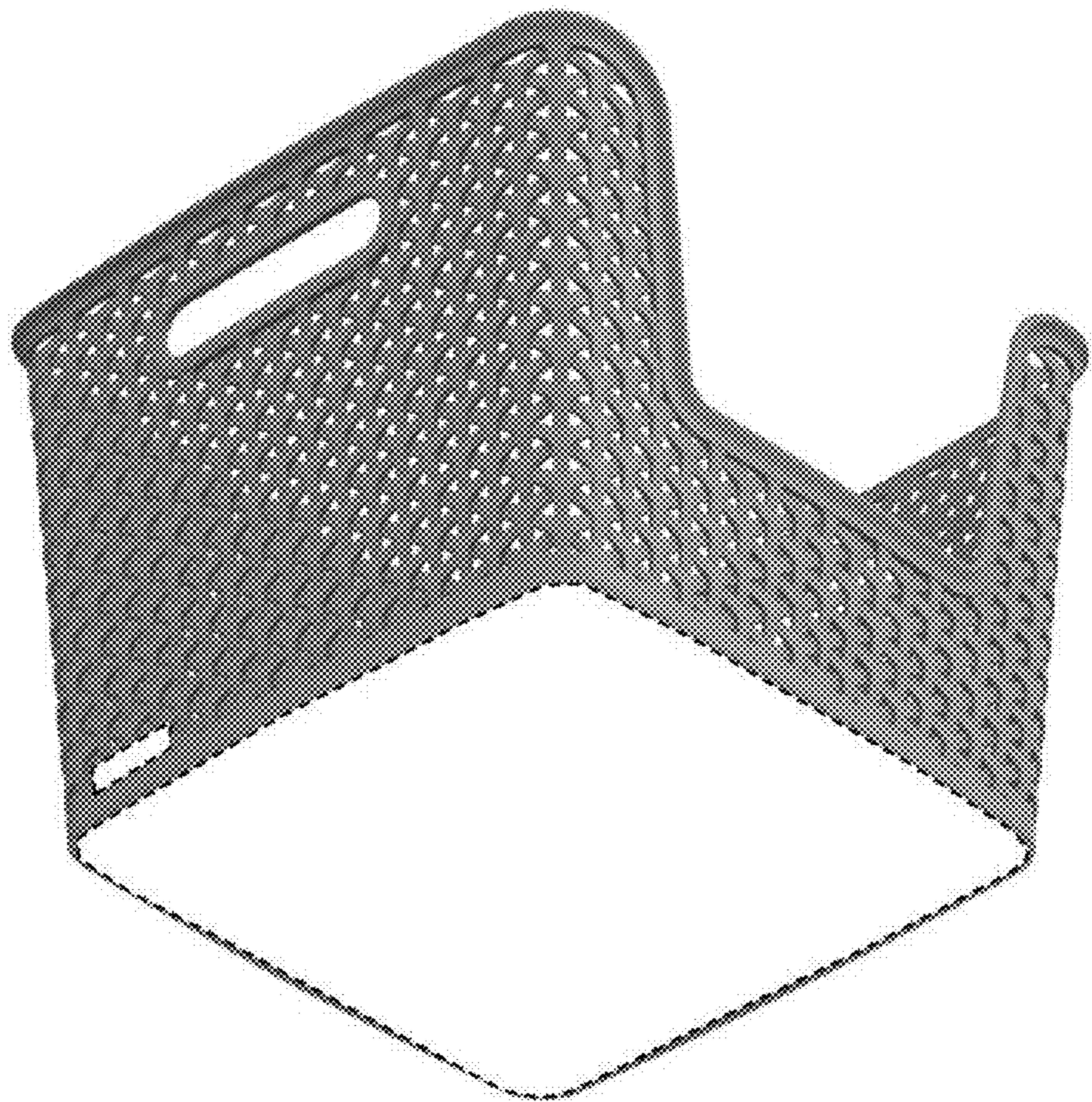
1.9



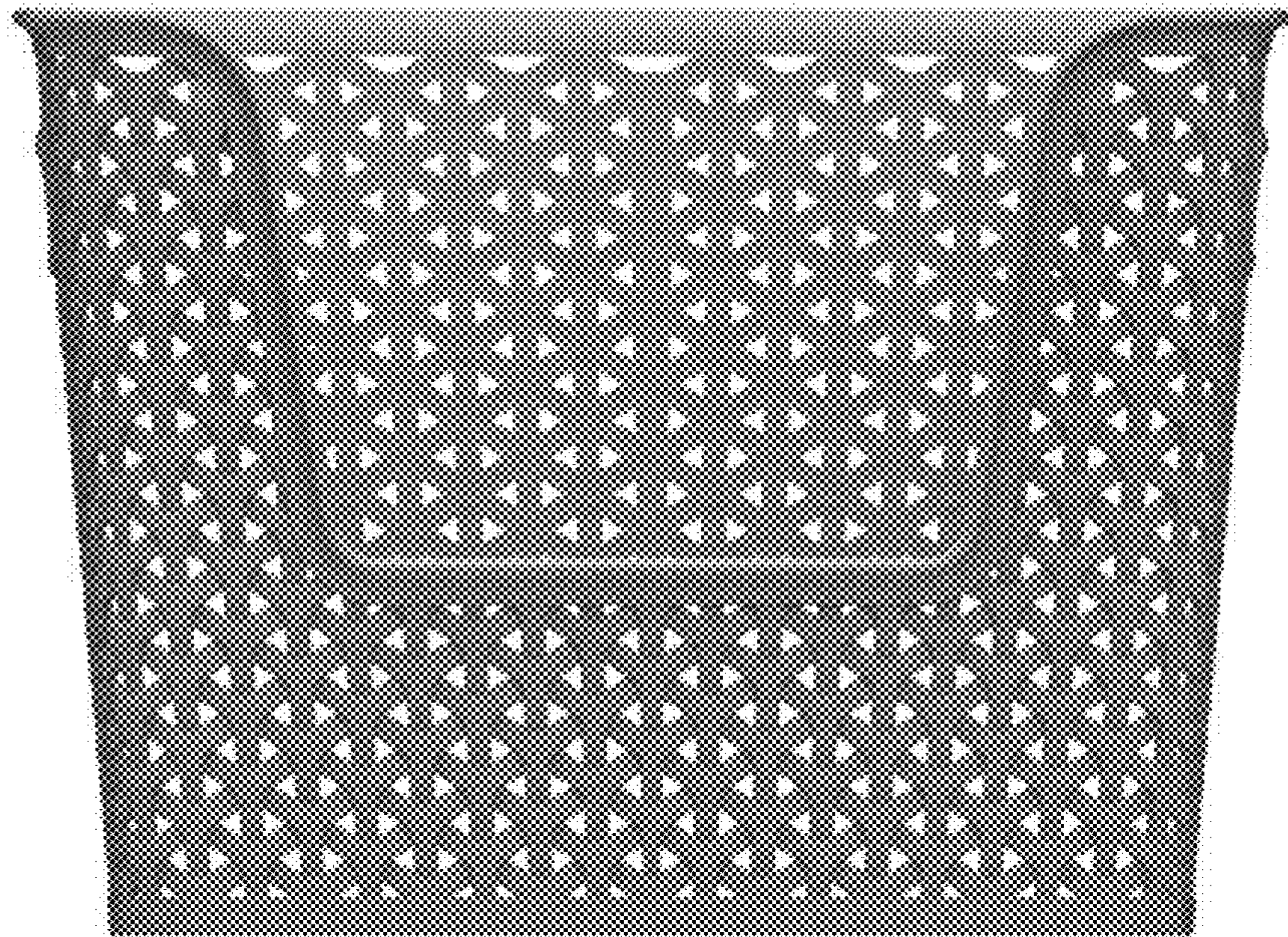
2.1



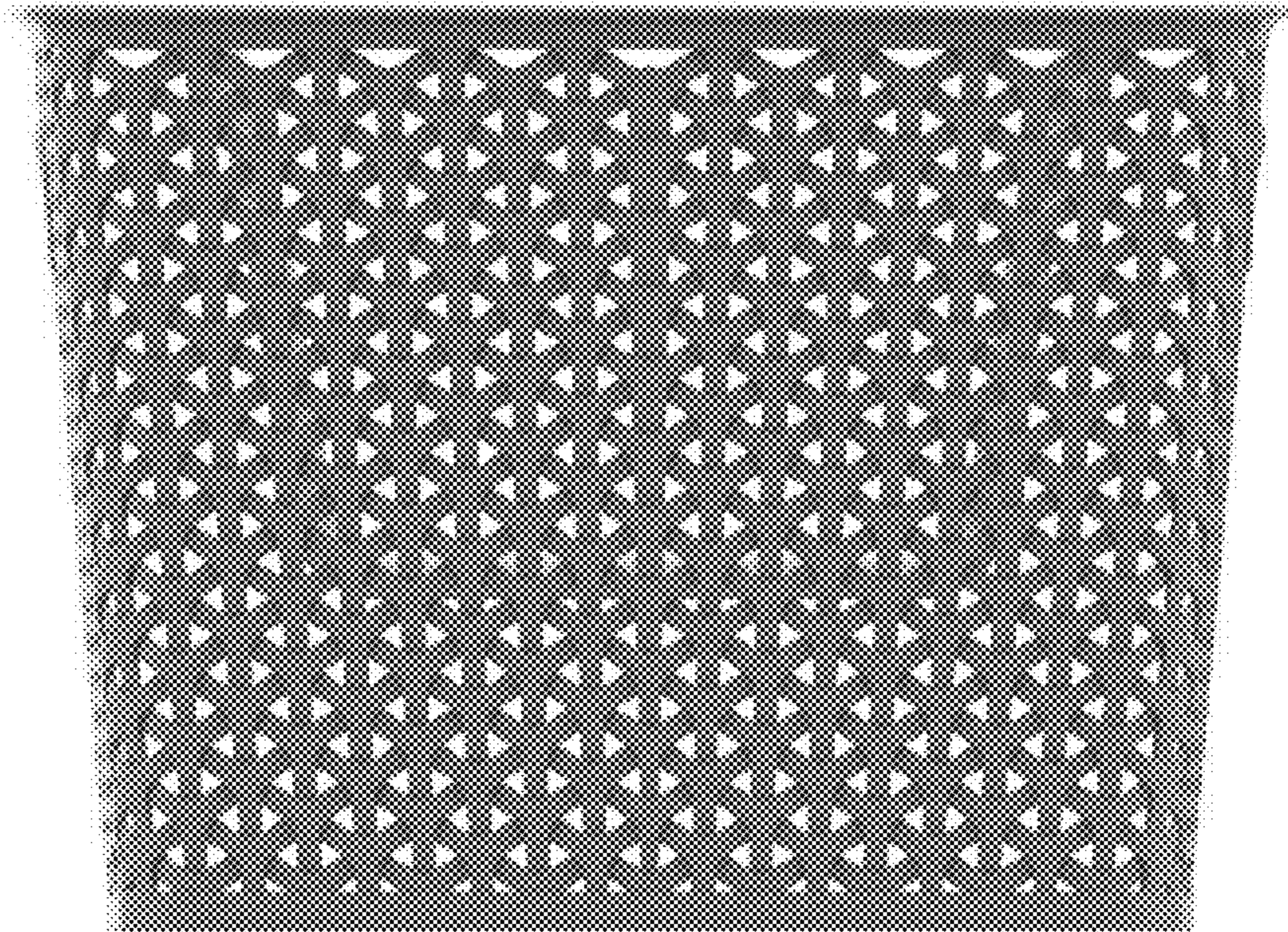
2.2



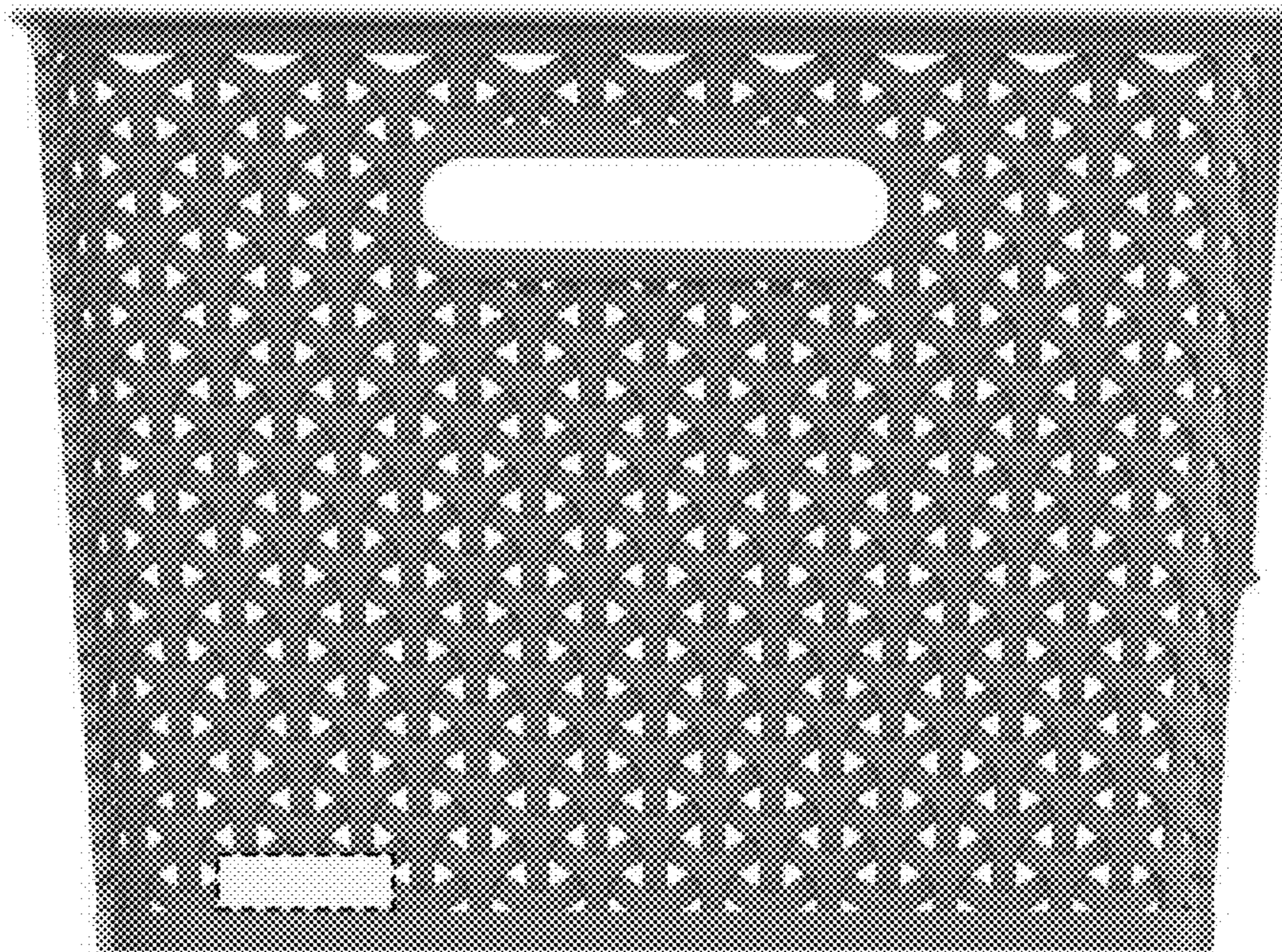
2.3



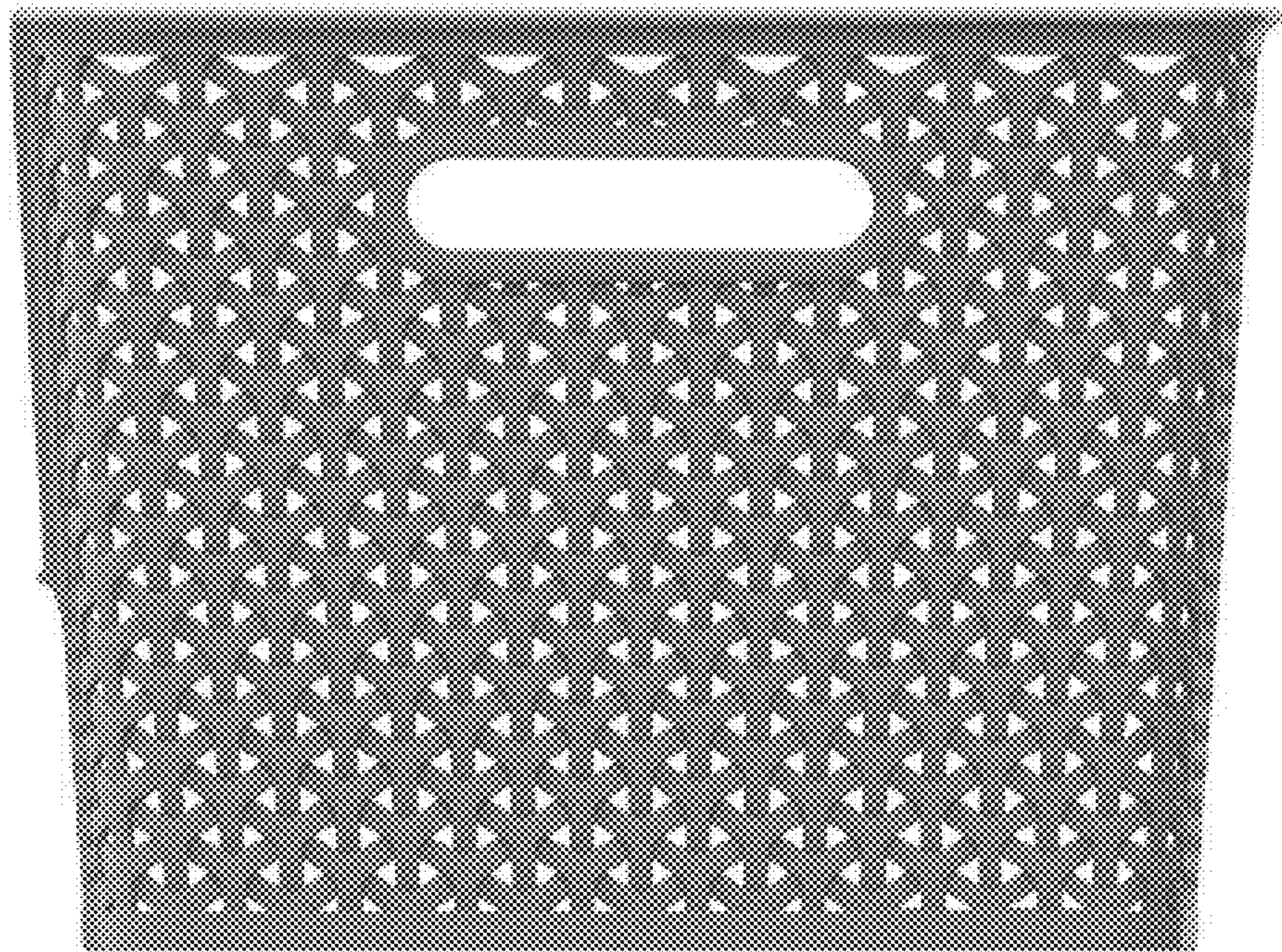
2.4



2.5



2.6



2.7



2.8



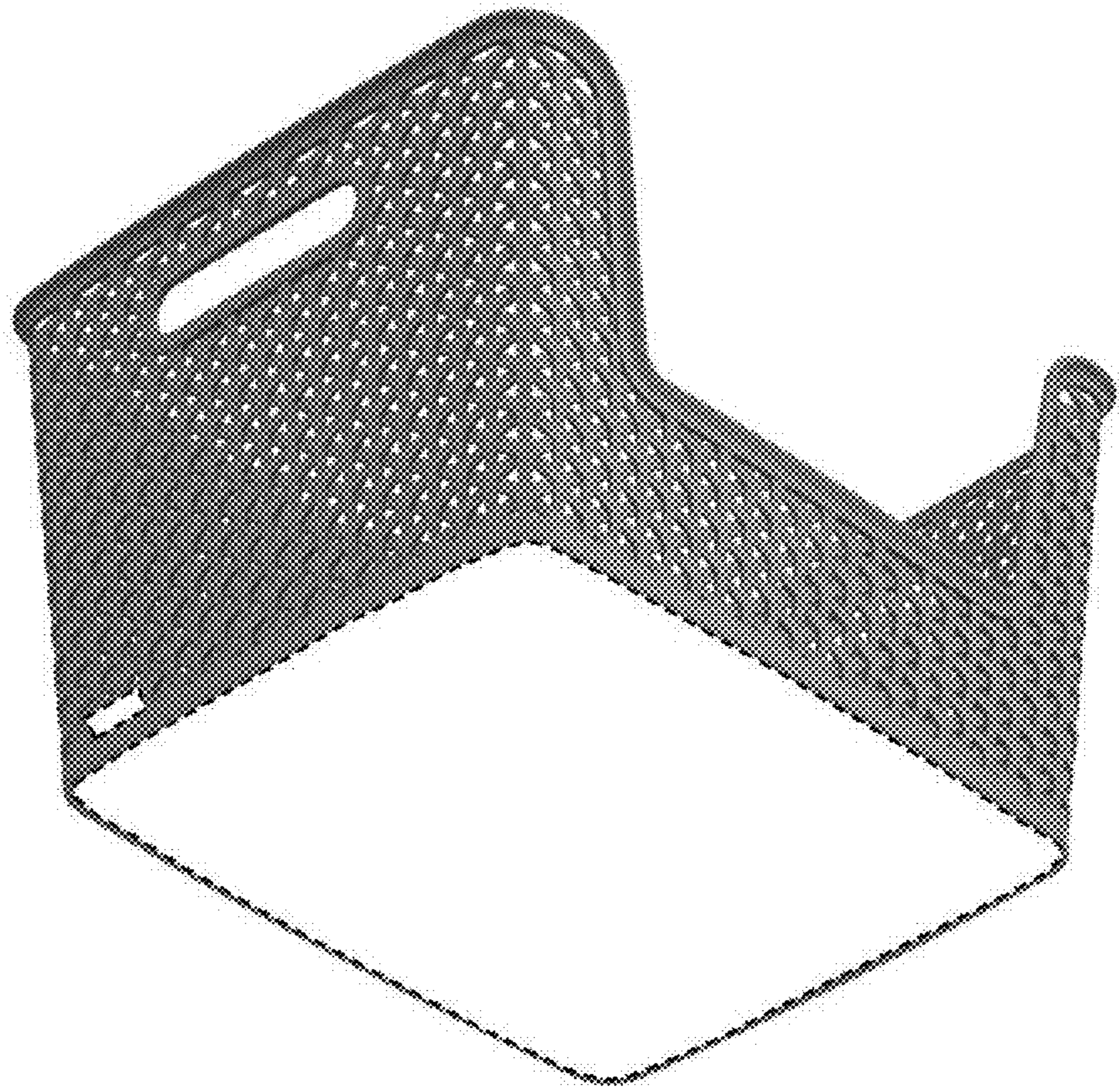
2.9



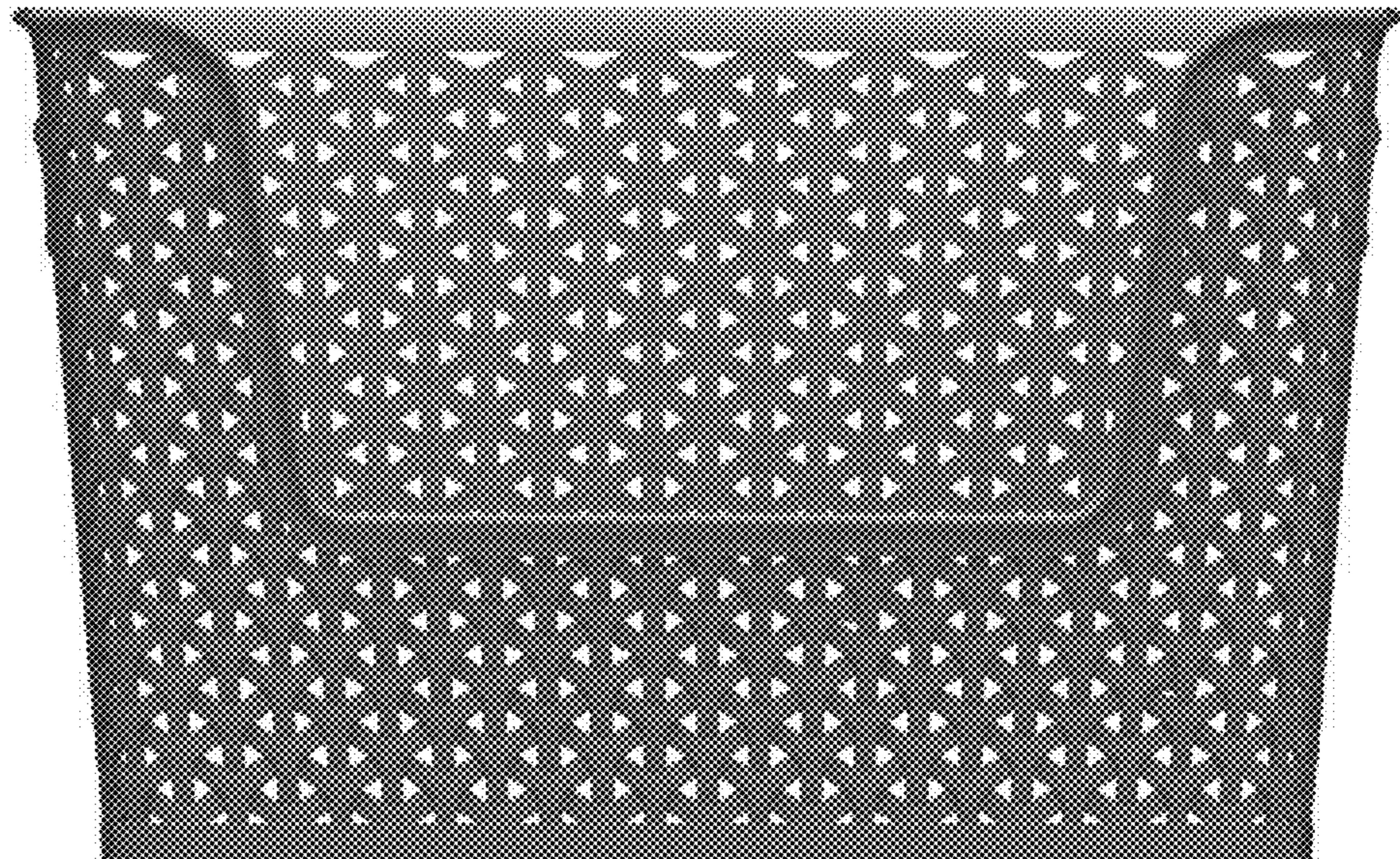
3.1



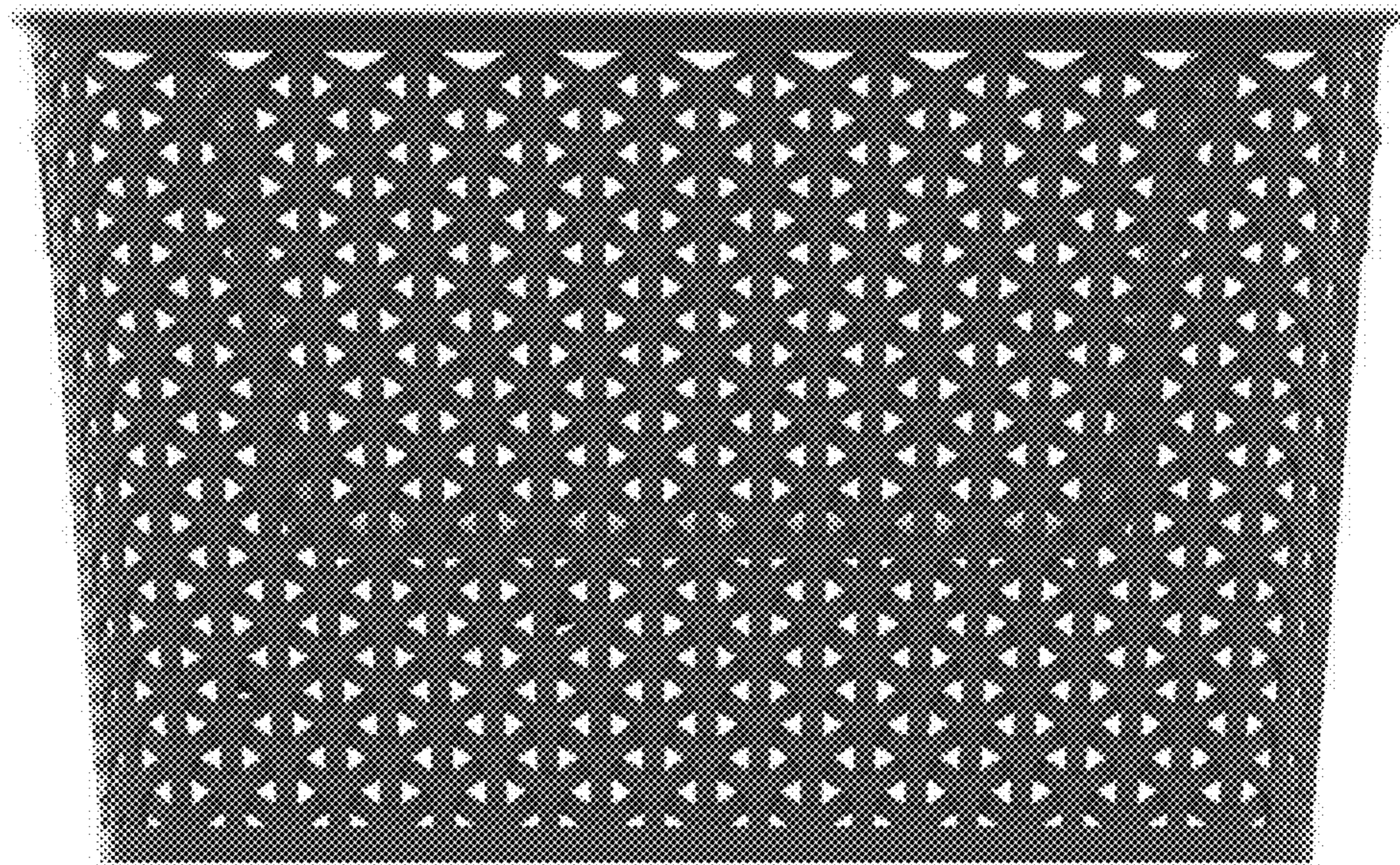
3.2



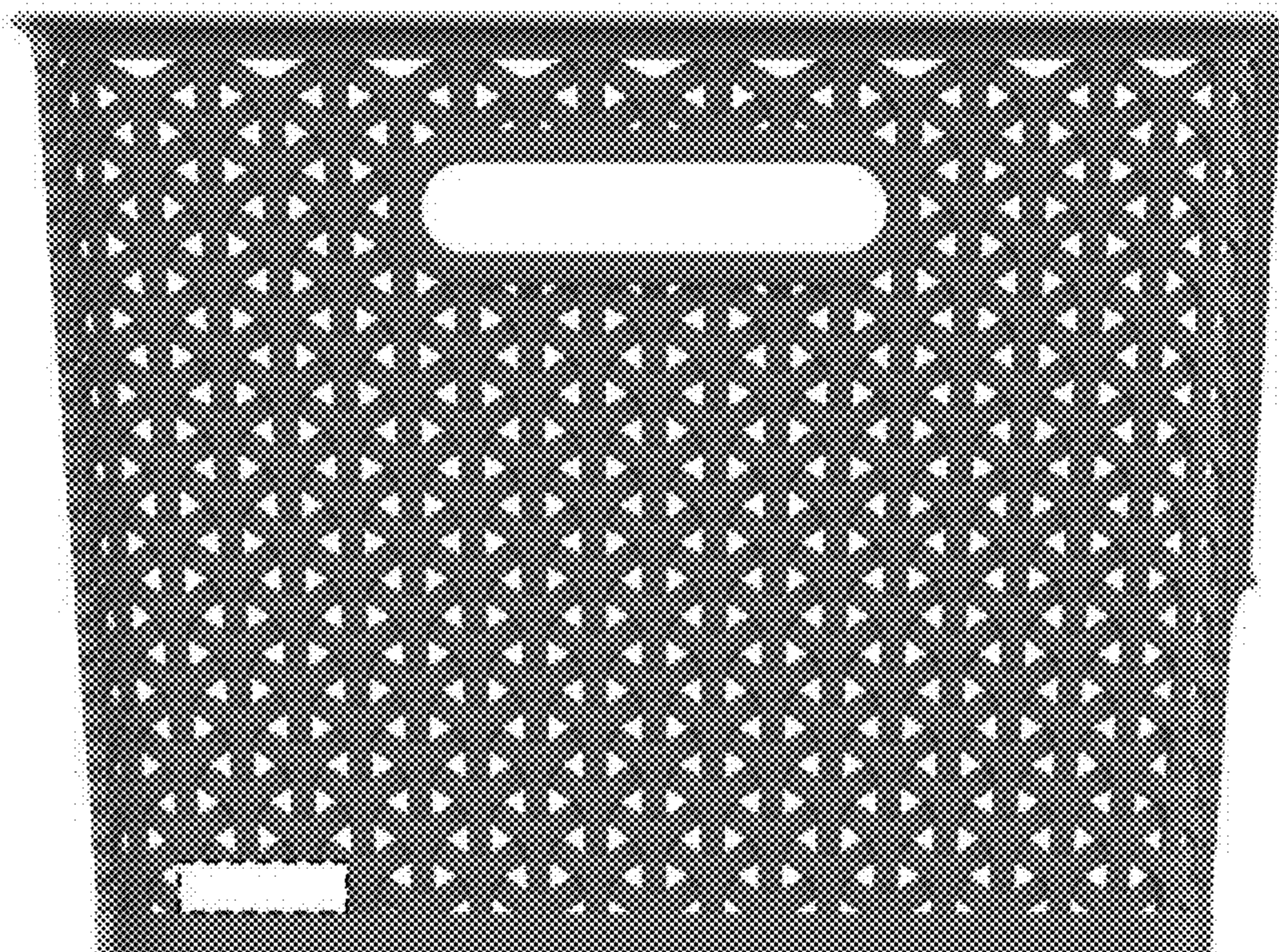
3.3



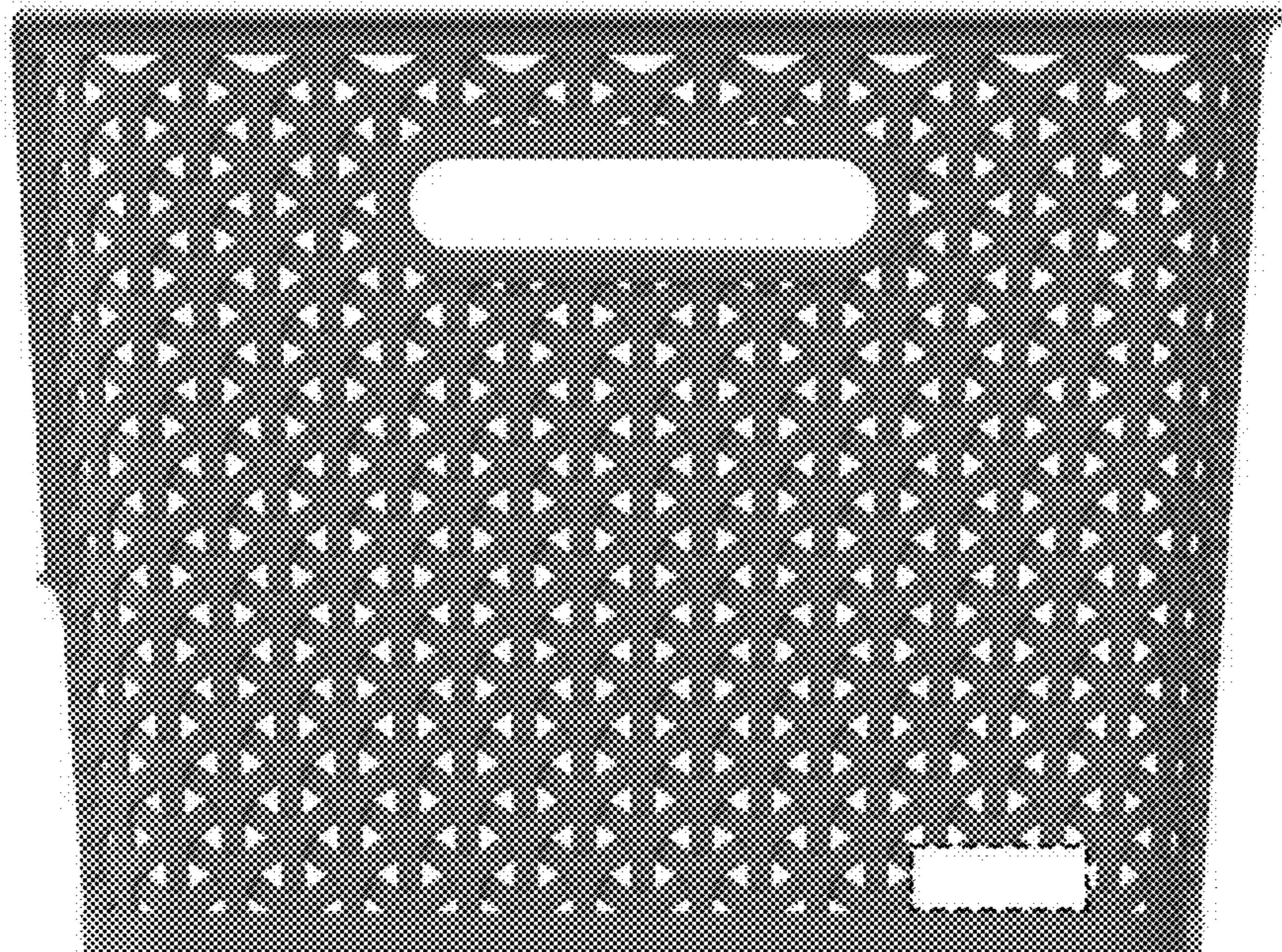
3.4



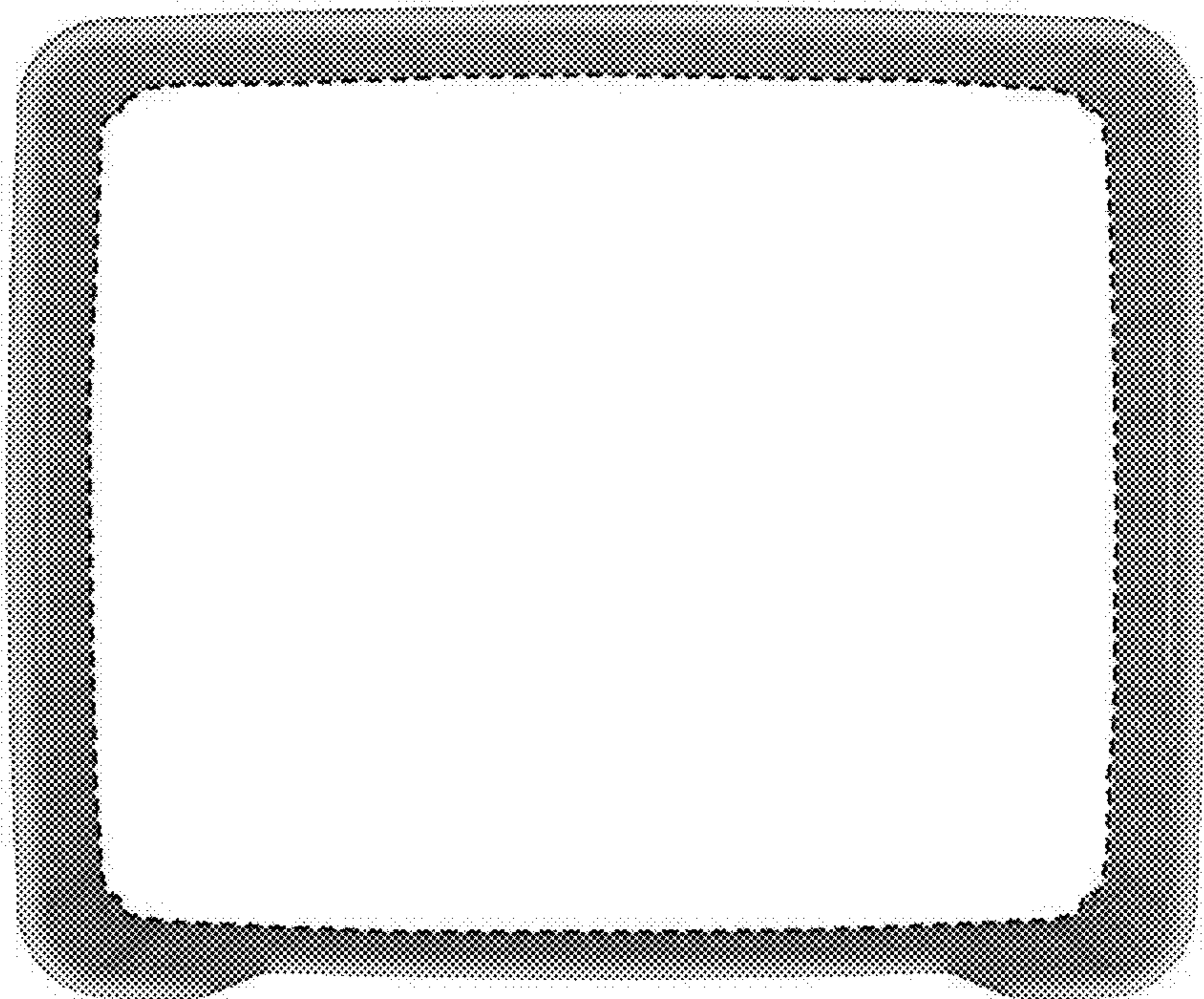
3.5



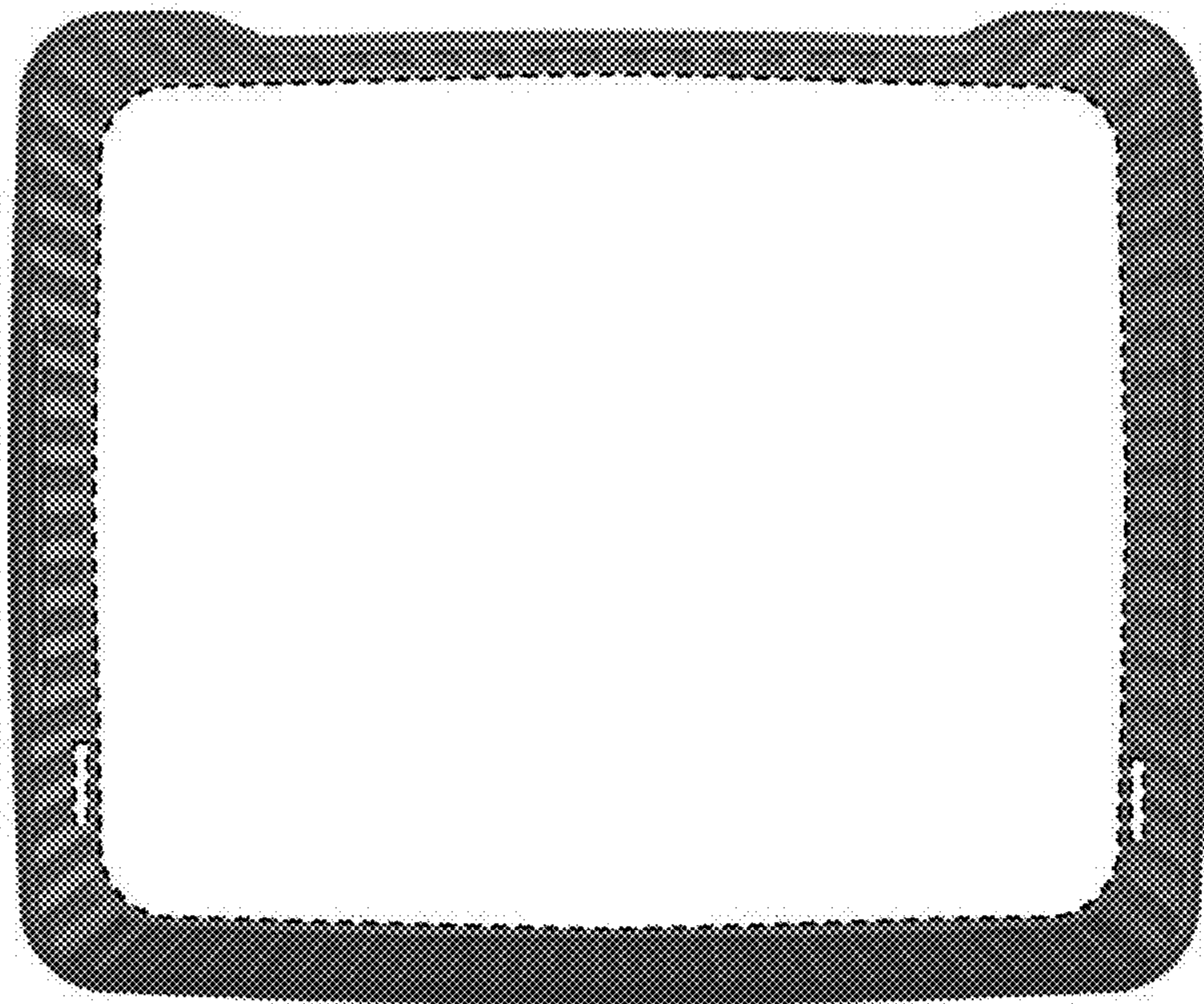
3.6



3.7



3.8



3.9

