



US00D974760S

(12) **United States Design Patent** (10) **Patent No.:** **US D974,760 S**
Tung (45) **Date of Patent:** **** Jan. 10, 2023**

(54) **ROLL-UP SLEEVE**
(71) Applicant: **Philip Morris Products S.A.**,
Neuchatel (CH)
(72) Inventor: **Jeffrey Tung**, San Francisco, CA (US)
(73) Assignee: **Philip Morris Products S.A.**,
Neuchatel (CH)

D680,744 S * 4/2013 Rashid D3/303
D699,030 S * 2/2014 Etzler D3/206
D798,737 S * 10/2017 Miller D9/711
D888,573 S * 6/2020 Tung D9/711
D896,066 S * 9/2020 Tung D9/418
D909,196 S * 2/2021 Tung D9/418
D911,162 S * 2/2021 Tung D9/418
D917,168 S * 4/2021 Tung D3/303

(**) Term: **15 Years**
(21) Appl. No.: **29/669,669**
(22) Filed: **Nov. 9, 2018**

(30) **Foreign Application Priority Data**
May 9, 2018 (EM) 005262797-0010
May 9, 2018 (EM) 005262797-0012
(51) **LOC (14) Cl.** **03-01**
(52) **U.S. Cl.**
USPC **D3/299**
(58) **Field of Classification Search**
USPC D3/247, 249-253, 300, 303, 299;
D8/371, 394-396; D9/414-418, 711,
D9/431, 444, 432; D19/32, 27, 26
CPC A41D 27/20; A41D 27/204; A24F 15/00
See application file for complete search history.

(56) **References Cited**
U.S. PATENT DOCUMENTS
D506,066 S * 6/2005 Nieves D3/299
D544,030 S * 6/2007 LaDue D19/27
D544,538 S * 6/2007 Kesselring D19/27
D593,601 S * 6/2009 Stulman D19/27
D603,165 S * 11/2009 Losiewicz D3/299
D610,441 S * 2/2010 Jones D8/394
D627,167 S * 11/2010 Kittrell D3/299
D646,892 S * 10/2011 Littleton D3/299

OTHER PUBLICATIONS

Amazon.com. "Handmade Medium Vintage Leather Journal Diary"
Rustic Town. First reviewed Nov. 18, 2015. Retrieved Dec. 15,
2021. (<https://www.amazon.com/Handmade-Medium-Vintage-Leather-Journal/dp/B015RE6B92/>) (Year: 2015).*

* cited by examiner

Primary Examiner — Kevin K Rudzinski
Assistant Examiner — Jerry Shiuan-Hua Hsu
(74) *Attorney, Agent, or Firm* — Oblon, McClelland,
Maier & Neustadt, L.L.P.

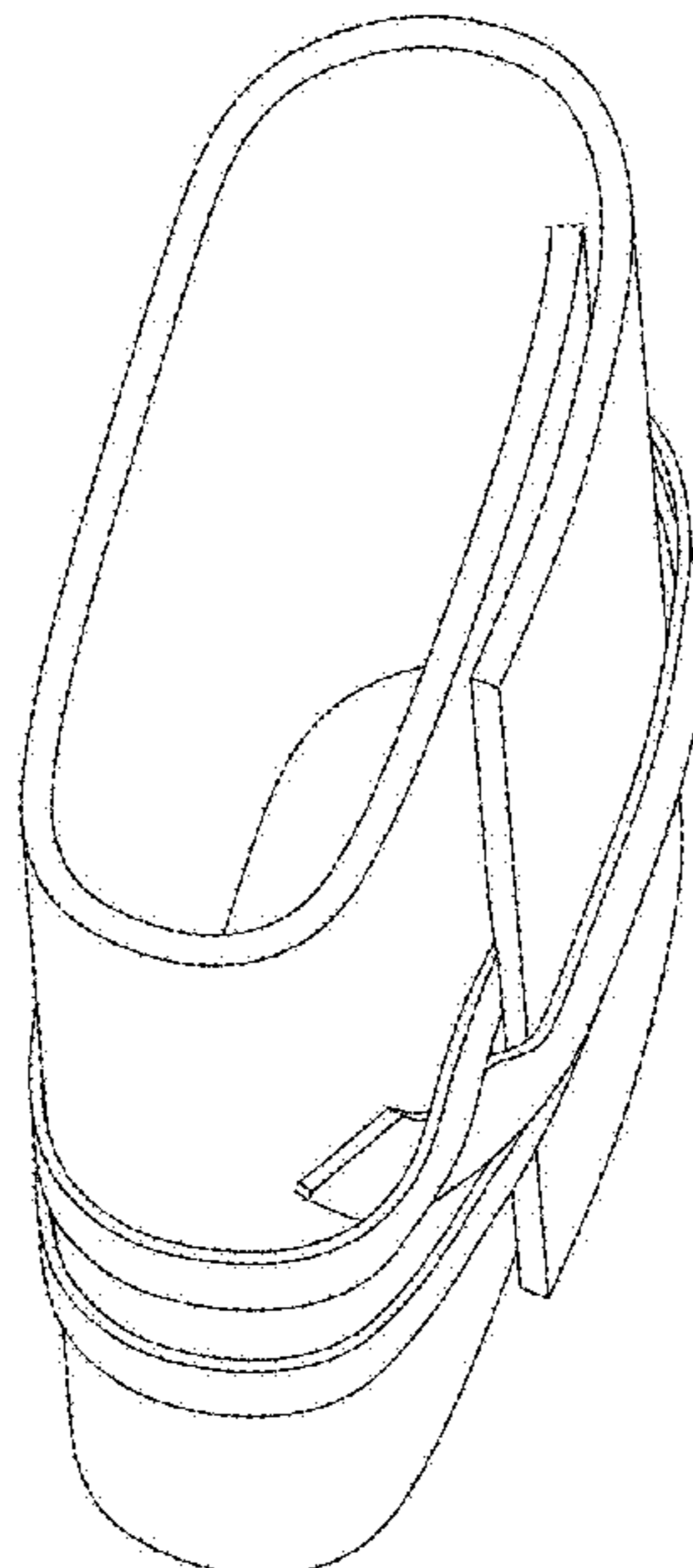
(57) **CLAIM**

The ornamental design for a roll-up sleeve, as shown and described.

DESCRIPTION

FIG. 1 is a front, top, and right side perspective view of a roll-up sleeve, showing my new design; FIG. 2 is a front elevational view thereof; FIG. 3 is a rear elevational view thereof; FIG. 4 is a left side elevational view thereof; FIG. 5 is a right side elevational view thereof; FIG. 6 is a top plan view thereof; and, FIG. 7 is a bottom plan view thereof. The broken lines illustrate portions of the roll-up sleeve which form no part of the claimed design.

1 Claim, 7 Drawing Sheets



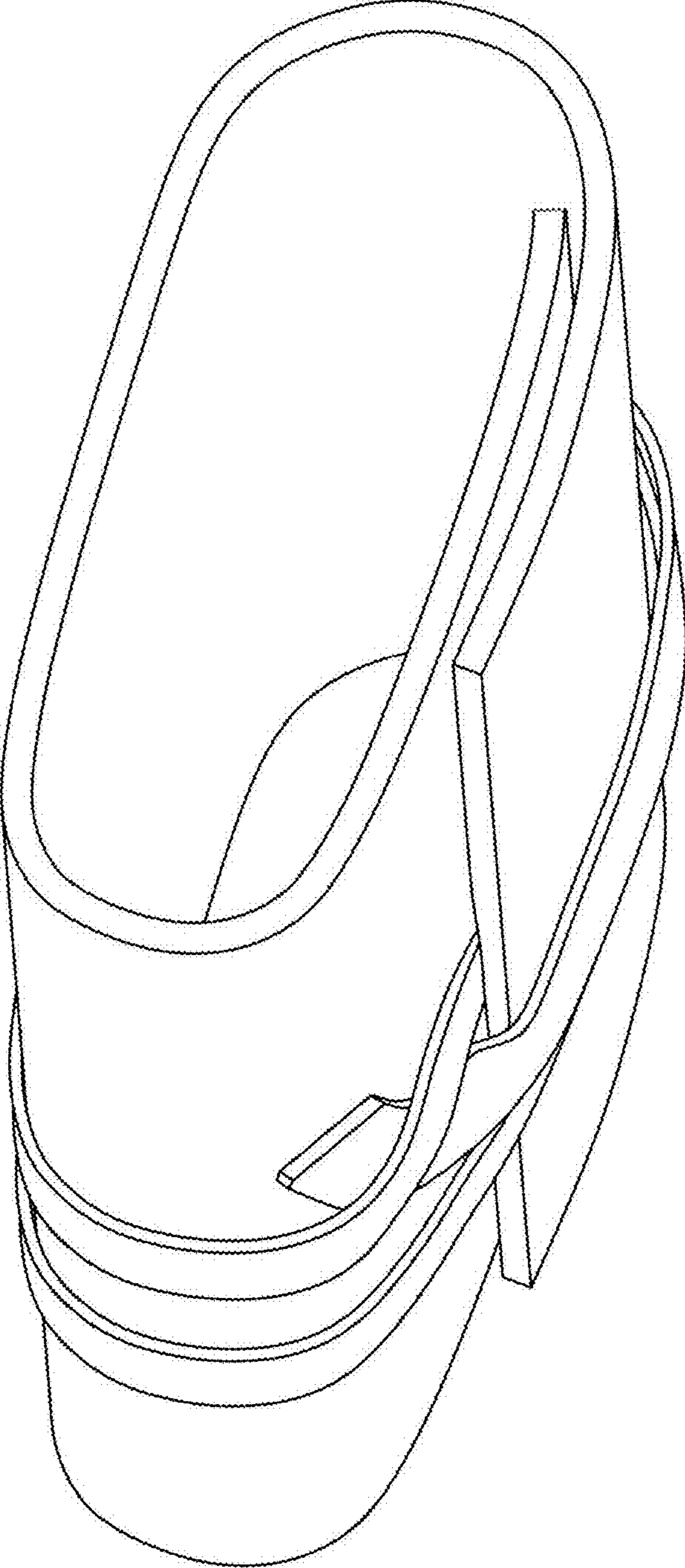


FIG. 1

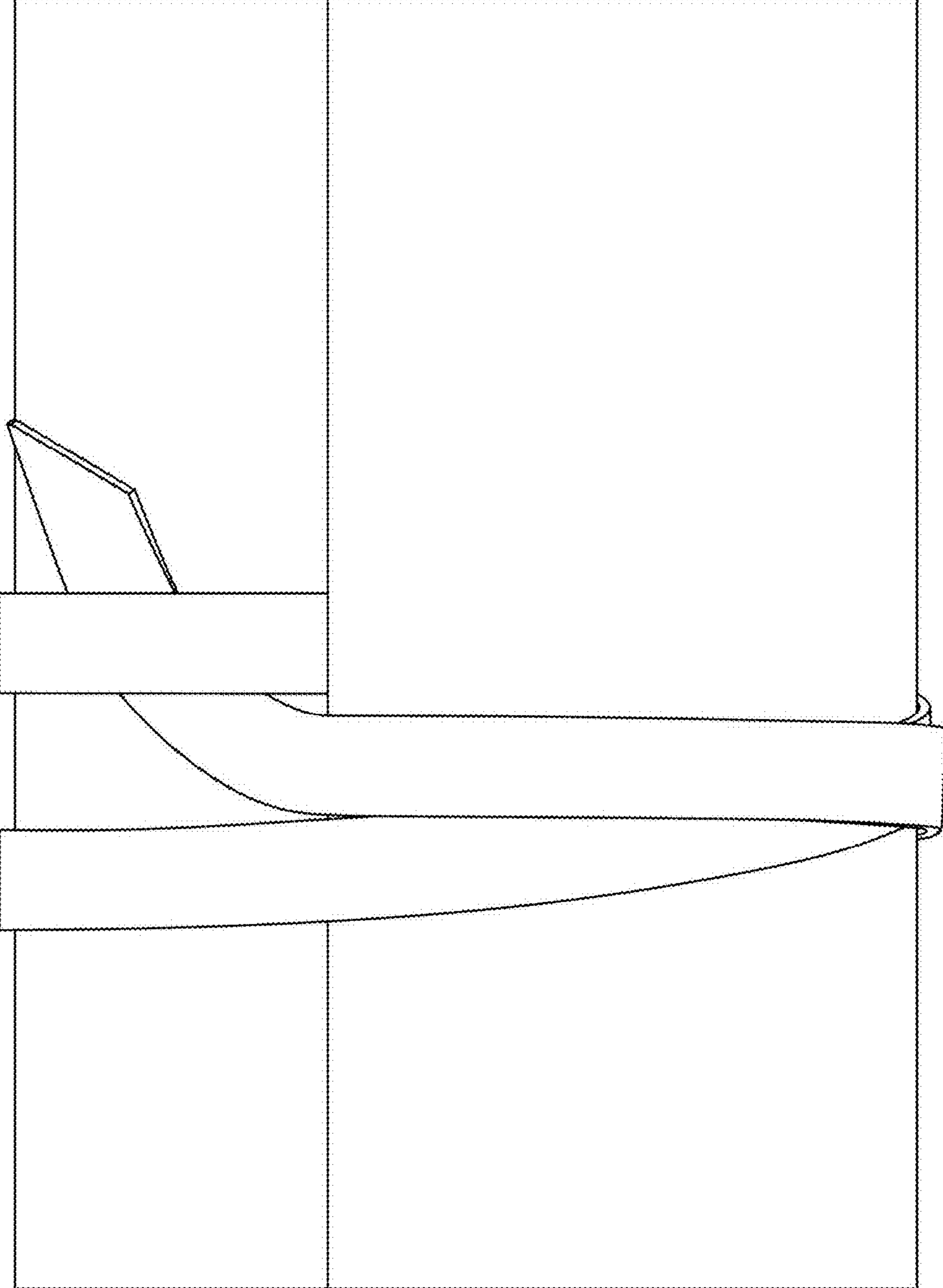


FIG. 2

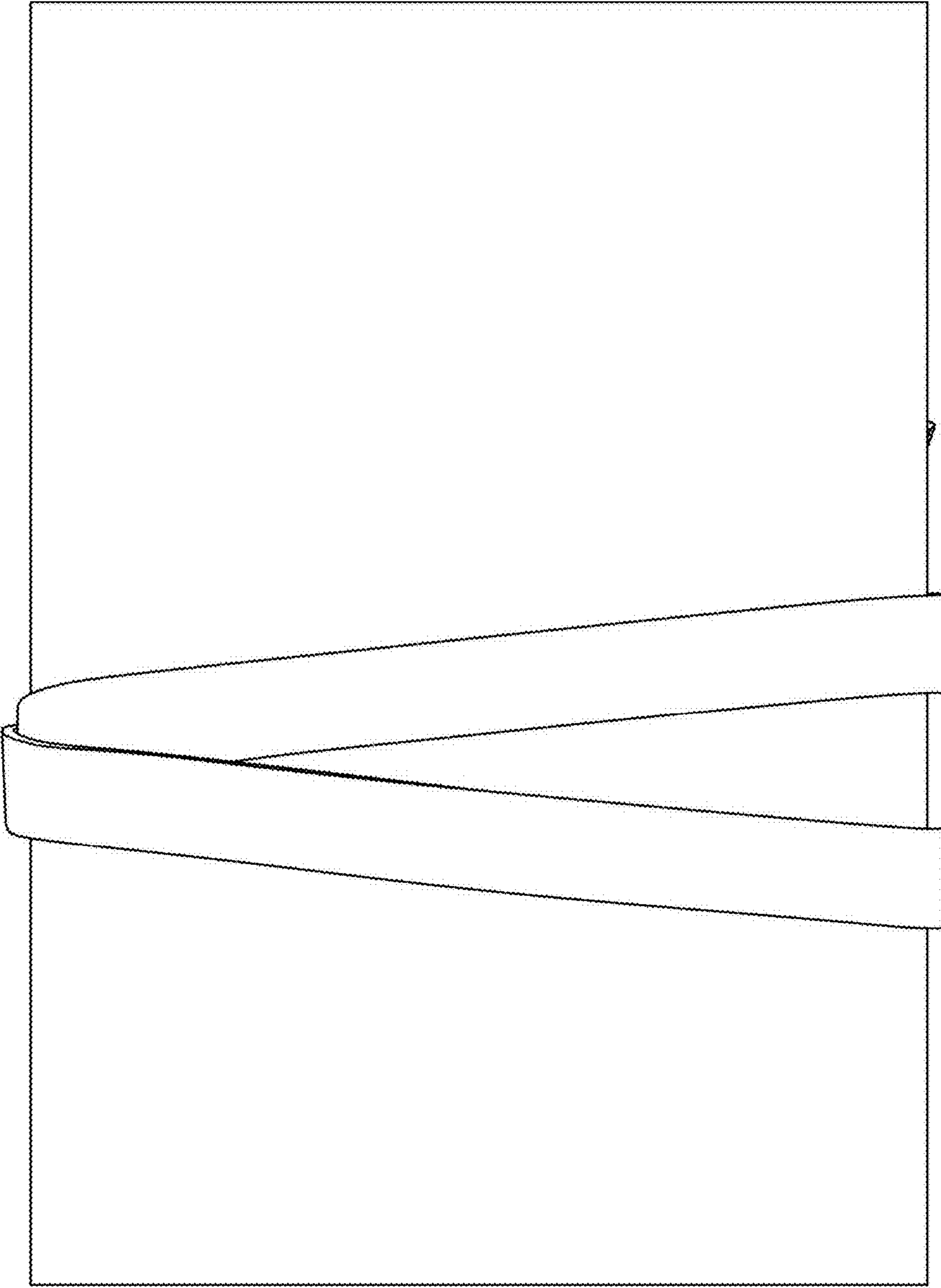


FIG. 3

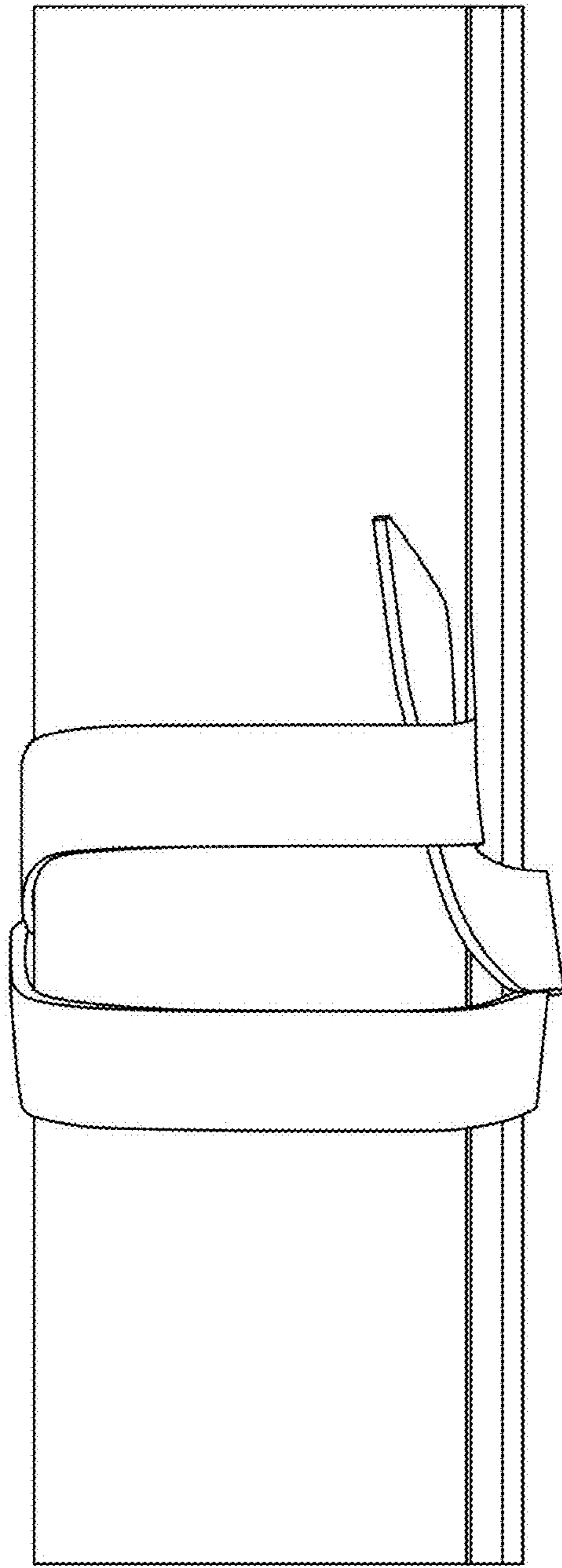


FIG. 4

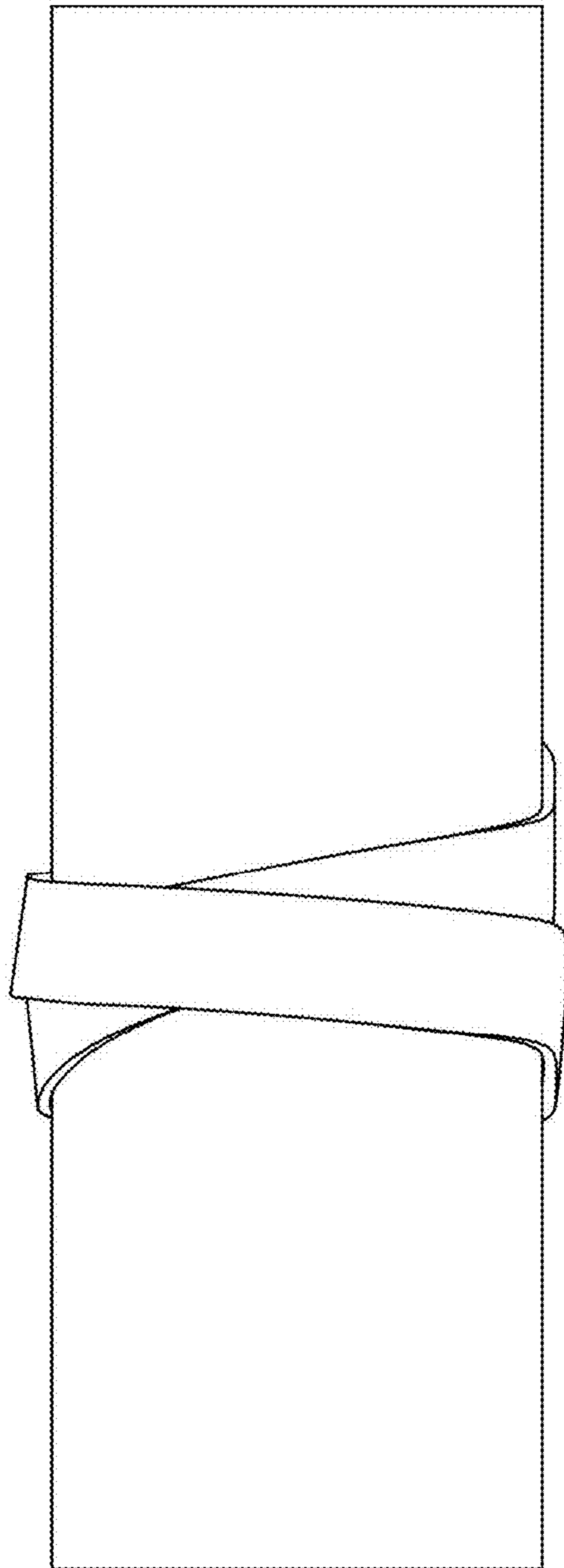


FIG. 5

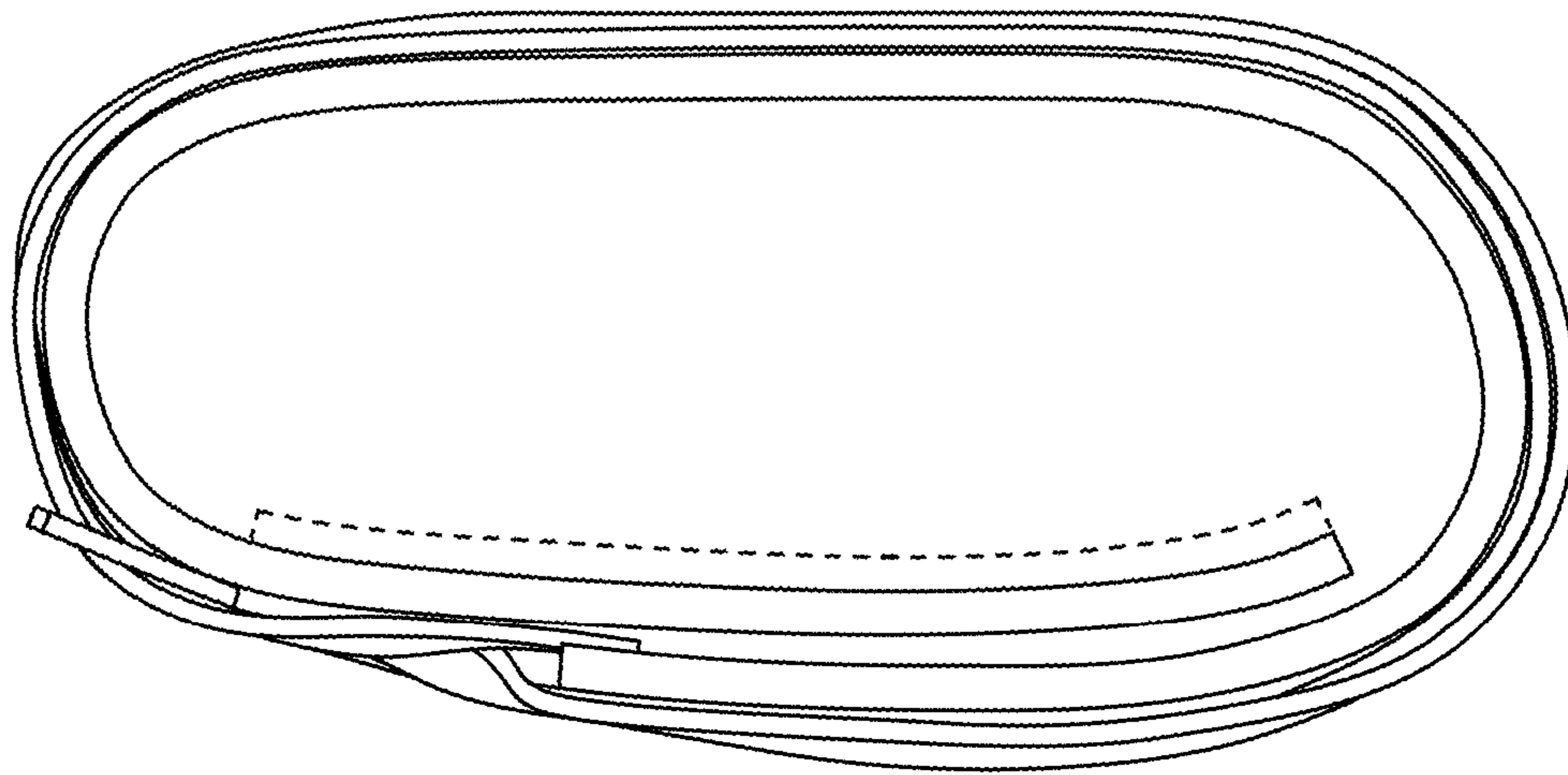


FIG. 6

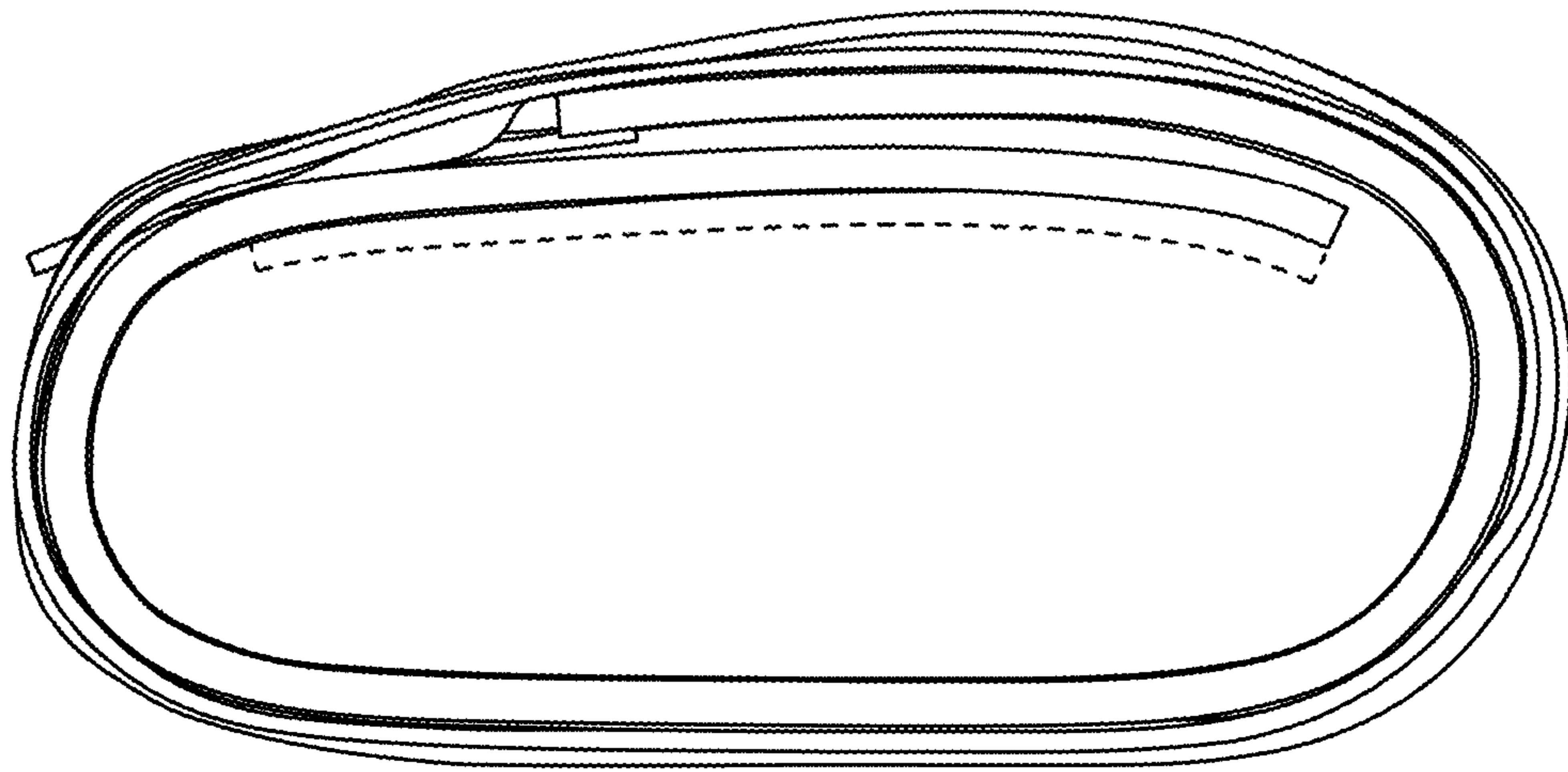


FIG. 7