



US00D974756S

(12) **United States Design Patent** (10) **Patent No.:** **US D974,756 S**  
**Yang** (45) **Date of Patent:** **\*\* Jan. 10, 2023**

(54) **SUITCASE**  
(71) Applicant: **Shenzhen Haochuang Network Technology Co., Ltd., Shenzhen (CN)**  
(72) Inventor: **Jinsheng Yang, Shenzhen (CN)**  
(\*\*) Term: **15 Years**  
(21) Appl. No.: **29/839,212**  
(22) Filed: **May 19, 2022**  
(51) **LOC (14) Cl.** ..... **03-01**  
(52) **U.S. Cl.**  
USPC ..... **D3/279; D3/289**  
(58) **Field of Classification Search**  
USPC ..... D3/273, 274, 276, 283, 289, 302, 279  
CPC ..... A45C 11/00; A45C 2011/001; A45C  
2005/032; A45C 5/14  
See application file for complete search history.

D905,961 S \* 12/2020 Sanz ..... D3/279  
D918,582 S 5/2021 Chen  
D942,754 S \* 2/2022 Walsh ..... D3/279  
D951,634 S \* 5/2022 Tong ..... D3/279

**OTHER PUBLICATIONS**

Amazon, "BEOW Expandable Luggage Sets . . . ", First reviewed Jun. 20, 2022. (<https://www.amazon.com/dp/B09W5VPSDB/?th=1>) (Year: 2022).\*

\* cited by examiner

*Primary Examiner* — April Rivas

(74) *Attorney, Agent, or Firm* — Rumit Ranjit Kanakia

(57) **CLAIM**

The ornamental design for a suitcase, as shown and described.

**DESCRIPTION**

FIG. 1 is a front perspective view of a suitcase showing my new design;  
FIG. 2 is a rear perspective view thereof;  
FIG. 3 is a front view thereof;  
FIG. 4 is a back view thereof  
FIG. 5 is a left side view thereof;  
FIG. 6 is a right side view thereof;  
FIG. 7 is a top view thereof; and,  
FIG. 8 is a bottom view thereof.  
The broken lines shown in the drawings depict portions of the suitcase that form no part of the claimed design.

**1 Claim, 8 Drawing Sheets**

(56) **References Cited**

**U.S. PATENT DOCUMENTS**

D485,681 S \* 1/2004 Fenton ..... D3/279  
D590,595 S \* 4/2009 Chu ..... D3/289  
D639,555 S \* 6/2011 Moon ..... D3/279  
D640,868 S \* 7/2011 Jongchul ..... D3/902  
D791,477 S 7/2017 Liu  
D809,294 S \* 2/2018 Tong ..... D3/279  
D859,834 S \* 9/2019 Wu ..... D3/289  
D873,008 S 1/2020 Feiglin Dzikowski et al.  
D881,569 S \* 4/2020 Rubio ..... D3/279  
D883,671 S \* 5/2020 Tong ..... D3/318

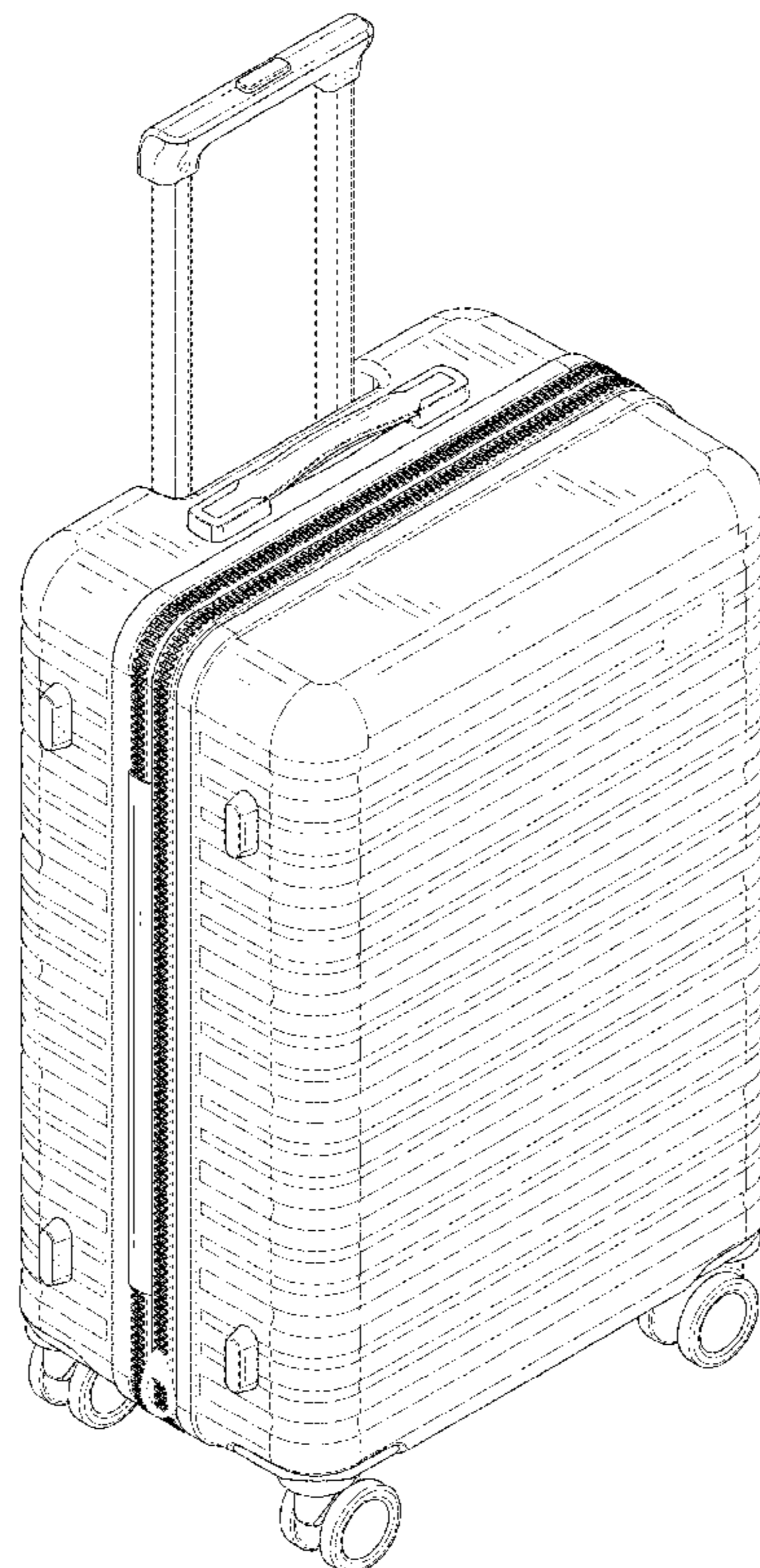




FIG. 1

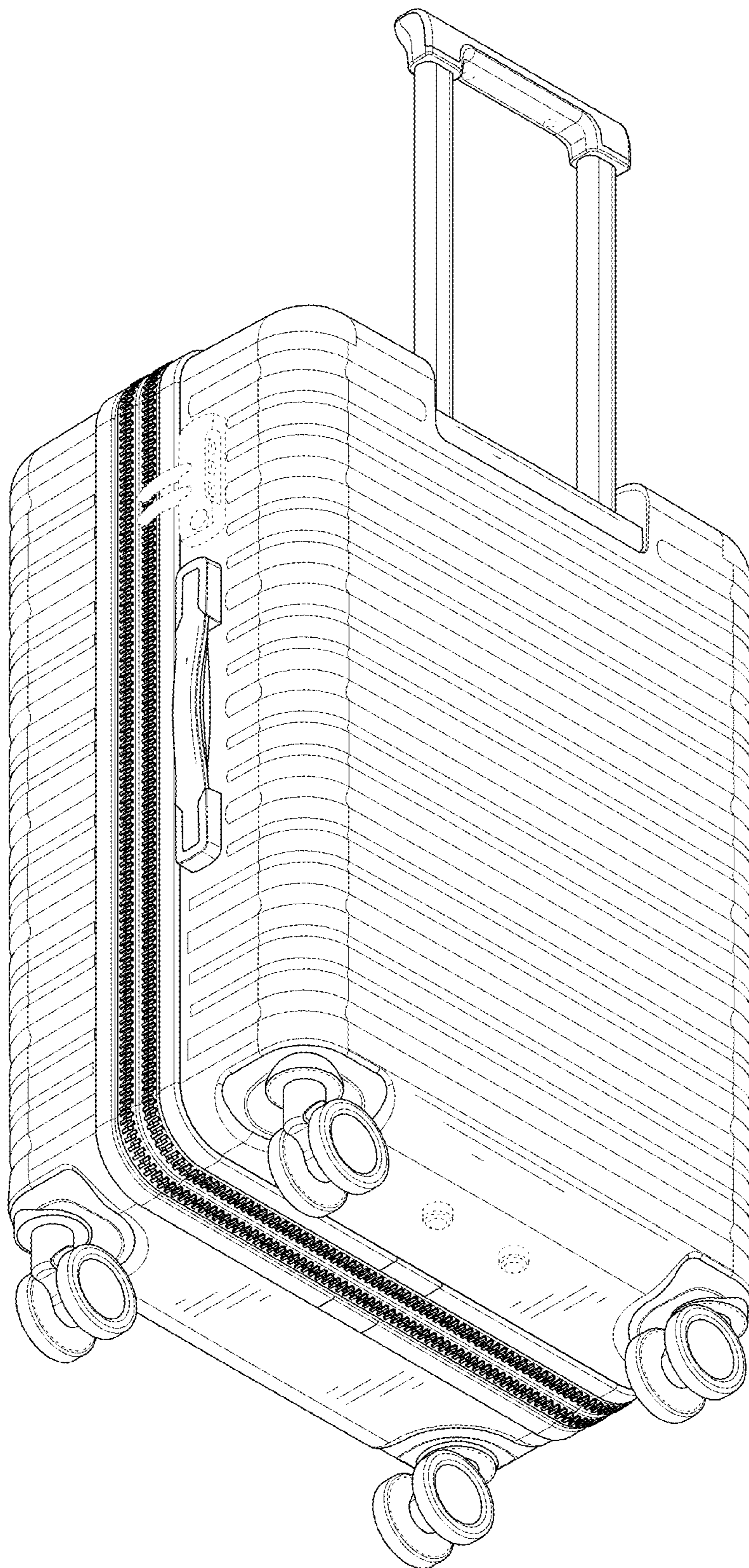


FIG. 2



FIG. 3



FIG. 4

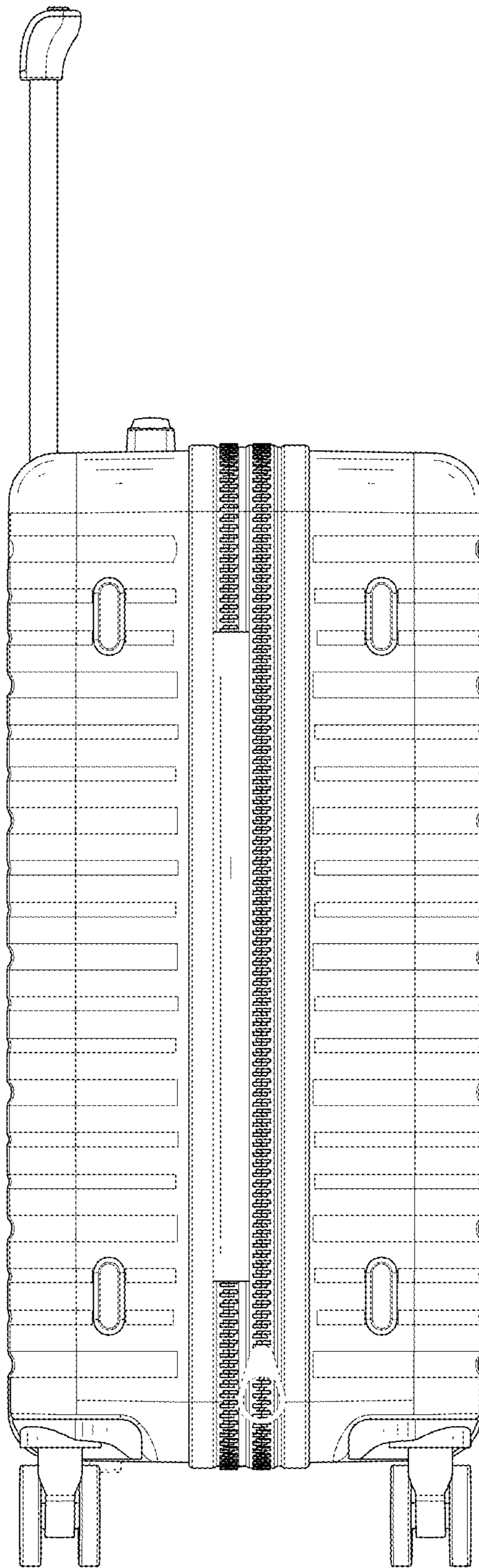


FIG. 5

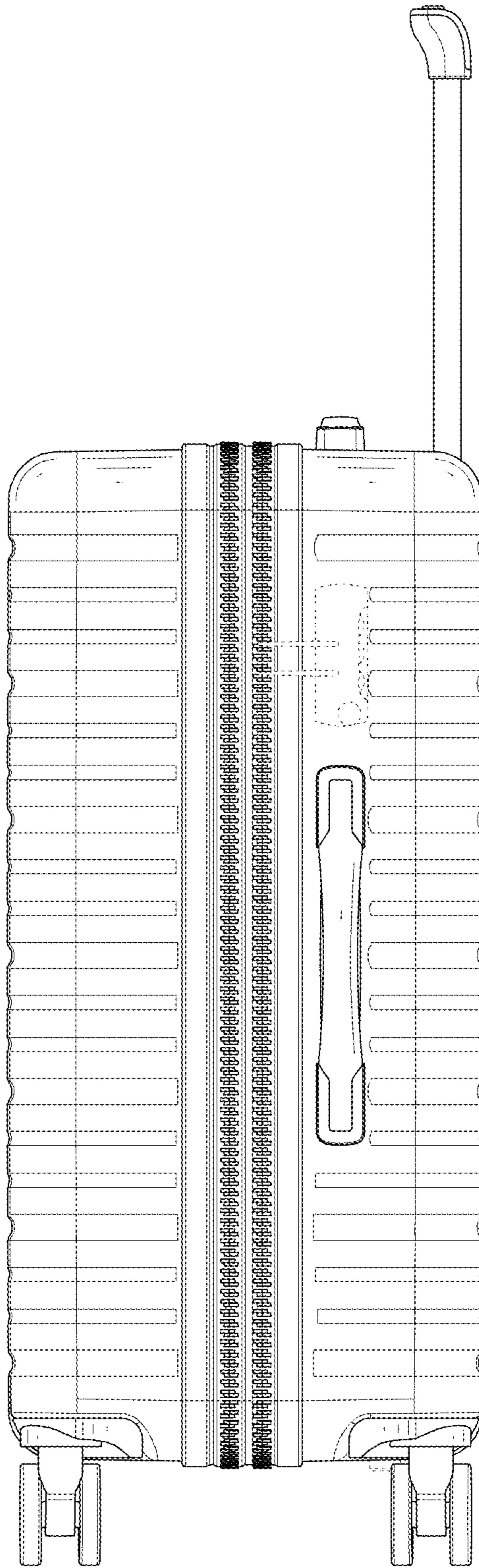


FIG. 6

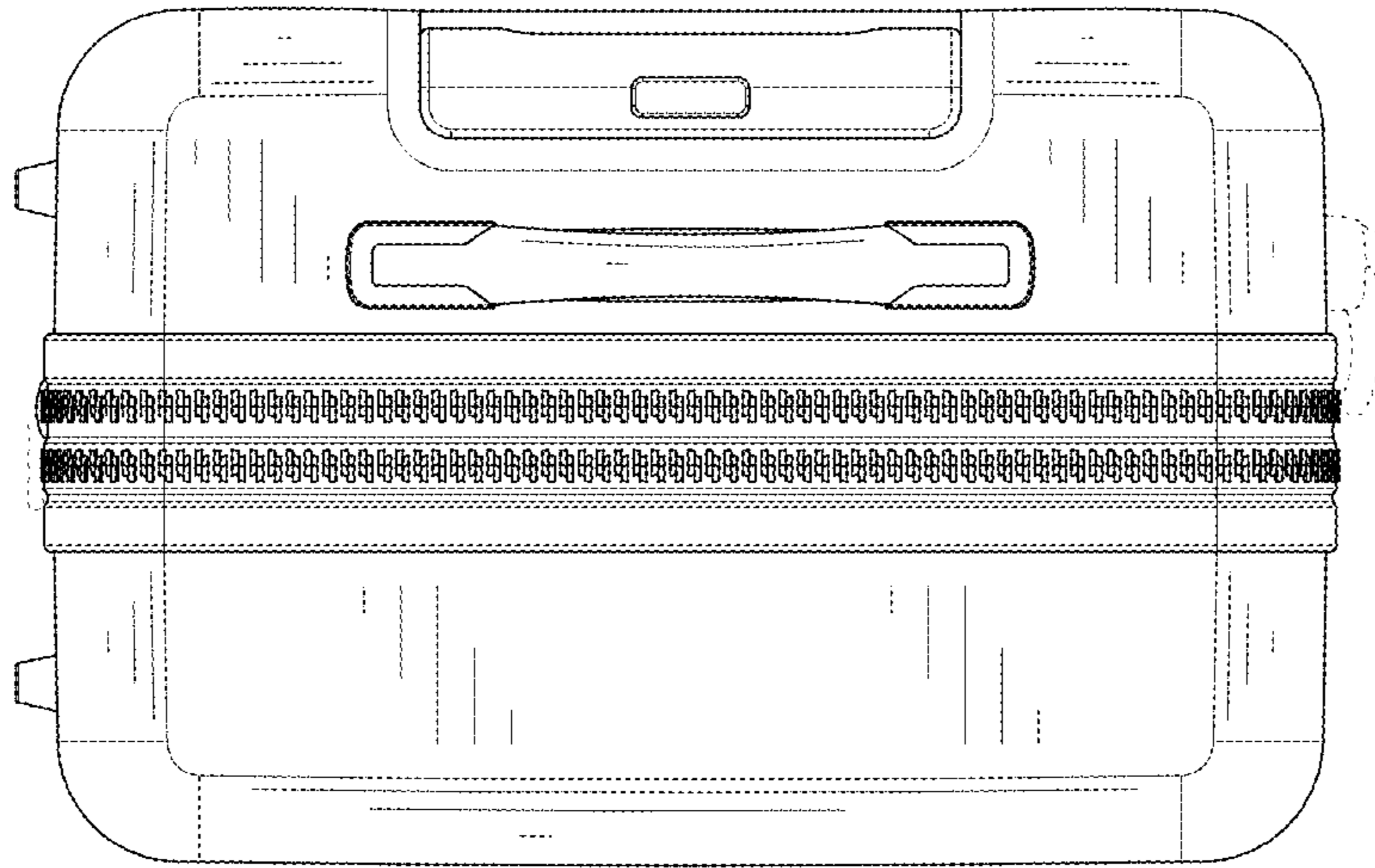


FIG. 7



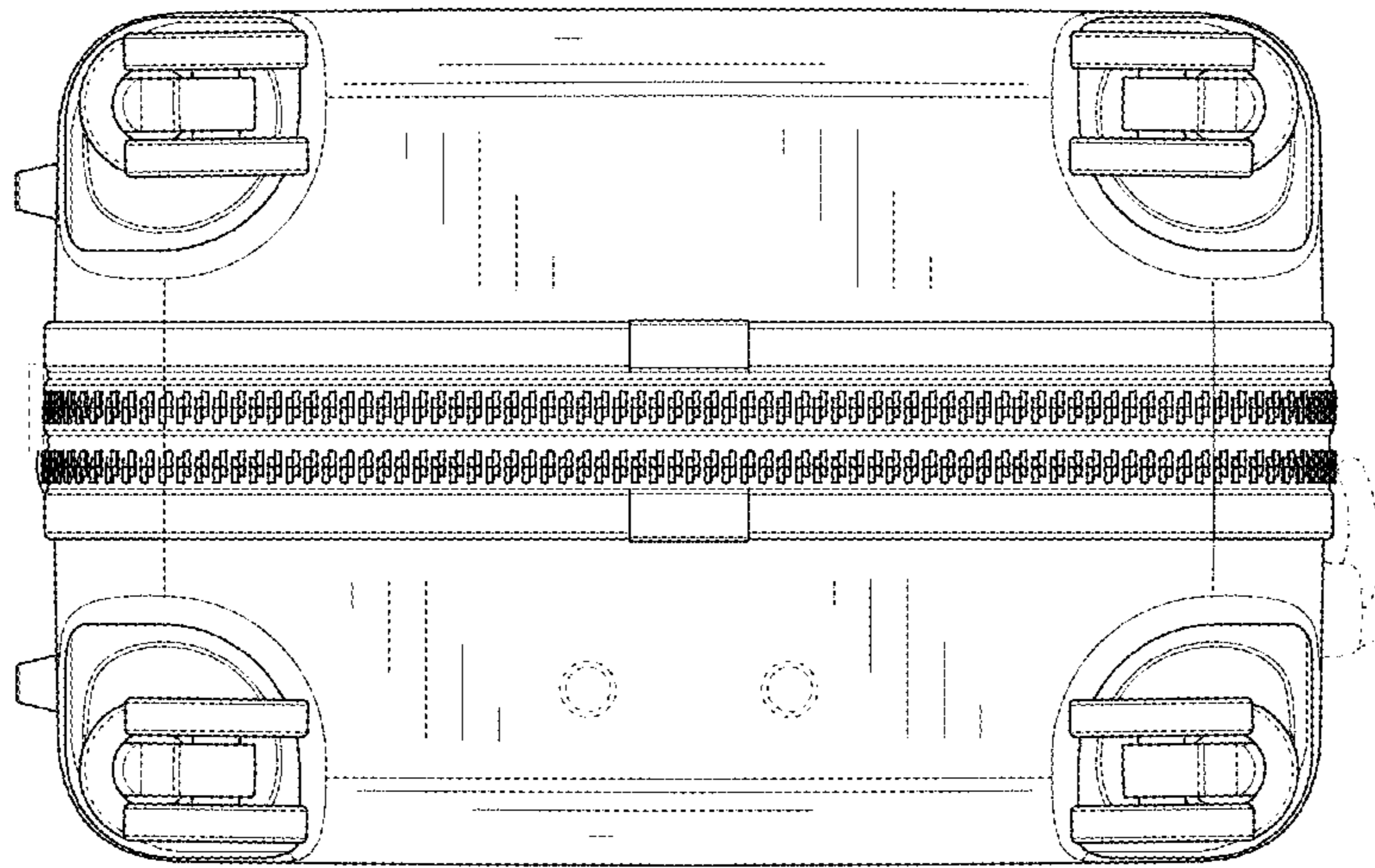


FIG. 8