



US00D974754S

(12) **United States Design Patent**
Sakai

(10) **Patent No.:** **US D974,754 S**
(45) **Date of Patent:** **** *Jan. 10, 2023**

(54) **CASE FOR TOY BEADS**

(71) Applicant: **EPOCH COMPANY LTD**, Tokyo (JP)

(72) Inventor: **Ryo Sakai**, Tokyo (JP)

(73) Assignee: **EPOCH COMPANY, LTD.**, Tokyo (JP)

(*) Notice: This patent is subject to a terminal disclaimer.

(**) Term: **15 Years**

(21) Appl. No.: **29/708,123**

(22) Filed: **Oct. 3, 2019**

(30) **Foreign Application Priority Data**

Apr. 3, 2019 (JP) 2019-007264

(51) **LOC (14) Cl.** **03-01**

(52) **U.S. Cl.**
USPC **D3/271.1**

(58) **Field of Classification Search**

USPC D3/201, 202, 203.1, 203.2, 203.3, 203.4, D3/203.5, 203.6, 203.7, 203.8, 211, 212, D3/229, 270, 271.1, 271.9, 273-276, 282, D3/291, 316, 325, 900, 901, 903-905; D7/601, 602, 609, 619.1, 631-633, 635,
(Continued)

(56) **References Cited**

U.S. PATENT DOCUMENTS

558,433 A * 4/1896 Stoddard A47F 5/112
248/152
648,182 A * 4/1900 Webb B65D 3/08
229/116.1

(Continued)

FOREIGN PATENT DOCUMENTS

CN 3529388 * 5/2006
CN 303009860 * 11/2014

(Continued)

OTHER PUBLICATIONS

Bl Star Bead Station, available at toystolove.net, date not available [online], site visited Feb. 18, 2022, available from the internet URL: <https://www.toystolove.net/buy/05054131317761/bl-star-bead-station> (Year: 2022).*

(Continued)

Primary Examiner — Messina L Smith

Assistant Examiner — Jillian Mazzola

(74) *Attorney, Agent, or Firm* — Fitzgerald IP Law; John K Fitzgerald, Esq.

(57) **CLAIM**

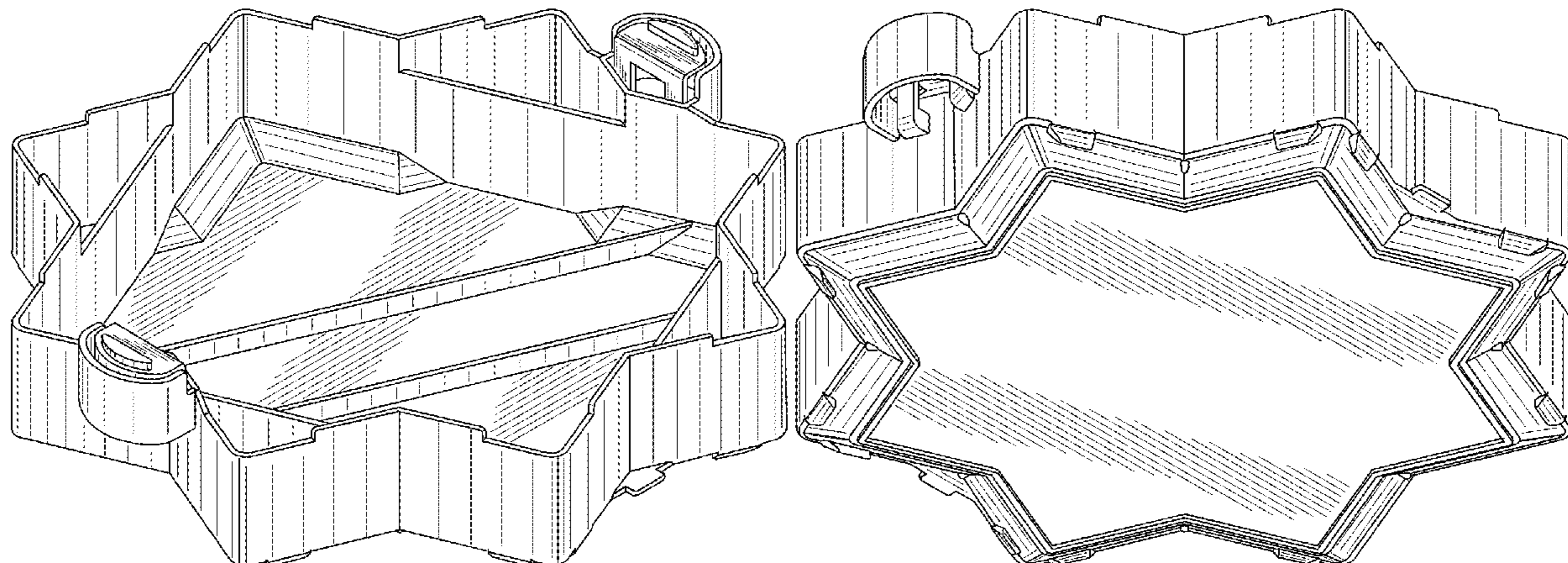
The ornamental design for a case for toy beads, as shown and described.

DESCRIPTION

FIG. 1 is a front, top, and right perspective view of a case for toy beads showing my new design; FIG. 2 is a rear, bottom, and left perspective view thereof; FIG. 3 is a front view thereof; FIG. 4 is a rear view thereof; FIG. 5 is a top view thereof; FIG. 6 is a bottom view thereof; FIG. 7 is a right side view thereof; FIG. 8 is a left side view thereof; and, FIG. 9 is a perspective view of the case for toy beads and shown in an alternate configuration with a lid and another case for beads.

The broken lines showing of a lid and another case for beads depict environmental structure and form no part of the claimed design.

1 Claim, 9 Drawing Sheets



- (58) **Field of Classification Search**
 USPC D7/637, 638; D9/414, 420–423, 434,
 D9/435, 499, 700, 701; D21/815, 816
 CPC A45C 11/005; A45C 11/008; A45C 11/02;
 A45C 11/04; A45C 11/043; A45C 11/046;
 A45C 11/06; A45C 11/08; A45C 11/20;
 A45C 11/22; A45C 11/24; A45C 11/34;
 A45C 11/36; A45C 2011/006; A45C
 2011/007
 See application file for complete search history.

(56) **References Cited**

U.S. PATENT DOCUMENTS

| | | | | | | |
|----------|---|---|---------|----------|-------|----------|
| D56,027 | S | * | 8/1920 | Polasky | | D3/903 |
| D144,910 | S | * | 6/1946 | Crane | | D19/103 |
| D166,895 | S | * | 5/1952 | Whitney | | D9/756 |
| D172,113 | S | * | 5/1954 | Smith | | D3/901 |
| D180,712 | S | * | 7/1957 | Hake | | D3/270 |
| D220,992 | S | * | 6/1971 | Hepper | | D3/315 |
| D251,934 | S | * | 5/1979 | Brown | | D3/315 |
| D255,472 | S | * | 6/1980 | Gabriel | | D8/382 |
| D321,788 | S | * | 11/1991 | Chen | | D3/905 |
| D341,388 | S | * | 11/1993 | Rocco | | D3/274 |
| D391,080 | S | * | 2/1998 | Larson | | D3/319 |
| D400,012 | S | * | 10/1998 | Apps | | D3/314 |
| D403,506 | S | * | 1/1999 | Huang | | D9/544 |
| D407,534 | S | * | 3/1999 | Howard | | D34/1 |
| D424,295 | S | * | 5/2000 | Yao | | D3/271.1 |
| D453,405 | S | * | 2/2002 | Howard | | D34/1 |
| D537,251 | S | * | 2/2007 | Musgrove | | D3/315 |
| D546,062 | S | * | 7/2007 | Tate | | D3/291 |
| D565,295 | S | * | 4/2008 | Weir | | D3/289 |
| D575,508 | S | * | 8/2008 | Shanahan | | D3/211 |
| D599,554 | S | * | 9/2009 | Gonzalez | | D3/318 |
| D616,201 | S | * | 5/2010 | Bui | | D3/305 |
| D666,418 | S | * | 9/2012 | Meyer | | D3/304 |
| D729,576 | S | * | 5/2015 | Habig | | D9/756 |
| D752,863 | S | * | 4/2016 | Torggler | | D3/315 |
| D772,078 | S | * | 11/2016 | Shoshan | | D9/756 |
| D813,544 | S | * | 3/2018 | Wang | | D3/305 |
| D820,684 | S | * | 6/2018 | Egner | | D9/635 |
| D848,737 | S | * | 5/2019 | Heroux | | D3/285 |

| | | | | | | |
|--------------|----|---|---------|-------------|-------|-------------|
| D883,668 | S | * | 5/2020 | Sakai | | D3/294 |
| D883,669 | S | * | 5/2020 | Sakai | | D3/294 |
| D910,860 | S | * | 2/2021 | Villano | | D24/194 |
| D915,067 | S | * | 4/2021 | Sakai | | D3/271.1 |
| D915,772 | S | * | 4/2021 | Sakai | | D3/304 |
| D915,902 | S | * | 4/2021 | Mastronardi | | D9/426 |
| D922,071 | S | * | 6/2021 | Jensen | | D9/600 |
| D927,183 | S | * | 8/2021 | Sakai | | D3/271.1 |
| D929,127 | S | * | 8/2021 | Ding | | D3/273 |
| D930,357 | S | * | 9/2021 | Sakai | | D3/271.1 |
| D930,358 | S | * | 9/2021 | Sakai | | D3/276 |
| D930,362 | S | * | 9/2021 | Liao | | D3/294 |
| D930,412 | S | * | 9/2021 | Sakai | | D6/682.3 |
| D931,603 | S | * | 9/2021 | Ding | | D3/273 |
| D934,564 | S | * | 11/2021 | Wu | | D3/294 |
| 2018/0057233 | A1 | * | 3/2018 | Fox | | B65D 75/566 |

FOREIGN PATENT DOCUMENTS

| | | | |
|----|-----------|---|---------|
| CN | 303204591 | * | 2/2015 |
| RU | 00117681 | * | 11/2019 |
| RU | 00118159 | * | 12/2019 |
| RU | 00119118 | * | 3/2020 |
| RU | 00119121 | * | 3/2020 |

OTHER PUBLICATIONS

Aquabeads How To, available at treasureeverymoment.co.uk, posted Jun. 30, 2020 [online], site visited Feb. 18, 2022, available from the internet URL: <http://www.treasureeverymoment.co.uk/2020/06/children-how-to-make-aquabeads-bunting.html> (Year: 2020).*

Lonjew Wood bead box, available at [amazon.com](https://www.amazon.com), earliest date available Mar. 13, 2019 [online], site visited Feb. 18, 2022, available from the internet URL: <https://www.amazon.com/Lonjew-storage-organizer-beadwork-accessory/dp/B07PRDQQ72/> (Year: 2019).*

Round 6-Compartment Organizer, available at [hobbylobby.com](https://www.hobbylobby.com), earliest customer review date Dec. 8, 2016 [online], site visited Feb. 18, 2022, available from the internet URL: <https://www.hobbylobby.com/Crafts-Hobbies/Storage-Organization/Round-6-Compartment-Organizer/p/119788> (Year: 2016).*

* cited by examiner

FIG. 1

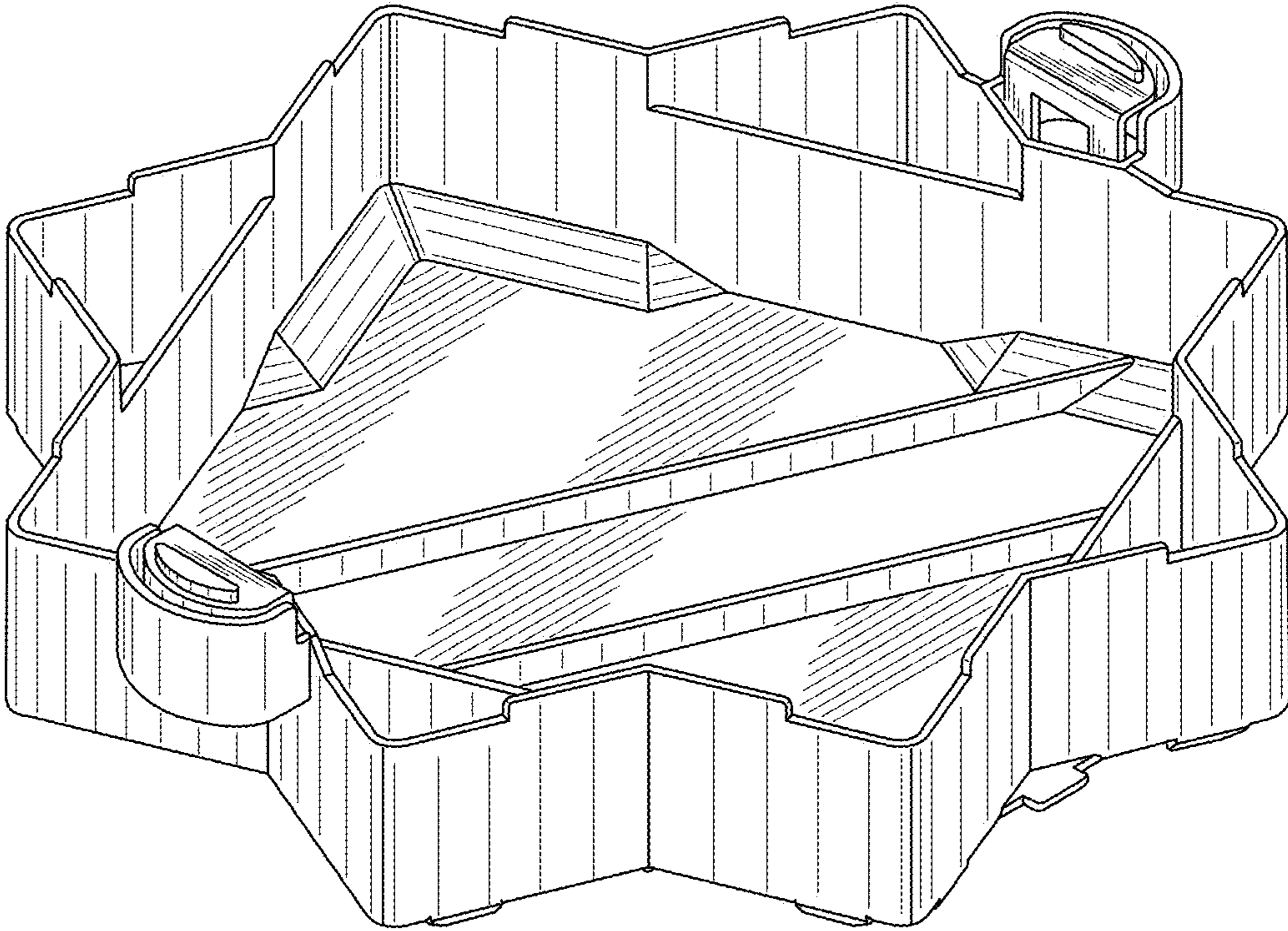


FIG. 2

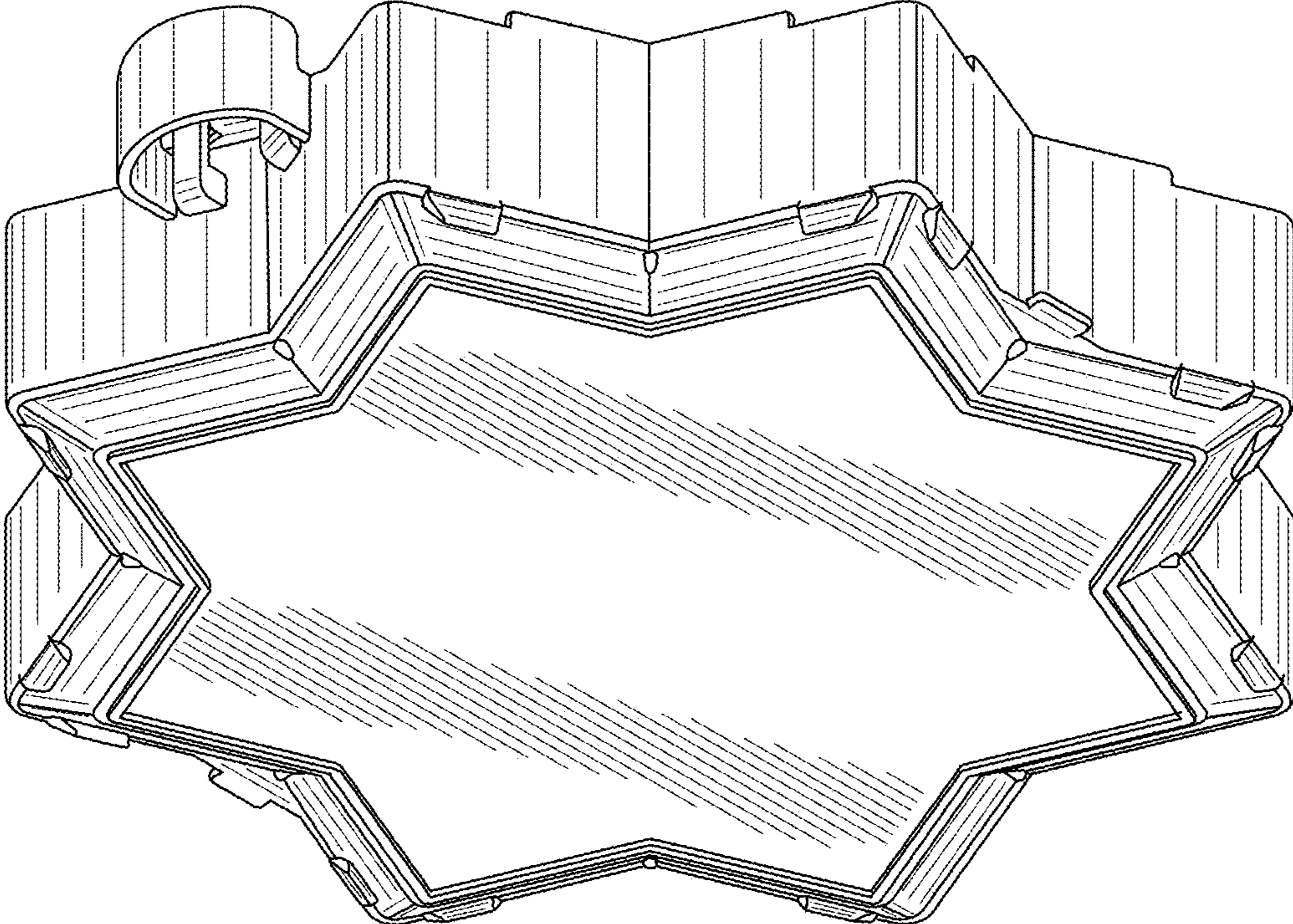


FIG. 3

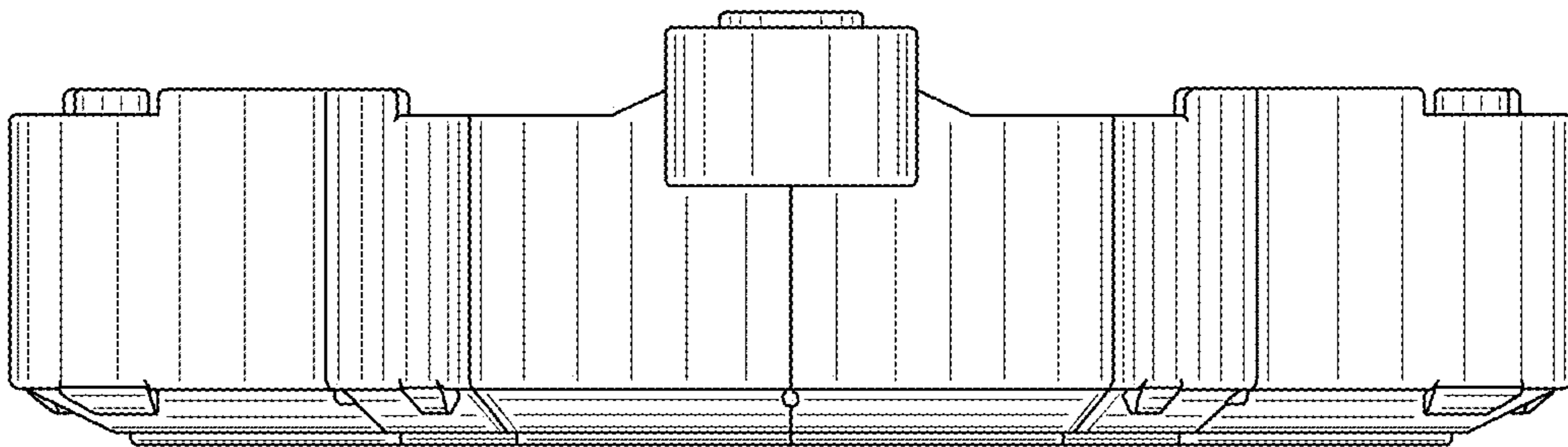


FIG. 4

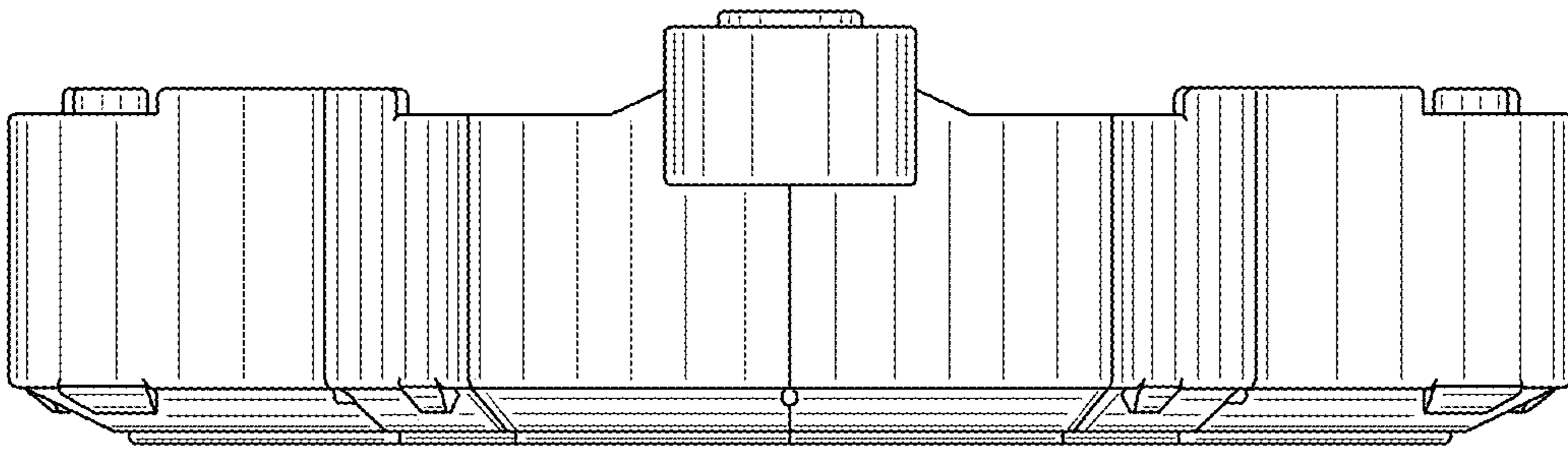


FIG. 5

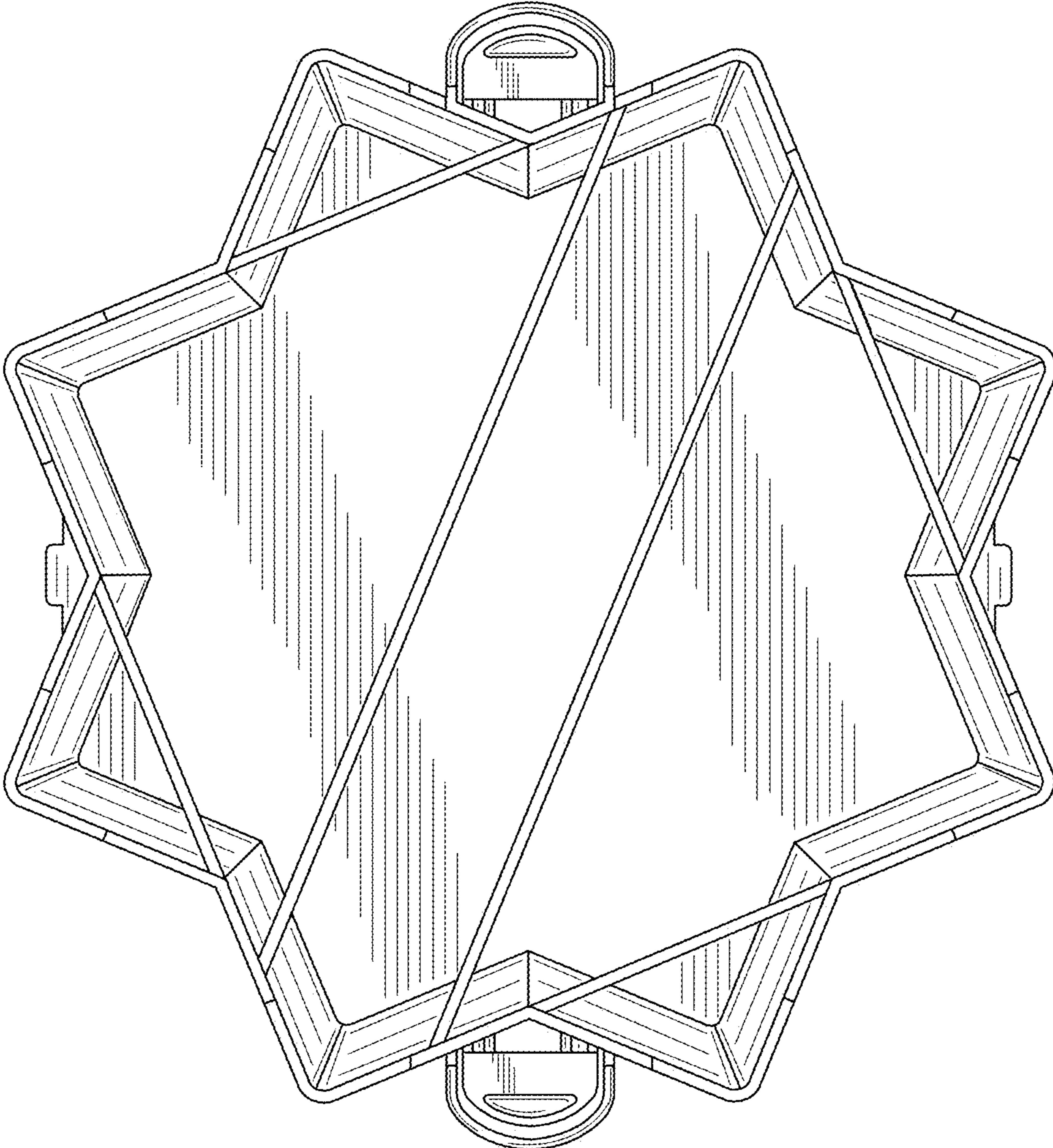


FIG. 6

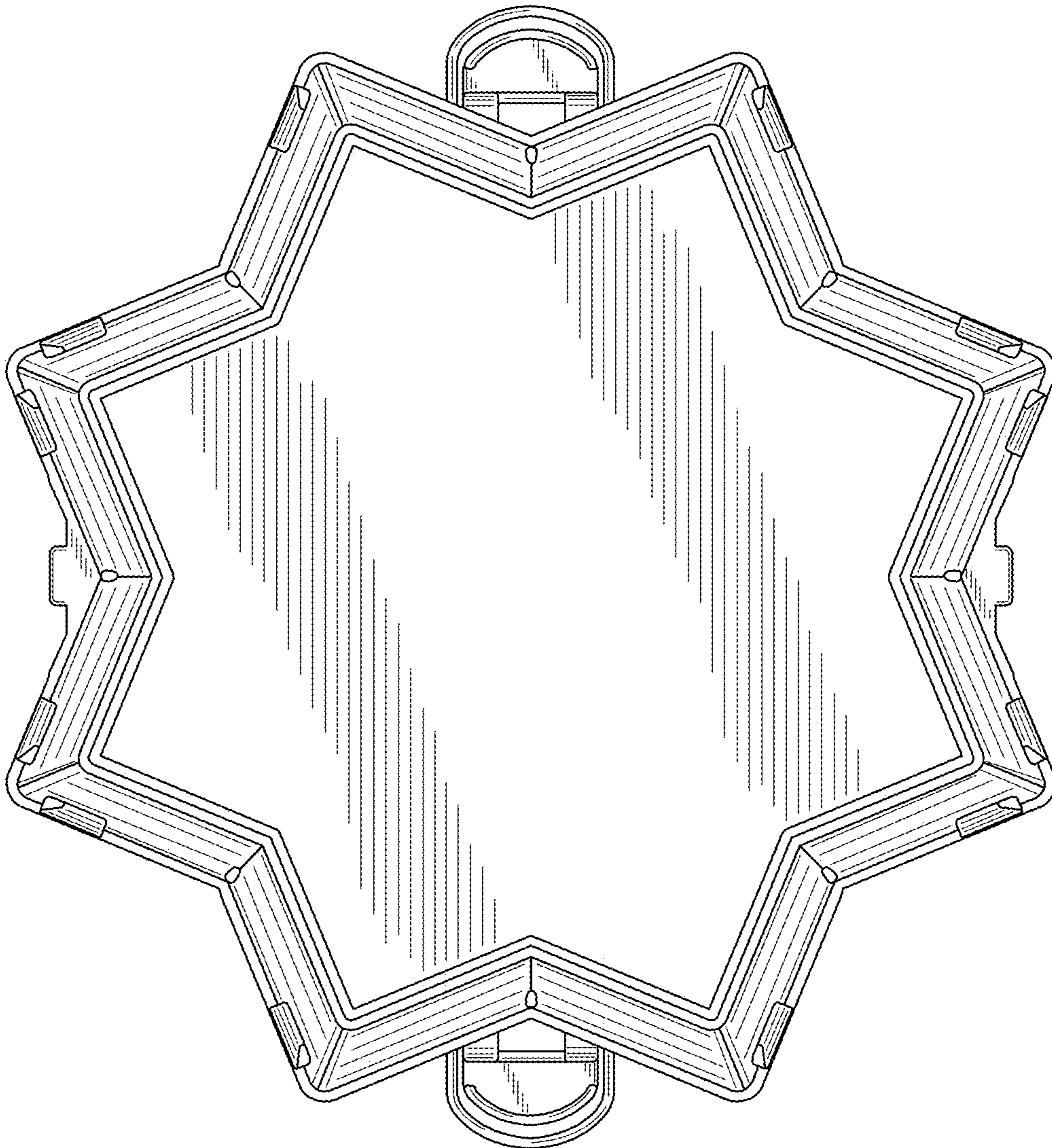


FIG. 7

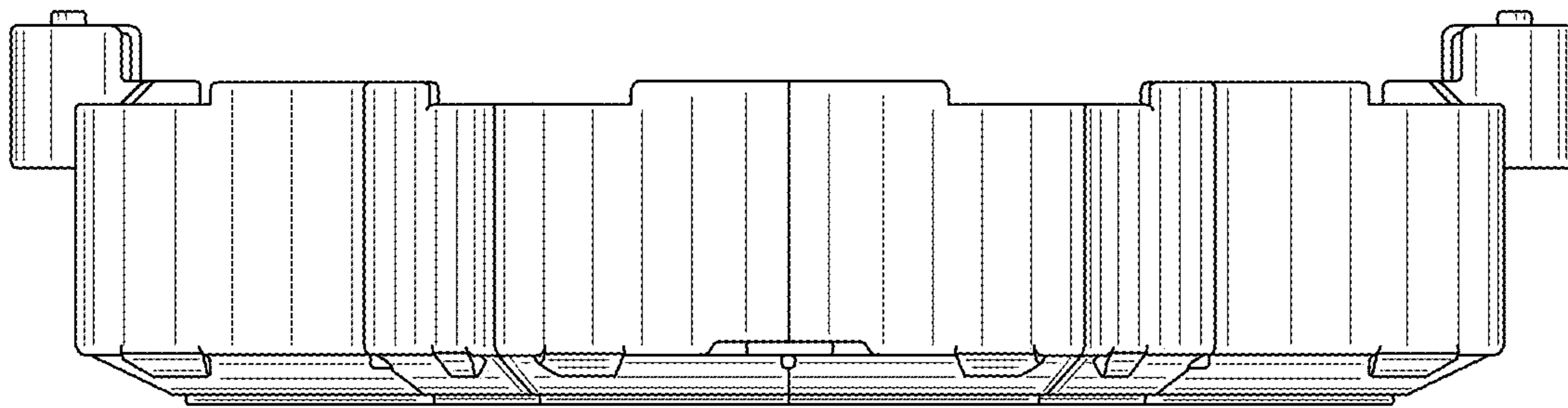


FIG. 8

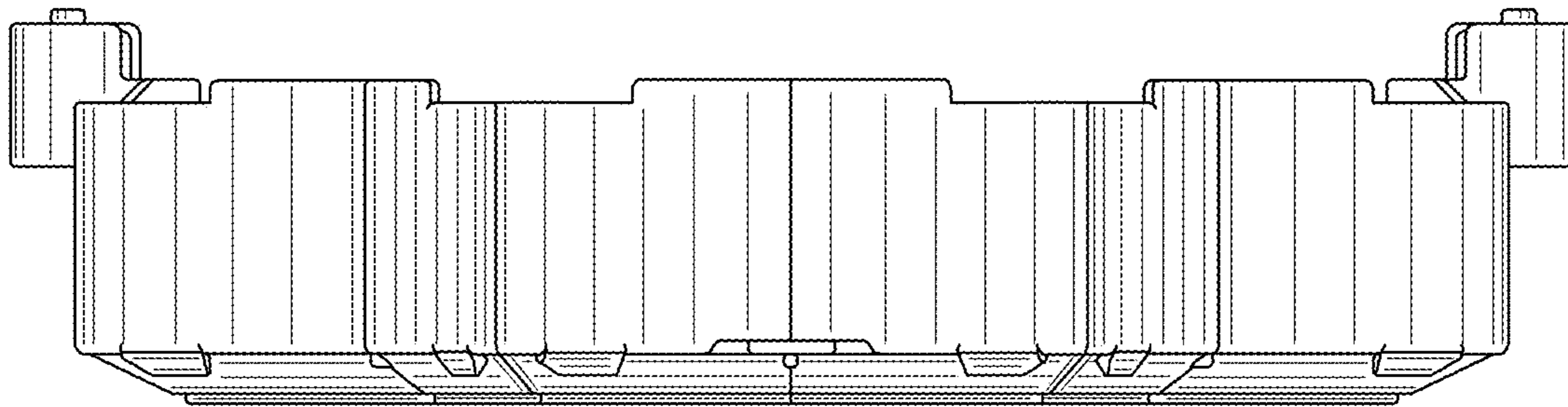


FIG. 9

