



US00D974749S

(12) **United States Design Patent**
VanHeusen

(10) **Patent No.:** **US D974,749 S**
(45) **Date of Patent:** **** Jan. 10, 2023**

(54) **HOLSTER STRAP SWIVEL BRACKET MOUNT**

(71) Applicant: **Wilder Tactical, LLC**, Gastonia, NC (US)

(72) Inventor: **Joshua VanHeusen**, Gastonia, NC (US)

(73) Assignee: **Wilder Tactical, LLC**, Gastonia, NC (US)

(**) Term: **15 Years**

(21) Appl. No.: **29/759,425**

(22) Filed: **Nov. 23, 2020**

(51) **LOC (14) Cl.** **03-01**

(52) **U.S. Cl.**
USPC **D3/222; D3/318**

(58) **Field of Classification Search**
USPC ... D3/203.1, 203.5, 215, 220–226, 228–230, D3/254, 262, 269, 303, 318, 327–328, D3/301; D22/108–109, 199
(Continued)

(56) **References Cited**

U.S. PATENT DOCUMENTS

5,421,497 A * 6/1995 Gilmore F41C 33/045 224/198
D453,068 S 1/2002 Rogers et al.
(Continued)

OTHER PUBLICATIONS

Modified UBL Drop Leg Strap with QLS Receiver, unknown first available date, wildertactical.com [online], [site visited Oct. 14, 2022], Available at URL: <https://wildertactical.com/belts/leg-straps/modified-ubl-drop-leg-strap-with-qls-receiver/> (Year: 2022).*

(Continued)

Primary Examiner — Michelle E. Wilson

Assistant Examiner — Caitlin A Laverty

(74) *Attorney, Agent, or Firm* — Kim and Lahey Law Firm, LLC; Seann P. Lahey

(57) **CLAIM**

The ornamental design for a holster strap swivel bracket mount, as shown and described.

DESCRIPTION

FIG. 1 is a front perspective view of the holster strap swivel bracket mount design on a holster support plate and with a leg strap plate;

FIG. 2 is a right side elevation view of the holster strap swivel bracket mount design on a holster support plate and with a leg strap plate;

FIG. 3 is a front perspective view of the holster strap swivel bracket mount design;

FIG. 4 is a rear perspective view of the holster strap swivel bracket mount design;

FIG. 5 is a front elevation view of the holster strap swivel bracket mount design;

FIG. 6 is a rear elevation view of the holster strap swivel bracket mount design;

FIG. 7 is a right side elevation view of the holster strap swivel bracket mount design;

FIG. 8 is a left side elevation view of the holster strap swivel bracket mount design;

FIG. 9 is a top plan view of the holster strap swivel bracket mount design;

FIG. 10 is a bottom plan view of the holster strap swivel bracket mount design;

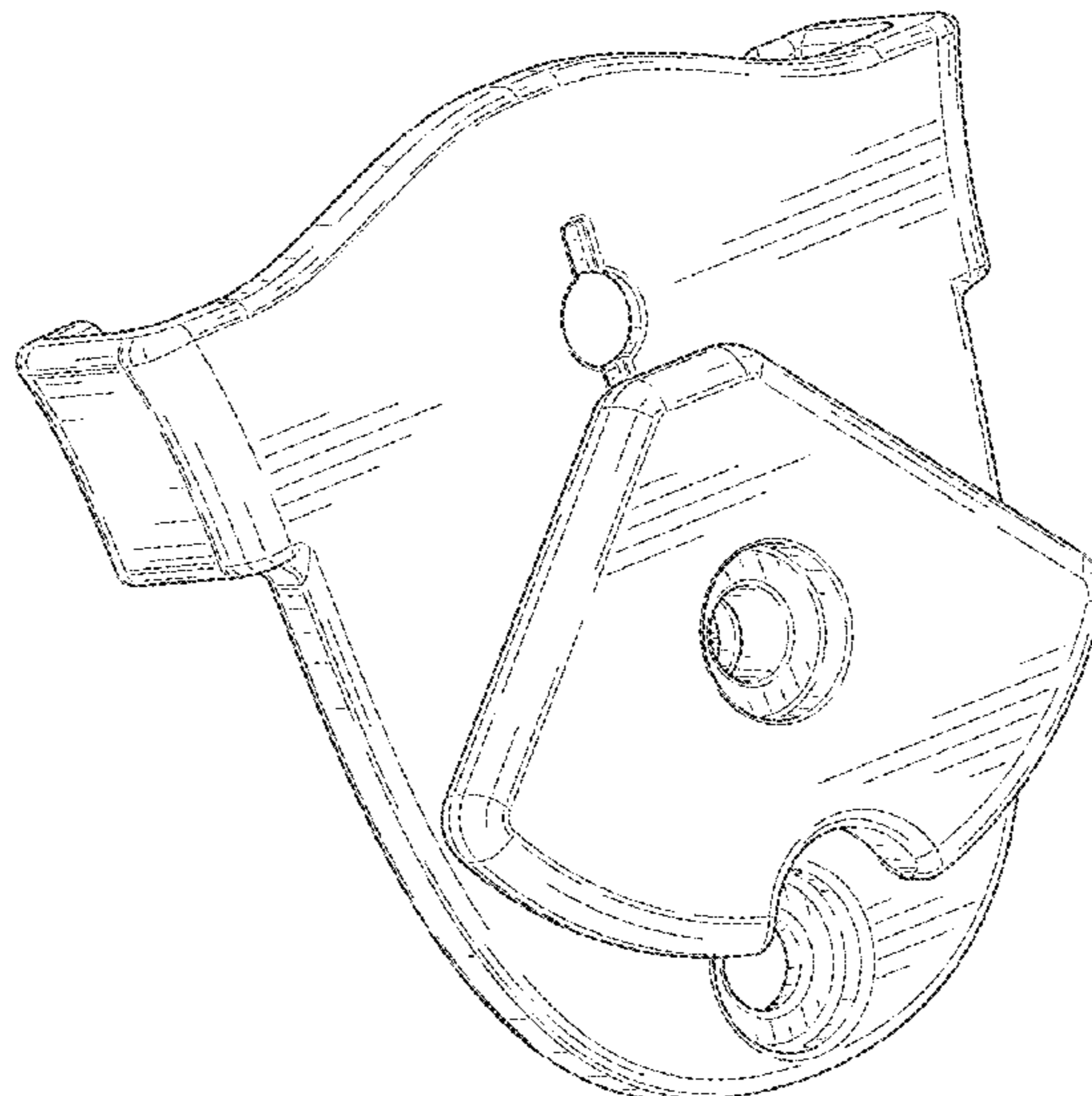
FIG. 11 is a front perspective view of an alternative position of the holster strap swivel bracket mount design;

FIG. 12 is a front perspective exploded view of the holster strap swivel bracket mount design; and,

FIG. 13 is a rear perspective exploded view of the holster strap swivel bracket mount design.

The broken lines in the drawings depicting a holster support plate and leg strap plate form no part of the claimed design.

1 Claim, 10 Drawing Sheets



(58) **Field of Classification Search**
 CPC A45F 5/02; A45F 5/021; F41C 33/0227;
 F41C 33/0254; F41C 33/0263; F41C
 33/048; F41C 33/0209; F41C 33/045;
 F41C 33/041; F41C 33/002
 See application file for complete search history.

(56) **References Cited**

U.S. PATENT DOCUMENTS

6,588,640	B1	7/2003	Rogers et al.	
D507,104	S *	7/2005	Gregory	D3/222
D508,318	S *	8/2005	Gregory	D3/222
D567,707	S *	4/2008	Yeates	D11/200
7,819,370	B2 *	10/2010	Ho	F16B 45/00 24/580.11
7,927,076	B1 *	4/2011	Bucher	F04D 25/088 416/207
8,469,245	B2	6/2013	Gregory et al.	
D747,870	S	1/2016	McKendrick et al.	
9,841,255	B2	12/2017	Koskan et al.	
D860,642	S *	9/2019	Dara	D3/222

D930,356	S *	9/2021	Eremita	D3/218
D954,546	S *	6/2022	Smith	D8/382
D965,983	S *	10/2022	Coolens	D3/318
D966,699	S *	10/2022	You	D3/222
2005/0178808	A1 *	8/2005	Buis	F41C 33/043 224/198
2019/0219358	A1 *	7/2019	Rogers	F41C 33/045
2019/0219359	A1 *	7/2019	Rogers	A45F 5/021
2022/0341705	A1 *	10/2022	Hatcher	F41C 33/04

OTHER PUBLICATIONS

UBL Leg Strap Assembly, unknown first available date, wildertactical.com [online], [site visited Oct. 14, 2022], Available at URL: <https://wildertactical.com/belts-accessories/leg-straps/ubl-leg-strap/> (Year: 2022).*

QUBL/VUBL Leg Strap Assembly, unknown first available date, wildertactical.com [online], [site visited Oct. 14, 2022], Available at URL: <https://wildertactical.com/belts/leg-straps/qubl-vubl-leg-strap/> (Year: 2022).*

* cited by examiner

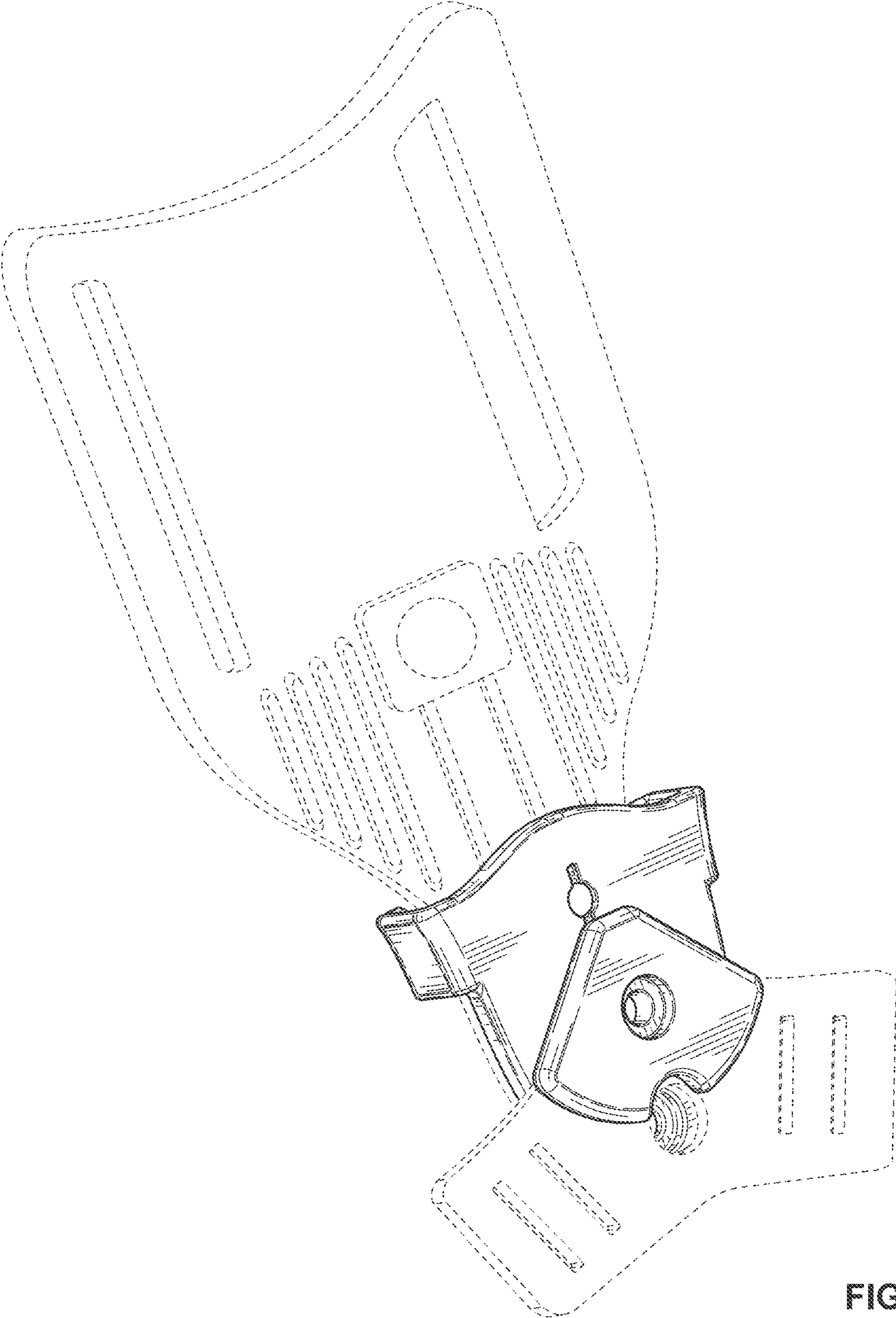


FIG. 1

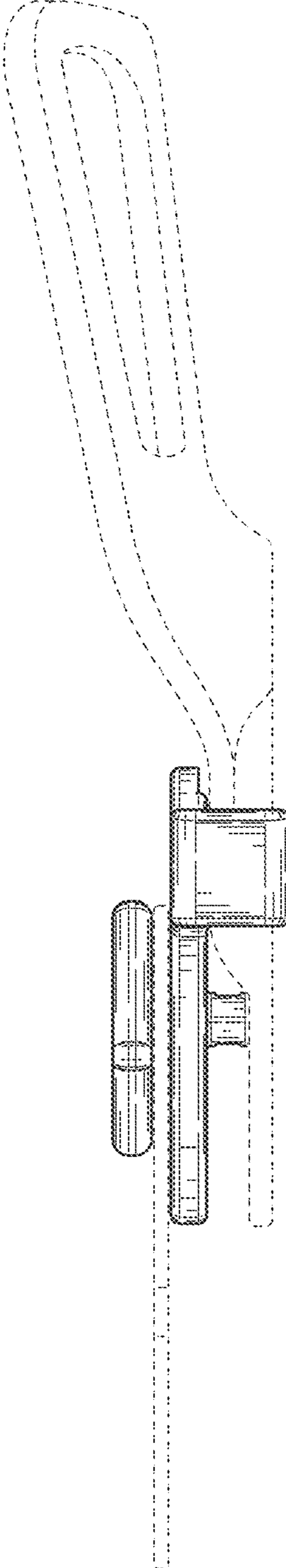


FIG. 2

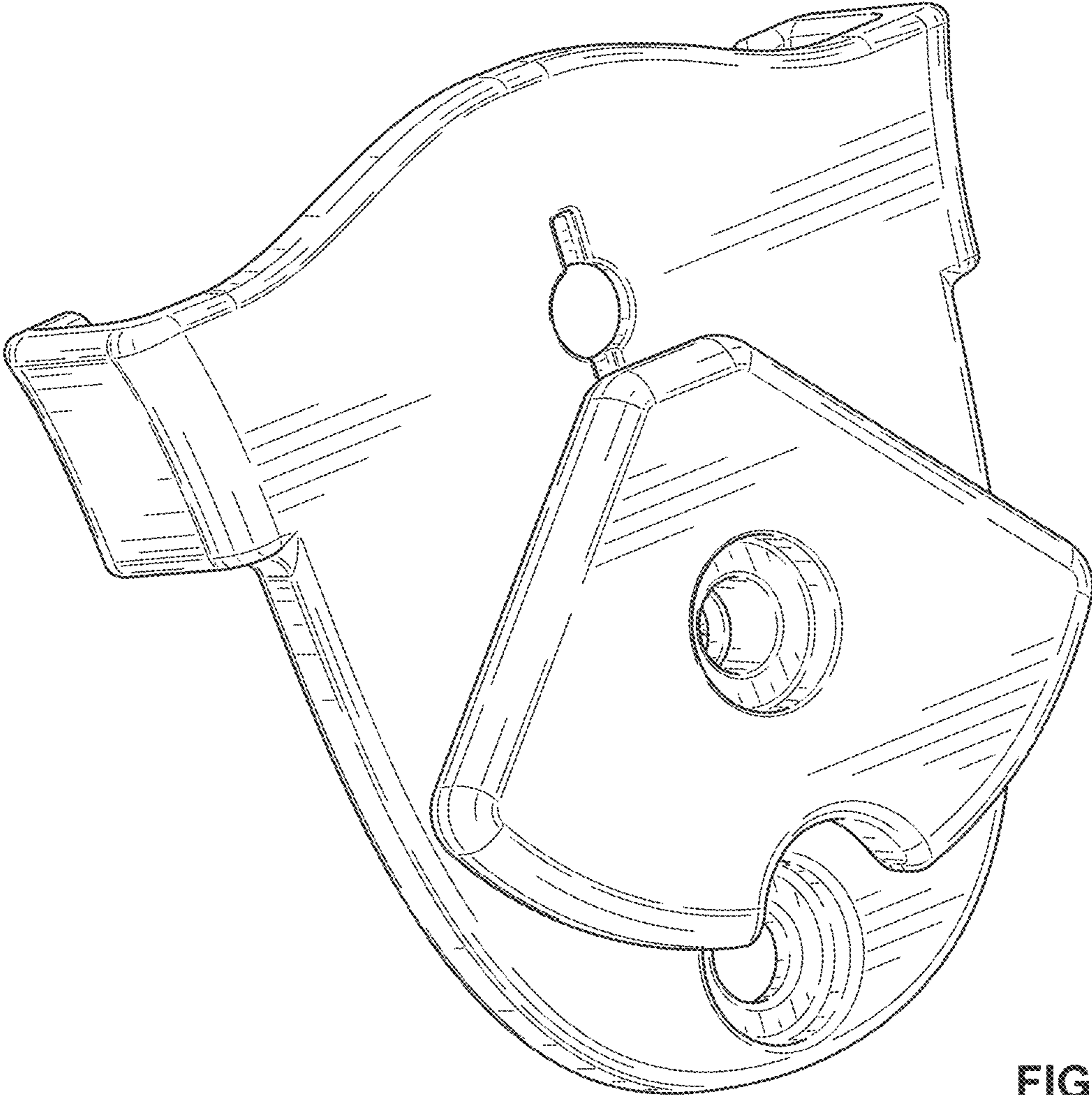


FIG. 3

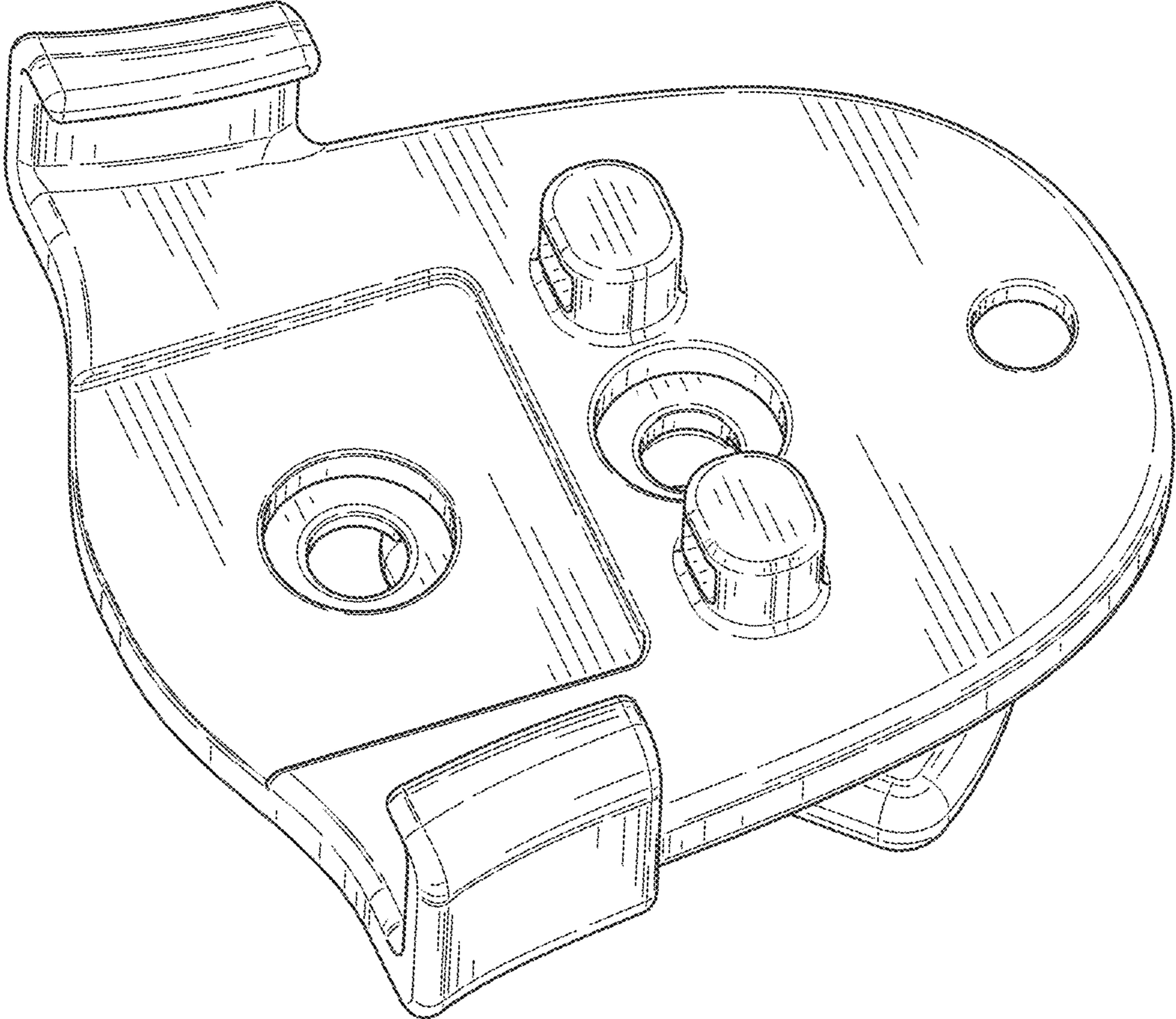


FIG. 4

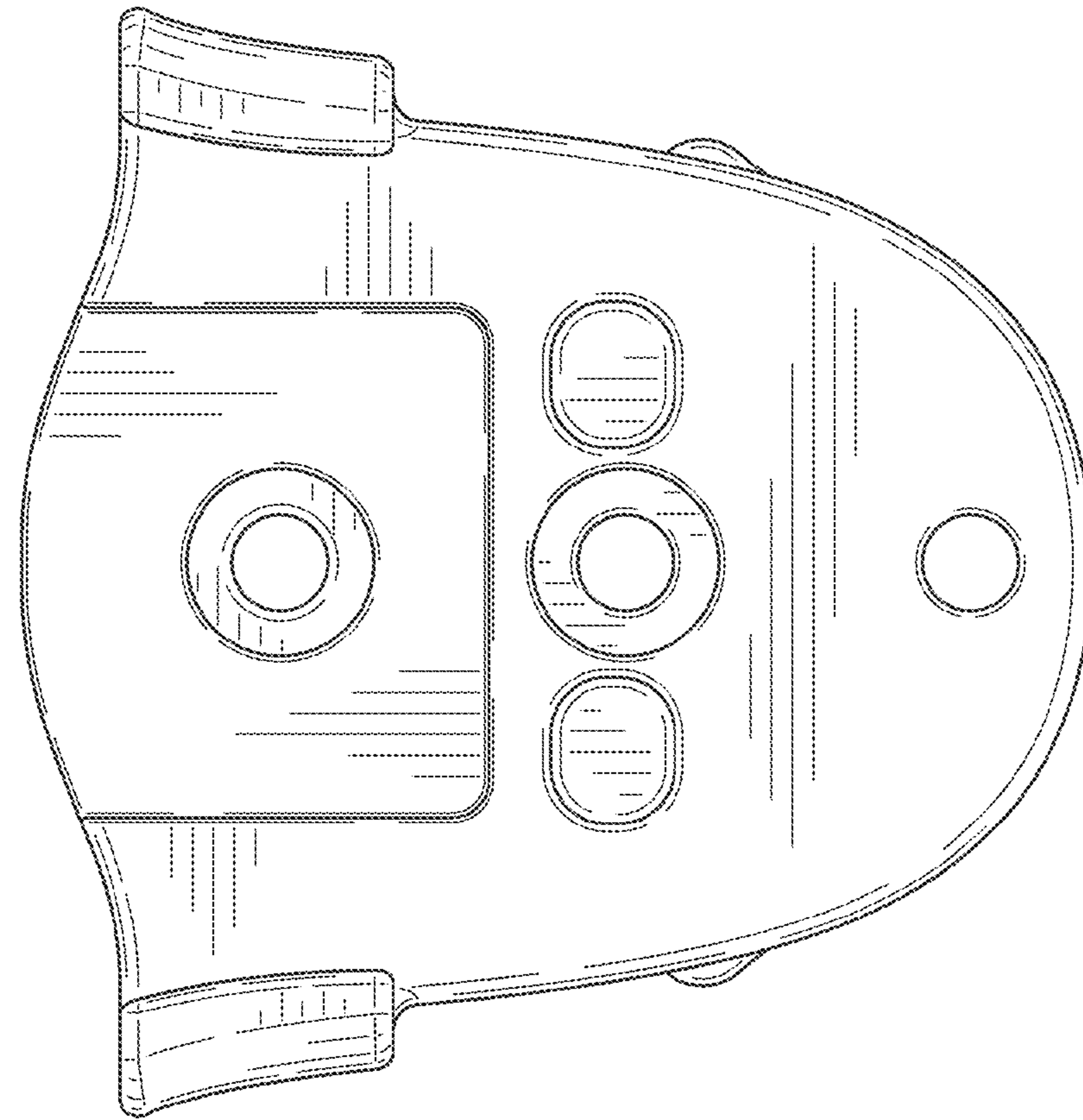


FIG. 5

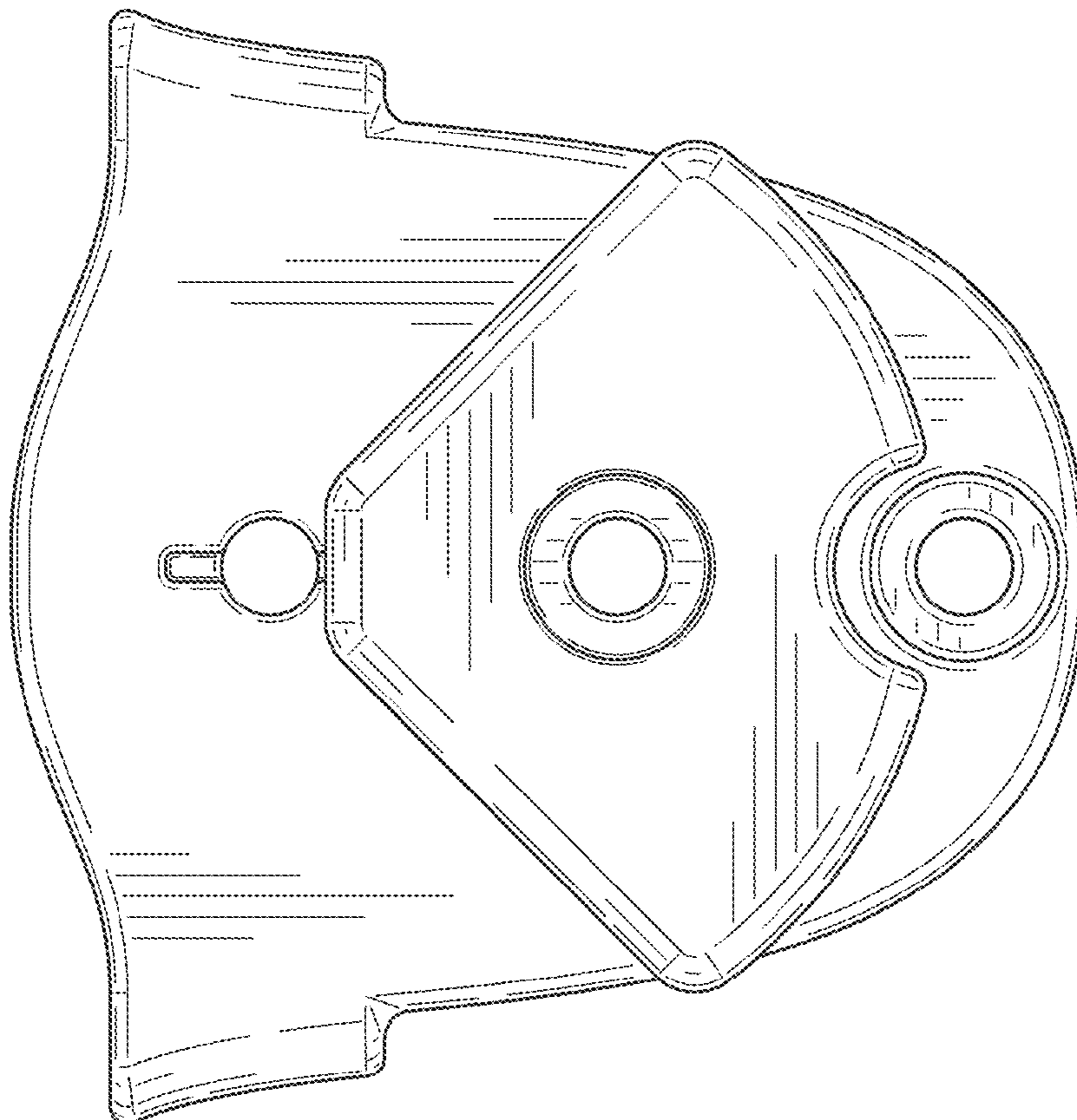


FIG. 6

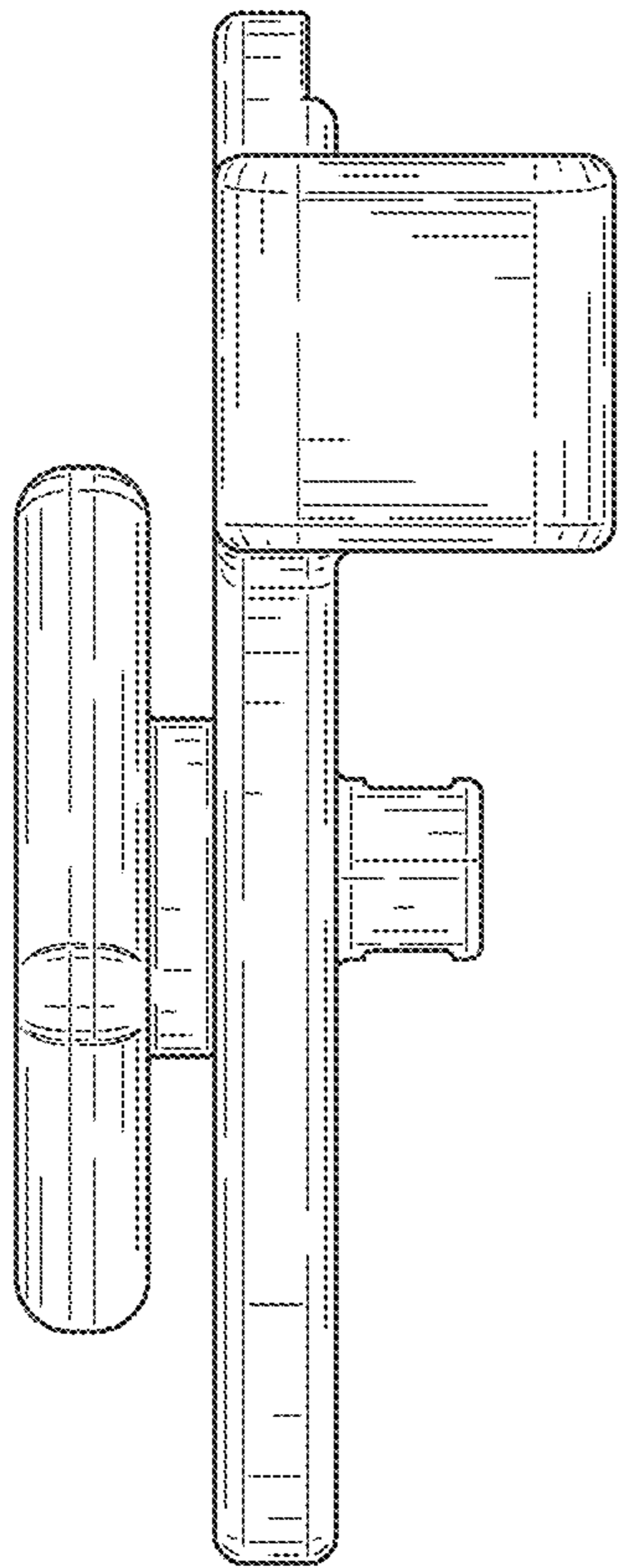


FIG. 7

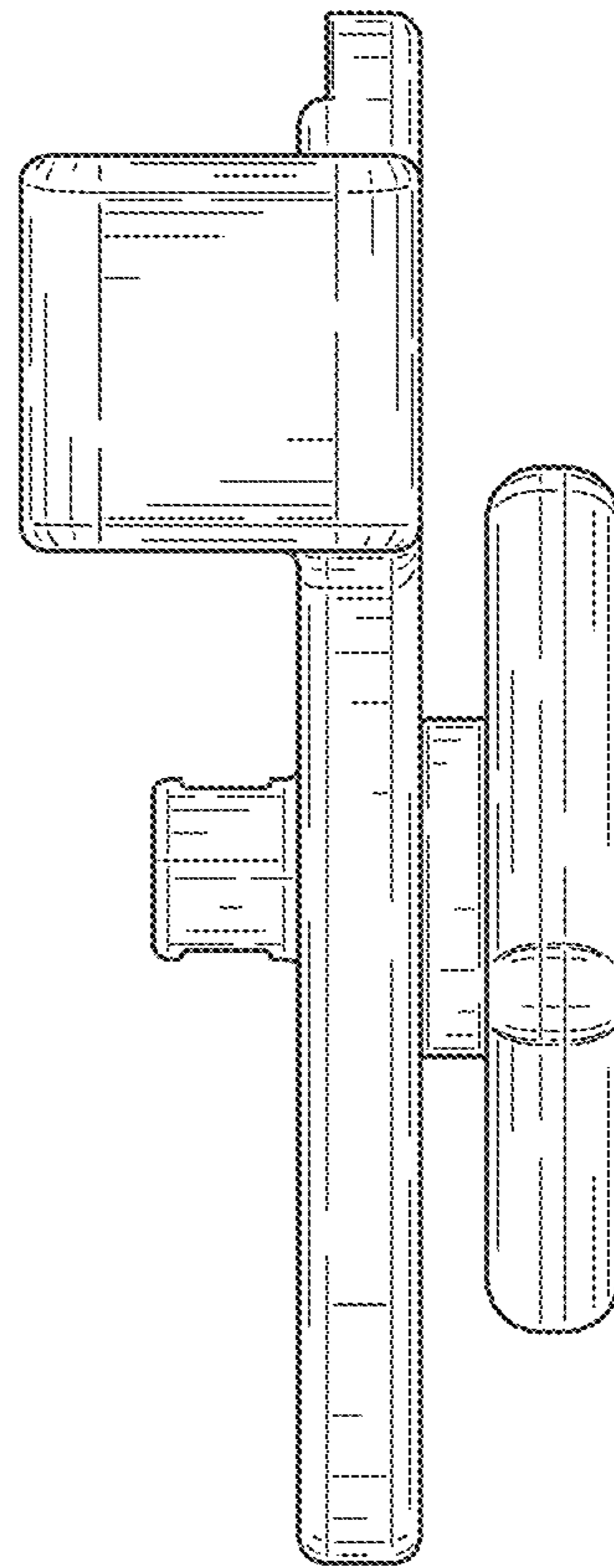


FIG. 8

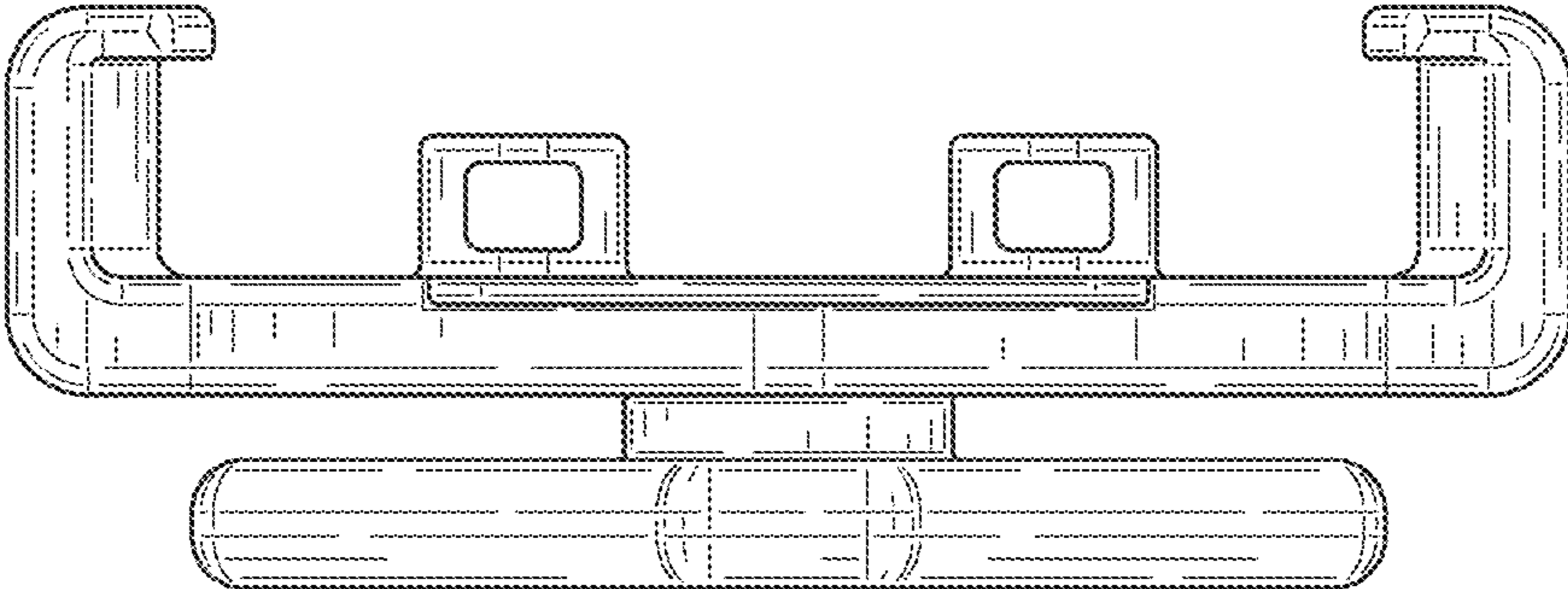


FIG. 9

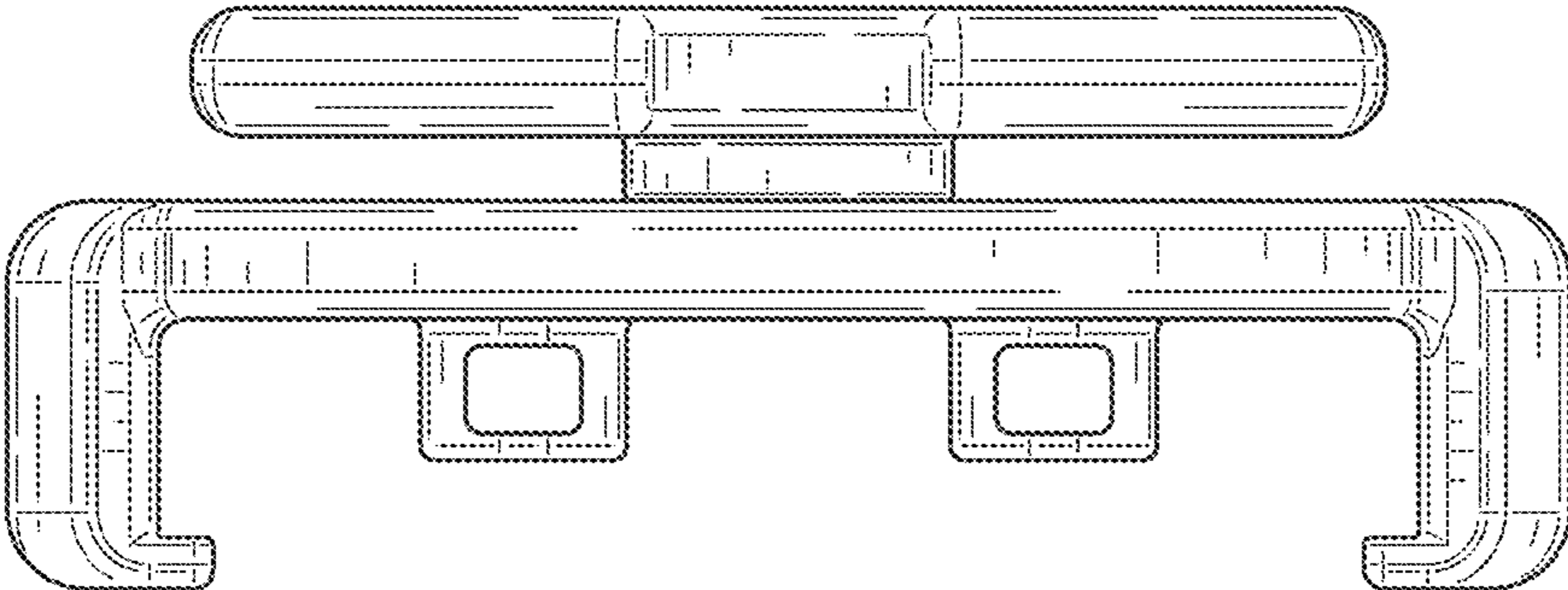


FIG. 10

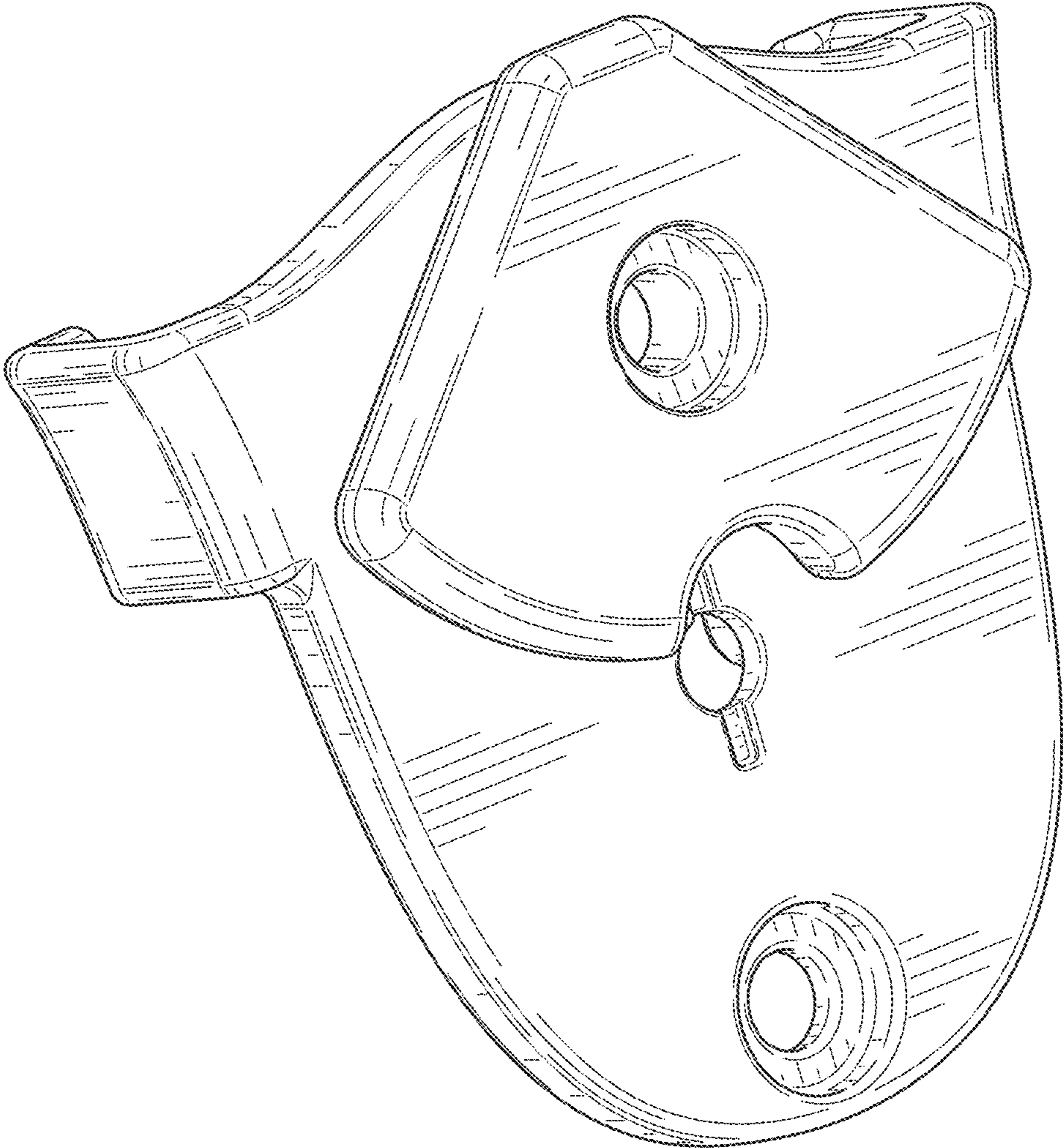


FIG. 11

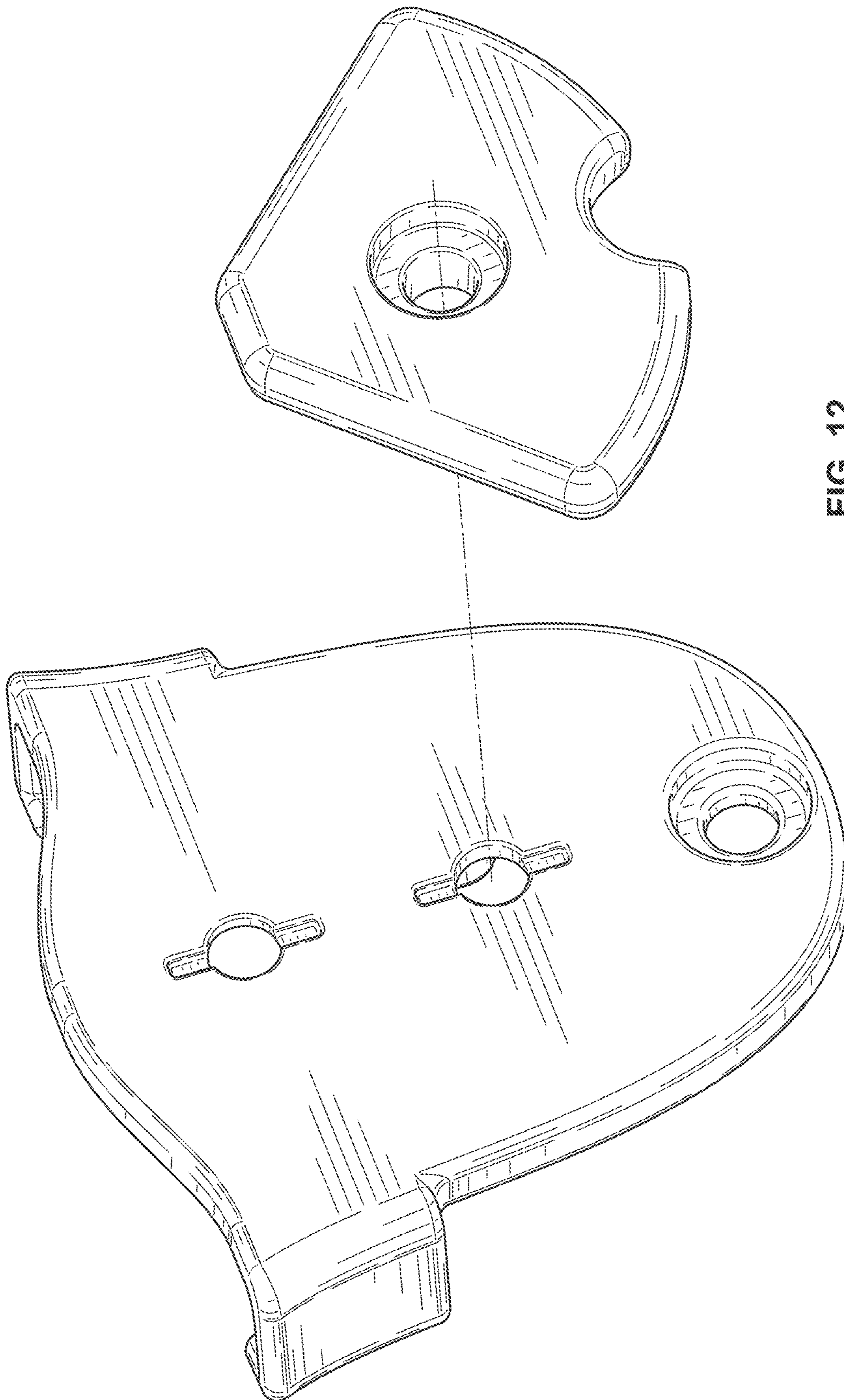


FIG. 12

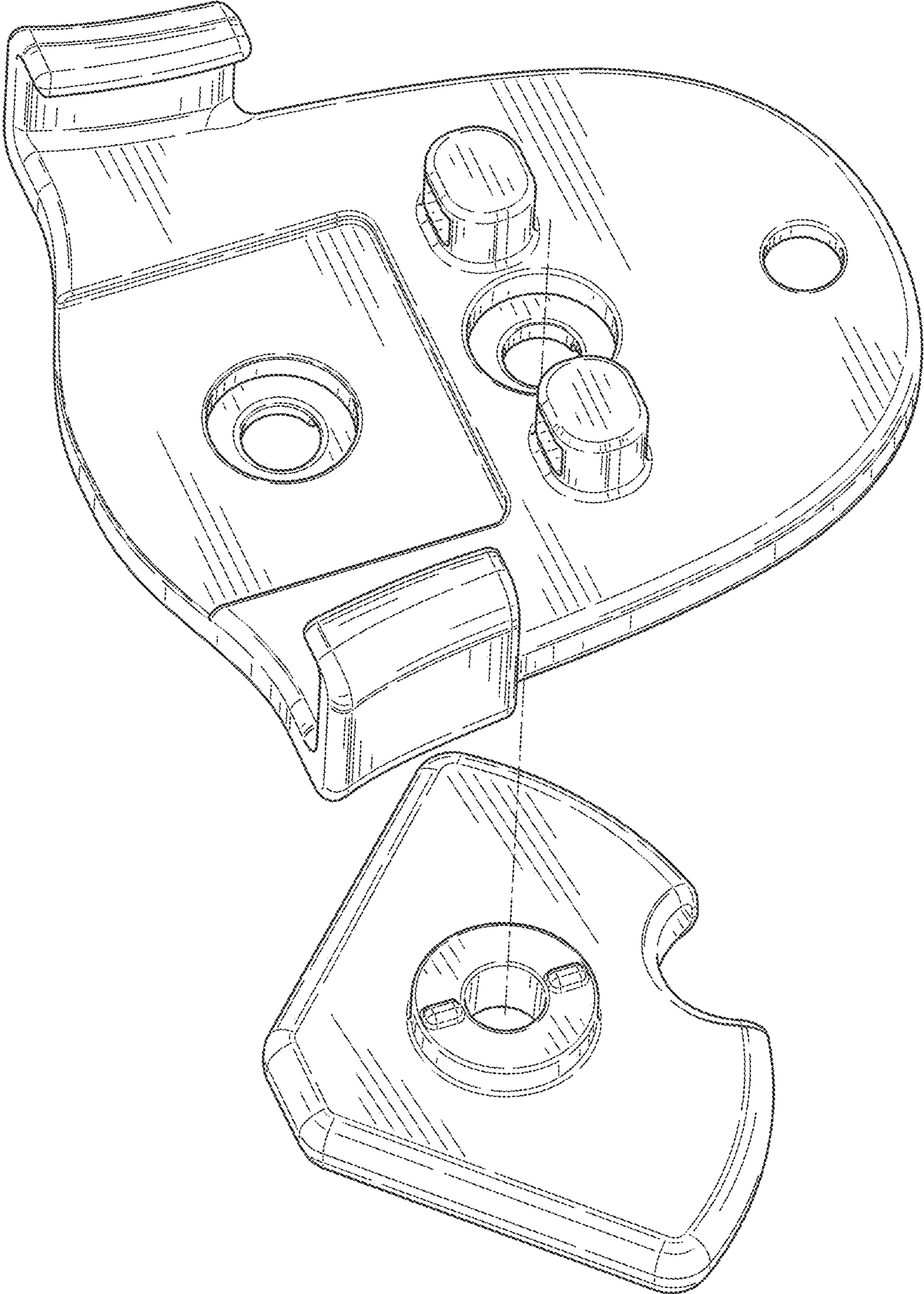


FIG. 13