



US00D974748S

(12) **United States Design Patent**  
**Somisetty et al.**

(10) **Patent No.:** **US D974,748 S**  
(45) **Date of Patent:** **\*\* Jan. 10, 2023**

(54) **SELF-RETRACTING DEVICE**  
(71) Applicants: **Sreedhar Babu Somisetty**, Fresno, CA (US); **Pavana Kumara Somisetty**, Fresno, CA (US)  
(72) Inventors: **Sreedhar Babu Somisetty**, Fresno, CA (US); **Pavana Kumara Somisetty**, Fresno, CA (US)

D897,824 S \* 10/2020 Lewis ..... D8/356  
D907,919 S \* 1/2021 Mayer ..... D3/273  
D916,460 S \* 4/2021 Xu ..... D3/273  
D931,207 S \* 9/2021 Briggs ..... D3/294  
D937,225 S \* 11/2021 Choi ..... D13/155  
2007/0020993 A1\* 1/2007 Symons ..... B65H 75/14  
439/501  
2017/0001769 A1\* 1/2017 Solland ..... B65H 75/4471  
2018/0277988 A1\* 9/2018 Bailey ..... B65H 75/40

\* cited by examiner

(\*\*) Term: **15 Years**  
(21) Appl. No.: **29/672,771**

Primary Examiner — Mary Shannon Malley  
(74) Attorney, Agent, or Firm — Quickpatents, LLC; Kevin Prince

(22) Filed: **Dec. 9, 2018**  
(51) **LOC (14) Cl.** ..... **03-01**  
(52) **U.S. Cl.**  
USPC ..... **D3/218; D8/356**  
(58) **Field of Classification Search**  
USPC ..... D3/232, 239, 240, 242, 294, 273, 276,  
D3/279, 281, 282, 270, 271.1–271.4,  
D3/271.6, 271.11, 271.12, 201, 215, 218,  
D3/274, 318; D14/205, 206, 223, 224,  
D14/447; D13/133, 153, 154; D8/356,  
D8/358  
CPC ..... B65H 2701/3919; B65H 2701/533; B65H  
75/40; A45C 2011/001  
See application file for complete search history.

(57) **CLAIM**

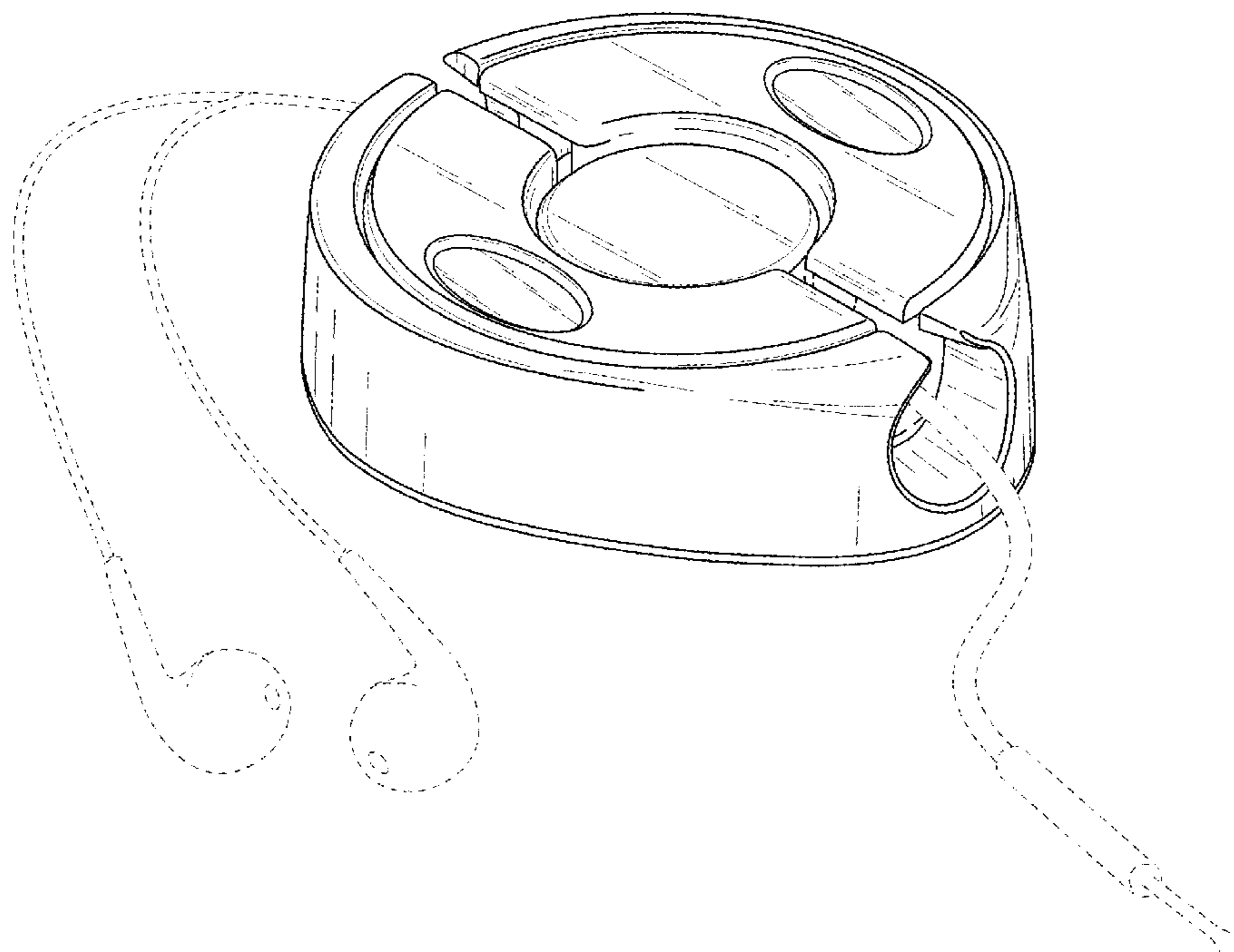
The ornamental design for a self-retracting device, as shown and described.

**DESCRIPTION**

FIG. 1 is a perspective view of a self-retracting device, showing our new design;  
FIG. 2 is a front elevational view thereof;  
FIG. 3 is a rear elevational view thereof;  
FIG. 4 is a left-side elevational view thereof, the right-side elevational view being a mirror image thereof;  
FIG. 5 is a top plan view thereof; and,  
FIG. 6 is a bottom plan view thereof.  
The broken lines showing an earbud cable in FIG. 1 depict environmental matter and form no part of the claimed design. The remaining broken lines depict portions of the self-retracting cable storage device that form no part of the claimed design.

(56) **References Cited**  
U.S. PATENT DOCUMENTS  
D505,859 S \* 6/2005 Suzuki ..... D8/358  
D557,682 S \* 12/2007 Oas ..... D8/356  
D591,678 S \* 5/2009 Whitley ..... D13/133  
D691,032 S \* 10/2013 Chen ..... D8/396  
D886,093 S \* 6/2020 Dubanowich ..... D8/356

**1 Claim, 3 Drawing Sheets**



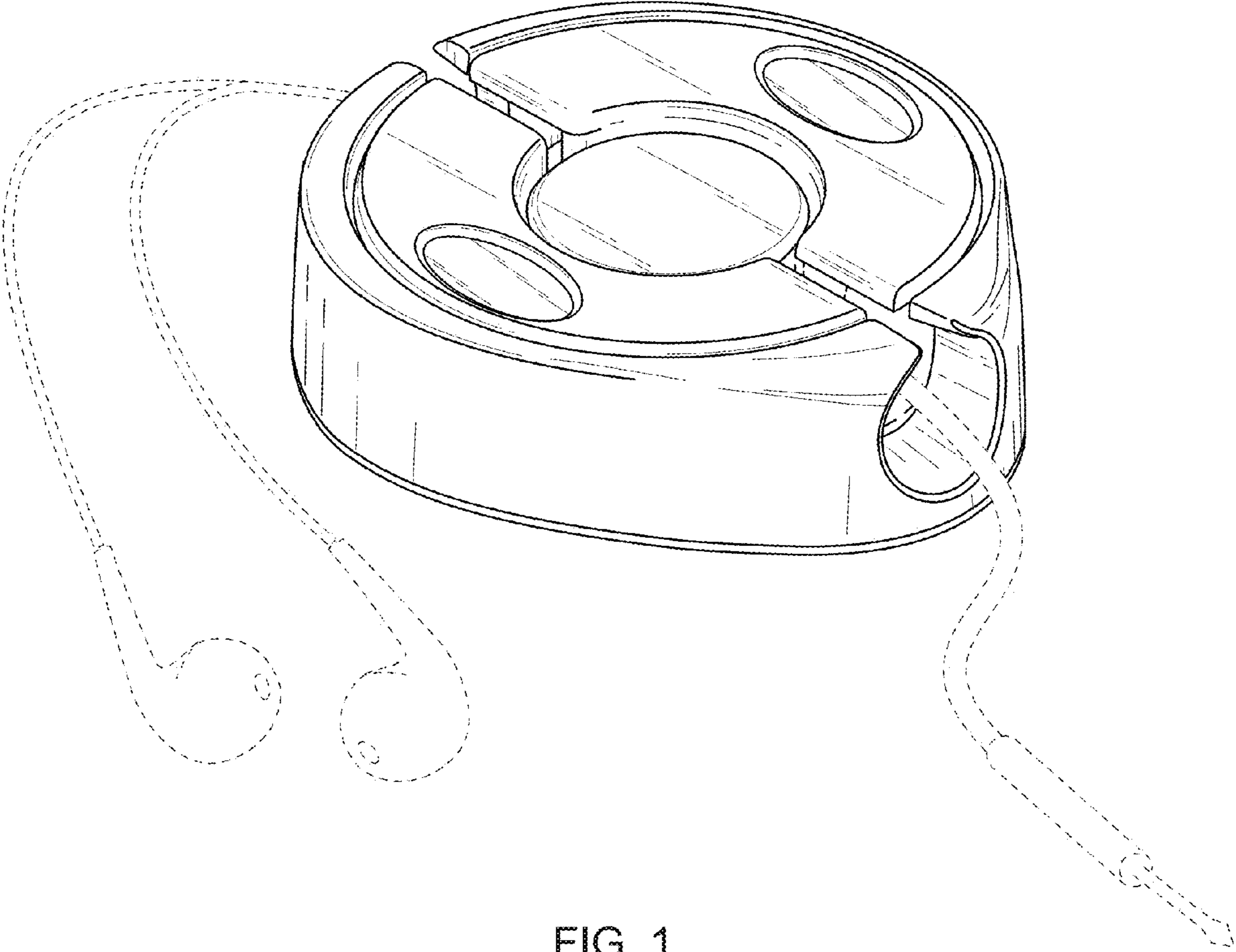


FIG. 1

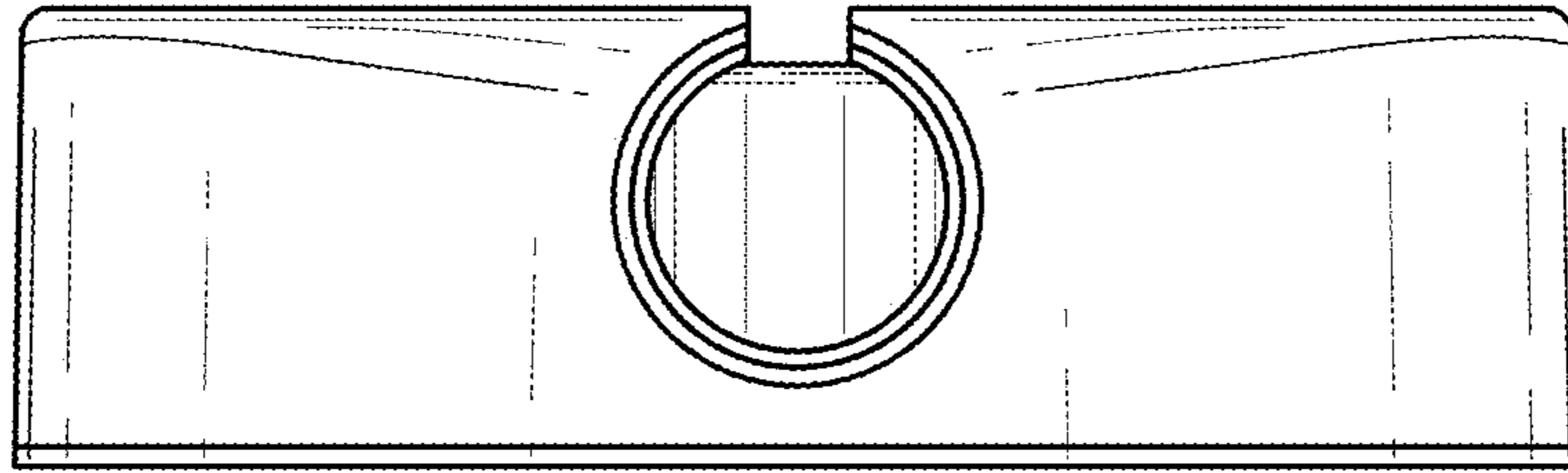


FIG. 2

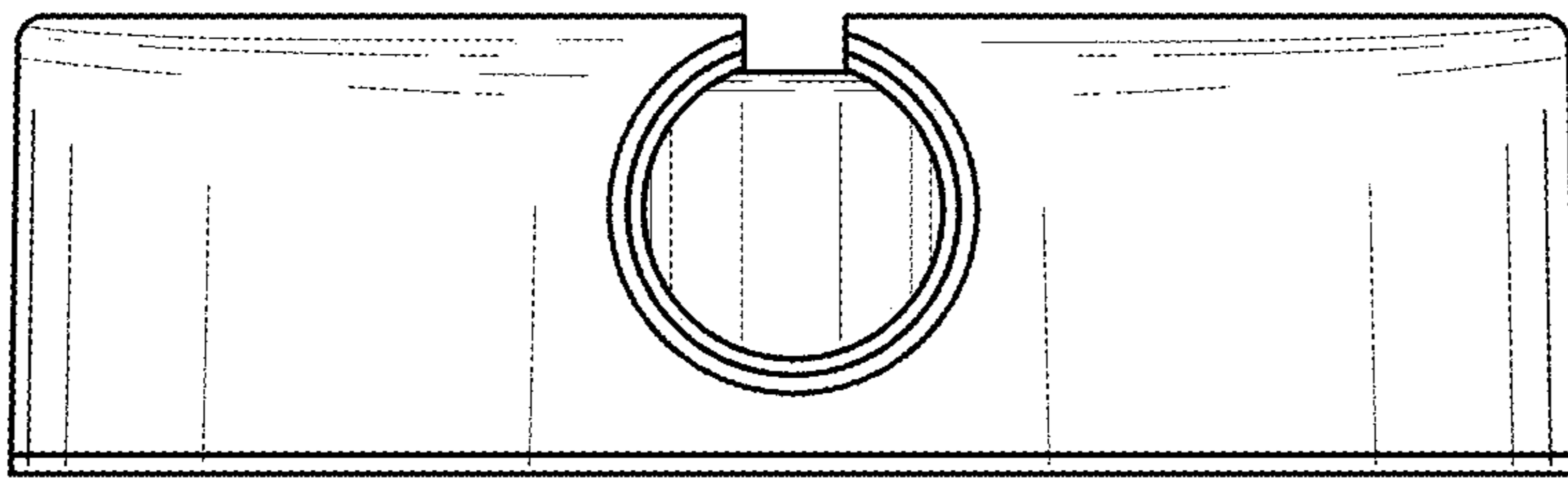


FIG. 3

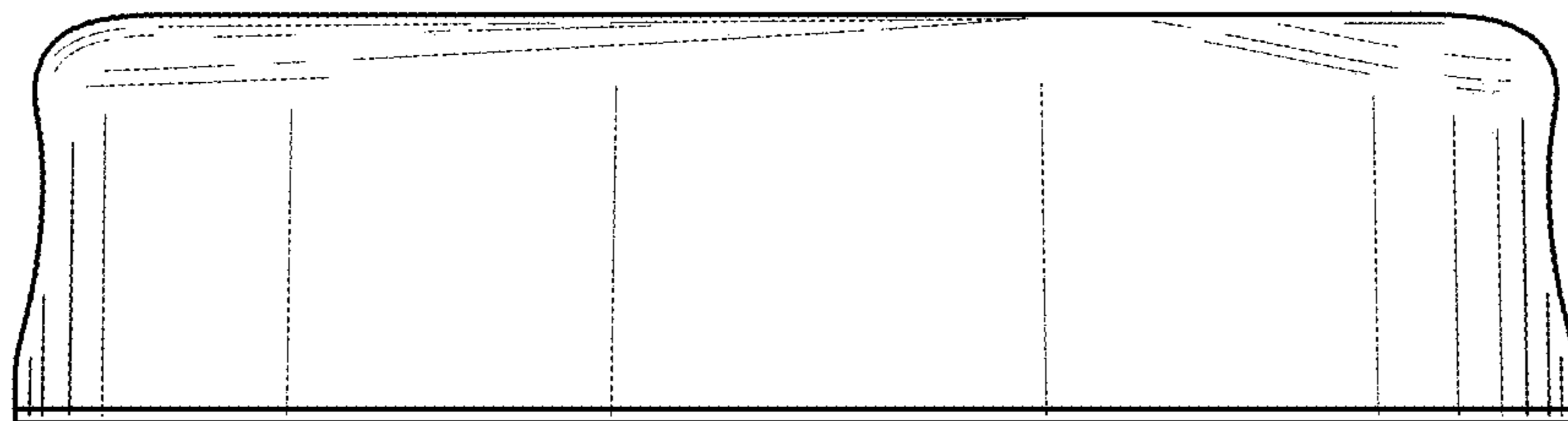


FIG. 4

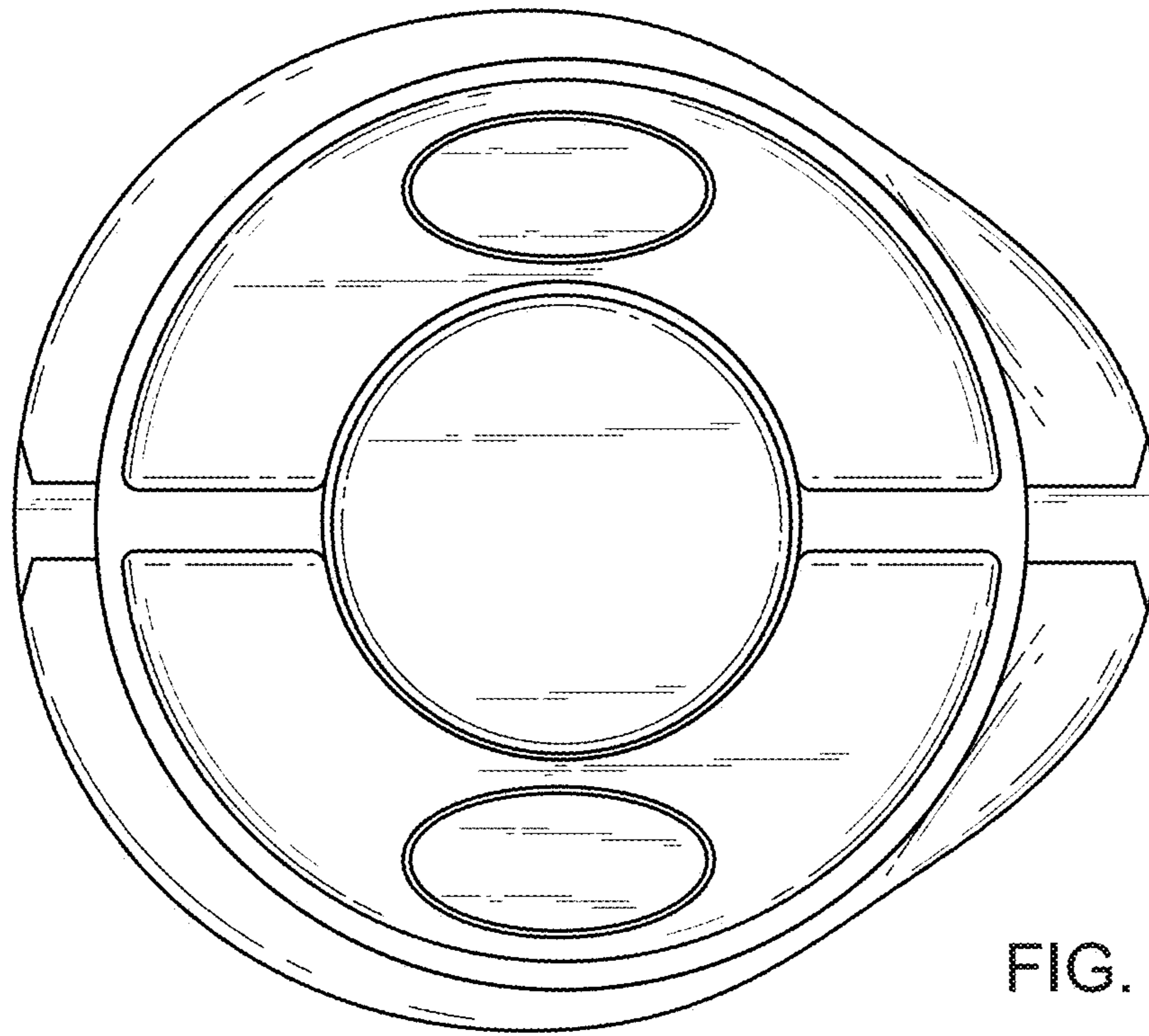


FIG. 5

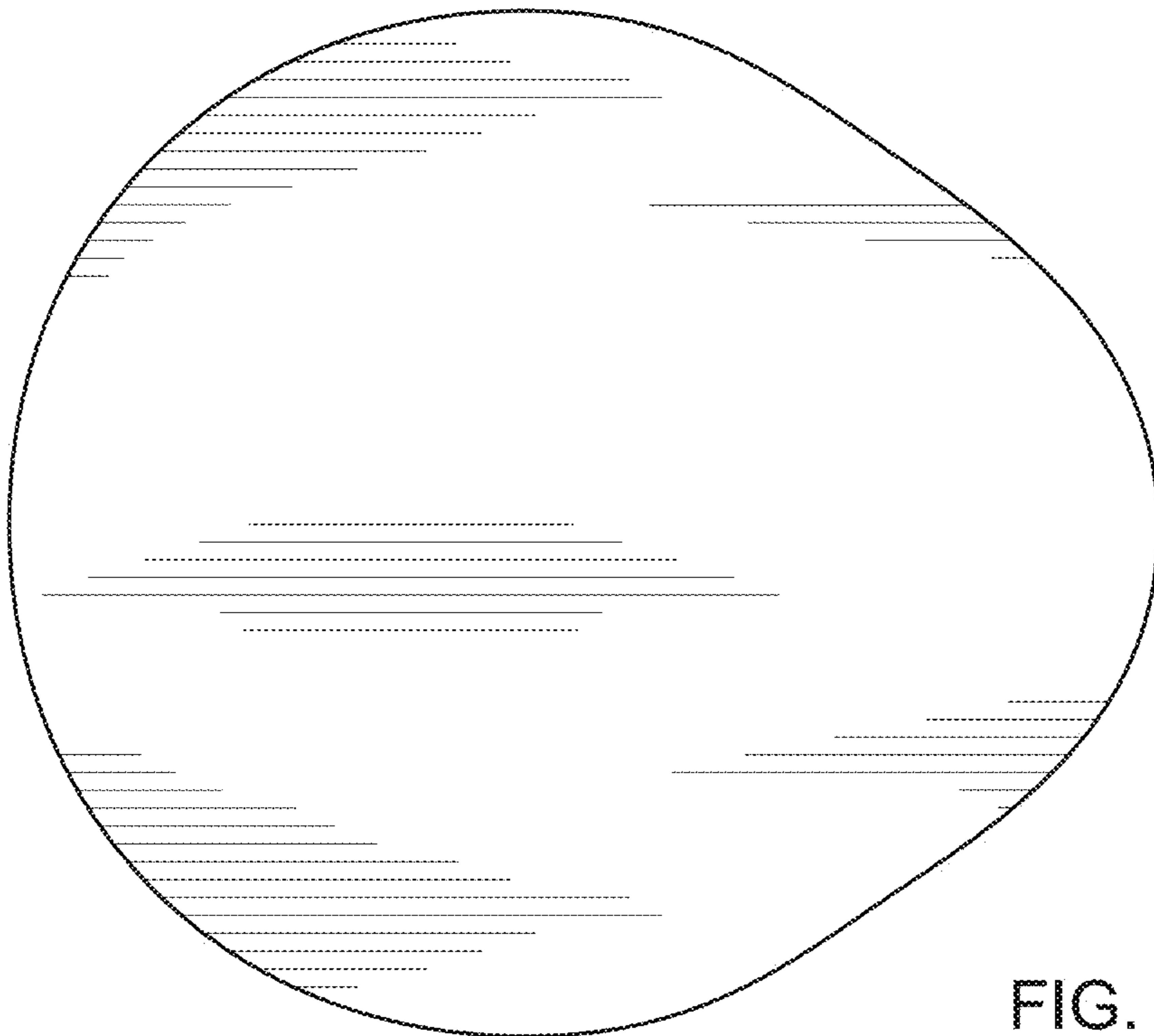


FIG. 6