



US00D974747S

(12) **United States Design Patent** (10) **Patent No.:** **US D974,747 S**
He (45) **Date of Patent:** **** Jan. 10, 2023**

(54) **CHEST BAG**
(71) Applicant: **Mini Cat (Shenzhen) Trading Co., Ltd.**, Shenzhen (CN)
(72) Inventor: **Tao He**, Guangzhou (CN)
(73) Assignee: **Mini Cat (Shenzhen) Trading Co., Ltd.**, Shenzhen (CN)
(**) Term: **15 Years**
(21) Appl. No.: **29/838,222**
(22) Filed: **May 11, 2022**
(51) **LOC (14) Cl.** **03-01**
(52) **U.S. Cl.**
USPC **D3/217**
CPC **A45F 3/04 (2013.01)**
(58) **Field of Classification Search**
USPC D3/201, 213–219, 221, 224, 225, 229,
D3/230, 232, 243–246, 254, 318
CPC A45F 3/04; A45F 3/02; A45F 4/02; F41C
33/048; F41H 1/02; F41B 15/02
See application file for complete search history.

(56) **References Cited**

U.S. PATENT DOCUMENTS

D315,825 S * 4/1991 Hutton D3/217
D362,751 S * 10/1995 Kopel D3/249
5,564,539 A * 10/1996 Duensing A45C 7/0077
190/103
D425,698 S * 5/2000 Paul D3/217
D429,564 S * 8/2000 Carver
D431,903 S * 10/2000 Worley D3/232
D481,203 S * 10/2003 Vazquez D3/232
D516,813 S * 3/2006 Tortorella D3/301
D550,449 S * 9/2007 Gossett D3/217
D668,043 S * 10/2012 Quehl D3/246
D668,044 S * 10/2012 Quehl D3/246
D699,032 S * 2/2014 BenDavid D3/217
D703,946 S * 5/2014 Tweedie D3/217

D713,138 S 9/2014 Saunders et al.
9,775,425 B2 * 10/2017 Bruffey A45C 13/30
D802,913 S * 11/2017 Tien D3/217
D808,162 S * 1/2018 Viger D3/267
D811,727 S * 3/2018 Quehl D3/217
10,051,945 B1 * 8/2018 Pomare A45F 3/02
D838,105 S * 1/2019 Montalto D3/244
D841,317 S * 2/2019 Botha D3/217
D865,355 S * 11/2019 Benzon D3/217
D876,081 S * 2/2020 Dumas D3/217
D893,169 S * 8/2020 Jais D3/217
D893,861 S * 8/2020 Dyk D3/217
D893,862 S * 8/2020 Dyk D3/217
D894,602 S * 9/2020 Dyk D3/301
D901,882 S * 11/2020 Tan D3/232
D917,159 S * 4/2021 Burkett D3/217
D938,164 S * 12/2021 Orciani A45C 1/00
D3/217
D946,885 S * 3/2022 Bi D3/217
D949,562 S * 4/2022 Strippoli D3/319
D963,331 S * 9/2022 Brataas A45C 15/00
D3/217
D968,072 S * 11/2022 Yang D3/216
2002/0139820 A1 * 10/2002 Godshaw A45F 4/02
224/655

(Continued)

Primary Examiner — Richard E Chilcot

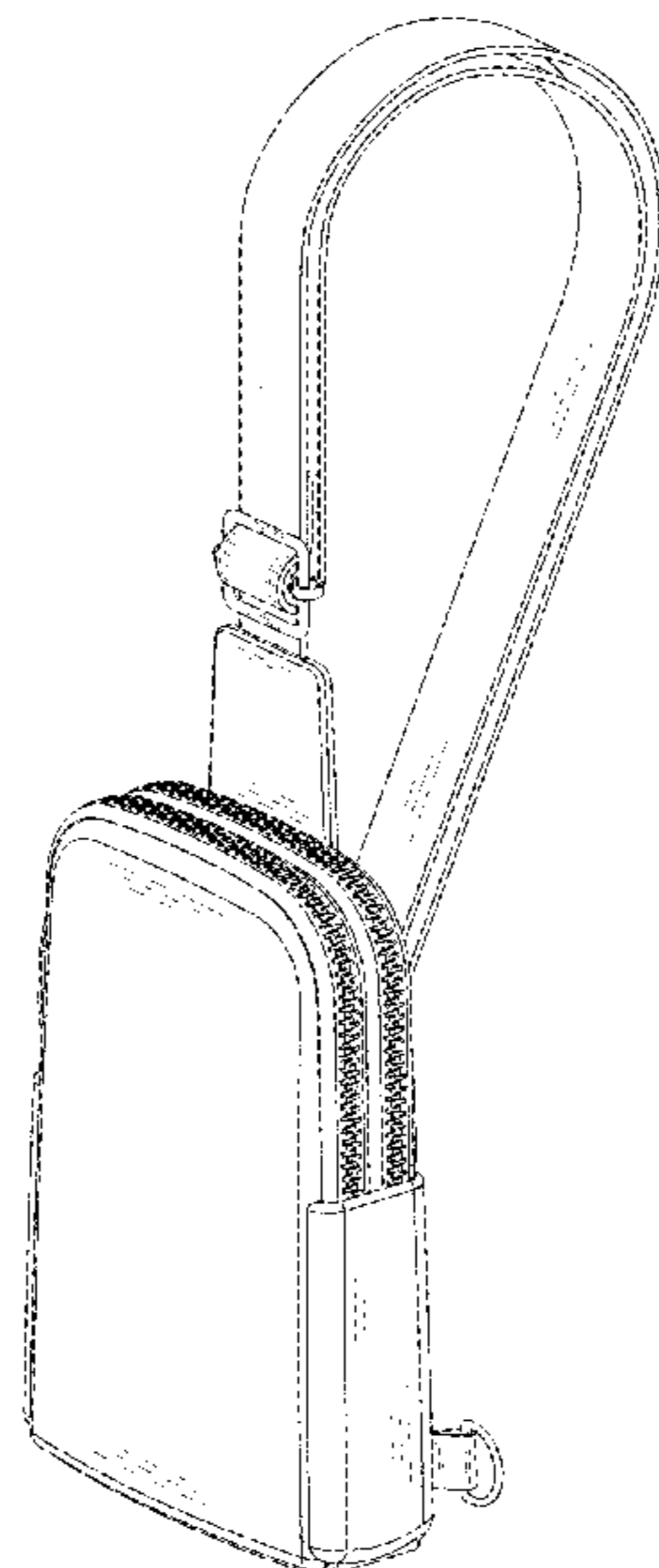
(57) **CLAIM**

The ornamental design for a chest bag, substantially as shown and described.

DESCRIPTION

FIG. 1 is a perspective view of a chest bag, showing my new design;
FIG. 2 is a front elevation view thereof;
FIG. 3 is a rear elevation view thereof;
FIG. 4 is a left side elevation view thereof;
FIG. 5 is a right side elevation view thereof;
FIG. 6 is a top plan view thereof; and,
FIG. 7 is a bottom plan view thereof.

1 Claim, 7 Drawing Sheets



(56)

References Cited

U.S. PATENT DOCUMENTS

2015/0101958 A1* 4/2015 Cross A45C 11/38
206/703
2015/0313346 A1* 11/2015 Doubleday A45F 3/12
224/627
2018/0343995 A1* 12/2018 Dingier A45C 7/0068

* cited by examiner

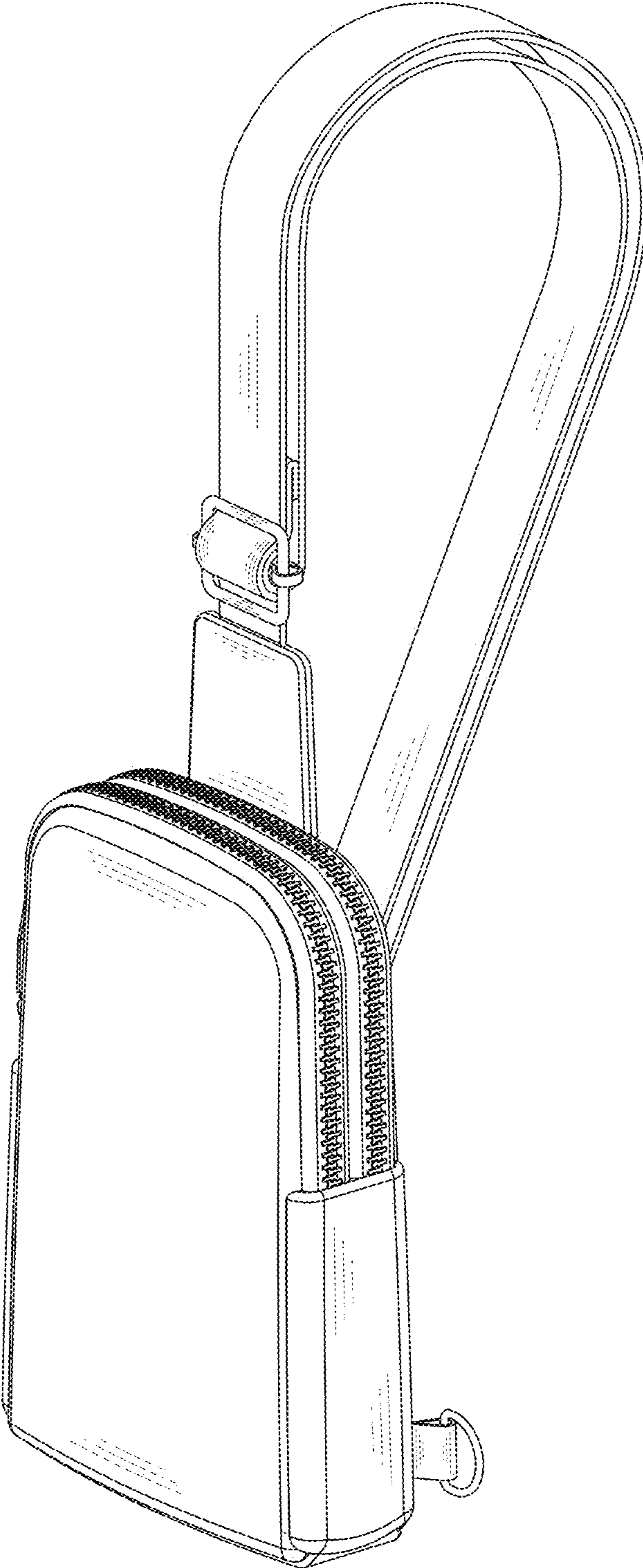


FIG. 1

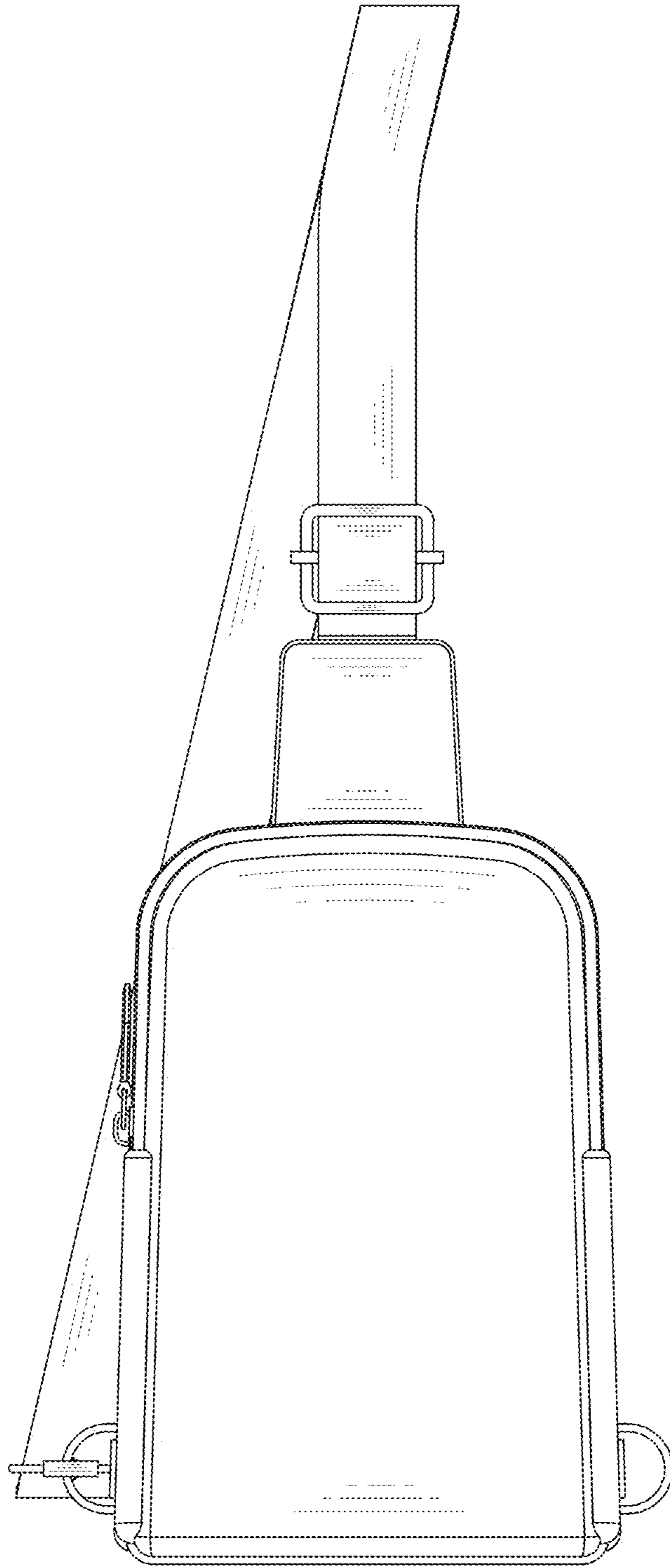


FIG. 2

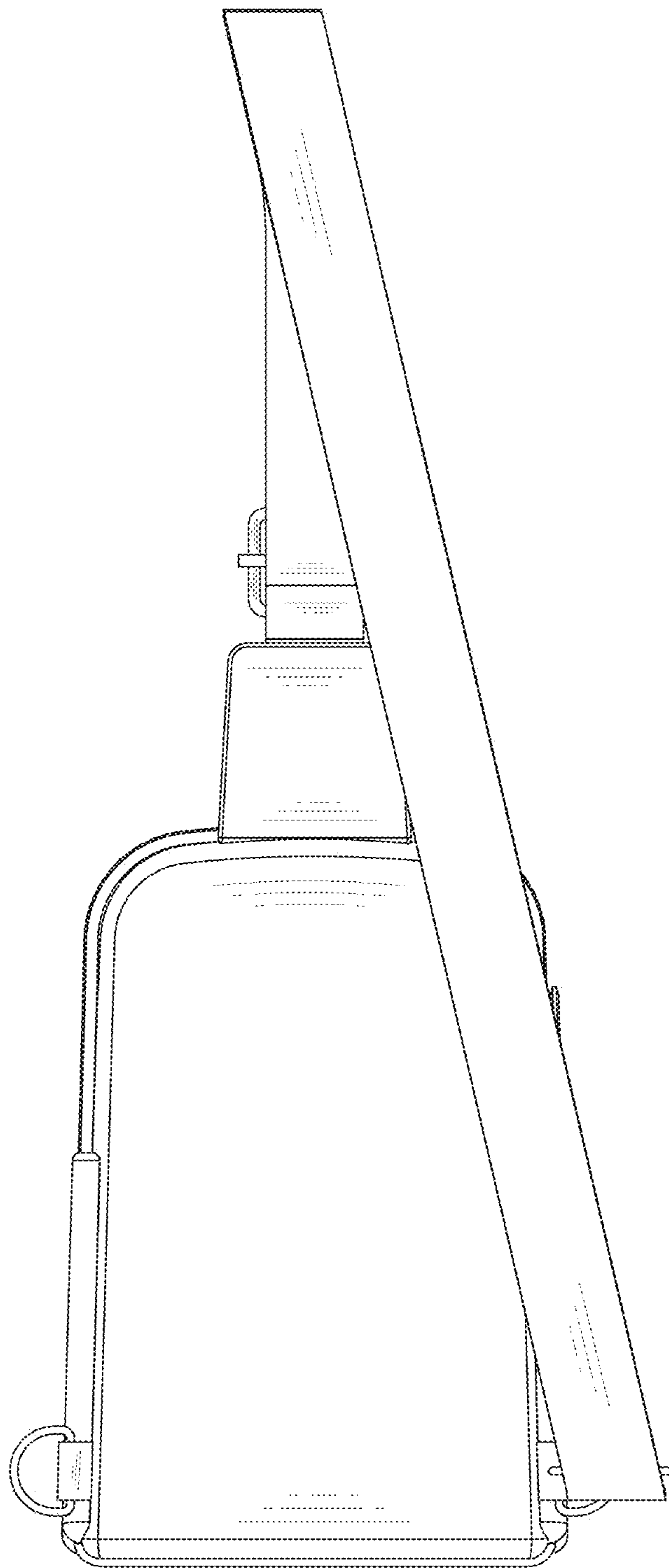


FIG. 3

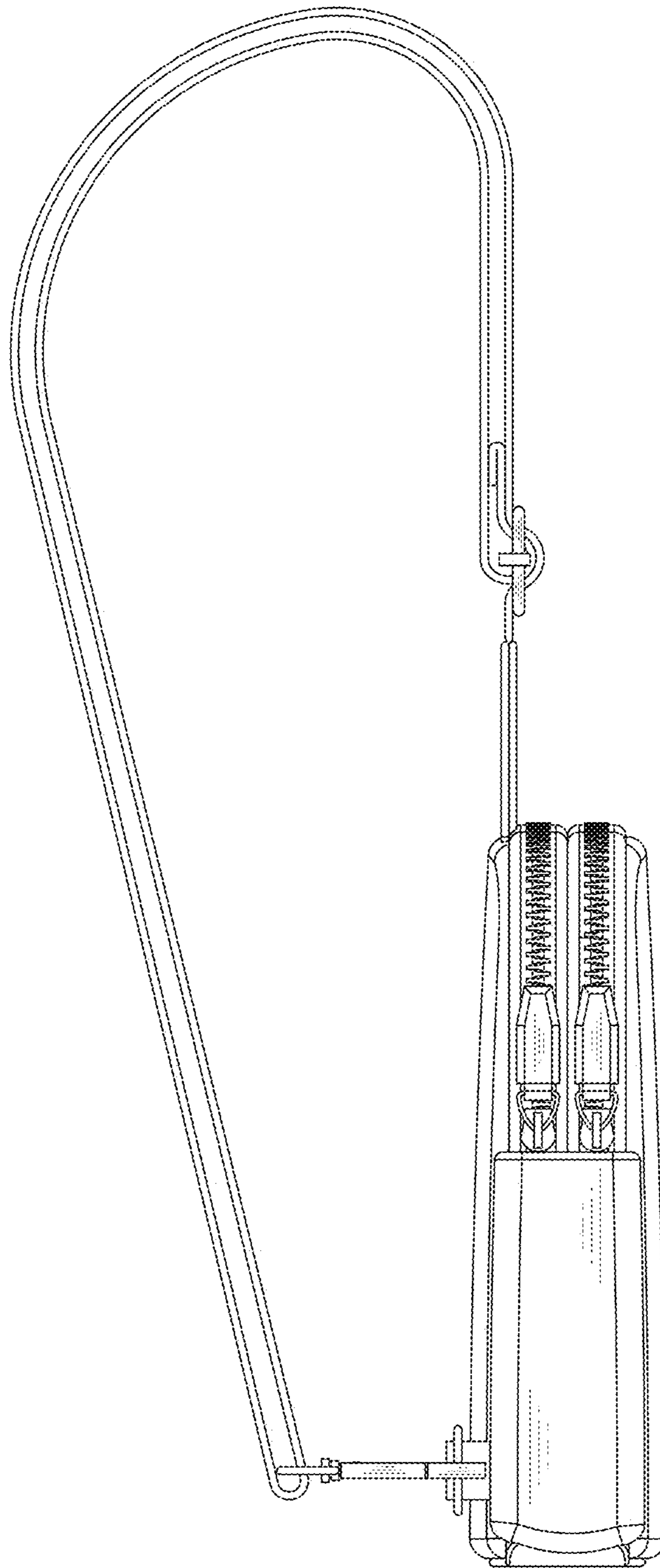


FIG. 4

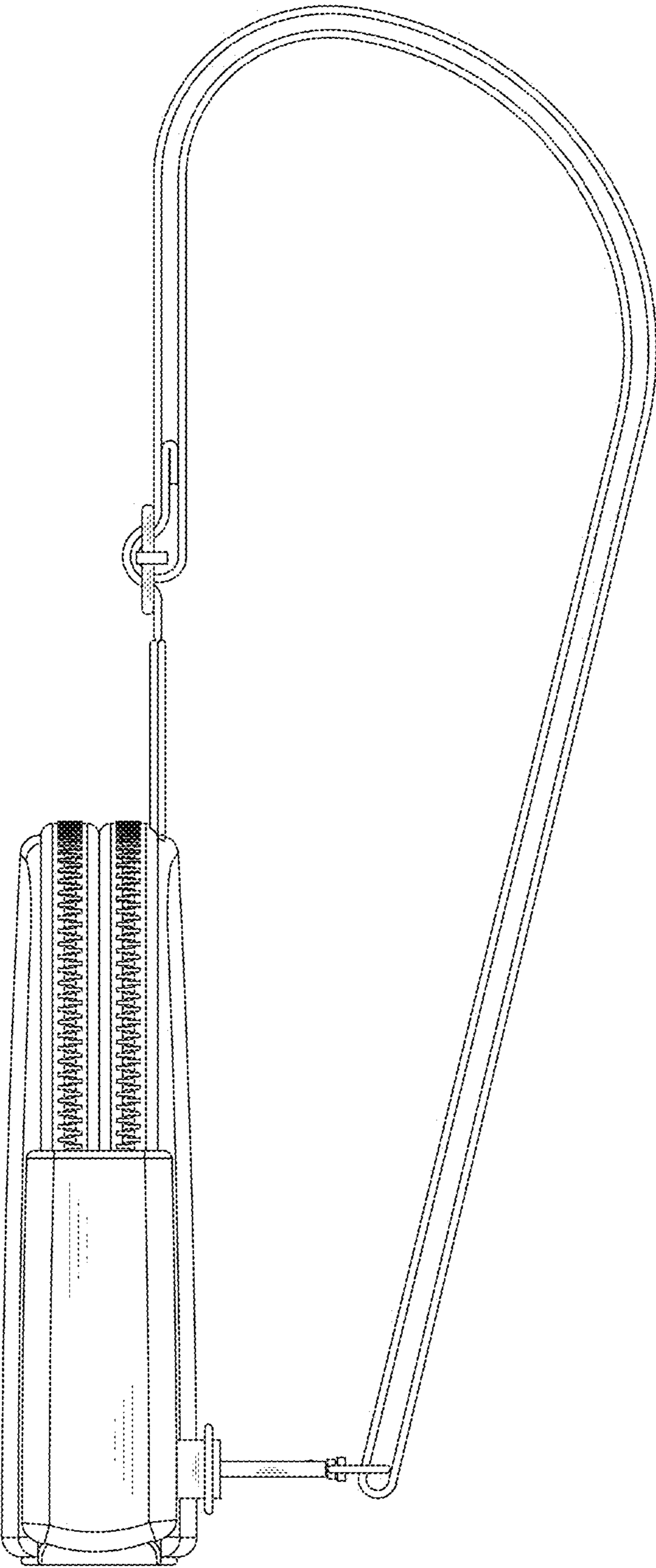


FIG. 5

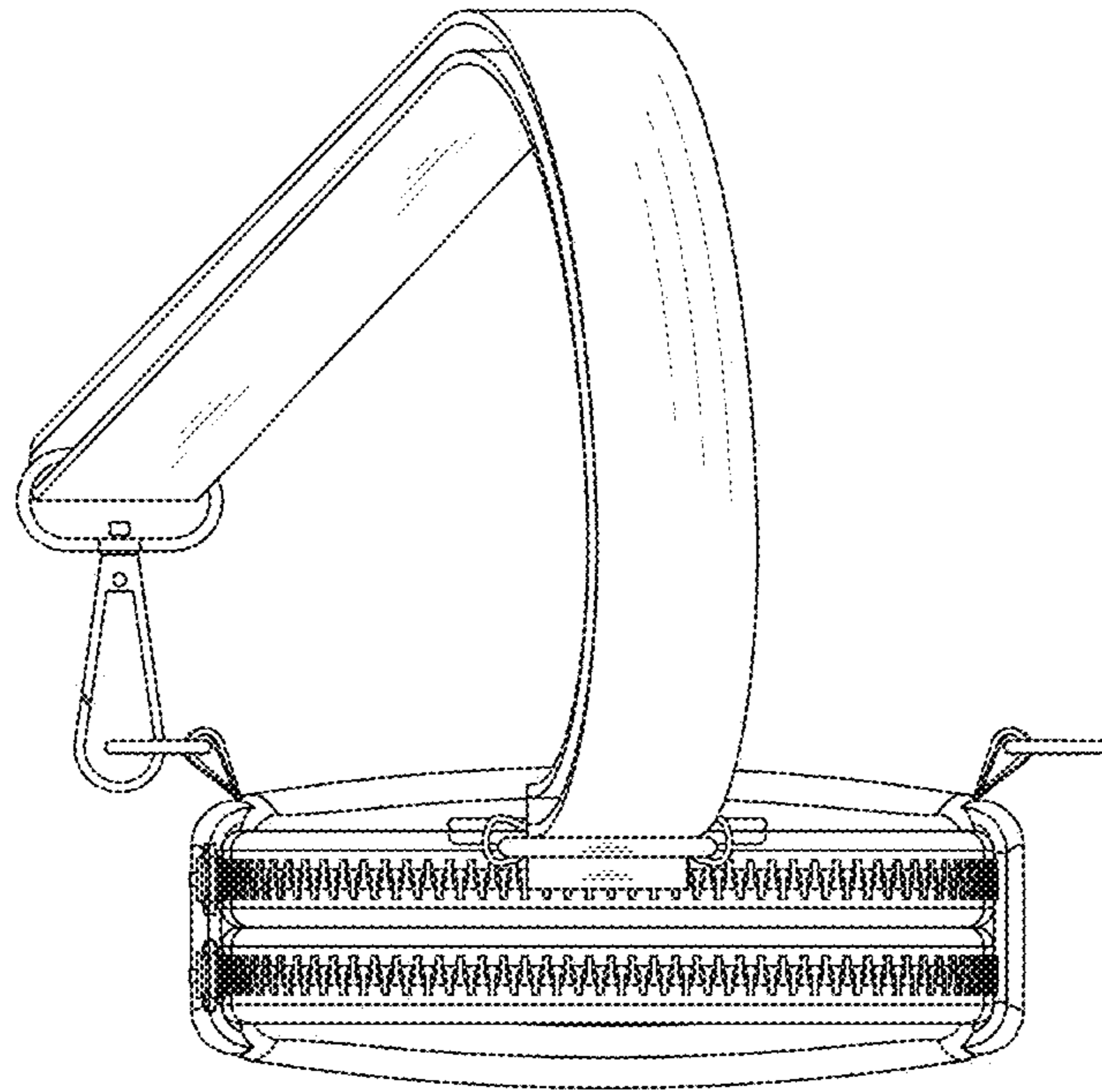


FIG. 6

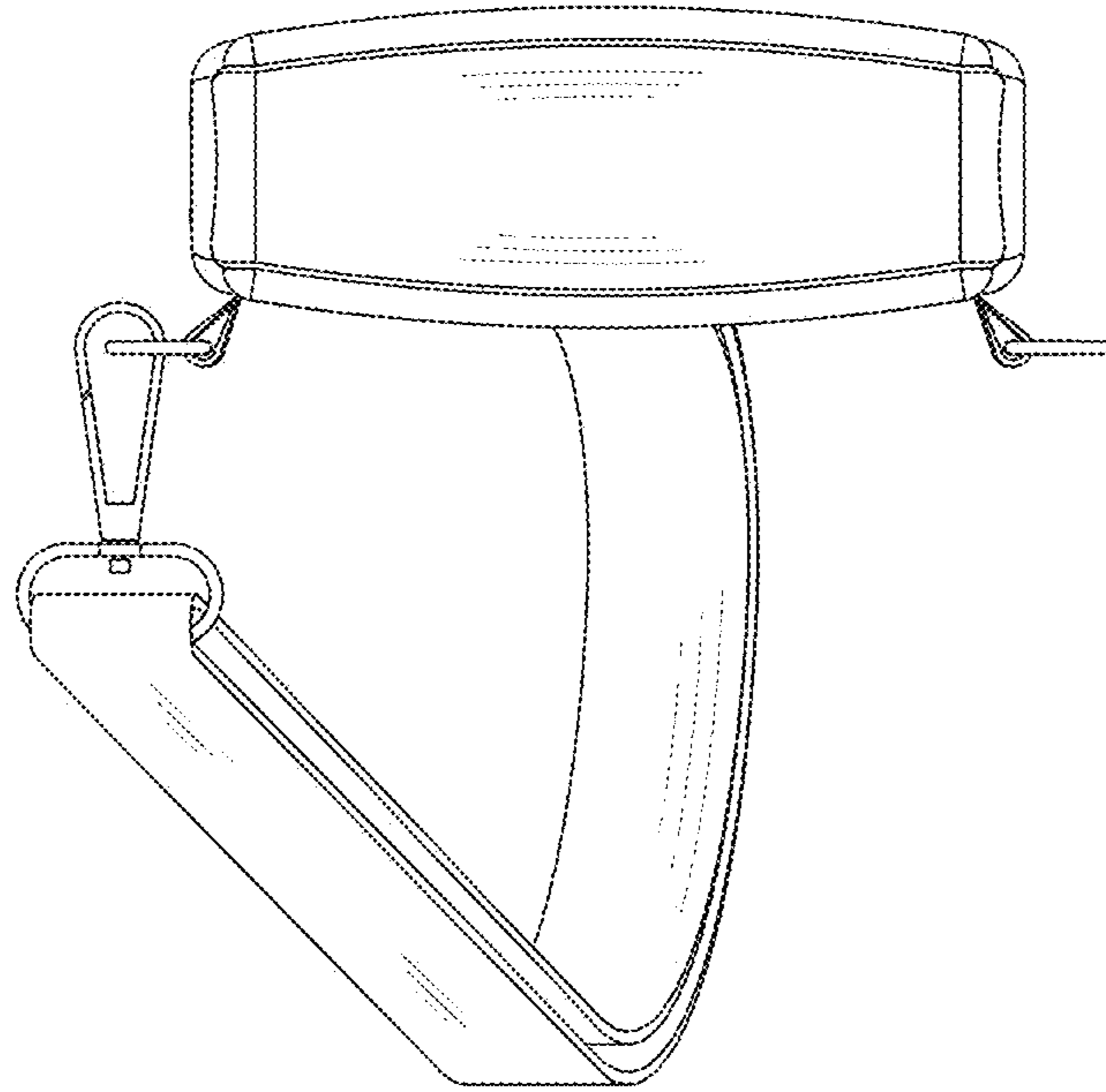


FIG. 7