



US00D974744S

(12) **United States Design Patent** (10) **Patent No.:** **US D974,744 S**
Levy (45) **Date of Patent:** **** Jan. 10, 2023**

(54) **BLADE CARTRIDGE TRAY**
 (71) Applicant: **DD Karma LLC**, Chicago, IL (US)
 (72) Inventor: **Dara Levy**, Highland Park, IL (US)
 (73) Assignee: **DD Karma LLC**, Chicago, IL (US)
 (**) Term: **15 Years**

D596,953 S * 7/2009 Wonderley D3/205
 D636,219 S 4/2011 Cornu
 D643,751 S 8/2011 Wonderley
 D745,775 S * 12/2015 Provost D3/205
 D752,392 S 3/2016 Maas
 D779,270 S 2/2017 Hogan
 D801,193 S 10/2017 Vorobej
 D824,269 S 7/2018 Vorobej
 D837,068 S 1/2019 Levy
 D895,268 S * 9/2020 Goeder D3/205
 (Continued)

(21) Appl. No.: **29/770,563**
 (22) Filed: **Feb. 12, 2021**
 (51) **LOC (14) Cl.** **03-01**
 (52) **U.S. Cl.**
 USPC **D3/205**
 (58) **Field of Classification Search**
 USPC D3/205
 CPC A45D 27/00; A45D 27/22; A45D 27/28;
 A45D 27/225
 See application file for complete search history.

Primary Examiner — Charles D Hanson
 (74) *Attorney, Agent, or Firm* — Wolf, Greenfield & Sacks, P.C.

(57) **CLAIM**

The ornamental design for a blade cartridge tray, as shown and described.

DESCRIPTION

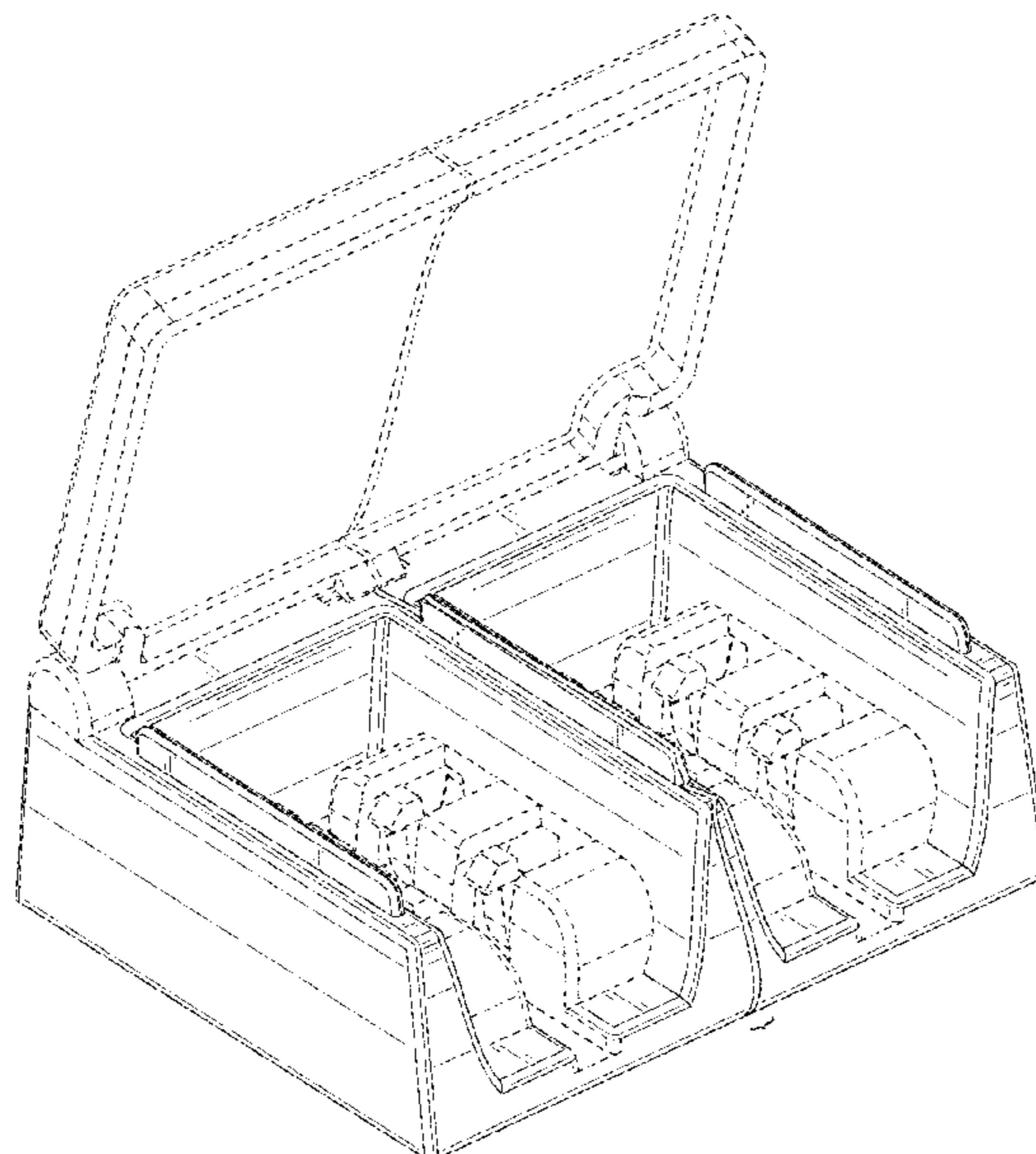
FIG. 1 is a top, front, left side perspective view of a blade cartridge tray according to my new design;
 FIG. 2 is a front elevation view thereof;
 FIG. 3 is a rear elevation view thereof;
 FIG. 4 is a left side elevation view thereof;
 FIG. 5 is a right side elevation view thereof;
 FIG. 6 is a top plan view thereof;
 FIG. 7 is a bottom plan view thereof; and,
 FIG. 8 is a top, front, left side perspective view thereof showing a cover of the blade cartridge tray in a closed position.
 The long-dash-short dash broken lines represent boundaries of the claimed design and form no part thereof. All other broken lines represent portions of the blade cartridge tray that form no part of the claimed design.
 The blade cartridge tray is shown with a symbolic break in its length. The appearance of any portion of the article between the break lines forms no part of the claimed design.

(56) **References Cited**

U.S. PATENT DOCUMENTS

2,796,742 A 6/1957 Platt
 3,206,012 A * 9/1965 Braginetz A45D 27/22
 220/377
 3,342,397 A 9/1967 Duitsman
 D219,645 S 1/1971 Rabe
 4,009,817 A 3/1977 Marshall
 D256,997 S 9/1980 Motta
 D259,596 S * 6/1981 Gray D3/205
 D261,950 S * 11/1981 Jankowski D3/205
 D262,189 S 12/1981 Swatek
 D262,585 S * 1/1982 Anema D3/205
 D353,302 S 12/1994 Fish
 D353,764 S 12/1994 Ho
 D354,197 S 1/1995 Fish
 D358,761 S 5/1995 Ho
 D366,611 S 1/1996 Poisson
 D428,809 S 8/2000 Adair
 D596,047 S 7/2009 Wonderley

1 Claim, 8 Drawing Sheets



(56)

References Cited

U.S. PATENT DOCUMENTS

D895,960	S *	9/2020	Goeder	D3/205
D908,960	S *	1/2021	Ramm	D3/205
2003/0101525	A1 *	6/2003	Belloli	A45D 27/22
					15/160
2003/0209457	A1 *	11/2003	Coffin	B26B 21/4037
					206/352
2004/0222228	A1	11/2004	Price		
2005/0218033	A1 *	10/2005	Curtis	A45D 27/22
					190/110
2011/0119923	A1 *	5/2011	Nicoll	A45D 27/22
					30/526
2013/0108523	A1	5/2013	Tawfik		
2015/0047481	A1 *	2/2015	Nicoll	B26B 21/4018
					83/22
2015/0059197	A1 *	3/2015	Sassano	A45D 27/48
					34/80
2016/0166273	A1	6/2016	Levy		
2016/0318682	A1	11/2016	Vorobej		
2018/0079581	A1 *	3/2018	Marquette	A45D 27/225
2018/0160790	A1 *	6/2018	Swatty	A45D 27/225
2018/0215529	A1	8/2018	Bergeron		
2021/0259384	A1 *	8/2021	McGarry	A45D 27/225

* cited by examiner

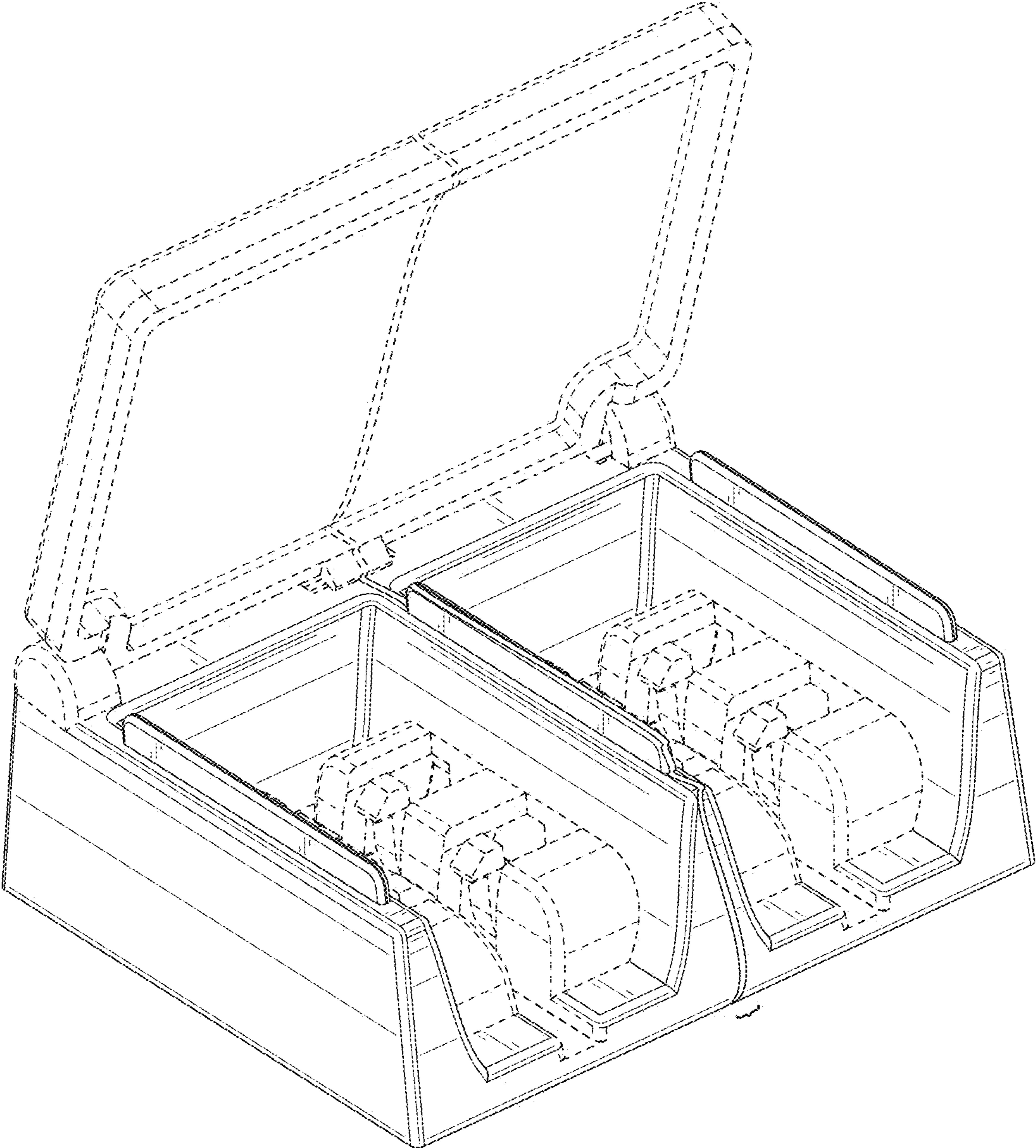


FIG. 1

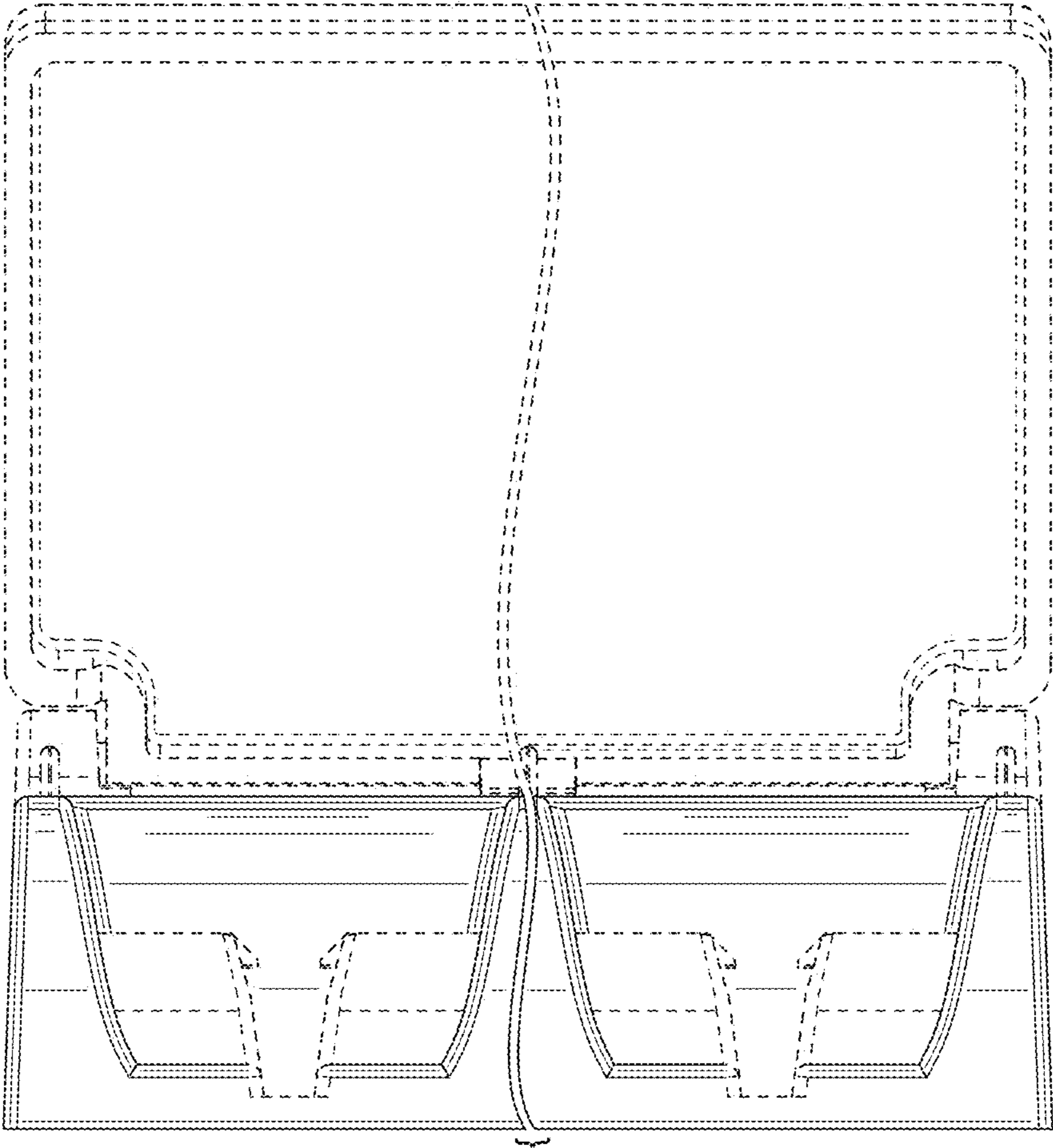


FIG. 2

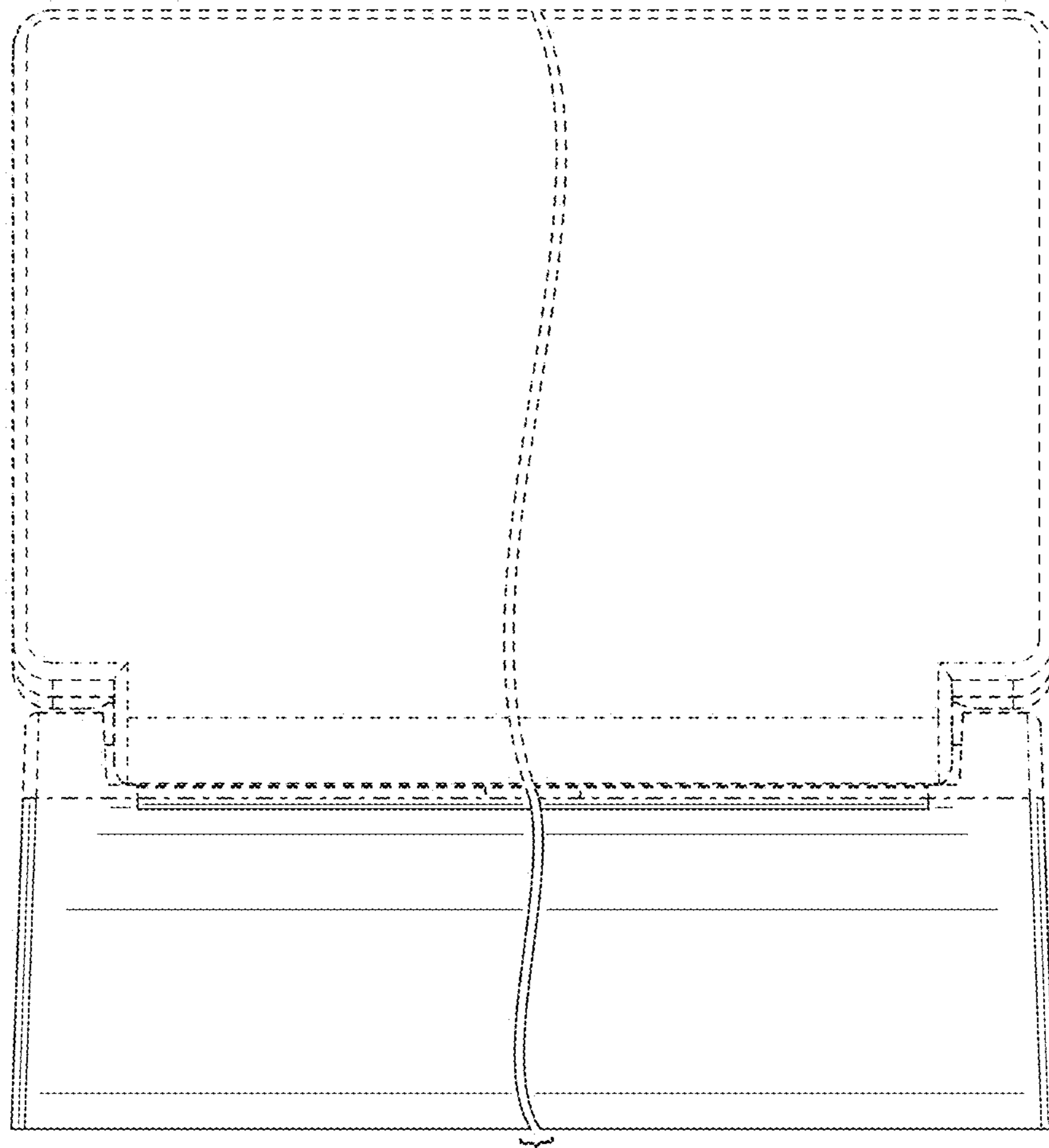


FIG. 3

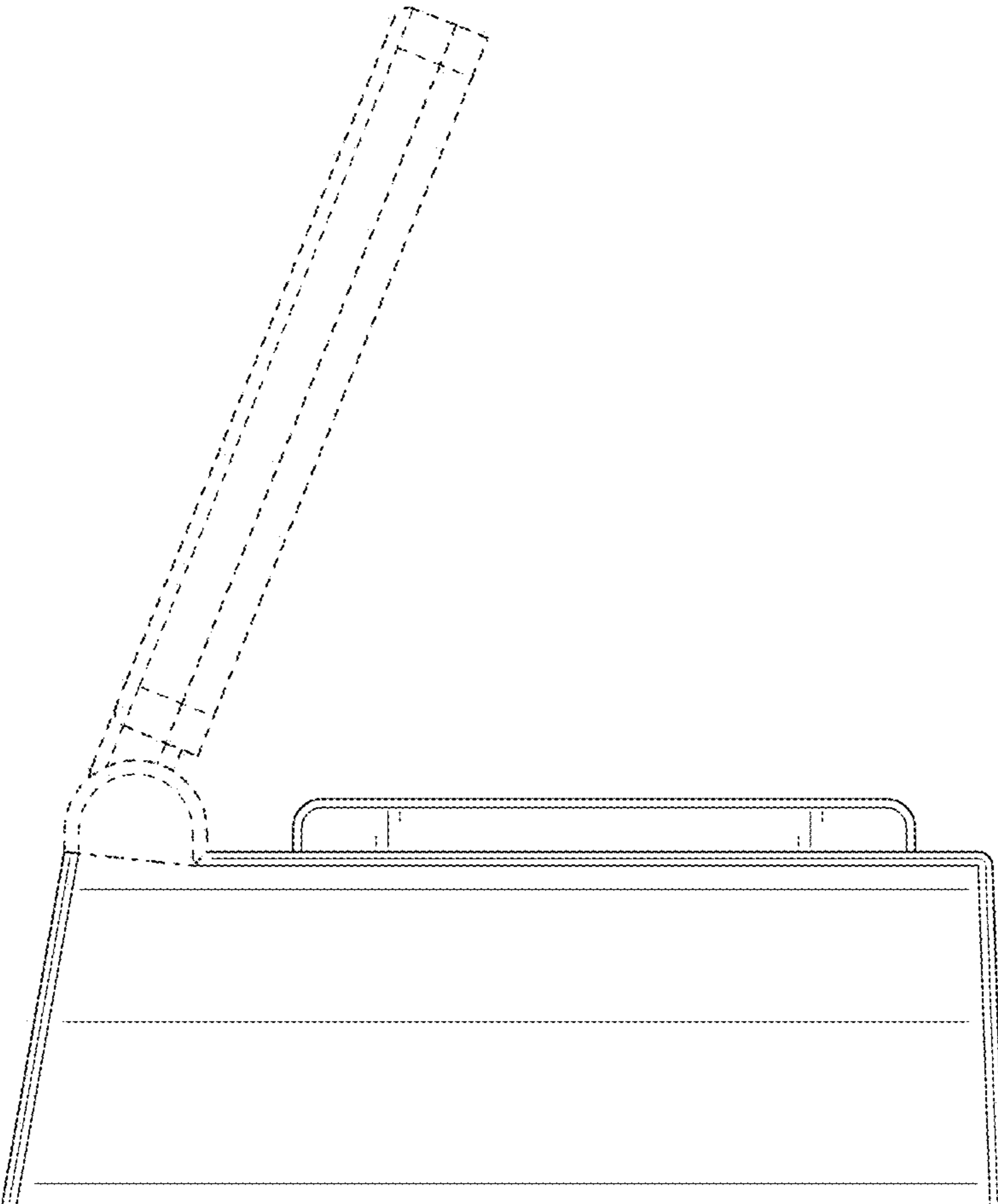


FIG. 4

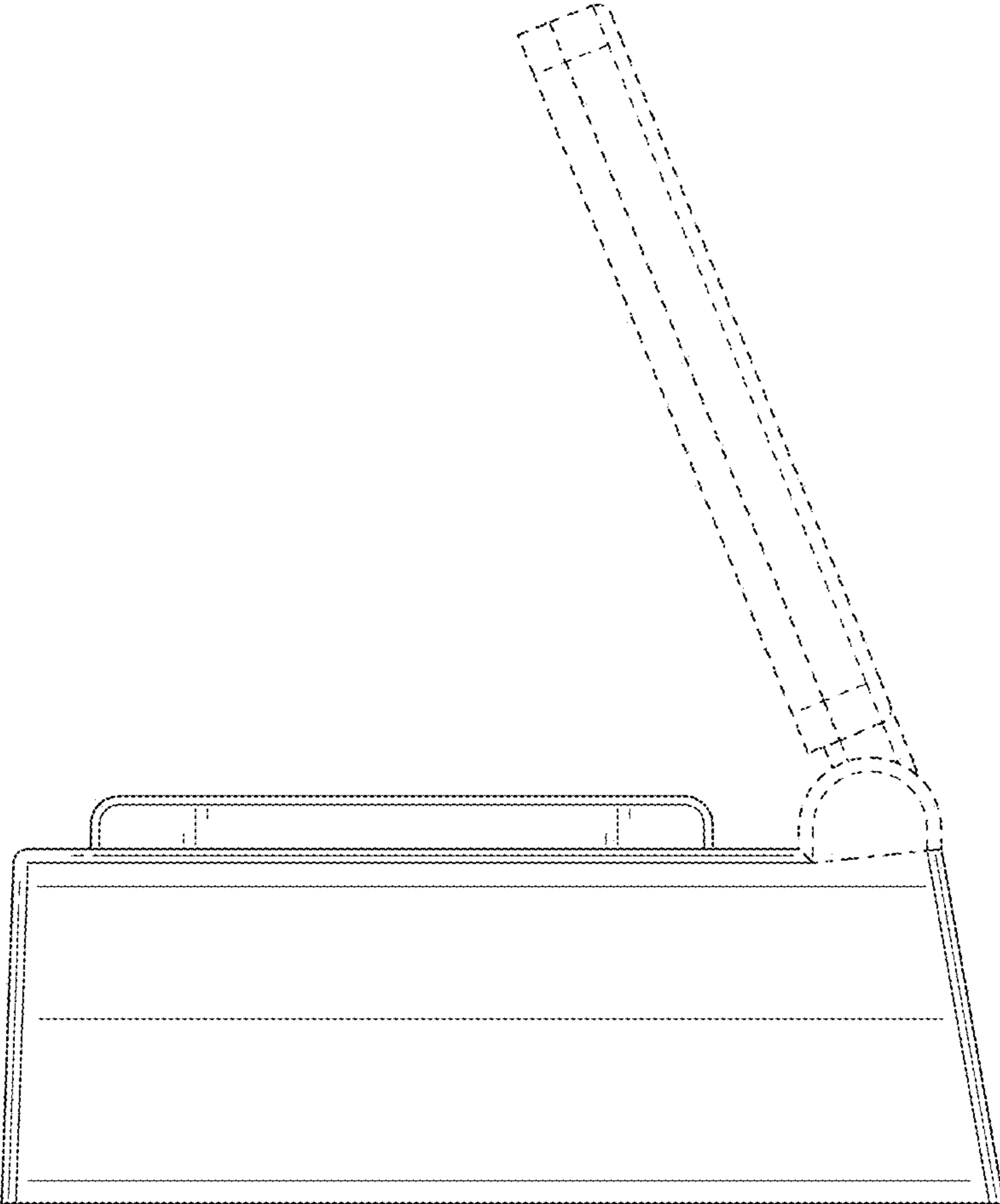


FIG. 5

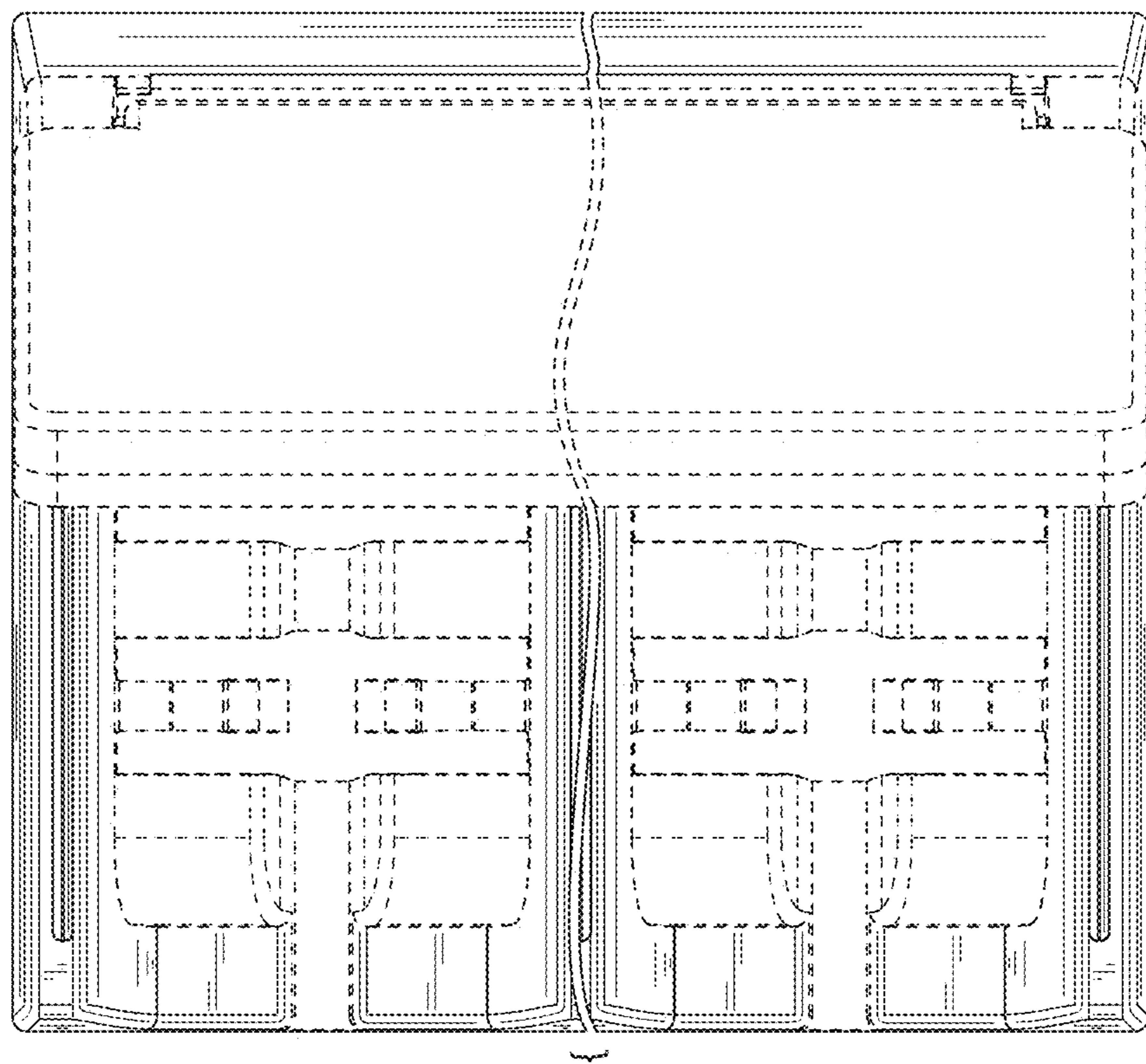


FIG. 6

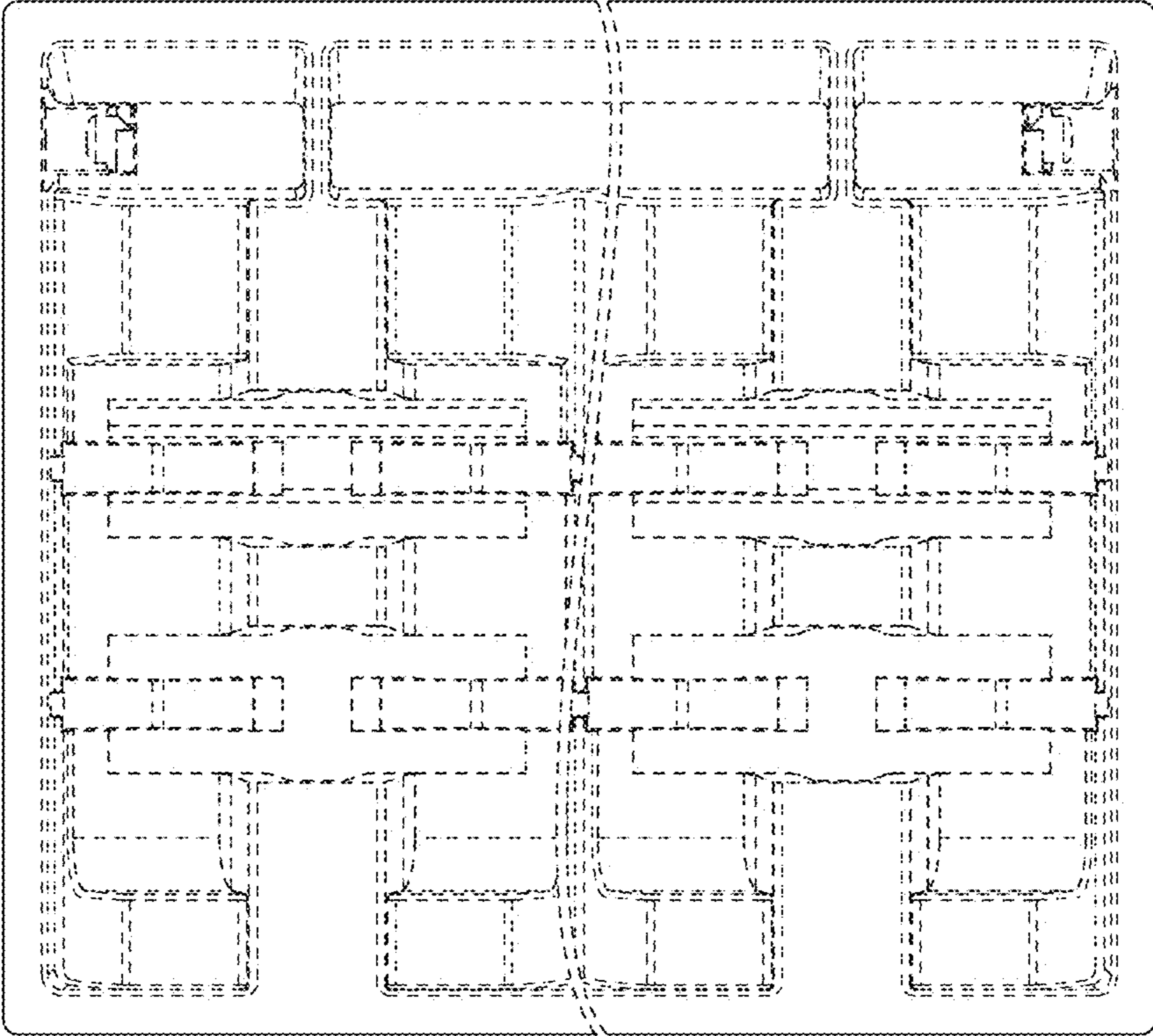


FIG. 7

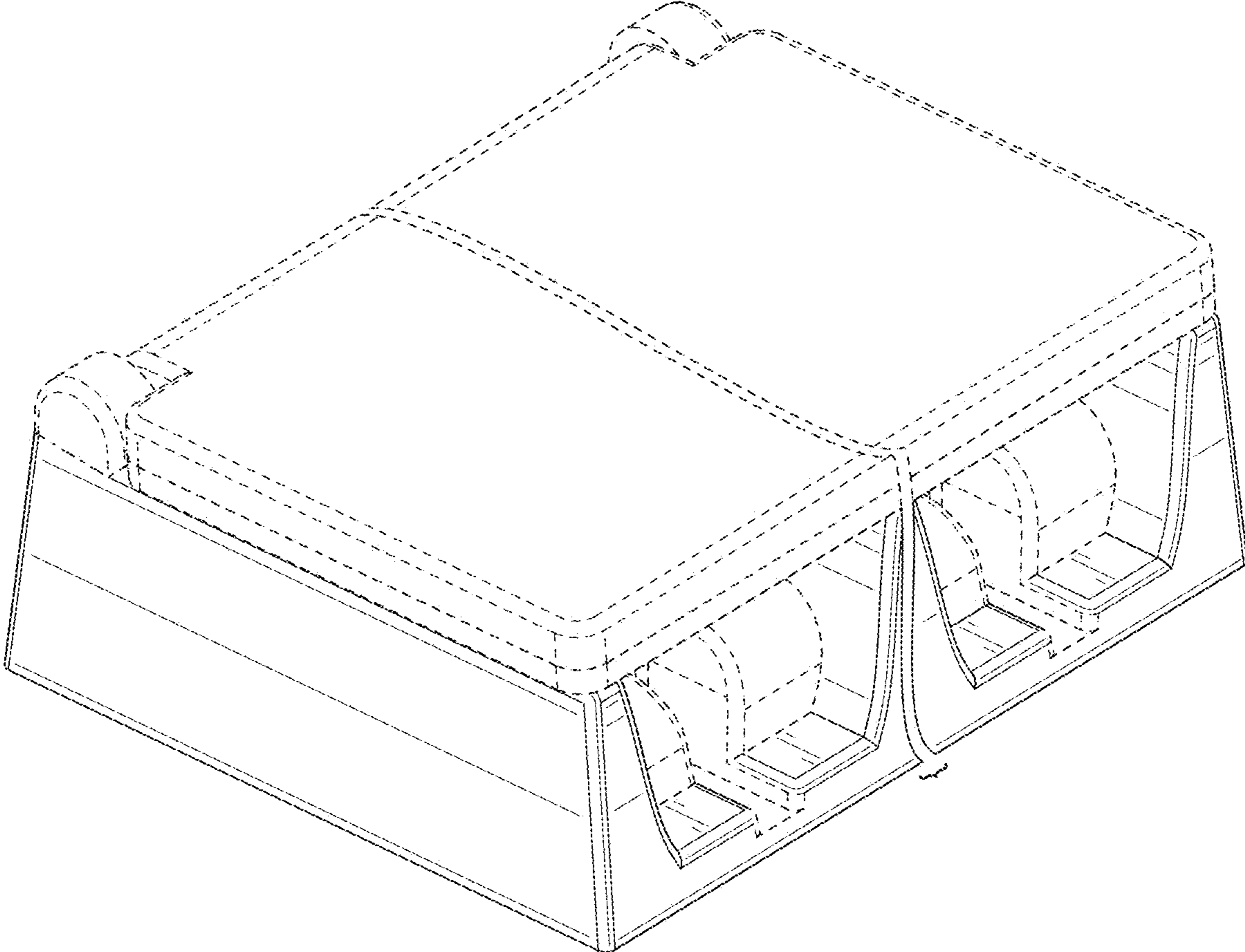


FIG. 8