



US00D974742S

(12) **United States Design Patent**
Chang

(10) **Patent No.:** **US D974,742 S**
(45) **Date of Patent:** **** Jan. 10, 2023**

(54) **PILL ORGANIZER**

(71) Applicant: **E-LINK PLASTIC & METAL INDUSTRIAL CO., LTD.**, New Taipei (TW)

(72) Inventor: **Pin-Yang Chang**, New Taipei (TW)

(73) Assignee: **E-LINK PLASTIC & METAL INDUSTRIAL CO., LTD.**, New Taipei (TW)

(**) Term: **15 Years**

(21) Appl. No.: **29/773,910**

(22) Filed: **Mar. 12, 2021**

(51) **LOC (14) Cl.** **03-01**

(52) **U.S. Cl.**
USPC **D3/203.2**

(58) **Field of Classification Search**

USPC D3/201, 202, 203.1, 203.2, 203.3, 203.4, D3/203.5, 203.6, 203.7, 203.8, 204–212, D3/263–267, 270, 271.1, 273–275, 294, D3/295, 302, 901; D7/601, 602, D7/608–611, 614, 615, 637–639, D7/701–703; D9/600, 715, 717, 737, D9/756, 763, 782, 499; D14/203.4, D14/203.5, 203.6, 204, 205, 509–511; D13/108

CPC A45C 11/00; A45C 11/005; A45C 11/008; A45C 11/02; A45C 11/04; A45C 11/043; A45C 11/046; A45C 11/06; A45C 11/08; A45C 11/10; A45C 11/12; A45C 11/14; A45C 11/16; A45C 11/18; A45C 2011/001; A45C 2011/002; A45C 2011/003; A45C 2011/006; A45C 2011/007

See application file for complete search history.

(56) **References Cited**

U.S. PATENT DOCUMENTS

D190,142 S * 4/1961 Meshino D9/414
D259,596 S * 6/1981 Gray D3/205

(Continued)

FOREIGN PATENT DOCUMENTS

CN 306996326 * 12/2021
CN 307208170 * 3/2022

(Continued)

OTHER PUBLICATIONS

USSJ Protective Silicone Case, available at amazon.com, earliest date available Jun. 13, 2020 [online], site visited Jul. 5, 2022, available from the internet URL: <https://www.amazon.com/USSJ-Protective-Compatible-Accessory-Shockproof/dp/B089DZZN8M/> (Year: 2020).*

(Continued)

Primary Examiner — Messina L Smith

Assistant Examiner — Jillian Mazzola

(74) *Attorney, Agent, or Firm* — Alan D. Kamrath; Karin L. Williams; Mayer & Williams PC

(57) **CLAIM**

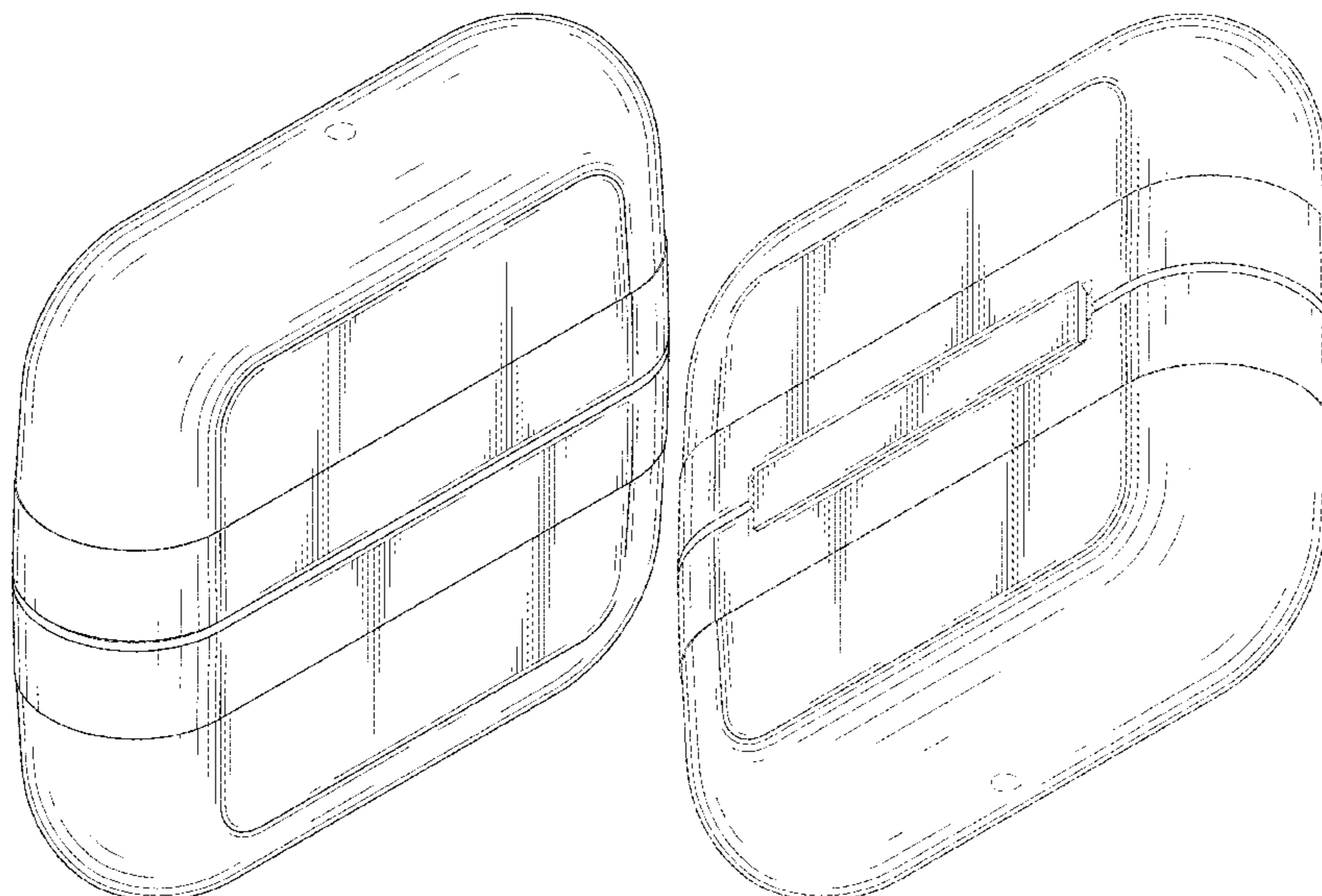
The ornamental design for a pill organizer, as shown and described.

DESCRIPTION

FIG. 1 is a perspective view of a pill organizer showing my new design;
FIG. 2 is another perspective view thereof;
FIG. 3 is a front elevation view thereof;
FIG. 4 is a rear elevation view thereof;
FIG. 5 is a left side elevation view thereof;
FIG. 6 is a right side elevation view thereof;
FIG. 7 is a top plan view thereof; and,
FIG. 8 is a bottom plan view thereof.

The broken lines shown in the drawings depict portions of the pill organizer that form no part of the claimed design.

1 Claim, 8 Drawing Sheets



(56)

References Cited

OTHER PUBLICATIONS

U.S. PATENT DOCUMENTS

D278,207 S * 4/1985 McLaughlin D3/203.2
D369,240 S * 4/1996 Newby, Sr. D3/276
D484,305 S * 12/2003 Eldon, III D3/205
D514,123 S * 1/2006 Naruki D14/203.3
D634,115 S * 3/2011 Long, Jr. D3/201
D795,874 S * 8/2017 Szeremeta D3/273
D818,268 S * 5/2018 Akana D3/294
D868,465 S * 12/2019 Lee D3/270
D888,037 S * 6/2020 Wright D3/218
D888,982 S * 6/2020 Chang D24/227
D905,956 S * 12/2020 Rivera D3/203.6
D934,563 S * 11/2021 Xiang D3/294
D942,387 S * 2/2022 Chen D3/294
D944,513 S * 3/2022 Özbayis A61N 1/3968
D24/167
D948,210 S * 4/2022 Rohrer D3/273
D956,765 S * 7/2022 Lee D14/440

FOREIGN PATENT DOCUMENTS

CN 307271062 * 4/2022
KR 300914366.0000 * 7/2017

Apple Wireless Charging Case for AirPods, available at amazon.com, earliest customer review date May 17, 2019 [online], site visited Jul. 5, 2022, available from the internet URL: <https://www.amazon.com/Apple-Wireless-Charging-Case-AirPods/dp/B07PYLKTD8/> (Year: 2019).*

Animal Design Damp Proof Pill Case || E-332, available at youtube.com, posted Feb. 26, 2018 [online], site visited Jul. 5, 2022, available from the internet URL: <https://www.youtube.com/watch?v=Ud4jbachM2Q> (Year: 2018).*

Equate Travel Pill Case, available at walmart.com, earliest customer review date Aug. 12, 2021 [online], site visited Jul. 5, 2022, available from the internet URL: <https://www.walmart.com/ip/Equate-Travel-Pill-Case/916117661?> (Year: 2021).*

Monthly Pill Organizer, available atgroupon.com, date not available [online], site visited Jul. 5, 2022, available from the internet URL: <https://www.groupon.com/deals/gg-mp-monthly-pill-organizer-31-day-pill-organizer-with-large-removable-medication> (Year: 2022).*

* cited by examiner

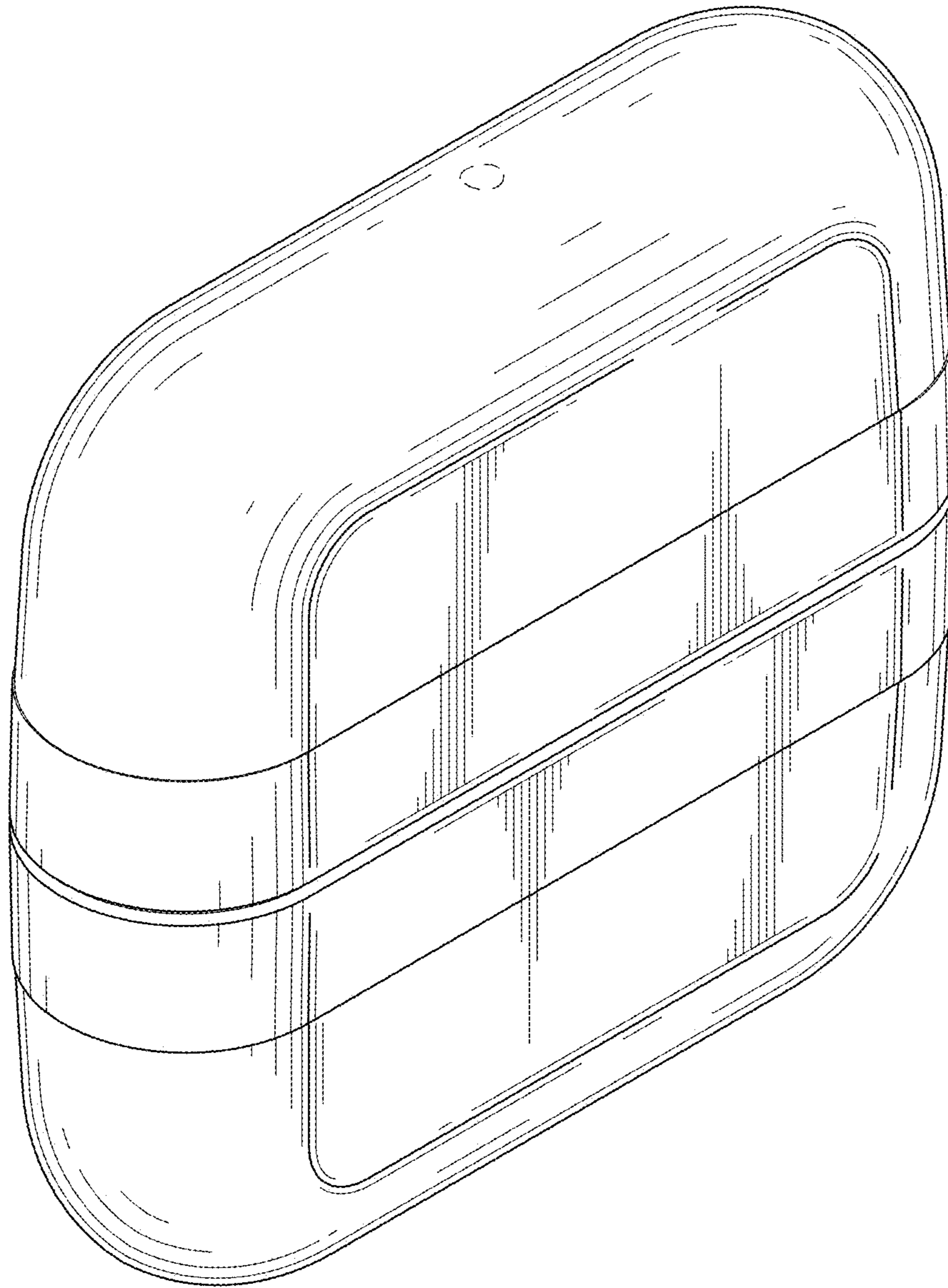


FIG. 1

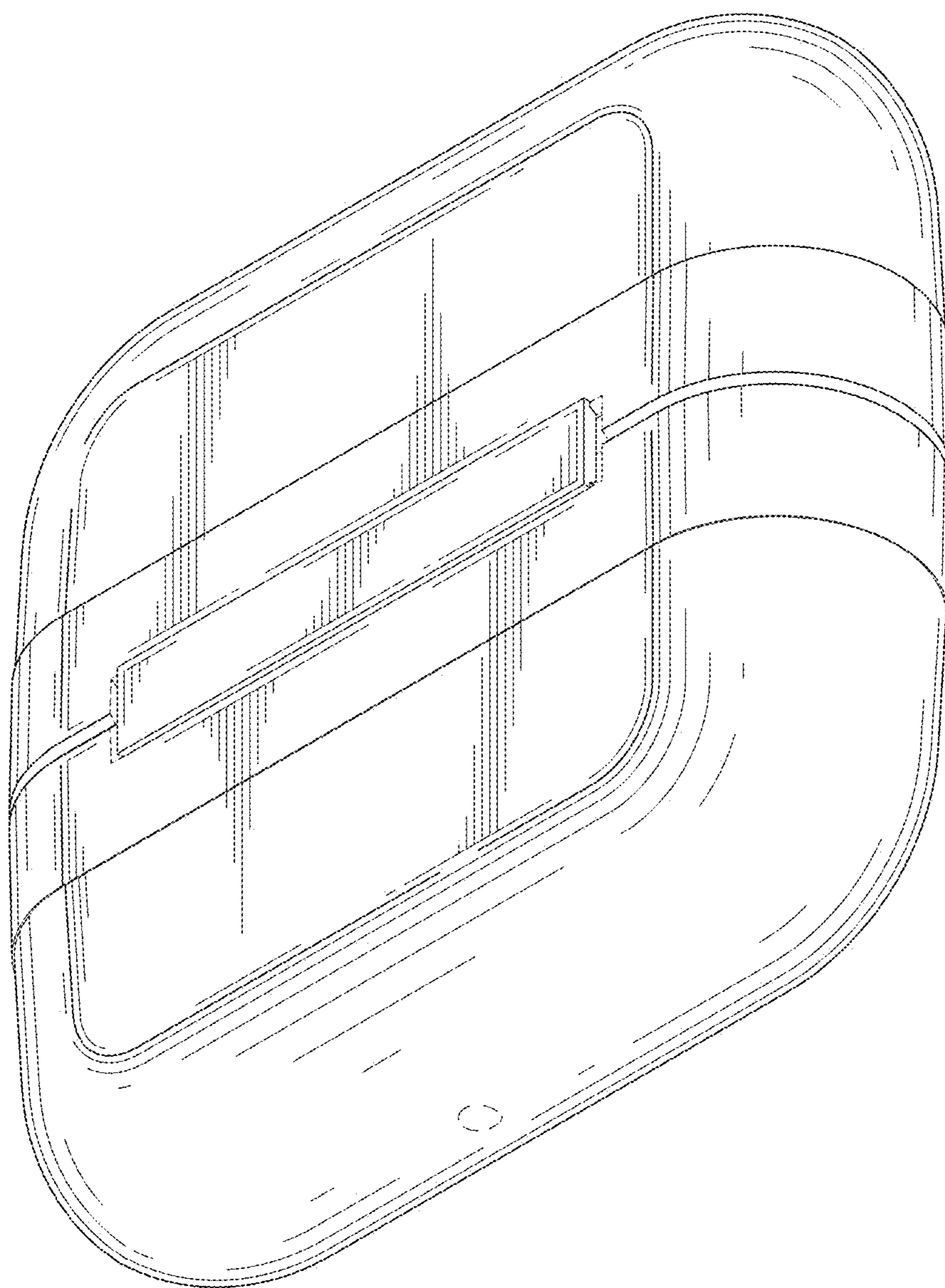


FIG. 2

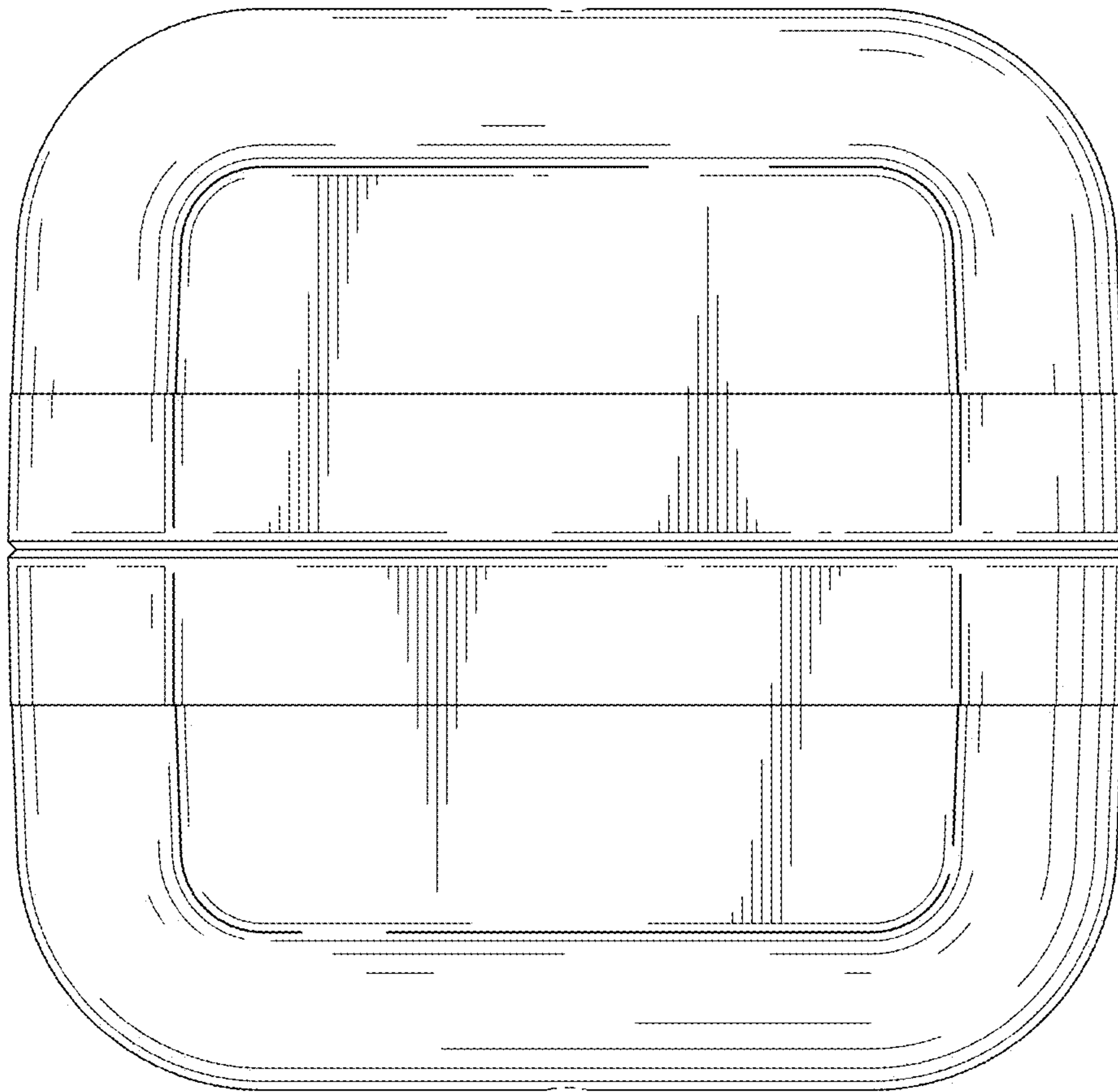


FIG. 3

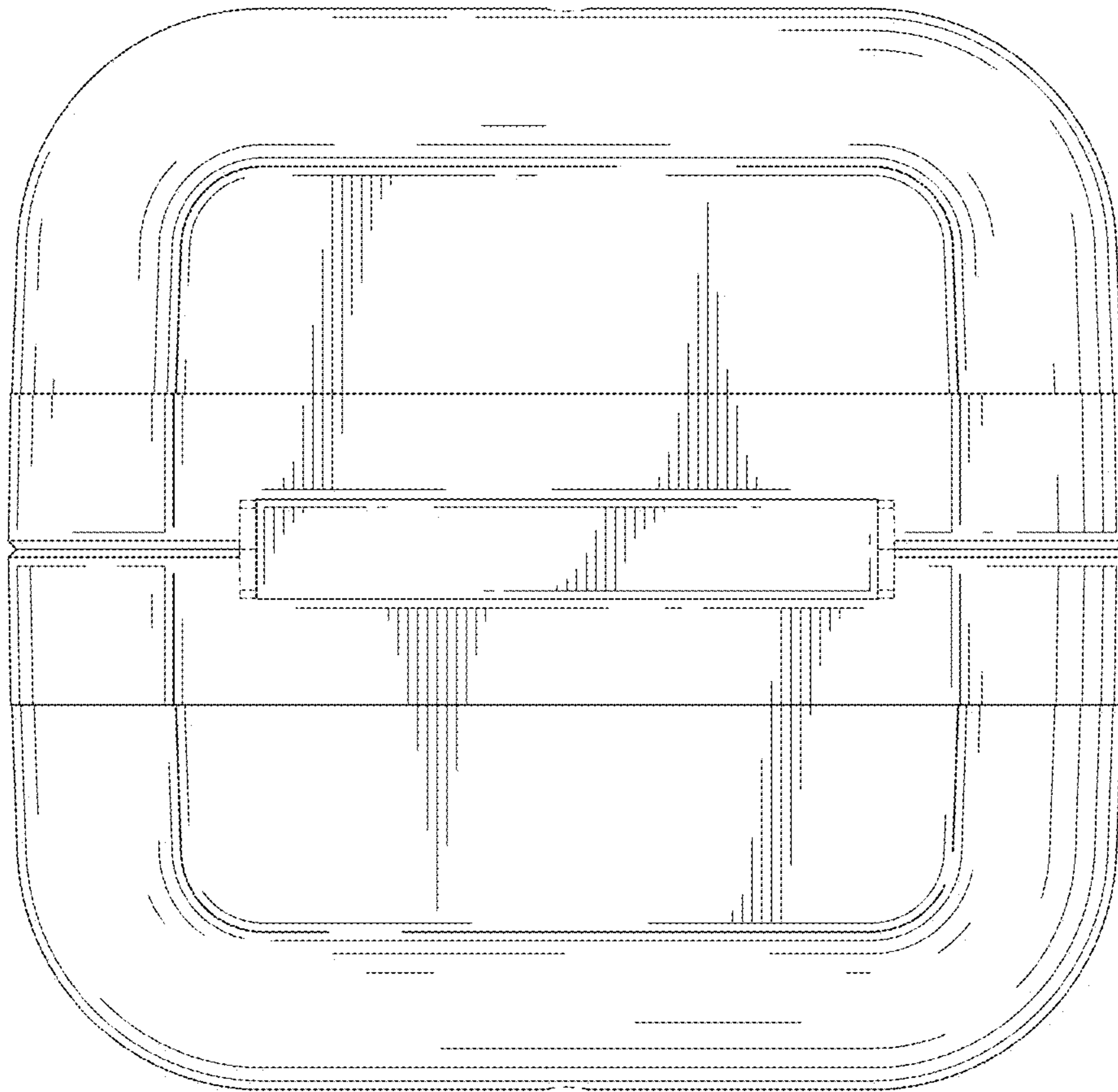


FIG. 4

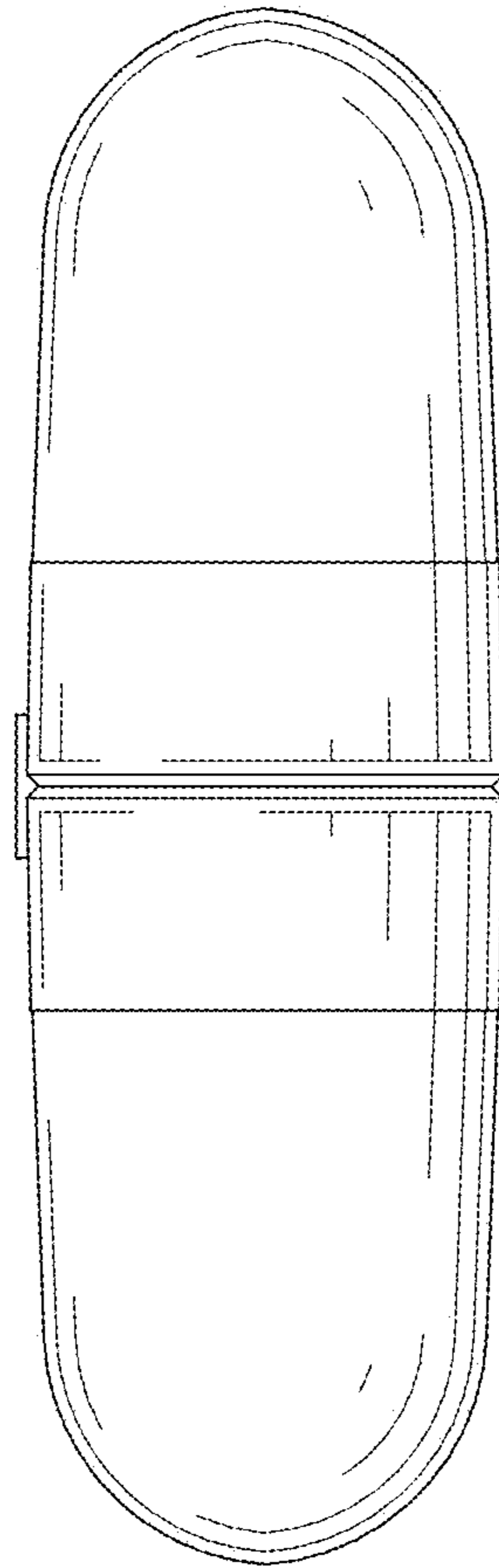


FIG. 5

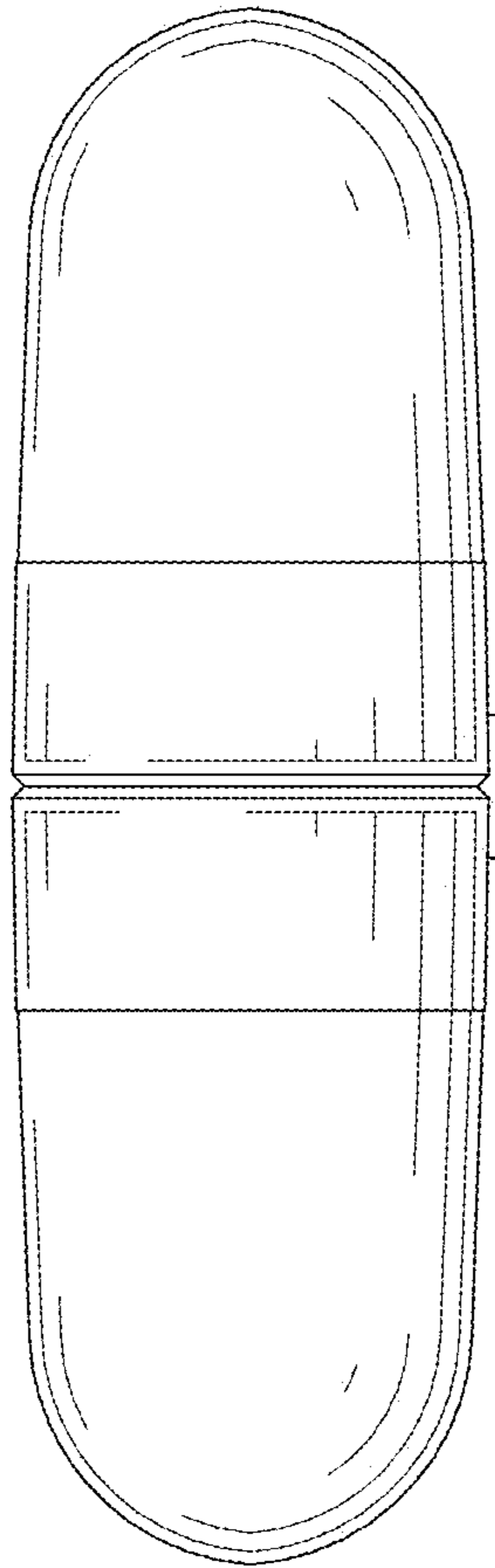


FIG. 6

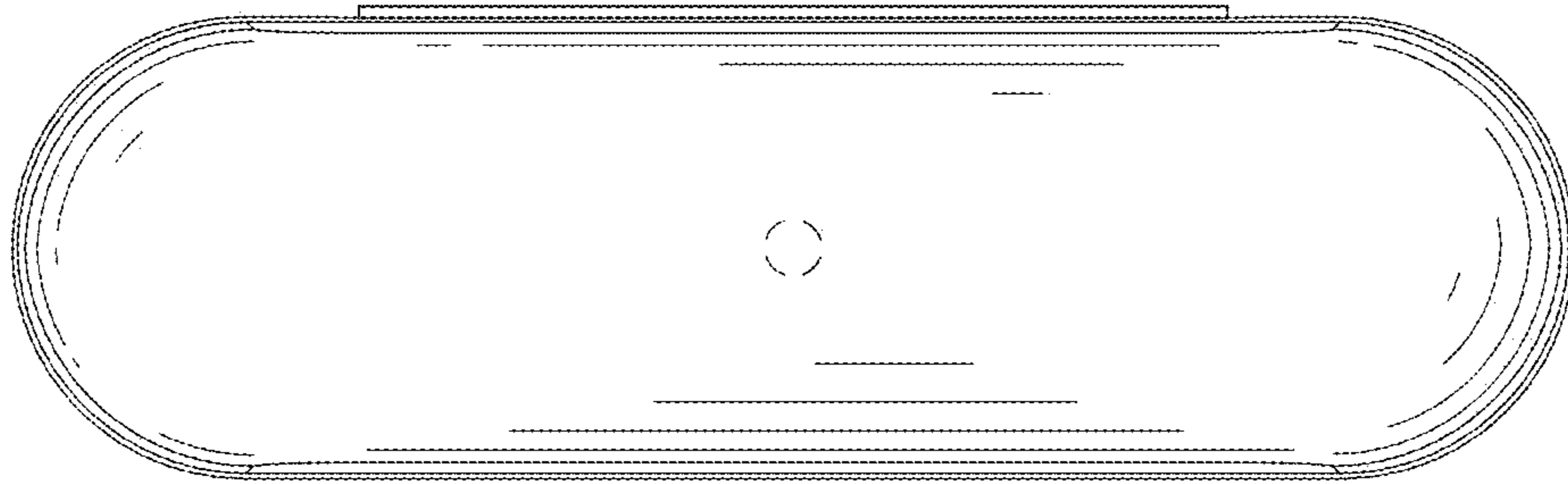


FIG. 7

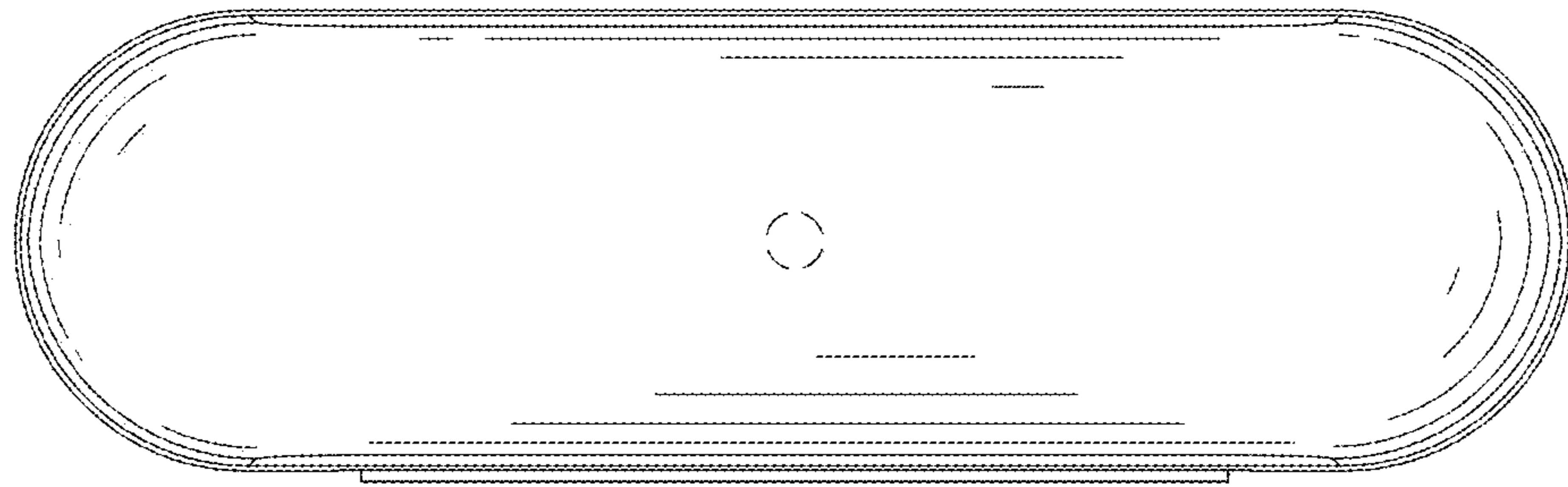


FIG. 8