



US00D974741S

(12) **United States Design Patent** (10) **Patent No.:** **US D974,741 S**
Seiders et al. (45) **Date of Patent:** **** Jan. 10, 2023**

(54) **BAG**
(71) Applicant: **YETI Coolers, LLC**, Austin, TX (US)
(72) Inventors: **Roy Joseph Seiders**, Austin, TX (US);
Dustin Bullock, Austin, TX (US)
(73) Assignee: **YETI Coolers, LLC**, Austin, TX (US)
(**) Term: **15 Years**
(21) Appl. No.: **29/765,083**
(22) Filed: **Jan. 5, 2021**

2,483,802 A 10/1949 Vonbun et al.
2,499,291 A 2/1950 Mogil
2,548,064 A 4/1951 Mogil et al.
(Continued)

FOREIGN PATENT DOCUMENTS

CA 2483802 A1 4/2006
CA 2499291 A1 9/2006
(Continued)

OTHER PUBLICATIONS

United States District Court Western District of Texas, Austin Division, "Complaint for Damages and Injunctive Relief tor: (1)-(12) Patent Infringement in Violation of 35 U.S.C. § 271; and (13) Breach of Contract", *Yeti Coolers, LLC v. RTIC Outdoors, LLC; and Corporate Support & Fulfillment, LLC*, Case 1:21-cv-00214, filed Mar. 5, 2021, 338 pages.

(Continued)

Primary Examiner — Holly E Thurman
(74) *Attorney, Agent, or Firm* — Banner & Witcoff, Ltd.

Related U.S. Application Data

(63) Continuation of application No. 29/739,007, filed on Jun. 22, 2020, now Pat. No. Des. 923,323, which is a continuation of application No. 29/663,667, filed on Sep. 18, 2018, now Pat. No. Des. 887,699.
(51) **LOC (14) Cl.** **03-01**
(52) **U.S. Cl.**
USPC **D3/201**
(58) **Field of Classification Search**
USPC D3/201, 207, 208, 215, 226, 228, 229,
D3/230, 269, 273, 290, 299, 303, 304,
D3/316, 318; D9/702, 703, 705, 707,
D9/709, 710
CPC B65D 83/384; F41H 9/10
See application file for complete search history.

(57) **CLAIM**

The ornamental design for a bag, as shown and described.

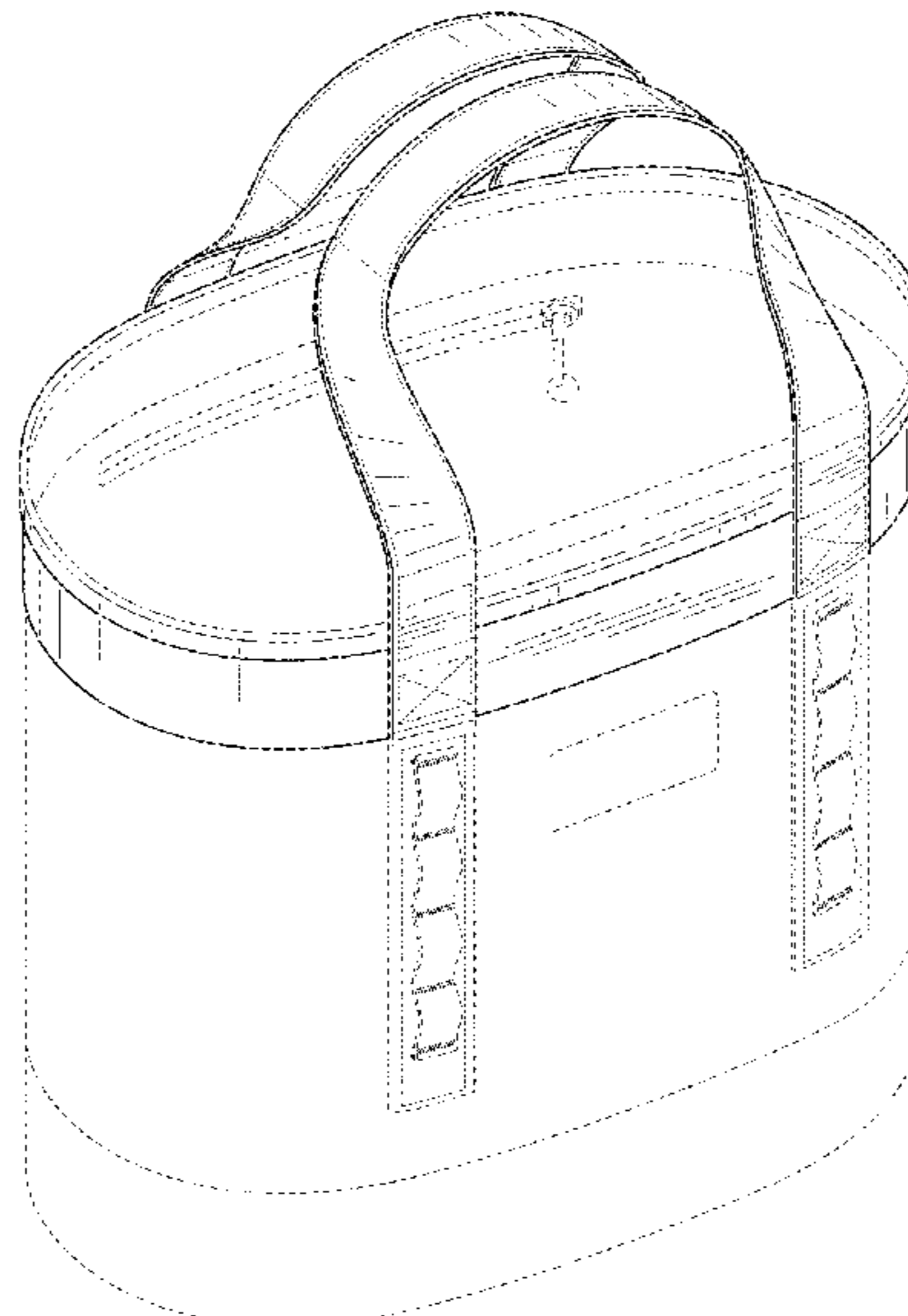
DESCRIPTION

FIG. 1 is a top, front perspective view of a bag showing our new design;
FIG. 2 is a front view of a bag showing our new design;
FIG. 3 is a rear view thereof;
FIG. 4 is a left side view thereof; and,
FIG. 5 is a right side view thereof.
The dot-dash broken lines depict boundaries of the claimed design and form no part of the claimed design. The zig-zag and dotted broken lines depict stitching and form no part of the claimed design. The dashed broken lines depict portions of the bag that form no part of the claimed design.

1 Claim, 5 Drawing Sheets

(56) **References Cited**
U.S. PATENT DOCUMENTS

1,001,729 A 8/1911 Buchanan et al.
1,113,757 A 10/1914 Crutcher et al.
1,305,797 A 6/1919 Henderson
1,378,928 A 5/1921 Witzel
1,386,557 A 8/1921 Duquesnoy
D107,596 S 12/1937 Felmann
2,188,899 A 2/1940 Hebbard et al.



(56)

References Cited

U.S. PATENT DOCUMENTS

2,575,191	A	11/1951	Seipp	D717,041	S	11/2014	Pulliam
2,771,112	A	11/1956	Ingram	D718,931	S	12/2014	Brundl
2,871,900	A	2/1959	Auditore	D720,131	S	12/2014	Siegel et al.
3,121,452	A	2/1964	Hyman	D722,233	S	2/2015	Inskeep
4,116,253	A	9/1978	Watsky	D732,348	S	6/2015	Seiders et al.
4,117,874	A	10/1978	Berenguer	D732,349	S	6/2015	Seiders et al.
4,180,111	A	12/1979	Davis	D732,350	S	6/2015	Seiders et al.
4,211,091	A	7/1980	Campbell	D732,899	S	6/2015	Seiders et al.
D263,650	S	4/1982	Schimmel	D739,654	S	9/2015	Brouard
D265,948	S	8/1982	Stark	D743,699	S	11/2015	Wieden
4,378,866	A	4/1983	Pelavin	D745,268	S	12/2015	Slimane
D281,546	S	12/1985	Bradshaw	9,254,022	B2	2/2016	Meldeau et al.
D282,602	S	2/1986	Allen	D752,347	S	3/2016	Seiders et al.
4,592,091	A	5/1986	Italici	D752,860	S	4/2016	Barilaro et al.
4,610,286	A	9/1986	Cyr	9,307,814	B2	4/2016	Pulliam
4,723,300	A	2/1988	Aranow	D758,717	S	6/2016	Joo et al.
4,812,054	A	3/1989	Kirkendall	D758,731	S	6/2016	Noh
4,961,522	A	10/1990	Weber	D760,494	S	7/2016	Harvey-Pankey
4,966,279	A	10/1990	Pearcy	D761,561	S	7/2016	Cheng
5,143,188	A	9/1992	Robinet	D762,378	S	8/2016	Domotor et al.
D340,621	S	10/1993	Melk	D763,570	S	8/2016	Potts
D340,840	S	11/1993	Melk	D763,575	S	8/2016	Tiscareno-Rippe et al.
5,490,396	A	2/1996	Morris	D764,791	S	8/2016	Patel
5,507,542	A	4/1996	Eden	D765,394	S	9/2016	Moore
5,620,069	A	4/1997	Hurwitz	D768,987	S	10/2016	Blumenfeld
D387,626	S	12/1997	Melk	D769,616	S	10/2016	Keene
5,813,445	A	9/1998	Christman	D770,759	S	11/2016	Gamble et al.
5,848,734	A	12/1998	Melk	D770,763	S	11/2016	Joo et al.
D422,411	S	4/2000	Martin	D773,813	S	12/2016	Jakubowski
6,092,661	A	7/2000	Mogil	D774,747	S	12/2016	Gamble et al.
D447,632	S	9/2001	Gisser	D776,929	S	1/2017	Noh
6,409,066	B1	6/2002	Schneider et al.	D778,045	S	2/2017	Ruddis
6,640,856	B1	11/2003	Tucker	9,578,937	B2	2/2017	Kern et al.
D491,354	S	6/2004	Chapelier	D782,820	S	4/2017	Thompson
D497,050	S	10/2004	Grambush	D784,010	S	4/2017	Dumas
6,810,933	B2	11/2004	Gordon et al.	D785,325	S	5/2017	Samrelius et al.
7,071,150	B2	7/2006	Genuyt et al.	D785,930	S	5/2017	Sassi
7,073,942	B2	7/2006	Vazquez	D786,559	S	5/2017	Seiders et al.
D525,785	S	8/2006	Suppangig	D786,560	S	5/2017	Seiders et al.
D526,120	S	8/2006	Lee et al.	D786,561	S	5/2017	Seiders et al.
D535,820	S	1/2007	Kamiya	D786,562	S	5/2017	Seiders et al.
D536,170	S	2/2007	Elson	D787,187	S	5/2017	Seiders et al.
D582,151	S	12/2008	Gonzalez	D787,818	S	5/2017	Gerbelle
D587,010	S	2/2009	Deck	D787,823	S	5/2017	Nair
D596,396	S	7/2009	McCoy et al.	D789,080	S	6/2017	Caffagni
7,581,886	B2	9/2009	Nitti	D789,081	S	6/2017	Sassi
7,597,478	B2	10/2009	Pruchnicki et al.	D789,082	S	6/2017	Barilaro et al.
D603,606	S	11/2009	Wang	D797,454	S	9/2017	Seiders et al.
D611,706	S	3/2010	Angles et al.	D797,455	S	9/2017	Seiders et al.
7,682,080	B2	3/2010	Mogil	D798,670	S	10/2017	Seiders et al.
D617,553	S	6/2010	Shaw	D799,276	S	10/2017	Seiders et al.
7,730,739	B2	6/2010	Fuchs	D799,277	S	10/2017	Seiders et al.
7,762,294	B2	7/2010	Wang	D800,444	S	10/2017	Burton et al.
D621,609	S	8/2010	Hasty	D802,297	S	11/2017	Dumas
D626,329	S	11/2010	Chapelier	D802,373	S	11/2017	Seiders et al.
D629,612	S	12/2010	Weldon	D805,851	S	12/2017	Sullivan et al.
D630,013	S	1/2011	Yu	D808,157	S	1/2018	Viger et al.
D630,844	S	1/2011	Wang et al.	D808,655	S	1/2018	Seiders et al.
D632,074	S	2/2011	Chan et al.	D808,730	S	1/2018	Sullivan et al.
D637,809	S	5/2011	Meldeau	D811,746	S	3/2018	Seiders et al.
D651,397	S	1/2012	Lett	D814,793	S	4/2018	Dean
8,092,087	B2	1/2012	Simhony et al.	D814,879	S	4/2018	Larson et al.
8,132,601	B2	3/2012	Wang	D817,106	S	5/2018	Larson et al.
D663,522	S	7/2012	Schiffman	D817,107	S	5/2018	Larson et al.
D673,772	S	1/2013	Munson et al.	D819,967	S	6/2018	Carter et al.
D684,767	S	6/2013	Gerbi	D821,092	S	6/2018	Starck
D686,412	S	7/2013	Guichot	D821,094	S	6/2018	Dragicevic
D690,100	S	9/2013	Alfaks	D821,825	S	7/2018	Sullivan et al.
D695,568	S	12/2013	Hayes	D822,987	S	7/2018	Seiders et al.
D701,041	S	3/2014	Burnett	D822,997	S	7/2018	Seiders et al.
D711,096	S	8/2014	Hanna	D822,998	S	7/2018	Seiders et al.
D711,098	S	8/2014	Rossignuolo	D822,999	S	7/2018	Seiders et al.
D711,100	S	8/2014	Dingizian	D823,601	S	7/2018	Seiders et al.
D715,544	S	10/2014	Levine	D823,602	S	7/2018	Seiders et al.
D717,040	S	11/2014	Swartzel et al.	D824,666	S	8/2018	Carter et al.
				D824,731	S	8/2018	Sullivan et al.
				D830,132	S	10/2018	Sullivan et al.
				D830,133	S	10/2018	Sullivan et al.
				D830,134	S	10/2018	Sullivan et al.

(56)

References Cited

U.S. PATENT DOCUMENTS

D832,571 S 11/2018 Franklin-Daisey
 D832,579 S 11/2018 Monroe et al.
 D835,949 S 12/2018 Triska et al.
 D836,996 S 1/2019 Jacobsen
 D837,000 S 1/2019 Jacobsen
 D837,001 S 1/2019 Jacobsen
 D838,977 S 1/2019 Dragicevic
 10,226,110 B2 3/2019 Hayashi
 D844,992 S 4/2019 Seiders et al.
 D845,619 S 4/2019 Cronkshaw
 D845,626 S 4/2019 Dunleavy et al.
 10,244,841 B2 4/2019 Hayashi
 D849,406 S 5/2019 Dehmoubed et al.
 D851,404 S 6/2019 Seiders et al.
 D853,728 S * 7/2019 Seiders D3/318
 10,384,855 B2 8/2019 Seiders et al.
 D859,812 S * 9/2019 Seiders D3/201
 D859,813 S 9/2019 Seiders et al.
 D859,815 S * 9/2019 Seiders D3/201
 D860,634 S 9/2019 Seiders et al.
 10,413,030 B1 9/2019 Douglas et al.
 D861,338 S * 10/2019 Seiders D3/246
 D868,545 S 12/2019 Lin et al.
 D871,074 S * 12/2019 Seiders D3/318
 D871,750 S 1/2020 Noh
 D871,765 S 1/2020 Seiders et al.
 D880,862 S 4/2020 Seiders et al.
 D885,746 S * 6/2020 Evancho D3/201
 D886,537 S * 6/2020 Jacobsen D7/607
 D886,538 S * 6/2020 Jacobsen D7/607
 D886,539 S * 6/2020 Jacobsen D7/607
 D887,699 S * 6/2020 Bullock D3/201
 10,827,808 B2 * 11/2020 Seiders A45C 13/103
 D904,830 S * 12/2020 Meda D7/607
 10,981,716 B2 * 4/2021 Seiders A45C 13/008
 D918,570 S * 5/2021 Seiders D3/201
 10,994,918 B1 * 5/2021 Seiders A45C 3/001
 D920,678 S * 6/2021 Seiders D3/318
 D923,323 S * 6/2021 Seiders D3/201
 D931,614 S * 9/2021 Seiders D3/318
 D934,031 S 10/2021 Li et al.
 D948,954 S 4/2022 Seiders et al.
 D958,524 S 7/2022 Carrouee et al.
 2004/0055679 A1 3/2004 Gordon et al.
 2005/0011520 A1 1/2005 Rowe
 2005/0028910 A1 2/2005 Duty
 2006/0198562 A1 9/2006 Mogil
 2006/0201979 A1 9/2006 Achilles
 2007/0137960 A1 6/2007 Redzisz
 2008/0083629 A1 4/2008 Soucie
 2010/0084443 A1 4/2010 Adelman
 2010/0200450 A1 8/2010 Weed
 2010/0282378 A1 11/2010 Scozzafava
 2011/0036473 A1 2/2011 Chan et al.
 2011/0167863 A1 7/2011 Herrbold
 2011/0283519 A1 11/2011 Pranger
 2011/0311166 A1 12/2011 Pascua
 2012/0328220 A1 12/2012 Kayata
 2013/0133795 A1 5/2013 Zhou et al.
 2013/0216158 A1 * 8/2013 Meldeau A45C 3/04
 383/24
 2014/0248003 A1 9/2014 Mogil et al.
 2014/0353347 A1 12/2014 Fischer
 2014/0369629 A1 12/2014 De La Fuente Lara
 2015/0201722 A1 7/2015 Brouard
 2015/0225164 A1 8/2015 Seiders et al.
 2015/0265015 A1 9/2015 Lee
 2015/0265020 A1 9/2015 McCue et al.
 2016/0083147 A1 3/2016 Mauro
 2016/0257479 A1 * 9/2016 Seiders B65D 81/3897
 2016/0338462 A1 11/2016 Hayashi
 2017/0017596 A1 1/2017 Jang et al.
 2017/0036844 A1 2/2017 Seiders et al.
 2017/0071304 A1 3/2017 Wang

2017/0099920 A1 4/2017 Bailey
 2017/0210542 A1 * 7/2017 Seiders A45C 13/008
 2018/0317620 A1 11/2018 Larson et al.

FOREIGN PATENT DOCUMENTS

CA 2548064 A1 11/2007
 CN 2188899 Y 2/1995
 CN 1378928 A 11/2002
 CN 1533868 A 10/2004
 CN 2855170 Y 1/2007
 CN 201011906 Y 1/2008
 CN 201409565 Y 2/2010
 CN 301447931 S 1/2011
 CN 302137314 10/2012
 CN 202760433 U 3/2013
 CN 302868215 7/2014
 CN 302877656 7/2014
 CN 204499726 U 7/2015
 CN 304154180 6/2017
 CN 304181831 6/2017
 CN 304207295 7/2017
 CN 304342577 11/2017
 CN 206760980 U 12/2017
 CN 304527075 3/2018
 DE 4020162036690001 10/2017
 EM 000122668-0002 5/2004
 EM 001067250-0003 2/2009
 EM 001188460-0003 2/2010
 EM 001188460-0004 2/2010
 EM 001725466-0003 S 7/2010
 EM 001909490-0001 8/2011
 EM 001952722-0008 11/2011
 EM 002073452-0001 8/2012
 EM 002085308-0003 8/2012
 EM 002163527-0017 1/2013
 EM 002225706-0001 5/2013
 EM 002262436-0001 7/2013
 EM 002264697-0002 7/2013
 EM 002284729-0004 8/2013
 EM 002476853-0001 6/2014
 EM 002476853-0002 6/2014
 EM 002530519-0001 9/2014
 EM 002605345-0004 12/2014
 EM 002609404-0001 1/2015
 EM 002676536-0001 6/2015
 EM 003117324-0009 5/2016
 EM 003329929-0001 8/2016
 EM 003409044-0008 10/2016
 EM 003504331-0027 12/2016
 EM 003733021-0001 2/2017
 EP 0037545 A2 10/1981
 EP 1386557 A1 2/2004
 EP 2461711 6/2012
 EP 3020303 A1 5/2016
 EP 003811264-0010 3/2017
 EP 003841857-0002 4/2017
 EP 004122430-0001 8/2017
 EP 004162337-0001 9/2017
 EP 004162337-0002 9/2017
 EP 004162337-0003 9/2017
 EP 004162337-0004 9/2017
 EP 004162337-0005 9/2017
 EP 004162337-0006 9/2017
 EP 004424059-0002 10/2017
 EP 004417749-0003 11/2017
 EP 004494086-0016 11/2017
 EP 004494086-0017 11/2017
 EP 002719245-0001 1/2018
 EP 005269248-0002 5/2018
 EP 005303559-0001 7/2018
 EP 005303559-0003 7/2018
 FR 1113757 A 4/1956
 GB 968422 A 9/1964
 GB 2225103 A 5/1990
 JP 1123533 S 10/2001
 JP 2004073820 A 3/2004
 KR 200177739 Y1 5/2000
 WO 2007071150 A1 6/2007

(56)

References Cited

FOREIGN PATENT DOCUMENTS

WO	2017017596	A1	2/2017
WO	2017079315	A1	5/2017
WO	2017088278	A1	6/2017
WO	2017132598	A1	8/2017

OTHER PUBLICATIONS

United States District Court Southern District of Texas Houston Division, “Plaintiff Yeti’s Complaint for Patent Infringement”, *Yeti Coolers, LLC v. Igloo Products Corporation*, Case 4:21-cv-00505, filed Feb. 12, 2021, 98 pages.

United States District Court Eastern District of Missouri Eastern Division, “Complaint, ‘Complaint for Damages and Injunctive Relief’”, *Yeti Coolers, LLC v. Discover Home Products, LLC*, Case 4:21-cv-00836, Document 1, filed Jul. 9, 2021, 68 pages.

United States District Court Western District of Texas, Austin Division, “First Amended Complaint, ‘Complaint for Damages and Injunctive Relief tor: (1)-(15) Patent Infringement in Violation of 35 U.S.C. § 271; and (16) Breach of Contract’”, *Yeti Coolers, LLC v. RTIC Outdoors, LLC; and Corporate Support & Fulfillment, LLC*, Case 1:21-cv-00214-RP, Document 10, filed Jun. 2, 2021, 39 pages.

United States District Court Western District of Texas, Austin Division, “Answer of Defendants RTIC Outdoors, LLC and Corporate Support & Fulfillment, LLC to Yeti’s Amended Complaint: (1)-(15) Patent Infringement in Violation of 35 U.S.C. § 271; and (16) Breach of Contract”, *Yeti Coolers, LLC v. RTIC Outdoors, LLC; and Corporate Support & Fulfillment, LLC*, Case 1:21-cv-00214-RP, Document 16, filed Jun. 17, 2021, 79 pages (See pp. 45, 46, 66-77 alleging invalidity).

Reusable Shopping Bag, ADK Packworks™ The Packbasket™ Reusable Shopping Bag, [retrieved Jun. 13, 2017], Date unknown but at least as early as Jun. 13, 2017.

FRAKTA Shopping bag, <http://www.ikea.com/us/en/catalog/products/17228340/>, [retrieved Jun. 13, 2017], Date unknown but at least as early as Jun. 13, 2017.

3Pcs Eco Friendly Large Capacity Reuseable Shopping bag, <http://www.dhgate.com/product/3pcs-eco-friendly-large-capacity-reuseable/395600522.html#s2-28-1;disc%7C2511216197>, [retrieved Jun. 13, 2017], Date unknown but as early as Jun. 13, 2017.

Wholesale Shopping Bag, <http://www.dhgate.com/product/2017-factory-wholesale-shopping-bags-polyester/394587619.html#s1-9-1;disc%7C3274647288>, [retrieved Jun. 13, 2017], Date unknown but as early as Jun. 13, 2017.

Press Release—Portable Hopper 30 Cooler [online], [retrieved Jun. 14, 2017], Retrieved from Internet <URL: <http://yeti.com/press-releases/hopper-30>>; 2 color sheets, Dated Jul. 9, 2014.

Yeti Reinvents the Hopper [online], [retrieved Jun. 14, 2017], Retrieved from Internet <URL: <http://yeti.com/press-releases/hopper-two-soft-cooler>>; 2 color sheets, Dated Feb. 1, 2017.

RTIC, “Large Beach Bag”, <<https://www.rticcoolers.com/shop/travel/Large-Beach-Bag-Sky-Blue>> [retrieved Dec. 26, 2018], Date unknown but at least as early as Dec. 26, 2018.

RTIC, “RTIC Large Beach Bag” (<https://www.amazon.com/RTIC-Large-Beach-Bag/dp/B07FQYKF8Q?th=1>), first available online Jul. 20, 2018. (Year: 2018).

Jul. 26, 2019—(CN) First Office Action—App 20180157521.6.

Mar. 30, 2020—(CN) Office Action—App. No. 201810157521.6.

Apr. 23, 2020—U.S. Final Office Action—U.S. Appl. No. 15/903,867.

Sep. 16, 2020—(CN) Rejection Decision—App. No. 201810157521.6.

United States District Court Western District of Texas, Austin Division, “Second Amended Complaint”, *Yeti Coolers, LLC v. RTIC Outdoors, LLC; and Corporate Support & Fulfillment, LLC*, Case 1:21-cv-00214-RP, Document 33, filed Dec. 17, 2021, 489 pages.

United States District Court Western District of Texas, Austin Division, “Answer of Defendants RTIC Outdoors, LLC and Corporate Support & Fulfillment, LLC to Yeti’s Second Amended Complaint, Jury Trial Demanded”, *Yeti Coolers, LLC v. RTIC Outdoors, LLC; and Corporate Support & Fulfillment, LLC*, Case 1:21-cv-00214-RP, Document 34, filed Jan. 3, 2022, 92 pgs.

United States District Court Western District of Texas Austin Division, “Defendants RTIC Outdoors, LLC’s and Corporate Support & Fulfillment, LLC’s Invalidity Contentions”, *Yeti Coolers, LLC v. RTIC Outdoors, LLC and Corporate Support & Fulfillment, LLC*, Case No. 1:21-cv-00214, Jury Trial Demanded, filed Jan. 17, 2022, 3173 pages.

Exhibits C-8, D-6, E-6, and F-6 “Filson Rugged Twill Bucket Bag”, U.S. District Court Western District of Texas, “Defendants RTIC Outdoors, LLC’s and Corporate Support & Fulfillment, LLC’s Invalidity Contentions”, *Yeti Coolers, LLC v. RTIC Outdoors, LLC*, Case No. 1:21-cv-00214, Jan. 17, 2022, pp. 486-491, 568-582, 649-661, and 722-735.

* cited by examiner

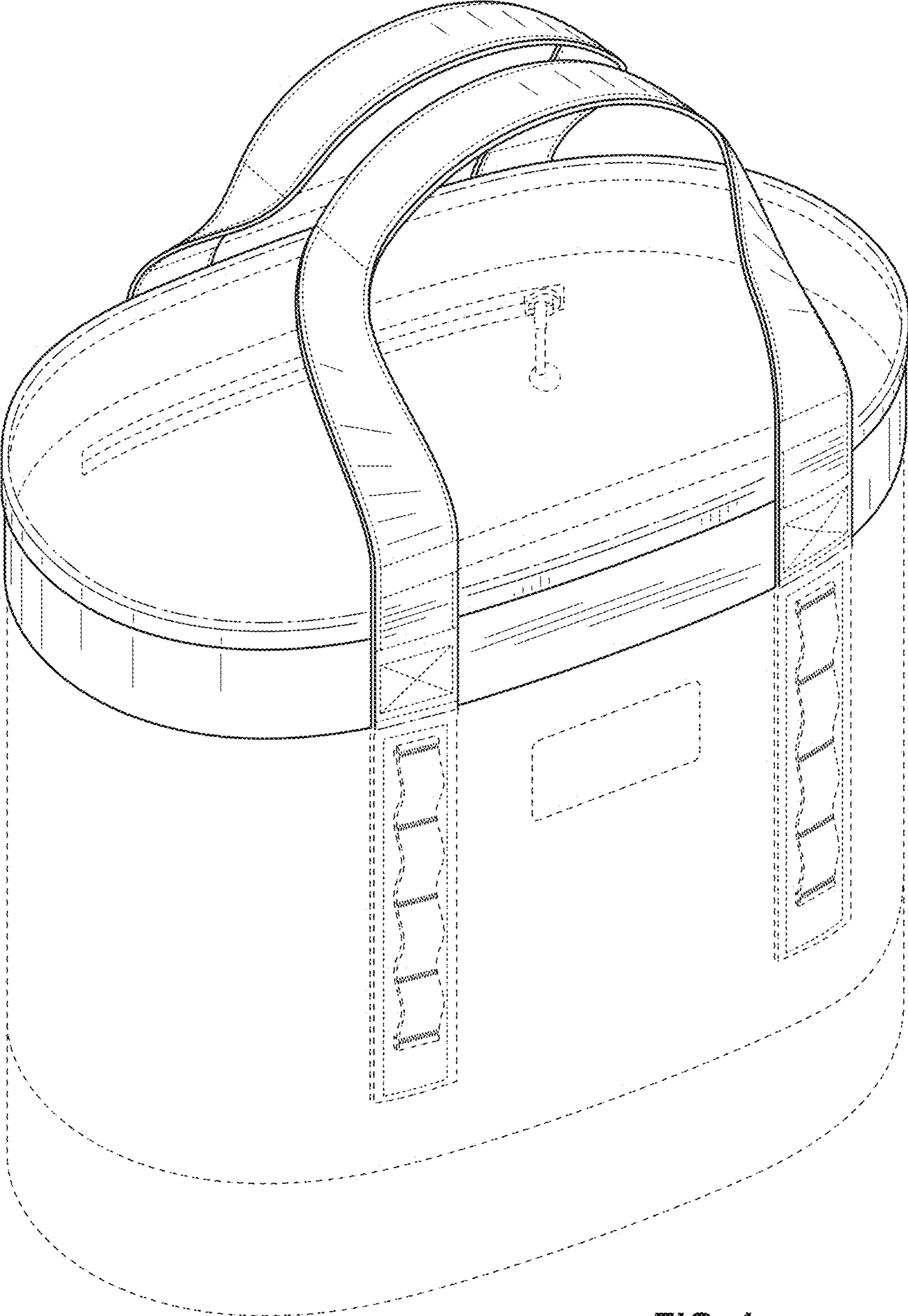


FIG. 1

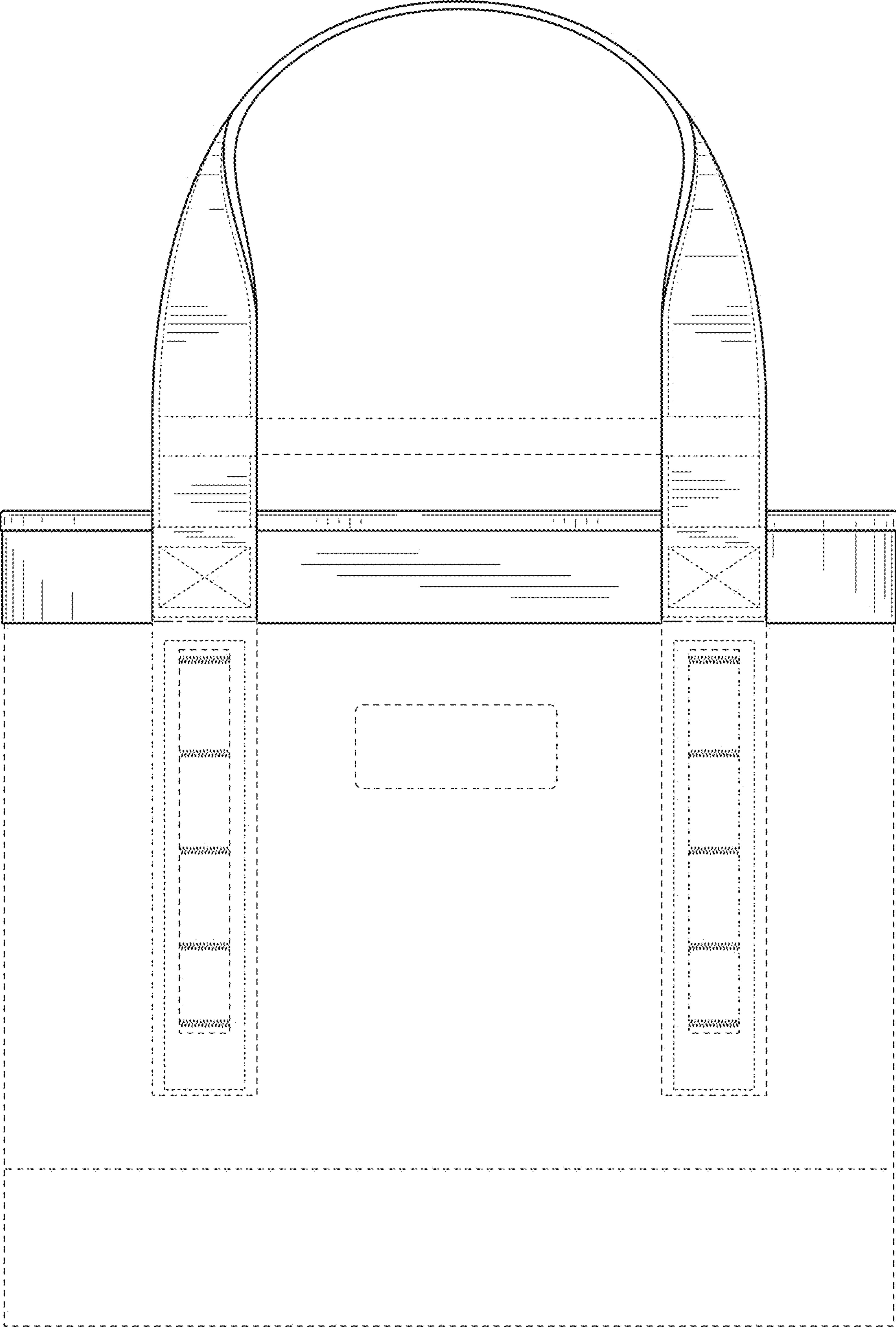


FIG. 2

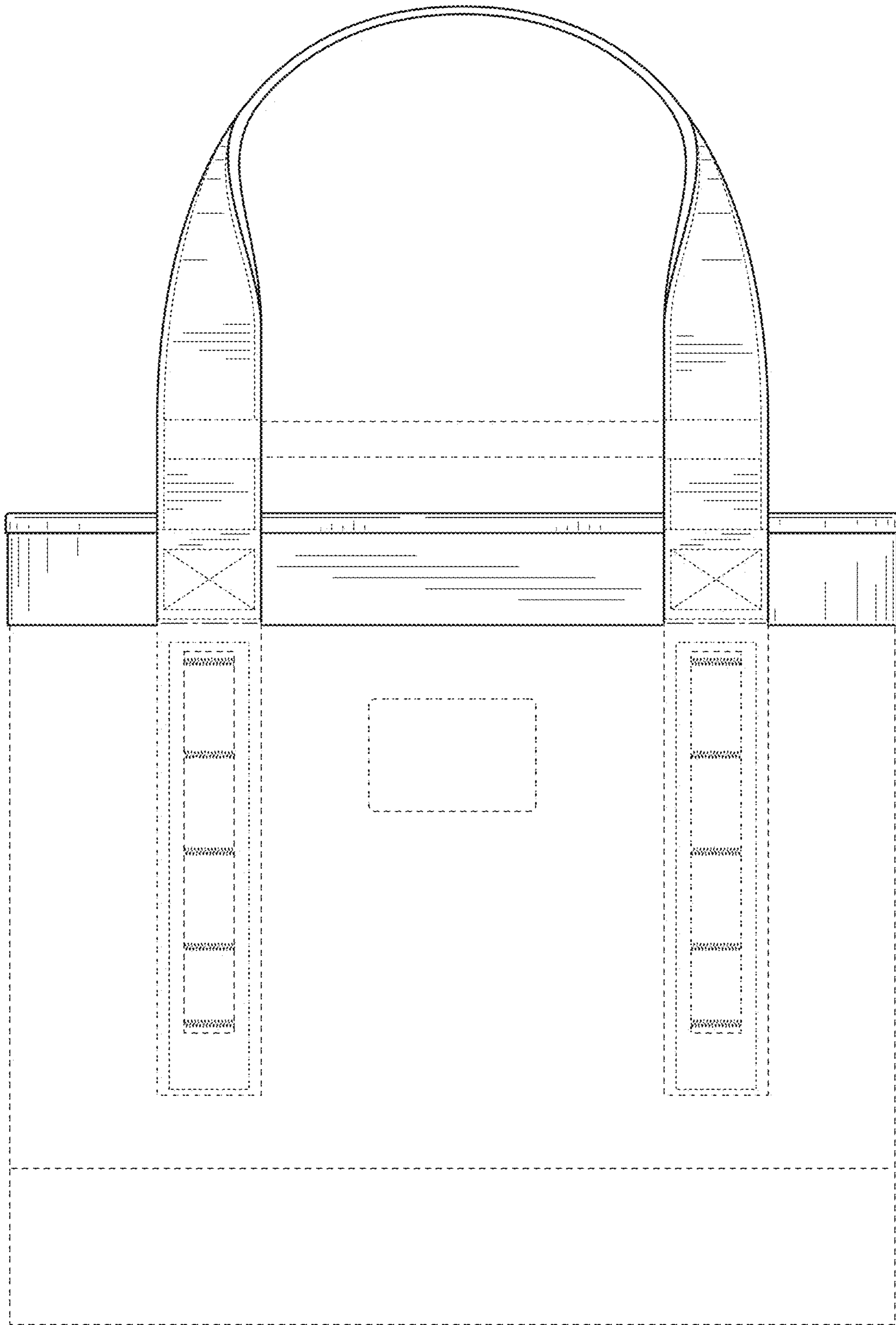


FIG. 3

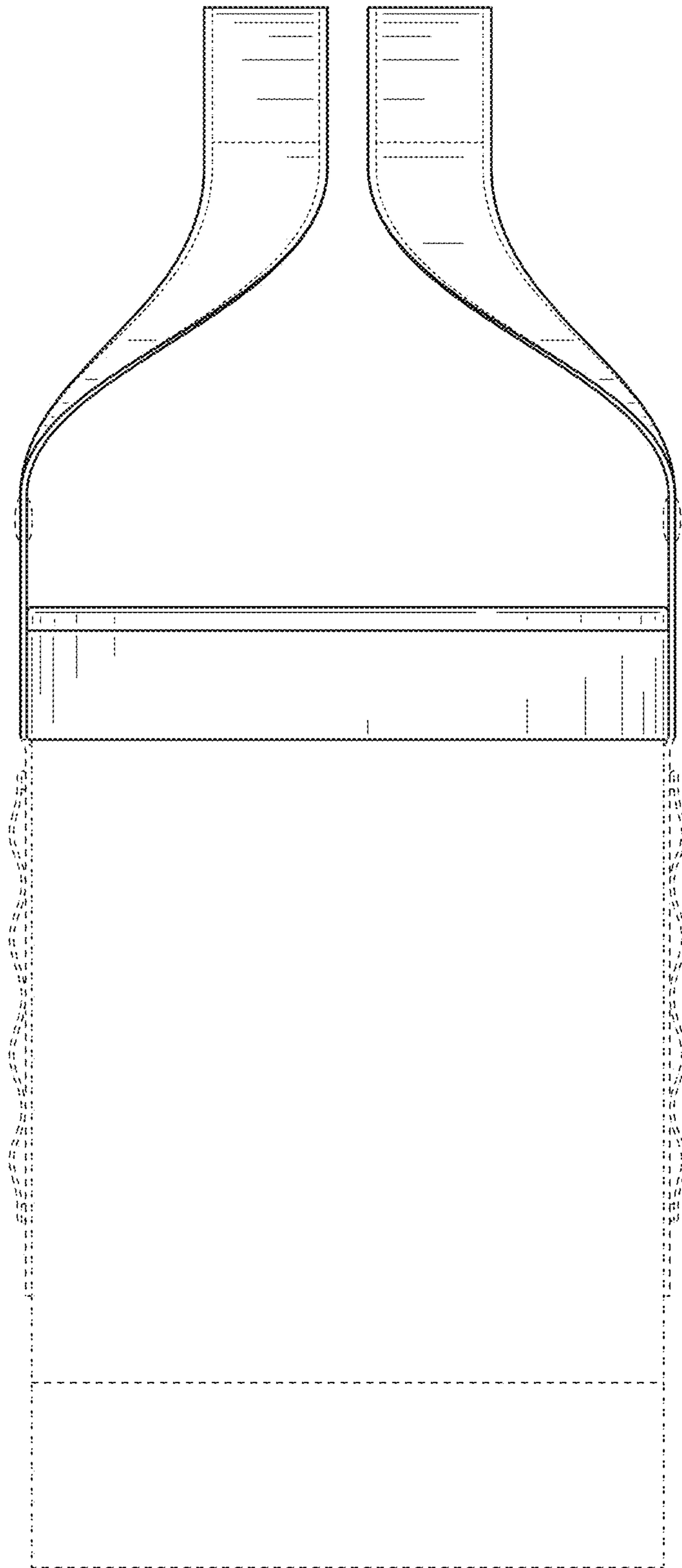


FIG. 4

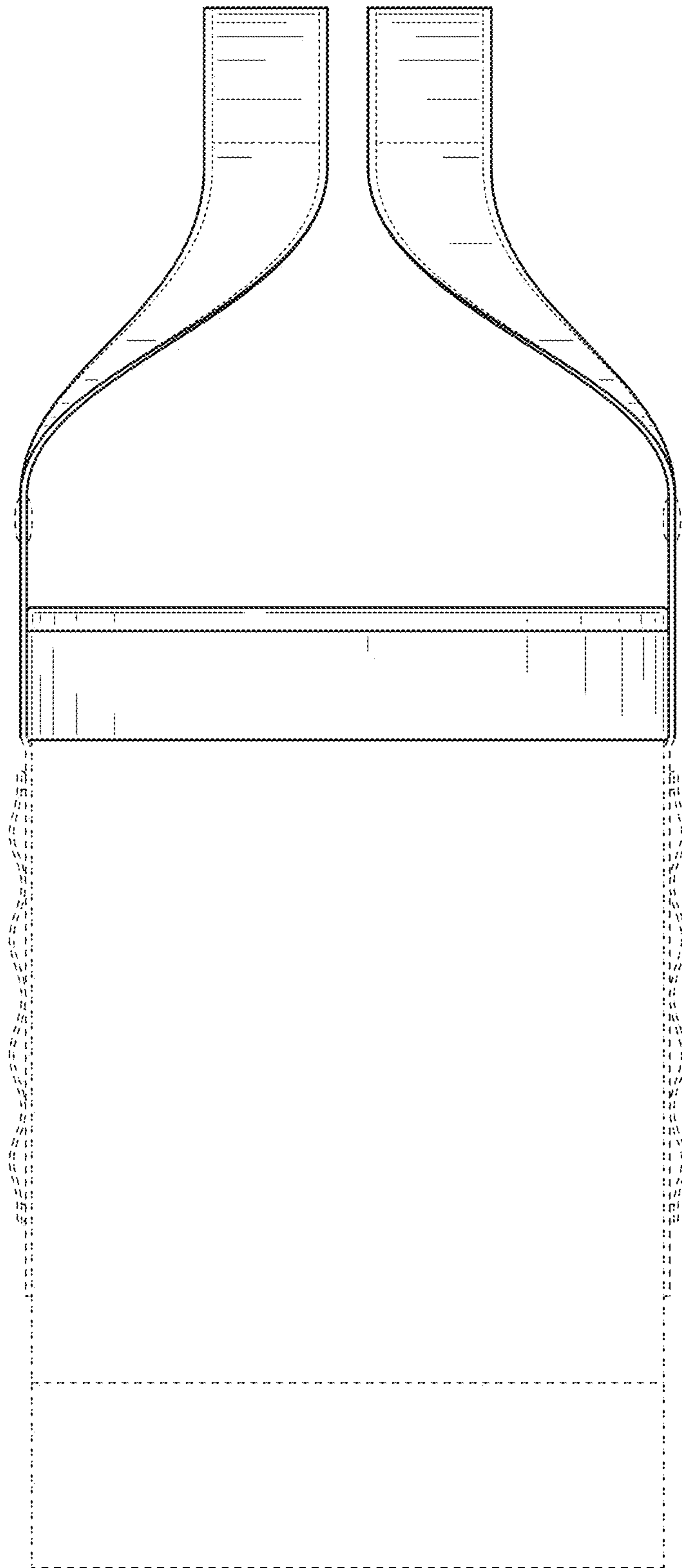


FIG. 5