



US00D974738S

(12) **United States Design Patent** (10) **Patent No.:** **US D974,738 S**  
**Song** (45) **Date of Patent:** **\*\* Jan. 10, 2023**

(54) **UMBRELLA BASE**

(71) Applicant: **Xiujuan Song**, Zhejiang (CN)

(72) Inventor: **Xiujuan Song**, Zhejiang (CN)

(\*\*) Term: **15 Years**

(21) Appl. No.: **29/791,255**

(22) Filed: **Jan. 6, 2022**

(51) **LOC (14) Cl.** ..... **03-03**

(52) **U.S. Cl.**  
USPC ..... **D3/10**

(58) **Field of Classification Search**  
USPC ..... D3/5, 10  
CPC ..... A45B 9/00; A45B 2009/002; A45B  
2023/0012; A45B 2023/0031; A45B  
2025/003; E04H 12/22; E04H 12/2238;  
E04H 12/2246

See application file for complete search history.

(56) **References Cited**

**U.S. PATENT DOCUMENTS**

4,591,126	A *	5/1986	Berney	.....	F16M 11/22 248/524
D285,883	S *	9/1986	Tegze	.....	D3/10
D286,116	S *	10/1986	Tegze	.....	D3/10
D305,702	S *	1/1990	Taliani	.....	D3/10
5,354,031	A *	10/1994	Bilotti	.....	E04H 12/2238 248/910
6,446,930	B1 *	9/2002	Li	.....	E04H 12/2238 135/15.1
D470,305	S *	2/2003	Clarke	.....	D3/10
D484,303	S *	12/2003	Taylor	.....	D3/10
D485,055	S *	1/2004	Taylor	.....	D3/10
D516,297	S *	3/2006	Smith	.....	D3/10
D550,950	S *	9/2007	Vanderminden	.....	D3/10
D568,603	S *	5/2008	Smith	.....	D3/10
D573,786	S *	7/2008	Smith	.....	D3/10
D578,749	S *	10/2008	Ng	.....	D3/10
D609,899	S *	2/2010	Lai	.....	D3/10

(Continued)

**OTHER PUBLICATIONS**

Fruiteam Mobile Umbrella Base, Umbrella stands and bases, nepal.ubuy.com, <https://www.nepal.ubuy.com/en/product/4XHL2LOKC-fruiteam-mobile-umbrella-base-with-4-wheels-and-2-locks-fillable-patio-umbrella-base-heavy-duty-market-stand-water-or-sand-filled-stand-for-outdoor> (Year: 2022).\*

(Continued)

*Primary Examiner* — Steven J Czyz

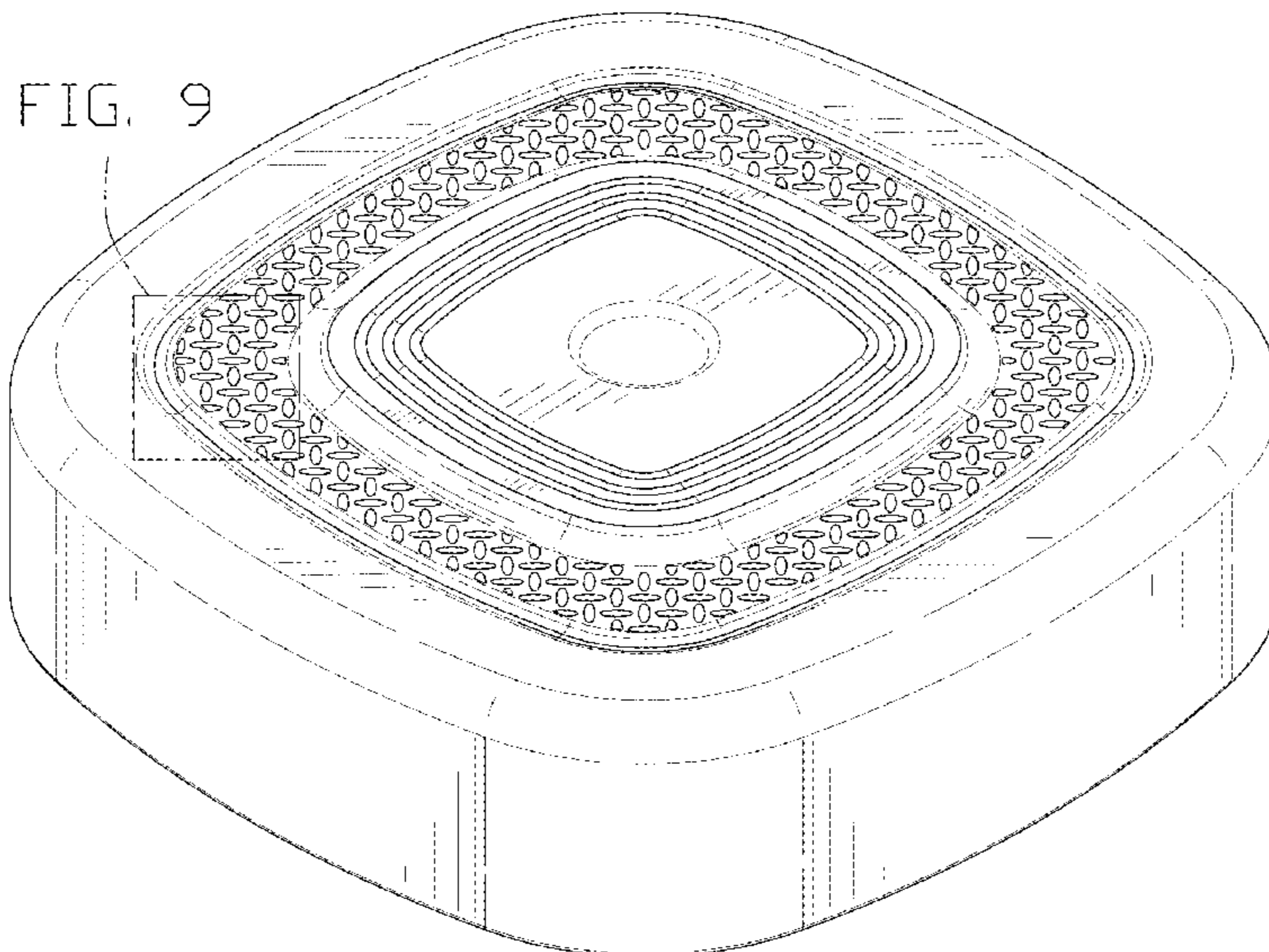
(57) **CLAIM**

The ornamental design for an umbrella base, as shown and described.

**DESCRIPTION**

FIG. 1 is a front and top perspective view of an umbrella base, showing my new design;  
 FIG. 2 is a rear and bottom perspective view thereof;  
 FIG. 3 is a front elevation view thereof;  
 FIG. 4 is a rear elevation view thereof;  
 FIG. 5 is a left side elevation view thereof;  
 FIG. 6 is a right side elevation view thereof;  
 FIG. 7 is a top plan view thereof;  
 FIG. 8 is a bottom plan view thereof;  
 FIG. 9 is an enlarged view of a portion labeled, 'FIG. 9' in FIG. 1;  
 FIG. 10 is an enlarged view of a portion labeled, 'FIG. 10' in FIG. 3; and,  
 FIG. 11 is another perspective view thereof, shown in a using position.  
 The broken lines in the figures illustrate portions of the umbrella base that form no part of the claimed design. The dash dot dash lines in FIGS. 1, 3, 9 and 10 are for the purpose of depicting the boundary lines of the enlarged views and form no part of the claimed design. The broken lines of an umbrella in FIG. 11 shown in the drawings depict environmental structure that form no part of the claimed design.

**1 Claim, 11 Drawing Sheets**



(56)

References Cited

U.S. PATENT DOCUMENTS

D625,508 S \* 10/2010 Thurrott ..... D3/10  
 D697,705 S \* 1/2014 Ma ..... D3/10  
 D721,481 S \* 1/2015 Elazar ..... D3/10  
 D724,309 S \* 3/2015 Ma ..... D3/10  
 D732,817 S \* 6/2015 Elstow ..... D3/10  
 9,057,475 B1 \* 6/2015 Macfarlane ..... E04H 12/2238  
 D740,546 S \* 10/2015 DeVaney ..... D3/10  
 D752,335 S \* 3/2016 Stedman ..... D3/10  
 D768,978 S \* 10/2016 Ma ..... D3/10  
 D771,935 S \* 11/2016 Ma ..... D3/10  
 D775,461 S \* 1/2017 Ma ..... D3/10  
 D817,631 S \* 5/2018 Weng ..... D3/10  
 10,100,969 B1 \* 10/2018 Zhu ..... A45B 23/00  
 D833,136 S \* 11/2018 Ma ..... D3/10  
 D855,967 S \* 8/2019 Ma ..... D3/10  
 D866,949 S \* 11/2019 Siegenthaler ..... D3/10  
 D868,449 S \* 12/2019 Siegenthaler ..... D3/10  
 D876,811 S \* 3/2020 Vanderminden ..... D3/10  
 D889,111 S \* 7/2020 Chaklos ..... F16M 11/22  
 D3/10  
 D917,151 S \* 4/2021 Wang ..... D3/10  
 D919,282 S \* 5/2021 Chen ..... D3/10  
 D919,955 S \* 5/2021 Chen ..... A45B 25/22  
 D3/10  
 D931,595 S \* 9/2021 Wang ..... D3/10  
 D932,765 S \* 10/2021 Li ..... D3/10  
 D934,554 S \* 11/2021 Chen ..... D3/10  
 D938,714 S \* 12/2021 He ..... D3/10  
 D946,879 S \* 3/2022 Roibin ..... A45B 25/22  
 D3/10  
 D951,624 S \* 5/2022 Kohen ..... A45B 23/00  
 D3/10  
 D952,323 S \* 5/2022 Kohen ..... A45B 25/00  
 D3/10  
 D952,324 S \* 5/2022 Kohen ..... A45B 25/00  
 D3/10  
 D955,100 S \* 6/2022 Moreno ..... A45B 23/00  
 D3/10  
 D958,518 S \* 7/2022 Ballendat ..... D3/10  
 11,459,786 B2 \* 10/2022 Leanna ..... E04H 12/2269

2002/0036008 A1 \* 3/2002 Hickam ..... E04H 12/2246  
 248/188.7  
 2002/0053631 A1 \* 5/2002 Li ..... A45B 17/00  
 248/539  
 2005/0189005 A1 \* 9/2005 Smith ..... G09F 23/00  
 135/16  
 2006/0054206 A1 \* 3/2006 Bilotti ..... A45B 11/00  
 248/129  
 2006/0231722 A1 \* 10/2006 Ma ..... E04H 12/2246  
 248/523  
 2007/0080277 A1 \* 4/2007 Chen ..... E04H 12/2246  
 248/354.3  
 2013/0146739 A1 \* 6/2013 Zhao ..... E04H 12/2246  
 248/519  
 2013/0146740 A1 \* 6/2013 Ma ..... E04H 12/2246  
 248/519  
 2013/0206954 A1 \* 8/2013 Wells ..... E04H 12/2269  
 248/523  
 2014/0227920 A1 \* 8/2014 Lovett ..... A45B 3/00  
 441/1  
 2015/0060631 A1 \* 3/2015 Pan ..... F16B 9/056  
 403/374.3  
 2015/0225041 A1 \* 8/2015 Lovett ..... A45B 11/00  
 441/32  
 2017/0130481 A1 \* 5/2017 Pozybill ..... E04H 12/2246  
 2018/0334828 A1 \* 11/2018 Pan ..... E04H 12/2246  
 2019/0153743 A1 \* 5/2019 Perreault ..... A45B 25/00  
 2019/0360229 A1 \* 11/2019 Vanderminden ..... A45B 23/00  
 2019/0376307 A1 \* 12/2019 Zhu ..... A45B 25/00  
 2020/0208429 A1 \* 7/2020 Ma ..... A45B 25/00  
 2020/0208430 A1 \* 7/2020 LeAnna ..... E04H 12/2269  
 2021/0145169 A1 \* 5/2021 Schwiebert ..... A45B 23/00  
 2021/0401133 A1 \* 12/2021 Clarke ..... E04C 3/29  
 2022/0127872 A1 \* 4/2022 Chen ..... A47B 13/16  
 2022/0195749 A1 \* 6/2022 Luo ..... A45B 25/00  
 2022/0268049 A1 \* 8/2022 Frerich ..... A45B 23/00

OTHER PUBLICATIONS

Fruiteam Umbrella Base, umbrella stands and bases, amazon.com, <https://www.amazon.com/FRUITEAM-Umbrella-Fillable-Poolside-Capacity/dp/B09QM2GLNC> (Year: 2022).\*

\* cited by examiner

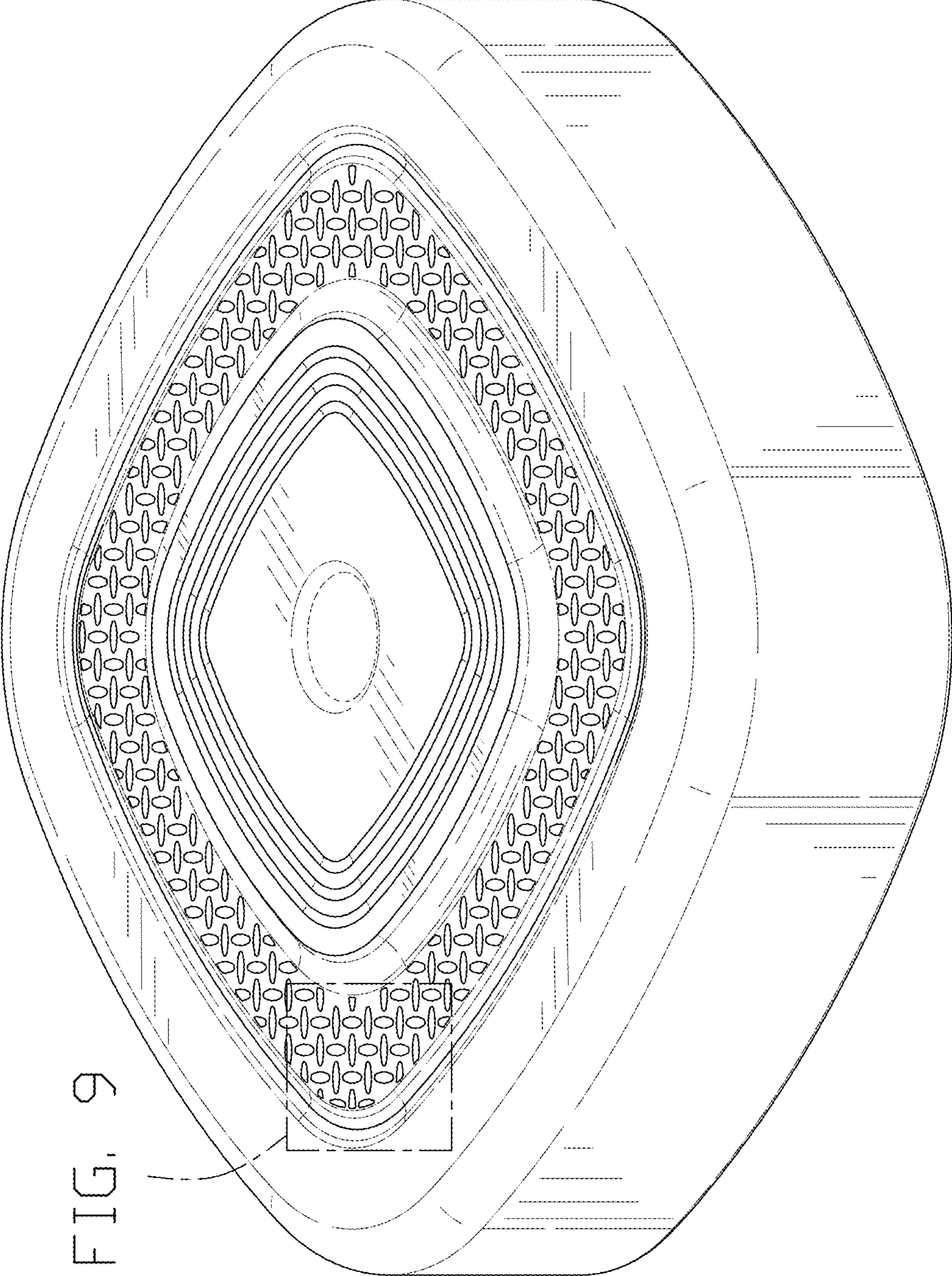


FIG. 9

FIG. 1

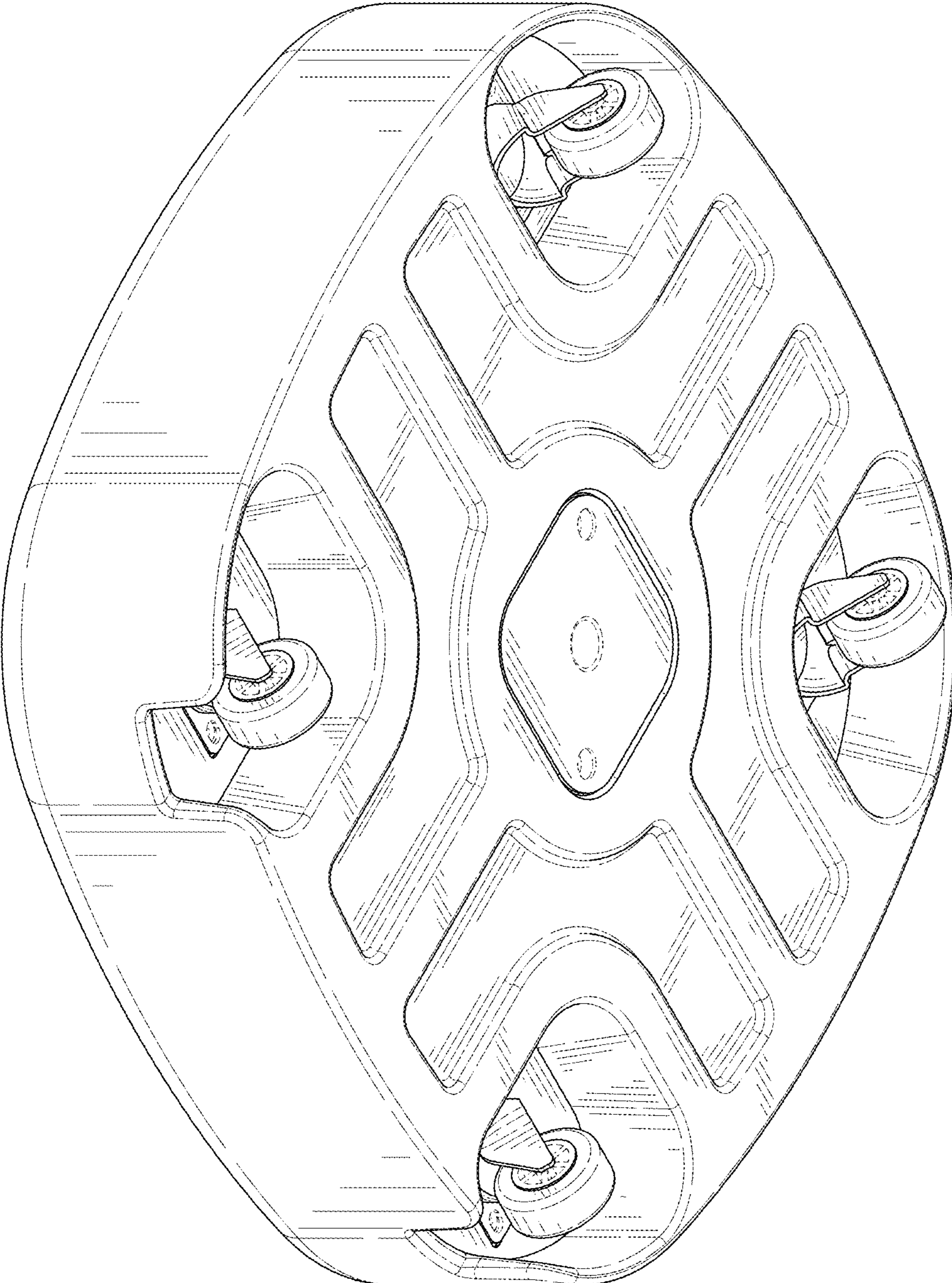


FIG. 2

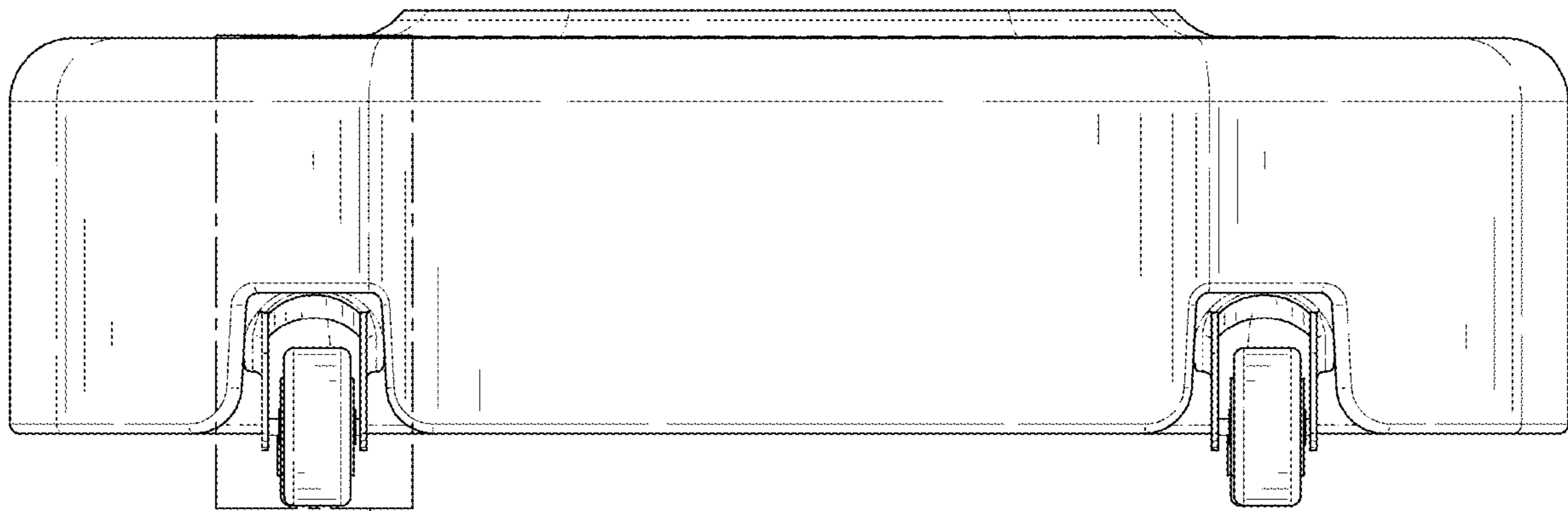


FIG. 10

FIG. 3

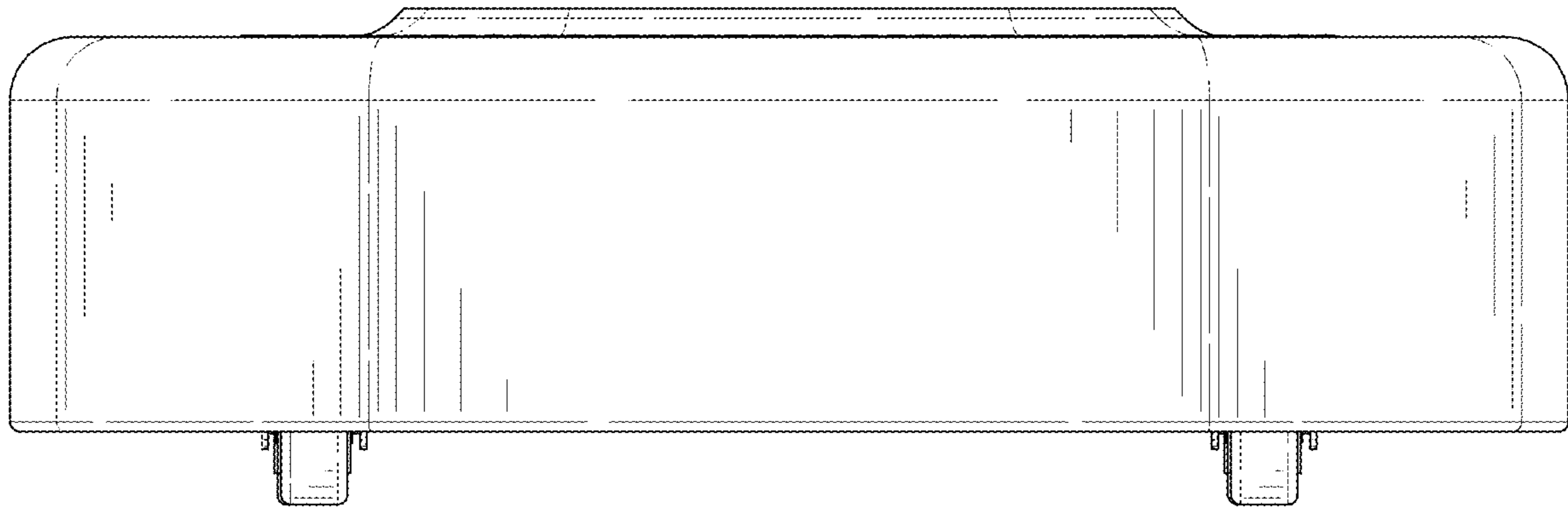


FIG. 4

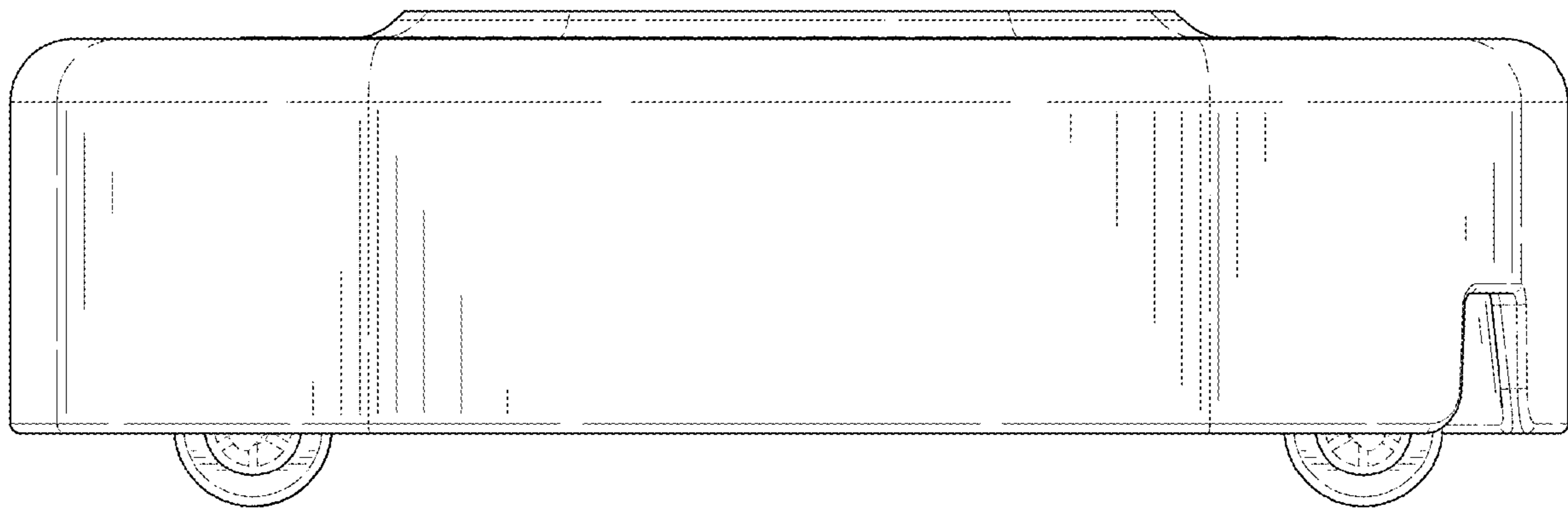


FIG. 5

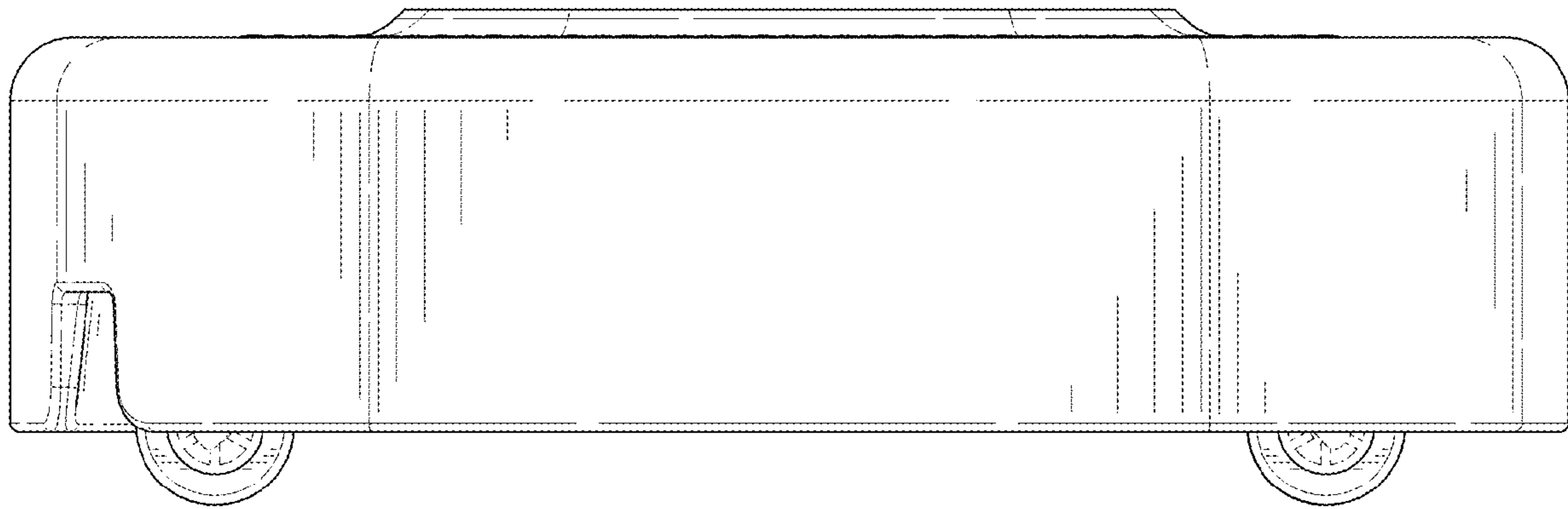


FIG. 6



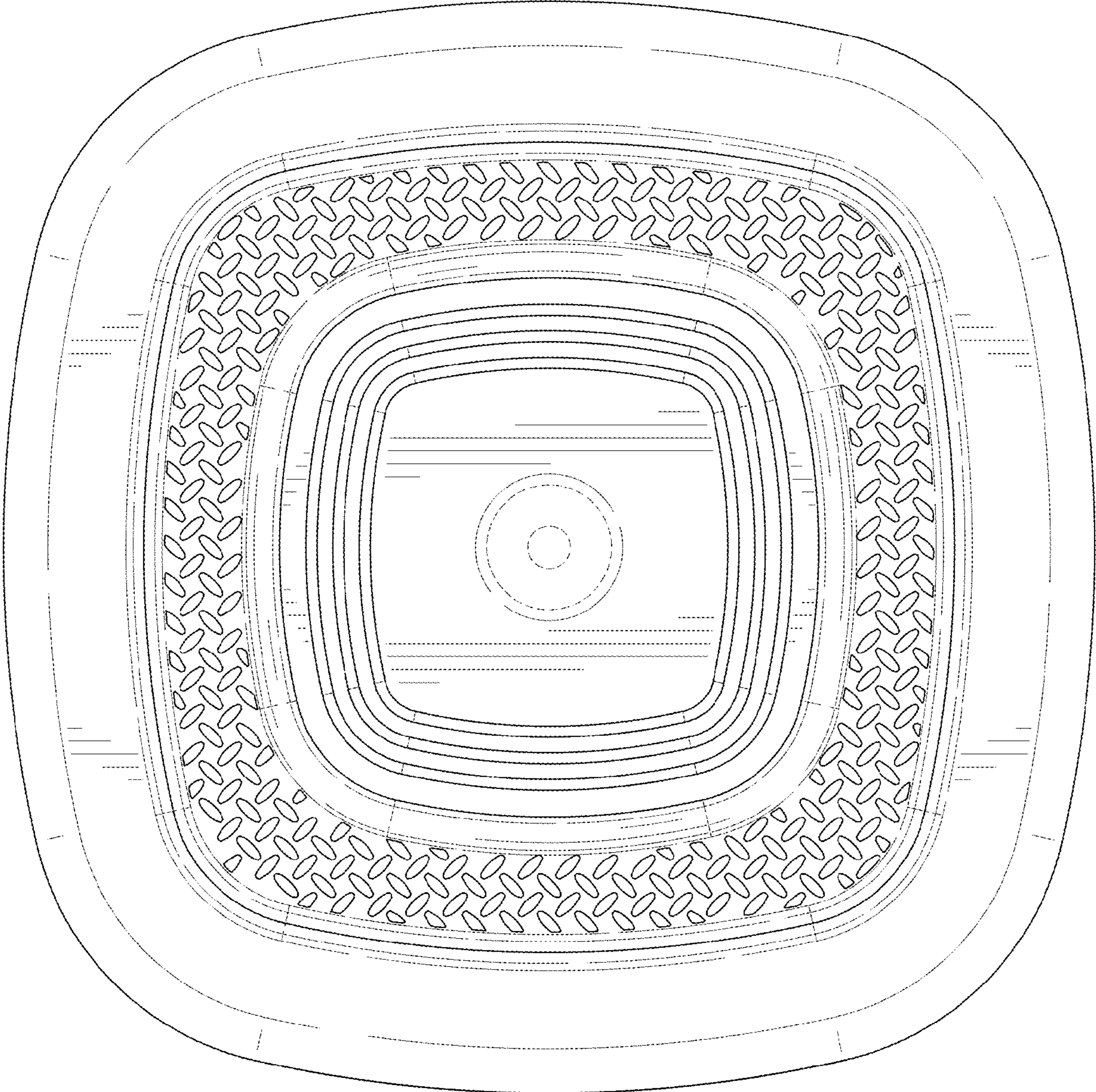


FIG. 7

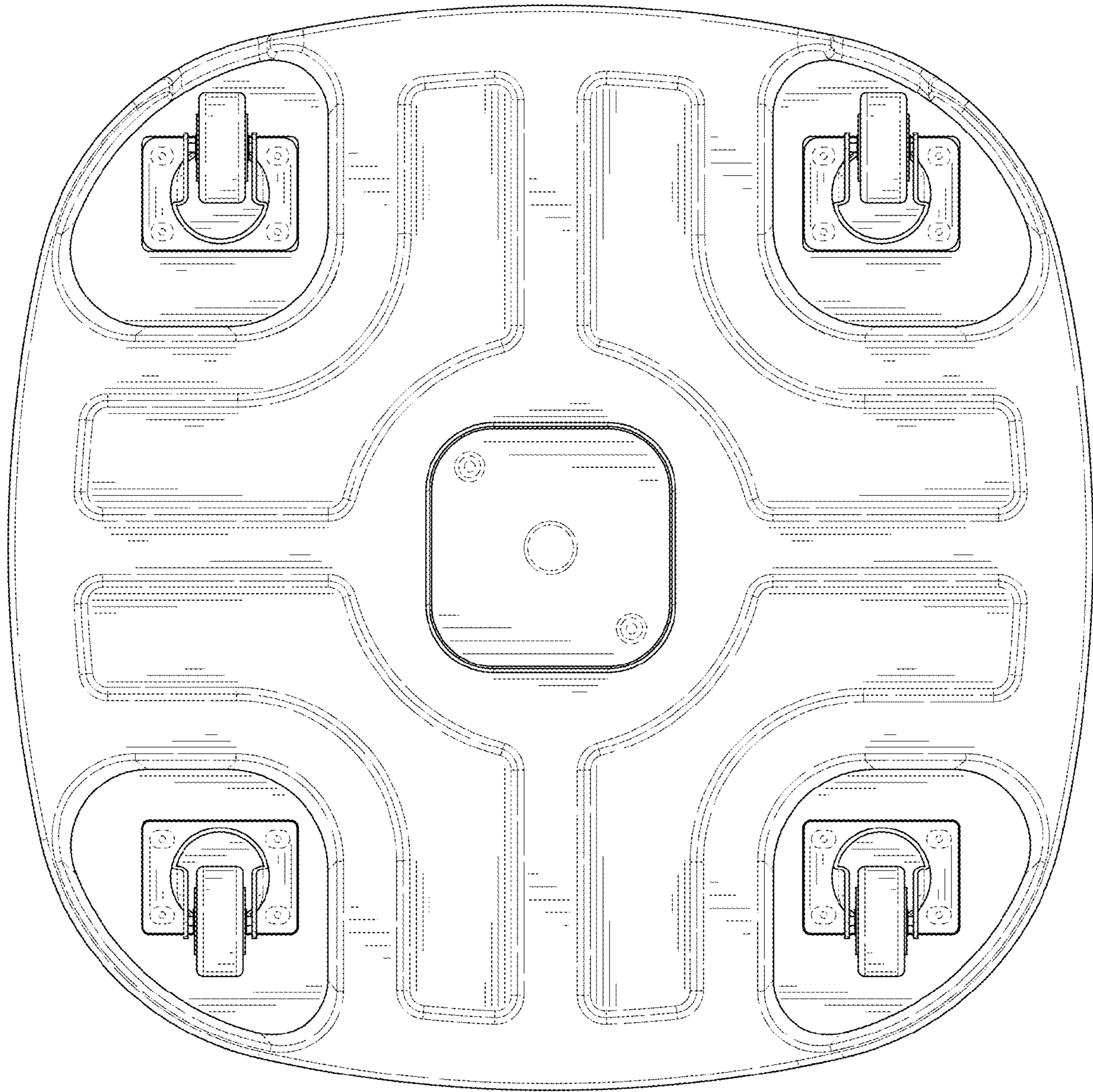


FIG. 8

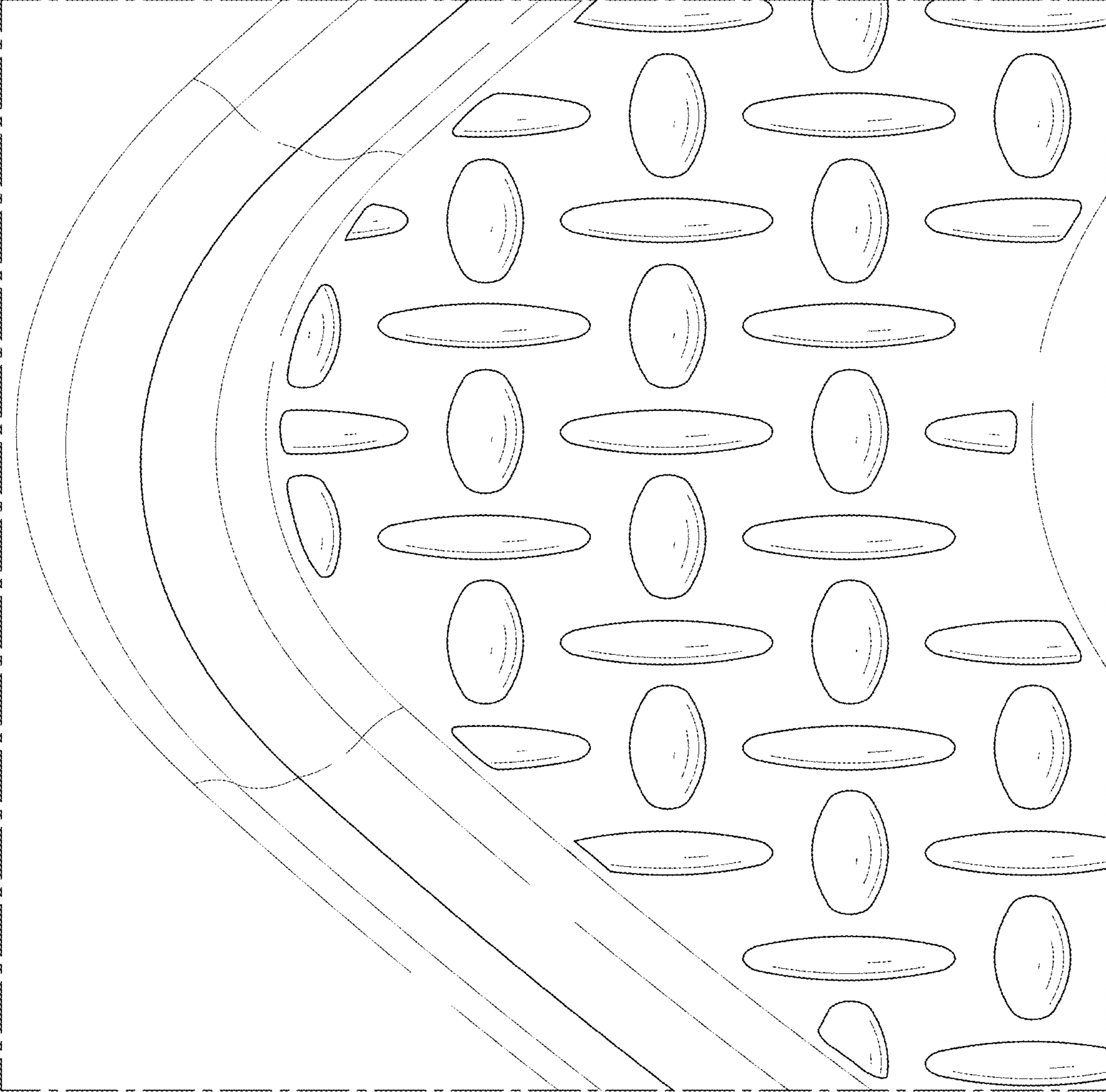


FIG. 9

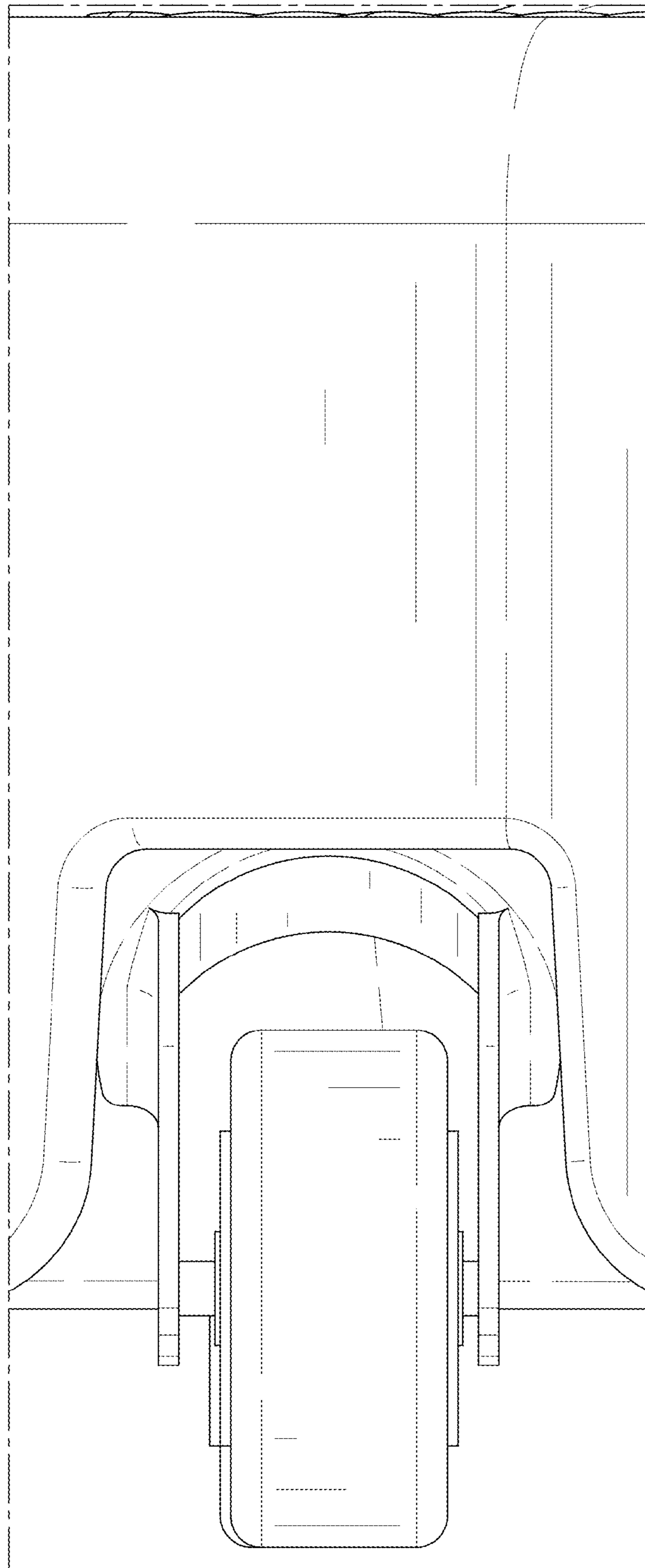


FIG. 10

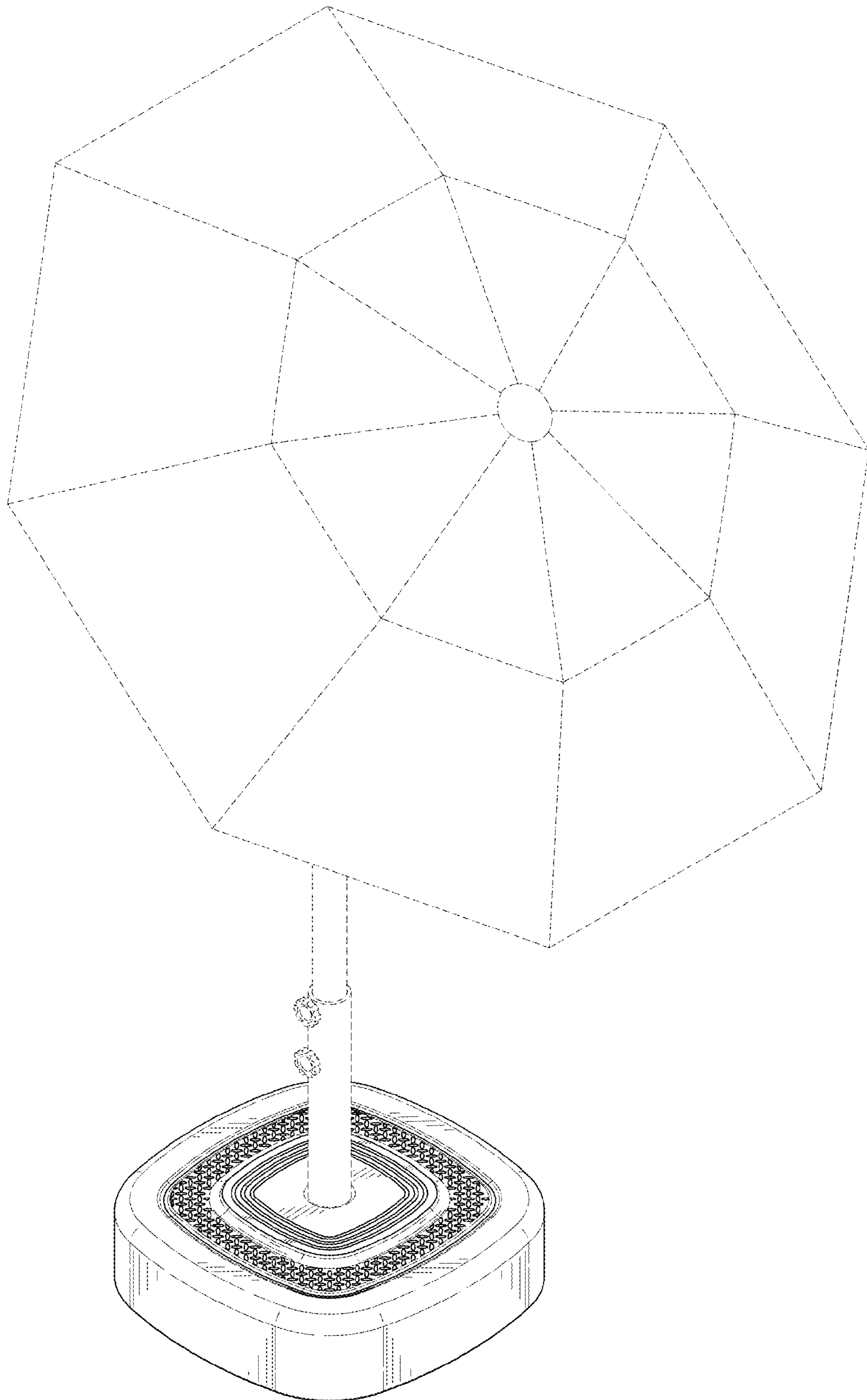


FIG. 11