



US00D974716S

(12) **United States Design Patent**  
**Hoang**

(10) **Patent No.:** **US D974,716 S**  
(45) **Date of Patent:** **\*\* Jan. 10, 2023**

(54) **MIDSOLE OF A FOOTWEAR ARTICLE**

(71) Applicant: **Salomon S.A.S.**, Epagny Metz-Tessy (FR)

(72) Inventor: **Gia Dat Hoang**, Villaz (FR)

(73) Assignee: **Salomon S.A.S.**, Metz-Tessy (FR)

(\*\*) Term: **15 Years**

(21) Appl. No.: **29/718,591**

(22) Filed: **Dec. 26, 2019**

(51) **LOC (14) Cl.** ..... **02-04**

(52) **U.S. Cl.**  
USPC ..... **D2/947**

(58) **Field of Classification Search**

USPC ..... D2/896, 902-908, 916, 926, 946-947,  
D2/951, 953, 957, 962, 969, 970, 972,  
D2/976-978; 36/3 B, 129, 130, 131, 133,  
36/25 R, 30 R, 31, 32 R  
CPC ..... A43B 13/00; A43B 13/02; A43B 13/04;  
A43B 13/10; A43B 13/12; A43B 13/122;  
A43B 13/125; A43B 13/127; A43B  
13/14; A43B 13/16; A43B 13/26; A43B  
23/00; A43B 23/02; A43B 23/24; A43B  
23/021; A43B 23/0215; A43B 23/0245;  
A43B 23/026; A43B 23/22; A43B  
23/227; A43B 1/00; A43B 1/10; A43B  
1/12; A43B 1/14; A43B 5/06; A43B 5/08;  
A43B 5/10; A43B 5/12

See application file for complete search history.

(56) **References Cited**

**U.S. PATENT DOCUMENTS**

4,449,307 A \* 5/1984 Stubblefield ..... A43B 13/223  
36/114  
D291,945 S \* 9/1987 Kelley ..... D2/954  
D401,755 S 12/1998 Zinovieff  
D404,542 S 1/1999 Donnadiu et al.

D404,543 S 1/1999 Donnadiu et al.  
D412,131 S 7/1999 Bent et al.  
D413,427 S 11/1999 Fellouhe  
D415,875 S 11/1999 Falguere  
D418,282 S \* 1/2000 von Conta ..... D2/947  
D425,693 S 5/2000 Fellouhe  
D426,949 S 6/2000 Barret  
D434,212 S 11/2000 Laberge  
D434,552 S 12/2000 Burt  
D434,553 S 12/2000 Burt  
D434,554 S 12/2000 Laberge

(Continued)

**OTHER PUBLICATIONS**

Sam Winebaum, Roadtrailrun.com, Salomon Sonic 3 Balance, announced Oct. 23, 2019 [online], [site visited Apr. 14, 2021]. Available from internet, URL: <https://www.roadtrailrun.com/2019/10/salomon-sonic-3-balance-initial-video.html> (Year: 2019).\*

*Primary Examiner* — Elizabeth J Oswecki  
*Assistant Examiner* — Yelizaveta Y Masalimova  
(74) *Attorney, Agent, or Firm* — Terence P. O'Brien

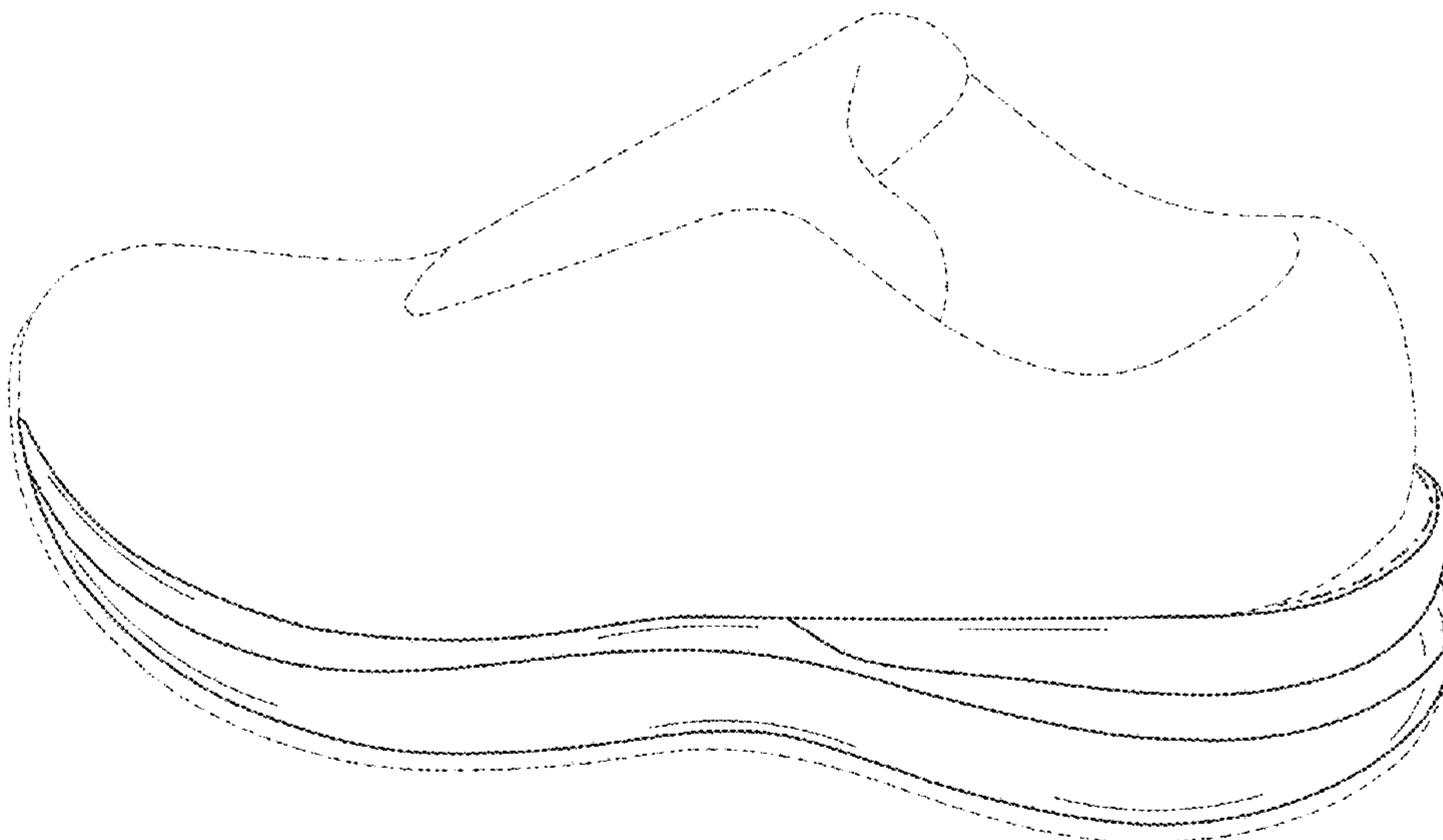
(57) **CLAIM**

The ornamental design for a midsole of a footwear article, as shown and described.

**DESCRIPTION**

FIG. 1 is a top, side perspective view of a midsole of a footwear article showing my new design;  
FIG. 2 is a first side view of the midsole of FIG. 1;  
FIG. 3 is a second side view of the midsole of FIG. 1;  
FIG. 4 is a front view of the midsole of FIG. 1;  
FIG. 5 a rear view of the midsole of FIG. 1;  
FIG. 6 is a top view of the midsole of FIG. 1; and,  
FIG. 7 is a bottom view of the midsole of FIG. 1.  
The dot dashed broken lines immediately adjacent to the claimed surfaces of FIGS. 1 and 6 depict boundaries while all other broken lines in FIGS. 1-7 are directed to environment and form no part of the claimed design.

**1 Claim, 7 Drawing Sheets**



(56)

References Cited

U.S. PATENT DOCUMENTS

D434,894 S	12/2000	Burt	D644,418 S	*	9/2011	Yi .....	D2/946
D434,895 S	12/2000	Laberge	D644,824 S	*	9/2011	Leleu .....	D2/946
D435,165 S	12/2000	Burt	D653,842 S	*	2/2012	Weiss .....	D2/946
D435,336 S	12/2000	Barret et al.	D671,731 S		12/2012	Amphyon	
D435,718 S	1/2001	Laberge	D679,081 S		4/2013	Bosomworth	
D436,433 S	1/2001	Laberge	D679,082 S		4/2013	Bosomworth	
D443,131 S	6/2001	Laberge	D679,083 S		4/2013	Bosomworth	
D443,408 S	6/2001	Laberge	D679,084 S		4/2013	Grenet	
D446,004 S	8/2001	Burt	D679,085 S		4/2013	Grenet	
D451,267 S	12/2001	Laberge et al.	D679,903 S		4/2013	Grenet	
D451,268 S	12/2001	Laberge et al.	D680,314 S		4/2013	Amphyon	
D451,269 S	12/2001	Burt	D680,315 S		4/2013	Amphyon	
D452,068 S	12/2001	Laberge et al.	D680,728 S		4/2013	Stryjak	
D452,368 S	12/2001	Chaigne	D690,491 S		10/2013	Bosomworth	
D452,607 S	1/2002	Sakai	D690,492 S		10/2013	Bosomworth	
D453,616 S	1/2002	Sakai	D690,493 S		10/2013	Bosomworth	
D455,251 S	4/2002	Sakai	D690,494 S		10/2013	Bosomworth	
D457,296 S	5/2002	Burt	D690,495 S		10/2013	Bosomworth	
D459,870 S	7/2002	St-Louis	D690,496 S		10/2013	Leleu	
D460,250 S	7/2002	Hillyer	D690,923 S		10/2013	Amphyon	
D460,583 S	7/2002	Sakai	D693,557 S		11/2013	Grenet	
D460,610 S	7/2002	Sakai	D693,558 S		11/2013	Bosomworth	
D461,946 S	8/2002	Burt	D697,293 S	*	1/2014	Vestuti .....	D2/947
D464,479 S	10/2002	Banik	D701,029 S		3/2014	Grenet	
D465,909 S	11/2002	Ornerakis	D701,030 S		3/2014	Grenet	
D467,062 S	12/2002	Delgorgue et al.	D701,031 S		3/2014	Grenet	
D467,064 S	12/2002	Hillyer	D701,033 S		3/2014	Leleu	
D467,724 S	12/2002	Hillyer	D701,384 S		3/2014	Leleu	
D471,700 S	3/2003	Banik	D706,025 S		3/2014	Amey	
D472,040 S	3/2003	Banik	D711,639 S		8/2014	Fuhrer	
D475,189 S	3/2003	Laberge et al.	D711,640 S		8/2014	Amphyon	
D475,515 S	6/2003	St-Louis	D711,641 S		8/2014	Grenet et al.	
D475,516 S	6/2003	Laberge	D711,642 S		8/2014	Bosomworth	
D475,517 S	6/2003	St-Louis	D711,643 S		8/2014	Bosomworth	
D479,391 S	9/2003	Hillyer	D717,037 S		11/2014	Bosomworth	
D479,392 S	9/2003	Hillyer	D717,530 S		11/2014	Leleu	
D479,644 S	9/2003	Sakai	D717,531 S		11/2014	Bosomworth	
D481,530 S	11/2003	Hillyer	D717,532 S		11/2014	Grenet	
D482,515 S	11/2003	St-Louis	D717,533 S		11/2014	Grenet	
D482,858 S	12/2003	Hillyer	D717,534 S		11/2014	Amphyon	
D482,859 S	12/2003	Laberge	D718,030 S		11/2014	Fuhrer et al.	
D482,861 S	12/2003	St-Louis	D718,521 S		12/2014	Bosomworth	
D483,938 S	12/2003	Laberge	D722,429 S		2/2015	Amphyon	
D485,428 S	1/2004	Koo	D725,362 S		3/2015	Bosomworth	
D485,429 S	1/2004	Koo	D725,363 S		3/2015	Fuhrer et al.	
D485,669 S	1/2004	Koo	D725,364 S		3/2015	Fuhrer et al.	
D485,670 S	1/2004	Laberge	D725,365 S		3/2015	Grenet	
D486,301 S	2/2004	Koo	D725,366 S		3/2015	Grenet	
D487,339 S	3/2004	Laberge	D725,367 S		3/2015	Bosomworth	
D488,917 S	4/2004	Koo	D725,368 S		3/2015	Portailler	
D489,168 S	5/2004	Laberge	D725,885 S		4/2015	Amphyon	
D493,955 S	8/2004	Gay	D725,886 S		4/2015	Grenet	
D494,350 S	8/2004	Hillyer	D725,887 S		4/2015	Bosomworth	
D502,310 S	3/2005	Tresser	D725,888 S		4/2015	Bosomworth	
D511,617 S	* 11/2005	Matis .....	D725,889 S		4/2015	Amphyon	
D513,666 S	1/2006	Bertholon	D725,890 S		4/2015	Bosomworth	
D513,847 S	1/2006	Laberge	D725,891 S		4/2015	Bosomworth	
D515,799 S	2/2006	Bertholon	D725,892 S		4/2015	Bosomworth	
D515,800 S	2/2006	Bertholon	D725,893 S		4/2015	Grenet	
D621,597 S	8/2010	Grenet	D725,894 S		4/2015	Bosomworth	
D622,051 S	8/2010	Leleu	D726,402 S		4/2015	Bosomworth	
D622,052 S	8/2010	Grenet	D726,403 S		4/2015	Bosomworth	
D622,053 S	8/2010	Grenet	D727,007 S		4/2015	Bosomworth	
D622,054 S	8/2010	Bosomworth	D727,008 S		4/2015	Amphyon	
D622,055 S	8/2010	Bosomworth	D731,772 S		6/2015	Bosomworth et al.	
D623,391 S	9/2010	Leleu	D731,773 S		6/2015	Bosomworth et al.	
D623,392 S	9/2010	Grenet	D731,774 S		6/2015	Antonelli et al.	
D623,839 S	9/2010	Leleu	D731,775 S		6/2015	Bosomworth et al.	
D628,368 S	* 12/2010	Raysse .....	D731,776 S		6/2015	Portailler	
D629,190 S	12/2010	Bosomworth	D731,777 S		6/2015	Grenet et al.	
D629,599 S	12/2010	Bosomworth	D731,778 S		6/2015	Grenet et al.	
D631,646 S	* 2/2011	Muller .....	D732,268 S		6/2015	Grenet et al.	
D632,878 S	* 2/2011	Raysse .....	D737,036 S		8/2015	Bosomworth	
D642,367 S	8/2011	Fuhrer	D739,134 S		9/2015	Salmon	
D644,019 S	8/2011	Grenet	D740,537 S		10/2015	Fuhrer et al.	
			D742,109 S		10/2015	Grenet	
			D748,383 S	*	2/2016	Raysse .....	D2/947
			D753,382 S		4/2016	Lamont	
			D753,383 S		4/2016	Nikolic	

(56)

References Cited

U.S. PATENT DOCUMENTS

D777,412 S *	1/2017	Antonelli	.....	D2/951	D831,319 S *	10/2018	Vasyli	.....	D2/960
D778,565 S *	2/2017	Sars	.....	D2/960	D834,795 S *	12/2018	Vasyli	.....	D2/947
D789,051 S *	6/2017	Kuerbis	.....	D2/947	D852,480 S *	7/2019	Kaiserswerth	.....	D2/954
D789,056 S *	6/2017	Tzenos	.....	D2/957	D856,648 S *	8/2019	Small	.....	D2/947
D789,061 S	6/2017	Nikolic			D859,793 S *	9/2019	Vasyli	.....	D2/907
D789,062 S	6/2017	Grenet			D861,300 S *	10/2019	Weeks	.....	D2/947
D789,671 S	6/2017	Chung			D871,729 S *	1/2020	Taylor	.....	D2/947
D790,187 S	6/2017	Portailler			10,709,199 B2 *	7/2020	Conway	.....	B32B 7/04
D790,188 S	6/2017	Portailler et al.			D903,999 S *	12/2020	Syed	.....	D2/977
D803,530 S	11/2017	Nikolic			D927,156 S *	8/2021	Brammer	.....	D2/947
D808,136 S *	1/2018	Tæstensen	.....	D2/951	D929,085 S *	8/2021	Small	.....	D2/947
D812,872 S *	3/2018	Palmer	.....	D2/947	D936,340 S *	11/2021	Celin	.....	D2/947
D812,873 S	3/2018	Lapouille			D943,899 S *	2/2022	Hoang	.....	D2/947
D812,874 S	3/2018	Lapouille			D944,503 S *	3/2022	Ammon	.....	D2/947
D812,879 S	3/2018	Lapouille			2009/0178299 A1 *	7/2009	Lafortune	.....	A43B 13/188
D812,880 S	3/2018	Lapouille							36/19.5
D823,580 S *	7/2018	Pauk	.....	D2/947	2013/0139410 A1 *	6/2013	Dirsa	.....	A43B 13/12
									36/103
					2020/0305543 A1 *	10/2020	Kajiwara	.....	A43B 13/183

\* cited by examiner

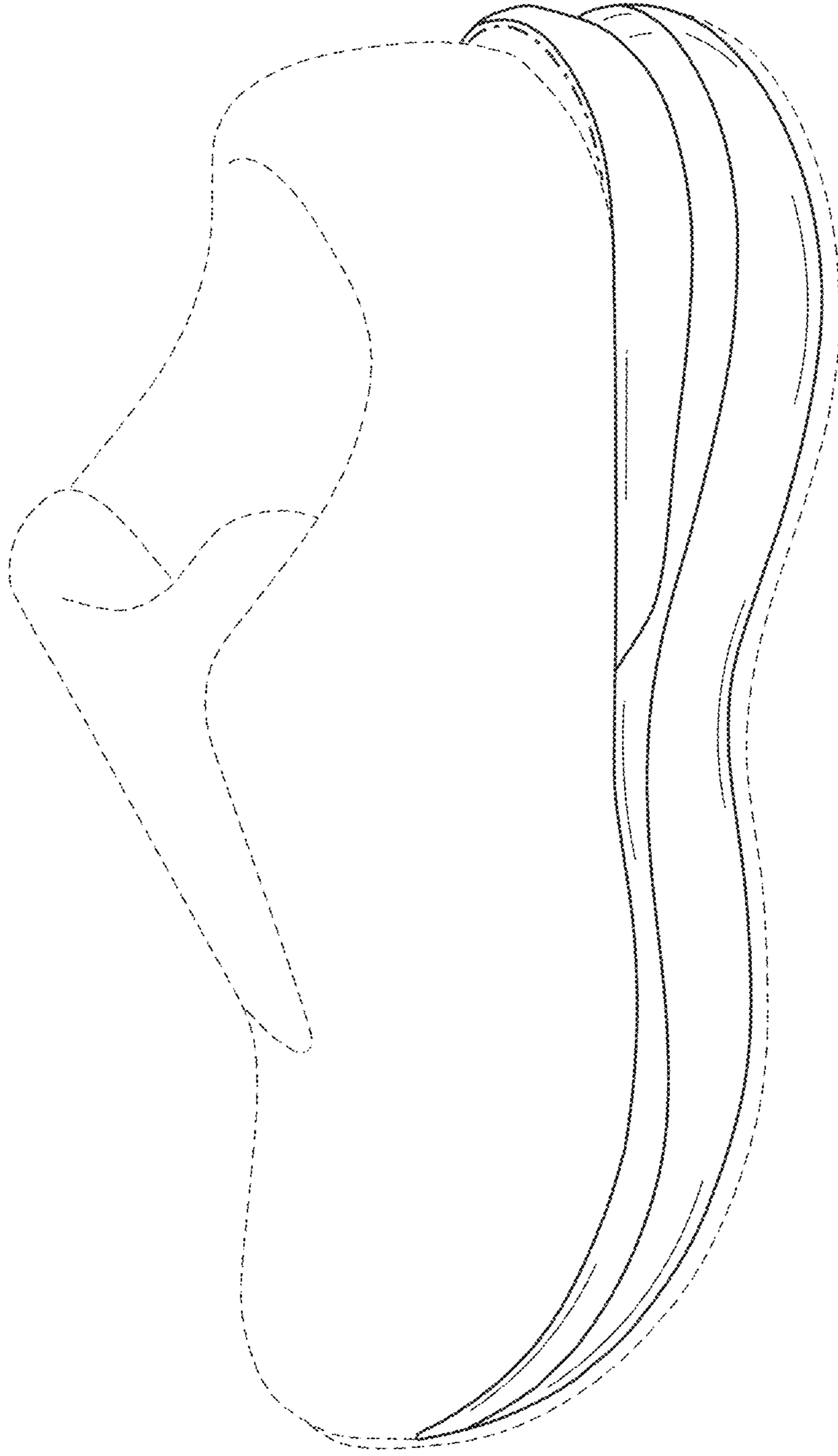


FIG. 1

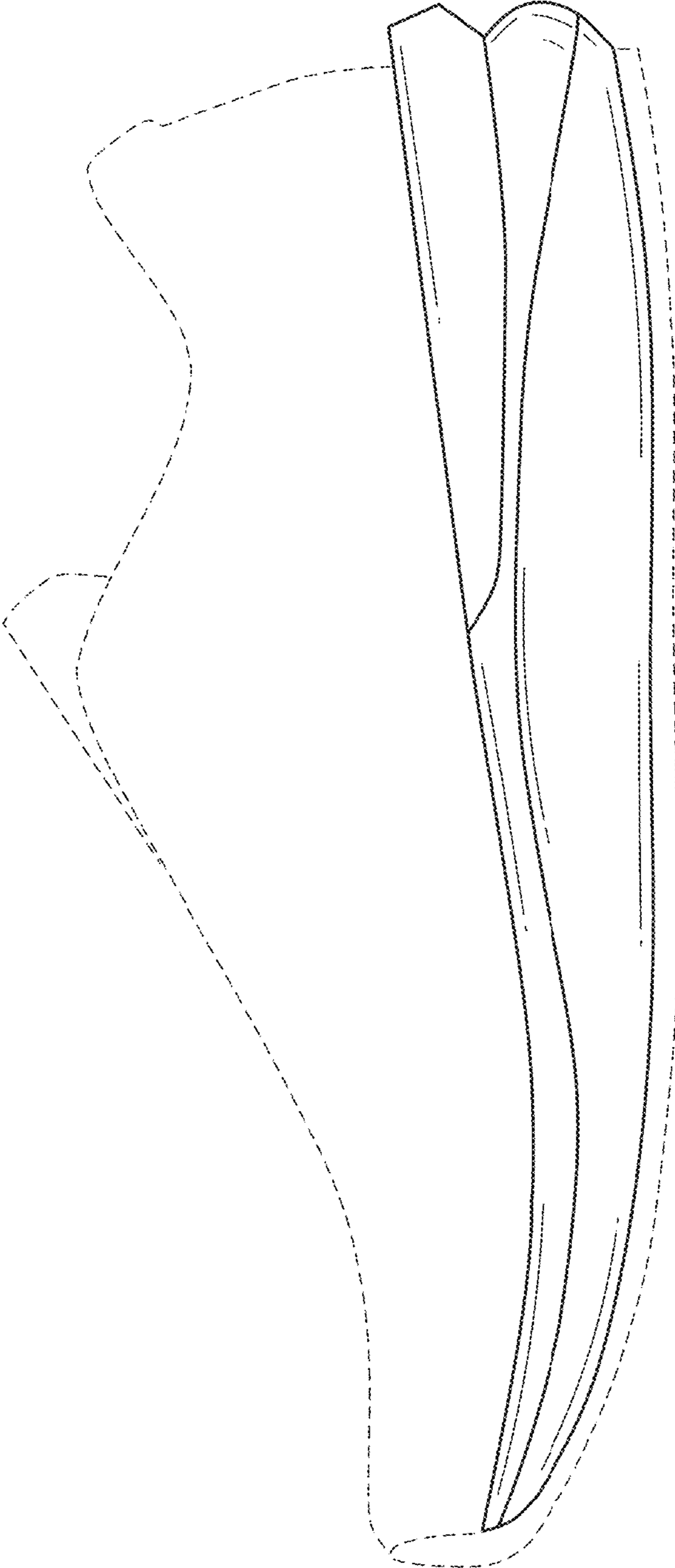


FIG. 2

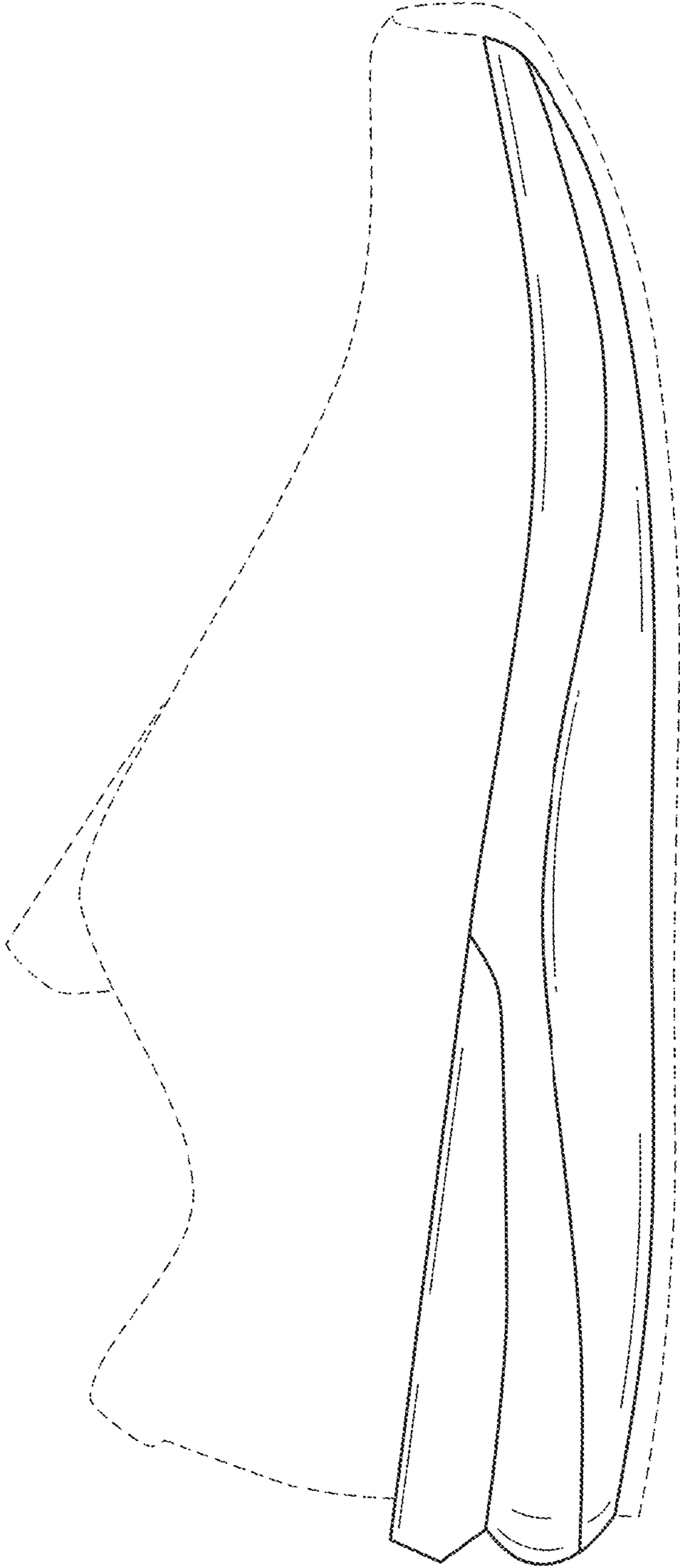


FIG. 3

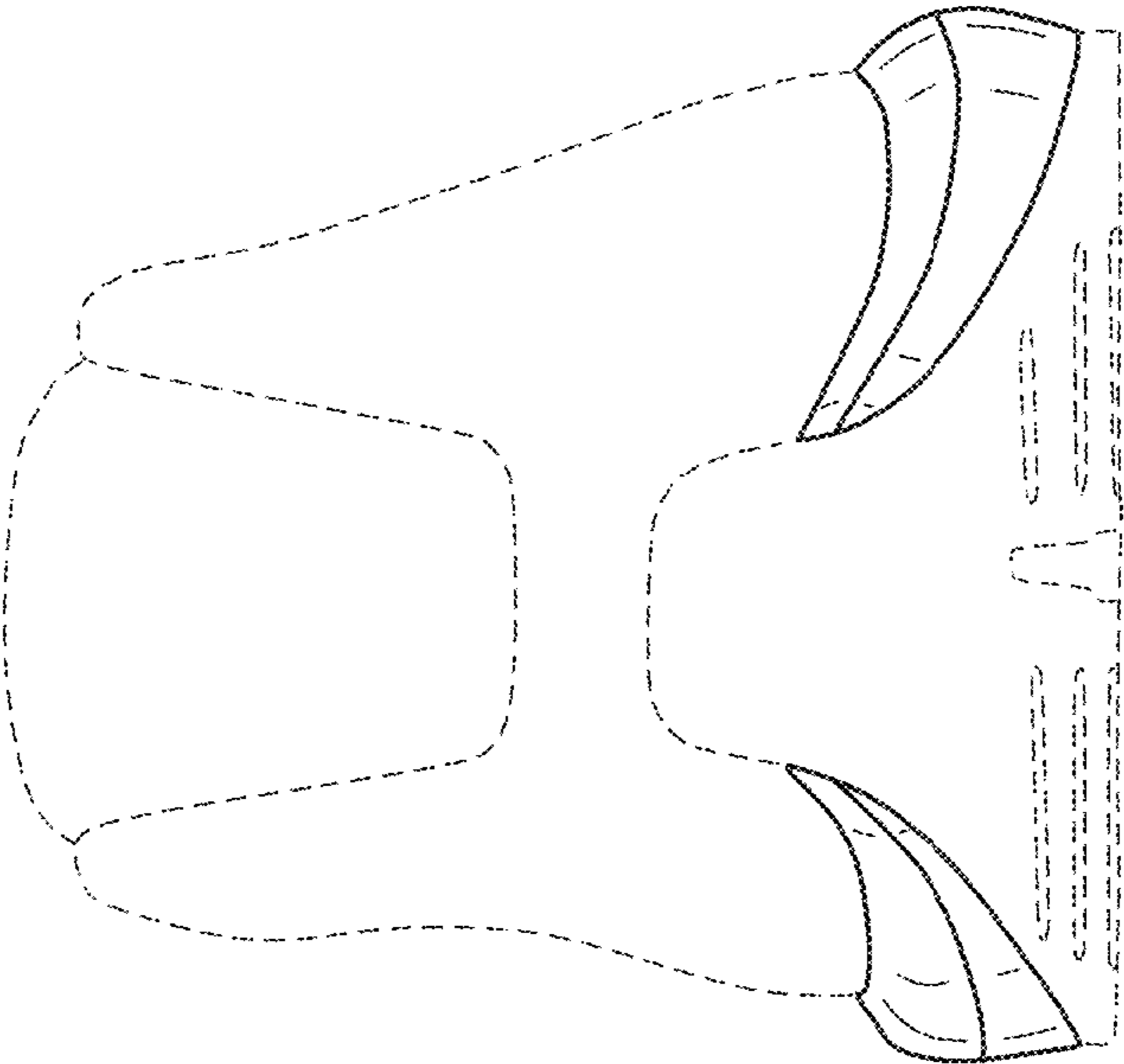


FIG. 4

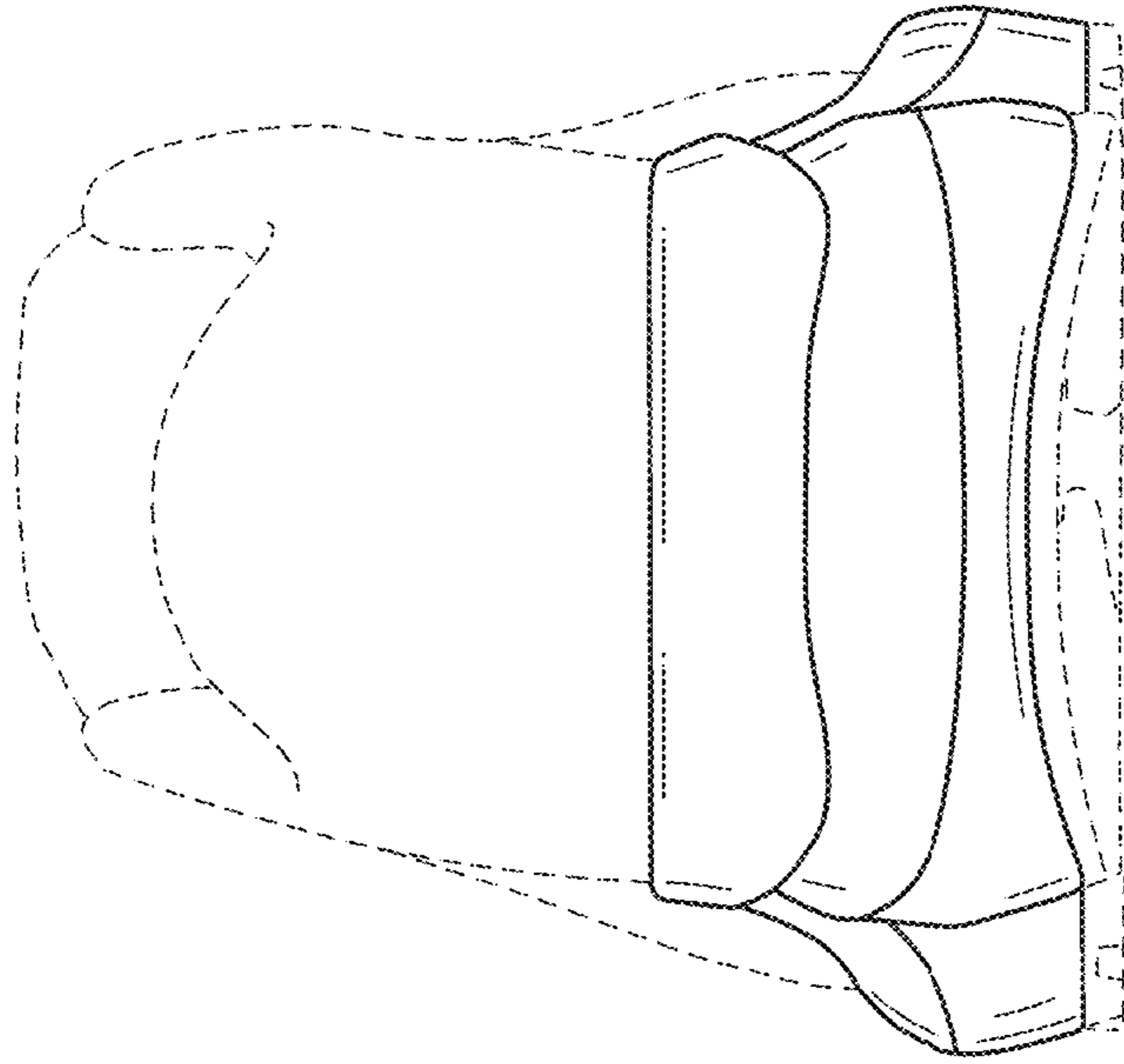


FIG. 5



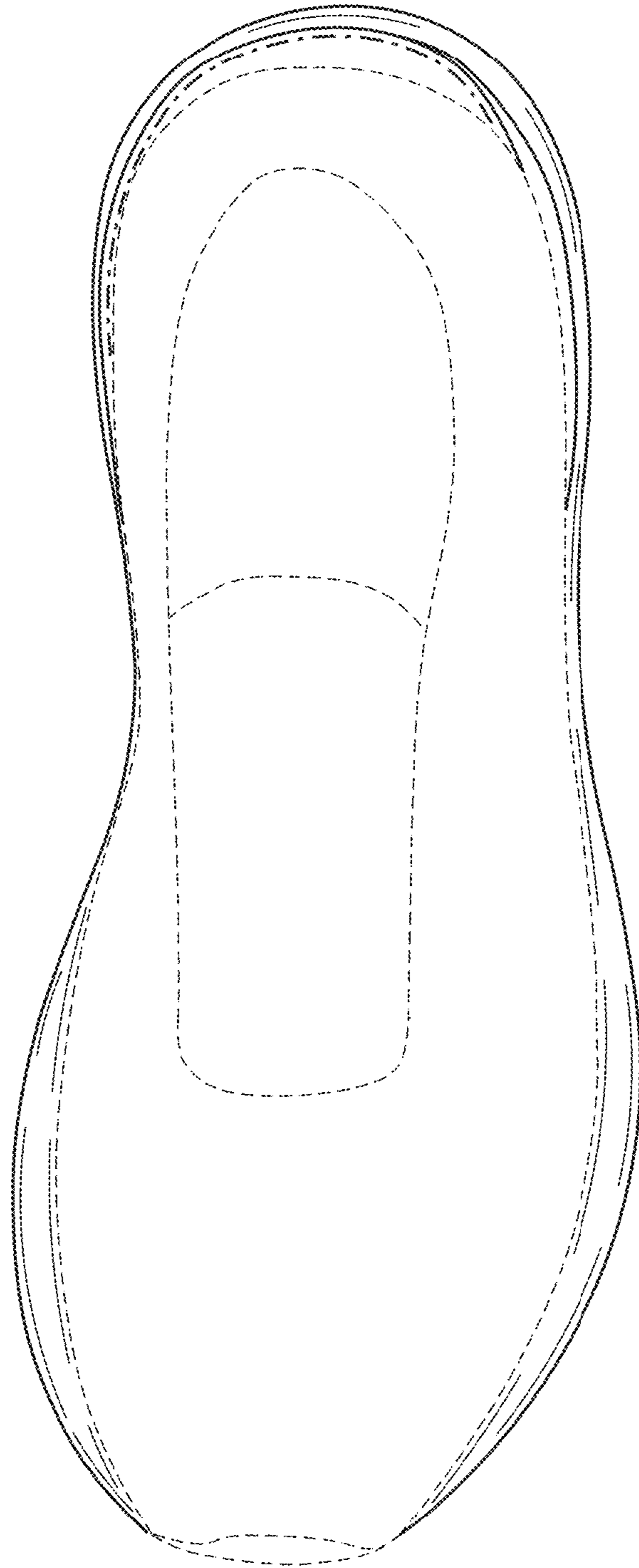


FIG. 6

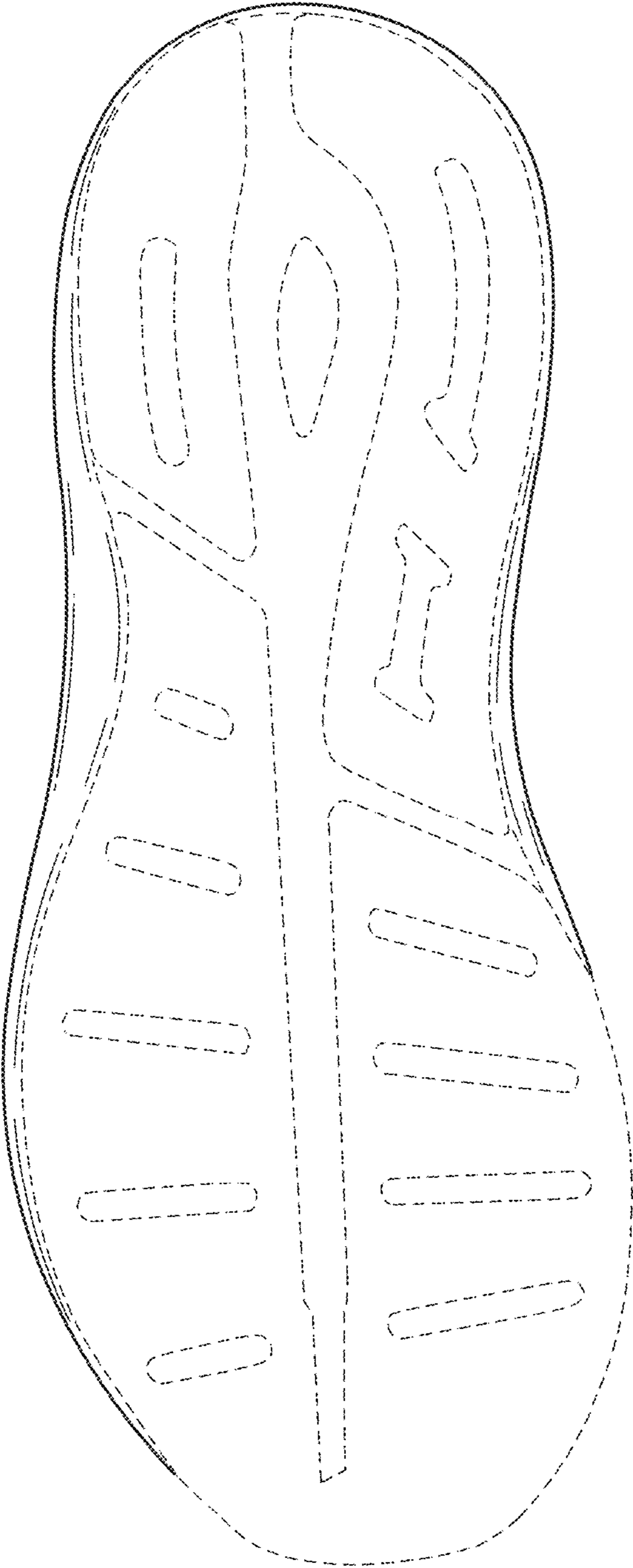


FIG. 7