



US00D974713S

(12) **United States Design Patent** (10) **Patent No.:** **US D974,713 S**
Frain Terras et al. (45) **Date of Patent:** **** Jan. 10, 2023**

- (54) **FOOTWEAR UPPER**
- (71) Applicant: **Deckers Outdoor Corporation**, Goleta, CA (US)
- (72) Inventors: **Helene A Frain Terras**, Santa Barbara, CA (US); **Esther Kim**, Irvine, CA (US)
- (73) Assignee: **Deckers Outdoor Corporation**, Goleta, CA (US)
- (**) Term: **15 Years**
- (21) Appl. No.: **29/782,066**
- (22) Filed: **May 4, 2021**
- (51) **LOC (14) Cl.** **02-04**
- (52) **U.S. Cl.**
 USPC **D2/916; D2/919; D2/930**
- (58) **Field of Classification Search**
 USPC D2/896, 897, 898, 900, 902, 903, 904, D2/906-908, 916, 917-924, 925-945, D2/969-979; 36/7.2, 7.7, 7.5, 8.1, 11.5, 36/9 R, 9 A, 10, 11, 7.3, 7.6, 4, 26; D24/192
 CPC A43B 1/00; A43B 1/02; A43B 1/04; A43B 3/00; A43B 3/02; A43B 3/06; A43B 3/10; A43B 3/12; A43B 3/14; A43B 5/00; A43B 5/001; A43B 5/002; A43B 5/008; A43B 5/06; A43B 5/10; A43B 5/12; A43B 23/00; A43B 23/02; A43B 23/04; A43B 23/14; A43B 23/16; A43B 23/17; A43B 23/24; A43B 23/25; A43B 23/26
 See application file for complete search history.

- (56) **References Cited**
 U.S. PATENT DOCUMENTS
- | | | | | |
|--------------|--------|-----------|-------|--------|
| D172,229 S * | 5/1954 | Frederick | | D2/916 |
| D275,525 S * | 9/1984 | Nakao | | D2/918 |
| D354,846 S * | 1/1995 | Minkin | | D2/916 |
| D377,860 S * | 2/1997 | Renault | | D2/916 |
| D389,988 S * | 2/1998 | Hansen | | D2/900 |

- | | | | | |
|--------------|---------|-----------|-------|--------|
| D421,828 S * | 3/2000 | Malka | | D2/918 |
| D452,989 S * | 1/2002 | Chen | | D2/918 |
| D457,714 S * | 5/2002 | Bray, Jr. | | D2/919 |
| D471,346 S * | 3/2003 | Bray, Jr. | | D2/919 |
| D517,788 S * | 3/2006 | Seamans | | D2/969 |
| D614,381 S | 4/2010 | MacIntyre | | |
| D624,731 S * | 10/2010 | Lambert | | D2/916 |
| D626,728 S * | 11/2010 | Tzenos | | D2/896 |
- (Continued)

OTHER PUBLICATIONS

UGG Women's Fluff Yeah Slide Motlee Slipper, Amazon.com, [online], [site visited Oct. 31, 2022]. <URL: https://www.amazon.com/UGG-Womens-Marble-Slipper-Violet/dp/B08WPWBMVX/ref=sr_1_2?crd=3F4C1TGC17EFI&keywords=ugg+slingback+slippers&qid> (Year: 2021).*

(Continued)

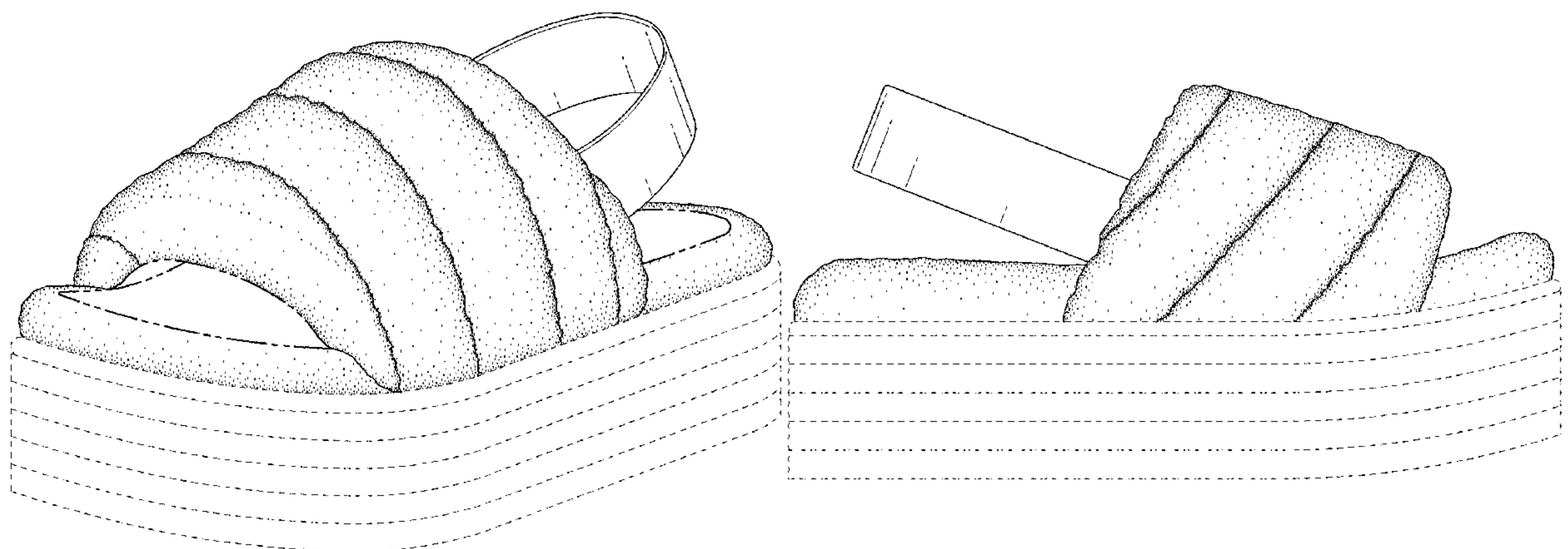
Primary Examiner — Jonathan J Han
Assistant Examiner — Molly K. Orzechowski
 (74) *Attorney, Agent, or Firm* — Greer, Burns & Crain, Ltd.

(57) **CLAIM**
 The ornamental design for a footwear upper, as shown and described.

DESCRIPTION

FIG. 1 is a front perspective view of a footwear upper showing our new design;
 FIG. 2 is a side elevational view thereof;
 FIG. 3 is an opposite side elevational view thereof;
 FIG. 4 is a front elevational view thereof;
 FIG. 5 is a rear elevational view thereof;
 FIG. 6 is a top plan view thereof; and,
 FIG. 7 is a bottom plan view thereof.
 The dot-dot-dash broken lines depict the bounds of the claim and form no part of the claimed design. The even dashed broken lines depict features of the footwear sole that form no part of the claimed design.

1 Claim, 3 Drawing Sheets



(56)

References Cited

U.S. PATENT DOCUMENTS

D632,465	S	*	2/2011	del Biondi	D2/896
D660,571	S	*	5/2012	Ng	D2/970
D698,531	S	*	2/2014	Lock	D2/896
D830,675	S	*	10/2018	Del Biondi	D2/896
D853,694	S	*	7/2019	Celin	D2/916
D866,941	S		11/2019	Kim		
D873,542	S	*	1/2020	Ellis	D2/916
D901,869	S		11/2020	Kim		
D901,870	S		11/2020	Kim		
D909,025	S	*	2/2021	Fuerst, Sr.	D2/916
D916,443	S	*	4/2021	Chen	D2/919
D919,256	S	*	5/2021	Thompson	D2/923
D919,944	S	*	5/2021	Post	D2/951
D920,652	S	*	6/2021	Frain Terras	D2/932
D928,492	S	*	8/2021	Kim	D2/971
D930,958	S	*	9/2021	Dayon	D2/919
D932,145	S	*	10/2021	Brenner	D2/916
D943,250	S	*	2/2022	Wang	D2/919
D949,524	S	*	4/2022	Huang	D2/900
D950,899	S	*	5/2022	Ren	D2/919
D952,296	S	*	5/2022	Zhang	D2/919
D955,705	S	*	6/2022	Altovino	D2/919
D955,729	S	*	6/2022	Frain Terras	D2/916
D956,395	S	*	7/2022	Chen	D2/959
D961,199	S	*	8/2022	Zhang	D2/916
D965,260	S	*	10/2022	Burg	D2/916

OTHER PUBLICATIONS

UGG Oh Fluffita, Zappos.com, [online], [site visited Oct. 31, 2022]. <URL: https://www.zappos.com/p/ugg-oh-fluffita-dive/product/9526138/color/76638?utm_source=google&utm_medium=pla_g&utm_campaign=174649291&utm_term> (Year: 2021).*

UGG Disco Slide, Zappos.com, [online], [site visited Oct. 31, 2022]. <URL: https://www.zappos.com/p/ugg-disco-slide-black-marble/product/9404962/color/214212?zlfid=191&ref=pd_detail-1-sims_cv#customerReviews> (Year: 2020).*

Jenni Women's Plush Faux Fure Slide Boxed Slippers, Macys.com, [online], [site visited Oct. 31, 2022]. <URL: <https://www.macys.com/shop/product/jenni-womens-plush-faux-fur-slide-boxed-slippers-created-for-macys?ID=12569450&ranMID>> (Year: 2021).*

River Island Faux Fur Platform Slippers, RiverIsland.com, [online], [site visited Oct. 31, 2022]. <URL: <https://www.riverisland.com/us/p/grey-ri-faux-fur-flatform-slippers-779593>> (Year: 2022).*

UGG Australia catalog, Winter 2002 collection, "Fluff Slide" p. 29, Nov. 2002.

Are Rihanna Puma Fur Slides Worth It? They Aren't Shower Shoes But They Sure Are Comfy, Bustle.com, by Amy Sciarretto, <https://www.bustle.com/articles/161253-are-rihanna-puma-fur-slides-worth-it-they-arent-shower-shoes-but-they-sure-are-comfy>, May 17, 2016.

UGG Australia catalog, Fall/Winter 1999, "Cluggette", "Roo", "Mate" pp. 16-17, Nov. 1999.

UGG Australia catalog, Fall/Winter 2004, "Coquette" p. 13, Nov. 2004.

UGG Australia catalog, Winter 2002 collection, "Fluff Scuff" p. 29, Nov. 2002.

Puma Drops New Monochrome Platform Sandals, Missbish, by Jana K. Hoffman, at <https://missbish.com/puma-drops-new-monochrome-platform-sandals/> Apr. 2017.

Co-pending Design U.S. Appl. No. 29/722,222, filed Jan. 28, 2020.

Co-pending Design U.S. Appl. No. 29/714,233, filed Nov. 21, 2019.

Co-pending Design U.S. Appl. No. 29/755,215, filed Oct. 19, 2020.

Co-pending Design U.S. Appl. No. 29/782,061, filed May 4, 2021.

Co-pending Design U.S. Appl. No. 29/782,069, filed May 4, 2021.

* cited by examiner

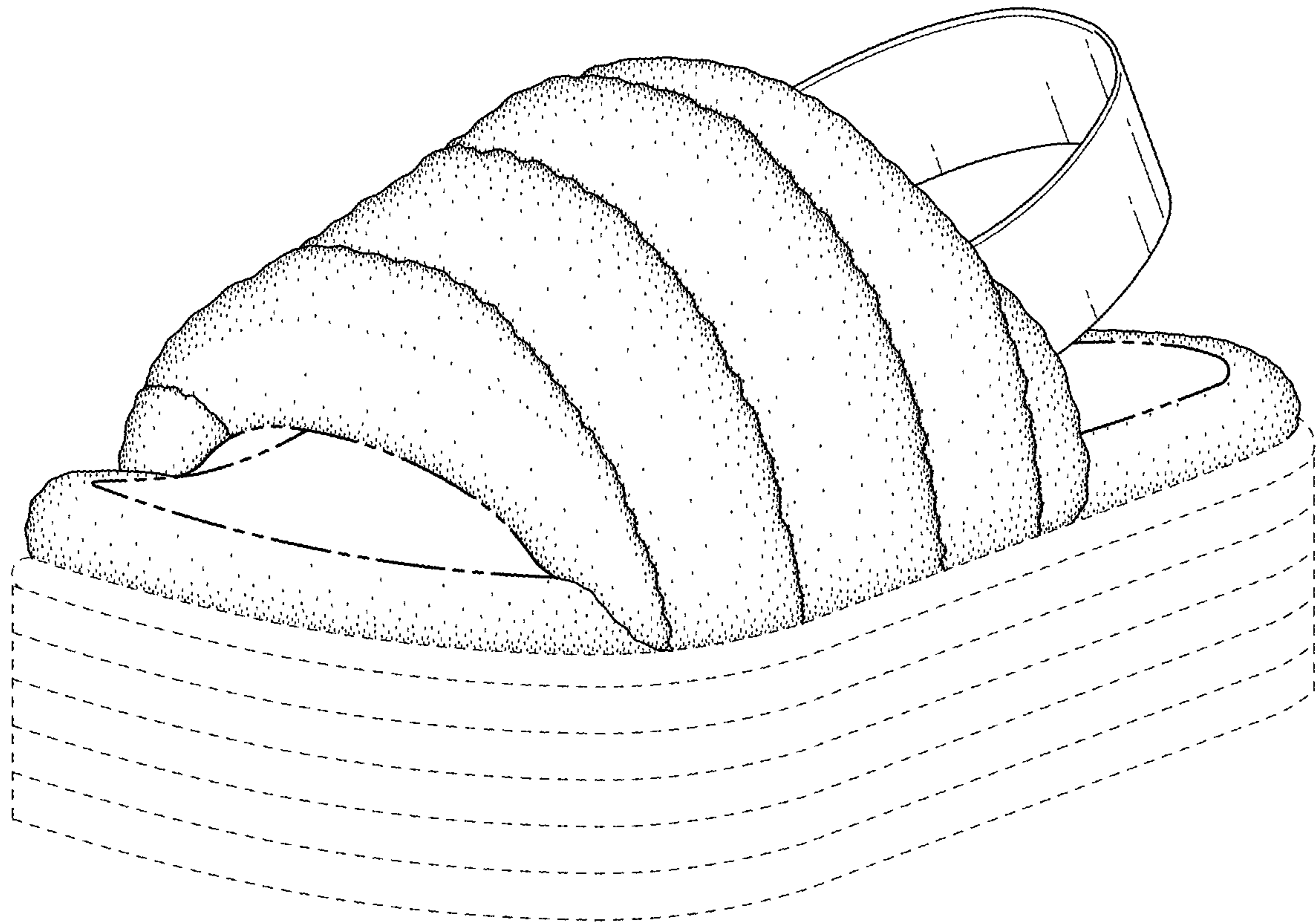


FIG. 1

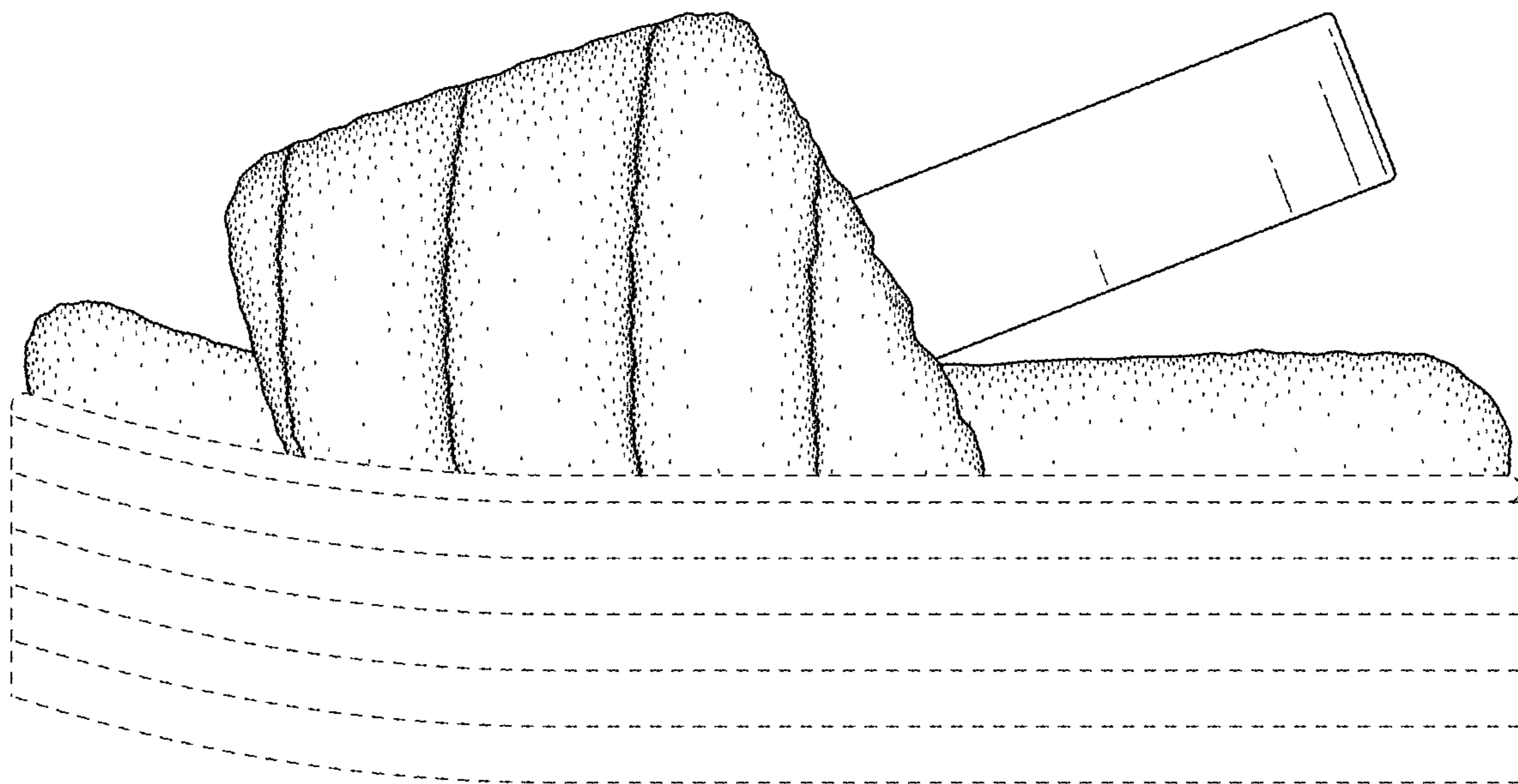


FIG. 2

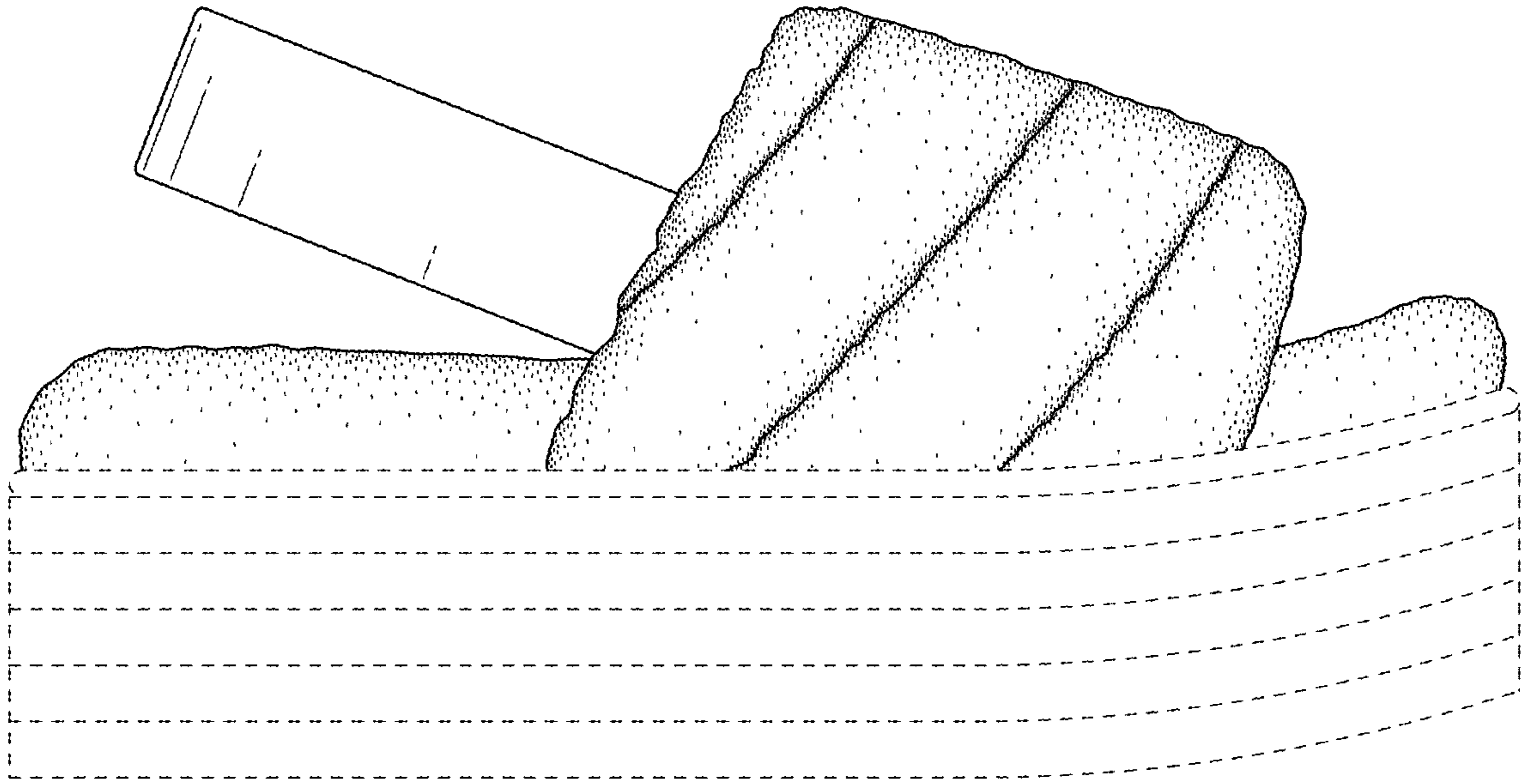


FIG. 3

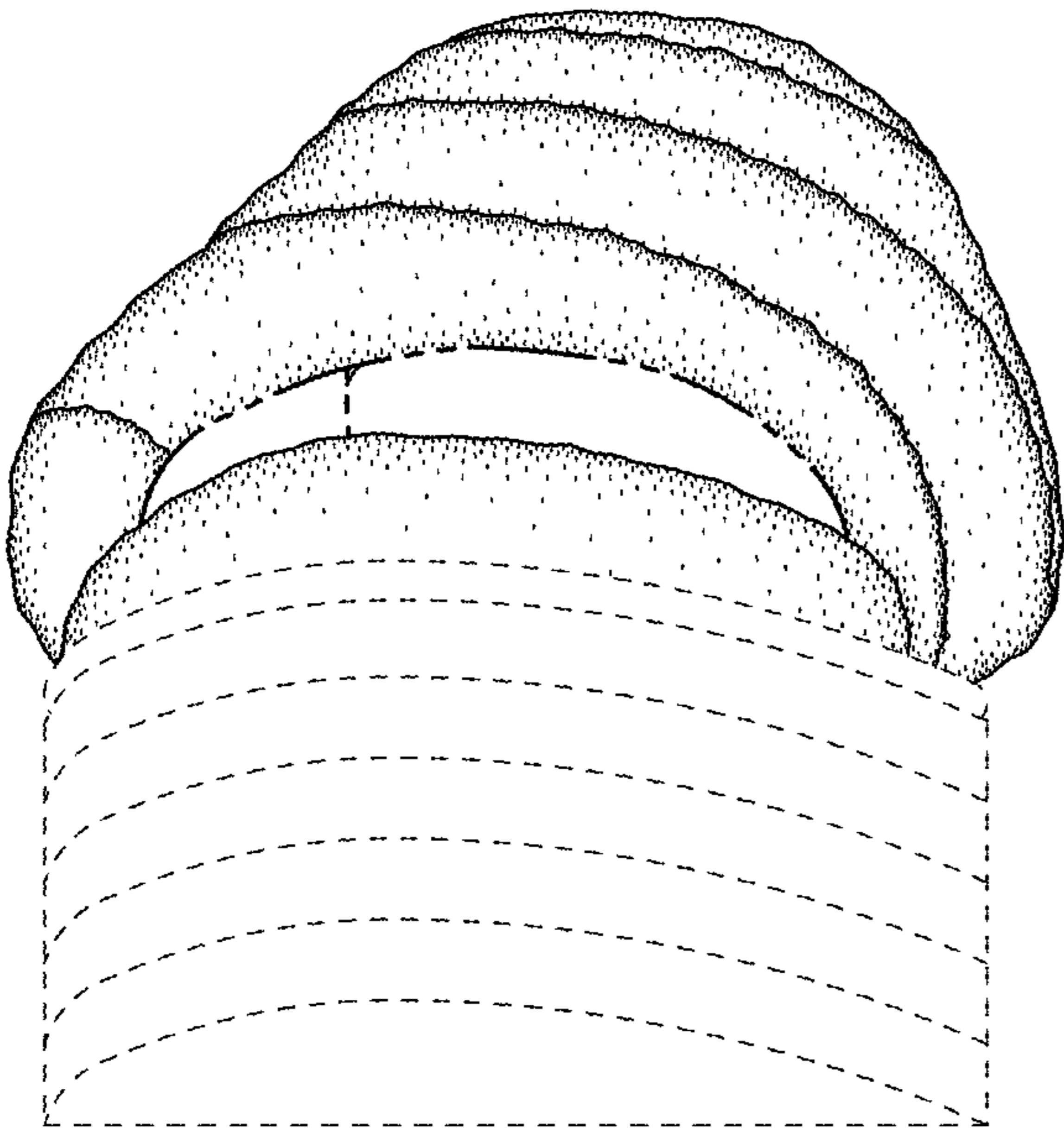


FIG. 4

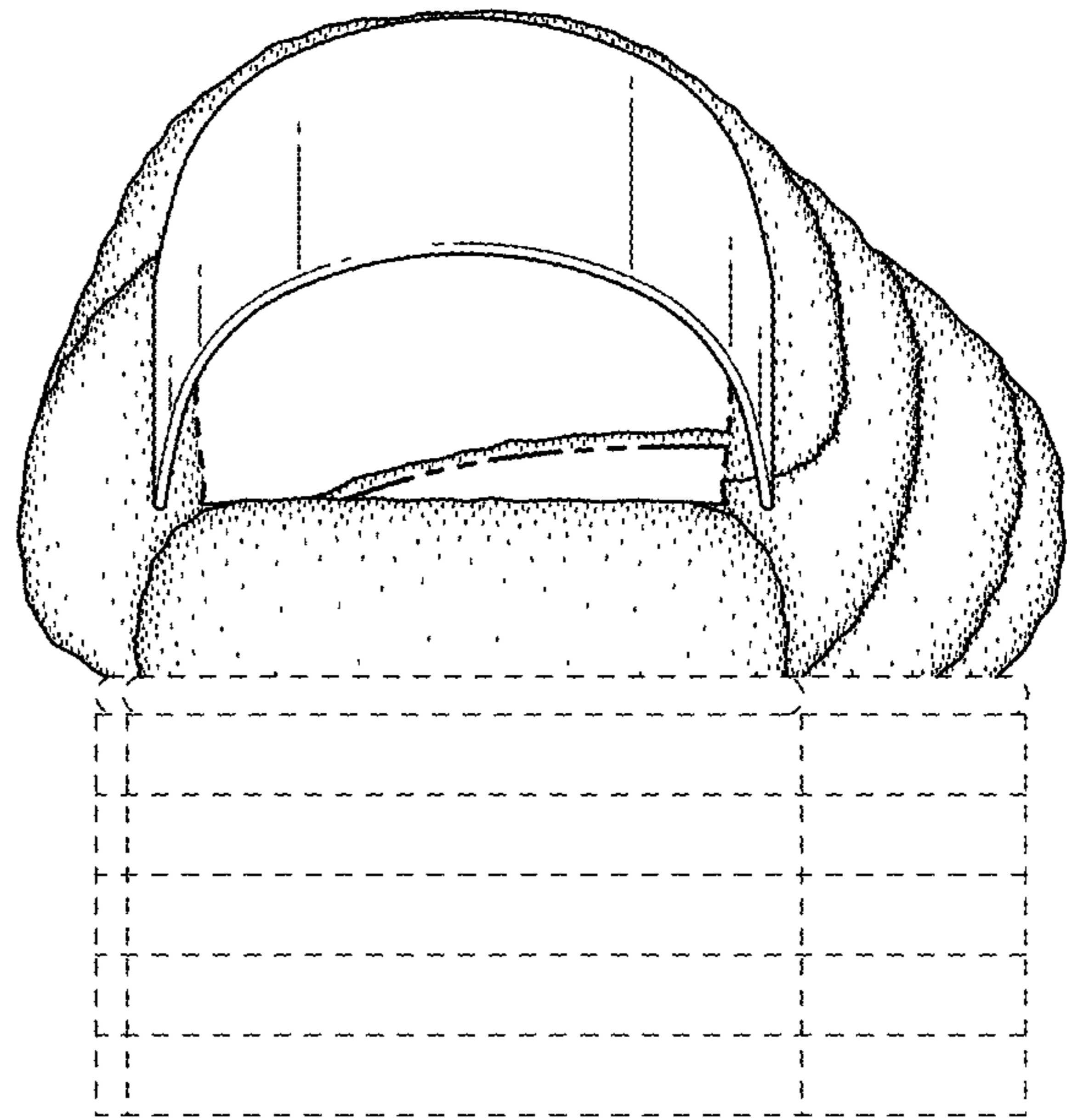


FIG. 5

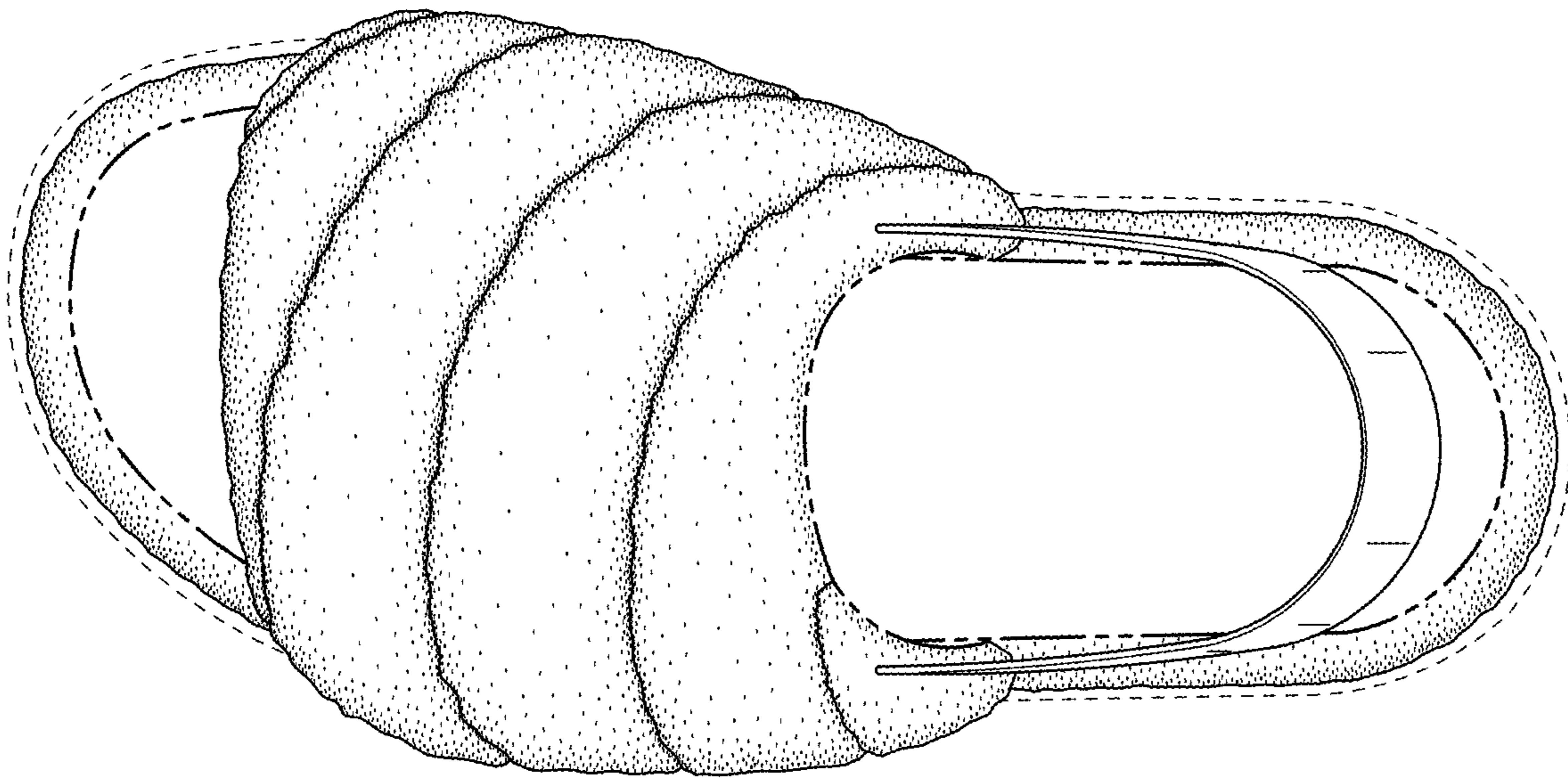


FIG. 6

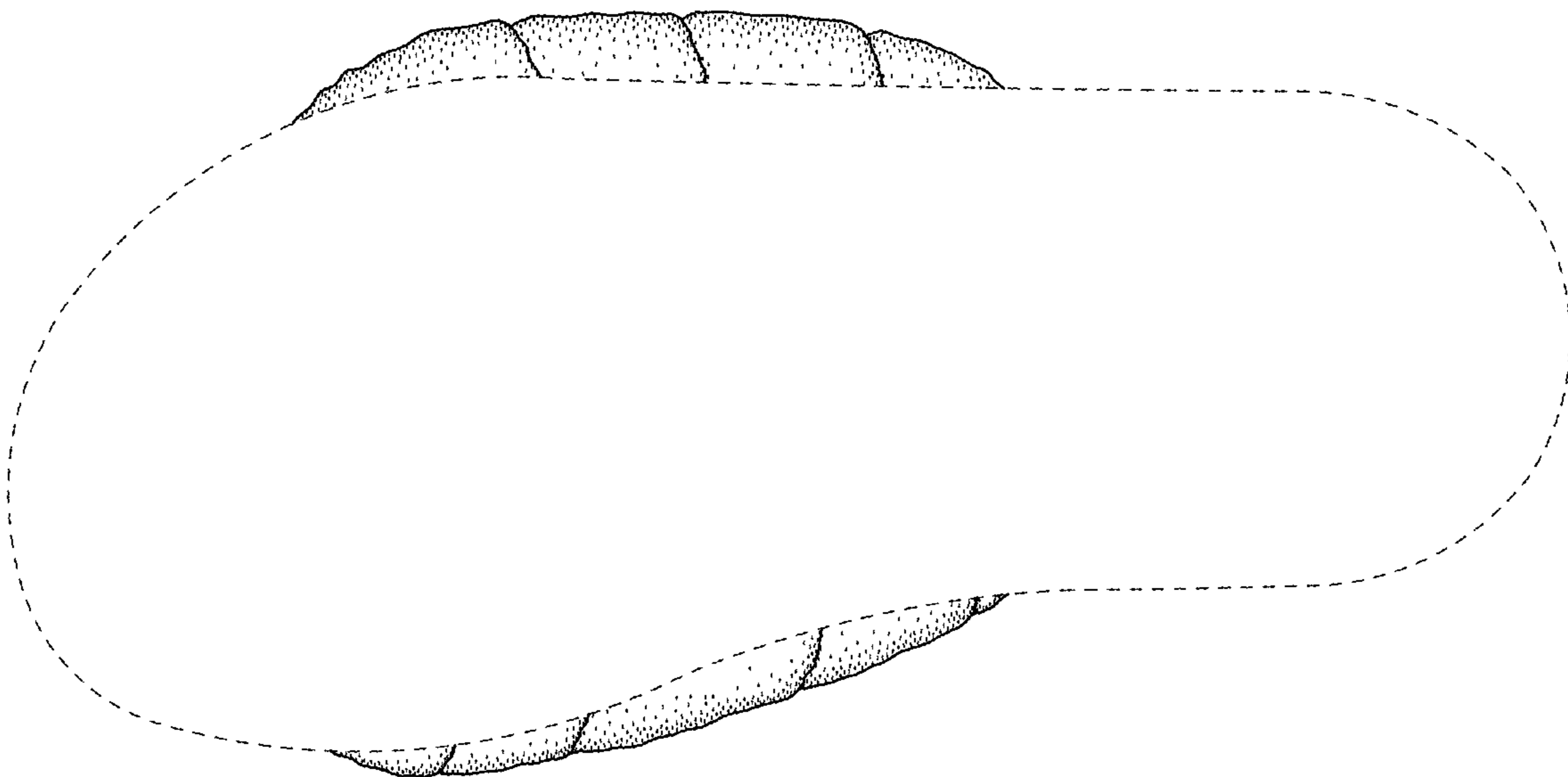


FIG. 7