



US00D974706S

(12) **United States Design Patent**
Rea et al.

(10) **Patent No.:** **US D974,706 S**
(45) **Date of Patent:** **** Jan. 10, 2023**

- (54) **SHOE WITH ROLLERSKATE MOTIF**
- (71) Applicant: **HHWTS Productions Limited Liability Company**, Hawthorne, NJ (US)
- (72) Inventors: **Christine Rea**, Hawthorne, NJ (US); **Lindsay McWilliams**, Brooklyn, NY (US)
- (73) Assignee: **HHWTS Productions Limited Liability Company**, Hawthorne, NJ (US)
- (**) Term: **15 Years**
- (21) Appl. No.: **29/693,842**
- (22) Filed: **Jun. 5, 2019**
- (51) **LOC (14) Cl.** **02-04**
- (52) **U.S. Cl.**
USPC **D2/898**; D2/904; D2/911; D2/948
- (58) **Field of Classification Search**
USPC D2/896–900, 909–912, 920, 943, 946, D2/969, 970–974; D21/685, 765, 764, D21/763
CPC A43B 23/07; A43B 3/16; A43B 23/00; A43B 23/02; A43B 5/04; A43B 3/02
See application file for complete search history.

- (56) **References Cited**
U.S. PATENT DOCUMENTS
3,339,936 A * 9/1967 Hamlin A63C 17/1409 280/11.233
3,509,646 A * 5/1970 Vietas A43B 5/16 280/11.3
3,574,958 A * 4/1971 Martuch A43B 13/226 36/84
D223,792 S * 6/1972 Martuch A63C 17/1409 D2/912

- 3,843,146 A * 10/1974 Hiraki A63C 17/02 280/11.209
- D236,741 S * 9/1975 Smith A43B 13/226 280/11.233
- 3,968,973 A * 7/1976 McCormack A63C 17/1436 280/11.209
- D240,973 S * 8/1976 Tesky A63C 17/02 D2/898
- D240,974 S * 8/1976 Tesky A63C 17/1409 D2/898
- 4,294,455 A * 10/1981 Krueger A63C 17/02 280/11.209

(Continued)

OTHER PUBLICATIONS

Platform shoes, Dollskill store website, www.dollskill.com/collections/shoes. pp. 29 . Aug. 12, 20222 (Year: 2022).*

(Continued)

Primary Examiner — Rashida C. Walshon
(74) *Attorney, Agent, or Firm* — Merchant & Gould P.C.

(57) **CLAIM**

The ornamental design for a shoe with rollerskate motif, as shown and described.

DESCRIPTION

FIG. 1 is an upper perspective view of a shoe with roller-skate motif, according to the new design; FIG. 2 is a bottom perspective view of the shoe of FIG. 1; FIG. 3 is a front view thereof; FIG. 4 is a rear view thereof; FIG. 5 is a right side view thereof; FIG. 6 is a left side view thereof; FIG. 7 is a top view thereof; and, FIG. 8 is a bottom view thereof. The broken lines are included for the purpose of illustrating environmental structure and form no part of the claimed design.

1 Claim, 8 Drawing Sheets



(56)

References Cited

U.S. PATENT DOCUMENTS

D319,718 S 9/1991 Del Vecchio et al.
 D343,948 S * 2/1994 Smith A63C 17/1436
 D2/977
 D353,706 S 12/1994 Telles
 5,511,824 A * 4/1996 Kim A63C 17/20
 280/841
 D394,137 S 5/1998 Nadel
 D398,438 S * 9/1998 De Baere A63C 17/20
 D2/912
 D434,546 S 12/2000 Zelenack
 D450,174 S 11/2001 Scotti
 D452,604 S 1/2002 Blanco
 D495,120 S * 8/2004 Lindsay A63C 17/1436
 D2/897
 D495,470 S 9/2004 Schellinger
 D517,783 S 3/2006 Godkin
 D584,488 S 1/2009 Hightower

7,497,446 B2 * 3/2009 Yang A63C 17/008
 280/841
 D590,578 S 4/2009 Hill
 D591,935 S * 5/2009 Lee A63C 17/20
 D2/909
 7,610,972 B2 * 11/2009 Adams A43B 3/34
 180/181

OTHER PUBLICATIONS

Photo of shoes; <http://wheretogit.it/look/1672068>; retrieved May 18, 2020, existed before Jun. 12, 2019, 3pgs.
 Photo of shoes; <https://www.pinterest.com/pin/229754018461674322/>; retrieved May 18, 2020, existed before Jun. 12, 2019, 6pgs.
 Photos of shoes and patterns; <https://www.craftster.org/forum/index.php?topic=327030.0>; retrieved May 18, 2020, existed before Jun. 12, 2019, 11 pgs.

* cited by examiner

FIG. 1



FIG. 2

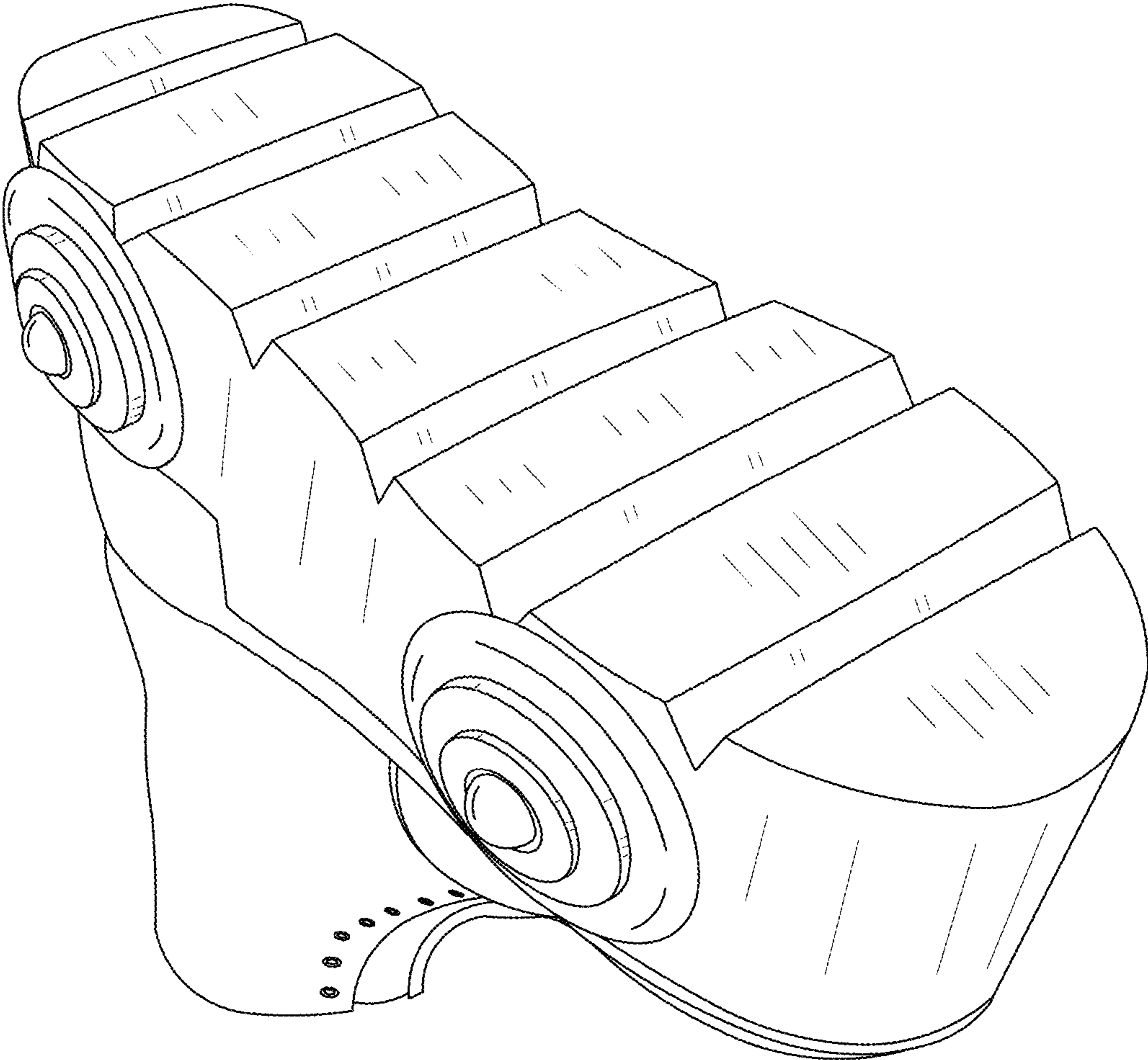


FIG. 3

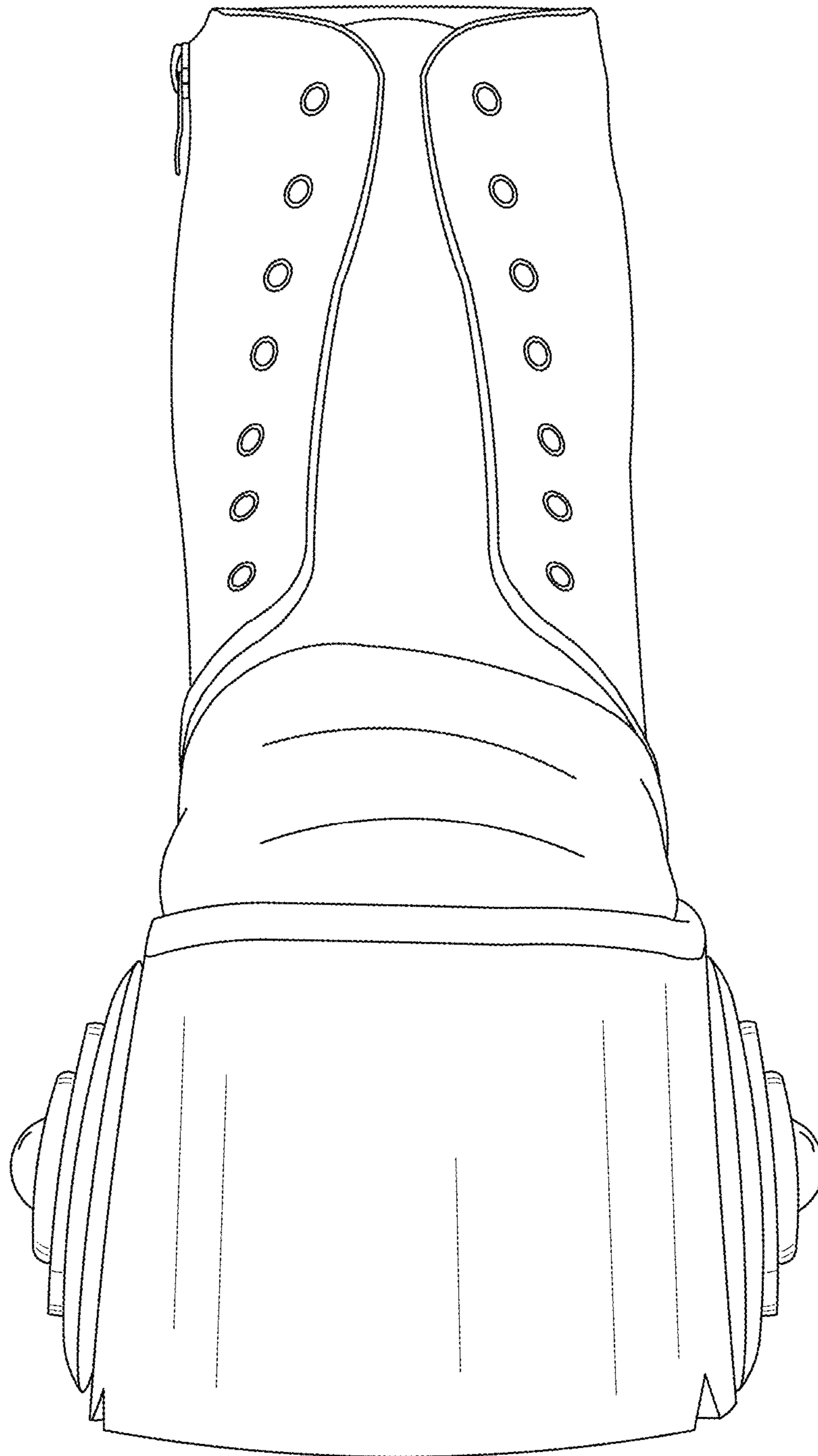


FIG. 4

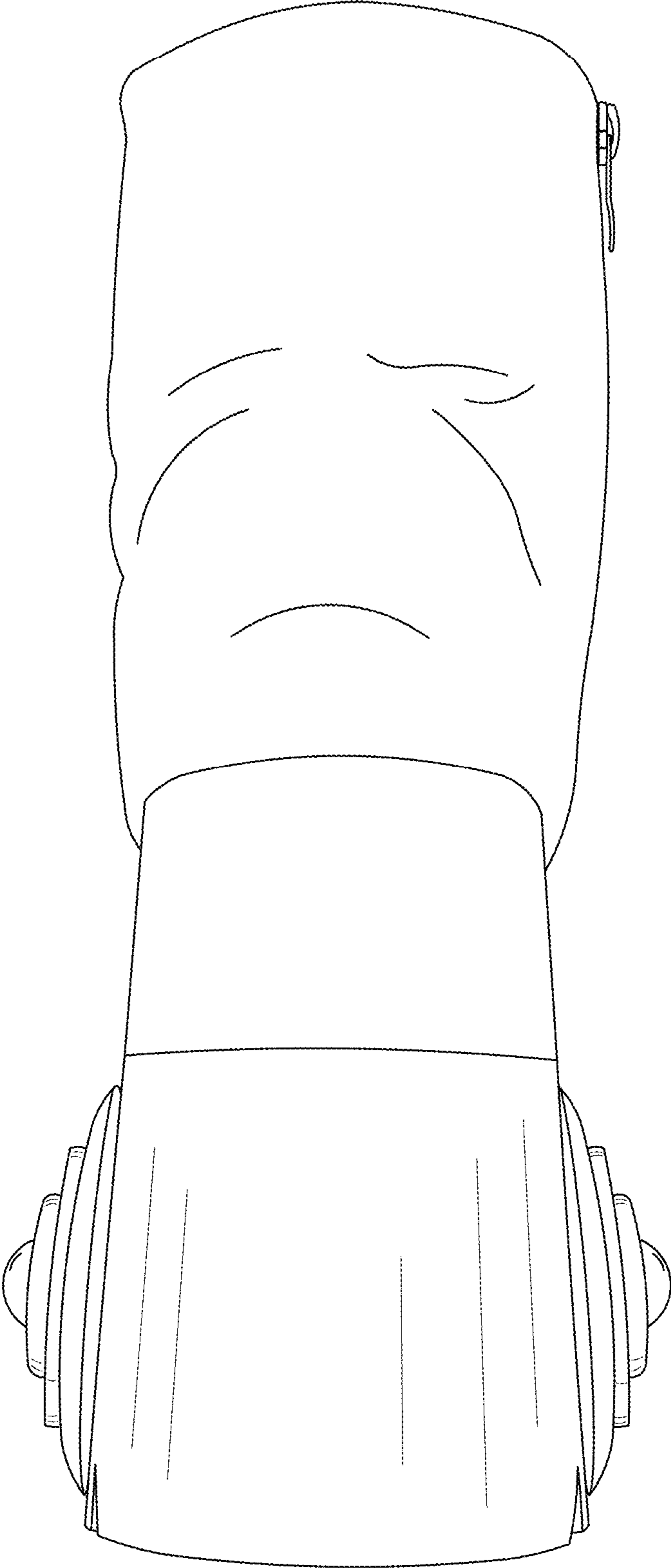




FIG. 5

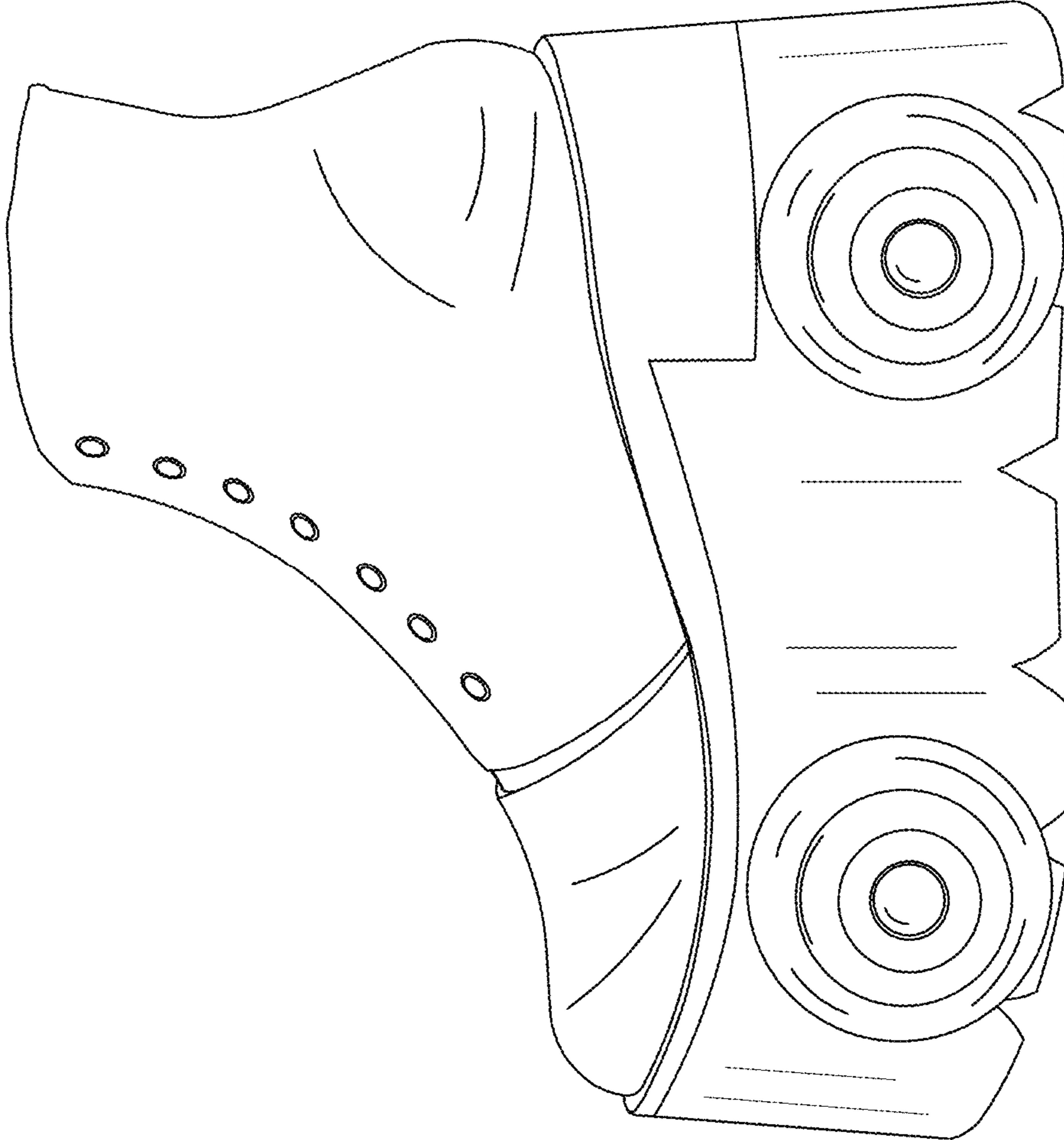


FIG. 6

FIG. 7

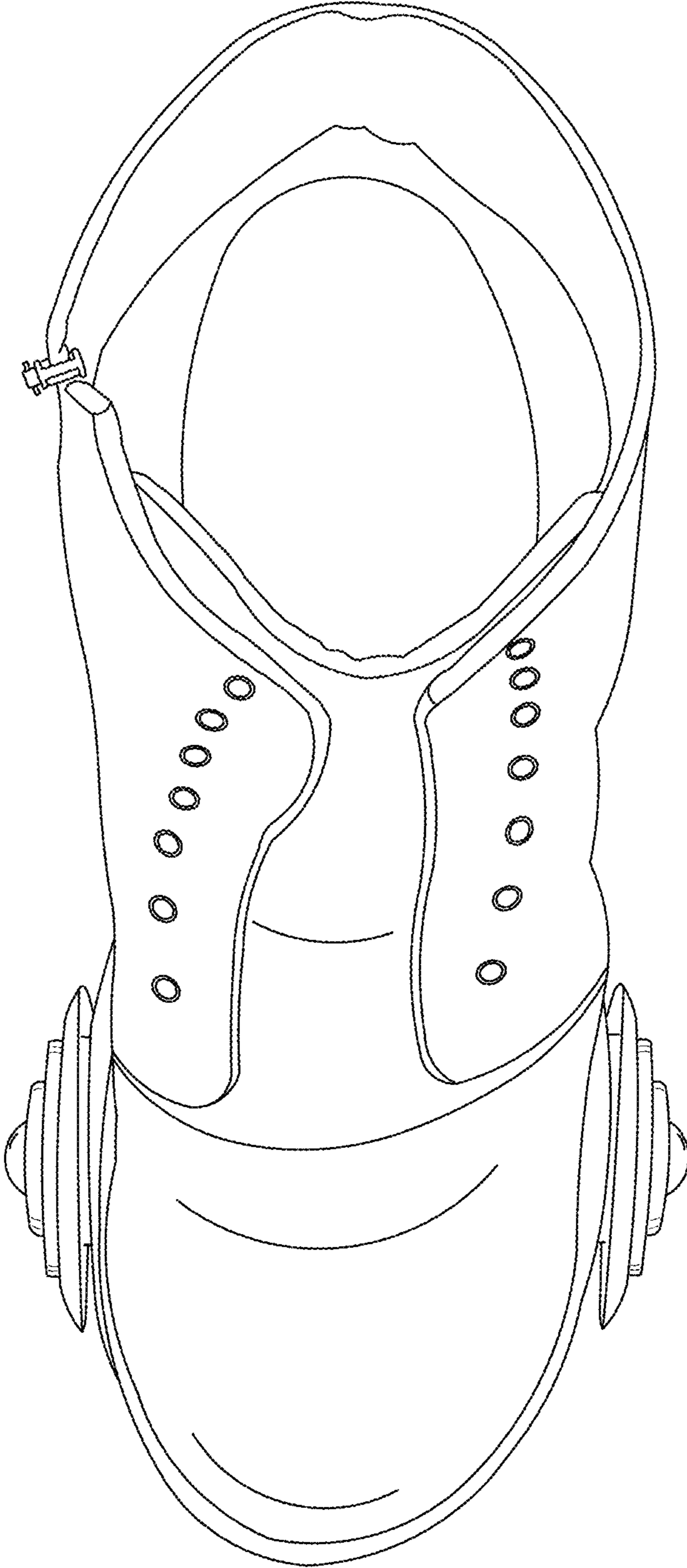


FIG. 8

