



US00D974705S

(12) **United States Design Patent**  
**Bartlett et al.**

(10) **Patent No.:** **US D974,705 S**  
(45) **Date of Patent:** **\*\* Jan. 10, 2023**

(54) **MORTARBOARD STYLE HEADWEAR**

(71) Applicants: **Kadin Thomas Bartlett**, Hudson, WI (US); **Steven Thomas Bartlett**, Hudson, WI (US); **Stacy Ann Bartlett**, Hudson, WI (US)

(72) Inventors: **Kadin Thomas Bartlett**, Hudson, WI (US); **Steven Thomas Bartlett**, Hudson, WI (US); **Stacy Ann Bartlett**, Hudson, WI (US)

(\*\*) Term: **15 Years**

(21) Appl. No.: **29/664,789**

(22) Filed: **Sep. 27, 2018**

(51) **LOC (14) Cl.** ..... **02-03**

(52) **U.S. Cl.**  
USPC ..... **D2/866**

(58) **Field of Classification Search**  
USPC ..... D2/865, 866, 869, 870, 872, 873, 874,  
D2/876, 878, 879, 880, 881, 882, 883,  
D2/884, 885, 886, 891, 895

(Continued)

(56) **References Cited**

**U.S. PATENT DOCUMENTS**

1,775,185 A \* 9/1930 Aldrich ..... A42B 1/02  
2/171.01  
1,934,114 A \* 11/1933 Brander ..... A42B 1/02  
2/171.01

(Continued)

*Primary Examiner* — Jasmine Mlinarcik

(74) *Attorney, Agent, or Firm* — Patterson Thunte, P.A.

(57) **CLAIM**

The ornamental design for a mortarboard style headwear, as shown and described.

**DESCRIPTION**

FIG. 1 is a perspective view of the mortarboard style headwear according to a first embodiment of the invention.

FIG. 2 is a front view of the mortarboard style headwear depicted in FIG. 1.

FIG. 3 is a back view of the mortarboard style headwear depicted in FIG. 1.

FIG. 4 is a left view of the mortarboard style headwear depicted in FIG. 1.

FIG. 5 is a right view of the mortarboard style headwear depicted in FIG. 1.

FIG. 6 is a top view of the mortarboard style headwear depicted in FIG. 1.

FIG. 7 is a bottom view of the mortarboard style headwear depicted in FIG. 1.

FIG. 8 is a perspective view of the mortarboard style headwear according to a second embodiment of the invention.

FIG. 9 is a front view of the mortarboard style headwear depicted in FIG. 8.

FIG. 10 is a back view of the mortarboard style headwear depicted in FIG. 8.

FIG. 11 is a left view of the mortarboard style headwear depicted in FIG. 8.

FIG. 12 is a right view of the mortarboard style headwear depicted in FIG. 8.

FIG. 13 is a top view of the mortarboard style headwear depicted in FIG. 8.

FIG. 14 is a bottom view of the mortarboard style headwear depicted in FIG. 8.

FIG. 15 is a perspective view of the mortarboard style headwear according to a third embodiment of the invention.

FIG. 16 is a front view of the mortarboard style headwear depicted in FIG. 15.

FIG. 17 is a back view of the mortarboard style headwear depicted in FIG. 15.

FIG. 18 is a left view of the mortarboard style headwear depicted in FIG. 15.

FIG. 19 is a right view of the mortarboard style headwear depicted in FIG. 15.

FIG. 20 is a top view of the mortarboard style headwear depicted in FIG. 15.

FIG. 21 is a bottom view of the mortarboard style headwear depicted in FIG. 15.

FIG. 22 is a perspective view of the mortarboard style headwear according to a fourth embodiment of the invention.

(Continued)

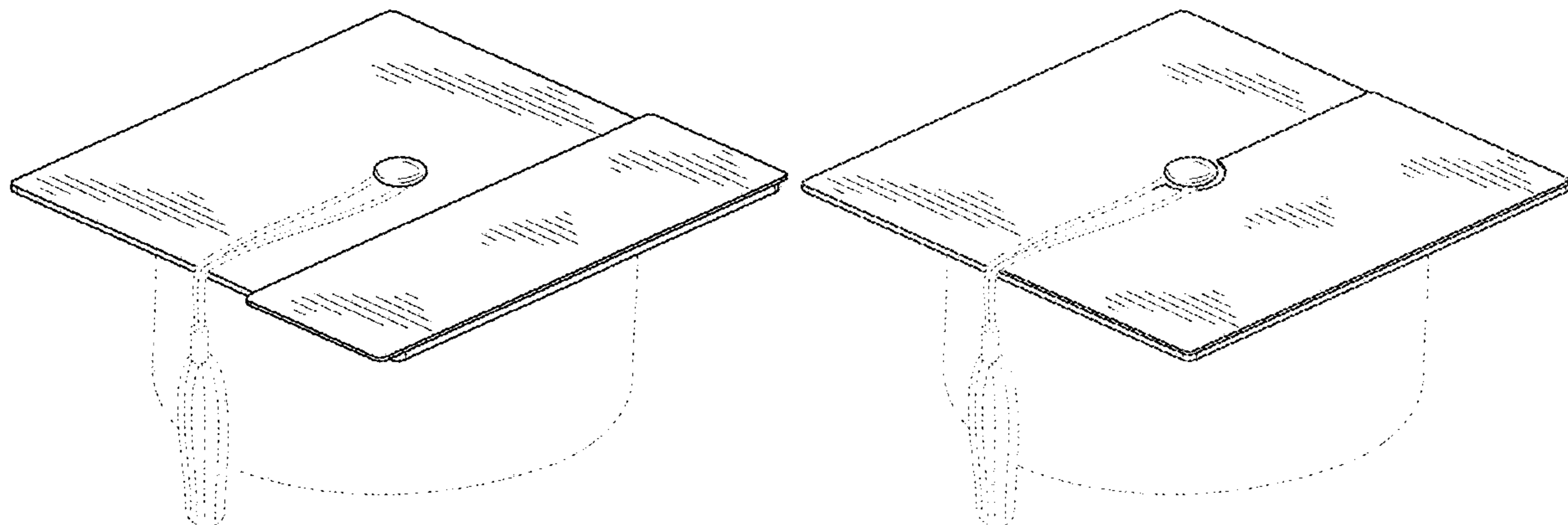


FIG. 23 is a front view of the motarboard style headwear depicted in FIG. 22.  
 FIG. 24 is a back view of the motarboard style headwear depicted in FIG. 22.  
 FIG. 25 is a left view of the motarboard style headwear depicted in FIG. 22.  
 FIG. 26 is a right view of the motarboard style headwear depicted in FIG. 22.  
 FIG. 27 is a top view of the motarboard style headwear depicted in FIG. 22.  
 FIG. 28 is a bottom view of the motarboard style headwear depicted in FIG. 22.  
 FIG. 29 is a perspective view of the motarboard style headwear according to a fifth embodiment of the invention.  
 FIG. 30 is a front view of the motarboard style headwear depicted in FIG. 29.  
 FIG. 31 is a back view of the motarboard style headwear depicted in FIG. 29.  
 FIG. 32 is a left view of the motarboard style headwear depicted in FIG. 29.  
 FIG. 33 is a right view of the motarboard style headwear depicted in FIG. 29.  
 FIG. 34 is a top view of the motarboard style headwear depicted in FIG. 29.  
 FIG. 35 is a bottom view of the motarboard style headwear depicted in FIG. 29.  
 FIG. 36 is a perspective view of the motarboard style headwear according to a sixth embodiment of the invention.  
 FIG. 37 is a front view of the motarboard style headwear depicted in FIG. 36.  
 FIG. 38 is a back view of the motarboard style headwear depicted in FIG. 36.  
 FIG. 39 is a left view of the motarboard style headwear depicted in FIG. 36.  
 FIG. 40 is a right view of the motarboard style headwear depicted in FIG. 36.  
 FIG. 41 is a top view of the motarboard style headwear depicted in FIG. 36; and,  
 FIG. 42 is a bottom view of the motarboard style headwear depicted in FIG. 36.

The broken lines in the drawings illustrate portions of the motarboard style headwear that form no part of the claimed design and may depict environmental subject matter only.

**1 Claim, 30 Drawing Sheets**

(58) **Field of Classification Search**

CPC ..... A42B 1/00; A42B 1/004; A42B 1/006;  
 A42B 1/02; A42B 1/04; A42B 1/045;  
 A42B 1/062; A42B 1/22; A42B 1/24;  
 A42B 1/241; A42B 1/248; A42B 7/00;  
 A42C 5/00

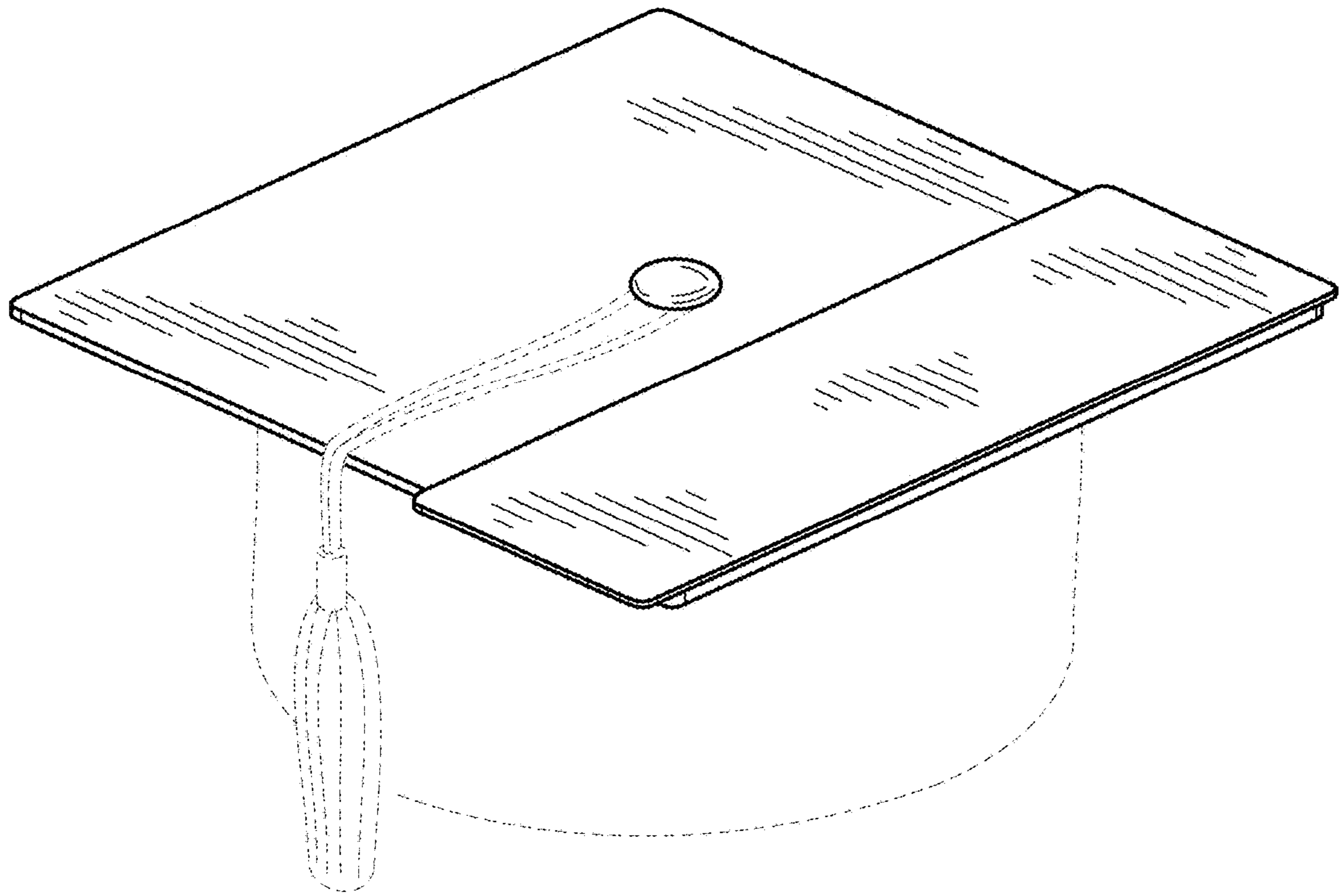
See application file for complete search history.

(56) **References Cited**

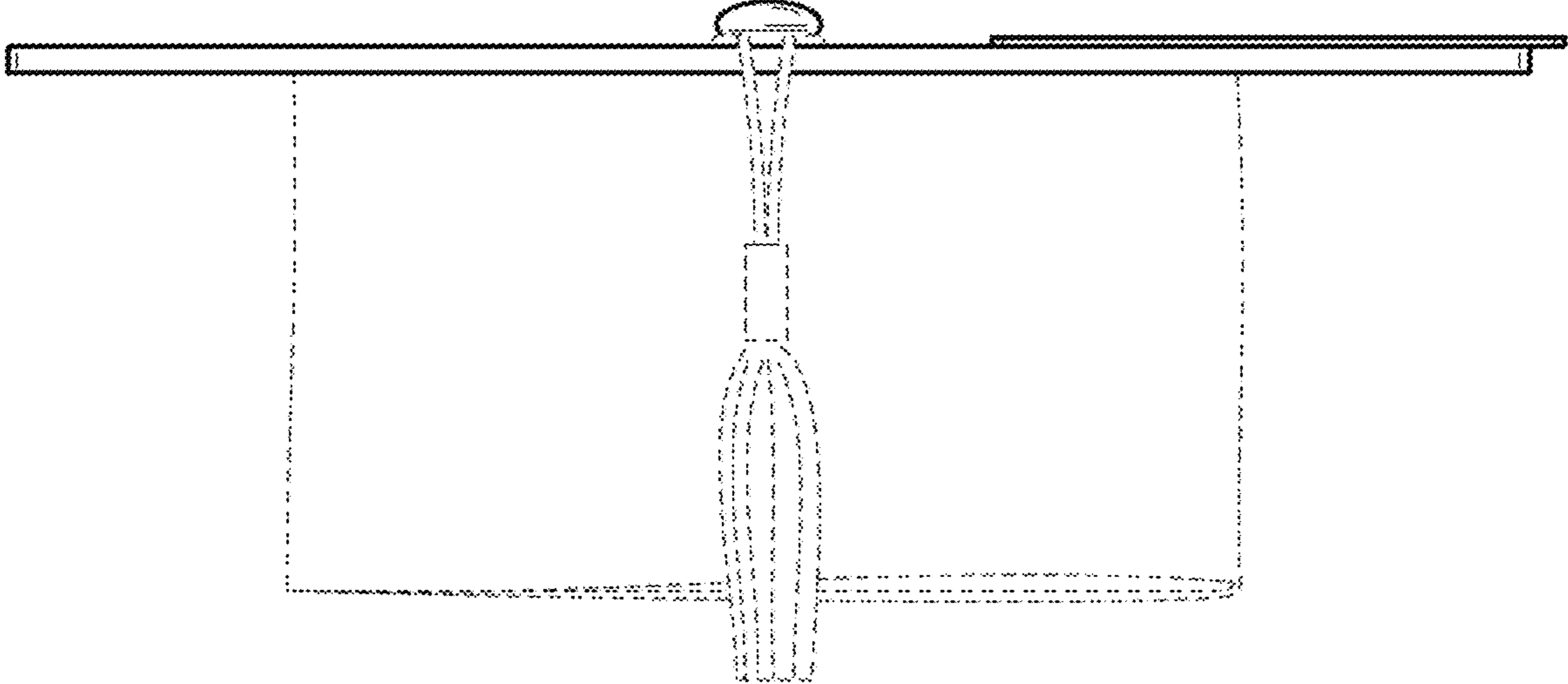
U.S. PATENT DOCUMENTS

2,289,370	A *	7/1942	Krag .....	A42B 1/02 2/171.01
2,629,874	A *	2/1953	La Maida .....	A42B 1/02 2/184.5
2,880,423	A *	4/1959	O'Reilly .....	A42B 1/02 2/171.04
2,899,682	A *	8/1959	La Maida .....	A42B 1/02 2/171.01
2,987,731	A *	6/1961	Mills .....	A42B 1/02 2/171.01
2,995,758	A *	8/1961	La Maida .....	A42B 1/02 2/171.01
3,133,290	A *	5/1964	Mills .....	A42B 1/02 2/171.01
3,134,107	A *	5/1964	Kelly .....	A42B 1/02 2/171.01
D389,513	S *	1/1998	Bell .....	D19/6
9,241,526	B2 *	1/2016	Goldberg .....	A42B 1/248
10,034,509	B2 *	7/2018	Pruett .....	A42B 1/02
D852,464	S *	7/2019	Kirschner .....	D2/872
D855,292	S *	8/2019	Robinson .....	D2/866
10,405,596	B2 *	9/2019	Burns .....	A42B 1/02
2002/0020087	A1 *	2/2002	Griffith .....	G09F 1/14 40/124.4
2004/0010840	A1 *	1/2004	Lin .....	A42B 1/201 2/171.01
2007/0033705	A1 *	2/2007	Dickson .....	A42B 1/02 2/175.6

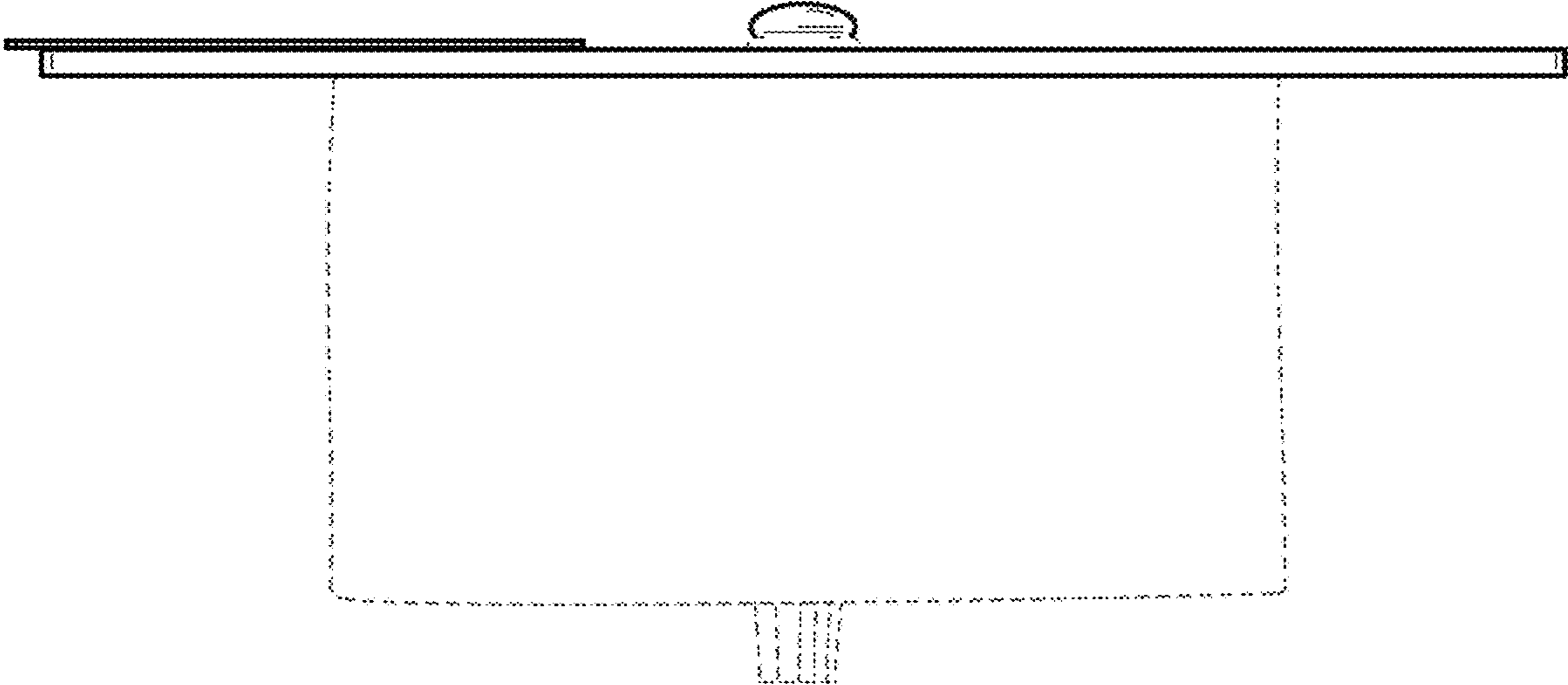
\* cited by examiner



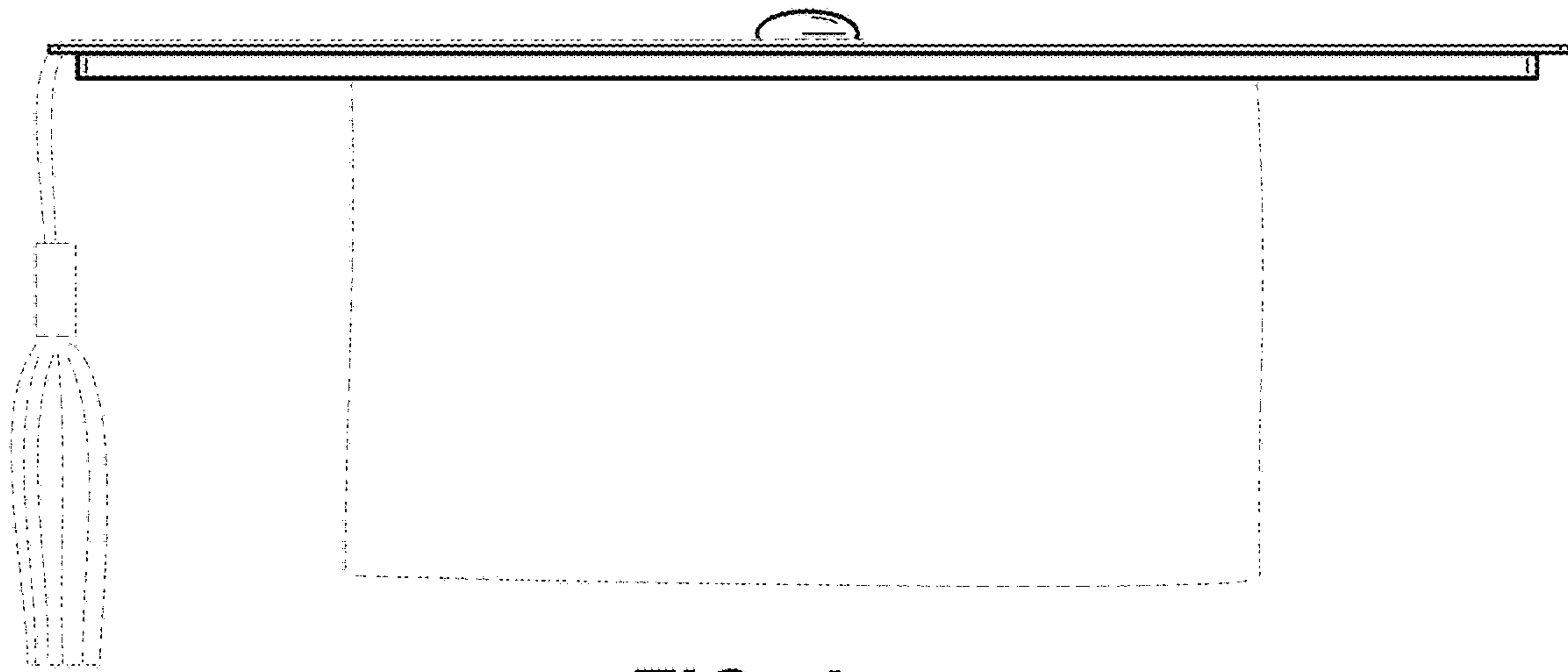
**FIG. 1**



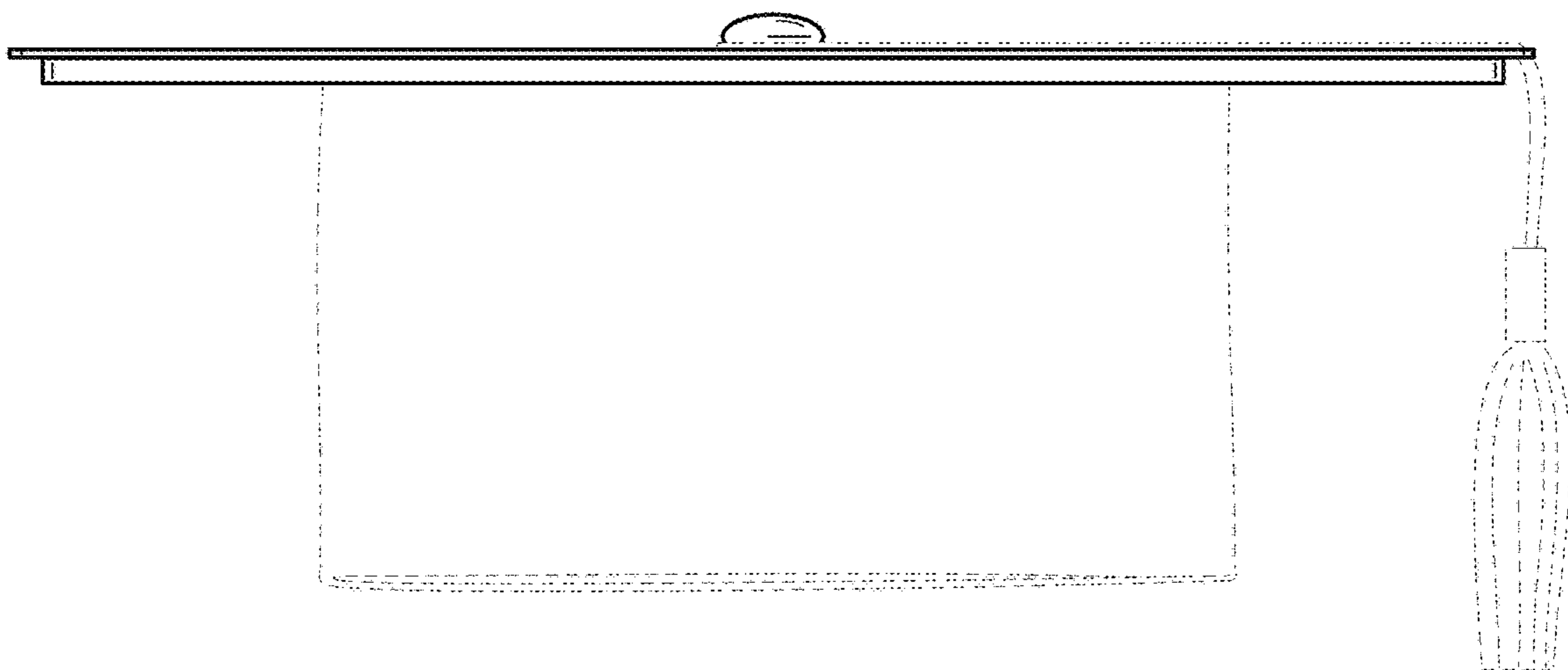
**FIG. 2**



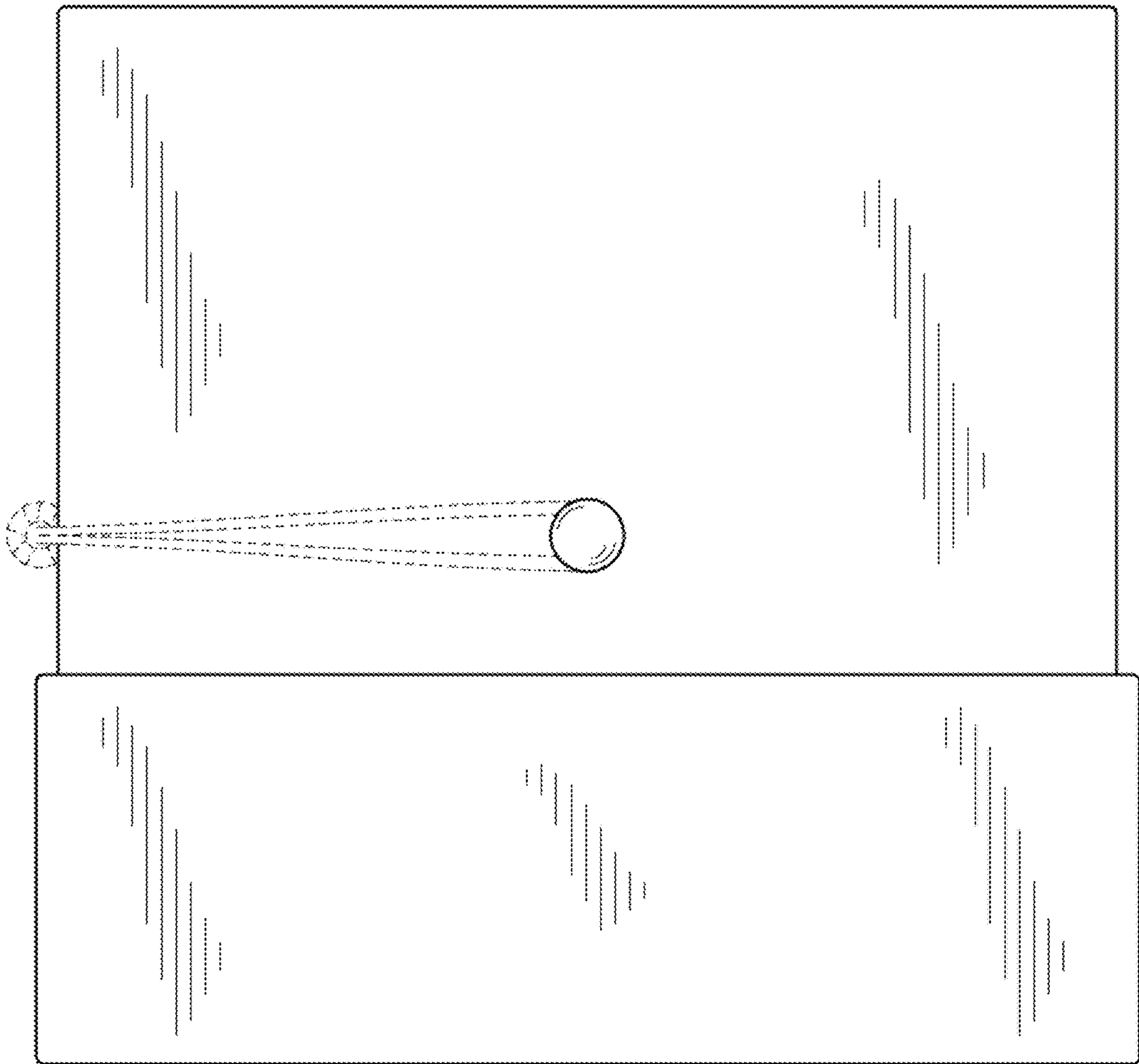
**FIG. 3**



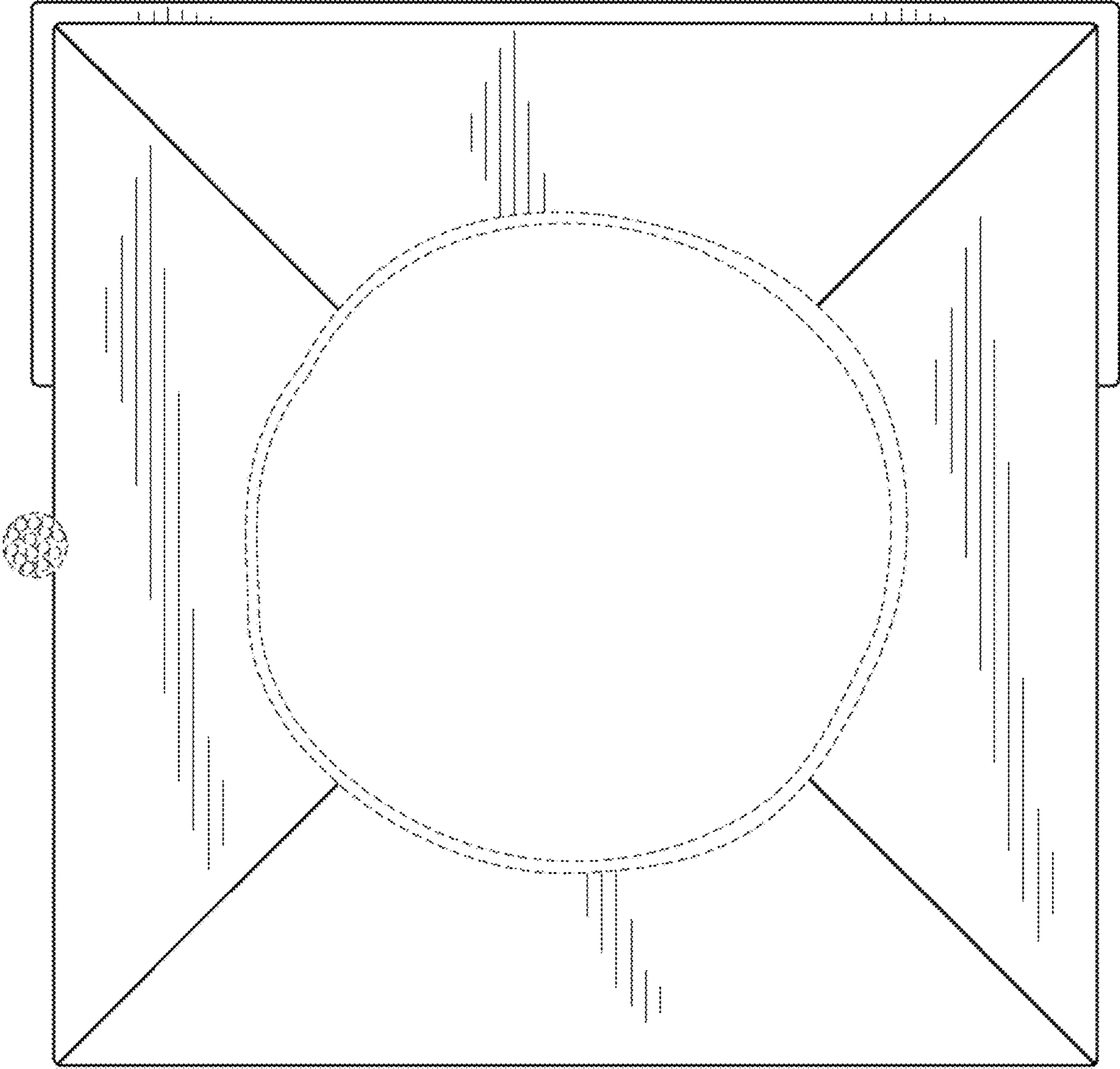
**FIG. 4**



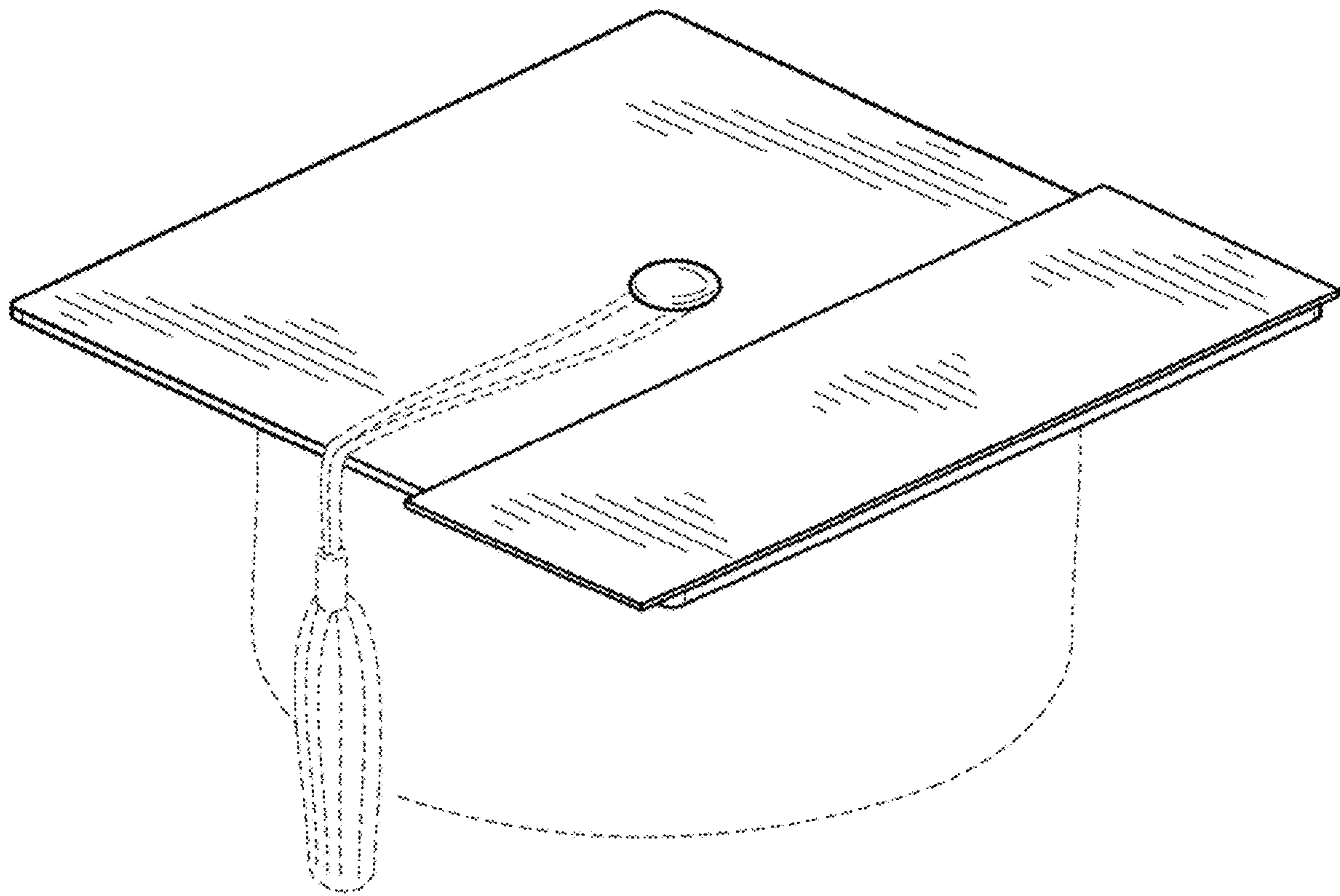
**FIG. 5**



**FIG. 6**

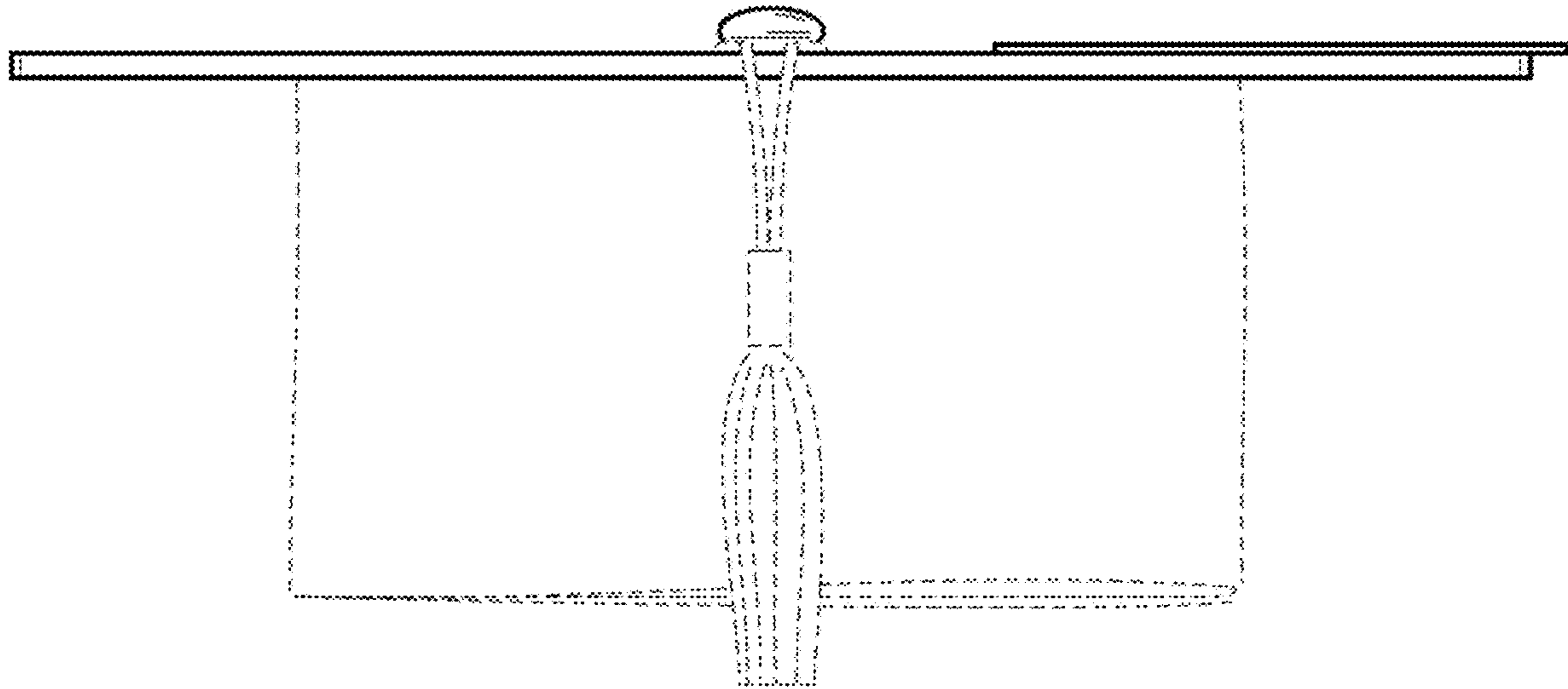


**FIG. 7**

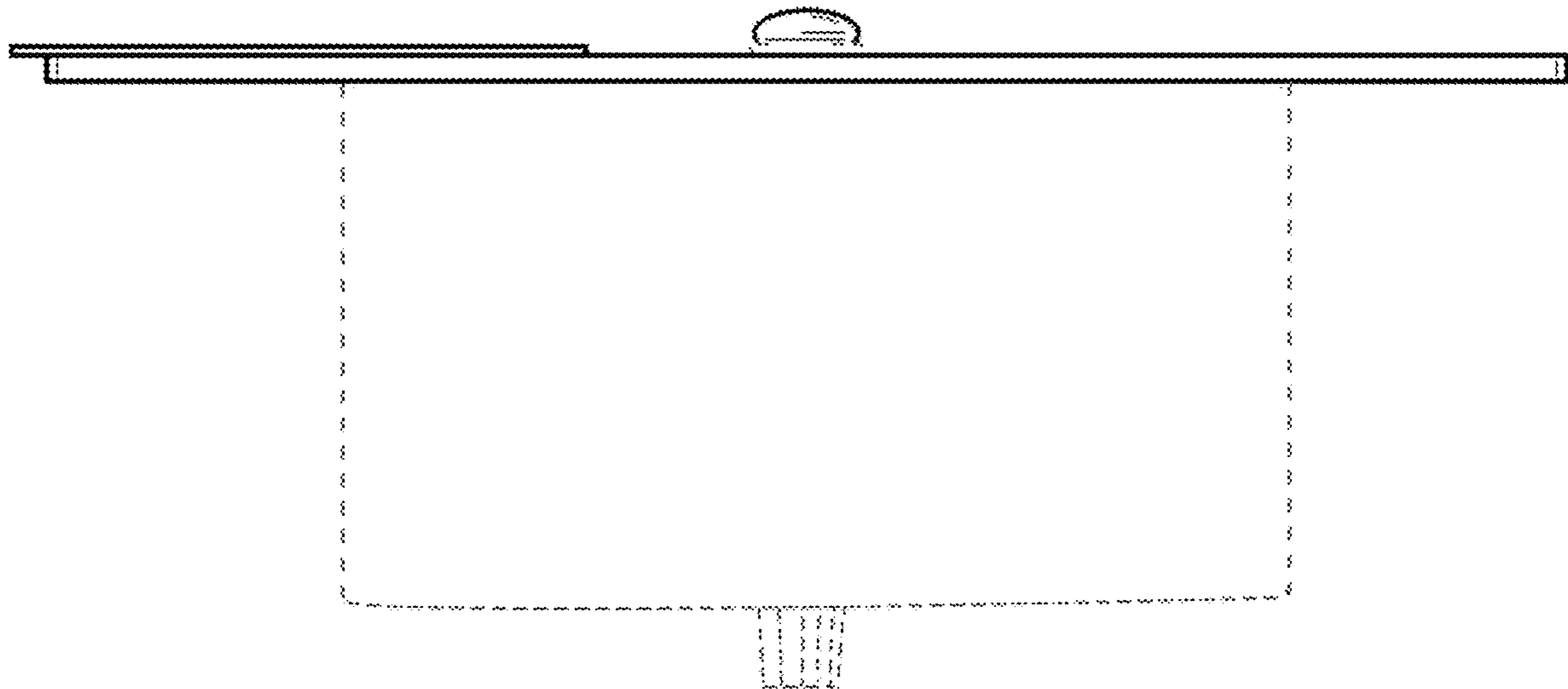


**FIG. 8**

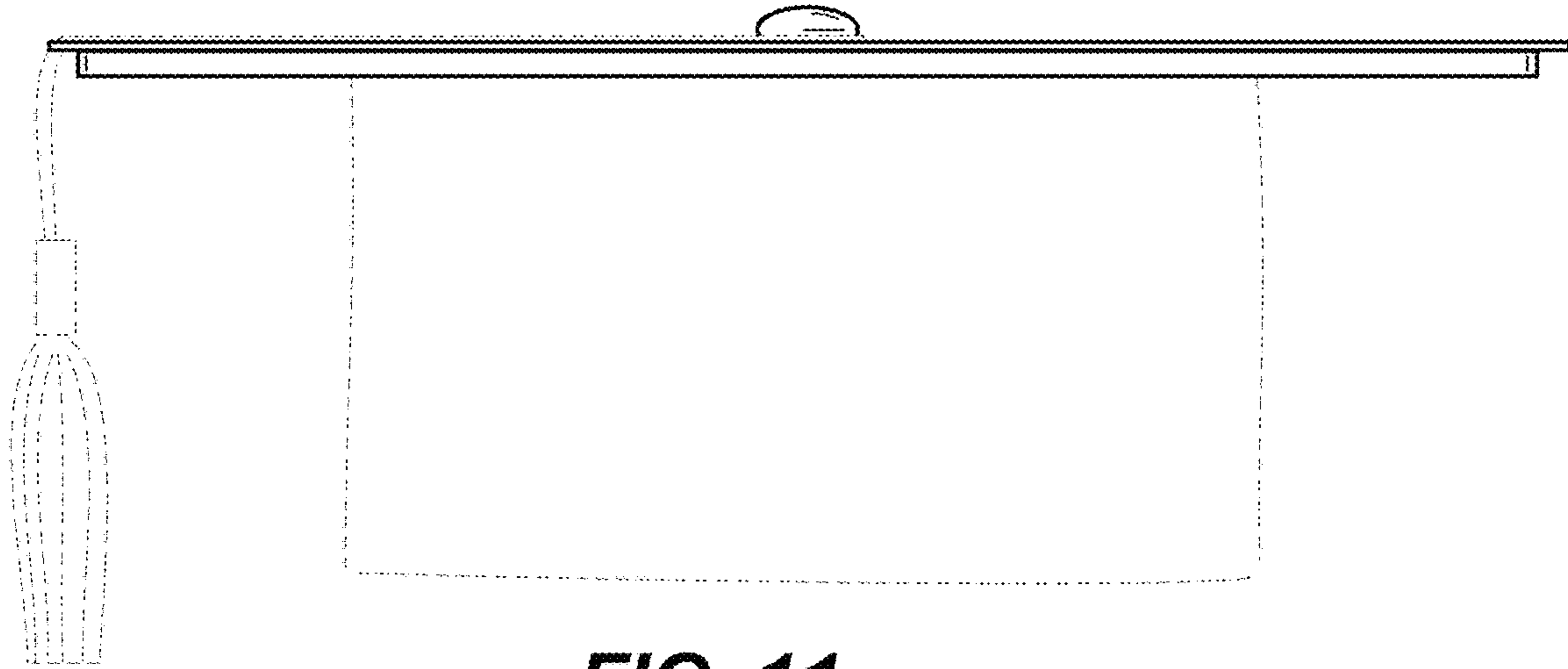




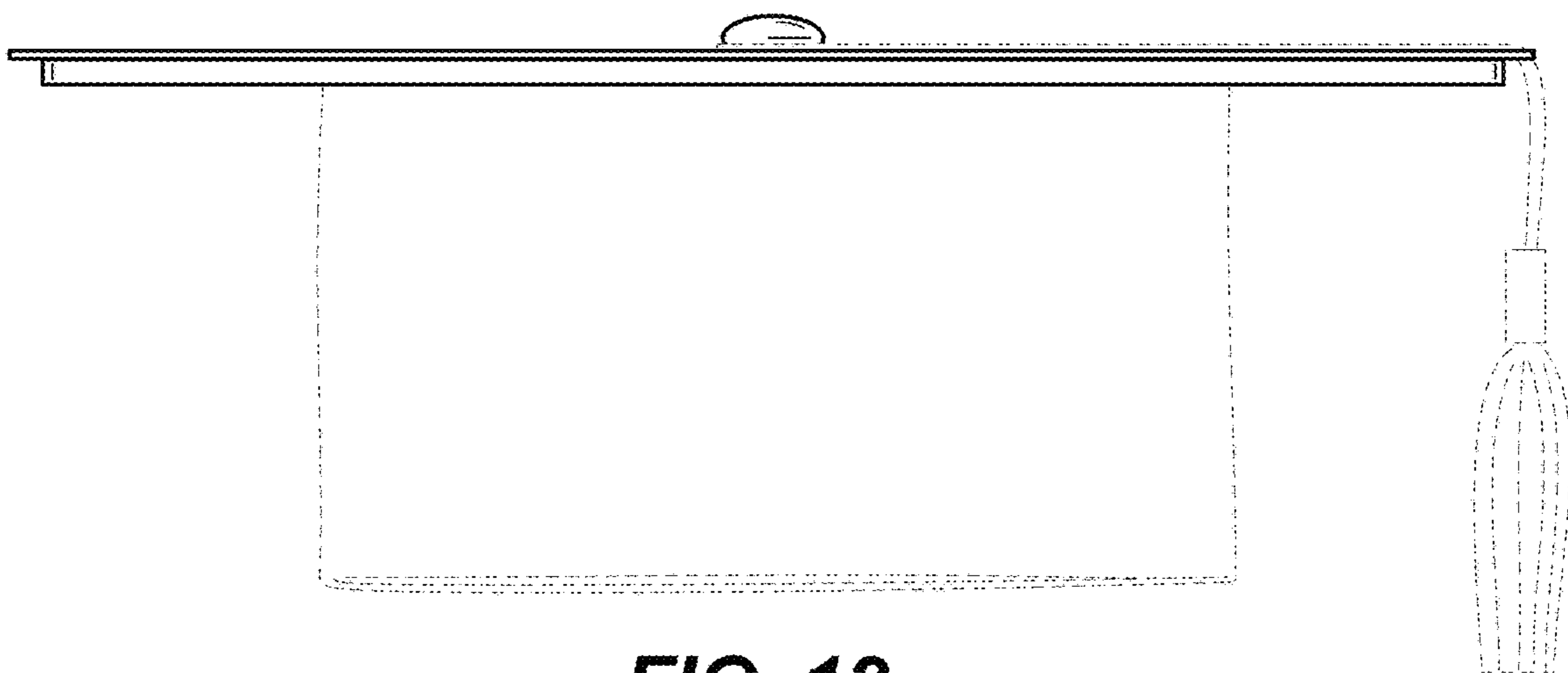
**FIG. 9**



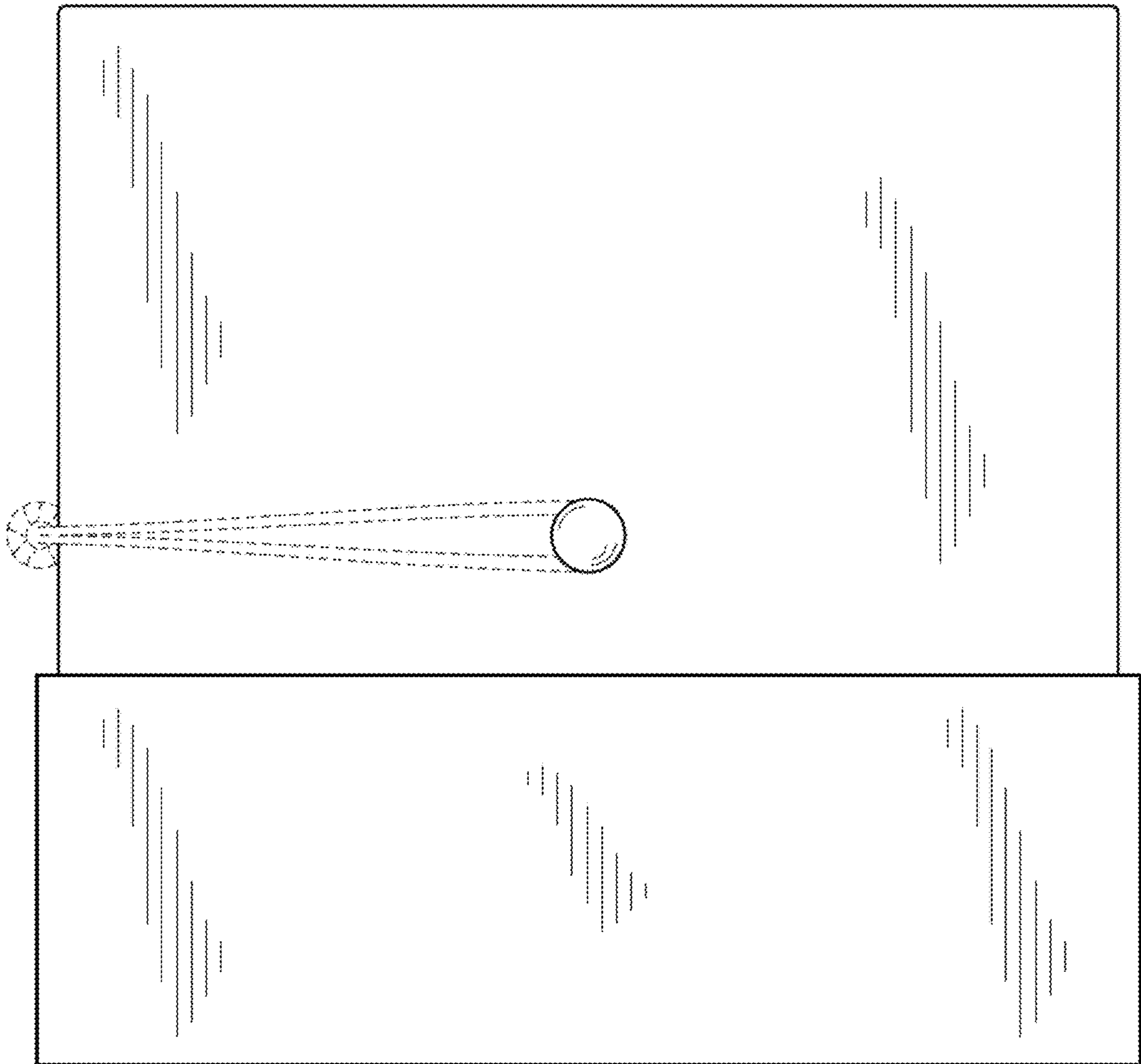
**FIG. 10**



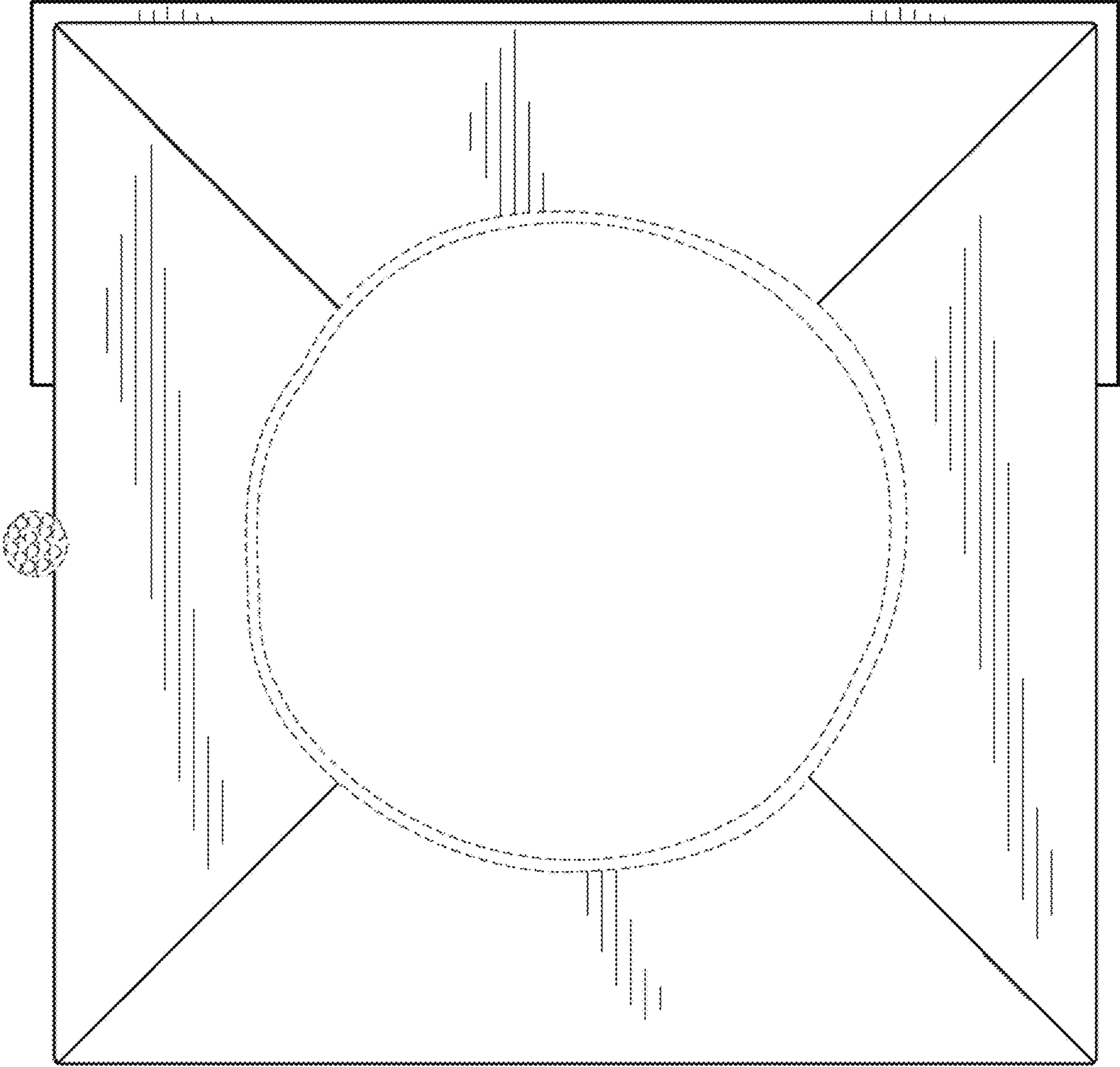
**FIG. 11**



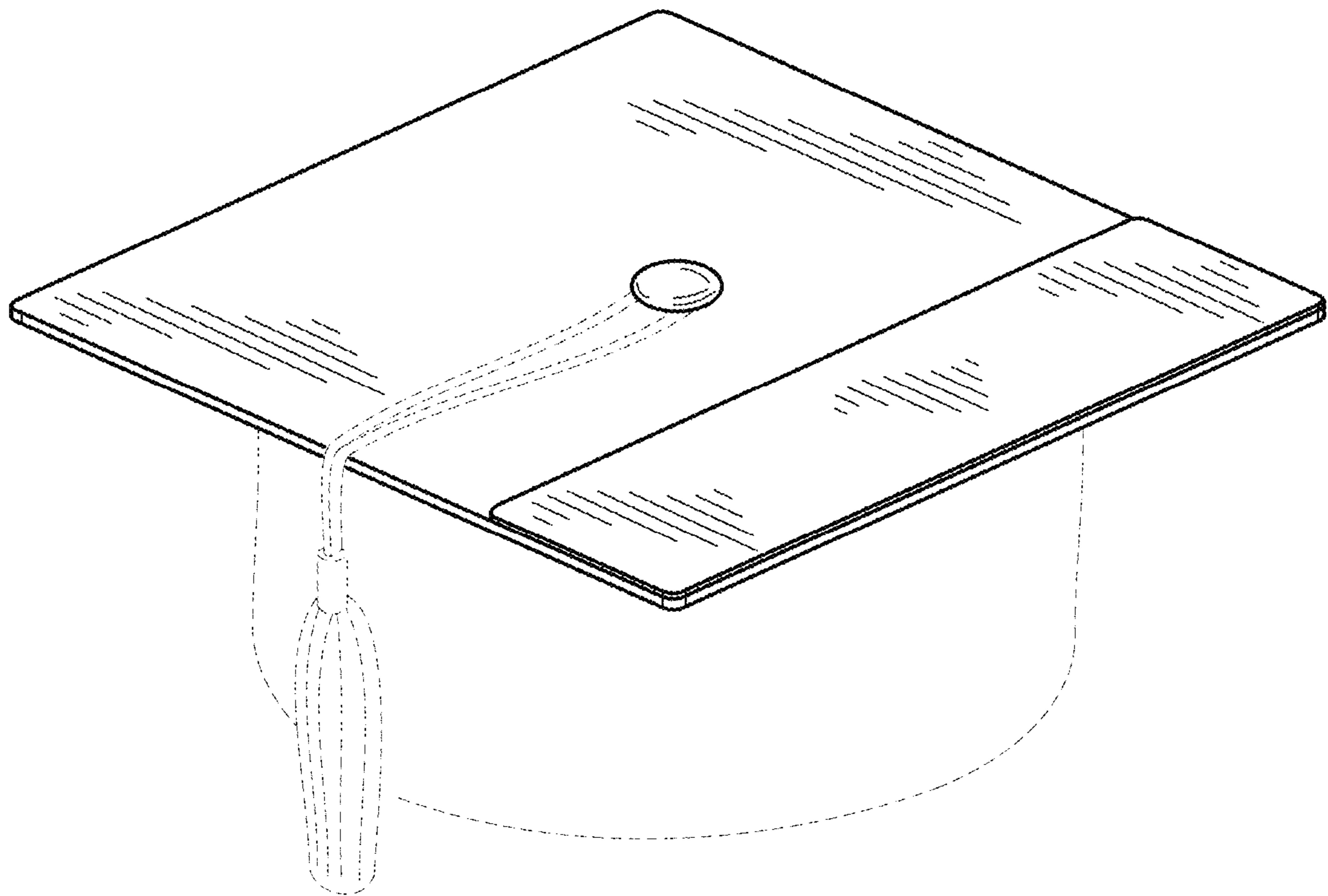
**FIG. 12**



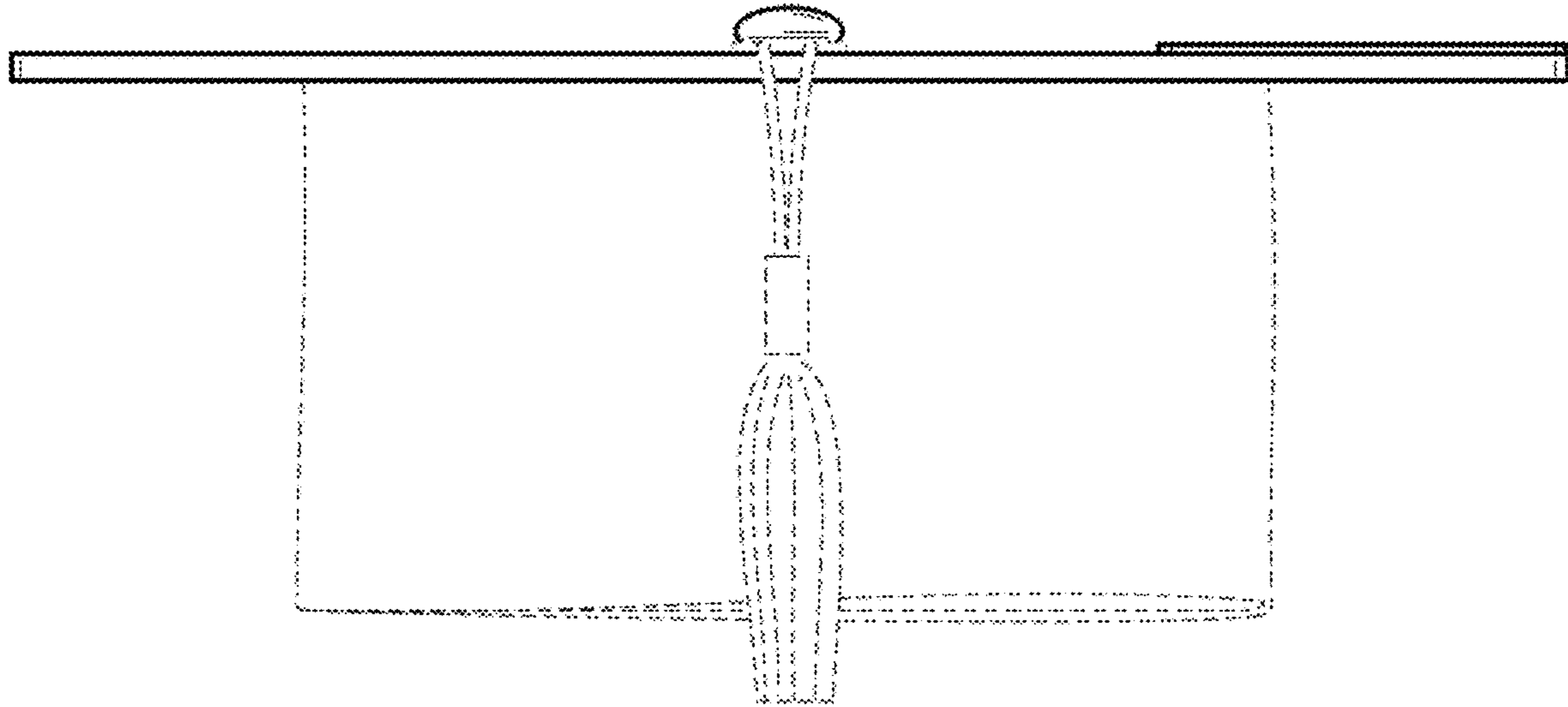
**FIG. 13**



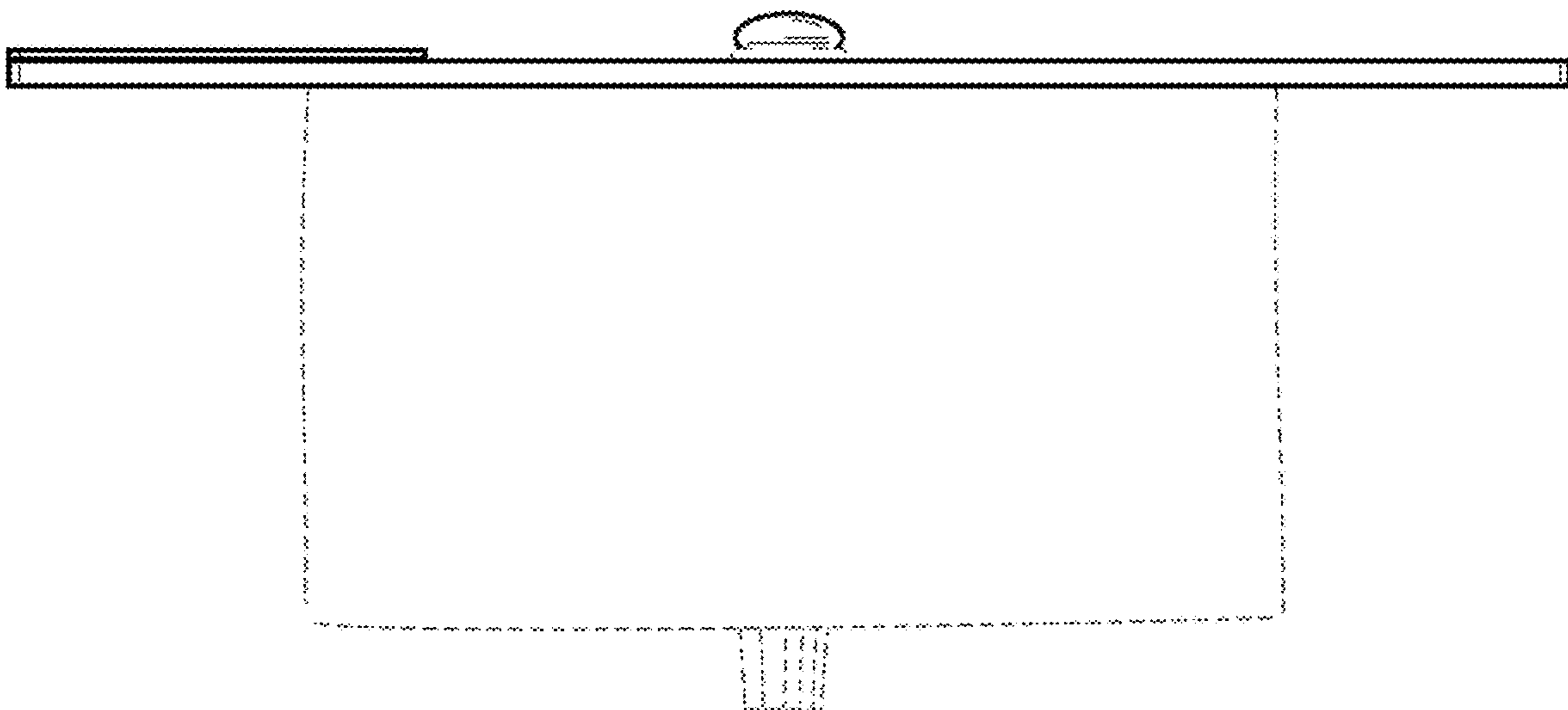
**FIG. 14**



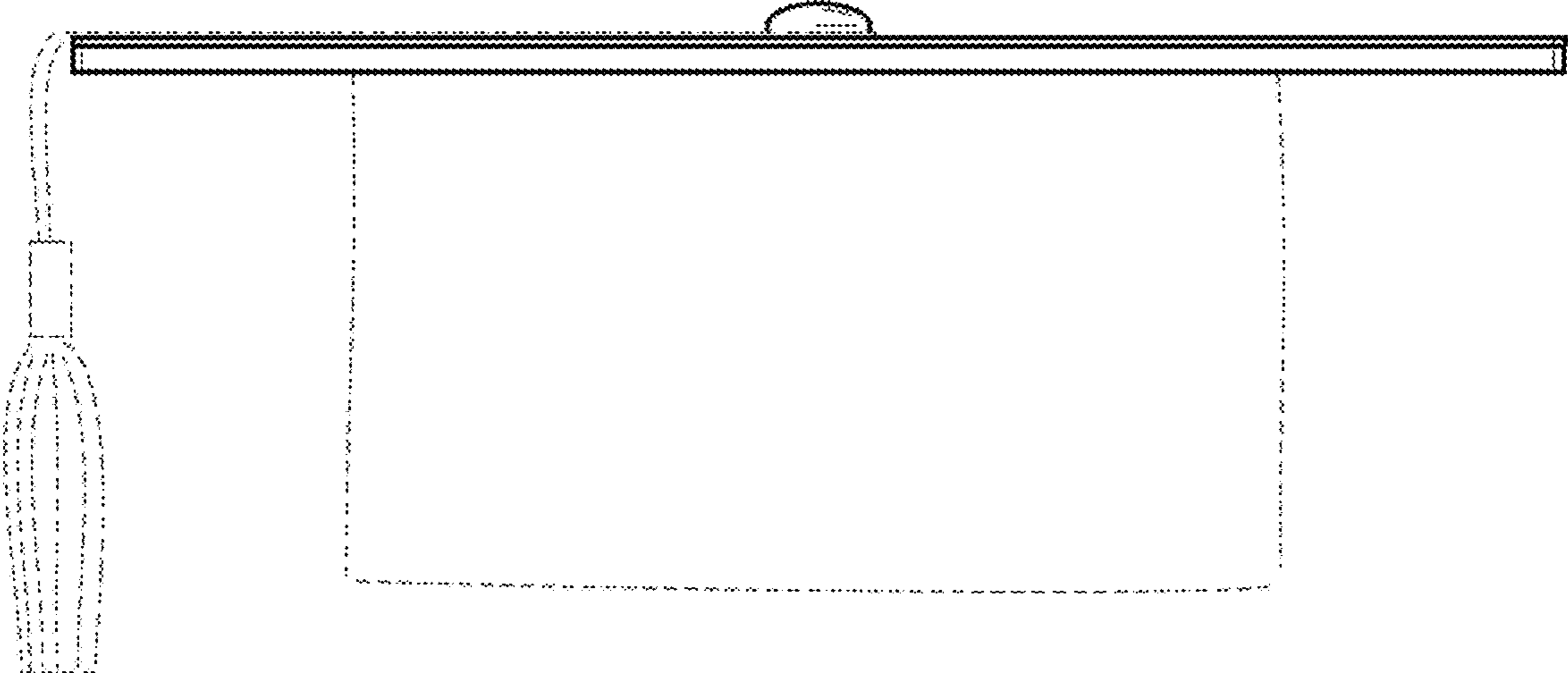
**FIG. 15**



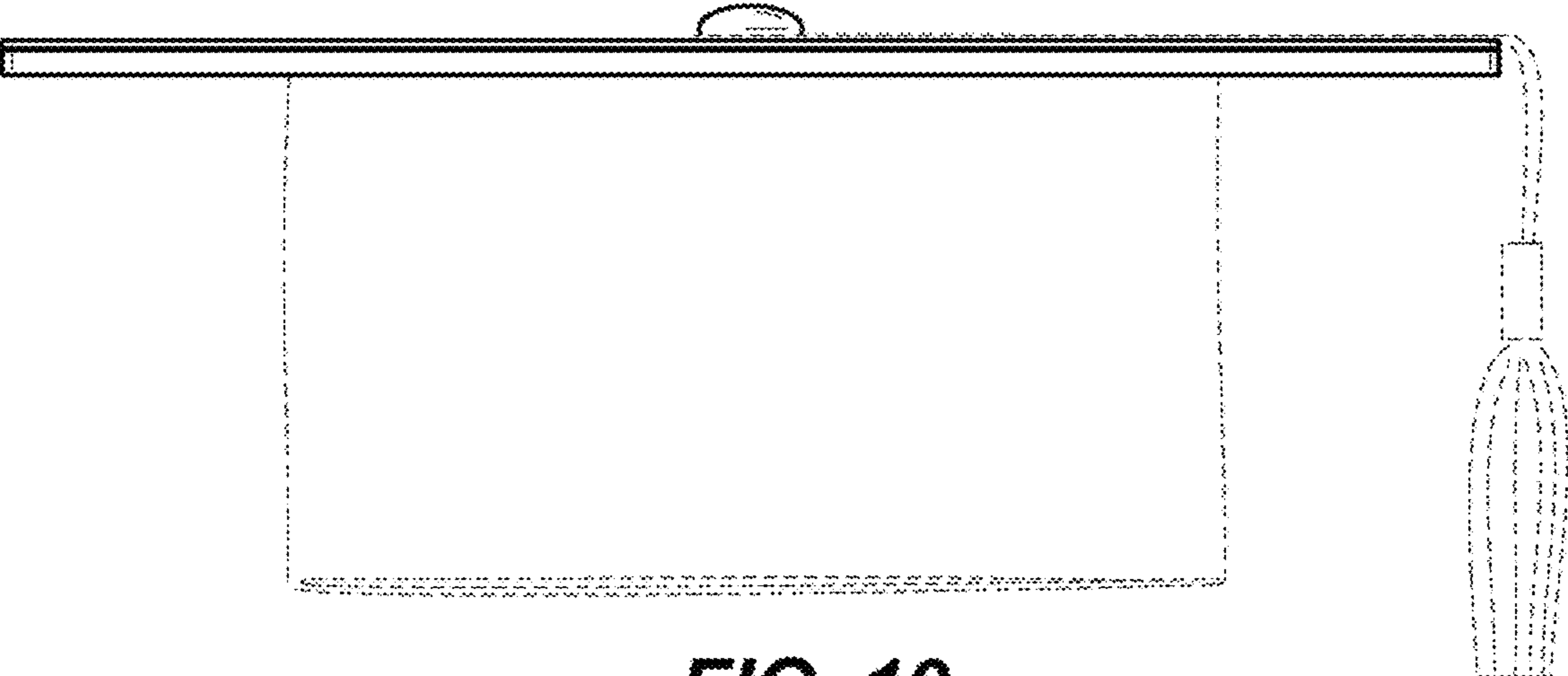
**FIG. 16**



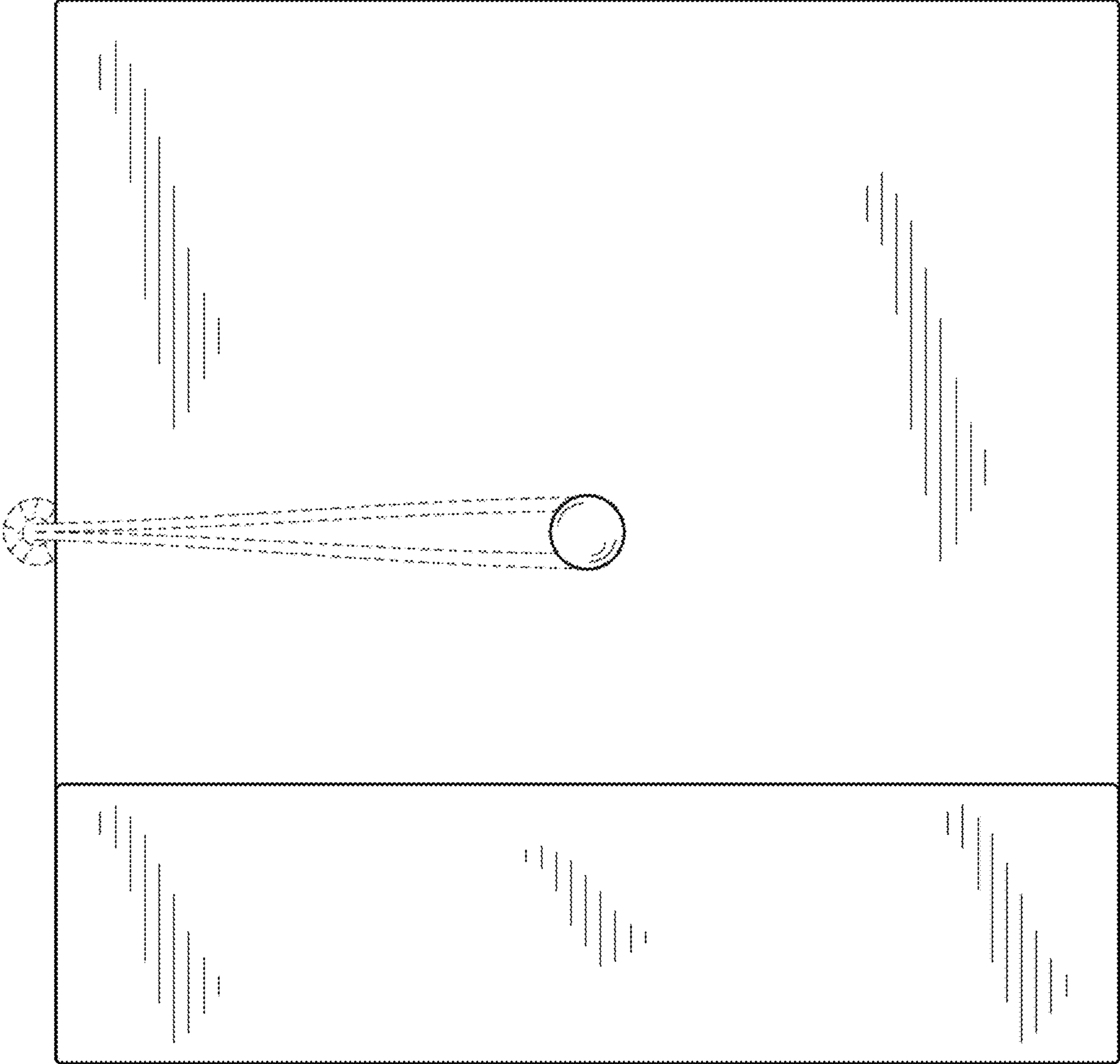
**FIG. 17**



**FIG. 18**

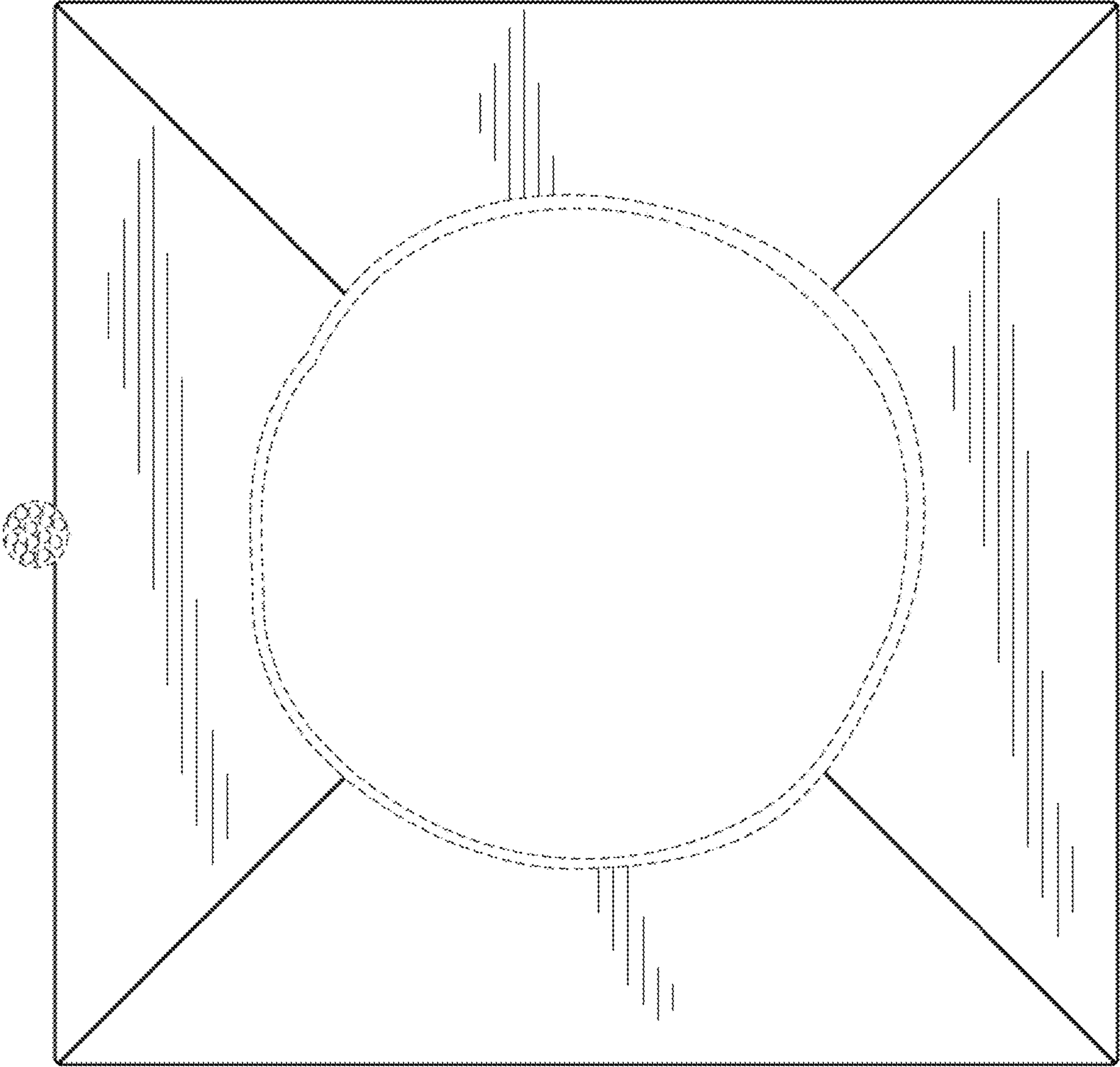


**FIG. 19**

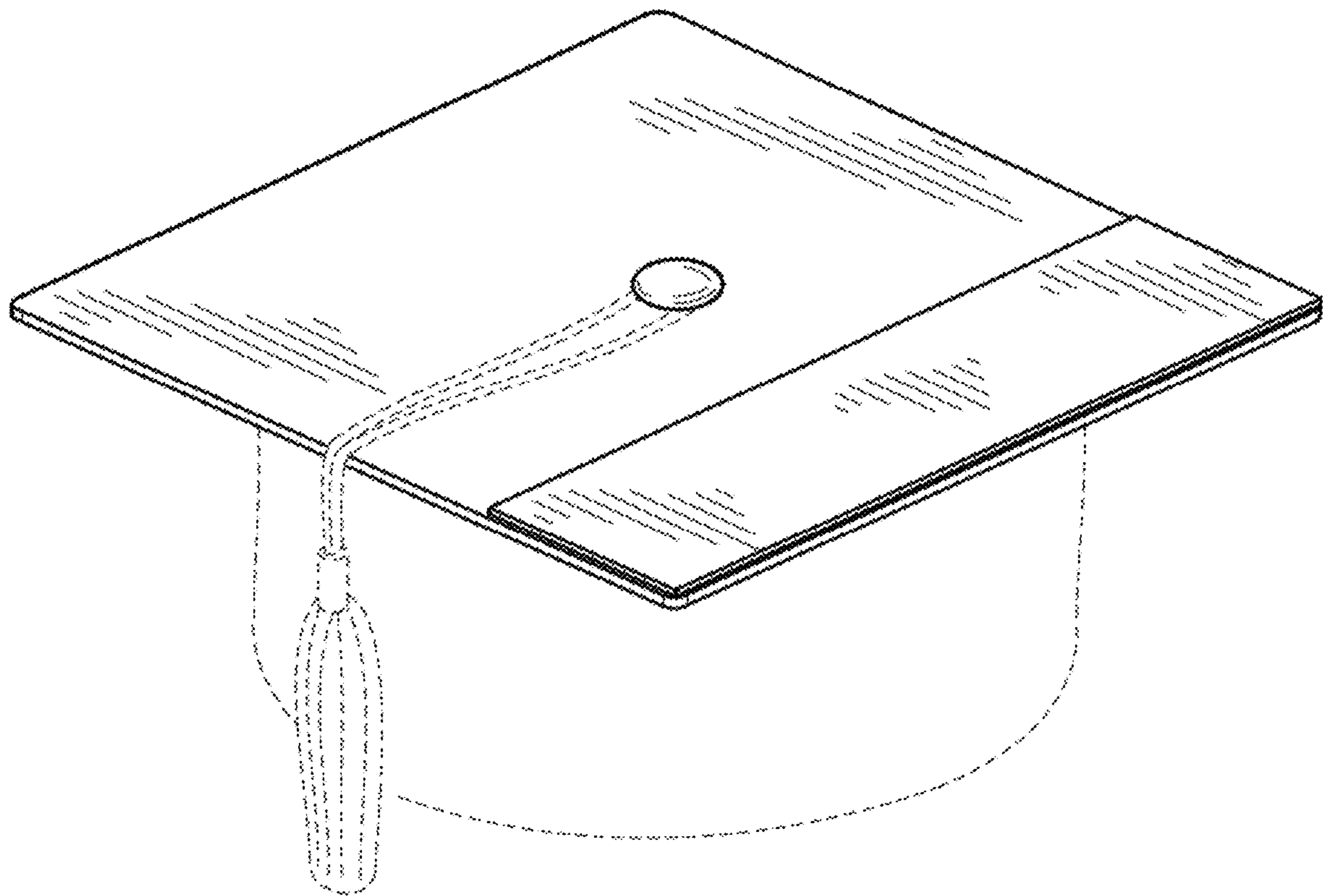


**FIG. 20**

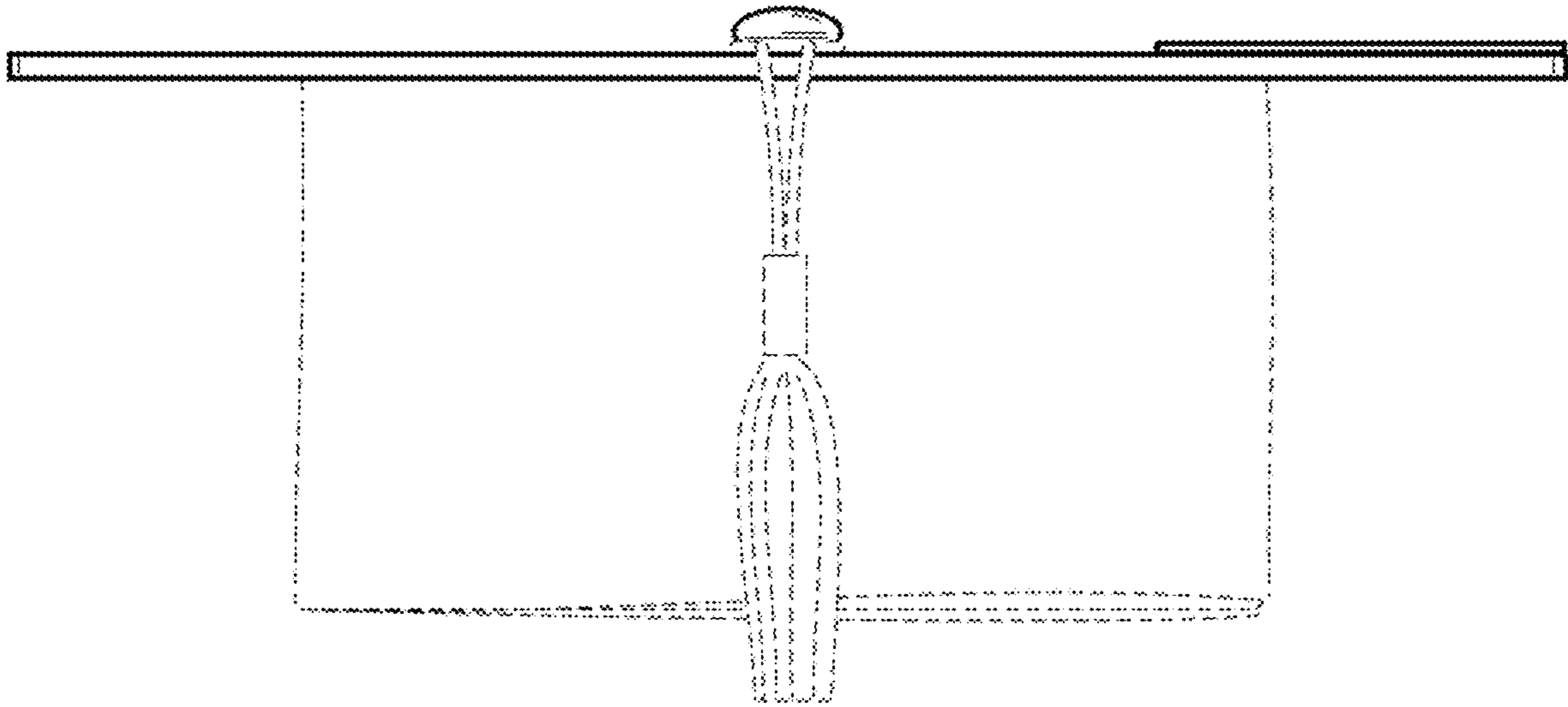




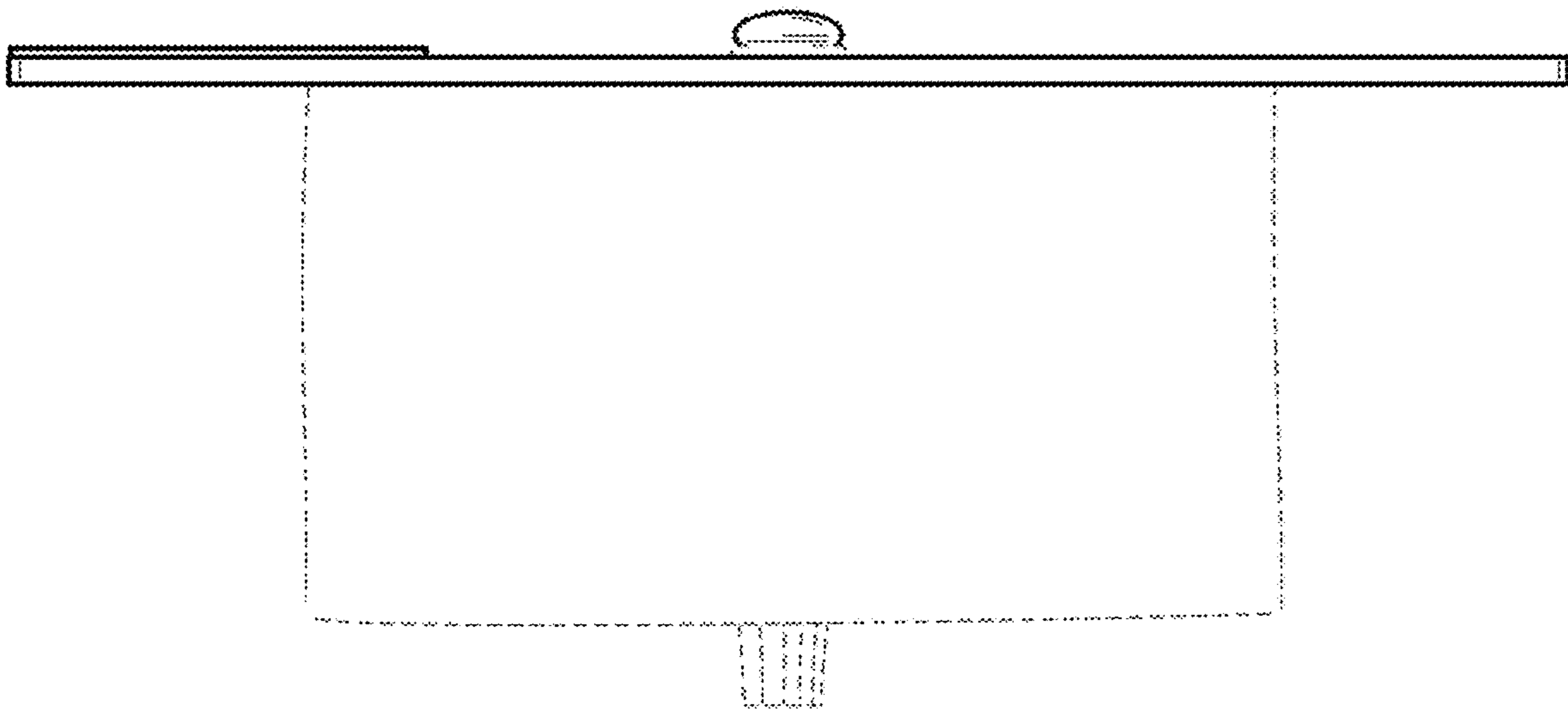
**FIG. 21**



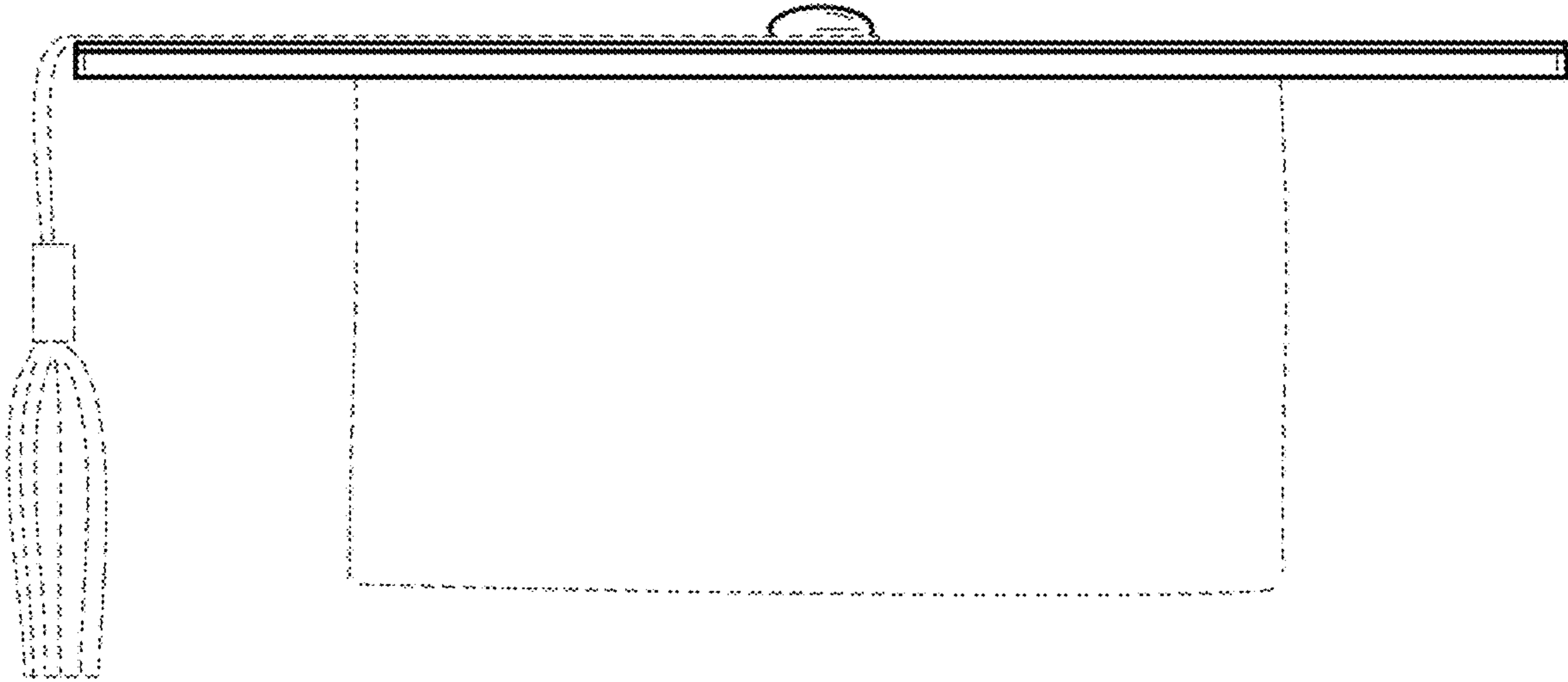
**FIG. 22**



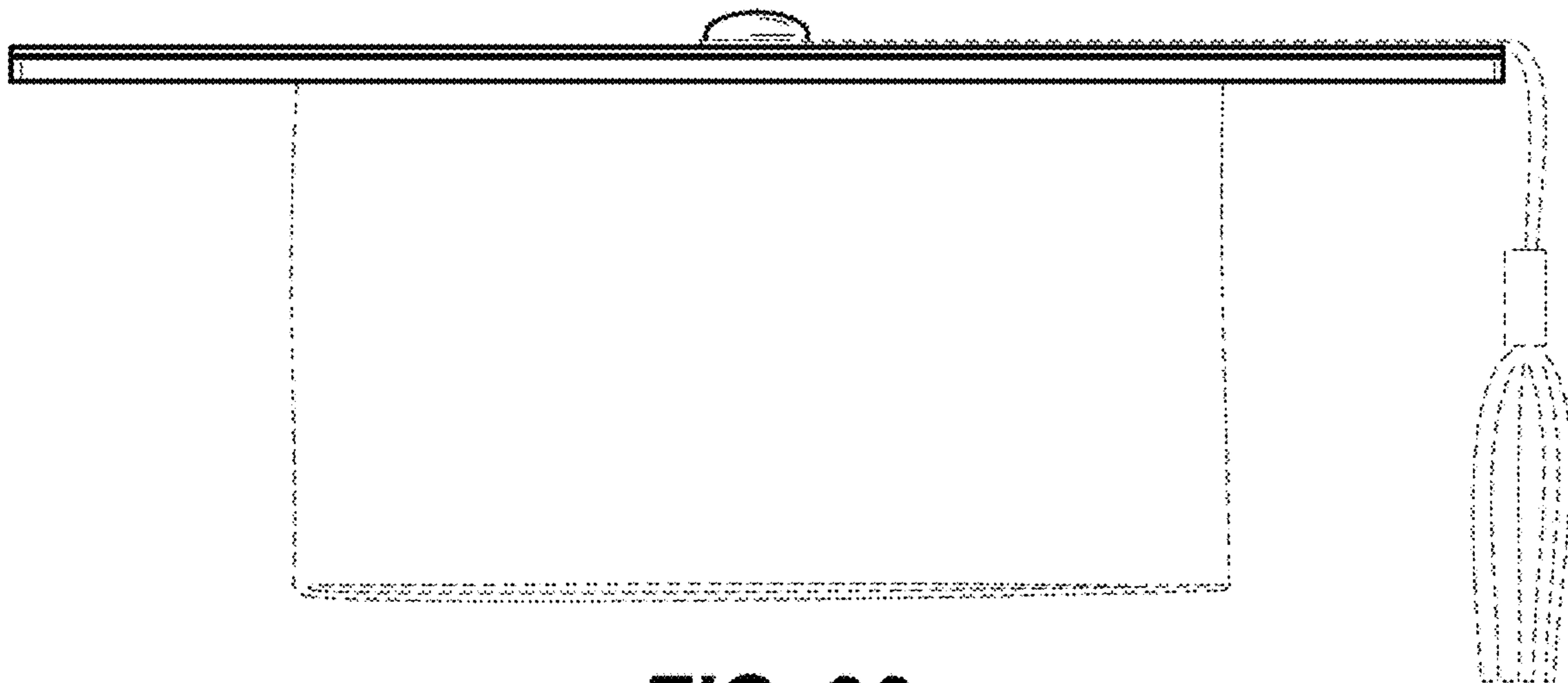
**FIG. 23**



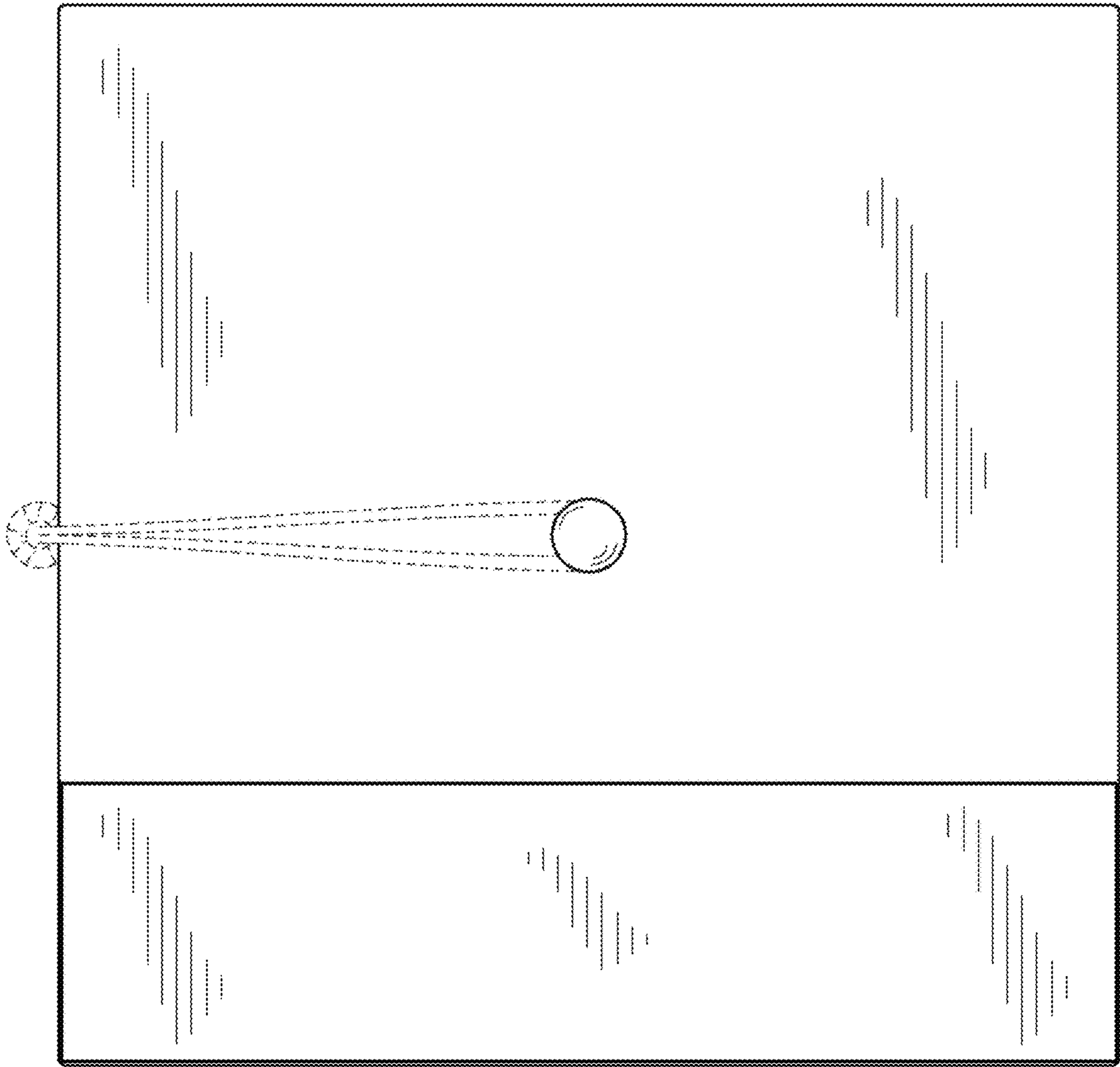
**FIG. 24**



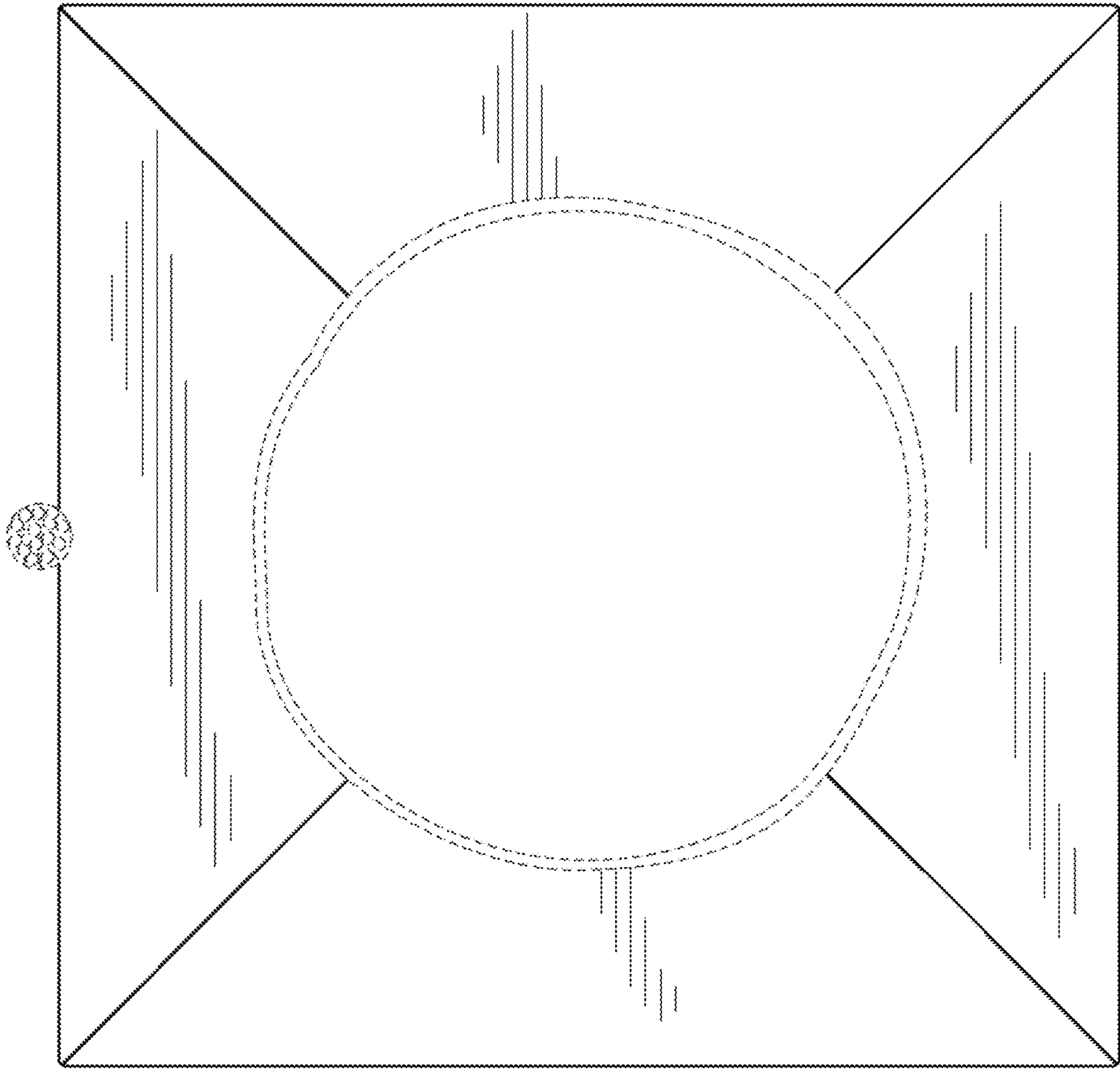
**FIG. 25**



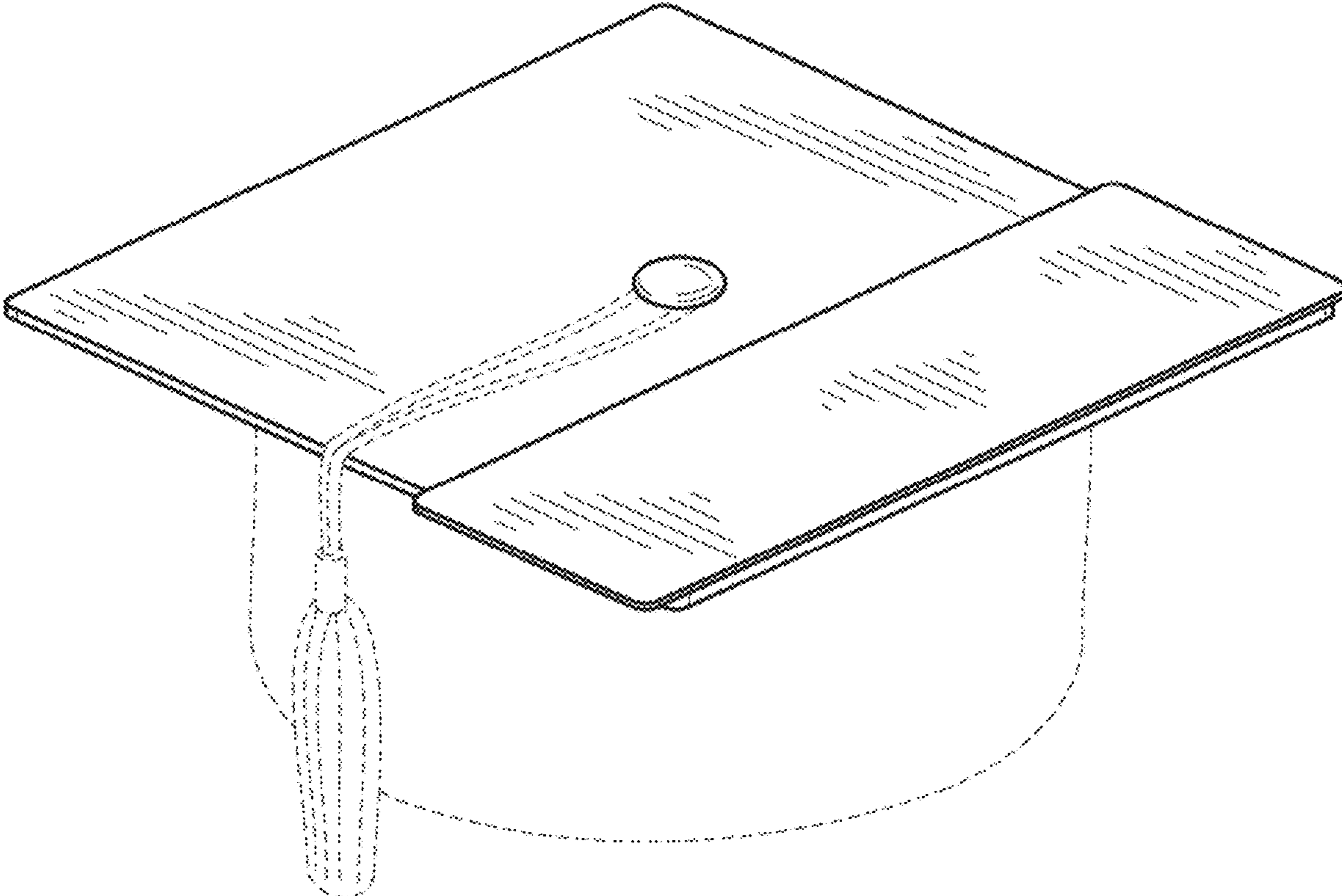
**FIG. 26**



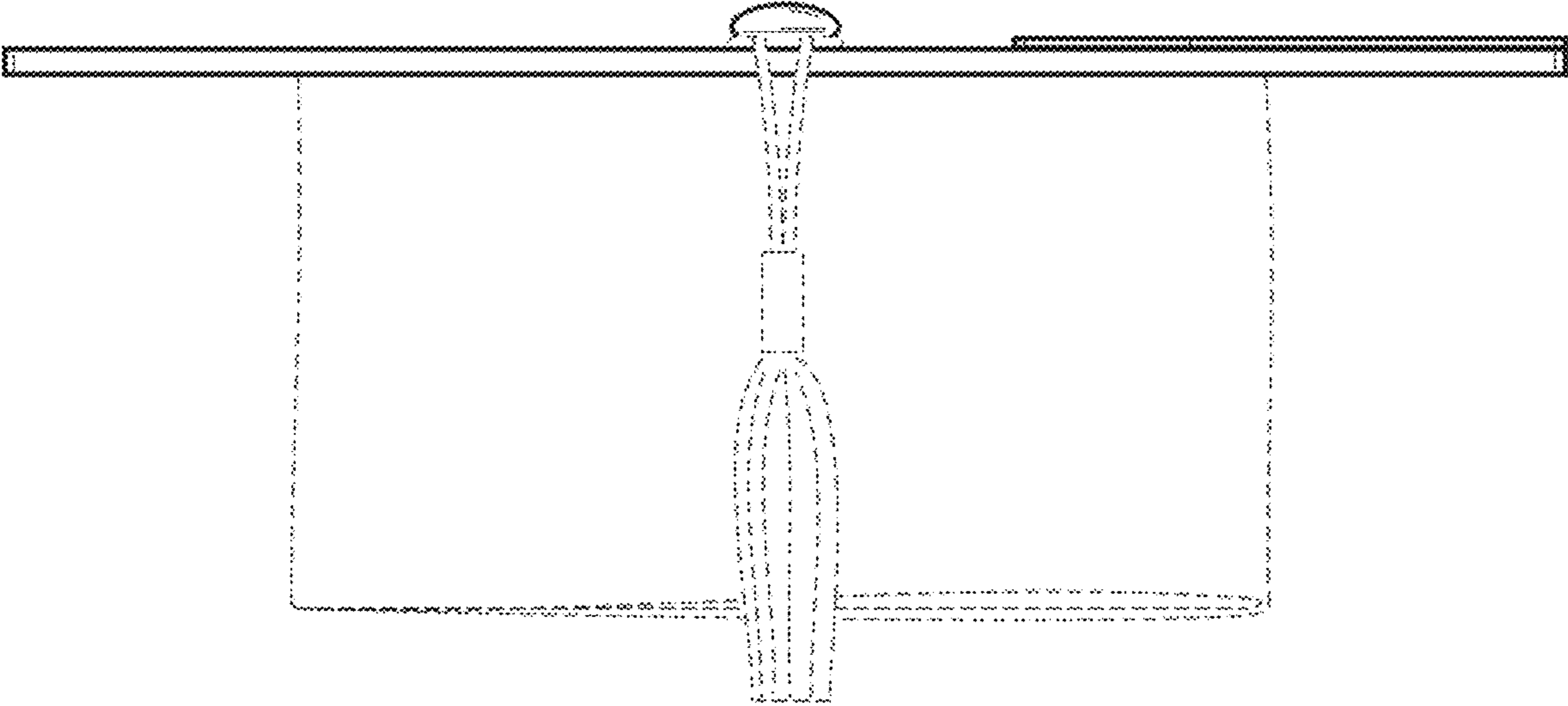
**FIG. 27**



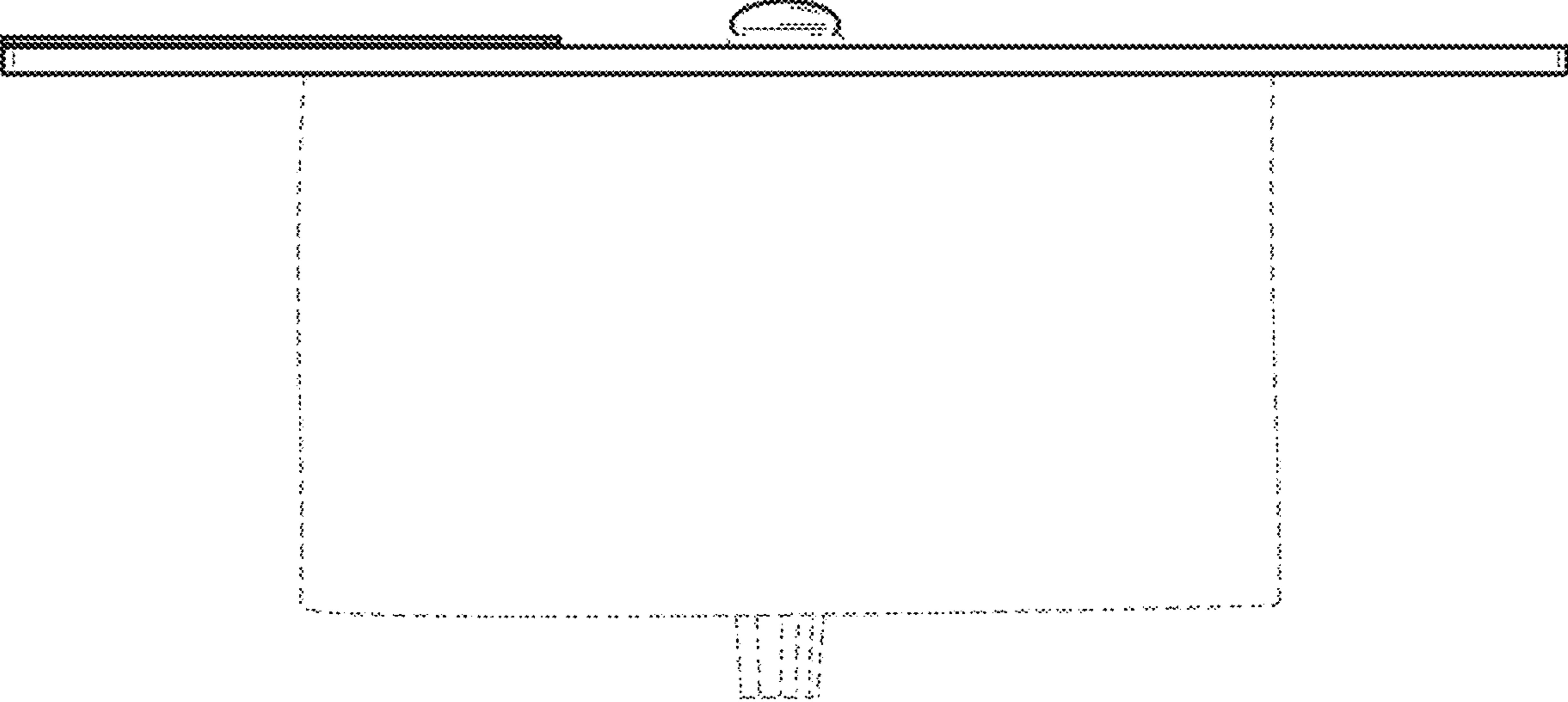
**FIG. 28**



**FIG. 29**

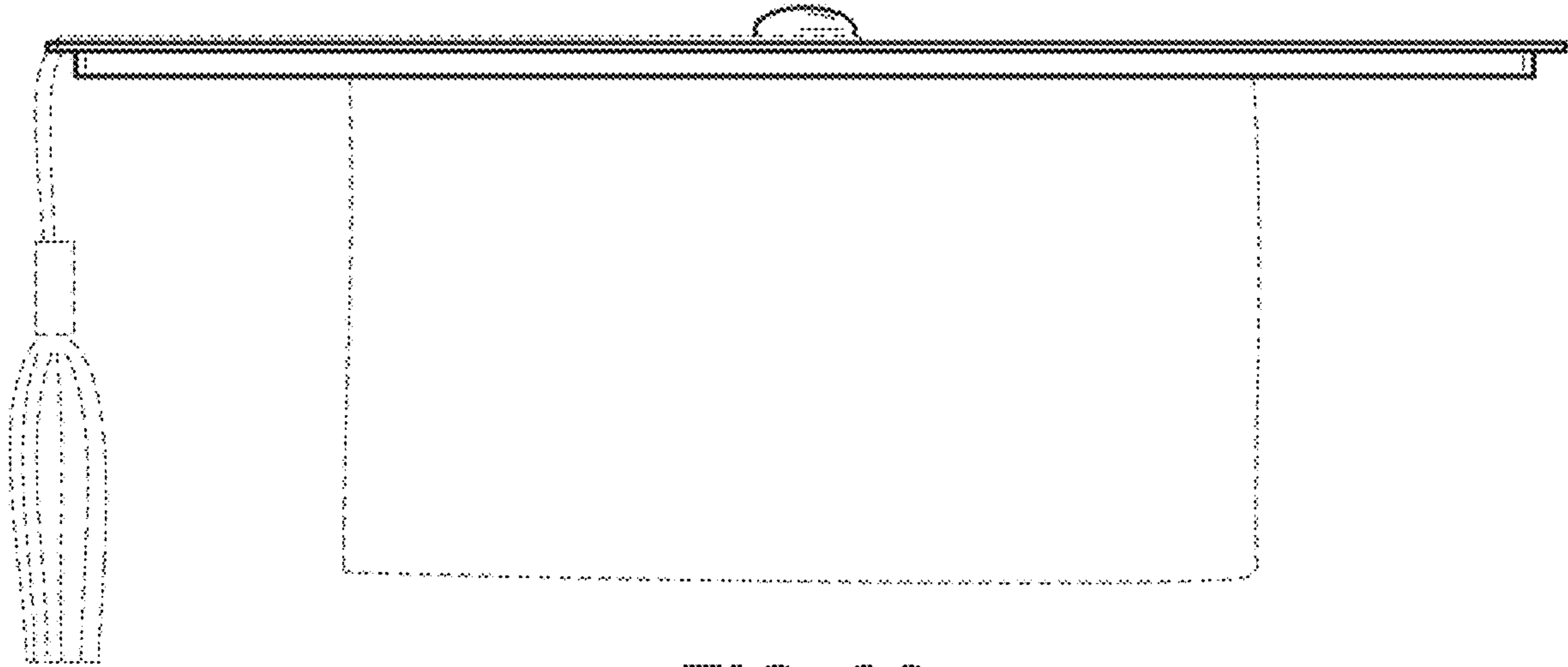


**FIG. 30**

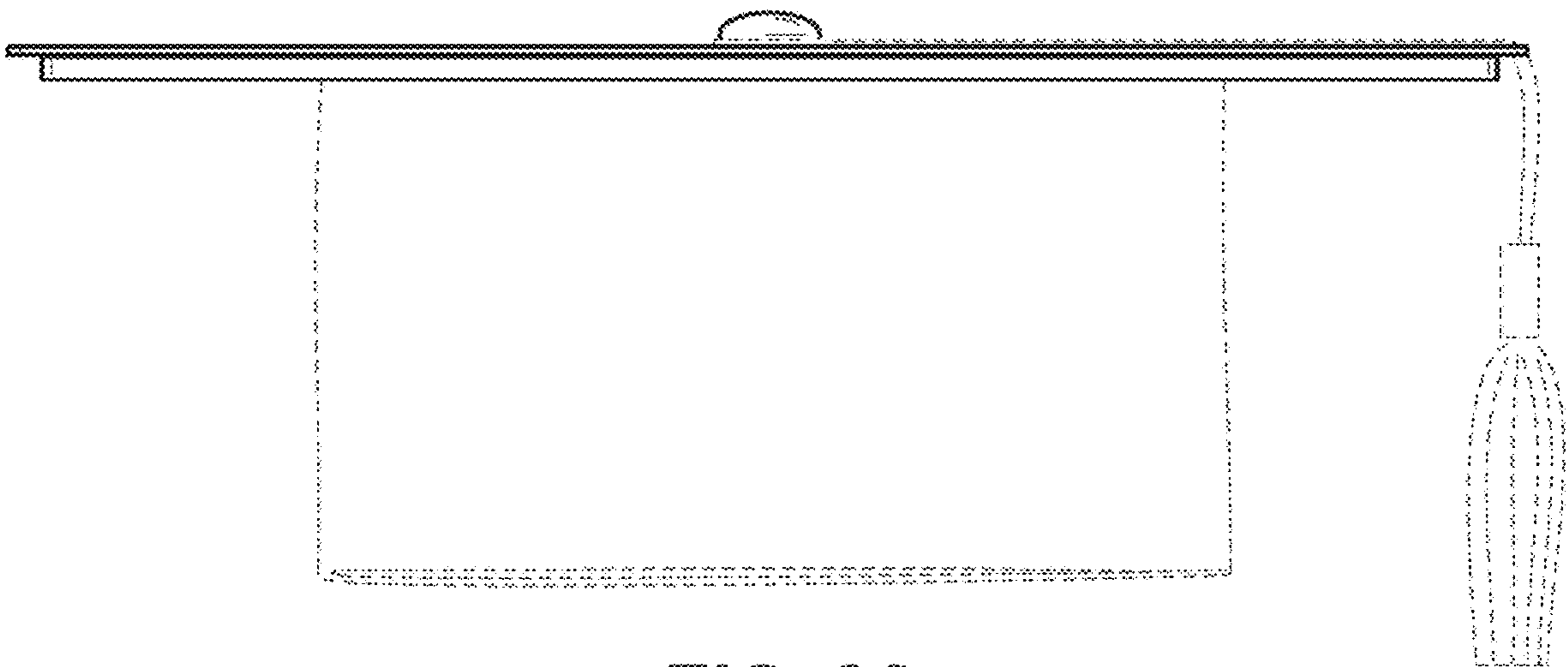


**FIG. 31**

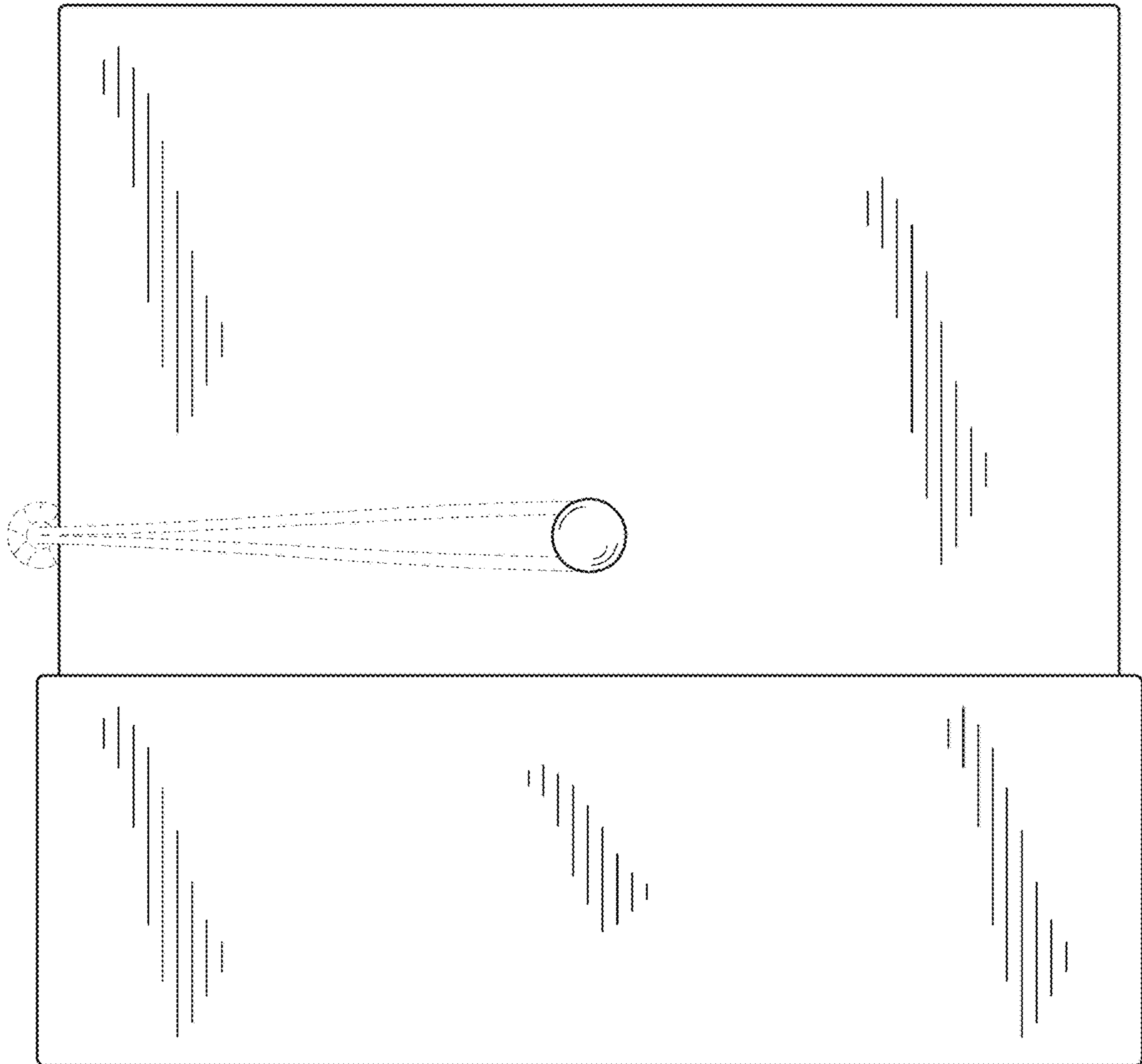




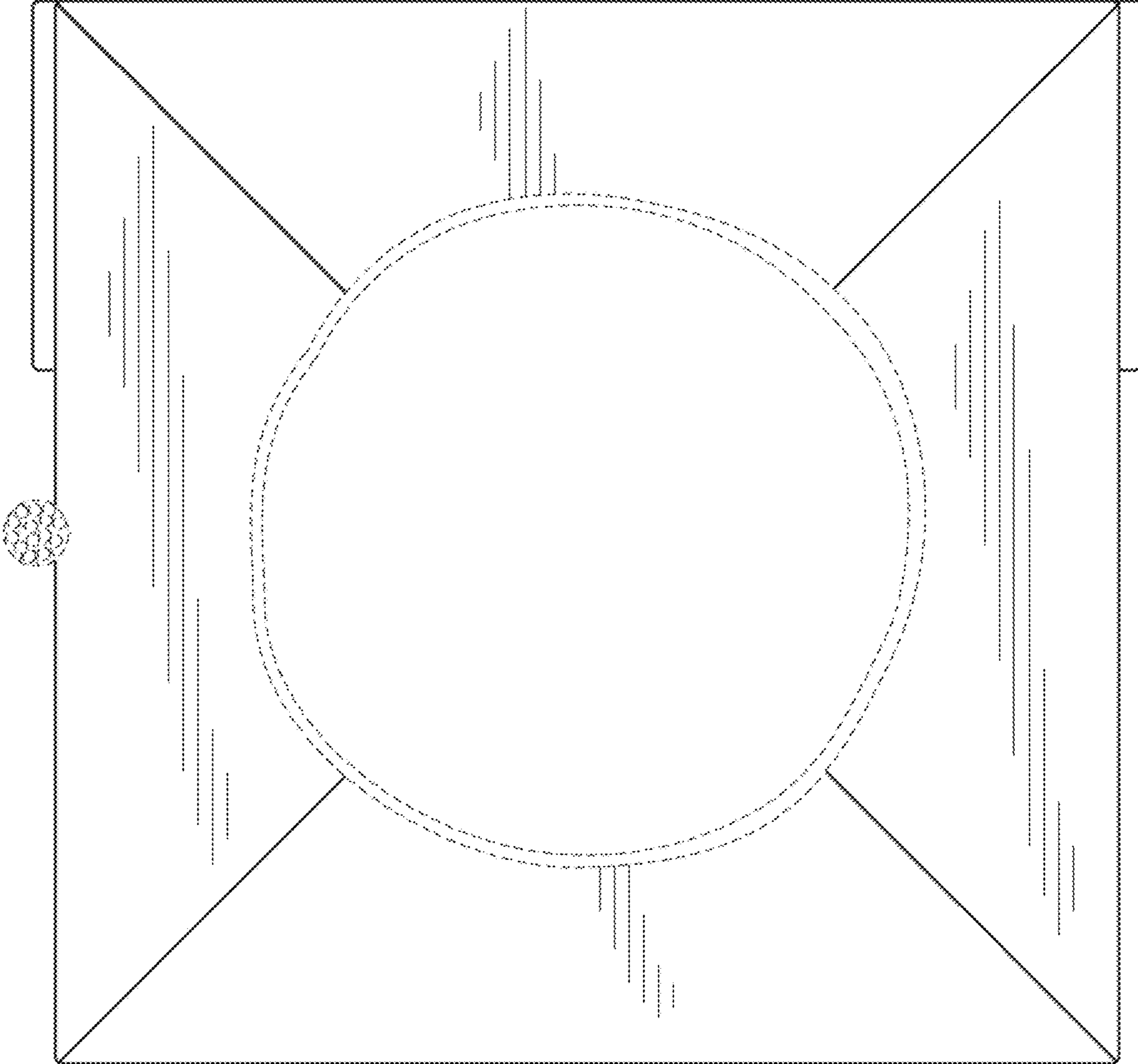
**FIG. 32**



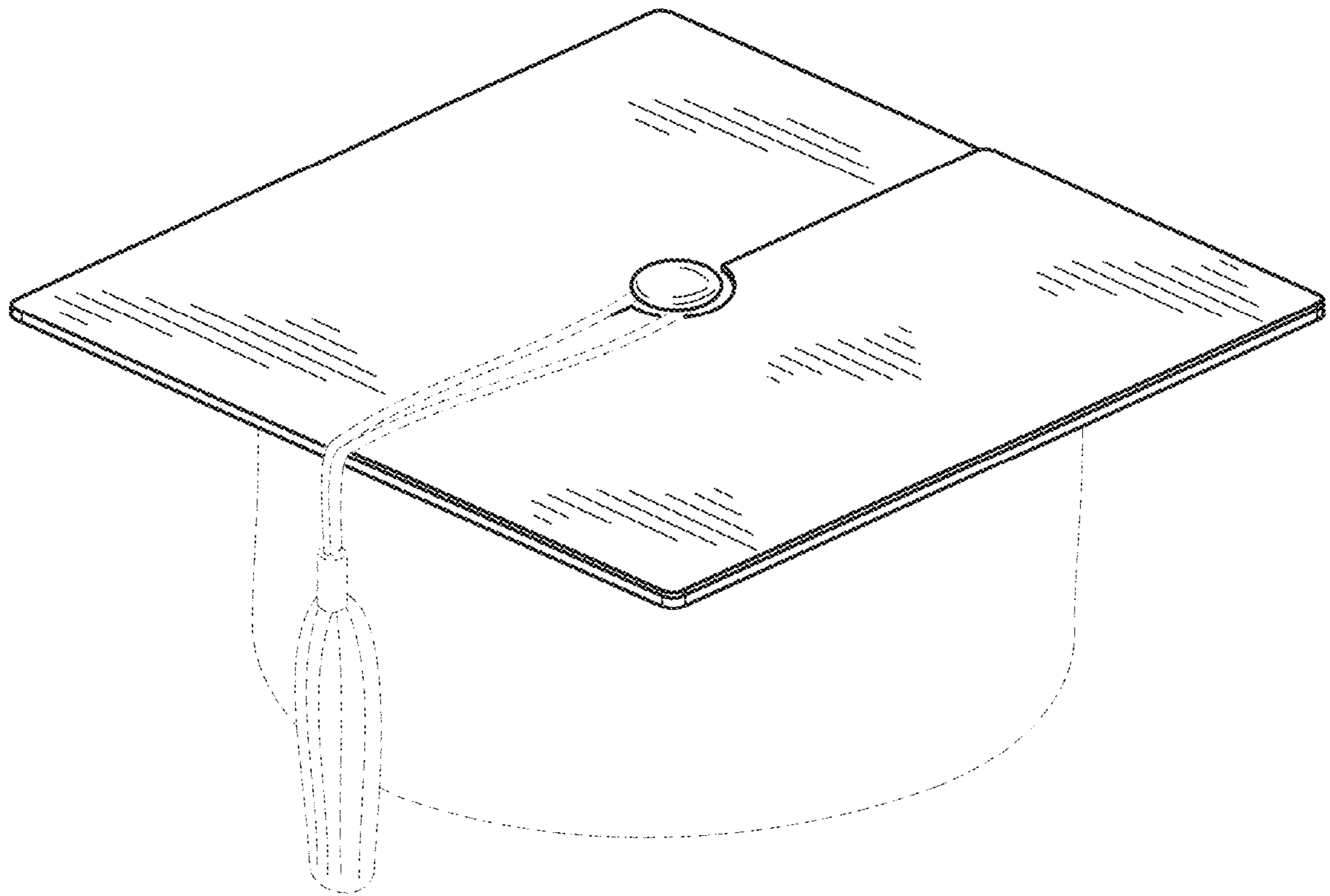
**FIG. 33**



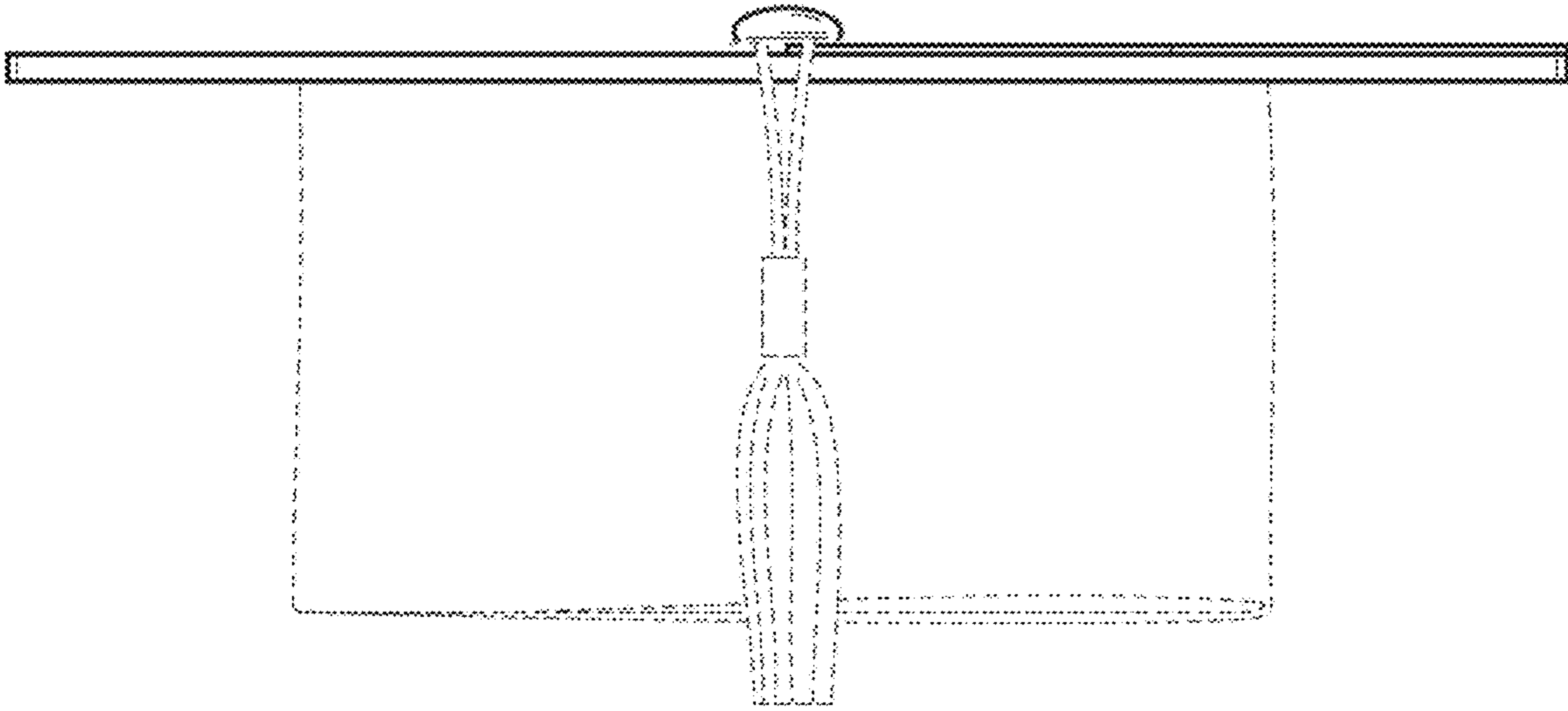
**FIG. 34**



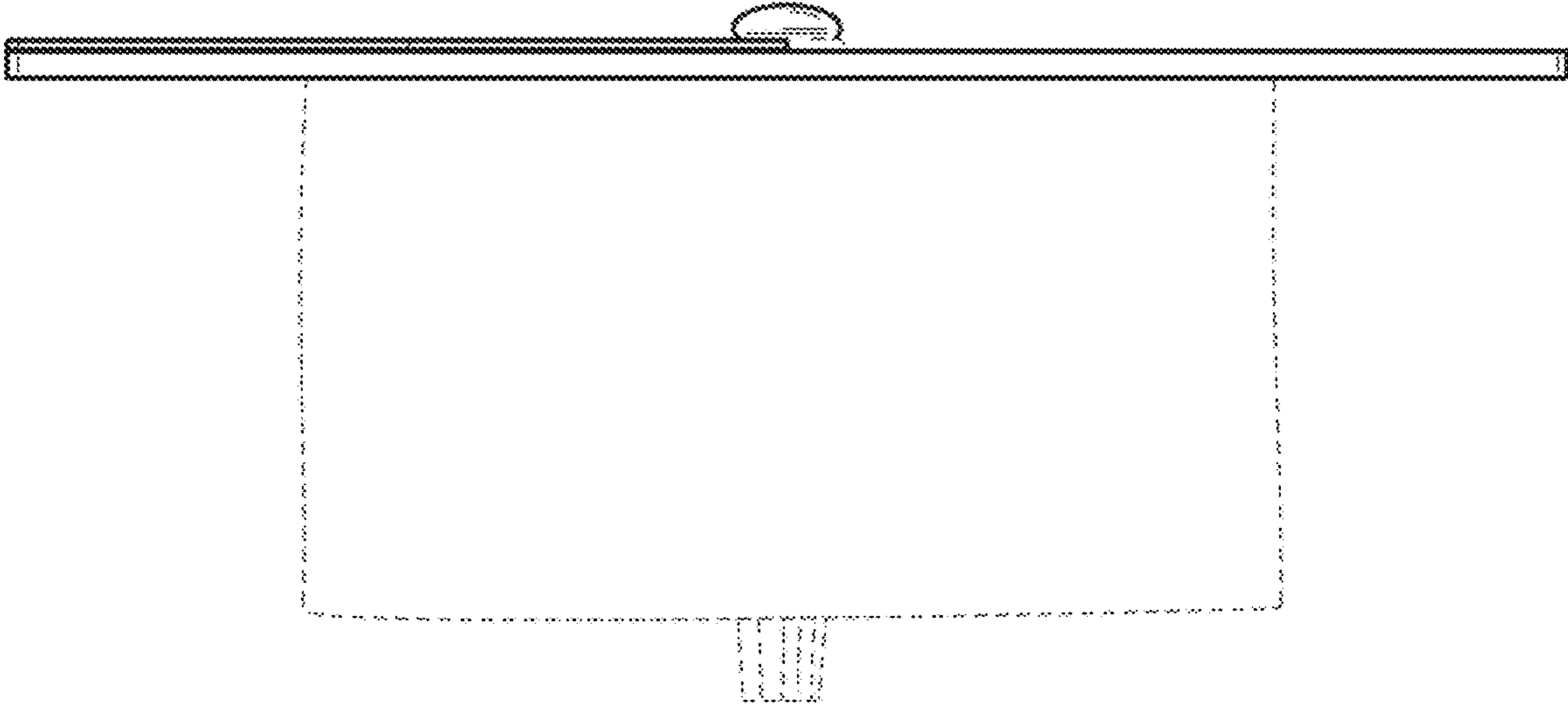
**FIG. 35**



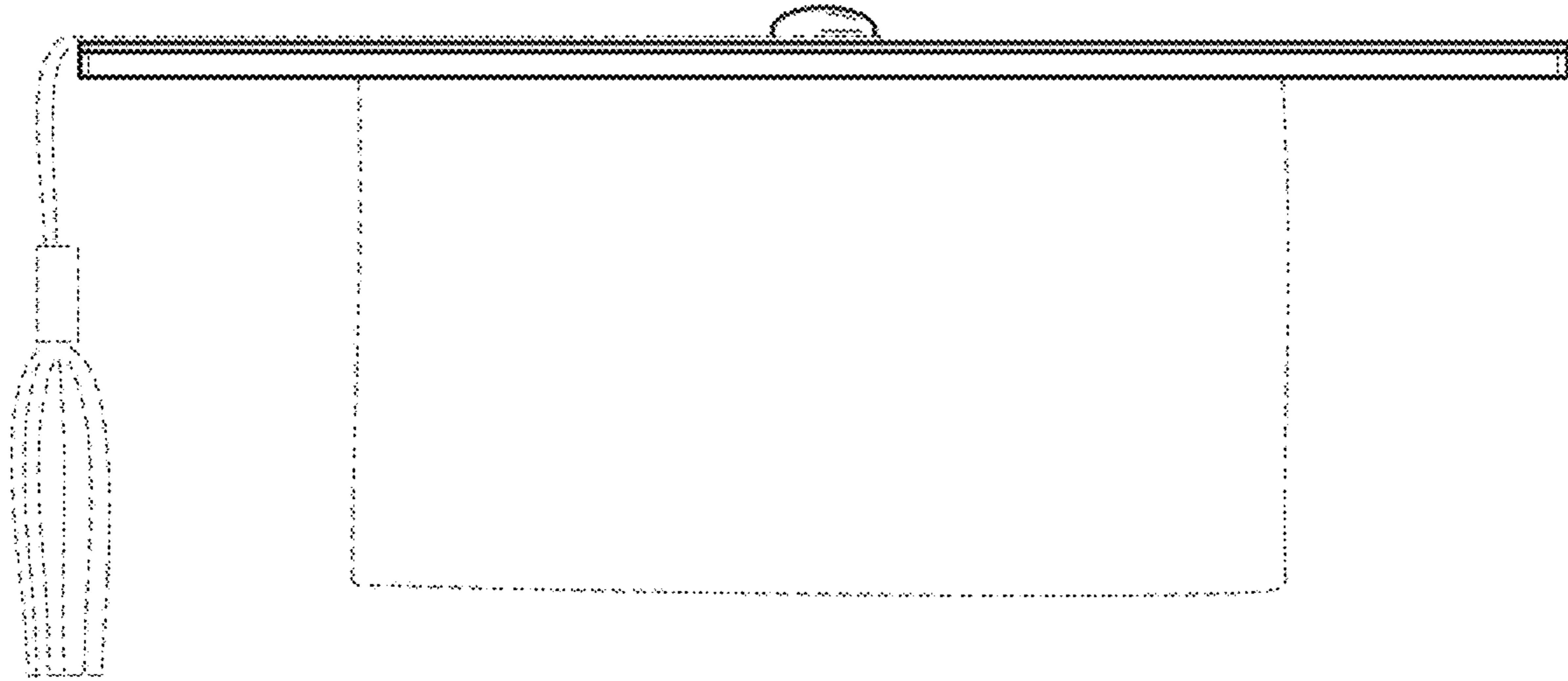
**FIG. 36**



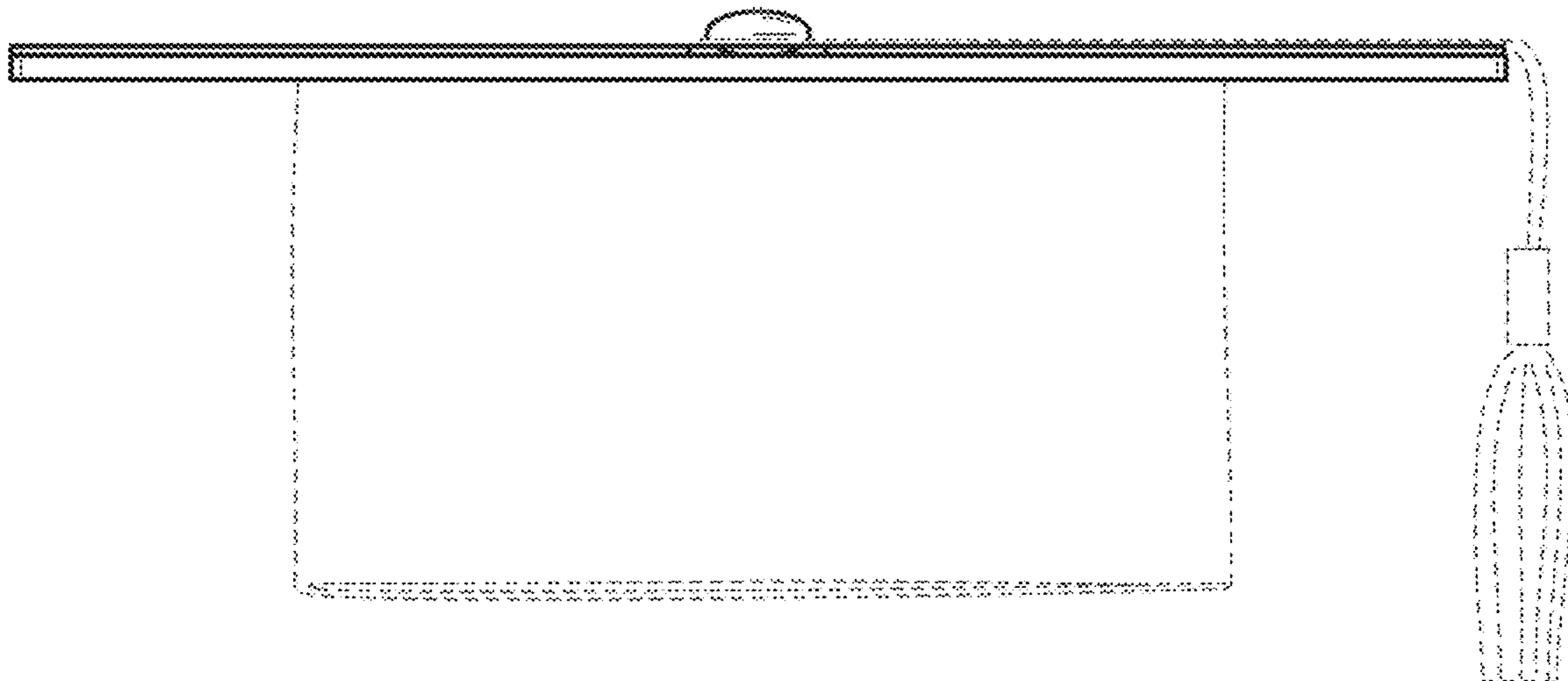
**FIG. 37**



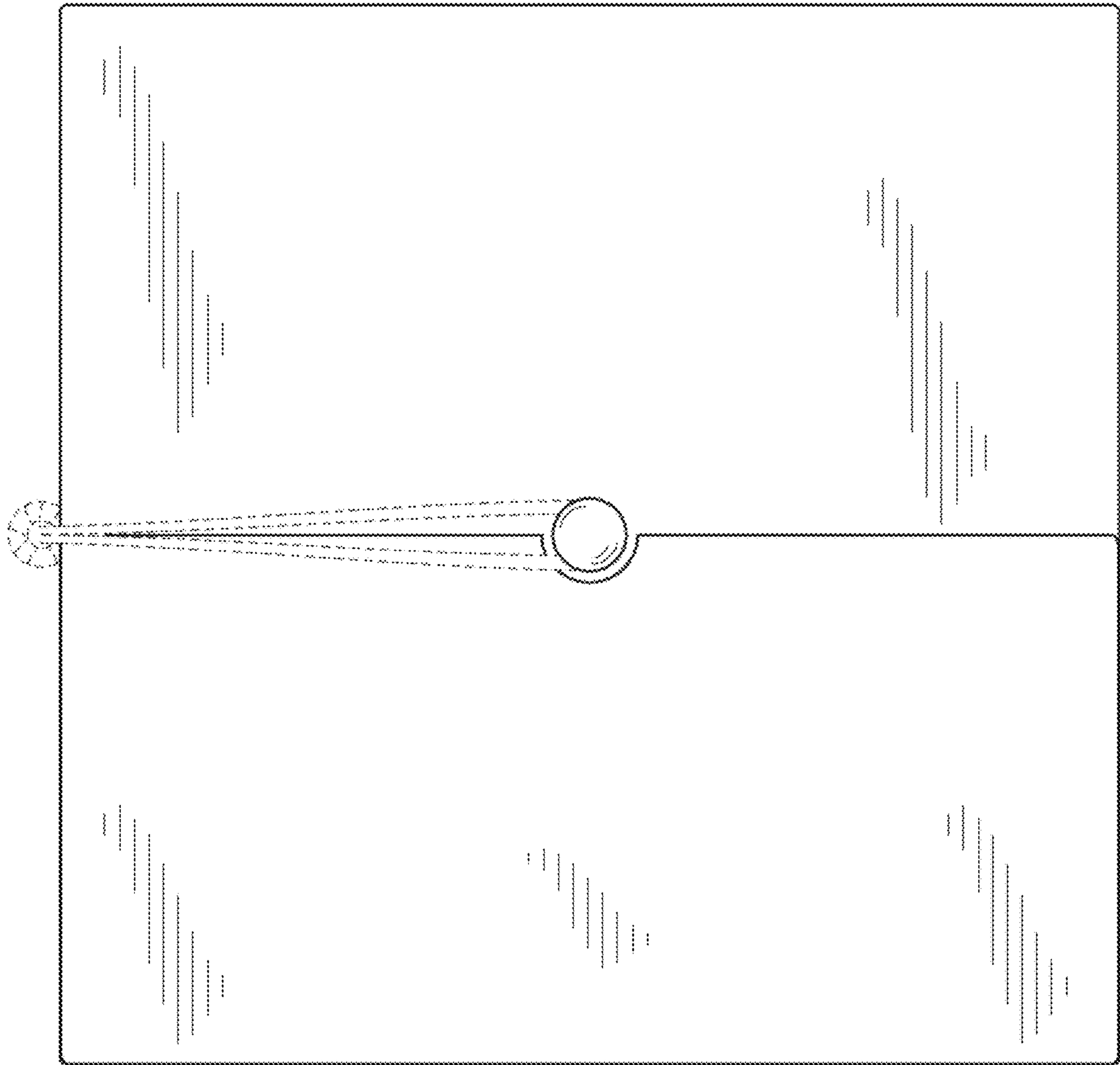
**FIG. 38**



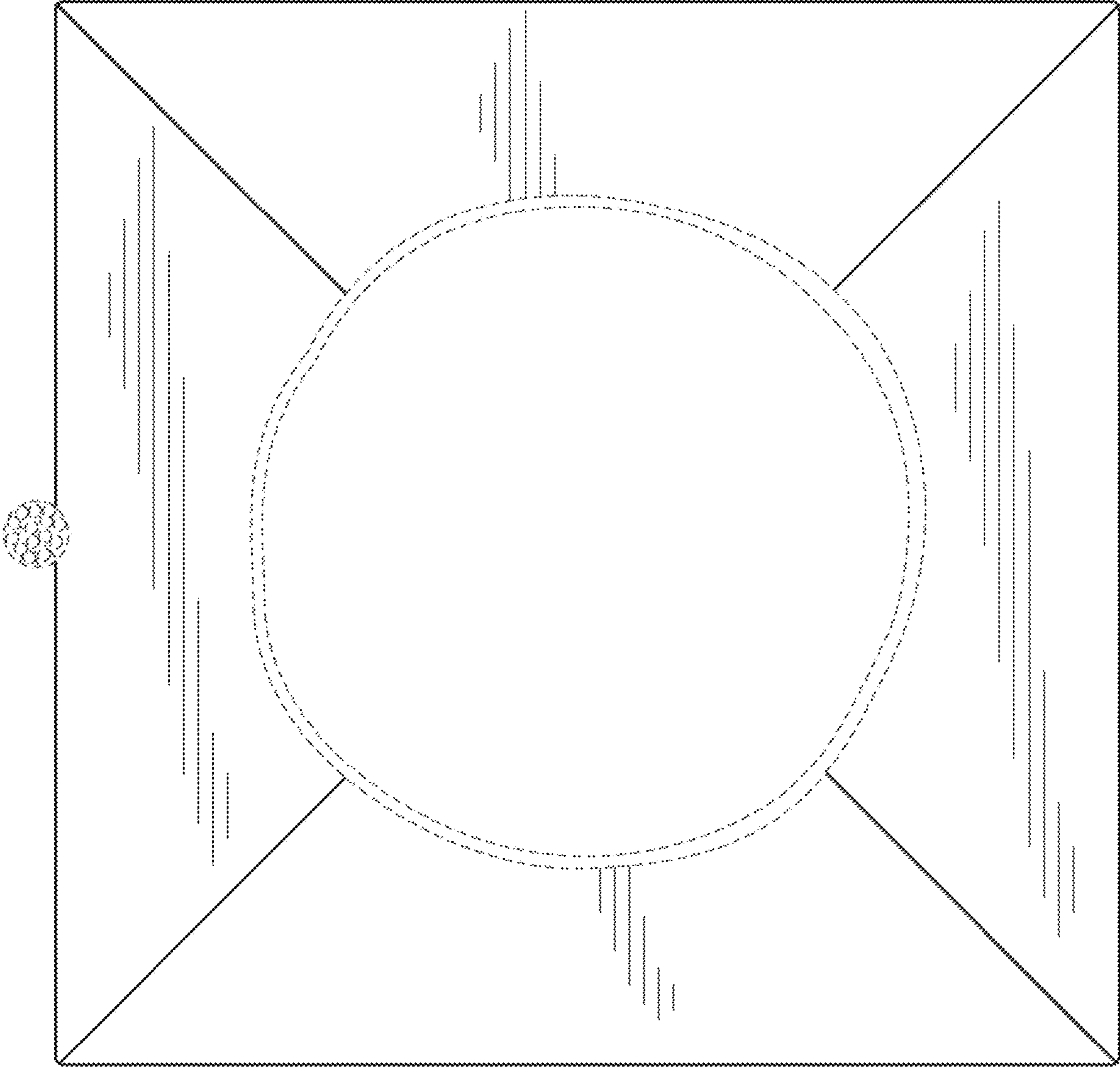
**FIG. 39**



**FIG. 40**



**FIG. 41**



**FIG. 42**