



US00D974699S

(12) **United States Design Patent** (10) **Patent No.:** **US D974,699 S**
Zhu (45) **Date of Patent:** **** Jan. 10, 2023**

(54) **GLOVE**

OTHER PUBLICATIONS

(71) Applicant: **Huabin Zhu**, Shenzhen (CN)

Greenever Rechargeable LED Flashlight Gloves, posted at amazon.com, posting date Dec. 2, 2020, [online], [site visited Sep. 15, 2022]. Available from Internet, URL: <https://www.amazon.com/dp/B09984VHHY/?th=1> (Year: 2020).*

(72) Inventor: **Huabin Zhu**, Shenzhen (CN)

LED Flashlight Gloves, posted at amazon.com, posting date Aug. 1, 2022, [online], [site visited Sep. 15, 2022]. Available from Internet, URL: <https://www.amazon.com/dp/B0B88ZRB1L/> (Year: 2022).*

(**) Term: **15 Years**

Moipejo Rechargeable LED Flashlight Gloves, posted at amazon.com, posting date Apr. 21, 2022, [online], [site visited Sep. 15, 2022]. Available from Internet, URL: <https://www.amazon.com/Rechargeable-Flashlight-Daughter-Hands-Free-Repairing/dp/B09YGG66K3/> (Year: 2022).*

(21) Appl. No.: **29/840,509**

(22) Filed: **May 30, 2022**

(51) **LOC (14) Cl.** **02-06**

(52) **U.S. Cl.**
USPC **D2/617; D29/113**

(Continued)

(58) **Field of Classification Search**
USPC D2/617-619, 621, 623; D29/113, 115, D29/116.2, 117.1, 117.2, 118, 119, 120.1
CPC . A63B 71/146; A63B 2209/10; A63B 71/143; A63B 71/148; A63B 71/141; A41D 19/0006; A41D 19/015

Primary Examiner — Maria J. Edwards
(74) *Attorney, Agent, or Firm* — Jeenam Park

See application file for complete search history.

(57) **CLAIM**
The ornamental design for a glove, as shown and described.

DESCRIPTION

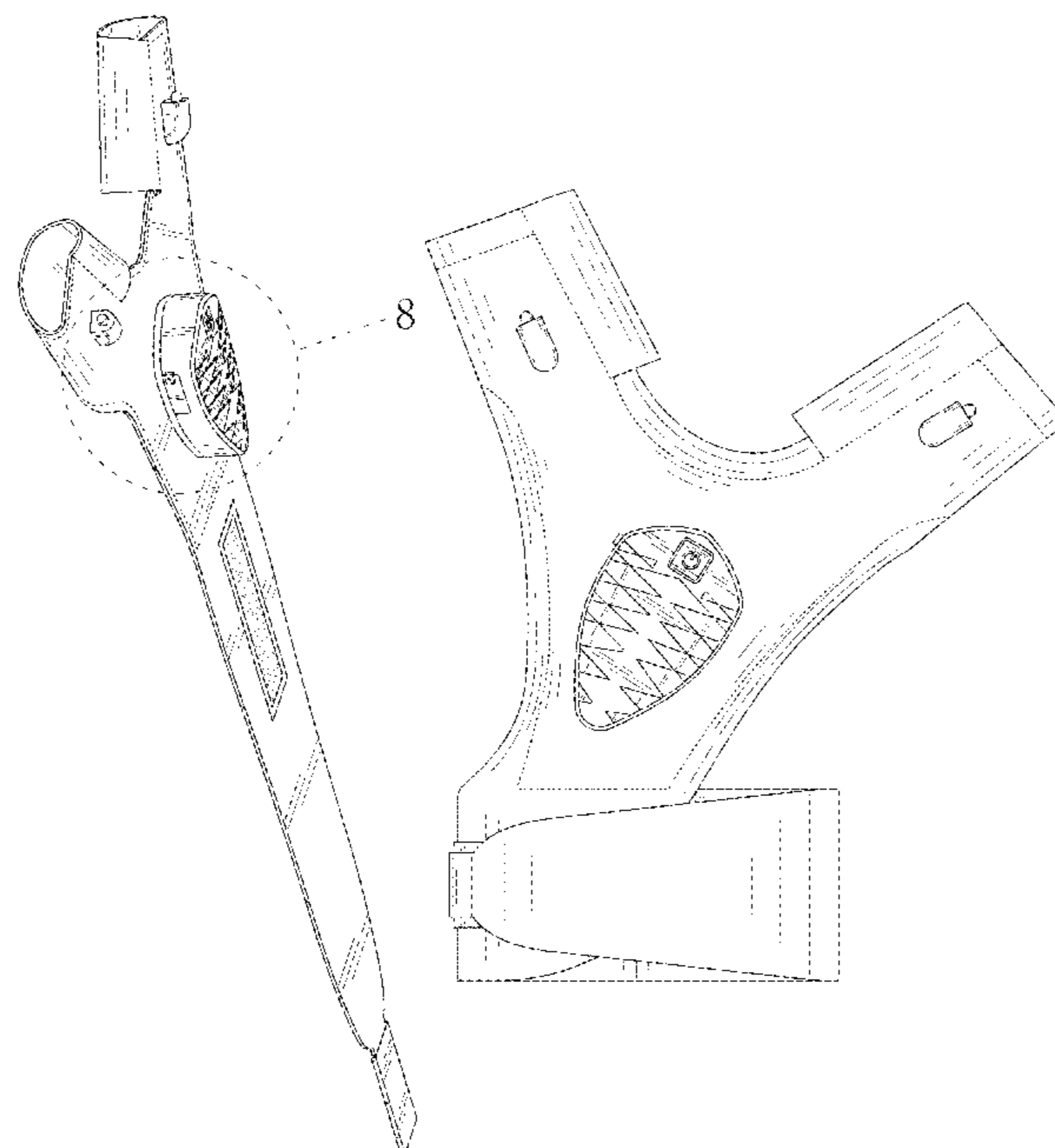
(56) **References Cited**

FIG. 1 is a perspective view of a glove, showing my new design;
FIG. 2 is a front view thereof;
FIG. 3 is a rear view thereof;
FIG. 4 is a left side view thereof;
FIG. 5 is a right side view thereof;
FIG. 6 is a top plan view thereof;
FIG. 7 is a bottom plan view thereof;
FIG. 8 is an enlarged view of portion 8 in FIG. 1; and,
FIG. 9 is a perspective view in the use configuration.
The smaller-scale broken lines illustrate portions of the glove and form no part of the claimed design. The larger scale broken lines identify enlarged view areas and form no part of the claimed design.

U.S. PATENT DOCUMENTS

4,894,866	A *	1/1990	Walker	A41D 19/01547
					2/910
D412,048	S *	7/1999	Schiazza	D2/610
D434,192	S *	11/2000	Warrior	D29/113
6,209,137	B1 *	4/2001	Wallick	A41D 13/087
					2/163
D516,753	S *	3/2006	Grissom	D29/113
D524,489	S *	7/2006	Scott	D29/113
D533,314	S *	12/2006	Schiazza	D29/113
D603,581	S *	11/2009	Rimando	D2/617
D610,776	S *	3/2010	Walker	
D812,818	S *	3/2018	Owney	D29/113
D831,929	S *	10/2018	Duarte	
D880,780	S *	4/2020	Jarvis	D29/117.1

1 Claim, 9 Drawing Sheets



(56)

References Cited

OTHER PUBLICATIONS

Outlite Rechargeable Led Flashlight Gloves, posted at amazon.com, posting date Jul. 13, 2022, [online], [site visited Sep. 15, 2022]. Available from Internet, URL: <https://www.amazon.com/Rechargeable-Flashlight-Birthday-Daughter-Repairing/dp/B0B6F1BW7R?th=1> (Year: 2022).*

ThxToms Rechargeable LED Flashlight Gloves, posted at amazon.com, posting date Jul. 17, 2021, [online], [site visited Sep. 15, 2022]. Available from Internet, URL: <https://www.amazon.com/dp/B099PKNHSW/?th=1> (Year: 2021).*

* cited by examiner

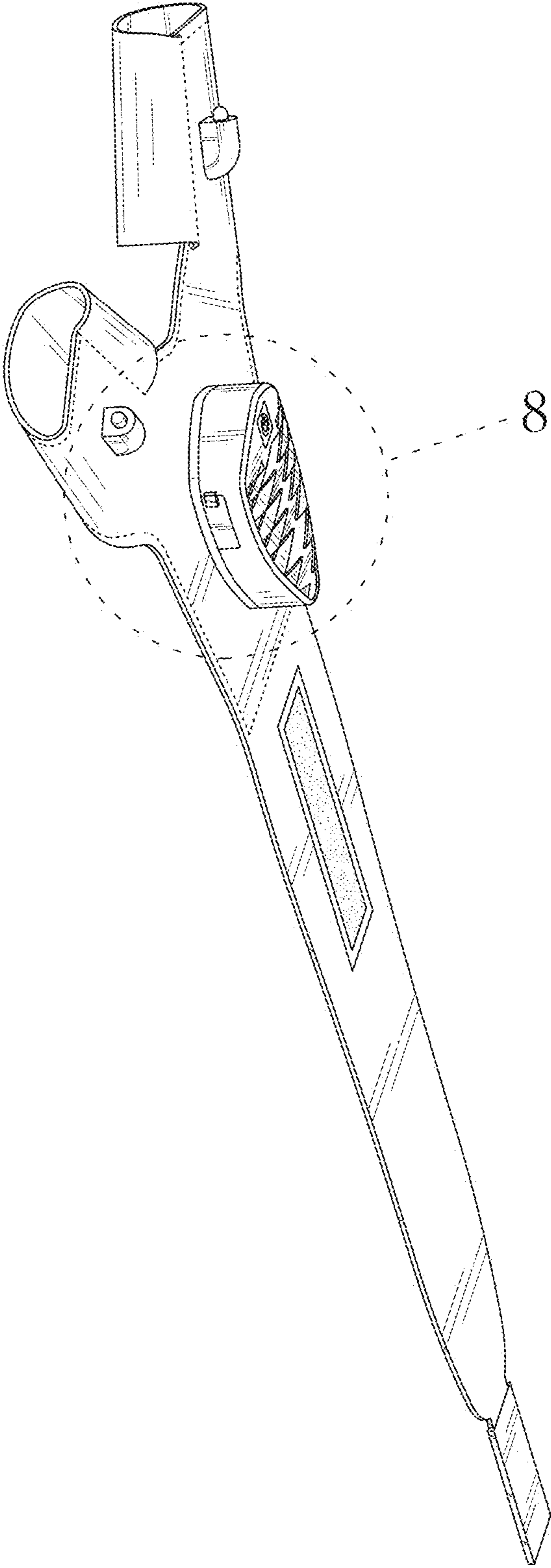


FIG. 1

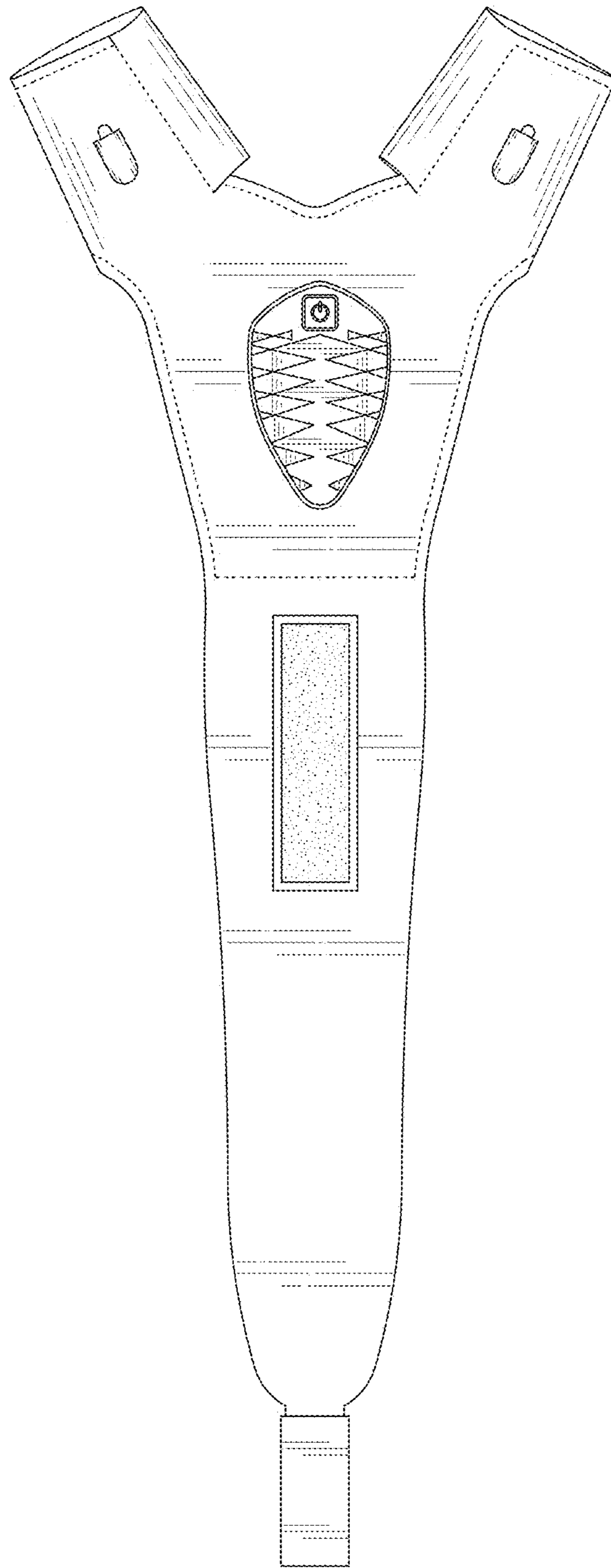


FIG.2

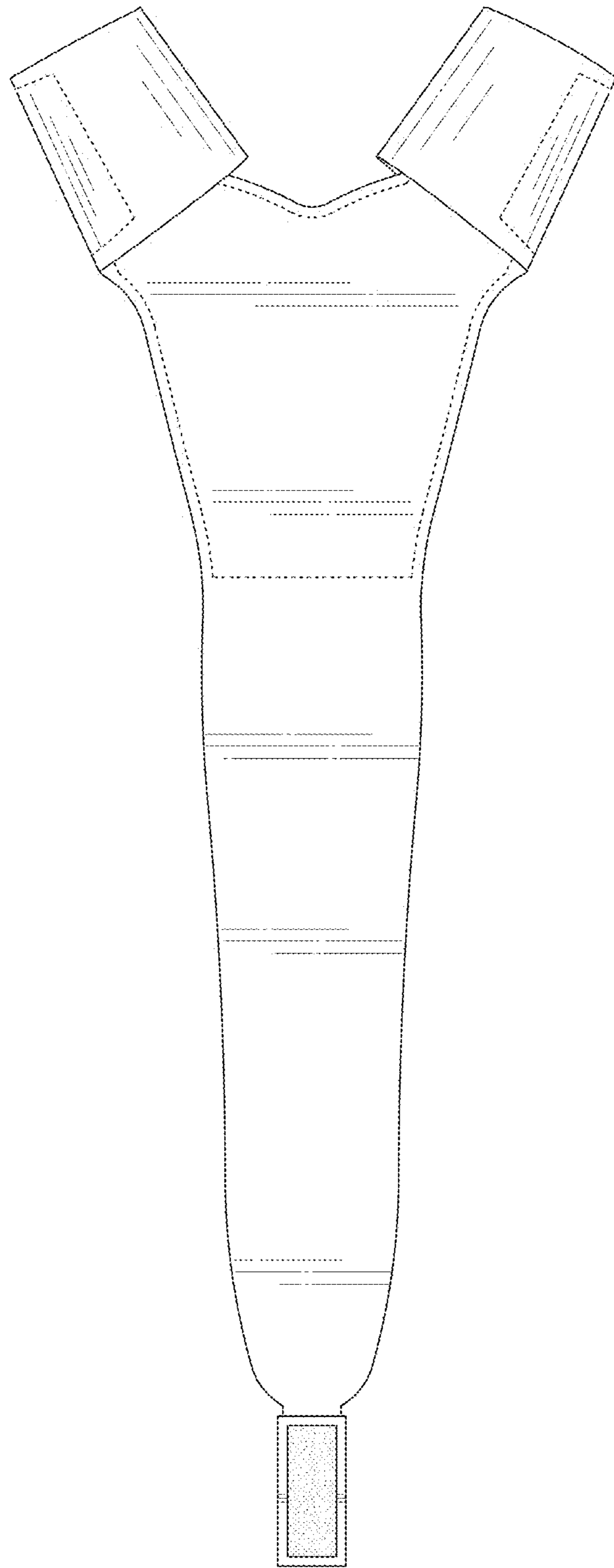


FIG.3

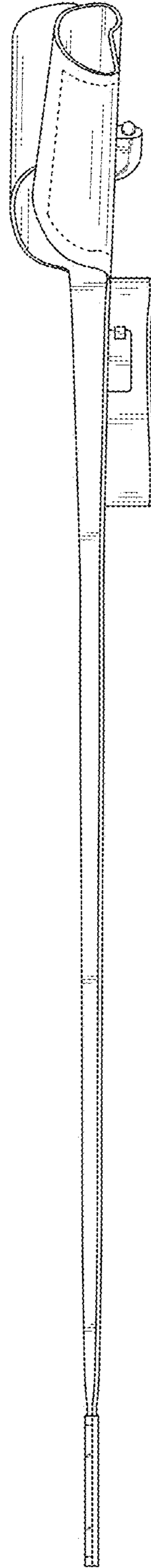


FIG. 4

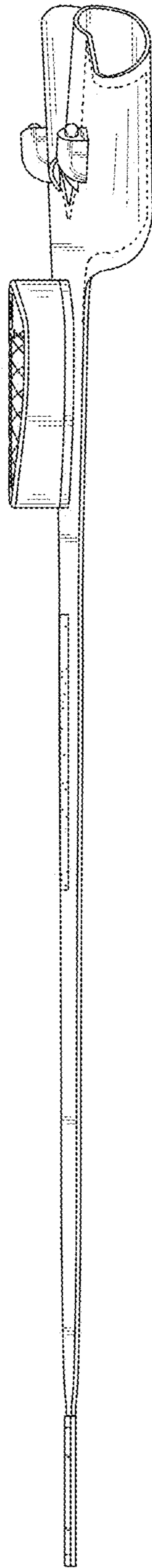


FIG.5

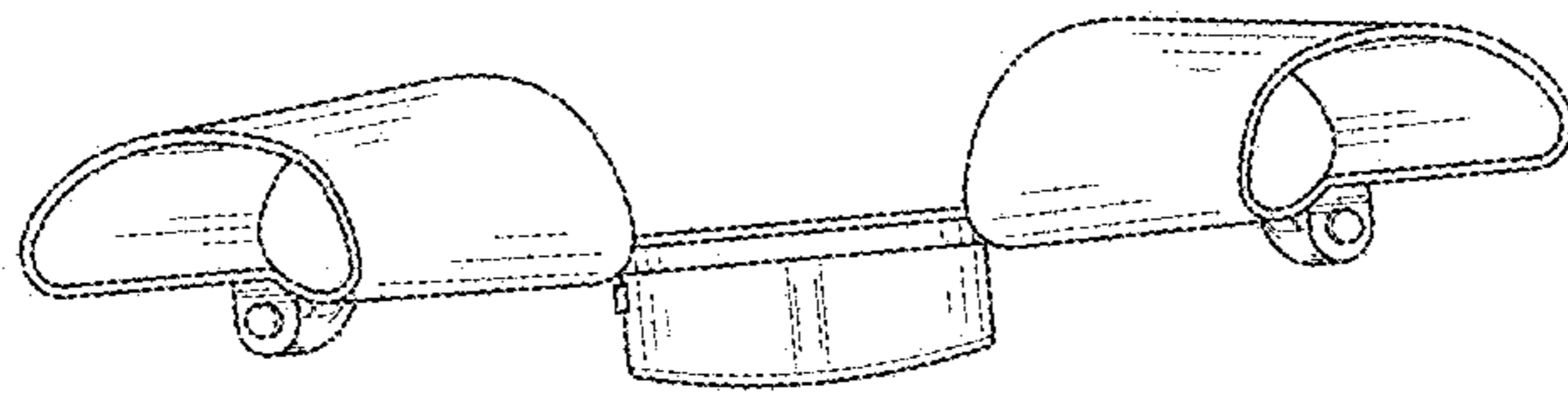


FIG.6

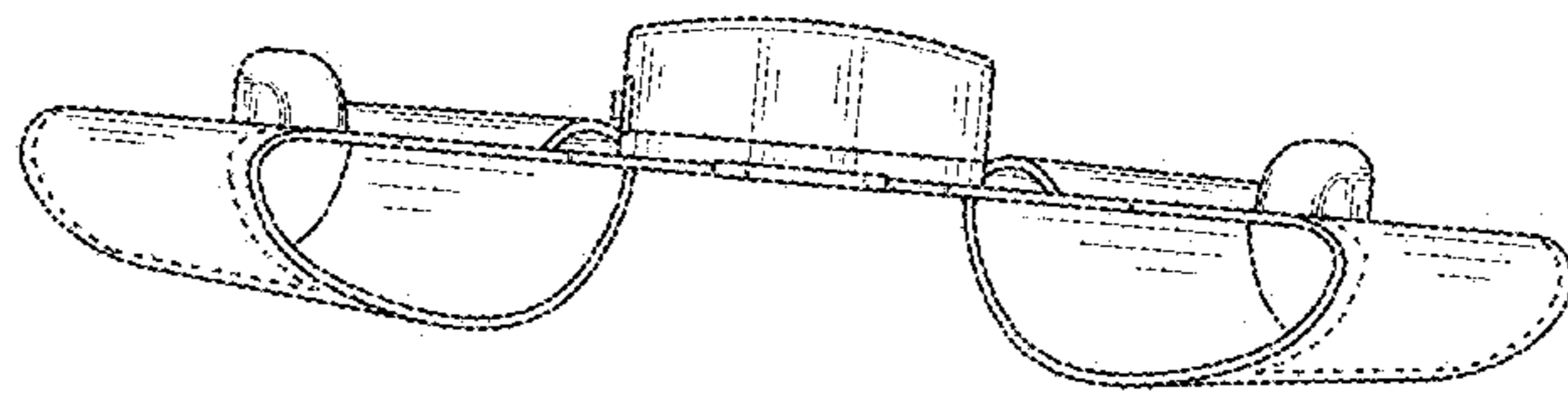


FIG.7

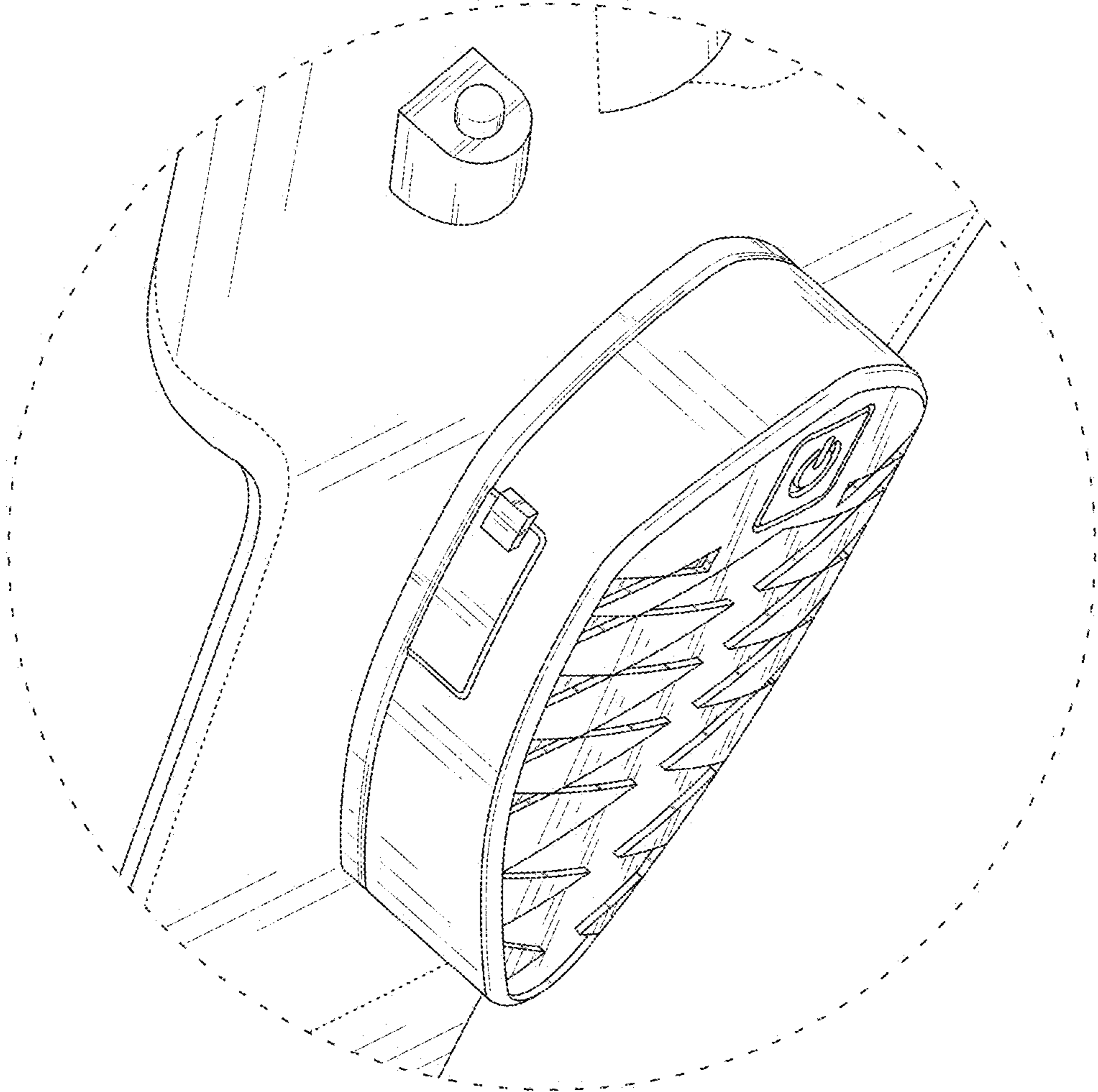


FIG.8

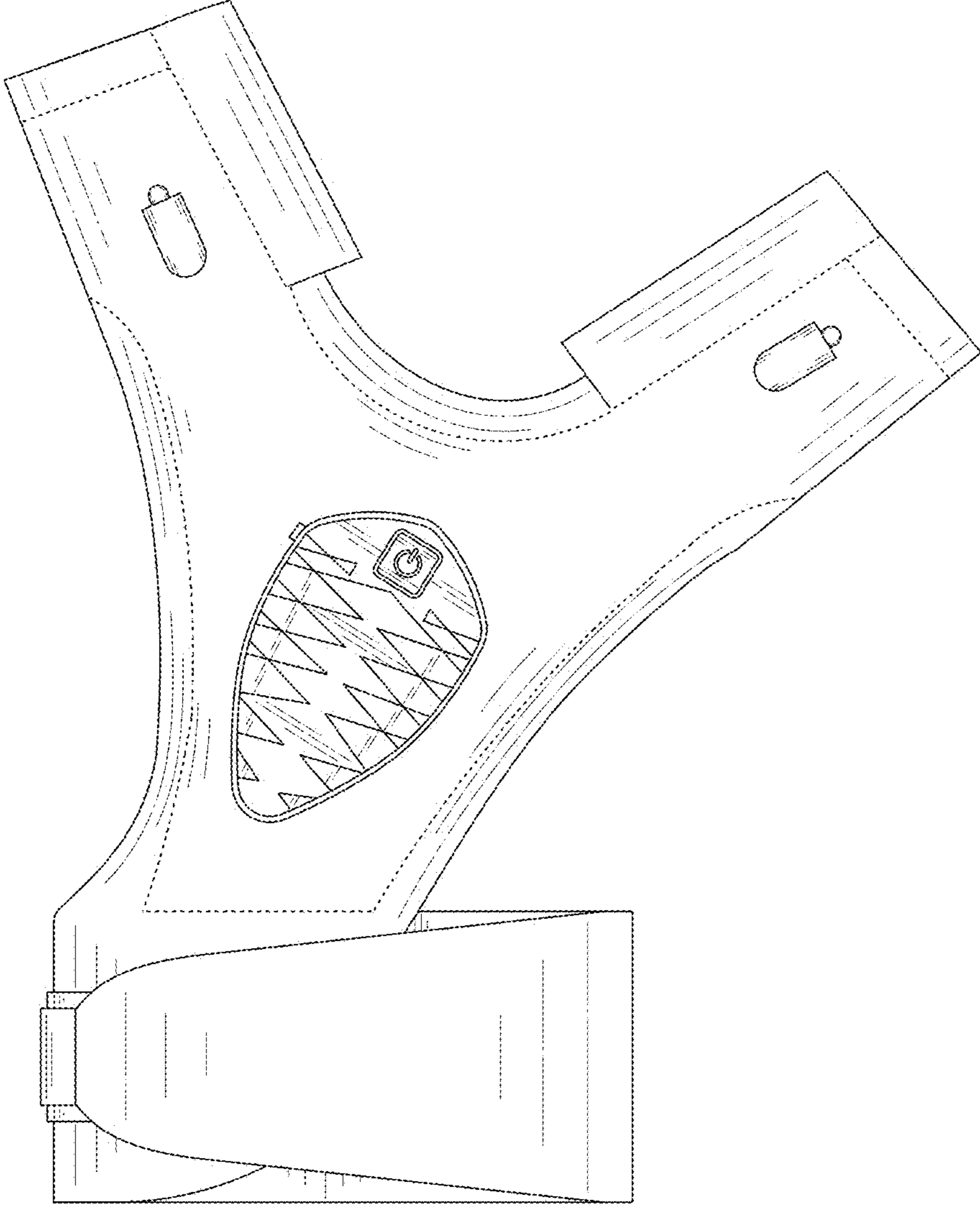


FIG.9