



US00D974696S

(12) **United States Design Patent** (10) **Patent No.:** **US D974,696 S**
Chan (45) **Date of Patent:** **** Jan. 3, 2023**

(54) **CASKET**

FOREIGN PATENT DOCUMENTS

(71) Applicant: **Sich Casket Company Limited**, Hong Kong (CN)

JP 2006320614 A * 11/2006

Primary Examiner — Messina L Smith

(72) Inventor: **Hung Sirius Chan**, Hong Kong (CN)

(74) *Attorney, Agent, or Firm* — Erickson Law Group, PC

(73) Assignee: **Sich Casket Company Limited**, Hong Kong (CN)

(57) **CLAIM**

(**) Term: **15 Years**

The ornamental design for a casket, as shown and described.

(21) Appl. No.: **29/709,232**

DESCRIPTION

(22) Filed: **Oct. 11, 2019**

Related U.S. Application Data

(63) Continuation of application No. 29/666,537, filed on Oct. 13, 2018, now abandoned.

(51) **LOC (14) Cl.** **03-01**

(52) **U.S. Cl.**
USPC **D99/1**

(58) **Field of Classification Search**
USPC D99/1, 2, 3, 4, 6, 7, 8, 9, 10, 11, 12, 13, D99/14, 15, 16, 17, 18, 19
CPC A61G 19/00; A61G 21/00; A61G 17/00; A61G 17/001; A61G 17/002; A61G 17/004; A61G 17/007; A61G 17/04; A61G 17/02; A61G 99/00; A62B 33/00
See application file for complete search history.

FIG. 1 is a top perspective view of a casket showing the new design, shown in a first embodiment.

FIG. 2 is a top view of the casket of FIG. 1.

FIG. 3 is a front view of the casket of FIG. 1, with the back view being identical.

FIG. 4 is a left end view of the casket of FIG. 1, with the right end view being identical.

FIG. 5 is a bottom view of the casket of FIG. 1.

FIG. 6 is a top perspective view of the casket shown in a second embodiment.

FIG. 7 is a top view of the casket of FIG. 6.

FIG. 8 is a front view of the casket of FIG. 6, with the back view being identical.

FIG. 9 is a left end view of the casket of FIG. 6, with the right end view being identical.

FIG. 10 is a bottom view of the casket of FIG. 6.

FIG. 11 is an enlarged partial cross-sectional view of the panel molding of the casket taken along lines 11-11 of FIGS. 3, 4, 8, and 9; and,

FIG. 12 is an enlarged partial cross-sectional view of the panel molding of the casket taken along lines 12-12 in FIGS. 2 and 7.

The broken lines shown in FIGS. 5 and 10 show the boundaries of the claim and form no part of the claimed design, the broken lines in FIGS. 11 and 12 depict portions of the casket that form no part of the claimed design.

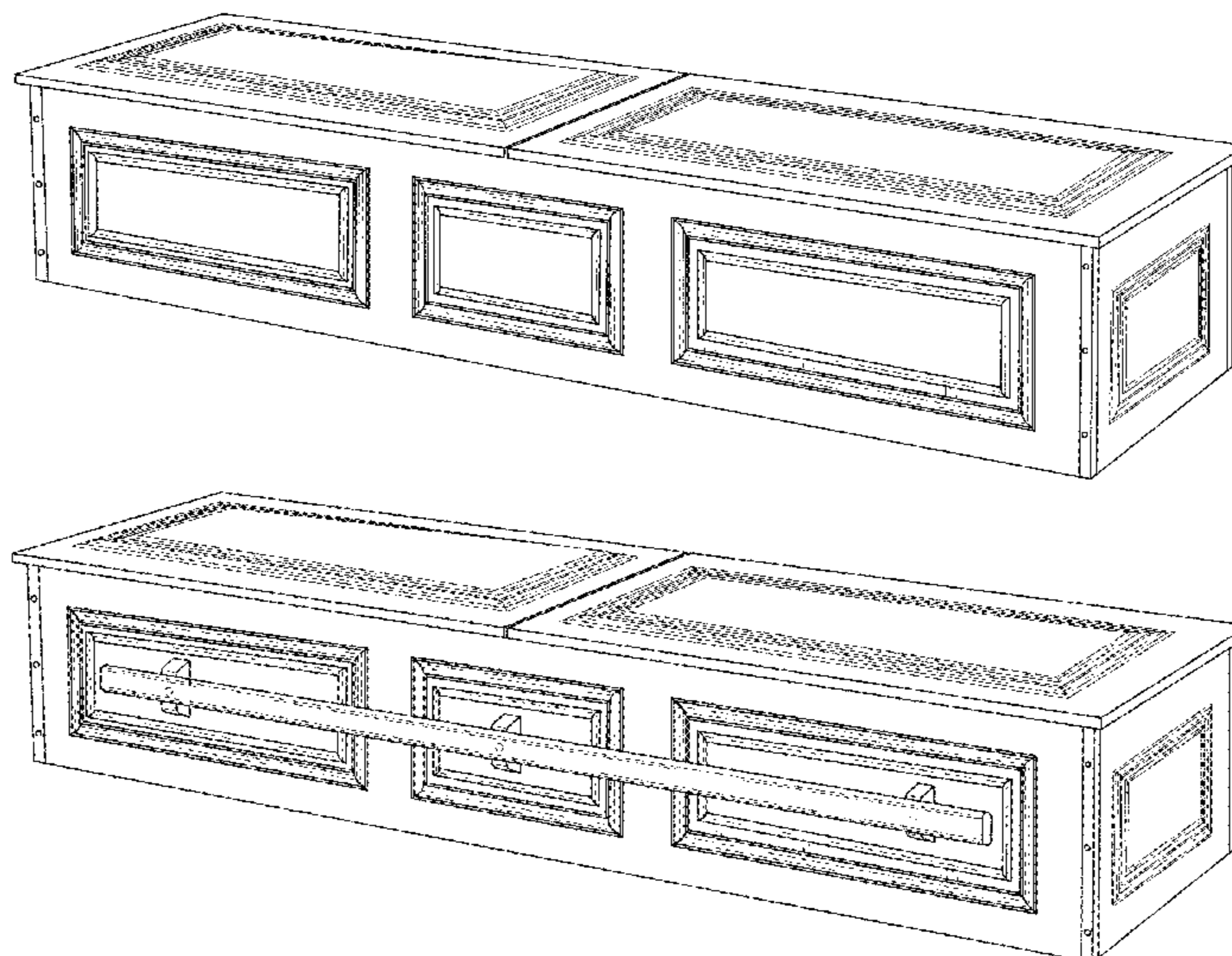
(56) **References Cited**

U.S. PATENT DOCUMENTS

565,566 A * 8/1896 Ramsey A61G 17/00
27/2
597,714 A * 1/1898 Forbis A47B 77/10
312/314
1,920,101 A * 7/1933 Nagel E04H 13/00
52/142
D95,747 S * 5/1935 Jaquith D99/7
D99,373 S * 4/1936 Seely D99/7

(Continued)

1 Claim, 11 Drawing Sheets



(56)

References Cited

U.S. PATENT DOCUMENTS

2,494,473 A *	1/1950	Dowling	A61G 17/00	27/3	5,862,847 A	1/1999	Jenkins	
D203,539 S	1/1966	Billman				6,079,183 A	6/2000	Moyes	
D208,773 S *	10/1967	Peter	D99/7		6,170,201 B1 *	1/2001	Mason A61G 17/00
D215,433 S *	9/1969	Peter	D99/7					27/35
3,490,114 A *	1/1970	Connelly	A61G 17/0073		6,530,134 B1 *	3/2003	Laphan B29C 51/12
									27/2
3,534,451 A *	10/1970	Esterdahl	A61G 17/02		D622,473 S *	8/2010	Pulver D99/1
						D622,474 S *	8/2010	Pulver D99/1
D223,903 S *	6/1972	Herricht	D99/1		D628,763 S *	12/2010	Pulver D99/1
3,944,267 A *	3/1976	Sundquist	A61G 17/02		D644,813 S *	9/2011	Longcamp D99/1
						9,833,372 B2	12/2017	Denk et al.	
D300,979 S *	5/1989	Durand	D99/7		2010/0088866 A1 *	4/2010	Fifer A61G 17/00
D309,033 S *	7/1990	Mohr	D27/106					27/4
D346,264 S	4/1994	Etzel et al.				2010/0218350 A1 *	9/2010	De La Fuente A61G 17/00
5,771,548 A *	6/1998	Jenkins	A61G 17/00					27/7
						2013/0191239 A1 *	7/2013	Bovard G06Q 30/0621
									705/26.5
						2017/0209326 A1 *	7/2017	Davis A61G 17/034

* cited by examiner

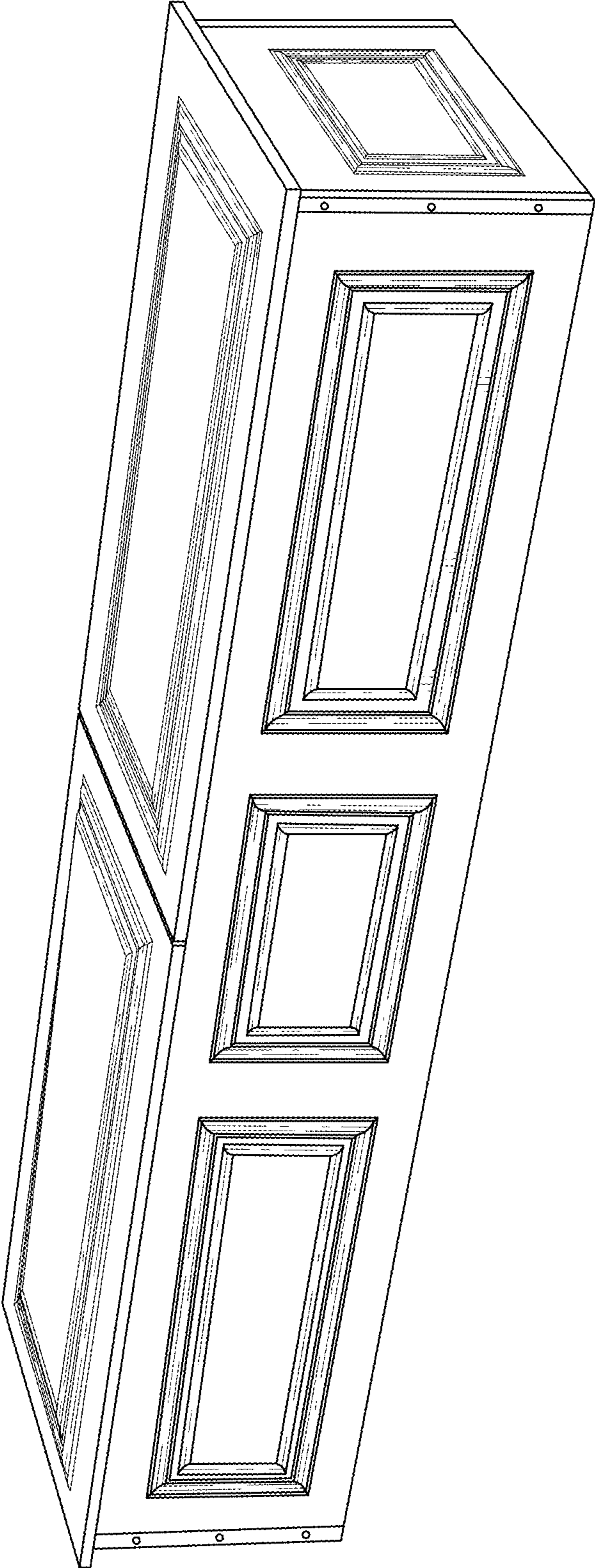


FIG. 1

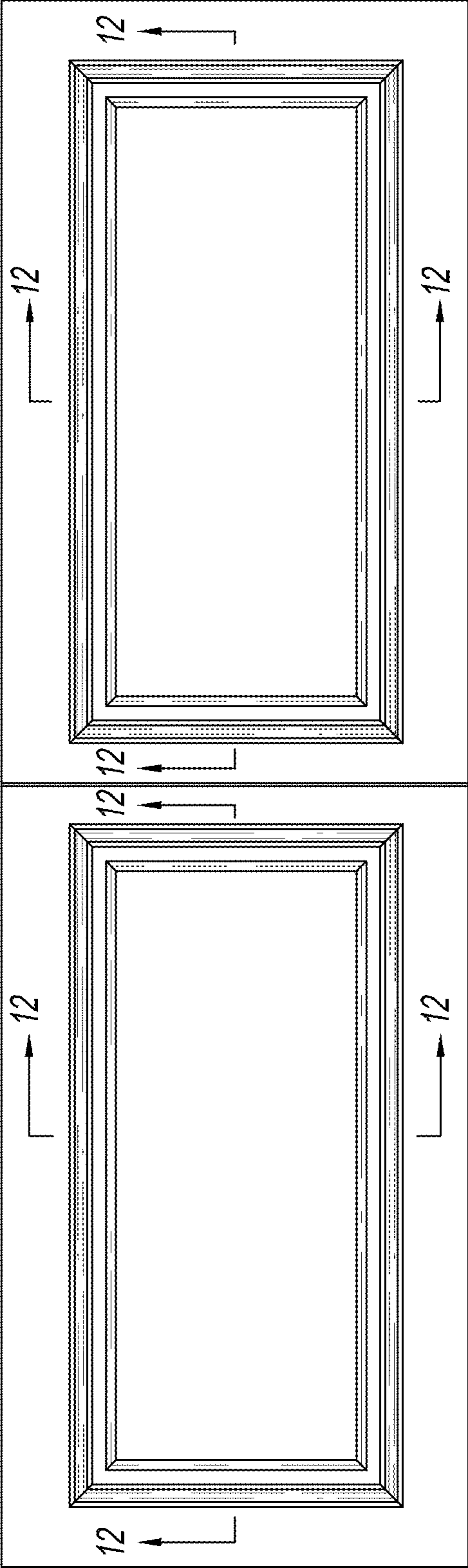


FIG. 2

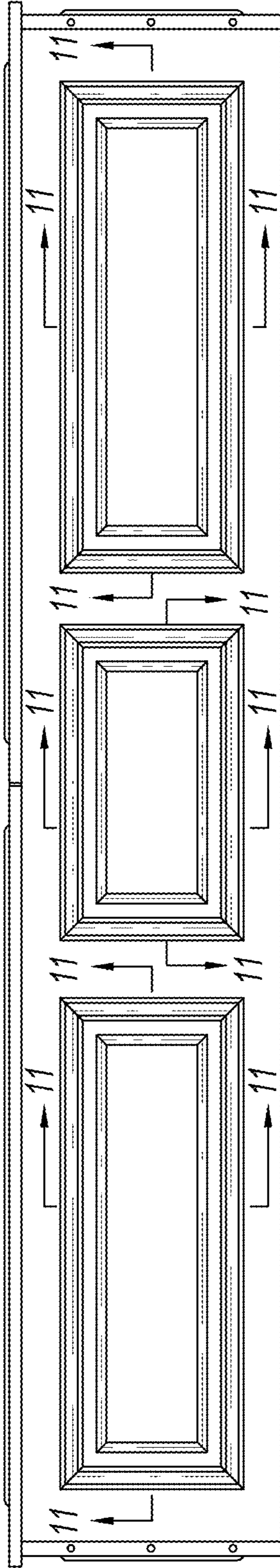


FIG. 3

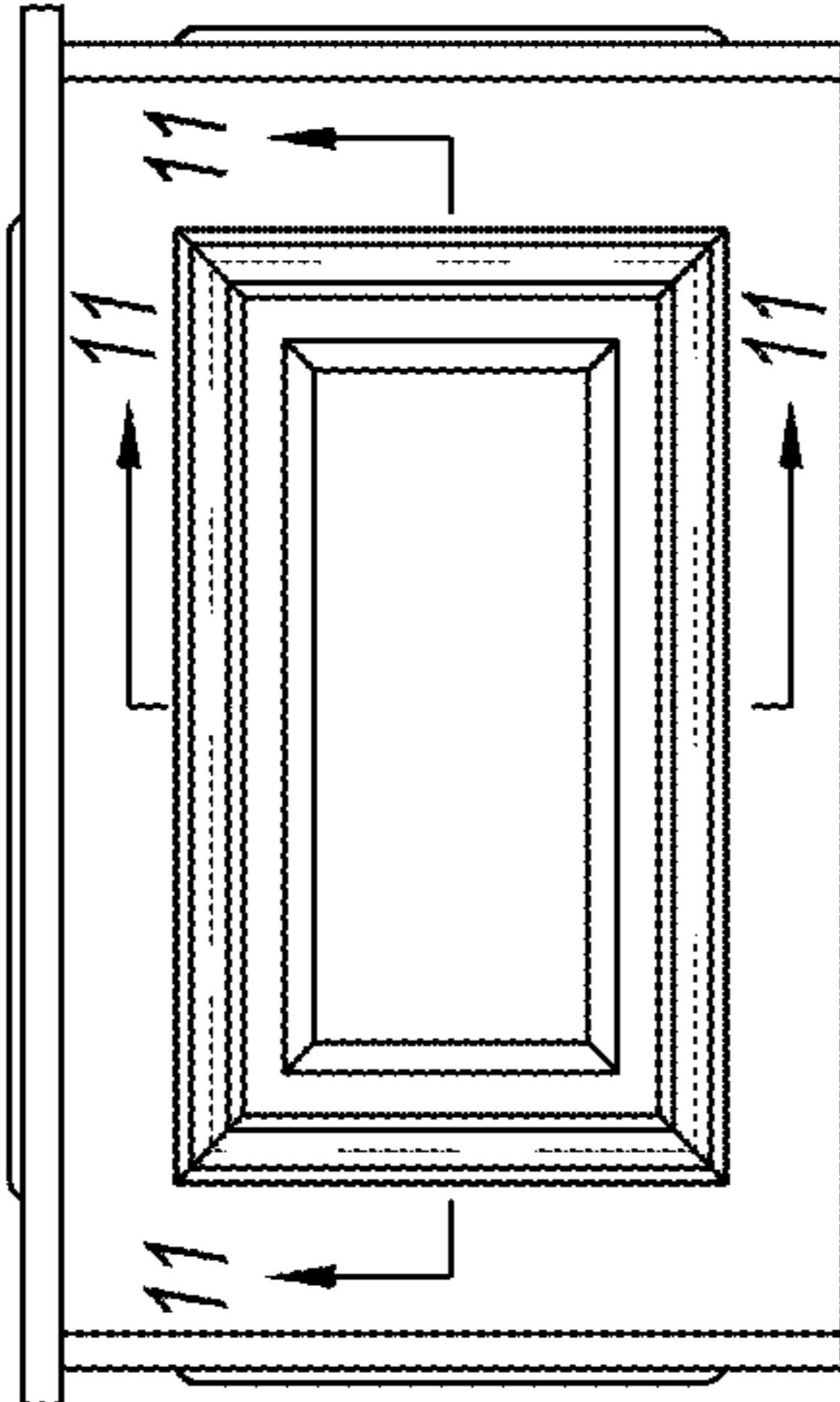


FIG. 4

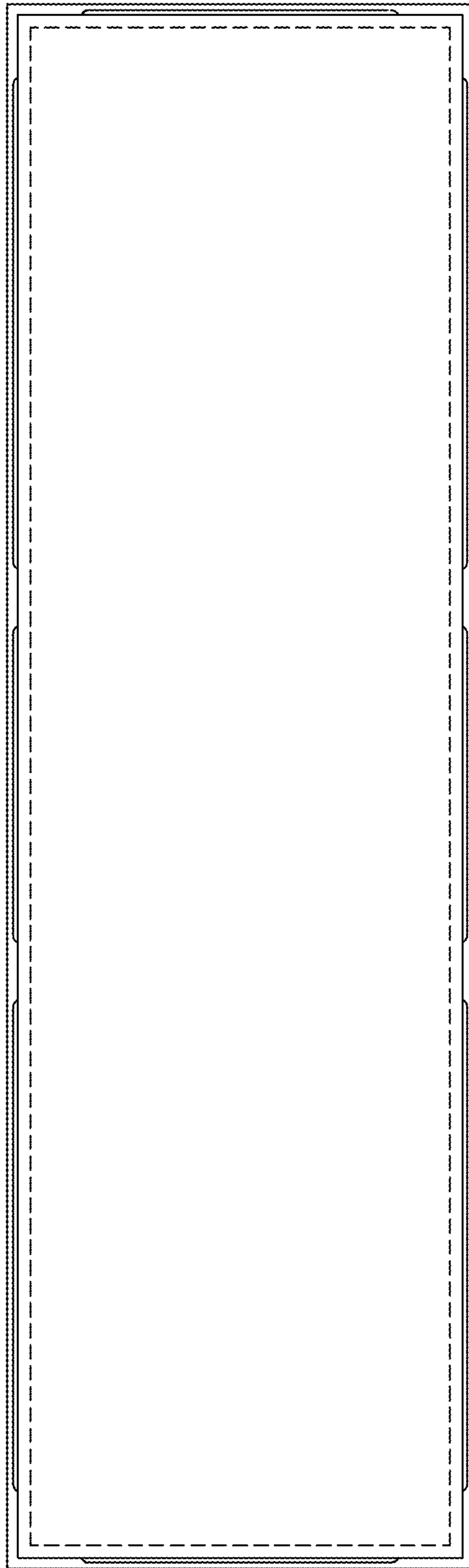


FIG. 5

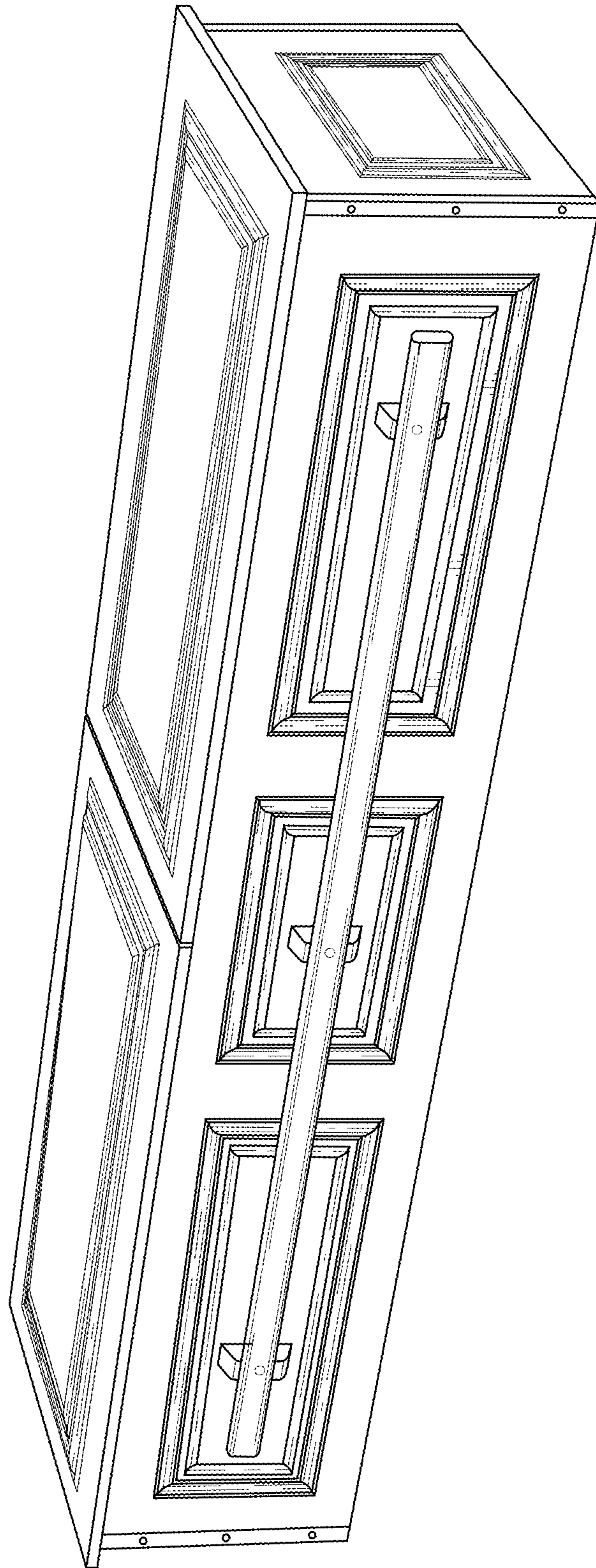


FIG. 6

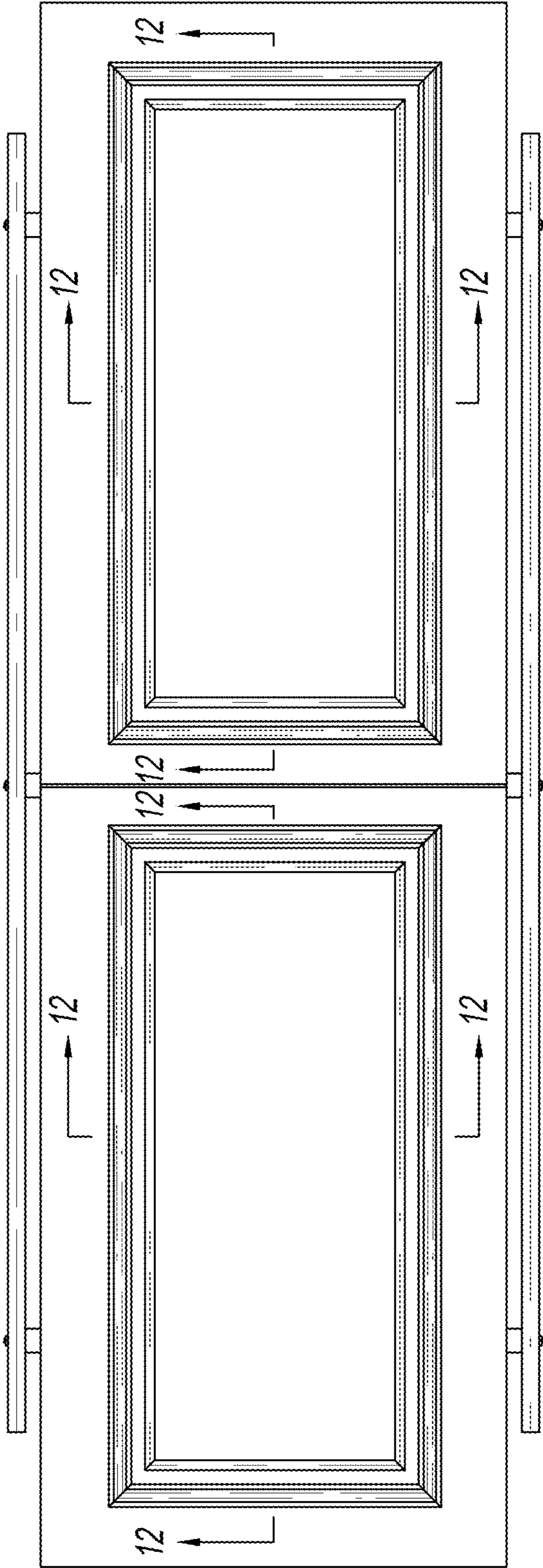


FIG. 7

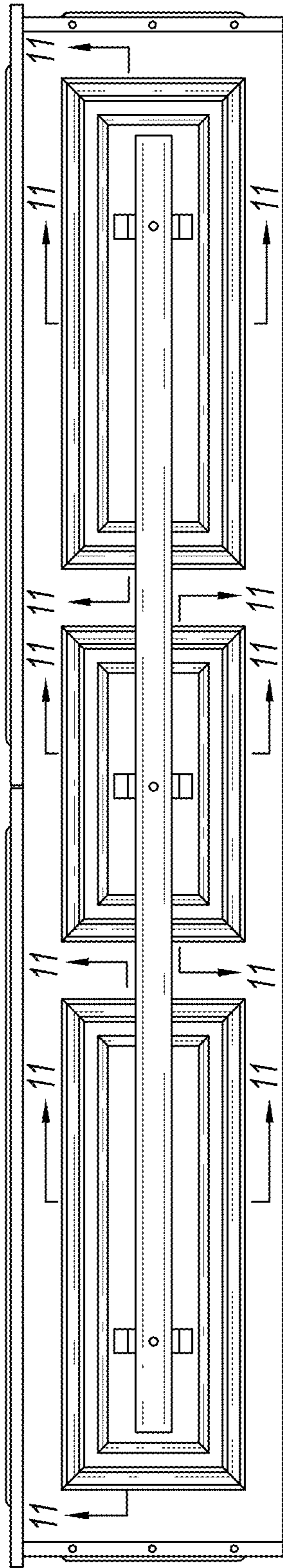


FIG. 8

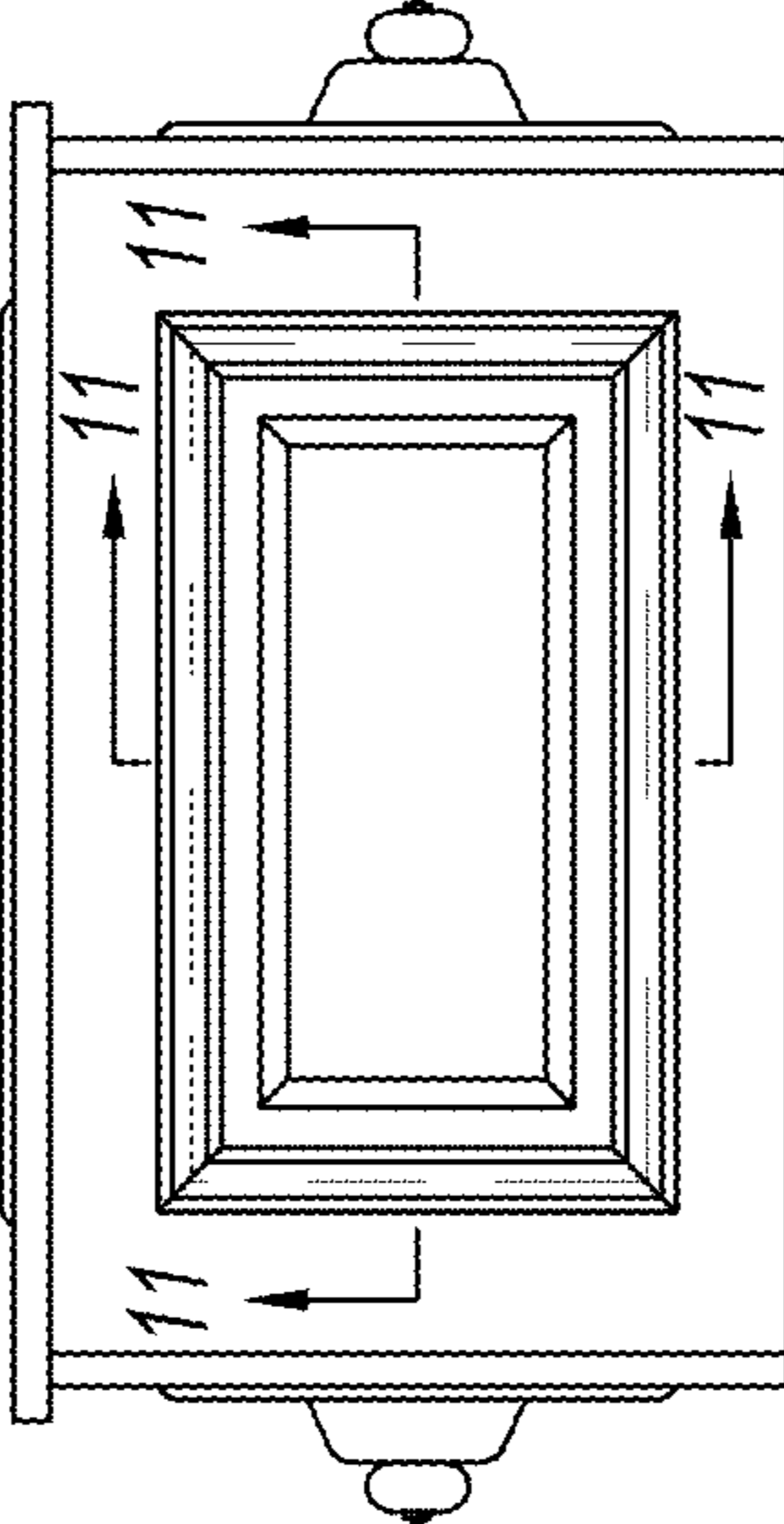


FIG. 9

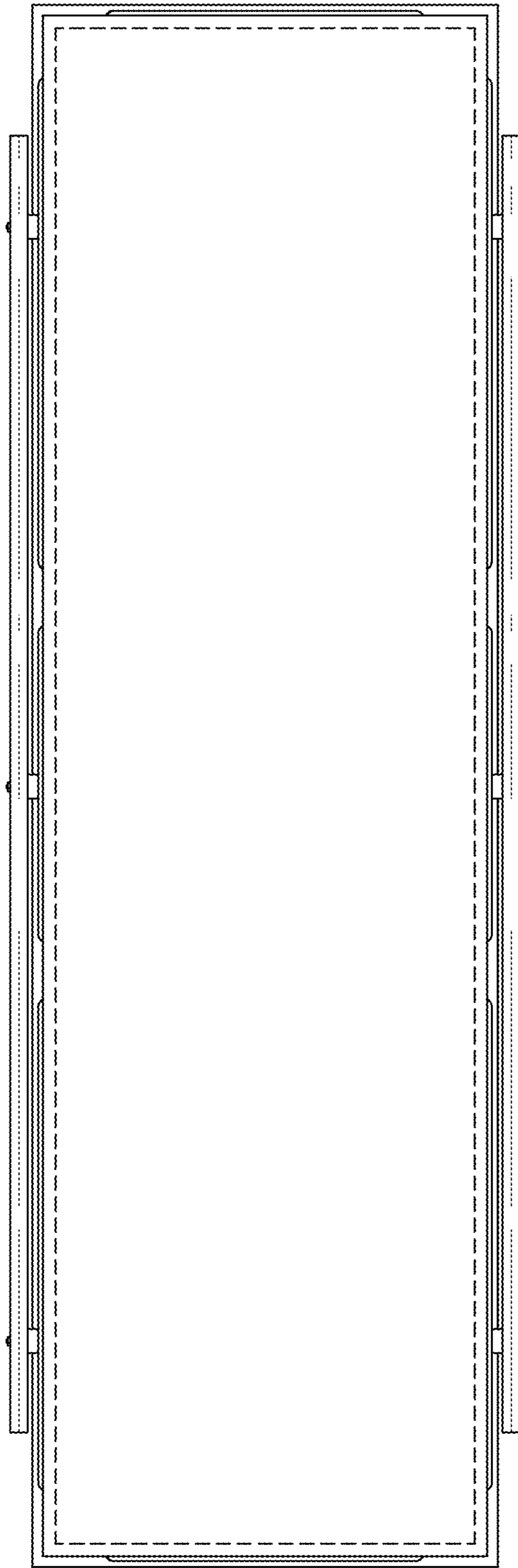


FIG. 10

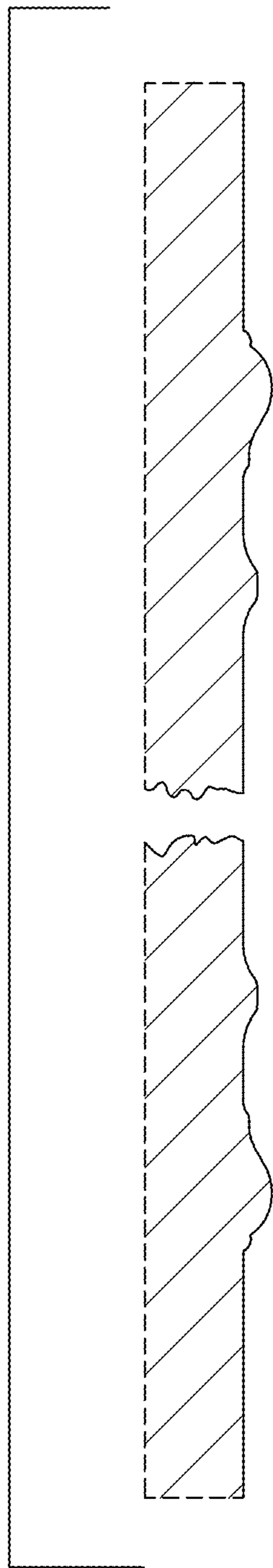


FIG. 11

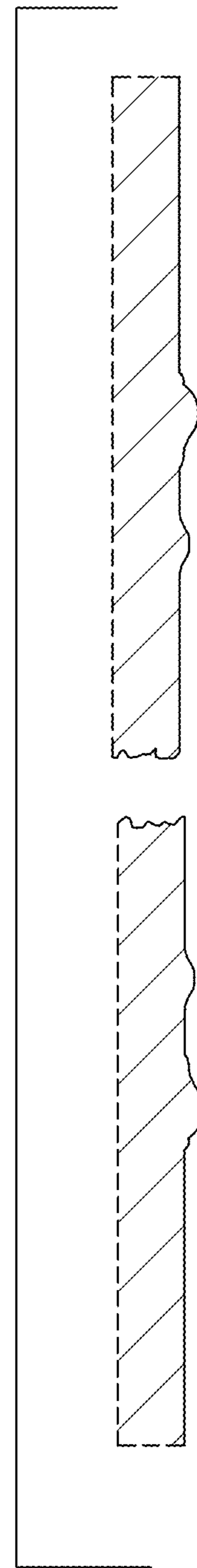


FIG. 12