



US00D974694S

(12) **United States Design Patent**
Dorame, Jr. et al.

(10) **Patent No.:** **US D974,694 S**
(45) **Date of Patent:** **** Jan. 3, 2023**

(54) **FOLDABLE STAND ASSEMBLY**
(71) Applicants: **Larry Dorame, Jr.**, Tucson, AZ (US);
Victor Edgardo Borquez, Marana, AZ (US)
(72) Inventors: **Larry Dorame, Jr.**, Tucson, AZ (US);
Victor Edgardo Borquez, Marana, AZ (US)
(**) Term: **15 Years**

D375,602 S * 11/1996 Henthorn D34/28
5,769,396 A * 6/1998 Tischendorf B62M 3/00
254/134
5,927,689 A * 7/1999 Johnson B25H 1/0014
254/131
D452,056 S * 12/2001 Rosania D34/28
D731,140 S * 6/2015 Zejnullahu B66F 11/042
D34/28
D748,361 S * 1/2016 Kritzer B66F 7/065
D34/28
9,241,577 B1 * 1/2016 Shea B66F 11/042
D759,936 S * 6/2016 Kritzer B66F 7/0625
D34/28

(21) Appl. No.: **29/850,159**
(22) Filed: **Aug. 17, 2022**

(Continued)

Related U.S. Application Data

(63) Continuation-in-part of application No. 17/508,990,
filed on Oct. 23, 2021, now Pat. No. 11,448,361.
(51) **LOC (14) Cl.** **12-05**
(52) **U.S. Cl.**
USPC **D34/31**
(58) **Field of Classification Search**
USPC D6/672, 675; D8/71, 354; D12/223;
D34/28, 31
CPC F16M 11/38; F16M 11/242; F16M 11/245;
A47B 3/00; A47B 3/08; B66F 7/06; B66F
7/065
See application file for complete search history.

OTHER PUBLICATIONS

“Jeep JK Jack Base by AEV,” azoffroading.com. <https://azoffroading.com/blog/jeep-jk-jack-base-by-aev/> [Date accessed: Jun. 8, 2021].

Primary Examiner — Steven J Czyz

(74) *Attorney, Agent, or Firm* — Bold IP, PLLC; Houda El-Jarrah

(57) **CLAIM**

The ornamental design for a foldable stand assembly, as shown and as described.

DESCRIPTION

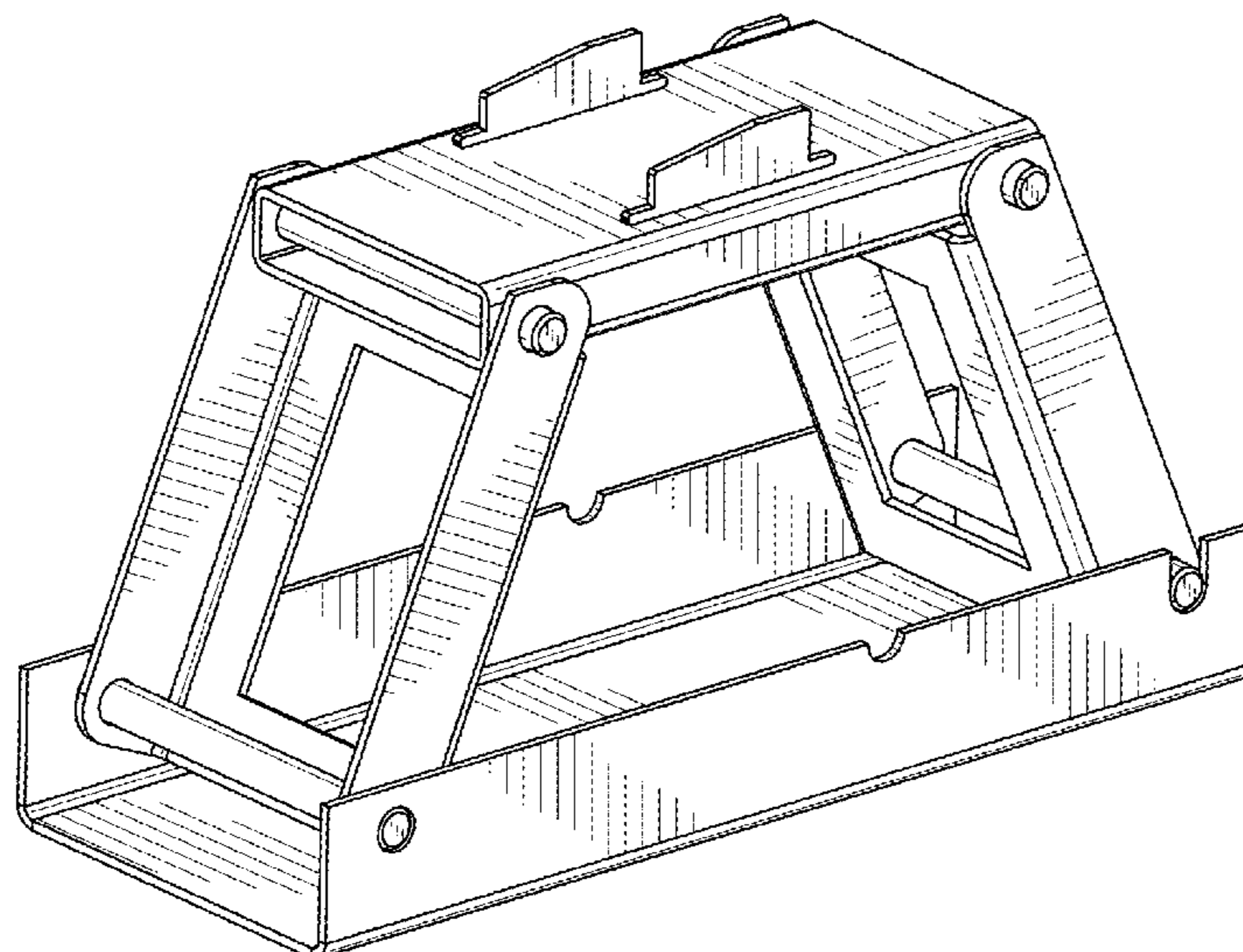
(56) **References Cited**

U.S. PATENT DOCUMENTS

4,032,103 A * 6/1977 Ehrichs A47B 9/16
248/421
4,700,921 A * 10/1987 Holbrook B63B 29/04
248/421
5,211,376 A * 5/1993 Anderson B25H 1/0014
254/134
D344,835 S * 3/1994 MacEachern D34/28
D346,254 S * 4/1994 Novak B63B 29/04
D34/28
D346,255 S * 4/1994 Francis D34/28

FIG. 1 is a perspective view of the foldable stand assembly, shown in a folded configuration.
FIG. 2 is back side view thereof;
FIG. 3 is a front side view thereof;
FIG. 4 is a left view thereof;
FIG. 5 is a right view thereof;
FIG. 6 is a top view thereof;
FIG. 7 is a bottom view thereof; and,
FIG. 8 is a use view showing the foldable stand assembly in a folded configuration.

1 Claim, 5 Drawing Sheets



(56)

References Cited

U.S. PATENT DOCUMENTS

D949,508 S * 4/2022 Sawant B01L 9/00
D34/31
11,448,361 B1 * 9/2022 Dorame, Jr. F16M 11/38
2005/0017223 A1 * 1/2005 Lucas B66F 13/00
254/1
2007/0034125 A1 * 2/2007 Lo B66F 7/0608
108/20
2008/0224014 A1 9/2008 Piri
2008/0251660 A1 * 10/2008 Spyker B63C 5/02
248/176.1
2009/0272953 A1 * 11/2009 Wolf B66F 7/0625
254/7 C
2014/0103277 A1 * 4/2014 Cormack B66F 7/065
254/89 R
2015/0028177 A1 * 1/2015 Vargas B60S 9/02
248/542
2015/0159803 A1 * 6/2015 Lin B66F 7/065
108/50.11
2020/0009716 A1 1/2020 LaSalle
2022/0339980 A1 * 10/2022 Haddock B60D 1/66

* cited by examiner

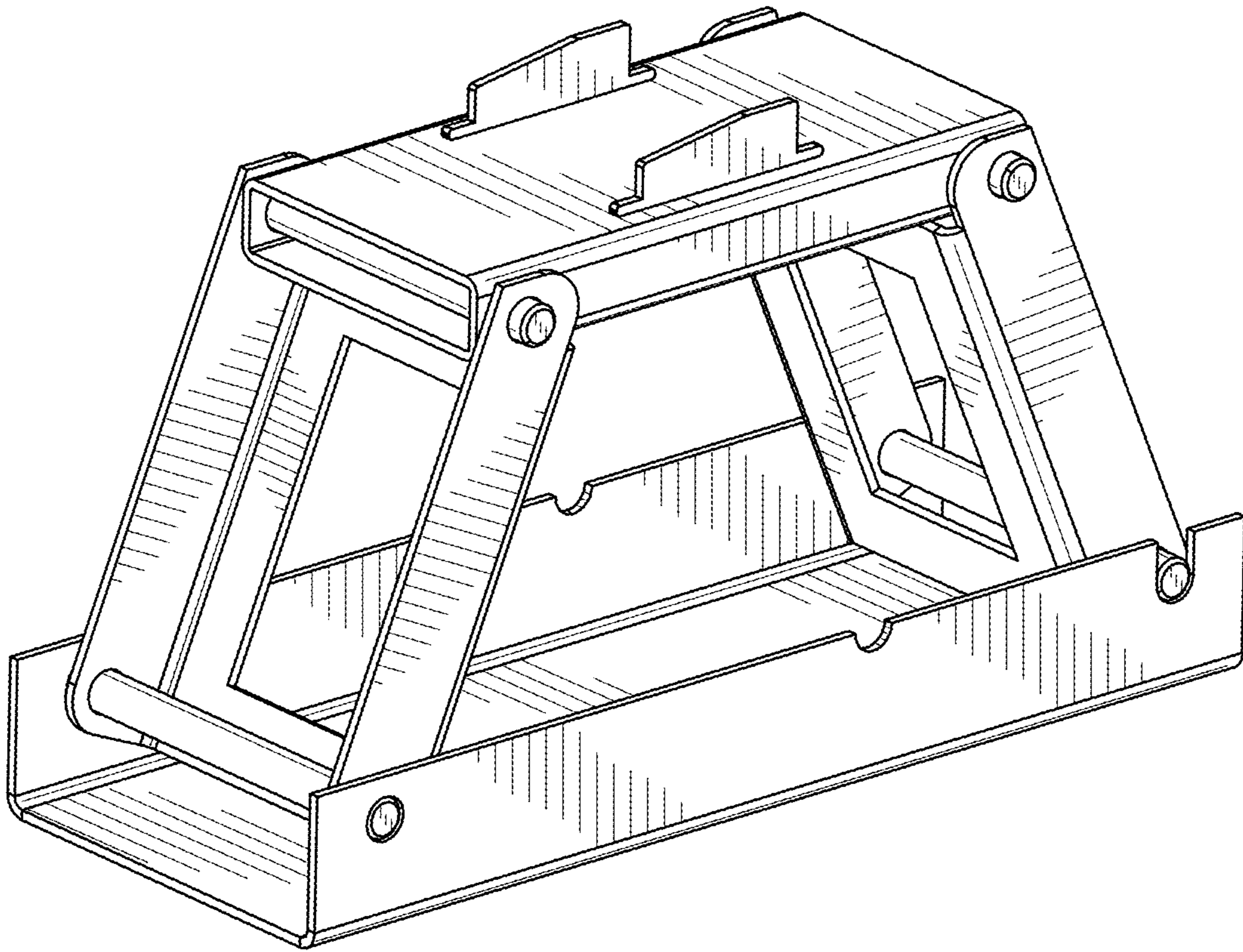


FIG. 1

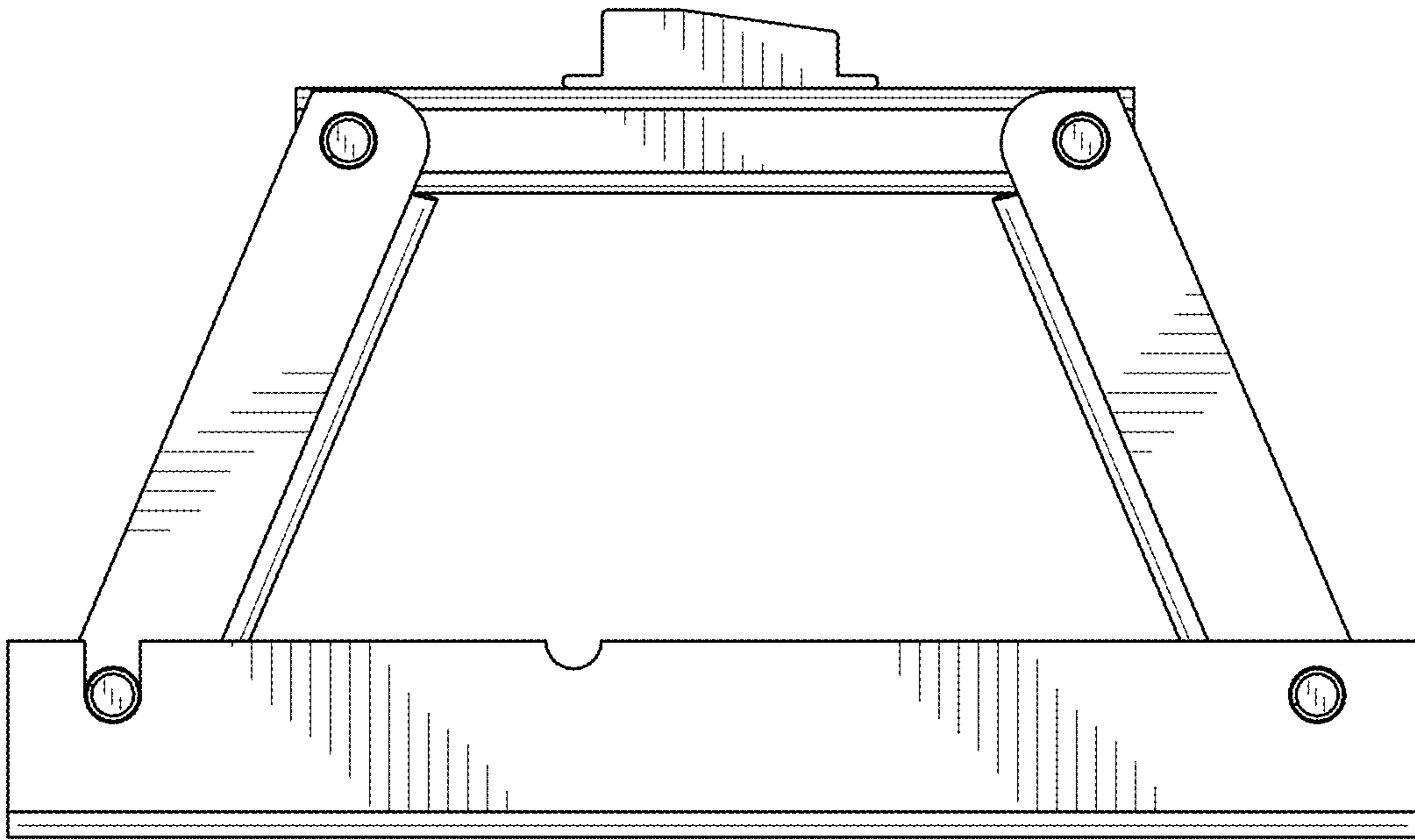


FIG. 2

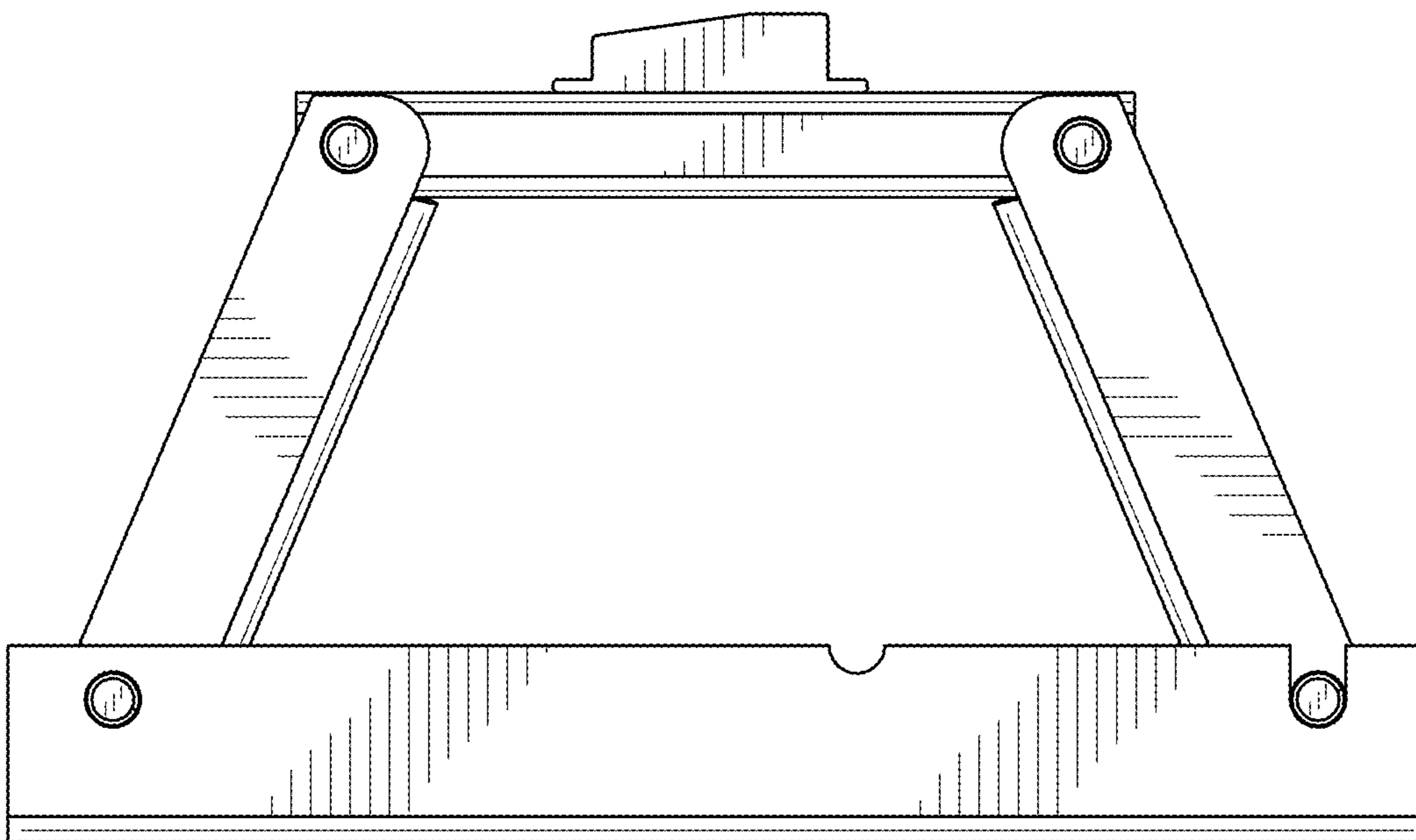


FIG. 3

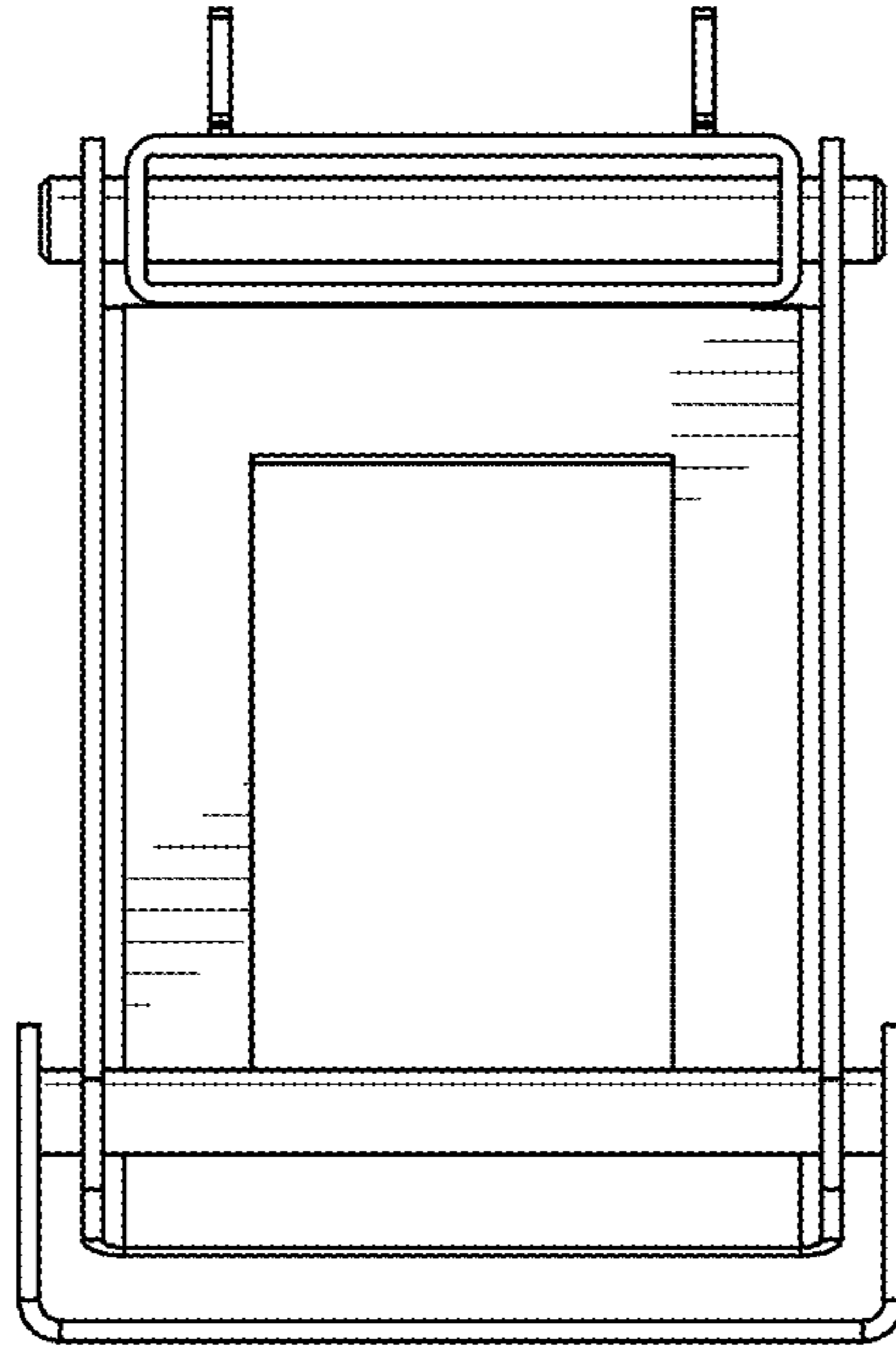


FIG. 4

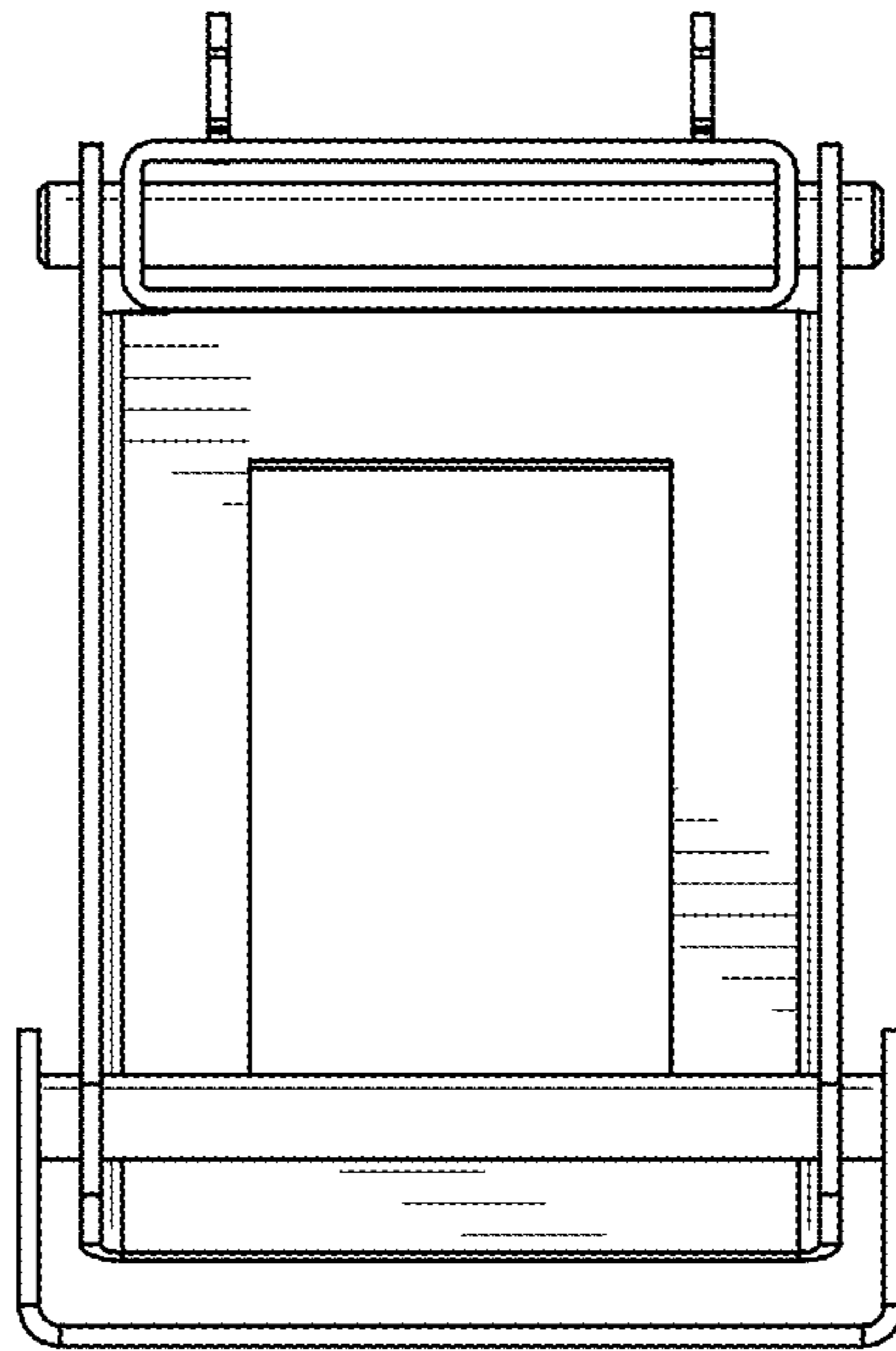


FIG. 5

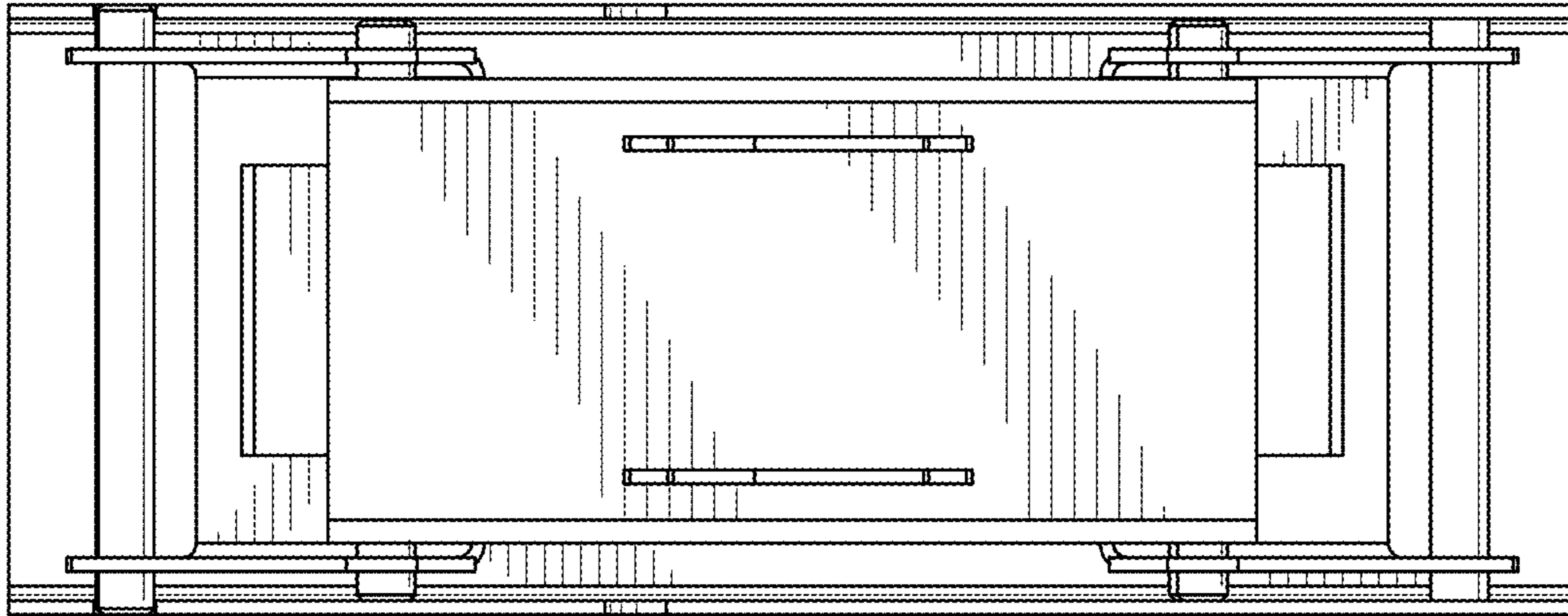


FIG. 6

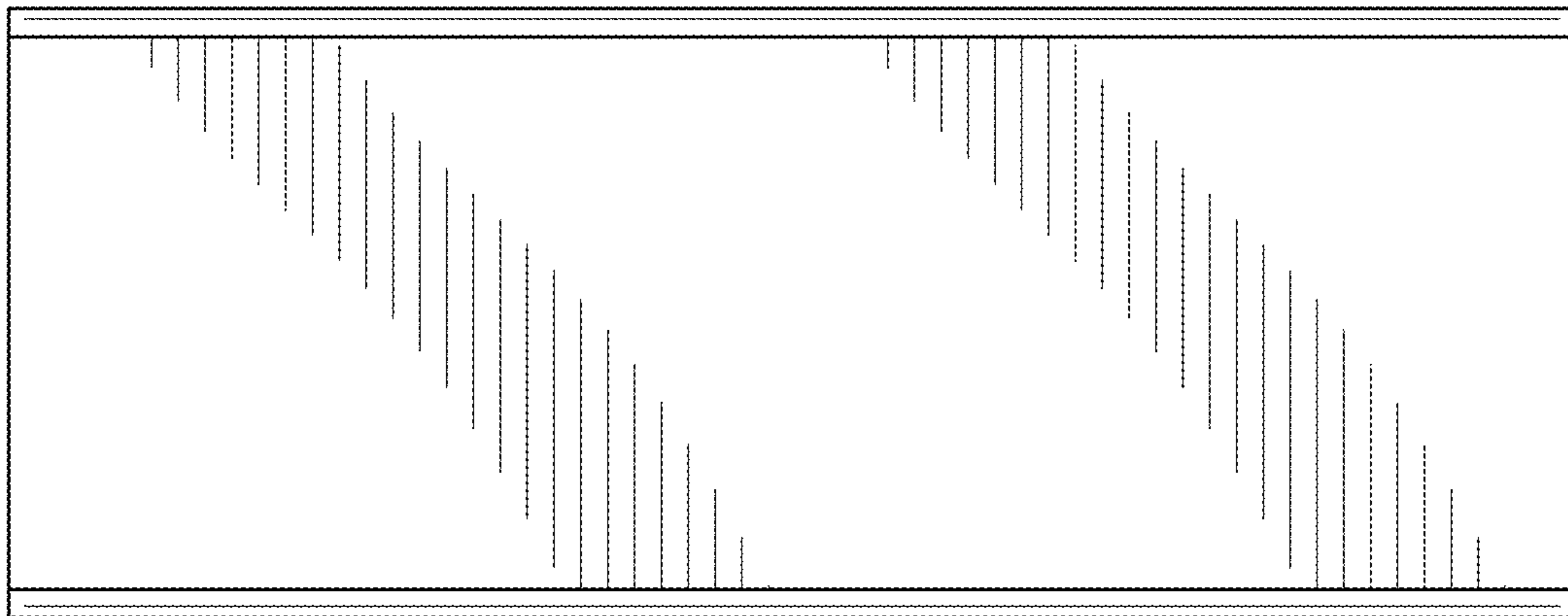


FIG. 7

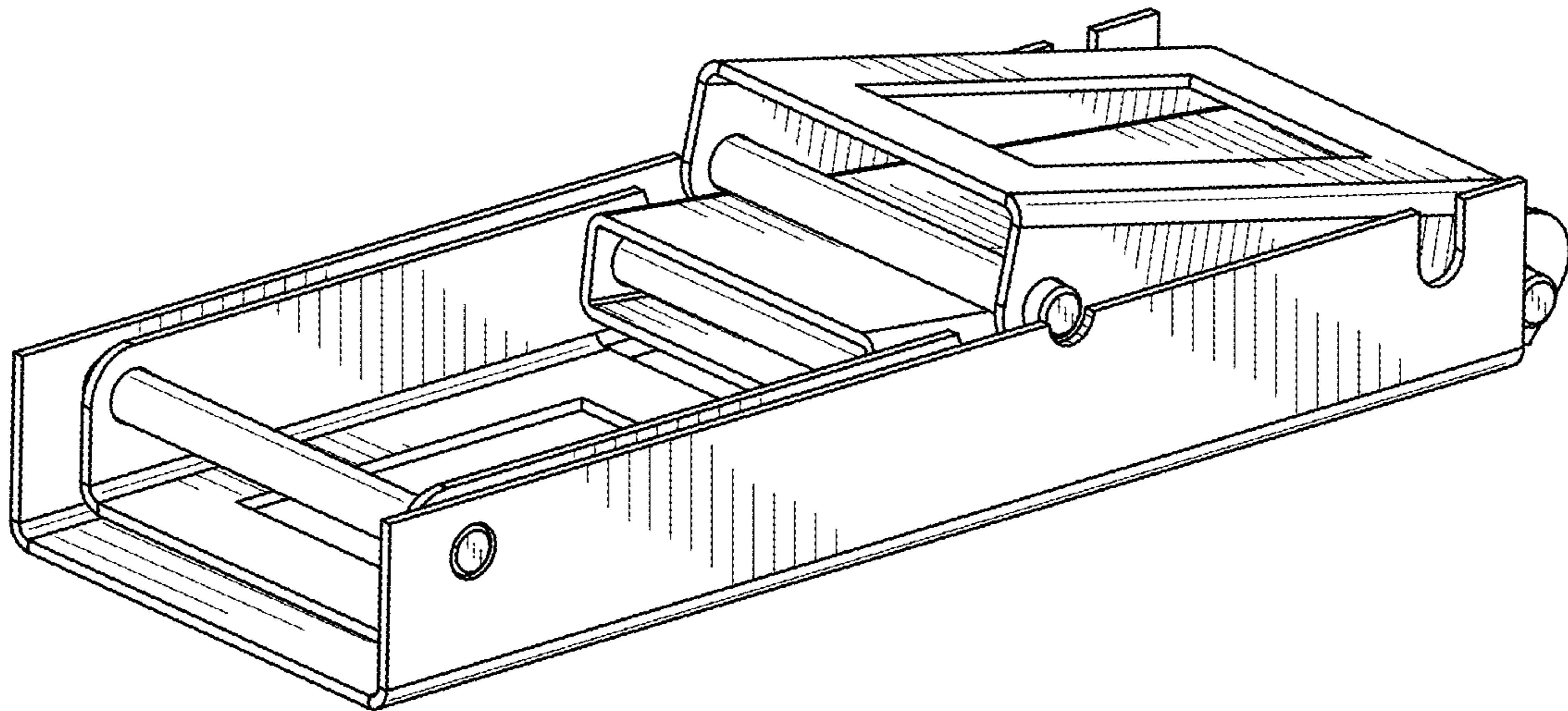


FIG. 8