



US00D974693S

(12) **United States Design Patent** (10) **Patent No.:** **US D974,693 S**
Guay et al. (45) **Date of Patent:** **** Jan. 3, 2023**

(54) **CONVEYOR IDLER**
(71) Applicant: **NHI Mechanical Motion, LLC**,
Claremont, NH (US)
(72) Inventors: **Kevin J. Guay**, West Lebanon, NH
(US); **Alexander J. Moskalenko**,
Springfield, NH (US); **Zachary P.
Kerin**, White River Junction, VT (US)
(73) Assignee: **NHI Mechanical Motion, LLC**,
Claremont, NH (US)

5,197,592 A 3/1993 East
5,373,935 A 12/1994 Anderson
5,383,549 A 1/1995 Mayer
D401,717 S * 11/1998 Grueber D34/29
5,954,186 A 9/1999 Stroobandt
D423,178 S * 4/2000 Specht D34/29
6,082,528 A 7/2000 Habberley
6,234,293 B1 * 5/2001 Fasoli F16C 13/022
193/37
6,349,819 B1 2/2002 Nohl
6,450,325 B1 * 9/2002 Devnani B65G 23/08
198/784
6,547,054 B2 4/2003 Gamache
6,634,490 B2 10/2003 Fischer

(**) Term: **15 Years**

(21) Appl. No.: **29/735,921**
(22) Filed: **May 26, 2020**
(51) **LOC (14) Cl.** **12-05**
(52) **U.S. Cl.**
USPC **D34/29**
(58) **Field of Classification Search**
USPC D34/29, 35; 198/830, 860
CPC F16J 15/164; F16J 15/4476; B65G 39/12;
B65G 39/02; B65G 39/09; B65G 39/805;
B65G 15/60; B65G 21/02; F16C 33/80;
F16C 33/7896; F16C 33/7886; F16C
33/7859; F16C 33/7866; F16C 33/805
See application file for complete search history.

(Continued)

FOREIGN PATENT DOCUMENTS

CN 102976055 A 3/2013
CN 105460544 A 4/2016

(Continued)

Primary Examiner — Cynthia Ramirez
(74) *Attorney, Agent, or Firm* — Loginov & Associates,
PLLC; William A. Loginov

(57) **CLAIM**

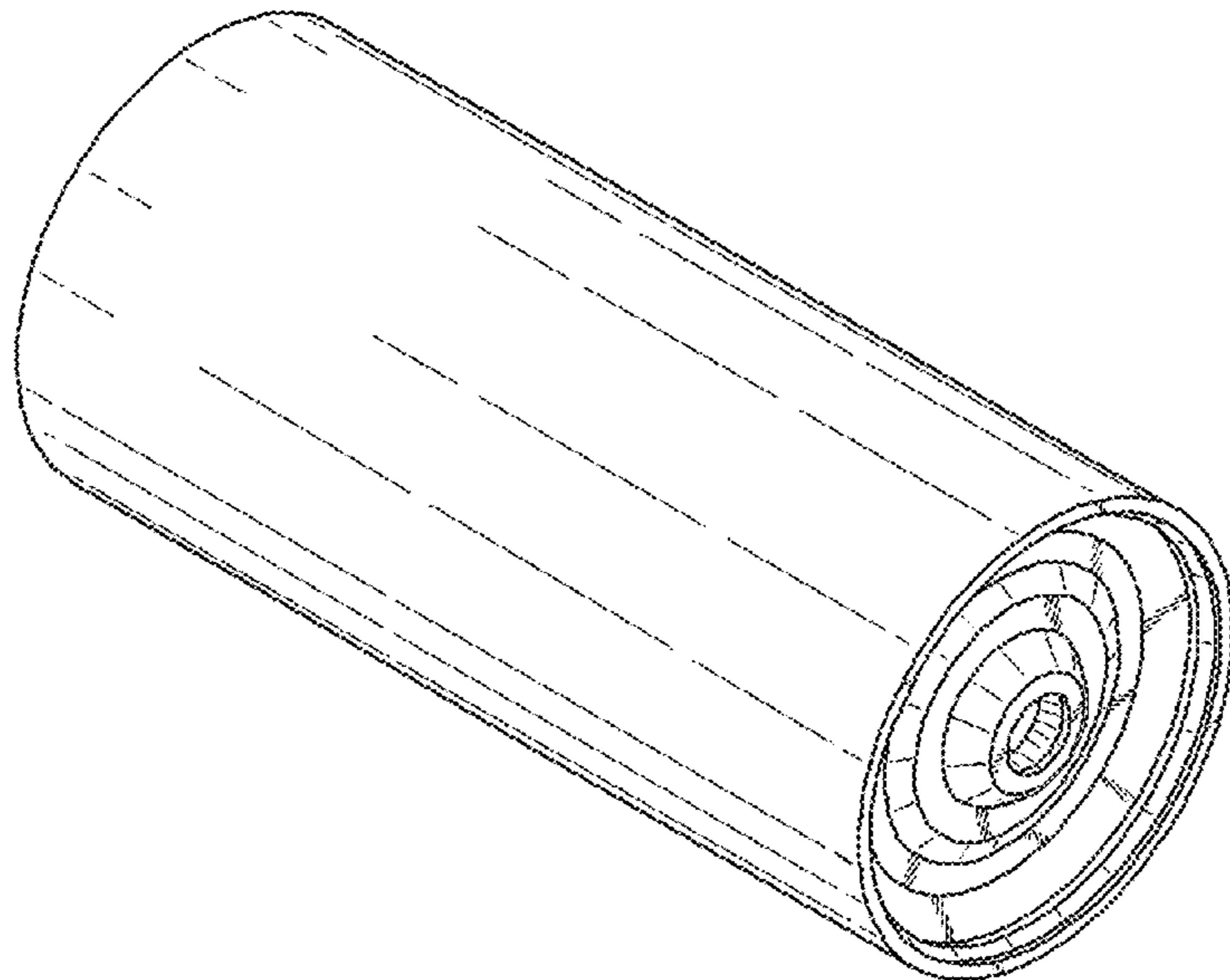
The ornamental design for a conveyor idler, substantially as shown.

DESCRIPTION

FIG. 1 is a perspective view of a conveyor idler showing our new design;
FIG. 2 is a front view thereof;
FIG. 3 is a rear view thereof;
FIG. 4 is a right side view thereof;
FIG. 5 is a left side view thereof;
FIG. 6 is a top view thereof; and,
FIG. 7 is a bottom view thereof.
The broken lines shown in the figures show portion of the conveyor idler, which form no part of the claimed design.

(56) **References Cited**
U.S. PATENT DOCUMENTS
1,793,346 A 2/1931 Wego
3,252,556 A * 5/1966 Isacson B65G 39/12
193/35 R
3,406,438 A 10/1968 Reilly
4,277,114 A 7/1981 Lindegger
4,919,253 A 4/1990 Morrison
5,022,132 A 6/1991 Valster
5,028,054 A 7/1991 Peach
5,044,490 A 9/1991 East

1 Claim, 3 Drawing Sheets



(56)

References Cited

U.S. PATENT DOCUMENTS

6,641,512 B2 11/2003 Bryant, Jr.
7,028,825 B2 4/2006 Scott
7,588,135 B1 * 9/2009 Chuang B65G 39/12
198/860.1
8,146,733 B2 4/2012 Fox
9,056,727 B2 6/2015 White
9,133,940 B1 9/2015 Taylor
D750,864 S * 3/2016 Roessler D34/29
9,359,144 B2 6/2016 White
D772,517 S * 11/2016 Schiltz D34/29
10,088,053 B1 10/2018 Hartney
D880,097 S * 3/2020 Wolf D34/29
D880,098 S * 3/2020 Harrison D34/29
10,981,727 B1 4/2021 Guay
D924,529 S * 7/2021 Simmendinger D34/29
D924,530 S * 7/2021 Simmendinger D34/29
D924,531 S * 7/2021 Simmendinger D34/29

D932,129 S * 9/2021 Wolf D34/29
2002/0115547 A1 * 8/2002 Spiess B65G 39/10
492/59
2003/0015394 A1 1/2003 Nimmo
2004/0079621 A1 4/2004 Mott
2011/0168520 A1 * 7/2011 Gagnon B29C 65/56
193/37
2013/0140131 A1 * 6/2013 Kaminski, Jr. F16C 13/022
384/587
2014/0202823 A1 7/2014 White
2018/0148262 A1 * 5/2018 Huang B65G 35/04
2019/0233217 A1 * 8/2019 Grimm F16C 33/805
2021/0347579 A1 * 11/2021 Boire B65G 39/12

FOREIGN PATENT DOCUMENTS

EP 112026 A 6/1984
WO 2018067574 A1 4/2018

* cited by examiner

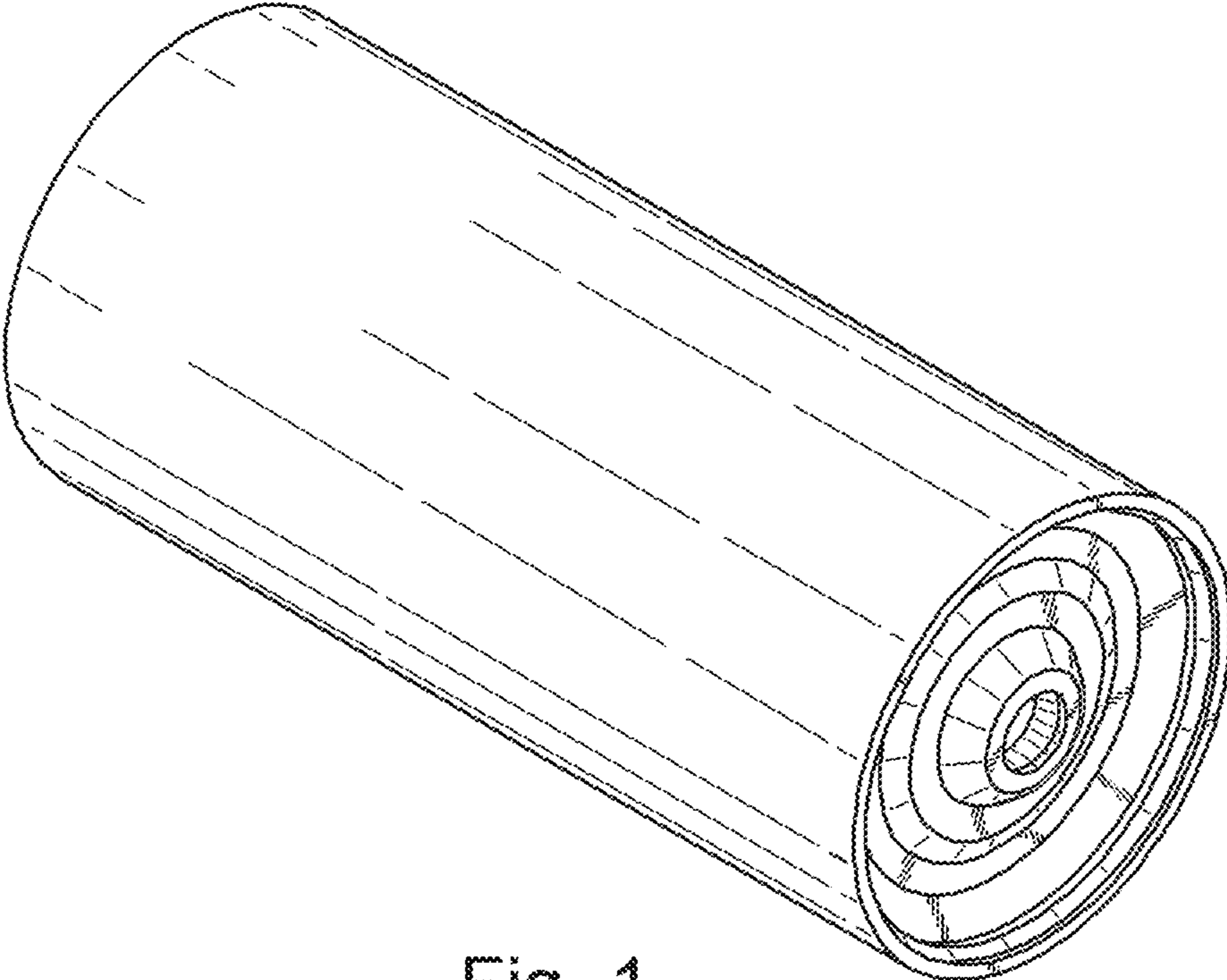


Fig. 1

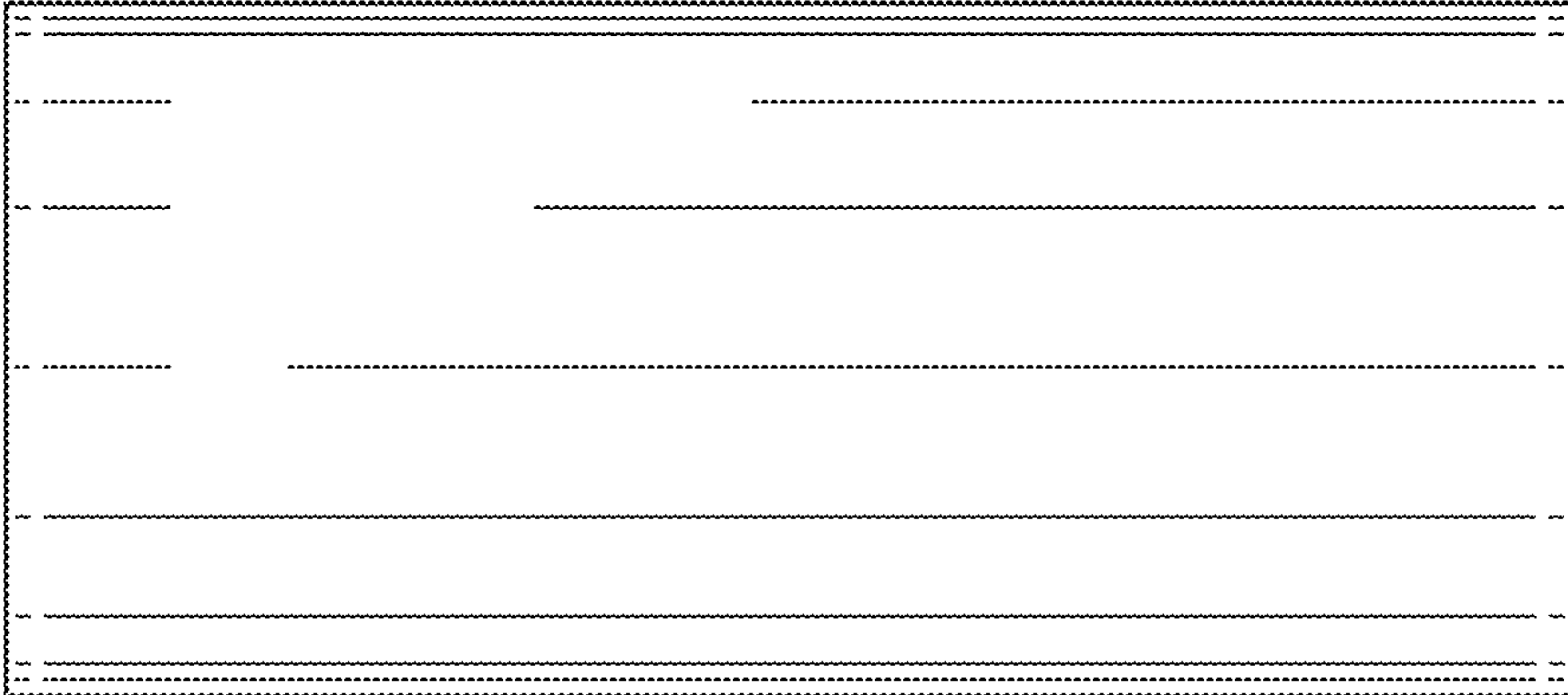


Fig. 2

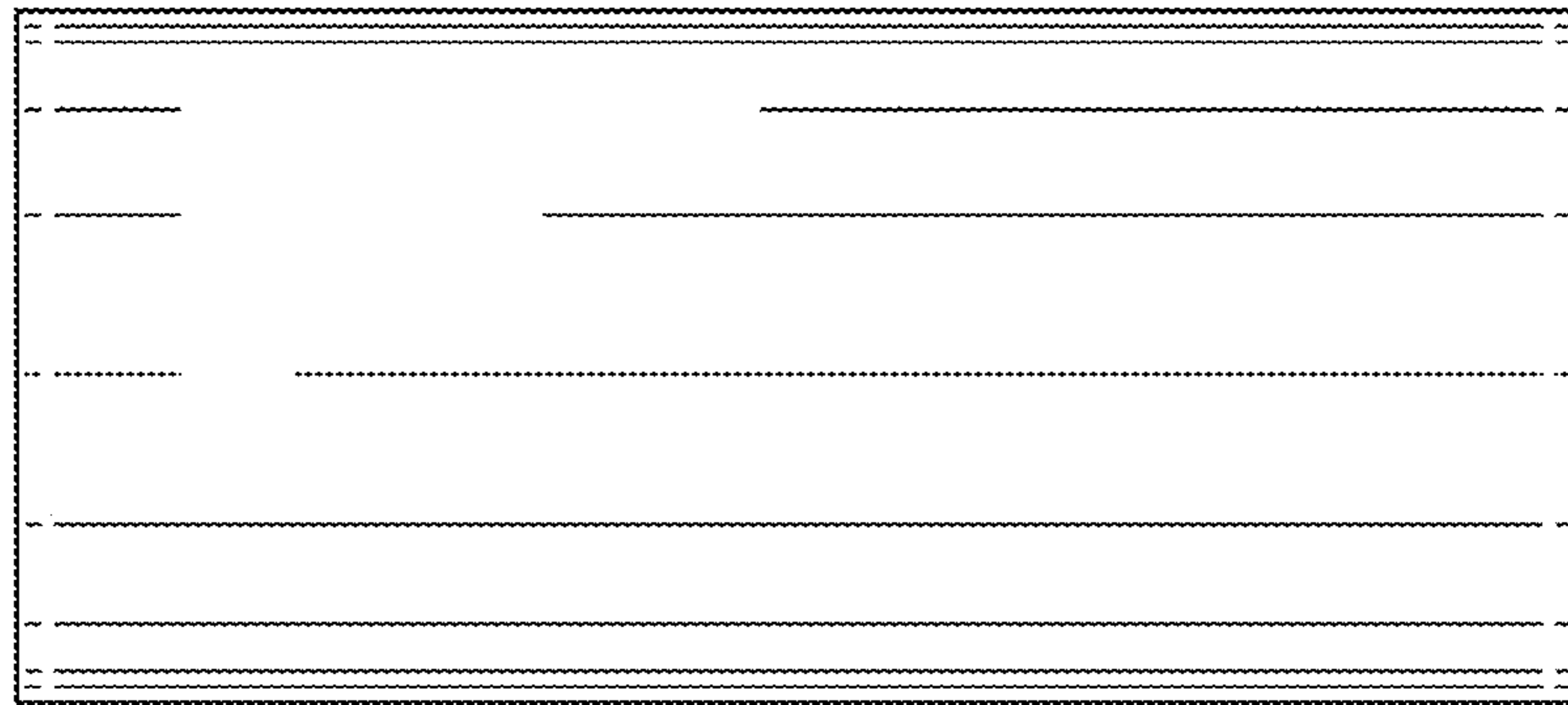


Fig. 3

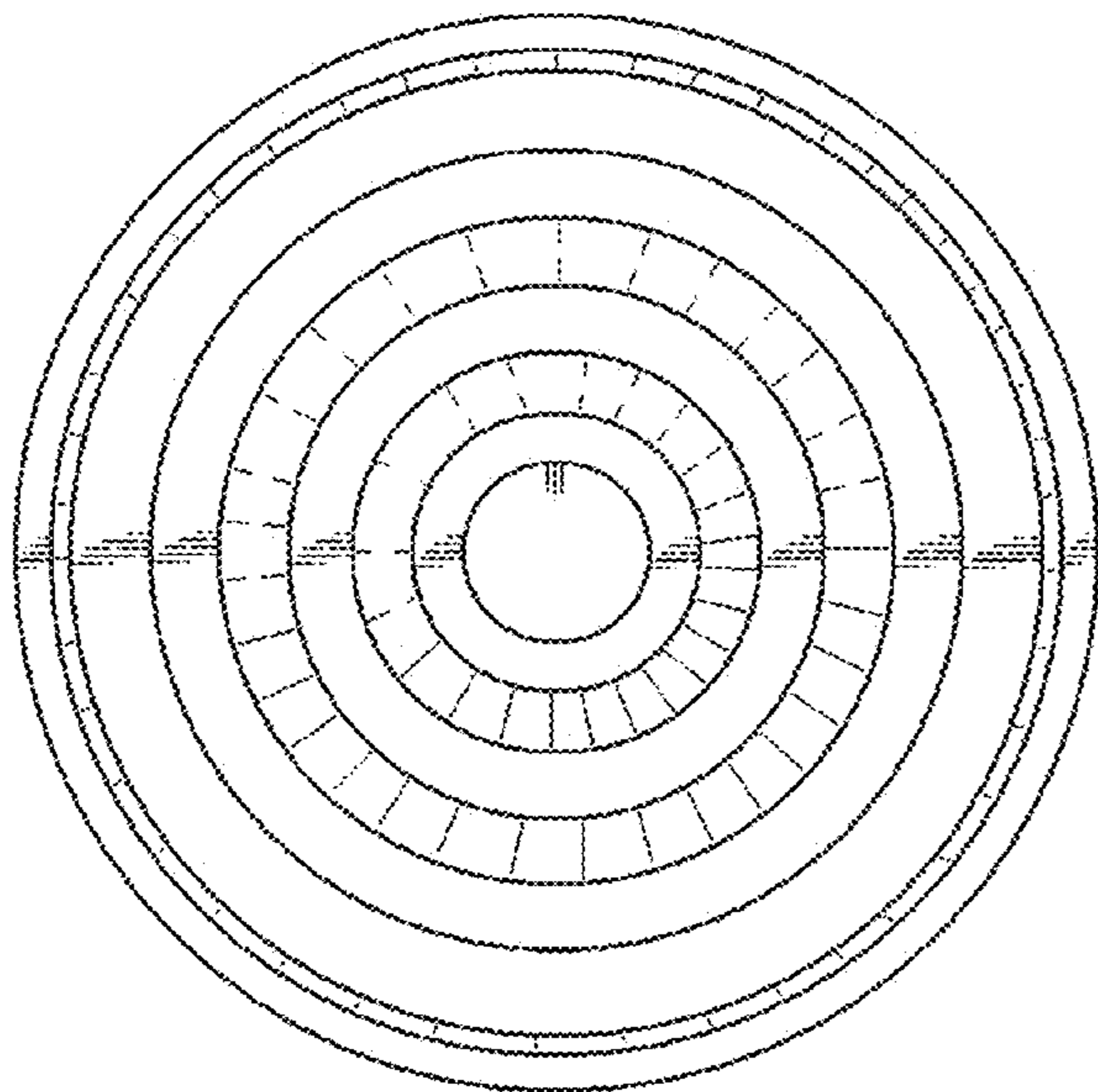


Fig. 4

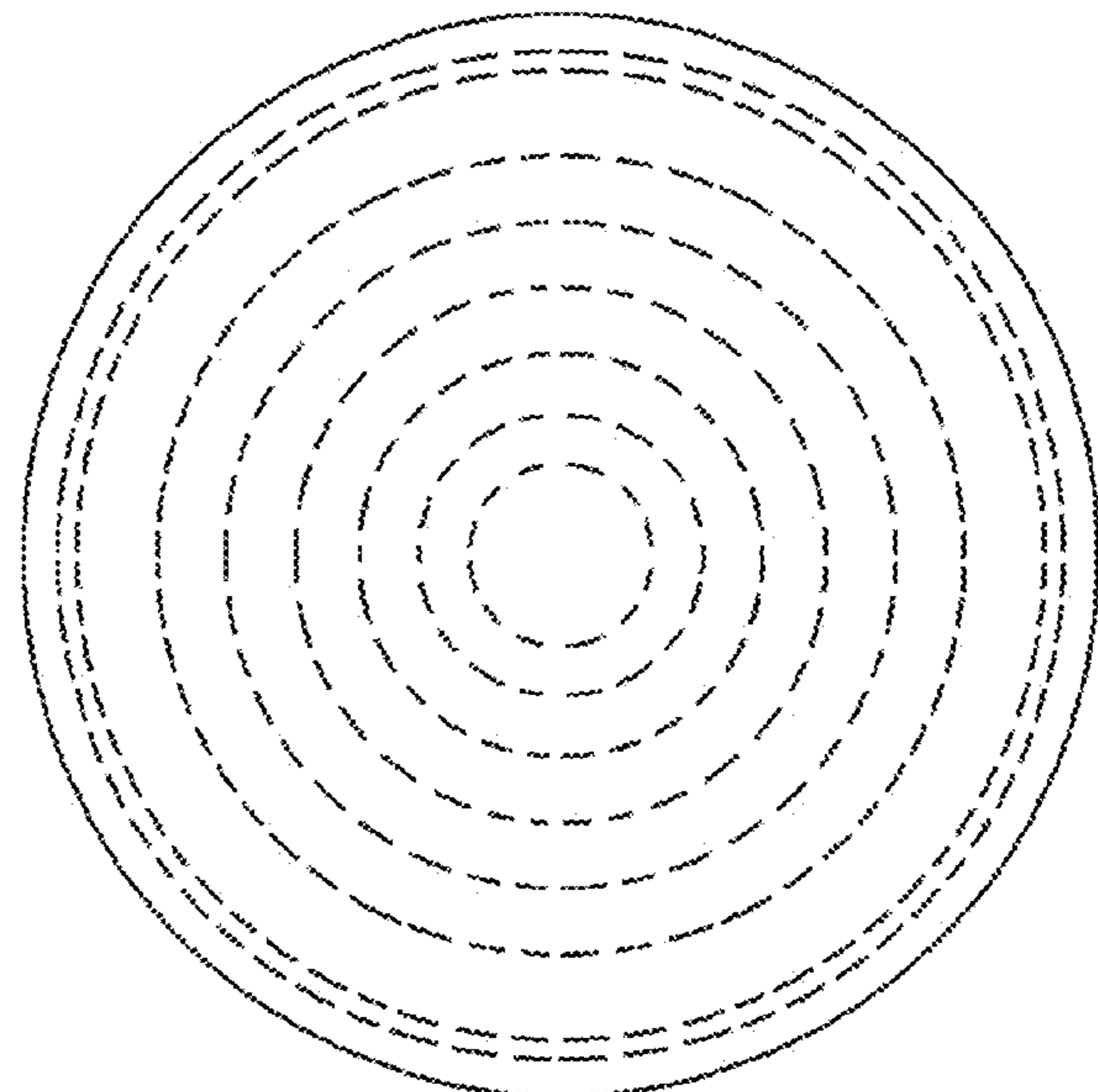


Fig. 5

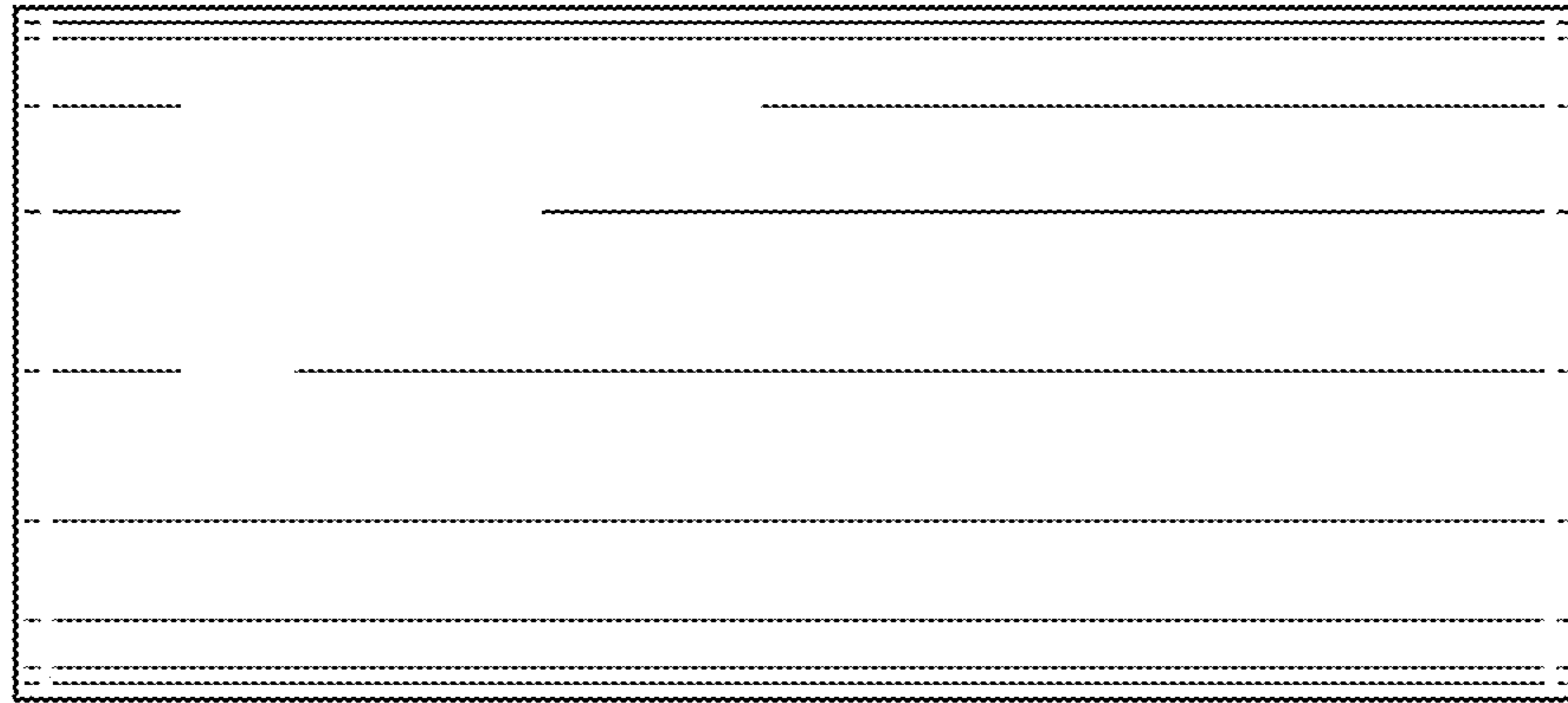


Fig. 6

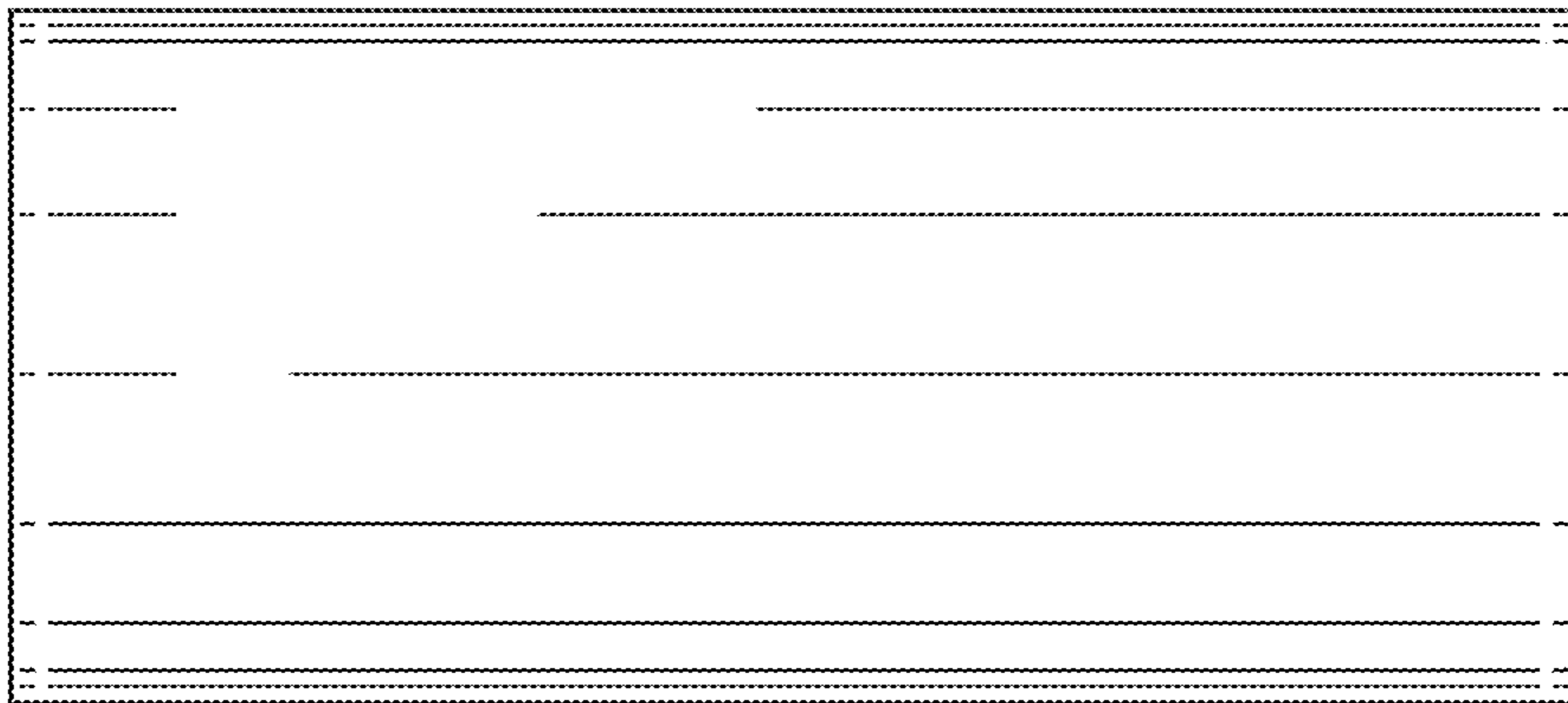


Fig. 7