



US00D974691S

(12) **United States Design Patent**  
**Wan**

(10) **Patent No.:** **US D974,691 S**  
(45) **Date of Patent:** **\*\* Jan. 3, 2023**

(54) **MECHANIC CREEPER MAT**

(71) Applicant: **Chenglei Wan**, Changzhou (CN)

(72) Inventor: **Chenglei Wan**, Changzhou (CN)

(\*\*) Term: **15 Years**

(21) Appl. No.: **29/778,086**

(22) Filed: **Apr. 9, 2021**

(51) **LOC (14) Cl.** ..... **12-02**

(52) **U.S. Cl.**

USPC ..... **D34/23**

(58) **Field of Classification Search**

USPC ..... D34/12, 14, 16, 17, 18, 23, 24, 27, 28;  
D29/124; D12/128, 133

CPC ..... B25H 3/00; B25H 5/00; A61G 1/056

See application file for complete search history.

(56) **References Cited**

**U.S. PATENT DOCUMENTS**

D242,909 S *	1/1977	Miller	.....	D34/23
D576,374 S *	9/2008	Whiteside	.....	D34/23
D856,621 S *	8/2019	Liu	.....	D34/23
2016/0332483 A1 *	11/2016	Sieb	.....	B25H 5/00

**OTHER PUBLICATIONS**

Pittsburgh, announced Nov. 2020 [online], [site visited Sep. 21, 2022]. Avail from int, URL: <https://www.harborfreight.com/300-lb-capacity-low-profile-creeper-black-57312.html> (Year: 2020).\*

Torin, announced May 2020 [online], [site visited Sep. 21, 2022]. Avail from int, URL: <https://www.amazon.com/Torin-ATRP6240B-Plastic-Rolling-Creeper/dp/B087YVNHSR> (Year: 2020).\*  
JEGS, announced 2022 [online], [site visited Sep. 21, 2022]. Avail from int, URL: <https://www.jegs.com/i/JEGS/555/81164K/10002/-1> (Year: 2022).\*  
ProLift, announced Feb. 2022 [online], [site visited Sep. 21, 2022]. Avail from int, URL: [https://www.amazon.com/dp/B09SRJPWT1/ref=sspa\\_dk\\_detail\\_2](https://www.amazon.com/dp/B09SRJPWT1/ref=sspa_dk_detail_2) (Year: 2022).\*  
AAK Viking, announced Jun. 2017 [online], [site visited Sep. 21, 2022]. Avail from int, URL: <https://www.amazon.com/AFF-6-Wheel-Ergonomic-Mechanic-Headrest/dp/B0741H8939> (Year: 2017).\*

\* cited by examiner

*Primary Examiner* — Cynthia Ramirez

*Assistant Examiner* — Tamara L Hahn

(74) *Attorney, Agent, or Firm* — Jeenam Park

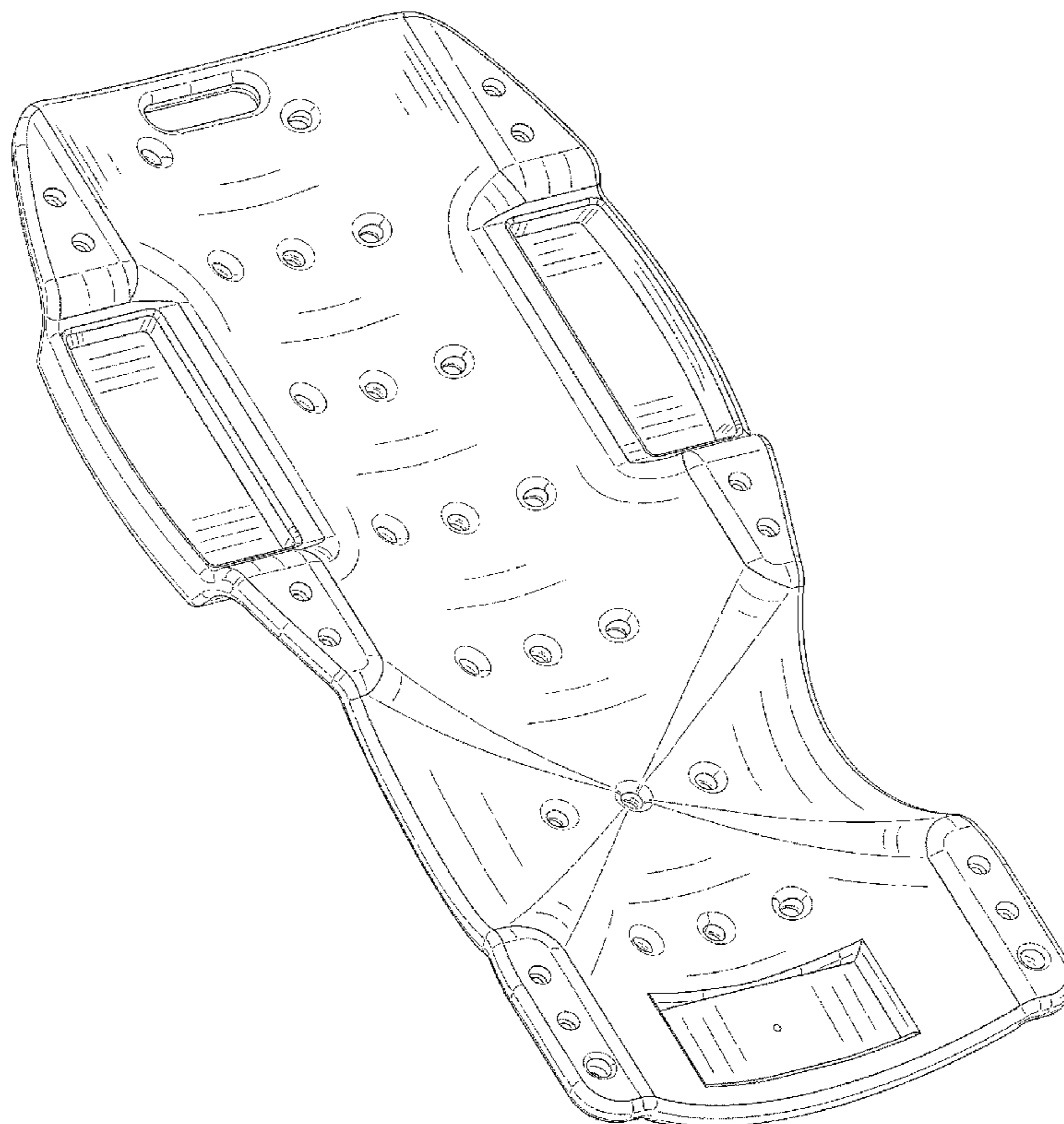
(57) **CLAIM**

The ornamental design for a mechanic creeper mat, as shown and described.

**DESCRIPTION**

FIG. 1 is a perspective view of a mechanic creeper mat showing my new design;  
FIG. 2 is another perspective view thereof;  
FIG. 3 is a front view thereof;  
FIG. 4 is a back view thereof;  
FIG. 5 is a left side view thereof;  
FIG. 6 is a right side view thereof;  
FIG. 7 is a top plan view thereof; and,  
FIG. 8 is a bottom plan view thereof.

**1 Claim, 8 Drawing Sheets**



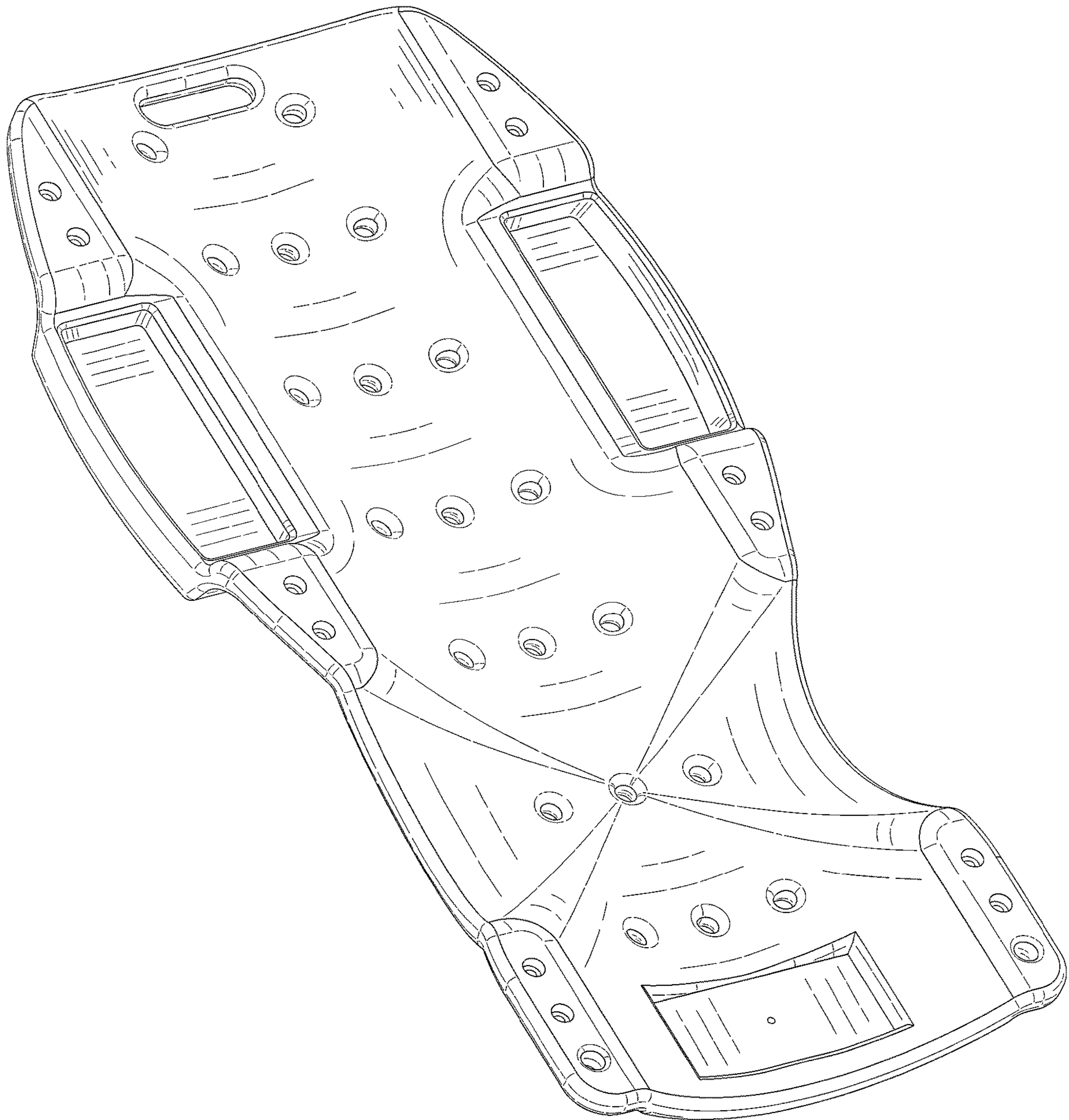


FIG. 1



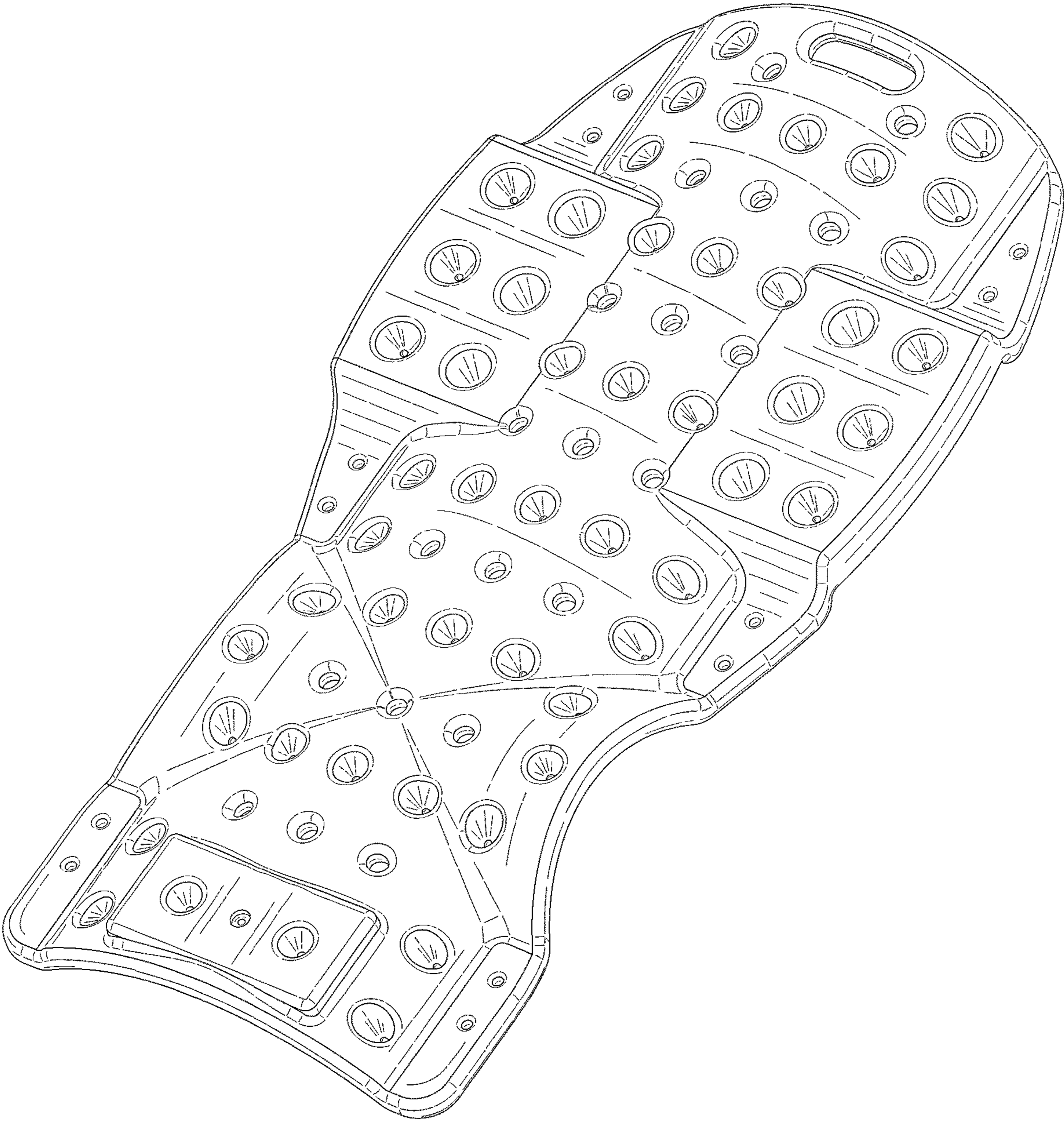


FIG. 2

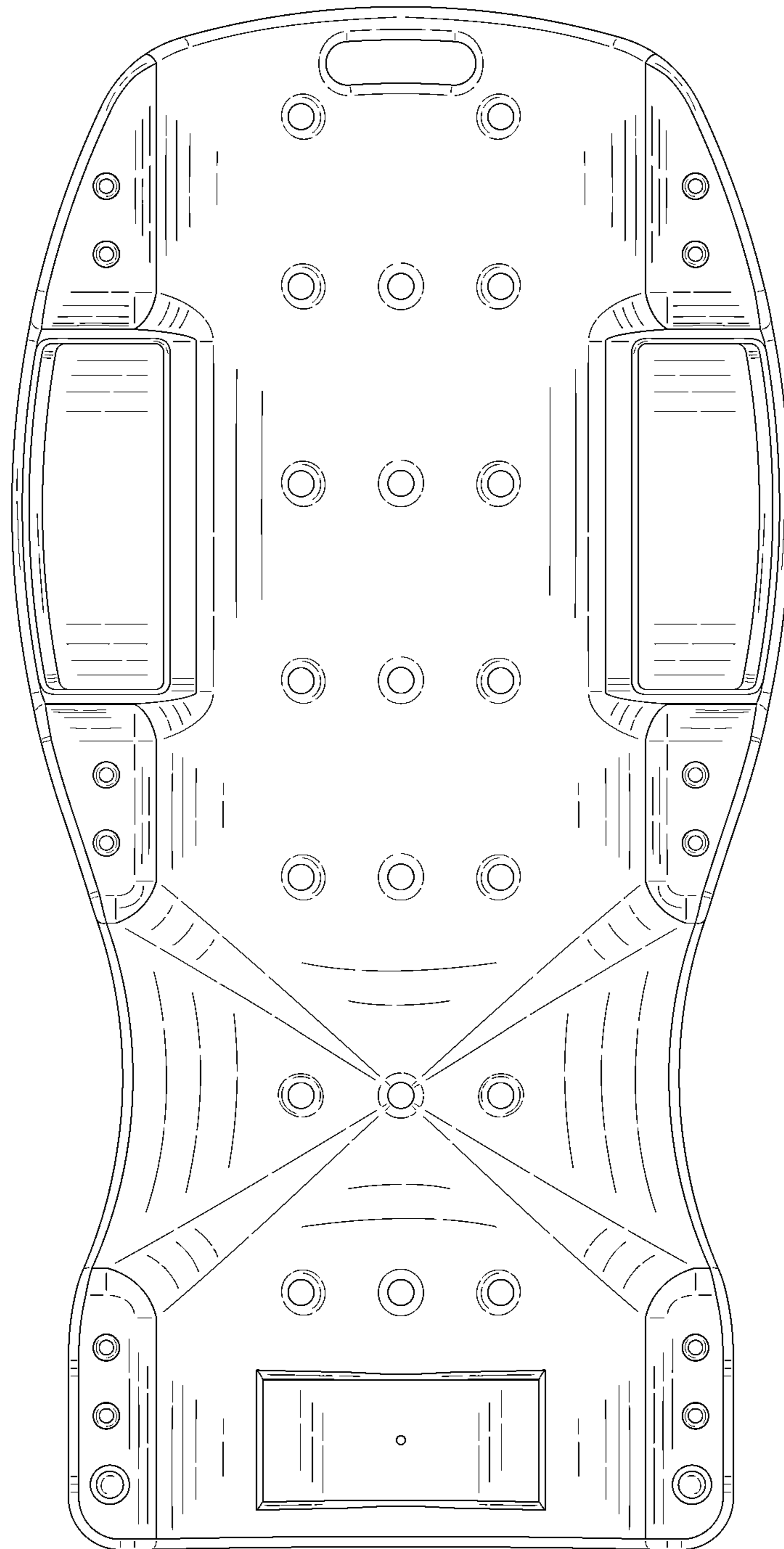


FIG. 3

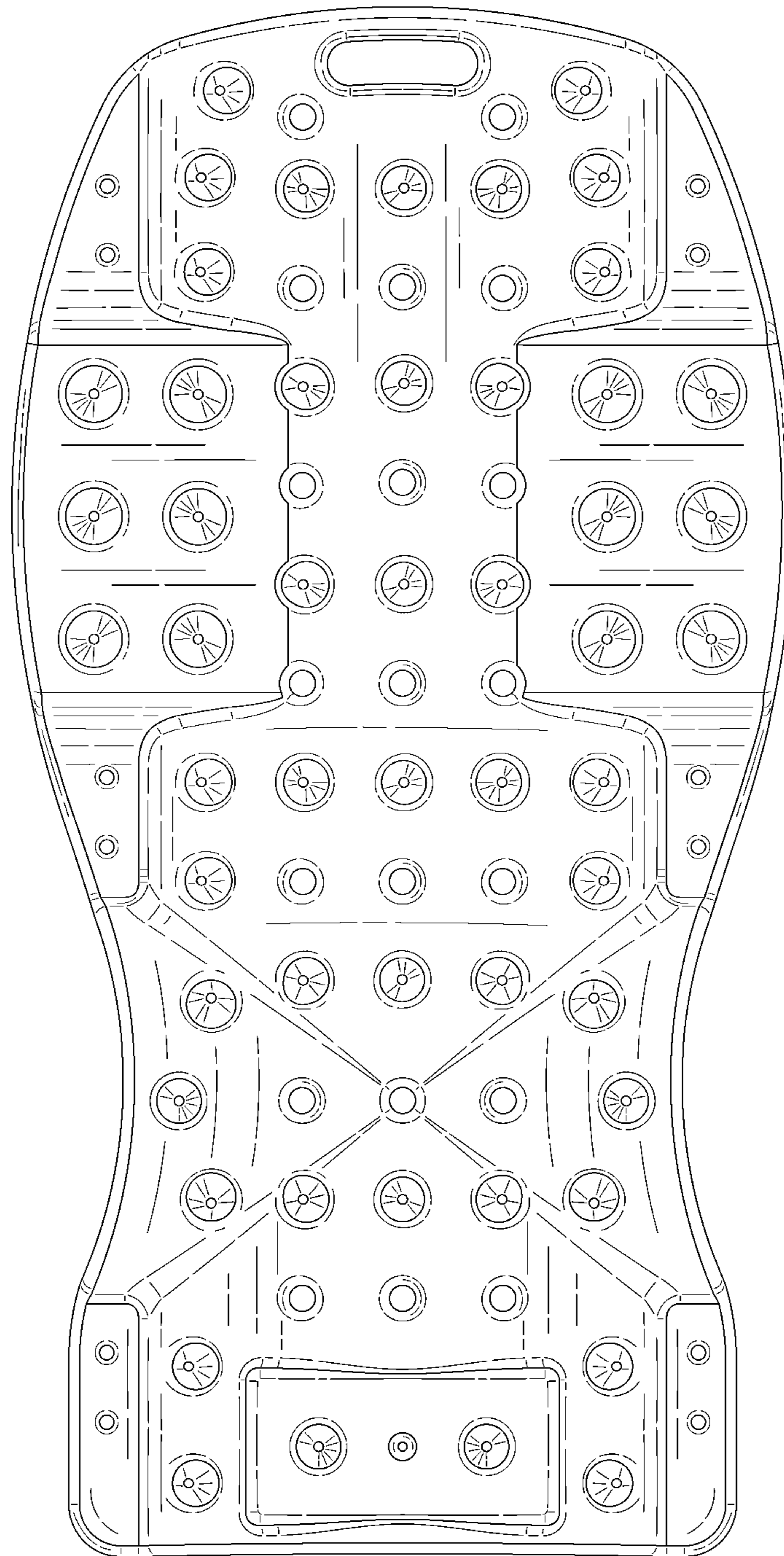


FIG. 4

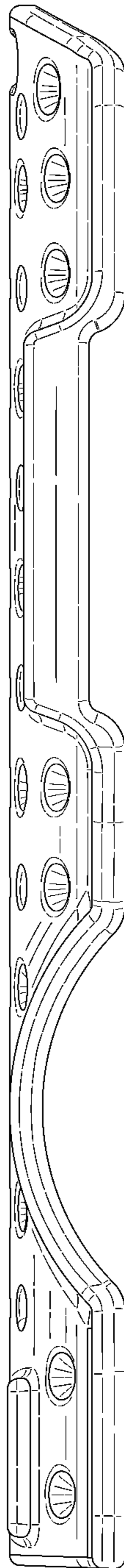


FIG. 5

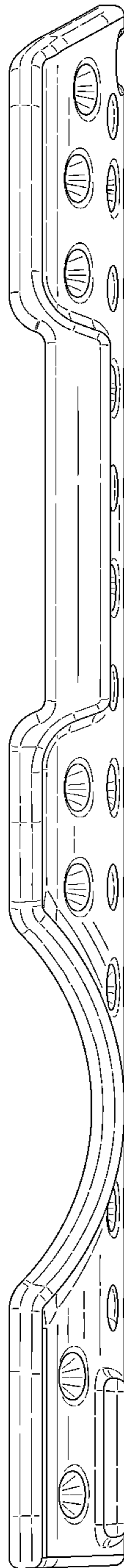


FIG. 6



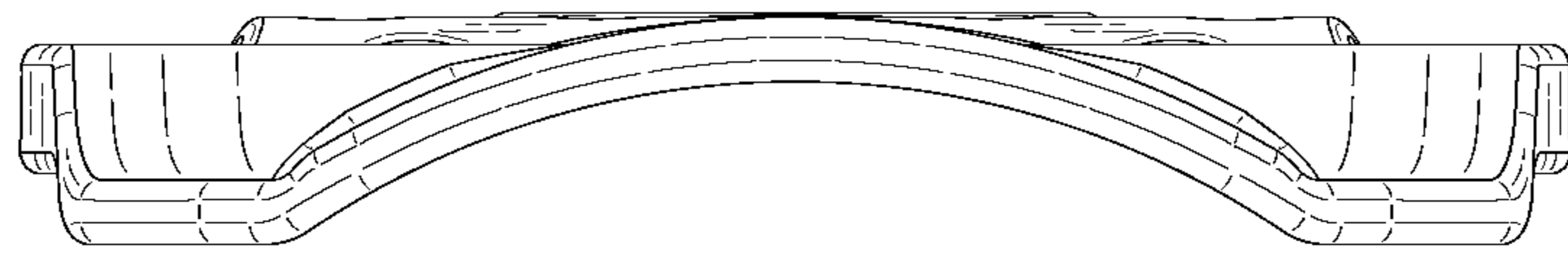


FIG. 7



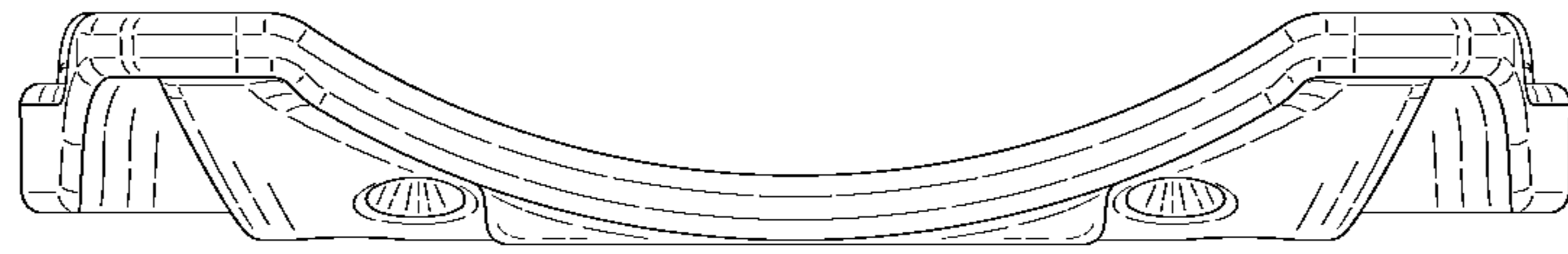


FIG. 8